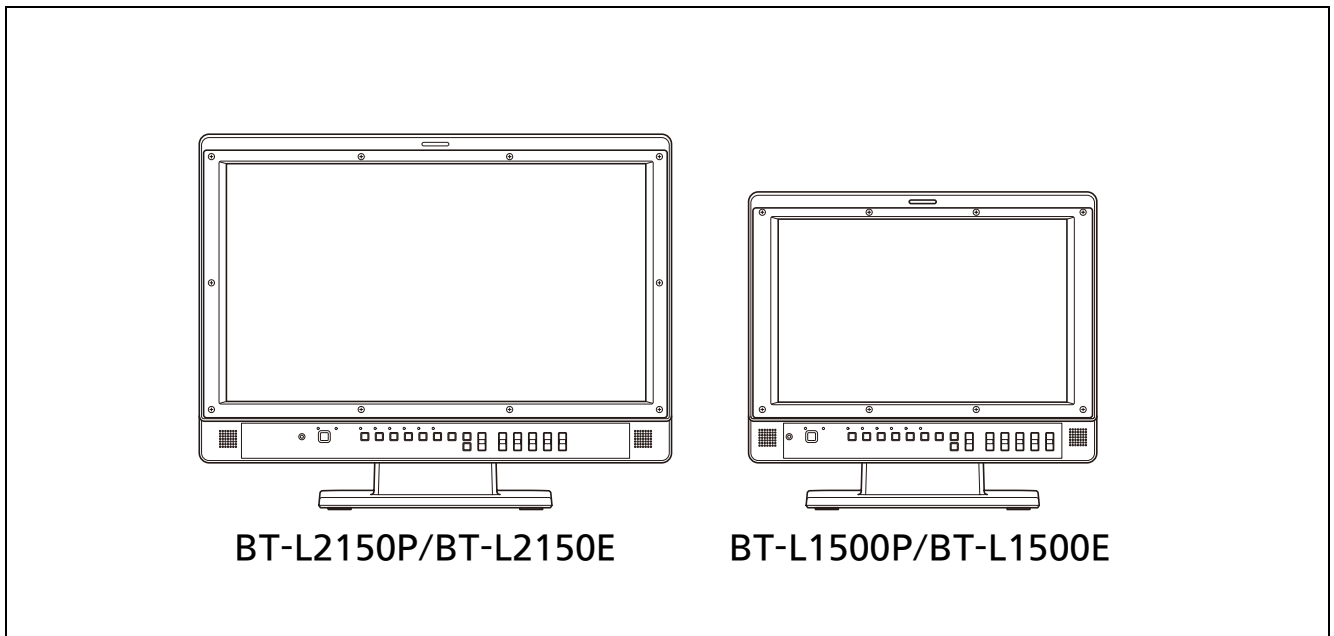


## Operating Instructions

LCD Video Monitor

Model No. **BT-L2150P**  
Model No. **BT-L2150E**  
Model No. **BT-L1500P**  
Model No. **BT-L1500E**



**DEUTSCH** Für Erläuterungen in Deutsch, konsultieren Sie bitte die mitgelieferte CD-ROM.

**FRANÇAIS** Pour des explications en français, veuillez vous reporter au CD-ROM fourni.

**ITALIANO** Per le istruzioni in italiano, vedere il CD-ROM in dotazione.

**ESPAÑOL** Para la explicación en español, consulte el CD-ROM suministrado.

**HDMI™**  
HIGH DEFINITION MULTIMEDIA INTERFACE

Before operating this product, please read the instructions carefully and save this manual for future use.

# Read this first ! (for BT-L2150P/1500P)



**CAUTION:** TO REDUCE THE RISK OF ELECTRIC SHOCK, DO NOT REMOVE COVER (OR BACK). NO USER-SERVICEABLE PARTS INSIDE. REFER SERVICING TO QUALIFIED SERVICE PERSONNEL.



The lightning flash with arrowhead symbol, within an equilateral triangle, is intended to alert the user to the presence of uninsulated "dangerous voltage" within the product's enclosure that may be of sufficient magnitude to constitute a risk of electric shock to persons.



The exclamation point within an equilateral triangle is intended to alert the user to the presence of important operating and maintenance (servicing) instructions in the literature accompanying the appliance.

## **WARNING:**

This equipment must be grounded. To ensure safe operation, the three-pin plug must be inserted only into a standard three-pin power outlet which is effectively grounded through normal household wiring. Extension cords used with the equipment must have three cores and be correctly wired to provide connection to the ground. Wrongly wired extension cords are a major cause of fatalities. The fact that the equipment operates satisfactorily does not imply that the power outlet is grounded or that the installation is completely safe. For your safety, if you are in any doubt about the effective grounding of the power outlet, please consult a qualified electrician.

## **WARNING:**

- To reduce the risk of fire or shock hazard, do not expose this equipment to rain or moisture.
- To reduce the risk of fire or shock hazard, keep this equipment away from all liquids. Use and store only in locations which are not exposed to the risk of dripping or splashing liquids, and do not place any liquid containers on top of the equipment.

## **WARNING:**

Always keep the tilt stand screws and protective panel screws out of the reach of infants and small children.

## **CAUTION:**

The mains plug of the power supply cord shall remain readily operable. The AC receptacle (mains socket outlet) shall be installed near the equipment and shall be easily accessible. To completely disconnect this equipment from the AC mains, disconnect the power cord plug from the AC receptacle.

## **CAUTION:**

In order to maintain adequate ventilation, do not install or place this unit in a bookcase, built-in cabinet or any other confined space. To prevent risk of electric shock or fire hazard due to overheating, ensure that curtains and any other materials do not obstruct the ventilation.

## **CAUTION:**

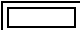
To reduce the risk of fire or shock hazard and annoying interference, use the recommended accessories only.

## **CAUTION:**

This apparatus can be operated at a voltage in the range of 100 - 240 V AC. Voltages other than 120 V are not intended for U.S.A. and Canada.

## **CAUTION:**

Excessive sound pressure from earphones and headphones can cause hearing loss.

 indicates safety information.

## **Notice (U.S.A. only):**

Disposal may be regulated in your community due to Environmental considerations. For disposal or recycling information, please visit Panasonic website: <http://www.panasonic.com/environmental> or call 1-888-769-0149.

### FCC NOTICE (USA)

This device complies with part 15 of the FCC Rules. Operation is subject to the following two conditions: (1) This device may not cause harmful interference, and (2) this device must accept any interference received, including interference that may cause undesired operation

#### CAUTION:

This equipment has been tested and found to comply with the limits for a class A digital device, pursuant to Part 15 of the FCC Rules. These limits are designed to provide reasonable protection against harmful interference when the equipment is operated in a commercial environment. This equipment generates, uses, and can radiate radio frequency energy and, if not installed and used in accordance with the instruction manual, may cause harmful interference to radio communications.

Operation of this equipment in a residential area is likely to cause harmful interference in which case the user will be required to correct the interference at his own expense.

#### Warning:

To assure continued FCC emission limit compliance, the user must use only shielded interface cables when connecting to external units. Also, any unauthorized changes or modifications to this equipment could void the user's authority to operate it.

 indicates safety information.

## IMPORTANT SAFETY INSTRUCTIONS

- 1) Read these instructions.
- 2) Keep these instructions.
- 3) Heed all warnings.
- 4) Follow all instructions.
- 5) Do not use this apparatus near water.
- 6) Clean only with dry cloth.
- 7) Do not block any ventilation openings. Install in accordance with the manufacturer's instructions.
- 8) Do not install near any heat sources such as radiators, heat registers, stoves, or other apparatus (including amplifiers) that produce heat.
- 9) Do not defeat the safety purpose of the polarized or grounding-type plug. A polarized plug has two blades with one wider than the other. A grounding-type plug has two blades and a third grounding prong. The wide blade or the third prong are provided for your safety. If the provided plug does not fit into your outlet, consult an electrician for replacement of the obsolete outlet.
- 10) Protect the power cord from being walked on or pinched particularly at plugs, convenience receptacles, and the point where they exit from the apparatus.
- 11) Only use attachments/accessories specified by the manufacturer.
- 12) Use only with the cart, stand, tripod, bracket, or table specified by the manufacturer, or sold with the apparatus. When a cart is used, use caution when moving the cart/apparatus combination to avoid injury from tip-over.
- 13) Unplug this apparatus during lightning storms or when unused for long periods of time.
- 14) Refer all servicing to qualified service personnel. Servicing is required when the apparatus has been damaged in any way, such as power-supply cord or plug is damaged, liquid has been spilled or objects have fallen into the apparatus, the apparatus has been exposed to rain or moisture, does not operate normally, or has been dropped.



# Read this first ! (for BT-L2150E/1500E)

**WARNING:**

This equipment must be earthed.

To ensure safe operation, the three-pin plug must be inserted only into a standard three-pin power point which is effectively earthed through normal household wiring.

Extension cords used with the equipment must have three cores and be correctly wired to provide connection to the earth. Wrongly wired extension cords are a major cause of fatalities. The fact that the equipment operates satisfactorily does not imply that the power point is earthed or that the installation is completely safe. For your safety, if you are in any doubt about the effective earthing of the power point, please consult a qualified electrician.

**WARNING:**

- To reduce the risk of fire or shock hazard, do not expose this equipment to rain or moisture.
- To reduce the risk of fire or shock hazard, keep this equipment away from all liquids. Use and store only in locations which are not exposed to the risk of dripping or splashing liquids, and do not place any liquid containers on top of the equipment.

**WARNING:**

Always keep the tilt stand screws and protective panel screws out of the reach of infants and small children.

**CAUTION:**

Do not remove panel covers by unscrewing them. To reduce the risk of electric shock, do not remove covers. No user serviceable parts inside. Refer servicing to qualified service personnel.

**CAUTION:**

The mains plug of the power supply cord shall remain readily operable.

The AC receptacle (mains socket outlet) shall be installed near the equipment and shall be easily accessible. To completely disconnect this equipment from the AC mains, disconnect the power cord plug from the AC receptacle.

**CAUTION:**

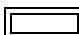
To reduce the risk of fire or shock hazard and annoying interference, use the recommended accessories only.

**CAUTION:**

In order to maintain adequate ventilation, do not install or place this unit in a bookcase, built-in cabinet or any other confined space. To prevent risk of electric shock or fire hazard due to overheating, ensure that curtains and any other materials do not obstruct the ventilation.

**CAUTION:**

Excessive sound pressure from earphones and headphones can cause hearing loss.

 indicates safety information.

EEE Yönetmeliğine Uygundur.  
EEE Complies with Directive of Turkey.

## Caution for AC Mains Lead

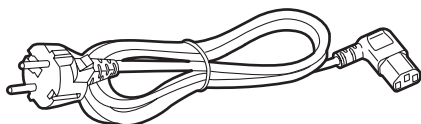
**FOR YOUR SAFETY PLEASE READ THE FOLLOWING TEXT CAREFULLY.**

This product is equipped with 2 types of AC mains cable. One is for continental Europe, etc. and the other one is only for U.K.

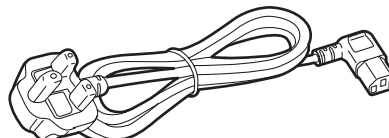
Appropriate mains cable must be used in each local area, since the other type of mains cable is not suitable.

**FOR CONTINENTAL EUROPE, ETC.**

Not to be used in the U.K.



**FOR U.K. ONLY**



**FOR U.K. ONLY**

This appliance is supplied with a moulded three pin mains plug for your safety and convenience.

A 10 amp fuse is fitted in this plug.

Should the fuse need to be replaced please ensure that the replacement fuse has a rating of 10 amps and that it is approved by ASTA or BSI to BS1362.

Check for the ASTA mark  or the BSI mark  on the body of the fuse.

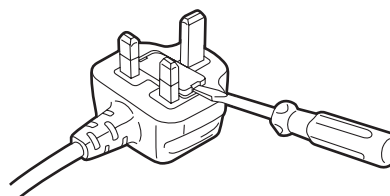
If the plug contains a removable fuse cover you must ensure that it is refitted when the fuse is replaced.

If you lose the fuse cover the plug must not be used until a replacement cover is obtained.

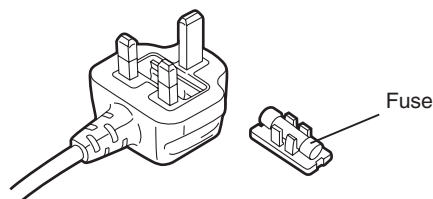
A replacement fuse cover can be purchased from your local Panasonic Dealer.

**How to replace the fuse**

1. Open the fuse compartment with a screwdriver.



2. Replace the fuse.



 indicates safety information.

Pursuant to at the directive 2004/108/EC, article 9(2)

**Panasonic Testing Centre**

**Panasonic Service Europe, a division of Panasonic Marketing Europe GmbH**

Winsbergring 15, 22525 Hamburg, F.R. Germany

# Read this first ! (for BT-L2150E/1500E) (continued)

## EMC NOTICE FOR THE PURCHASER/USER OF THE APPARATUS

### 1. Applicable standards and operating environment

The apparatus is compliant with:

- standards EN55103-1 and EN55103-2 2009, and
- electromagnetic environments E1, E2, E3 and E4.

### 2. Pre-requisite conditions to achieving compliance with the above standards

#### <1> Peripheral equipment to be connected to the apparatus and special connecting cables

- The purchaser/user is urged to use only equipment which has been recommended by us as peripheral equipment to be connected to the apparatus.
- The purchaser/user is urged to use only the connecting cables described below.

#### <2> For the connecting cables, use shielded cables which suit the intended purpose of the apparatus.

- Video signal connecting cables  
Use double shielded coaxial cables, which are designed for 75-ohm type high-frequency applications, for SDI (Serial Digital Interface).  
Coaxial cables, which are designed for 75-ohm type high-frequency applications, are recommended for analog video signals.
- Audio signal connecting cables  
If your apparatus supports AES/EBU serial digital audio signals, use cables designed for AES/EBU.  
Use shielded cables, which provide quality performance for high-frequency transmission applications, for analog audio signals.
- Other connecting cables (IEEE1394, USB)  
Use shielded cables, which provide quality performance for high-frequency applications, as connecting cables.
- When connecting to the DVI signal terminal, use a cable with a ferrite core.
- If your apparatus is supplied with ferrite core(s), they must be attached on cable(s) following instructions in this manual.

### 3. Performance level

The performance level of the apparatus is equivalent to or better than the performance level required by these standards.

However, the apparatus may be adversely affected by interference if it is being used in an EMC environment, such as an area where strong electromagnetic fields are generated (by the presence of signal transmission towers, cellular phones, etc.). In order to minimize the adverse effects of the interference on the apparatus in cases like this, it is recommended that the following steps be taken with the apparatus being affected and with its operating environment:

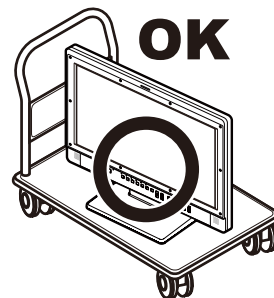
1. Place the apparatus at a distance from the source of the interference.
2. Change the direction of the apparatus.
3. Change the connection method used for the apparatus.
4. Connect the apparatus to another power outlet where the power is not shared by any other appliances.

## Transportation precautions

Do not try to lift the monitor by grabbing the LCD panel.



Do not place the monitor face down during transportation to prevent damaging it. Keep it upright.



Do not expose the LCD panel to strong pressure or pressure from pointed objects. Take care especially during transportation.

Exposing the LCD panel to strong pressure may result in blurring or other damage.

# About this manual

---

- The BT-L2150P/2150E and the BT-L1500P/1500E is referred to as “the unit” in this manual.
- The images and diagrams used in this manual are for reference purposes and may differ from the actual product and displays.
- HDMI, the HDMI logo, and High-Definition Multimedia Interface are trademarks or registered trademarks of HDMI Licensing LLC in the United States and other countries.
- Adobe® Reader® is a trademark of Adobe Systems Incorporated.
- Page references are indicated as “(→ page 00)” in this manual.

## Precautions for Use

---

- The LCD monitor is manufactured with high-precision technology and has an effective pixel count of over 99.99 %. However, less than 0.01 % of pixels may be stuck or dead in some cases. This is not a malfunction and has no effect on the recorded images.
- Wiping the protective panel with a hard cloth, or rubbing it vigorously will scratch the surface.
- If a still image is displayed for an extended period of time, it may generate a temporary afterimage (phosphor burn-in). (However, such images can be removed by displaying normal video for a while.)
- The response speed and brightness of liquid crystal vary with ambient temperatures.
- Do not install the unit in a place exposed to direct sunlight, as it may damage the cabinet and the LCD screen.
- Do not install the unit in locations where enough space cannot be provided around it as heat may build up inside preventing normal operation. Be sure to provide enough space around the unit.
- Exposing the LCD screen to intense light sources will impair its characteristics and lower image quality.
- In an environment exposed to drastic temperature fluctuations, condensation may build up on and inside the LCD screen. This may lower the quality of the screen and may damage it.
- Some video images may appear blurred on the screen.
- Leaving the unit in a location exposed to high temperature and humidity for an extended period of time may damage the LCD screen and cause blurring.
- Streaks of light may be seen in the area between the edge of the screen and the frame; this is normal and not a malfunction.
- The LCD panel is covered by a protective panel to protect it from damage during transportation. Remove the protective panel before use.
- This unit does not support VIERA Link. If the unit is connected to a VIERA-Link-compatible device via an HDMI cable, VIERA Link functions on the other device may not operate properly.

# Contents

Read this first ! (for BT-L2150P/1500P) .....	2	Menu configuration .....	18
Read this first ! (for BT-L2150E/1500E) .....	4	MARKER .....	18
Transportation precautions .....	6	MARKER types .....	19
About this manual .....	7	VIDEO CONFIG .....	20
Precautions for Use .....	7	SYSTEM CONFIG.....	21
Standard accessories .....	8	GPI .....	21
About PDF manuals .....	8	INPUT SELECT.....	21
Opening the Operating Instructions .....	8	AUDIO .....	23
Outline .....	9	DISPLAY SETUP .....	23
Dimensions .....	10	CONTROL.....	23
Controls and Their Functions .....	11	HOURS METER.....	24
Video monitor unit .....	11	<b>REMOTE Specifications</b> .....	<b>25</b>
Front panel .....	12	GPI terminal .....	25
Rear panel.....	13	<b>Detaching and Attaching the Protective Panel</b> . . .	<b>26</b>
<b>Power Supply</b> .....	<b>14</b>	Detaching the panel .....	26
Connecting and fixing the power cable .....	14	Attaching the panel.....	26
<b>Adjusting the Monitor Angle</b> .....	<b>14</b>	<b>Detaching and Attaching the Tilt Stand</b> . . . . .	<b>27</b>
<b>How to Use the On Screen Menu</b> .....	<b>15</b>	Detaching the tilt stand.....	27
Input signal status .....	15	Attaching the tilt stand.....	27
Picture adjusting buttons/VOLUME button status .	15	<b>Maintenance Inspections</b> .....	<b>27</b>
Sharpness display.....	15	<b>Maintenance</b> .....	<b>27</b>
Menu display .....	16	<b>Specifications</b> .....	<b>28</b>
Closed caption (CC) display.....	16	<b>INDEX</b> .....	<b>30</b>
Menu operations .....	17		
<b>Main Menu</b> .....	<b>18</b>		

## Standard accessories

Power cable x 1 (BT-L2150P/1500P)  
Power cable x 2 (BT-L2150E/1500E)  
CD-ROM x 1

### ■ The following supplied accessories are preinstalled on the unit.

Protective panel x 1	Tilt stand x 1
Protective panel screws x 10 (BT-L2150P/BT-L2150E)	Tilt stand screws x 4
Protective panel screws x 8 (BT-L1500P/BT-L1500E)	

- After removing the product from the package, discard the packaging material properly.

## About PDF manuals

Supplied CD-ROM is provided with Operating Instructions which are in the form of a PDF (Portable Document Format) file.

- You need to have the Adobe® Reader® installed to open and view PDF files.
- Download the Adobe® Reader® properly to your computer from the Adobe web site (<http://www.adobe.com/>).
- Refer to the Help menu for details about Adobe® Reader®.

### Opening the Operating Instructions

1. Insert the CD-ROM disc into the CD-ROM drive.

2. If the software installation screen opens, click [Cancel] to cancel the installation. To open the CD-ROM, double-click the My Computer icon, rightclick the CD-ROM drive icon, and then click [Open] in the displayed shortcut menu.

3. Double-click on the [INDEX.pdf] file on the CD-ROM.

- The Adobe® Reader® will start up, and a list of contents for the Operating Instructions will be displayed.

4. Click on a desired document name.

- The Operating Instructions selected will open.



# Outline

---

Designed especially for use in professional broadcasting, the BT-L2150P/2150E and the BT-L1500P/1500E come with a 54.6 cm (21.5-inch) and 39.1 cm (15.4-inch) wide LCD screen, respectively.

## ■ High performance panel

These monitors achieve outstanding color reproduction, a wide viewing angle, and high-speed response.

## ■ Multi-format image compatibility

- The monitors are equipped with SDI (HD/SD compatible), VIDEO, YPbPr, HDMI (HDCP compatible), PC input terminals.
- They support both NTSC and PAL TV broadcast systems.

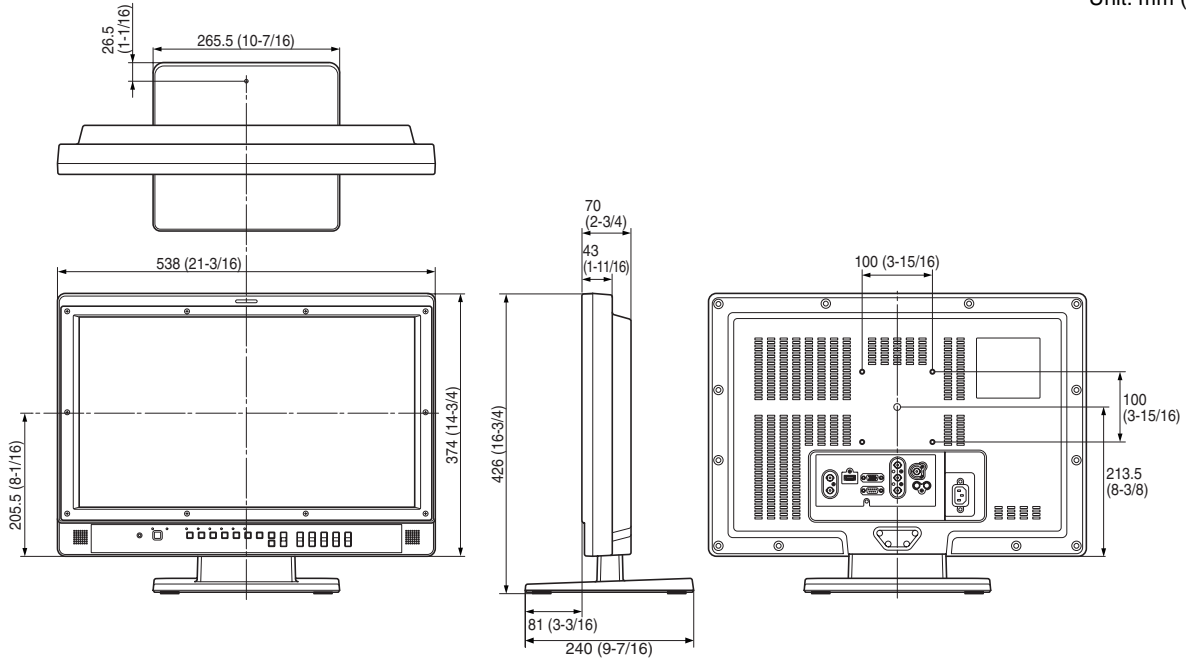
## ■ A host of functions

- Marker functions  
Aspect marker, safe area marker, center marker and other markers can be displayed in both 16:9 and 4:3 aspect ratio.
- Selectable color temperature  
Works with both 6,500 K and 9,300 K color temperatures.  
The monitors will also allow you to set the white balance at either color temperature.
- Blue-only function  
This function removes the red and green components from the video signal.
- Audio monitoring function  
Allows you to monitor audio signals embedded in SDI or HDMI signals or audio signals from the AUDIO IN terminal via speakers or headphones.
- Tally lamp  
Equipped with the tally lamp (red, green, amber) on the front.  
Each color LED can be turned on and off externally using a remote control.
- Closed caption  
During VIDEO (NTSC) input, this feature displays the closed caption information embedded in the video signal.(EIA-608 compliant)
- External Remote Control  
GPI (D-SUB 9-pin) remote input terminal enables operation from an external.
- Tilt stand  
Monitor stand comes with tilt adjustment as standard.  
This function allows you to tilt the monitor backward or forward for best viewing angle.

# Dimensions

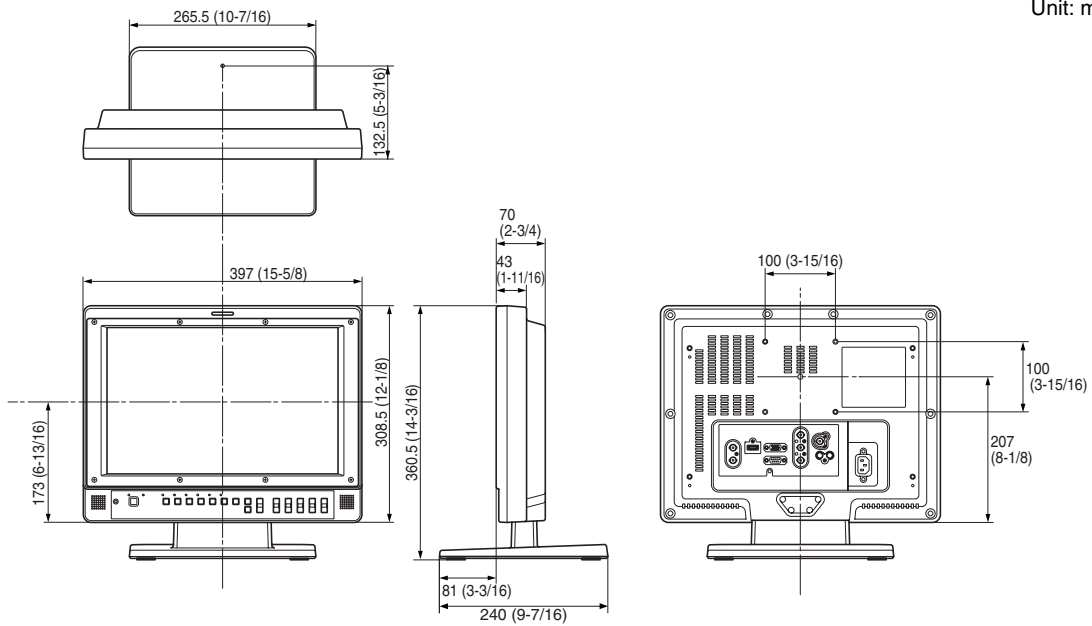
## ■ BT-L2150P/BT-L2150E

Unit: mm (inches)



## ■ BT-L1500P/BT-L1500E

Unit: mm (inches)

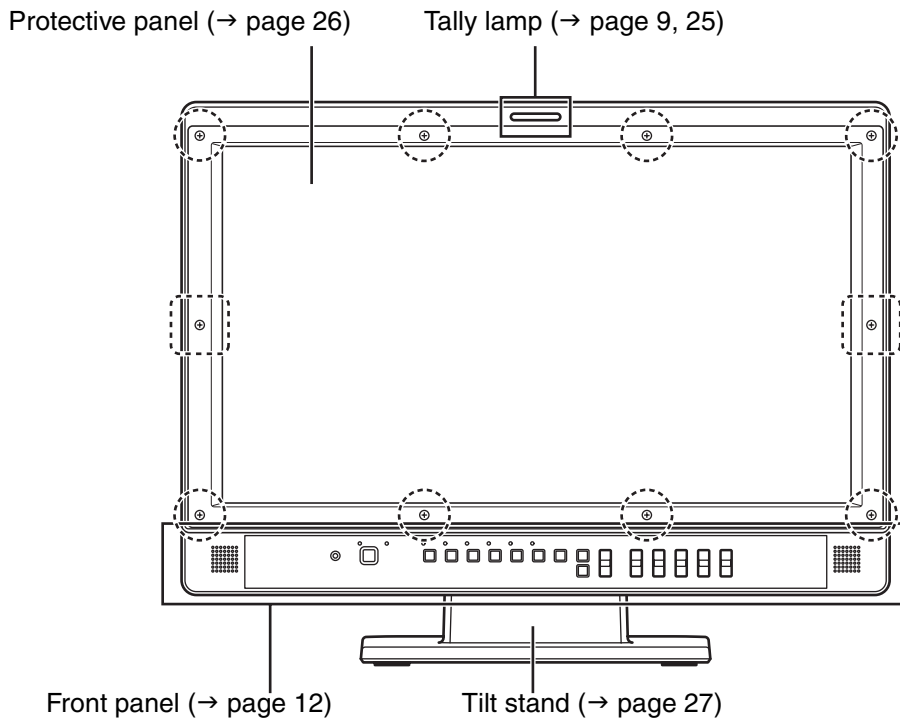


# Controls and Their Functions

## Video monitor unit

- The illustrations show examples of BT-L2150P/2150E.

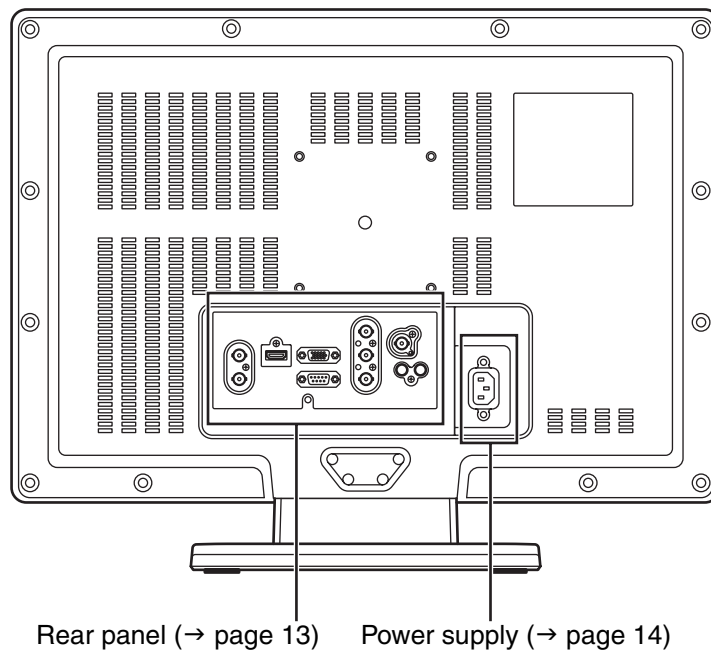
### Front



○ indicates the protective panel screw (10 screws for BT-L2150P/2150E, 8 for BT-L1500P/1500E).

□ indicates screws found only on BT-L2150P/2150E (not present on BT-L1500P/1500E).

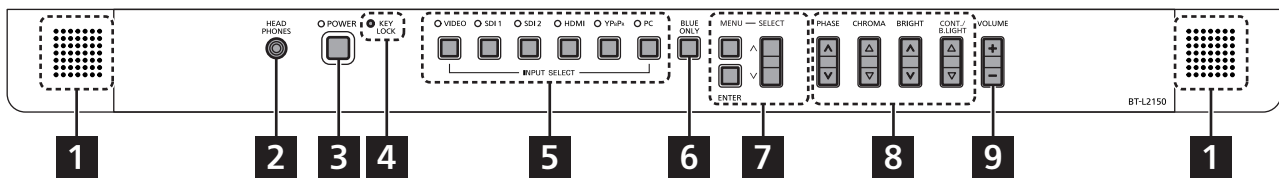
### Rear



# Controls and Their Functions (continued)

## Front panel

- The illustration shows an example of BT-L2150P/2150E.



### 1 Speakers

Outputs audio from the AUDIO IN terminal, the SDI IN terminal (embedded audio) and the HDMI terminal (embedded audio).

- Connecting headphones to the HEADPHONES output connector turns off the speakers.

### 2 HEADPHONES output connector (Stereo mini-jack M3)

Connect a pair of headphones to monitor the sound.

- The sound volume and sound quality will depend on the headphones.  
Note that plugging in a pair of headphones turns off the speakers.

### 3 POWER switch

Switches the power supply ON/OFF. When the power is on, the lamp (green) lights. Press and hold the power switch for approximately 3 seconds or longer to turn off the monitor.

### 4 KEY LOCK lamp

This lamp lights red when the key lock (KEY LOCK) is on.

### 5 INPUT SELECT buttons

Selects the signal input line. The input line for the button that is pressed is selected and the lamp (green) above the button lights.

VIDEO : VIDEO input

SDI1 : Serial digital interface input (HD/SD compatible)

SDI2 : Serial digital interface input (HD/SD compatible)

HDMI : HDMI input (HDCP compatible)

YPbPr : Analog component (YPbPr) input

PC : PC input

### 6 BLUE ONLY button

Removes the red and green components from the video signal.

### 7 MENU buttons

Use these buttons to display menus, select and adjust settings and confirm menu selections.

MENU : Press to open a menu, exit a menu or return to a previous menu.

▲ : Moves the cursor upwards and selects items.

▼ : Moves the cursor downwards and selects items.

ENTER : Press to confirm a setting.

### 8 Picture adjusting buttons

PHASE 0 - 60 (30)

CHROMA 0 - 60 (30)

BRIGHT 0 - 60 (30)

CONT./B.LIGHT

CONT. 0 - 60 (50)

B.LIGHT 0 - 60 (60)

( ) : denotes factory preset values.

Press this button to display and adjust menu settings.

▲ ▲ : Increases the adjusted value.

▼ ▼ : Decreases the adjusted value.

However, operating changes cannot be made in the following conditions.

- When control lock (KEY LOCK is ON), settings cannot be changed.
- During PC input, the PHASE and CHROMA operations are disabled.

### 9 VOLUME button

VOLUME 0 - 100 (0)

( ) : denotes factory preset value.

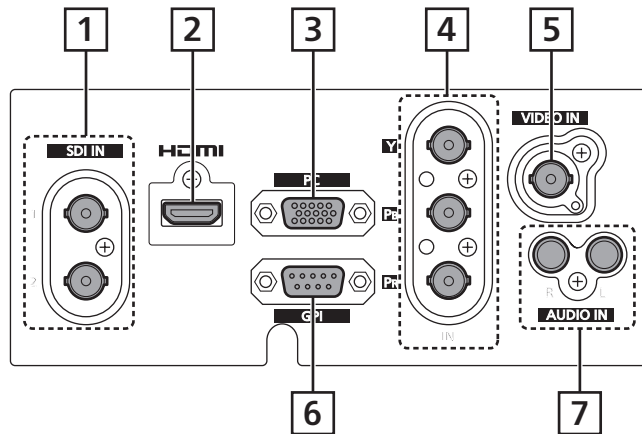
Press this button to adjust speaker volume and headphones volume.

⊕ : Increases the sound volume.

⊖ : Decreases the sound volume.

# Controls and Their Functions (continued)

## Rear panel



### 1 SDI IN (HD/SD) terminals (BNC)

- 1 : SDI input terminal (compatible with HD/SD automatic switching)
- 2 : SDI input terminal (compatible with HD/SD automatic switching)
- These terminals support embedded audio.

### 2 HDMI terminal

- HDCP compliant HDMI signal input terminal
- This terminal supports embedded audio. It is not VIERA link compliant.

### 3 PC terminal

- Input terminal for RGB signal from a connected PC

### 4 YPbPr IN terminals (BNC)

- YPbPr signal input terminals

### 5 VIDEO IN terminal (BNC)

- VIDEO signal (composite signal) input terminal

### 6 GPI terminal (D-SUB 9-pin)

- External control is possible by using a GPI signal.

### 7 AUDIO IN terminals (pin jack)

- Shared analog audio input terminals for all video input terminals.

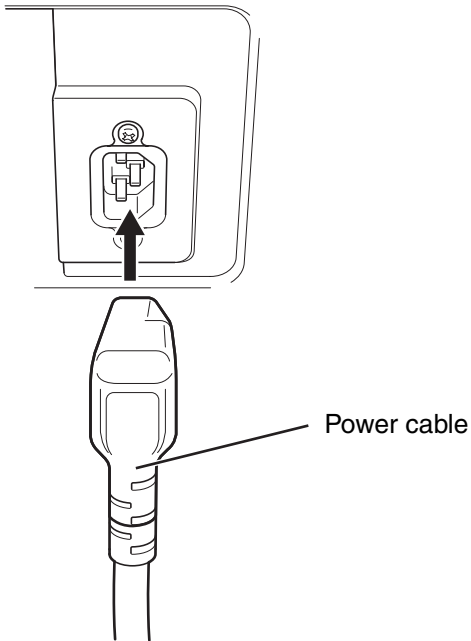
# Power Supply

---

## Connecting and fixing the power cable

1. Attach the power cable to the monitor unit.

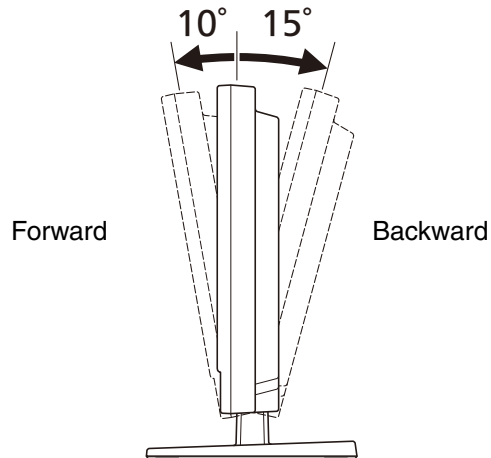
2. Connect the power cable to the power outlet.



## Adjusting the Monitor Angle

---

Tilt the unit toward the direction of the arrows to gain the monitor angle most fit for viewing.

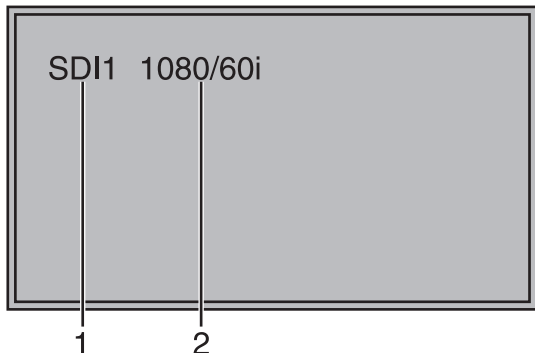


- The unit can be tilted up to 10 degrees forward and 15 degrees backward.

# How to Use the On Screen Menu

The screen displays five types of information: input signal status, picture adjusting buttons/volume button status, sharpness display, menu display and closed caption display.

## Input signal status



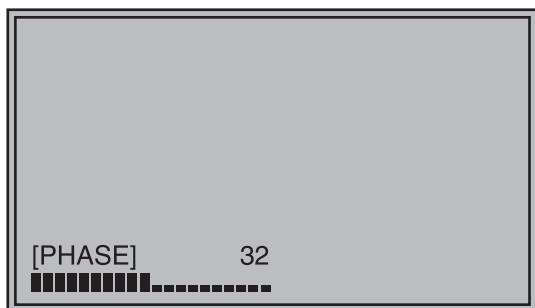
### 1. The selected input line (→ page 12, **5**)

- VIDEO, SDI1, SDI2, HDMI, YPbPr, PC

### 2. Signal format

- Use STATUS DISPLAY in the SYSTEM CONFIG menu to set the display status (→ page 21).
- “UNSUPPORT SIGNAL” appears if an unsupported signal is input.
- “NO SIGNAL” appears if no signal is input.

## Picture adjusting buttons/VOLUME button status



### Picture adjusting buttons (→ page 12, **8**)

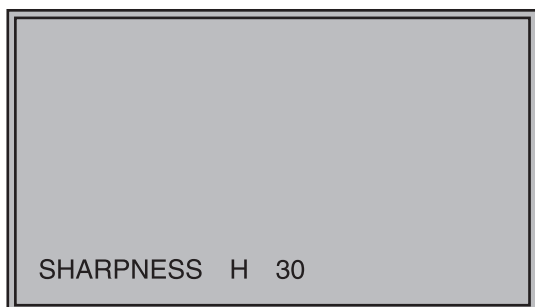
### VOLUME button (→ page 12, **9**)

- Press to display status.  
This display disappears after approximately 10 seconds of inaction.
- Only adjustments that appear on the screen can be adjusted.
- The display always appears in the same screen location.
- Settings are loaded when the monitor is turned on. The settings are automatically saved approximately 10 seconds after a change has been made.

Display status:

PHASE, CHROMA, BRIGHT, CONTRAST or BACKLIGHT and VOLUME.

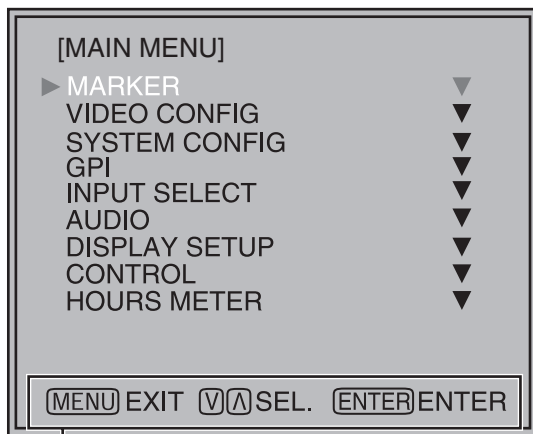
## Sharpness display



- This displays the SHARPNESS H of the VIDEO CONFIG menu.
- It disappears after approximately 2 minutes of inaction.

## How to Use the On Screen Menu (continued)

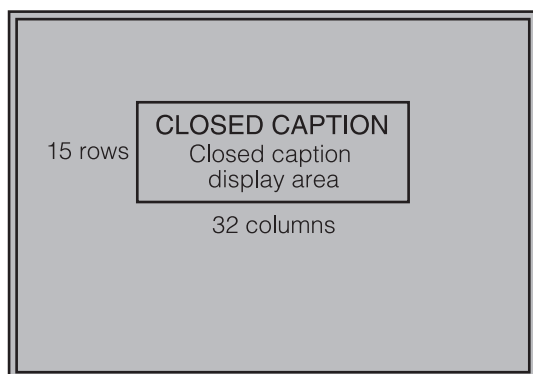
### Menu display



Displays instructions on menu button operations.

- This is the menu display.
- It disappears after approximately 2 minutes of inaction.

### Closed caption (CC) display



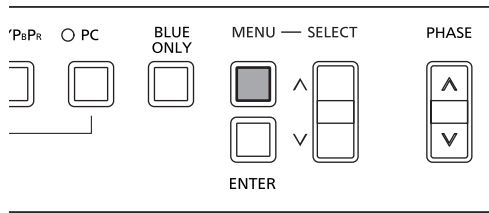
- Use the menu to display and set closed caption display for VIDEO (NTSC) signals. It also allows you to select CAPTION CHANNEL (CC1 to CC4).
- When video signals are input while CLOSED CAPTION is set to ON, marker and status displays are not available.



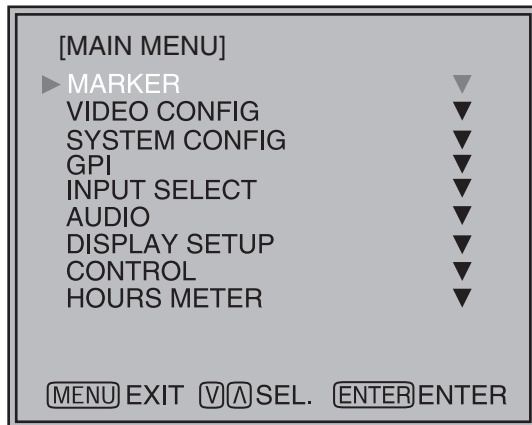
# How to Use the On Screen Menu (continued)

## Menu operations

1. Press [MENU] to display the MAIN MENU.

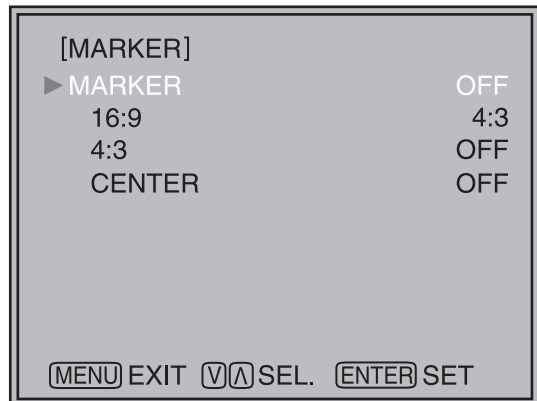


2. Press [V, ^] to select a menu and press [ENTER].



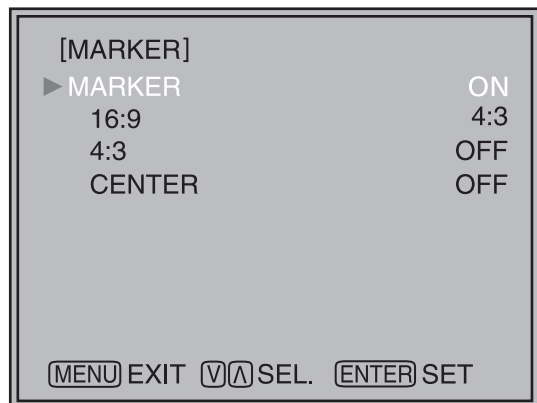
3. Press [V, ^] to select a sub menu and press [ENTER].

The settings in the sub menu change to green.



4. Press [V, ^] to select a setting and press [ENTER].

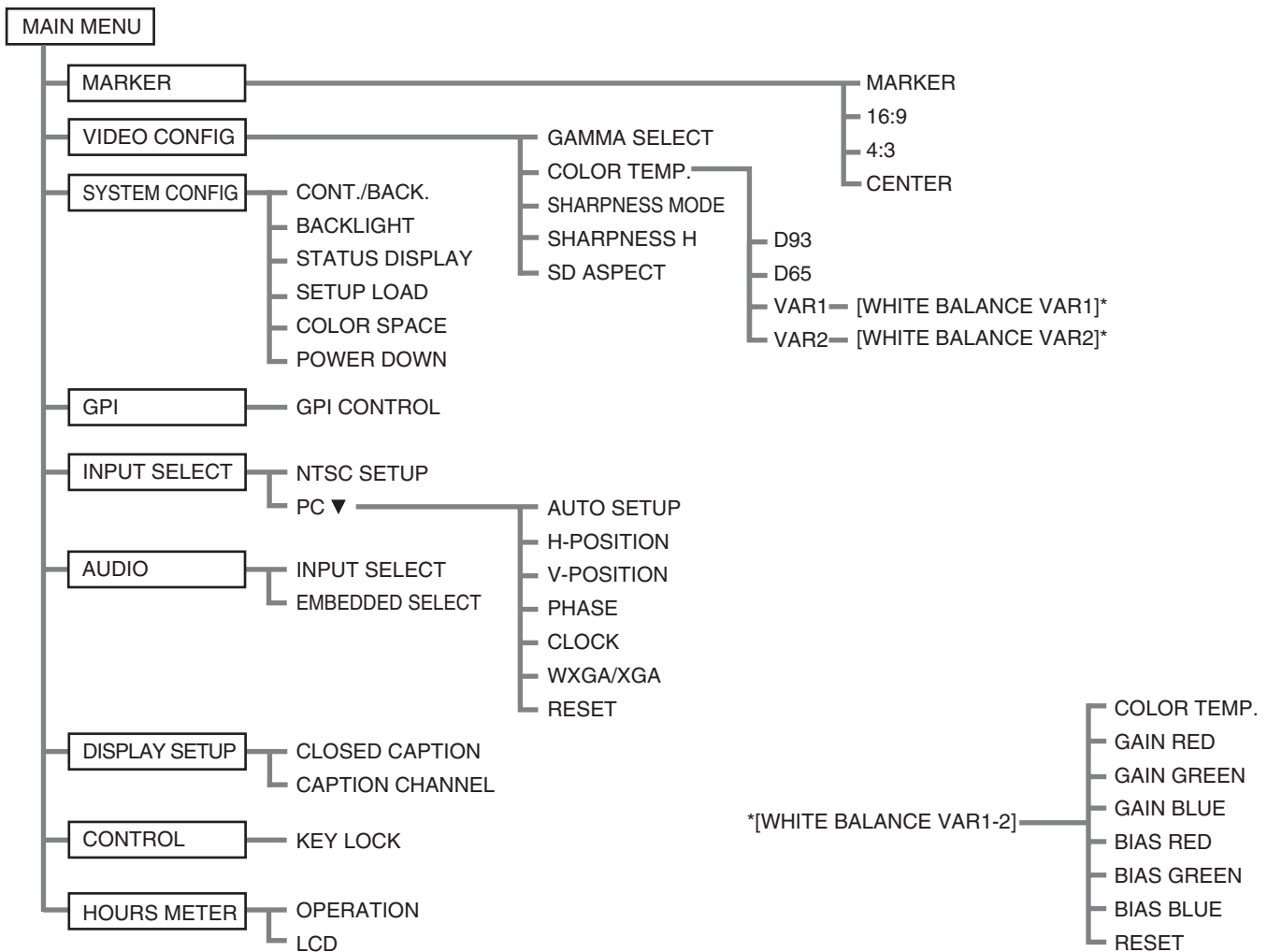
To cancel, press [MENU].



To return to the previous screen,  
Press [MENU].

# Main Menu

## Menu configuration



## MARKER

Underlined values indicate factory defaults.

Sub menu	Setting	Description
<b>MARKER</b> <sup>*1</sup>	<u>OFF</u> ON	Turns the MARKER setting on and off.
<b>16:9</b> <sup>*2</sup>	<u>OFF</u> <u>4:3</u> 93% <sup>*4</sup> 88% <sup>*4</sup> 80%	Selects and displays marker type for 16:9 aspect ratio. <OFF> No marker display <4:3> 4:3 marker <88%> 88 % area marker <93%> 93 % area marker <80%> 80 % area marker
<b>4:3</b> <sup>*3</sup>	<u>OFF</u> 93% 88% <sup>*4</sup> 80%	Selects and displays marker type for 4:3 aspect ratio. <OFF> No marker display <93%> 93 % area marker <80%> 80 % area marker <88%> 88 % area marker
<b>CENTER</b>	<u>OFF</u> ON	Displays the center marker. <OFF> No marker display <ON> Displays the marker

<sup>\*1</sup> When CLOSED CAPTION is set to ON, this setting automatically turns to OFF.

<sup>\*2</sup> This setting is enabled only for HD and SD signal input in 16:9 aspect ratio mode.

<sup>\*3</sup> This setting is enabled for SD signal input in 4:3 aspect ratio mode.

<sup>\*4</sup> The effective horizontal area of SD signals meets the EIA-RS170A standards for NTSC and ITU-R BT.470-4 standards for PAL.

# Main Menu (continued)

## MARKER types

### ■ 16:9 marker

(Displayed for HD input and SD input in 16:9 aspect ratio)

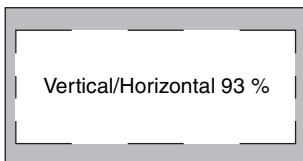
Aspect marker is only displayed as a vertical bar. The shaded areas ■ are grey in the illustrations to indicate MARKER specifications, but are not grey on the screen.



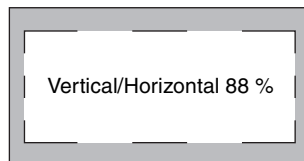
4:3 aspect marker

#### Safe area marker

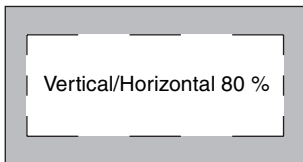
Safe area marker is displayed as a dotted line.



93 % safe area marker



88 % safe area marker

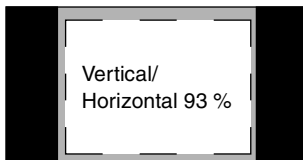


80 % safe area marker

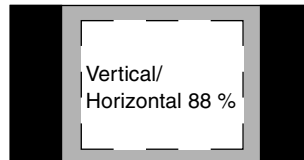
### ■ 4:3 marker

(Displayed for SD input in 4:3 aspect ratio)

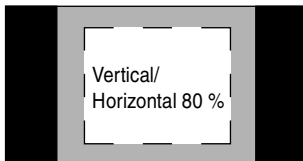
Safe area marker is displayed as a dotted line.



93 % safe area marker



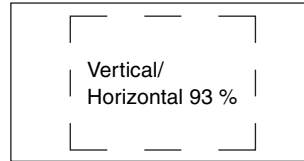
88 % safe area marker



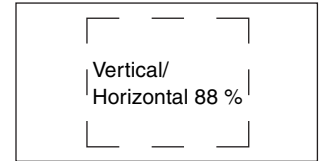
80 % safe area marker

(Displayed for HD input and SD input in 16:9 aspect ratio)

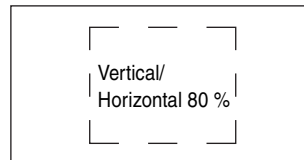
Safe area marker is displayed as a dotted line.



93 % safe area marker



88 % safe area marker

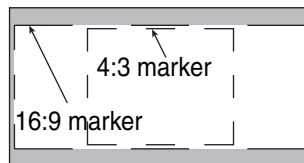


80 % safe area marker

### • You can display the 4:3 marker and the 16:9 marker simultaneously.

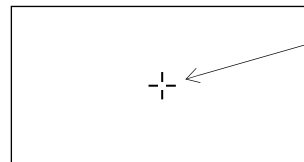
Simultaneous display example

The shaded areas ■ are grey in the illustrations to indicate MARKER specifications, but are not grey on the screen.



For 16:9 :  
93 % safe area marker  
For 4:3 :  
80 % safe area marker

### ■ Center marker



Center marker  
This marker is displayed at the center of the screen.

# Main Menu (continued)

## VIDEO CONFIG

Underlined values indicate factory defaults.

Sub menu	Setting	Description
<b>GAMMA SELECT</b> *1	2.2 <u>2.35</u>	Selects gamma curve. <2.2> Selects the gamma 2.2 curve. <2.35> Selects the gamma 2.35 curve. (A mode that approximates CRT display capability.)
<b>COLOR TEMP.</b>	D93 <u>D65</u> VAR1*3 VAR2*3	Selects color temperature. <D93> Equivalent to a color temperature of 9,300 K <D65> Equivalent to a color temperature of 6,500 K <VAR1> WB adjustment mode <VAR2> WB adjustment mode
<b>SHARPNESS MODE</b> *1	HIGH*2 LOW	Selects the width of outline correction edge. <HIGH> Thin edge                      <LOW> Wide edge
<b>SHARPNESS H</b> *1	0 to 30*2	Sets horizontal outline correction. The item display moves to the lower part of the screen during adjustment.
<b>SD ASPECT</b> *1	<u>4:3</u> 16:9	Sets the aspect ratio for SD signal input. <4:3> 4:3 aspect ratio                      <16:9> 16:9 aspect ratio

\*1 This function is not available when PC is selected in the INPUT SELECT menu (→page 21).

\*2 The following sharpness values are available and the settings for the selected input signal is displayed. Adjustment status during selection appears at the bottom right of the screen.

- 1) VIDEO system input (VIDEO) (the factory defaults are SHARPNESS MODE: LOW and SHARPNESS H: 0)
- 2) HD for input other than VIDEO (the factory defaults are SHARPNESS MODE: HIGH and SHARPNESS H: 0).
- 3) SD for input other than VIDEO (the factory defaults are SHARPNESS MODE: LOW and SHARPNESS H: 0).

\*3 Selecting VAR1, VAR2 engages the WB adjustment mode (→ see below).

### ■ WB Adjustment Mode

Select VAR1 and VAR2 for COLOR TEMP. in the VIDEO CONFIG menu to make WHITE BALANCE VAR1 and WHITE BALANCE VAR2 (WB) adjustments.

Underlined values indicate factory defaults.

Sub menu	Setting	Description
<b>COLOR TEMP.</b> *4	D93 <u>D65</u>	Selects the color temperature that will become the basis for adjustment. <D93> Equivalent to a color temperature of 9,300 K <D65> Equivalent to a color temperature of 6,500 K
<b>GAIN RED</b> *5	0 - 1023 (Factory defaults are color temperature <D65> values.) • These are the adjustments made before shipment from the factory.	Adjusts the GAIN elements for RED.
<b>GAIN GREEN</b> *5		Adjusts the GAIN elements for GREEN.
<b>GAIN BLUE</b> *5		Adjusts the GAIN elements for BLUE.
<b>BIAS RED</b> *5	-512 to 511 (Factory default: 0)	Adjusts the BIAS elements for RED.
<b>BIAS GREEN</b> *5		Adjusts the BIAS elements for GREEN.
<b>BIAS BLUE</b> *5		Adjusts the BIAS elements for BLUE.
<b>RESET</b>		Resets GAIN RED - BIAS BLUE to color temperature values selected under COLOR TEMP.

\*4 Selecting COLOR TEMP. and pressing [ENTER] after making a change, opens a confirmation screen. Selecting YES and pressing [ENTER] in this screen resets selected GAIN and BIAS values to the selected color temperature values.

\*5 The item display moves to the lower part of the screen during adjustment.

## Main Menu (continued)

### SYSTEM CONFIG

Underlined values indicate factory defaults.

Sub menu	Setting	Description
<b>CONT./BACK.</b>	<u>BACKLIGHT</u> CONTRAST	Selects function to be assigned to the CONT./B.LIGHT front panel buttons. <BACKLIGHT> Adjusts the B.LIGHT (backlight). <CONTRAST> Adjusts the CONT. (contrast).
<b>BACKLIGHT</b>	0 to <u>60</u>	Adjusts LCD backlight brightness. Adjust as required by ambient conditions.
<b>STATUS DISPLAY</b>	CONTINUE <u>3SEC OFF</u> OFF	Sets display state for input signal status (on-screen menu). <CONTINUE> Displayed at all times. <3SEC OFF> Displayed for approximately 3 seconds after a status change. <OFF > Not displayed.
<b>SETUP LOAD</b>	<u>FACTORY</u>	Loads saved factory defaults (FACTORY).
<b>COLOR SPACE</b>	<u>SMPTE-C</u> *1 EBU*2 ITU-709*3	Sets the studio standard color shade.
<b>POWER DOWN</b>	<u>OFF</u> ON	Selects whether monitor power shuts off (POWER DOWN) when no operation has taken place for a preset period of time and no input signal is present. <OFF> Disables POWER DOWN. <ON> Enables POWER DOWN.

\*1 Factory default setting for the BT-L2150P/1500P.

\*2 Factory default setting for the BT-L2150E/1500E.

\*3 ITU-709 is an ITU-R BT.709 standard.

### GPI

Enables and disables all GPI functions enabled by GPI CONTROL.

Underlined values indicate factory defaults.

Sub menu	Setting	Description
<b>GPI CONTROL</b>	<u>DISABLE</u> ENABLE	Enables and disables GPI functions <DISABLE> Disabled <ENABLE> Enabled

### INPUT SELECT

Underlined values indicate factory defaults.

Sub menu	Setting	Description
<b>NTSC SETUP</b>	75 <u>00</u>	Selects NTSC setup level. <75> Select this function when using 7.5 % setup signals. (Adjusts the interior of the monitor to the 7.5 % setup level to suit the black level) <00> Select this when there is no setup signal.
<b>PC</b>	▼	Performs analog PC settings.(PC→ page 22)

## Main Menu (continued)

### ■ PC

The menus shown below appear when PC is selected as the input signal.

Underlined values indicate factory defaults.

Sub menu	Setting	Description
<b>AUTO SETUP</b> *1		Automatically adjusts the screen when PC is selected as the input signal. A separate screen opens. Select YES to perform AUTO SETUP.
<b>H-POSITION</b> *2	0 to 60 (Factory default setting: 30)	Adjusts horizontal image display position.
<b>V-POSITION</b> *2	0 to 60 (Factory default setting: 30)	Adjusts vertical image display position.
<b>PHASE</b> *2	0 to 31 (Factory default setting: 16)	Adjusts the clock phase in 1/32 clock period increments.
<b>CLOCK</b> *2	<BT-L2150P/2150E> 700 - 2200 <BT-L1500P/1500E> 700 - 1800 (Factory preset settings:*3)	Adjusts the sampling clock in dot units.
<b>WXGA/XGA</b>	<u>XGA</u> WXGA	Switches between WXGA and XGA.
<b>RESET</b>		Returns H-POSITION, V-POSITION, PHASE and CLOCK settings in the PC input compliant format to their factory defaults.

\*1 "EXECUTING" is displayed during AUTO SETUP and "COMPLETE" appears when setup completes.

"INCOMPLETE" is displayed if setup could not be completed.

AUTO SETUP may not provide adequate automatic screen adjustments in all cases. Use H-POSITION, V-POSITION, PHASE and CLOCK to adjust.

\*2 You can make adjustments for each input format

\*3 Factory default values of CLOCK

Format	CLOCK	Format	CLOCK
640 x 400 (70 Hz)	800	1024 x 768 (70 Hz)	1328
640 x 480 (60 Hz)	800	1024 x 768 (75 Hz)	1312
640 x 480 (75 Hz)	840	1280 x 768 (60 Hz)	1664
800 x 600 (60 Hz)	1056	1280 x 800 (60 Hz)	1680
800 x 600 (75 Hz)	1056	1280 x 1024 (60 Hz)	1688*4
1024 x 768 (60 Hz)	1344		

\*4 Used for BT-L2150P/2150E

## Main Menu (continued)

### AUDIO

Sets speaker and headphones output.

Underlined values indicate factory defaults.

Sub menu	Setting	Description
<b>INPUT SELECT</b>	<u>AUTO</u> ANALOG	Selects speaker and headphones output. <AUTO> When an SDI input line is selected with the INPUT SELECT button on the front panel: embedded audio (SDI IN terminal) When an HDMI input line is selected with the INPUT SELECT button on the front panel: embedded audio (HDMI terminal) When input lines other than SDI or HDMI are selected with the INPUT SELECT button on the front panel: analog (AUDIO IN terminal) <ANALOG> Analog (AUDIO IN terminal)
<b>EMBEDDED SELECT</b> *1	CH7 - CH8 CH5 - CH6 CH3 - CH4 <u>CH1 - CH2</u>	Selects embedded audio CH to output to the speakers or headphones. <CH7 - CH8> Outputs CH7 to the left channel and CH8 to the right channel <CH5 - CH6> Outputs CH5 to the left channel and CH6 to the right channel <CH3 - CH4> Outputs CH3 to the left channel and CH4 to the right channel <CH1 - CH2> Outputs CH1 to the left channel and CH2 to the right channel

\*1 When an HDMI signal is selected, CH1 is output to the left channel and CH2 to the right channel.

### DISPLAY SETUP

Underlined values indicate factory defaults.

Sub menu	Setting	Description
<b>CLOSED CAPTION</b> *2*3	<u>OFF</u> ON	Enables closed captions display.
<b>CAPTION CHANNEL</b> *2	CC4 CC3 CC2 <u>CC1</u>	Selects the closed caption display channel.

\*2 Available during VIDEO (NTSC) input.

\*3 When MARKER is set to ON, this setting automatically turns to OFF.

### CONTROL

Underlined values indicate factory defaults.

Sub menu	Setting	Description
<b>KEY LOCK</b> *4	<u>OFF</u> ON	Selects operation (also locks control). <OFF> Enables front panel operation <ON> Disables the front panel operations other than POWER switch, MENU buttons (MENU, $\wedge$ , $\vee$ , ENTER), or VOLUME button

\*4 Only KEY LOCK is enabled when the key lock is engaged.

The picture adjusting buttons are disabled when the lock is engaged.

The KEY LOCK lamp on the front panel is on when the lock is engaged.

# Main Menu (continued)

## HOURS METER

Sub menu	Settings	Description
OPERATION	XXXXXXh*1	Displays the total number of hours it has been on.
LCD	XXXXXXh*1	Displays the number of hours that the backlight has been on.

\*1 "XXXXXX" indicates the number of hours.

"XXXXXX": 175200h (about 20 years), 175200 or greater number results in "OVER".

### ■ List of setting restrictions

(✓: Can be set and is available)

		VIDEO	SDI 1/2		HDMI			YPbPr		PC
			SD	HD	640 x 480	SD	HD	SD	HD	
MARKER	MARKER	✓	✓	✓	✓*3	✓	✓	✓	✓	✓*3
	16:9	✓	✓	✓	✓*3	✓	✓	✓	✓	✓*3
	4:3	✓	✓	✓	✓*3	✓	✓	✓	✓	✓*3
	CENTER	✓	✓	✓	✓*3	✓	✓	✓	✓	✓*3
VIDEO CONFIG	GAMMA SELECT	✓	✓	✓		✓	✓	✓	✓	
	COLOR TEMP.	✓	✓	✓	✓	✓	✓	✓	✓	✓
	SHARPNESS MODE	✓	✓	✓		✓	✓	✓	✓	
	SHARPNESS H	✓	✓	✓		✓	✓	✓	✓	
	SD ASPECT	✓	✓	✓*3		✓	✓*3	✓	✓*3	
INPUT SELECT	NTSC SETUP	✓*2	✓*3	✓*3	✓*3	✓*3	✓*3	✓*3	✓*3	✓*3
	PC									✓
AUDIO	INPUT SELECT	✓	✓	✓	✓	✓	✓	✓	✓	✓
	EMBEDDED SELECT	✓*3	✓	✓	✓	✓	✓	✓*3	✓*3	✓*3
DISPLAY SETUP	CLOSED CAPTION	✓*2	✓*3	✓*3	✓*3	✓*3	✓*3	✓*3	✓*3	✓*3
	CAPTION CHANNEL	✓*2	✓*3	✓*3	✓*3	✓*3	✓*3	✓*3	✓*3	✓*3
Picture adjustment	PHASE	✓	✓	✓	✓	✓	✓	✓	✓	
	CHROMA	✓	✓	✓	✓	✓	✓	✓	✓	
	BRIGHT	✓	✓	✓	✓	✓	✓	✓	✓	✓
	CONT.	✓	✓	✓	✓	✓	✓	✓	✓	✓
	B.LIGHT	✓	✓	✓	✓	✓	✓	✓	✓	✓

\*2 Enabled during NTSC format input

\*3 Can be set but is not available.



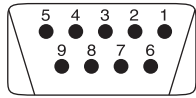
# REMOTE Specifications

This monitor permits remote operation from an external.

## GPI terminal

GPI screen items correspond to the following terminals.

The functions assigned to each terminal operate when GND (pin 5) is short-circuited (ON) or open (OFF).



GPI terminals (9P)

Pin	Signal
1	GPI1
2	GPI2
3	GPI3
4	GPI4
5	GND
6	GPI5
7	GPI6
8	GPI7
9	GPI8

### ■ Operating conditions

Level operation: Operates when GND is short-circuited.

Edge operation: Operates when GND changes from open to short-circuited.

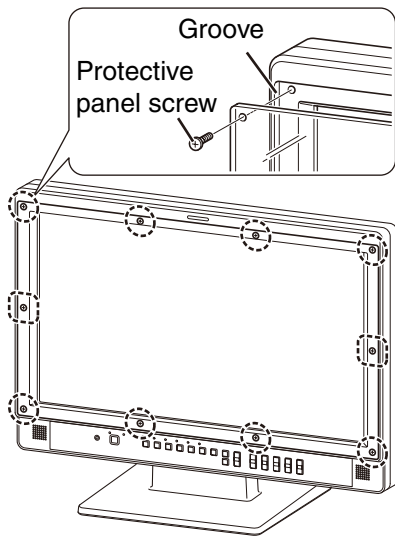
- Edge operation should be maintained for approximately 0.2 s or more after a change.

Terminal	Assigned item	Function	Operating conditions
GPI1	INPUT SEL. VIDEO	Switches the input line to VIDEO.	Edge operation
GPI2	INPUT SEL. SDI1	Switches the input line to SDI1.	Edge operation
GPI3	INPUT SEL. SDI2	Switches the input line to SDI2.	Edge operation
GPI4	INPUT SEL. HDMI	Switches the input line to HDMI.	Edge operation
GPI5	INPUT SEL. YP <sub>B</sub> PR	Switches the input line to YP <sub>B</sub> PR.	Edge operation
GPI6	INPUT SEL. PC	Switches the input line to PC.	Edge operation
GPI7	R-TALLY* <sup>1</sup>	Lights the red tally lamp.	Level operation (Short-circuited: ON, Open: OFF)
GPI8	G-TALLY* <sup>1</sup>	Lights the green tally lamp.	Level operation (Short-circuited: ON, Open: OFF)

\*<sup>1</sup> When R-TALLY and G-TALLY simultaneously go on, the tally lamp's color changes to amber.

# Detaching and Attaching the Protective Panel

The LCD panel is covered by a protective panel to protect it from damage during transportation. Remove the protective panel before use.



• The illustration shows an example for BT-L2150P/2150E.

○ indicates screws found only on BT-L2150P/2150E (not present on BT-L1500P/1500E)

## Detaching the panel

**1. Unscrew the protective panel screws (10 screws for BT-L2150P/2150E, 8 for BT-L1500P/1500E) using a Phillips screwdriver while supporting the protective panel with your hand.**

**2. Detach the protective panel.**

• After detaching, please store the protective panel and the protective panel screws.

## Attaching the panel

Verify the top and bottom of the protective panel before attaching.

**1. Align the screw holes on the protective panel with those on the unit.**

• Fit the protective panel into the groove on the unit.

**2. Using a Phillips screwdriver, screw the protective panel screws (10 screws for BT-L2150P/2150E, 8 for BT-L1500P/1500E) to screw the protective panel to the unit.**

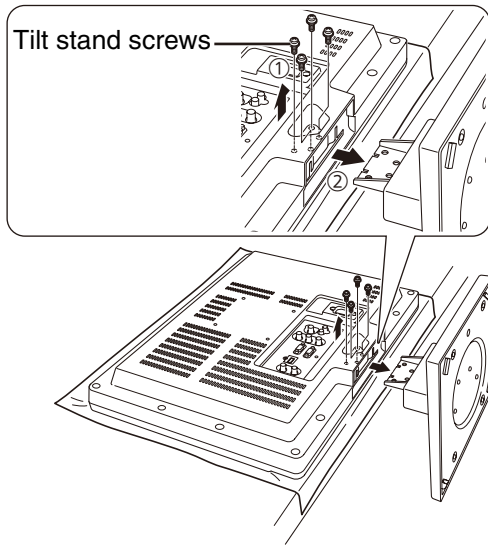
• The protective panel may crack if it is screwed too tight. (Screwing torque: Tighten to about 30 N cm or less)

# Detaching and Attaching the Tilt Stand

The tilt stand is detachable.

- When detaching and attaching the protective panel, it is recommended that you place the unit flat on the edge of a desk or table with a soft cloth or similar material spread underneath.

## Detaching the tilt stand

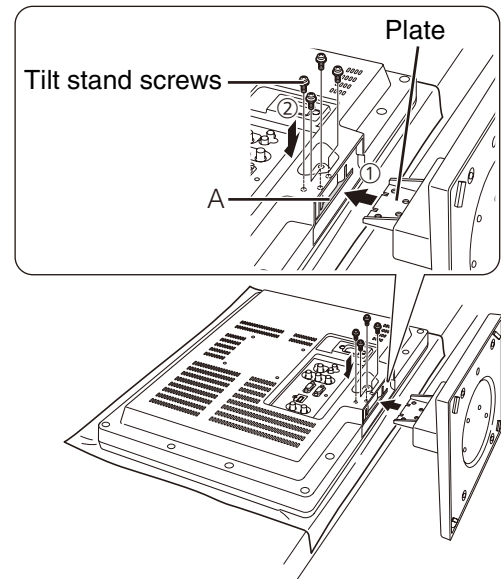


- The illustration shows an example for BT-L2150P/2150E.

1. **Unscrew the tilt stand screws (four) using a Phillips screwdriver.**
2. **Detach the tilt stand.**

- After detaching, please store the tilt stand and the tilt stand screws.

## Attaching the tilt stand



- The illustration shows an example for BT-L2150P/2150E.

1. **Attach the tilt stand to the unit.**
  - Insert the plate of the tilt stand into part A (illustrated) of the monitor unit.
2. **Screw the tilt stand to the unit by screwing the tilt stand screws (four) using a Phillips screwdriver.** (Screwing torque: Tighten to about 100 N cm or more)

# Maintenance Inspections

Maintenance inspections through periodic and appropriate maintenance are essential to keep the monitor in optimum condition and ensure safe operation. Be sure to conduct the following maintenance inspections to enable long-term and full use of all its functions.

## Necessity of periodic maintenance service

The backlight in the LCD panel is a consumable component that deteriorates over time leading to gradual loss of performance that could eventually result in a malfunction.

Conventional after-sales service that replaces parts when they break down should therefore be combined with a regularly conducted comprehensive service to maintain normal operation and prevent unforeseen breakdown of consumables.

# Maintenance

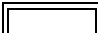
- Clean the cabinet and protective panel by gently wiping them with a soft cloth.  
To remove stubborn soiling, use a cloth dampened in a weak neutral detergent solution and thoroughly wrung out. Then wipe with a dry cloth. Any moisture entering the monitor could damage it.
- Do not use benzene, thinner and similar solvents for cleaning.  
They could discolor the surface and cause the paint to peel.
- Do not directly expose the monitor to spray cleaning.  
Any moisture entering the monitor could damage it.

# Specifications

## ■ General

### Power input

<BT-L2150P/2150E>	
Power supply	Current consumption
AC: 100 V - 240 V, 50/60 Hz	0.60 A - 0.30 A
<BT-L1500P/1500E>	
Power supply	Current consumption
AC: 100 V - 240 V, 50/60 Hz	0.50 A - 0.25 A

 indicates safety information.

### Dimensions (W x H x D):

<BT-L2150P/2150E>
538 mm x 426 mm x 240 mm (21-3/16 inches x 16-3/4 inches x 9-7/16 inches) (including tilt stand)
538 mm x 374 mm x 70 mm (21-3/16 inches x 14-3/4 inches x 2-3/4 inches) (monitor only, not including tilt stand)
<BT-L1500P/1500E>
397 mm x 360.5 mm x 240 mm (including tilt stand) (15-5/8 inches x 14-3/16 inches x 9-7/16 inches)
397 mm x 308.5 mm x 70 mm (15-5/8 inches x 12-1/8 inches x 2-3/4 inches) (monitor only, not including tilt stand)

### Mass:

<BT-L2150P/2150E>
Approx. 7.5 kg (16.53 lb) (including tilt stand)
Approx. 6.0 kg (13.23 lb) (monitor only, not including tilt stand)
<BT-L1500P/1500E>
Approx. 5.4 kg (11.9 lb) (including tilt stand)
Approx. 3.9 kg (8.6 lb) (monitor only, not including tilt stand)

### Operating temperature:

5 °C to 35 °C (41 °F to 95 °F)

### Operating humidity:

20 % to 80 % (no condensation)

### Storage temperature:

- 20 °C to 60 °C (-4 °F to 140 °F)

## ■ Display panel

<BT-L2150P/2150E>
Dimensions: 54.6 cm (21.5-inch) (effective screen area)
Aspect ratio: 16:9
Number of pixels: 1920 x 1080 (FULL HD)
Display colors: Approx. 16,700,000 colors
View angle (contrast > 10:1): 160° up/down, 170° right/left

### <BT-L1500P/1500E>

Dimensions: 39.1 cm (15.4-inch) (effective screen area)
Aspect ratio: 16:10
Number of pixels: 1280 x 800 (WXGA)
Display colors: Approx. 16,200,000 colors
View angle (contrast > 10:1): 140° up/down, 160° right/left

## ■ Input/output Connectors

### Video signal input:

VIDEO IN terminal: 1 input, BNC x 1
YPbPr IN terminal (Analog component): 1 input, BNC x 3
SDI IN (HD/SD) terminals: SMPTE274M/296M/259M-C/ ITU-R BT.656-4 compliant 2 inputs, BNC x 2
HDMI terminals: 1 input, HDMI terminal x 1 (TYPE A) HDCP compatible, not VIERA LINK compatible
PC terminal: 1 input, D-SUB, 15-pin x 1

### <BT-L2150P/2150E>

Vertical frequency: 60.0 Hz - 75.0 Hz
Horizontal frequency: 31.5 kHz - 64.0 kHz
Dot clock: 25 MHz - 108 MHz
<BT-L1500P/1500E>
Vertical Frequency: 60.0 Hz - 75.0 Hz
Horizontal frequency: 31.5 kHz - 60.0 kHz
Dot clock: 25 MHz - 83.5 MHz
HD/VD signal level: TTL level

### Audio input:

SDI IN (HD/SD) terminals: EMBEDDED AUDIO
HD - SDI: SMPTE299M compliant Sampling rate: 48 kHz, synchronous/asynchronous, 8 ch
SD - SDI: SMPTE272M compliant Sampling rate: 48 kHz, synchronous, 4 ch

### HDMI terminal:

EMBEDDED AUDIO
AUDIO IN terminal (Analog audio input): Pin jack x 2 (stereo) Input level 0.5 Vrms

Speaker output: 0.5 W + 0.5 W
Headphone output: Stereo minijack M3 x 1, 32 Ω adjustable level
GPI terminal: D-SUB, 9-pin x 1

Inrush current, measured according to European standard EN55103-1: 11.0 A

## Specifications (continued)

### ■ List of compatible signal formats(✓:Compatible)

Input signal	Display character example	VIDEO	SDI1	SDI2	HDMI	YPbPr	PC
NTSC	NTSC	✓					
PAL	PAL	✓					
640 x 480/59.94p	640 x 480 (60p)				✓		
640 x 480/60p	640 x 480 (60p)				✓		
480/59.94i	480/60i		✓	✓		✓	
480/59.94p	480/60p				✓	✓	
576/50i	576/50i		✓	✓		✓	
576/50p	576/50p				✓	✓	
720/50p	720/50p		✓	✓	✓	✓	
720/59.94p	720/60p		✓	✓	✓	✓	
720/60p	720/60p		✓	✓	✓	✓	
1080/23.98PsF	1080/24PsF		✓	✓		✓	
1080/24PsF	1080/24PsF		✓	✓		✓	
1080/25PsF	1080/50i		✓	✓		✓	
1080/23.98p	1080/24p		✓	✓	✓	✓	
1080/24p	1080/24p		✓	✓	✓	✓	
1080/25p	1080/25p		✓	✓	✓	✓	
1080/29.97p	1080/30p		✓	✓	✓	✓	
1080/30p	1080/30p		✓	✓	✓	✓	
1080/50i	1080/50i		✓	✓	✓	✓	
1080/50p	1080/50p				✓	✓	
1080/59.94i	1080/60i		✓	✓	✓	✓	
1080/60i	1080/60i		✓	✓	✓	✓	
1080/59.94p	1080/60p				✓	✓	
1080/60p	1080/60p				✓	✓	
640 x 400 (70 Hz)	640 x 400(70 Hz)						✓
640 x 480 (60 Hz)	640 x 480(60 Hz)						✓
640 x 480 (75 Hz)	640 x 480(75 Hz)						✓
800 x 600 (60 Hz)	800 x 600(60 Hz)						✓
800 x 600 (75 Hz)	800 x 600(75 Hz)						✓
1024 x 768 (60 Hz)	1024 x 768(60 Hz)						✓
1024 x 768 (70 Hz)	1024 x 768(70 Hz)						✓
1024 x 768 (75 Hz)	1024 x 768(75 Hz)						✓
1280 x 768 (60 Hz)	1280 x 768(60 Hz)						✓
1280 x 800 (60 Hz)	1280 x 800(60 Hz)						✓
1280 x 1024 (60 Hz)	1280 x 1024(60 Hz)						✓*1

\*1 Not supported by the BT-L1500P/1500E. "UNSUPPORT SIGNAL" appears."

Weight and dimensions when shown are approximately.  
Specifications are subject to change without notice.

# INDEX

## Numerics

16:9 .....	18
4:3 .....	18

## A

Accessories .....	8
Adjusting angle .....	14
Aspect marker .....	19
AUDIO .....	23
AUDIO IN terminals .....	13
AUTO SETUP .....	22

## B

BACKLIGHT .....	21
BIAS BLUE .....	20
BIAS GREEN .....	20
BIAS RED .....	20
BLUE ONLY button .....	12

## C

CAPTION CHANNEL .....	23
CENTER .....	18
Center marker .....	19
CLOCK .....	22
CLOSED CAPTION .....	16, 23
COLOR SPACE .....	21
COLOR TEMP. ....	20
CONT./BACK .....	21
CONTROL .....	23

## D

Dimensions .....	10
DISPLAY SETUP .....	23

## E

EMBEDDED SELECT .....	23
-----------------------	----

## G

GAIN BLUE .....	20
GAIN GREEN .....	20
GAIN RED .....	20
GAMMA SELECT .....	20
GPI .....	21
GPI CONTROL .....	21
GPI terminal .....	13, 25

## H

HDMI terminal .....	13
HEADPHONES output connector .....	12
HOURS METER .....	24
H-POSITION .....	22

## I

INPUT SELECT .....	21, 23
INPUT SELECT buttons .....	12
Input signal .....	15

## K

KEY LOCK .....	23
KEY LOCK lamp .....	12

## L

LCD .....	24
-----------	----

## M

Maintenance .....	27
Maintenance inspections .....	27
MARKER .....	18, 19
Types .....	19
Menu .....	15
Configuration .....	18
Display .....	16
Operations .....	17
MENU buttons .....	12

## N

NTSC SETUP .....	21
------------------	----

## O

OPERATION .....	24
-----------------	----

## P

PC terminal .....	13
PHASE .....	22
Picture adjusting buttons .....	12, 15
POWER DOWN .....	21
Power Supply .....	14
POWER switch .....	12
Protective panel .....	26

## R

REMOTE .....	25
RESET .....	20, 22

## S

Safe area marker .....	19
SD ASPECT .....	20
SDI IN (HD/SD) terminals .....	13
SETUP LOAD .....	21
Sharpness .....	15
SHARPNESS H .....	20
SHARPNESS MODE .....	20
Speakers .....	12
Specifications .....	28
STATUS DISPLAY .....	21
SYSTEM CONFIG .....	21

## T

Tilt stand .....	27
------------------	----

## V

VIDEO CONFIG .....	20
VIDEO IN terminal .....	13
VOLUME button .....	12, 15
V-POSITION .....	22

## W

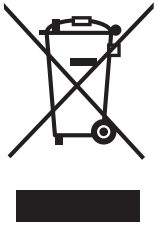
WB adjustment mode .....	20
WXGA/XGA .....	22

## Y

YPbPr IN terminals .....	13
--------------------------	----



## Information on Disposal for Users of Waste Electrical & Electronic Equipment (private households)



This symbol on the products and/or accompanying documents means that used electrical and electronic products should not be mixed with general household waste.

For proper treatment, recovery and recycling, please take these products to designated collection points, where they will be accepted on a free of charge basis. Alternatively, in some countries you may be able to return your products to your local retailer upon the purchase of an equivalent new product.

Disposing of this product correctly will help to save valuable resources and prevent any potential negative effects on human health and the environment which could otherwise arise from inappropriate waste handling. Please contact your local authority for further details of your nearest designated collection point.

Penalties may be applicable for incorrect disposal of this waste, in accordance with national legislation.

### For business users in the European Union

If you wish to discard electrical and electronic equipment, please contact your dealer or supplier for further information.

### Information on Disposal in other Countries outside the European Union

This symbol is only valid in the European Union.

If you wish to discard this product, please contact your local authorities or dealer and ask for the correct method of disposal.



## Free Manuals Download Website

<http://myh66.com>

<http://usermanuals.us>

<http://www.somanuals.com>

<http://www.4manuals.cc>

<http://www.manual-lib.com>

<http://www.404manual.com>

<http://www.luxmanual.com>

<http://aubethermostatmanual.com>

Golf course search by state

<http://golfingnear.com>

Email search by domain

<http://emailbydomain.com>

Auto manuals search

<http://auto.somanuals.com>

TV manuals search

<http://tv.somanuals.com>