

SECTION 2

Panasonic Broadcast Mechanical Parts List

MODEL: **BT-LH900AP,E,MC**

Note:

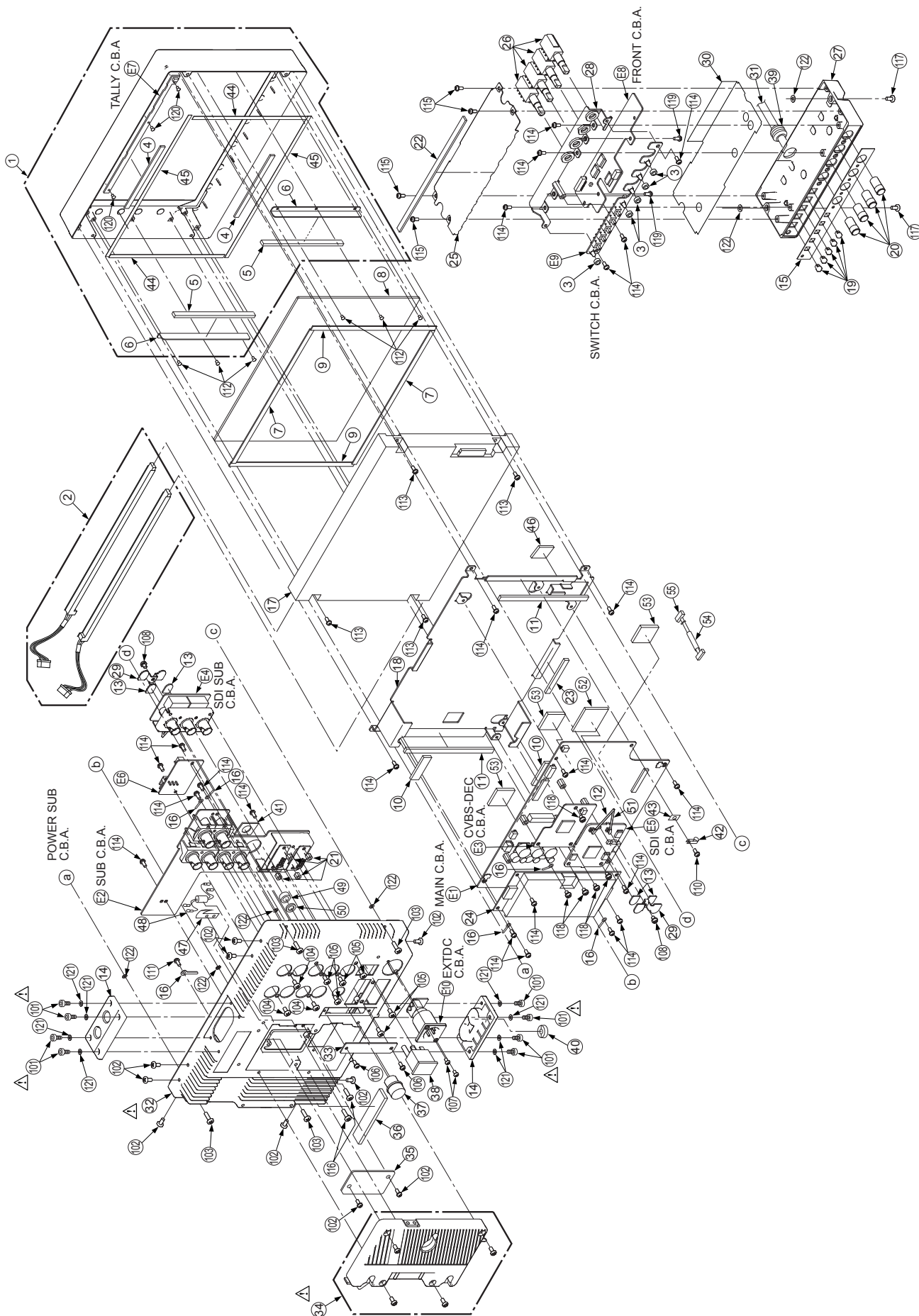
1. *Be sure to make your orders of replacement parts according to this list.
2. Unless otherwise specified, all resistors are in OHMS, K=1,000 OHMS, all capacitors are in MICROFARADS (μ F), P= μ μ F.
3. The P.C. Board unit marked with "■" shown below the main assembled parts.
4. The parts marked with $\text{\textcircled{E}}$ on the exploded view show the electric parts.
5. IMPORTANT SAFETY NOTICE
Components identified with the mark Δ have the special characteristics for safety. When replacing any of these components, use only the same type.
6. The marking (RTL) indicates the retention time is limited for this item.
After the discontinuation of this assembly in production, it will no longer be available.
7. "M" in Remark column indicates needed in the periodical maintenance.

CONTENTS

CASING PARTS ASSEMBLY	MPL-1
PACKING PARTS ASSEMBLY	MPL-3
CABLE LIST	MPL-5

CASING PARTS ASSEMBLY

Components identified with the mark \triangle have the special characteristics for safety. When replacing any of these components, use only the same type.




MPL-1

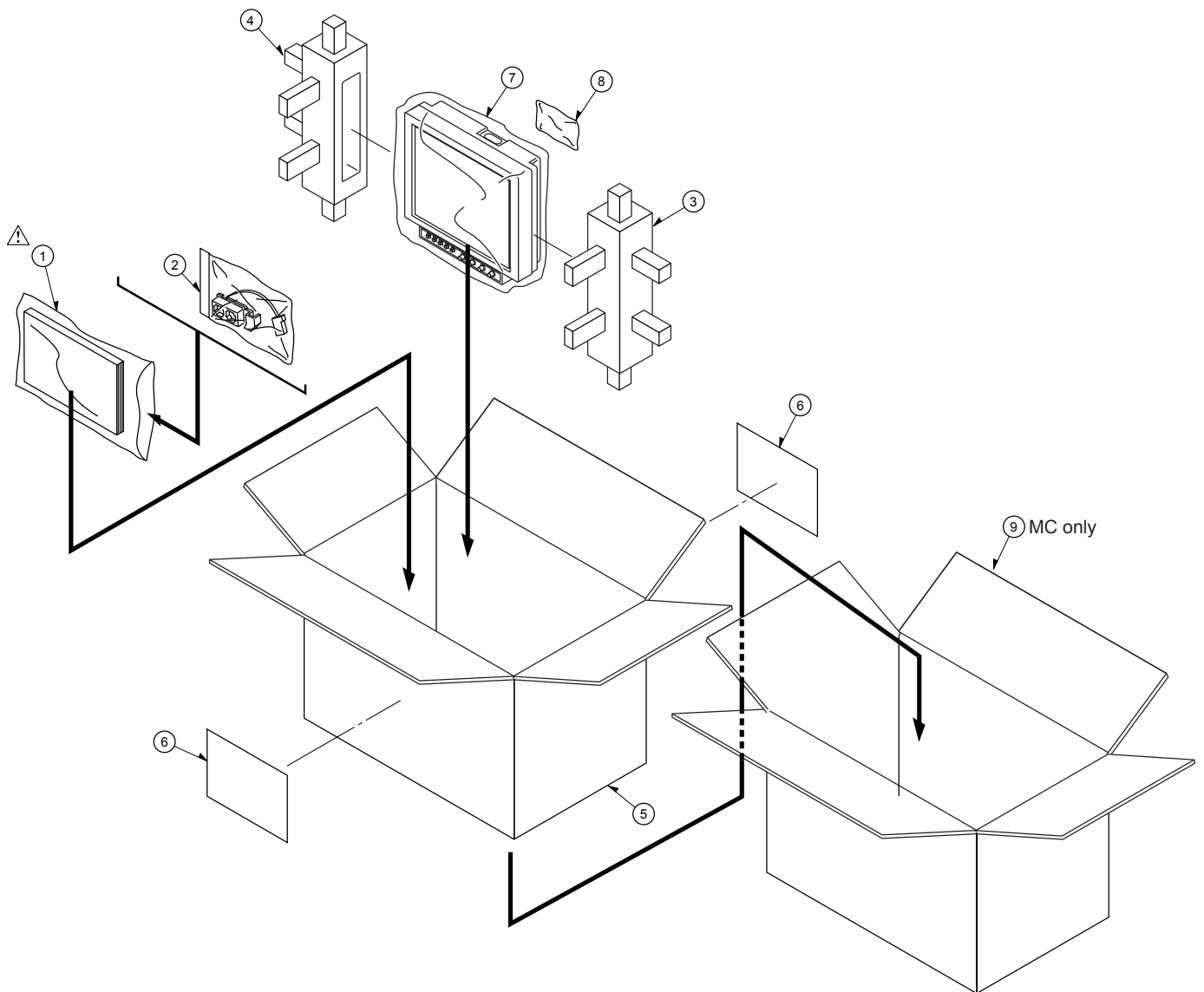
CASING PARTS ASSEMBLY

Components identified with the mark Δ have the special characteristics for safety. When replacing any of these components, use only the same type.

Ref.No.	Part No.	Part Name & Description	Pcs	Remarks	Ref.No.	Part No.	Part Name & Description	Pcs	Remarks
1	VYP9157	FRONT CASE ASS'Y	1		120	XQN2+A3FJ	SCREW	3	
2	84LHS03	BACKLIGHT	1		121	XWA26BFJK	WASHER	8	
3	VGf1000	LED COVER	5		122, 23	VMX3348	WASHER	3	
4	VMT1543	GASKET B	2						
5	VMT1542	GASKET A	2						
6	VMP7859	FRONT ANGLE	2		E1	VEP16104C	MAIN P. C. BOARD	1	
7	VMT1520	PROTECT PANEL SPONGE (B)	2		E2	VEP13114B	SUB P. C. BOARD	1	
8	VG07597	PROTECT PANEL	1		E3	VEP13115A	CVBS-DEC P. C. BOARD	1	
9	VMT1509	PROTECT PANEL SPONGE (A)	2		E4	VEP10119A	SDI SUB P. C. BOARD	1	
10	VMG1599	HEATING SHEET (F)	2		E5	VEP10120C	SDI P. C. BOARD	1	
11	VMG1596	HEATING SHEET (C)	2		E6	VEP11110A	POWER SUB P. C. BOARD	1	
12	K1TZB9A00051	SDI COAXIAL CABLE (R)	2		E7	VEP10117A	TALLY P. C. BOARD	1	
13	VMT1435	CONNECTOR CUSHION	4		E8	VEP10115B	FRONT P. C. BOARD	1	
14	VG07598	TRIPOD FIX BLOCK	2		E9	VEP10116A	SW P. C. BOARD	1	
15	VGh4891	SW BOX NAME PLATE	1		E10	VEP80D49B	EXT DC P. C. BOARD	1	
16	VJF1535	CLAMPER	5						
17	L5EDD200010	LCD PANEL	1						
18	VMP7842	MAIN P. C. B. BASE	1						
19	VGU7459	TACT SW KNOB	5						
20	VGU9566	ROTARY KNOB	4						
21	K1YE25000007	SCREW	4						
22	VMT1510	SW BOX COVER CUSHION	1						
23	VMG1598	HEATING SHEET (E)	1						
24	NODE2GD00002	INVERTER ASS'Y	1						
25	VGf0992	SW BOX COVER	1						
26	VEP10125A	VR FLEX. P. C. BOARD	4						
27	VGM2163	SW BOX	1						
28	VMP8325	VR FIX. ANGLE	1						
29	VMP8323	SDI HOLD ANGLE	2						
30	VMZ3400	INSULATION SHEET (BOTTOM)	1						
31	VWJ1703	OPERATION SECTION CABLE	1						
Δ 32	VGM2162	BACK CASE	1						
33	VGf0991	MAINTENANCE COVER	1						
Δ 34	VJF1347A	ANTON BRACKET	1						
35	VGf0709	BACK CASE COVER	1						
36	VGf0997	BATTERY CABLE HOLDER	1						
37	VEE0260	CABLE	1	MAIN-OPERATION TERMINAL					
38	VEE0Y89	POWER SW CABLE	1						
39	VMX0998	CORD BUSH	1						
40	VHN0361	SCREW SPACER	1						
41	VMZ3454	CUSHION	1						
42	VJF1500	FG CLAMPER	1						
43	VMZ3240	SPACER	1						
46	VMT1503	P. C. B. HOLDER RUBBER	1						
47	VMP8043	CORE MOUNT ANGLE	1						
48	JOKE00000084	FERRITE CORE	1						
49	JOKE00000083	FERRITE CORE	1						
50	VMT1562	SHEET	1						
51	K1TZB9A00037	SDI COAXIAL CABLE (B)	1						
52	VMG1591	CUSHION	1						
53	VMG1595	CONDUCTIVE SHEET (B)	3						
54	VMZ3321	CONDUCTIVE TAPE	1						
55	VEE0Y94	CABLE	1	MAIN (P6700)-LCD PAENL					
Δ 101	XVE26A6FP	SCREW	8						
102	XSB3+6FZ	SCREW	10						
103	XSB3+10FJK	SCREW	4						
104	XTB3+10GFJK	SCREW	3						
105	XTB3+6FFJK	SCREW	6						
106	XSB26+4FJK	SCREW	2						
107	XSN26+6FC	SCREW	2						
108	XYN3+J6FJ	SCREW	2						
110	XYN26+F8FJ	SCREW	1						
111	XYN3+J4FJ	SCREW	1						
112	XQN2+A3FJ	SCREW	6						
113	XSB26+8FJK	SCREW	4						
114	XYN26+J5FJ	SCREW	19						
115	XSB26+6FJK	SCREW	4						
116	XYN26+J5FJK	SCREW	2						
117	XSB3+8FJK	SCREW	2						
118	XYN3+J5FJ	SCREW	5						
119	XSB26+5FJ	SCREW	2						

PACKING PARTS ASSEMBLY

Components identified with the mark  have the special characteristics for safety. When replacing any of these components, use only the same type.



Free Manuals Download Website

<http://myh66.com>

<http://usermanuals.us>

<http://www.somanuals.com>

<http://www.4manuals.cc>

<http://www.manual-lib.com>

<http://www.404manual.com>

<http://www.luxmanual.com>

<http://aubethermostatmanual.com>

Golf course search by state

<http://golfingnear.com>

Email search by domain

<http://emailbydomain.com>

Auto manuals search

<http://auto.somanuals.com>

TV manuals search

<http://tv.somanuals.com>