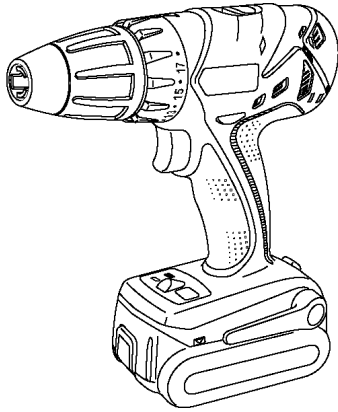


Service Manual

Cordless Drill & Driver

EY7440-U1



SPECIFICATIONS

MAIN UNIT

Motor		14.4V DC
No load speed	LOW	60 ~ 400/min (rpm)
	HIGH	200 ~ 1350/min (rpm)
Chuck capacity		φ 1.5 ~ 13mm (1/16" ~ 1/2")
Maximum torque	LOW	26.0N·m (265kgf-cm)
	HIGH	8.8N·m (90kgf-cm)
Clutch torque		Approx. 0.5Nm (5.0kgf-cm, 4.4in-lbs) – 4.4Nm (45.0kgf-cm, 39.0in-lbs)
Overall length		191mm (7-1/2")
Weight (with battery pack EY9L40)		1.6kg (3.5lbs)

WARNING

This service information is designed for experienced repair technicians only and is not designed for use by the general public. It does not contain warnings or cautions to advise non-technical individuals of potential dangers in attempting to service a product. Products powered by electricity should be serviced or repaired only by experienced professional technicians. Any attempt to service or repair the product or products dealt with in this service information by anyone else could result in serious injury or death.

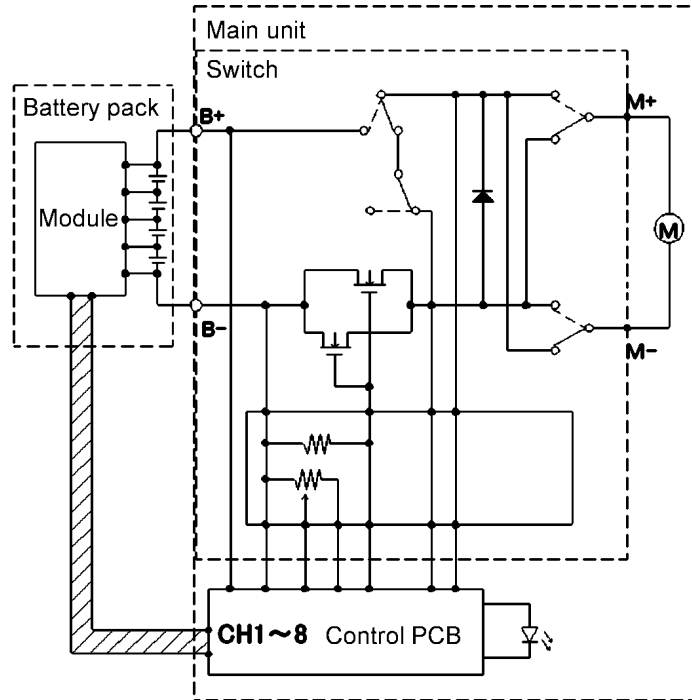
CONTENTS

	Page		Page
1 SCHEMATIC DIAGRAM	2	4 TROUBLESHOOTING GUIDE	9
2 WIRING CONNECTION DIAGRAM	2	5 EXPLODED VIEW	11
3 DISASSEMBLY/ASSEMBLY INSTRUCTIONS	3	6 REPLACEMENT PARTS LIST	12

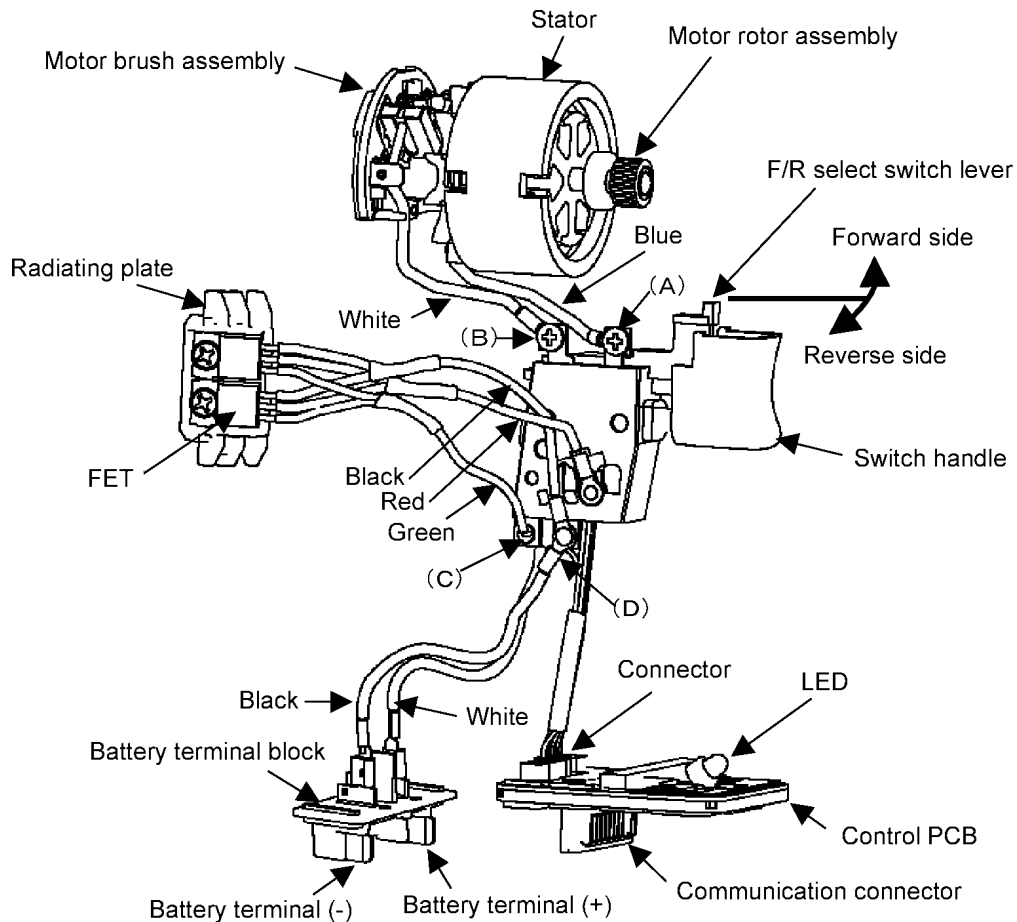
Panasonic[®]

© 2006 Matsushita Electric Works Ltd. All rights reserved. Unauthorized copying and distribution is a violation of law.

1 SCHEMATIC DIAGRAM

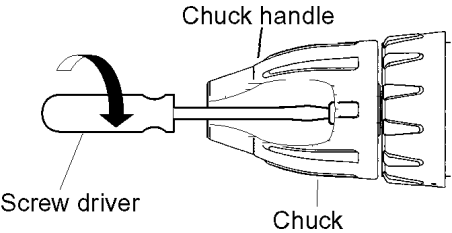
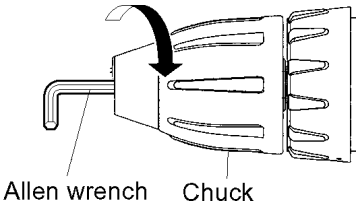
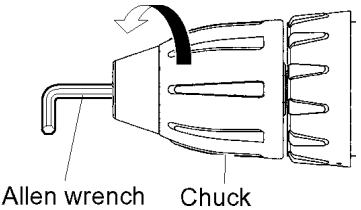



2 WIRING CONNECTION DIAGRAM

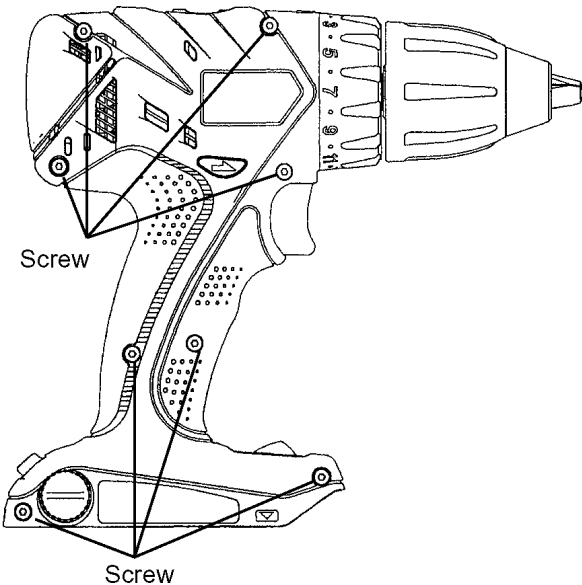


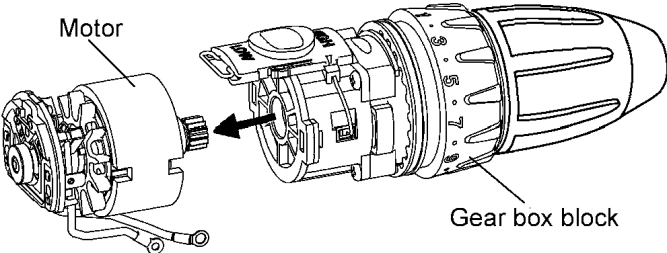
3 DISASSEMBLY/ASSEMBLY INSTRUCTIONS

■ HOW TO DISASSEMBLE KEYLESS CHUCK.

Ref. No. 1A	Procedure 1A	Removal of the Keyless Drill Chuck.
	 <p>Chuck handle</p> <p>Screw driver</p> <p>Chuck</p> <p>Fig. 1</p>  <p>Allen wrench</p> <p>Chuck</p> <p>Fig. 2</p>  <p>Allen wrench</p> <p>Chuck</p> <p>Fig. 3</p>	<p>NOTE : When attaching or removing a bit, disconnect battery pack from tool.</p> <ol style="list-style-type: none"> 1. Set the clutch handle to position  and select "LOW" position. 2. Turn the lock collar counterclockwise (looking from the front) to open the chuck jaws. 3. Use a screwdriver to turn the chuck fastening screw inside the chuck clockwise direction of the arrow, and remove the screw. (See Fig. 1) <p>NOTE : If the chuck fastening screw will not come loose, insert the allen wrench into the chuck and lightly tap in the clockwise direction with a hammer to tighten the chuck, and then loosen the chuck fastening screw. (See Fig. 2)</p> <p>Insert the allen wrench into the chuck, and turn counterclockwise direction in the arrow with holding the unit by the vise to remove the chuck. (See Fig. 3)</p>

■ HOW TO DISASSEMBLE MAIN UNIT.

Ref. No. 2A	Procedure 2A	Removal of the Housing.
 <p data-bbox="400 860 456 887">Fig. 4</p>		<p data-bbox="777 244 1062 264">1. Remove 8 housing screws.</p>

Ref. No. 2B	Procedure 2A → 2B	Removal of the Motor.
 <p data-bbox="400 1301 456 1328">Fig. 5</p>		<p data-bbox="777 969 879 990">(Removal)</p> <ol data-bbox="777 996 1433 1066" style="list-style-type: none"> 1. Take out the motor with the gear box block from housing. 2. Separate the motor from the gear box block by twisting the motor to unlock tabs.

Ref. No. 2C

Procedure 2A → 2B → 2C

Removal or attachment of the Gear Box Block.

(Removal)

1. Turn the thrust plate to remove.
2. The internal parts of gear box block can be removed one after another. (See Fig. 6)

(Attachment)

1. Start from inserting 6 pins into the driving block as shown in the Fig. 7.
2. Assemble the other parts in reverse order as shown in the Fig. 6.

NOTE :

Carriers and Ring Gears have their own correct directions for proper reassembly.

3. Insert 2 pieces of steel ball into each 6 holes of gear case.
4. Set clutch plate and clutch spring.

NOTE :

Clutch plate has its own correct direction for proper reassembly.

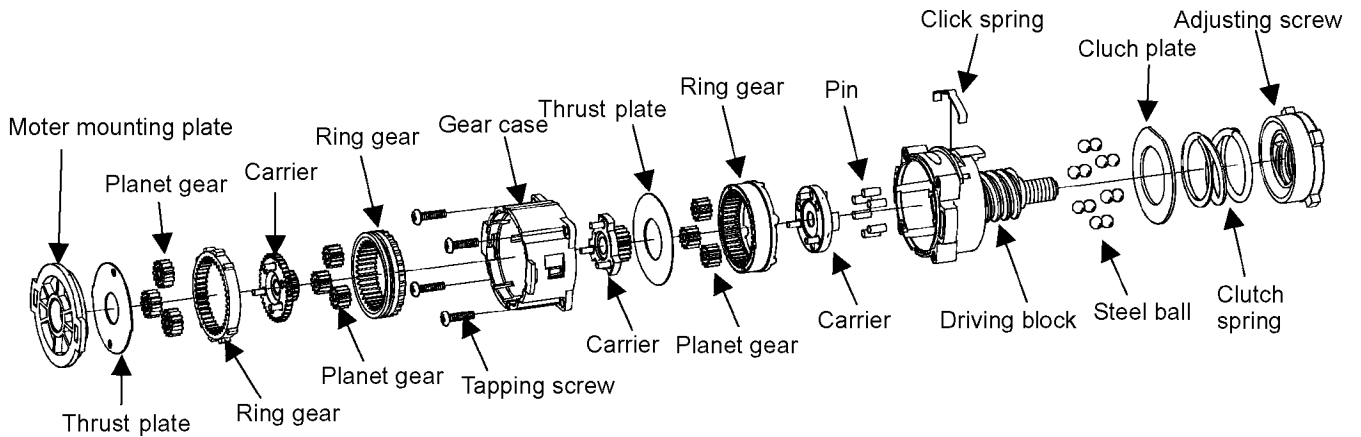


Fig. 6

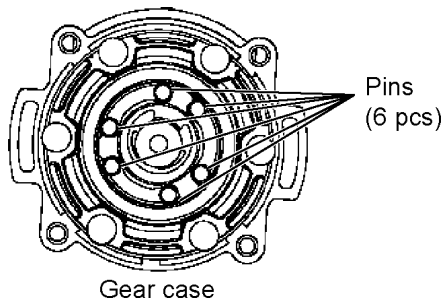
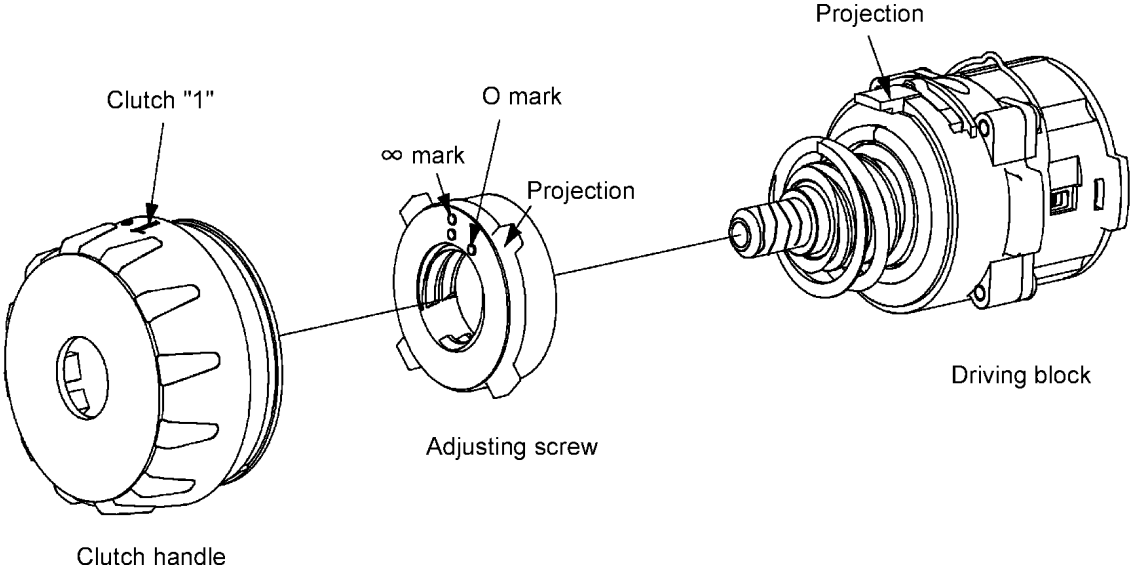
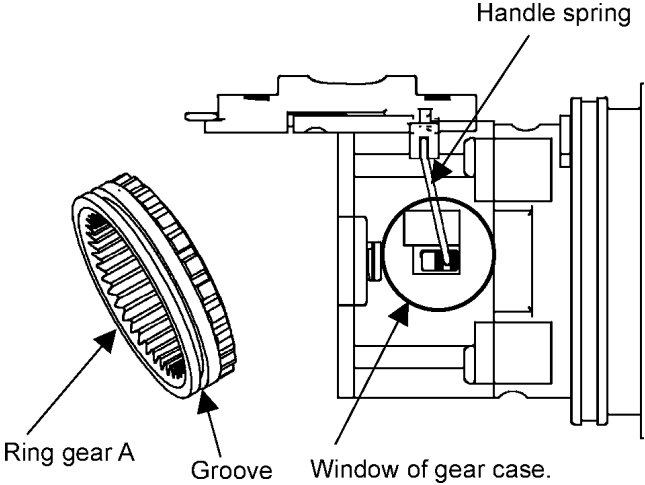


Fig. 7

Ref. No. 2D	Procedure 2A → 2B → 2C → 2D	Assembly of the Adjusting Screw and the Clutch Handle.
		<ol style="list-style-type: none"> 1. Align the O mark of adjusting screw with the projection (A) of driving block. 2. Turn the adjusting screw into the driving block about one rotation for clockwise direction. 3. Align the ∞ mark of adjusting screw with the projection (A) of driving block. 4. Set the clutch handle with position 1 on top. (Align the position 1 of clutch handle with the projection (A) of driving block.) 5. Insert the clutch handle with adjusting the tabs of adjusting screw to the groove of inside clutch handle.
		
Fig. 8		

Ref. No. 2E	Procedure 2A → 2B → 2C → 2D → 2E	Attachment of the H/L Change Handle.
		<ol style="list-style-type: none"> 1. Insert the both side of handle spring into the groove of Ring gear A.
		

Ref. No. 2F

Procedure 2A → 2B → 2C → 2D → 2E → 2F

Attachment of the Switch.

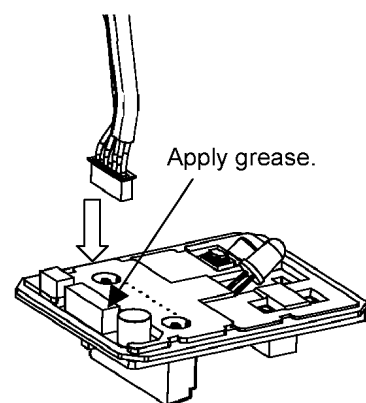
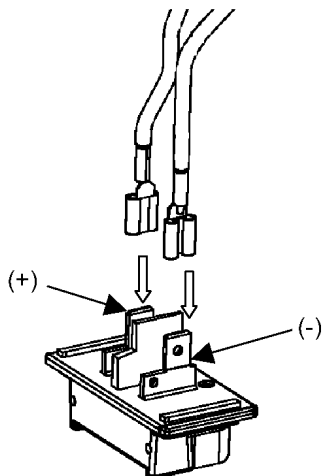
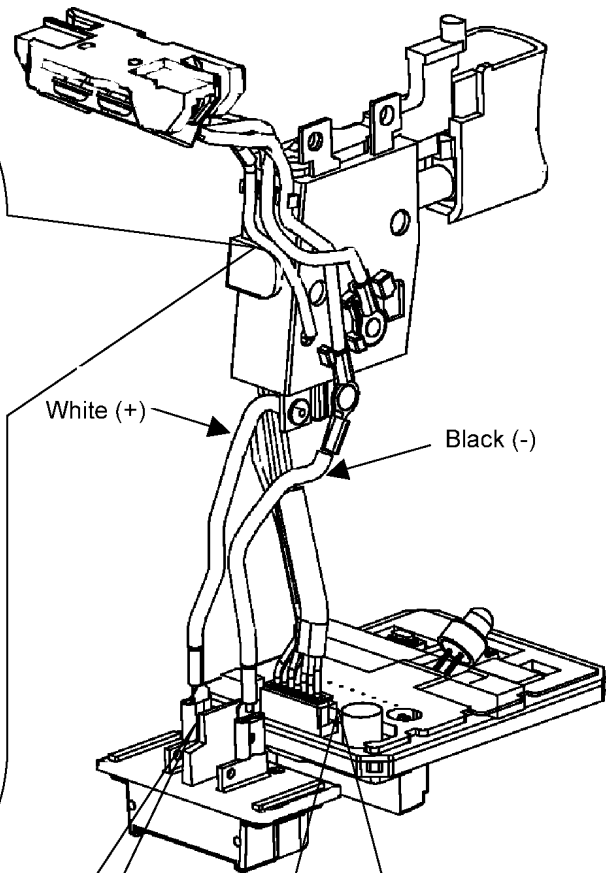
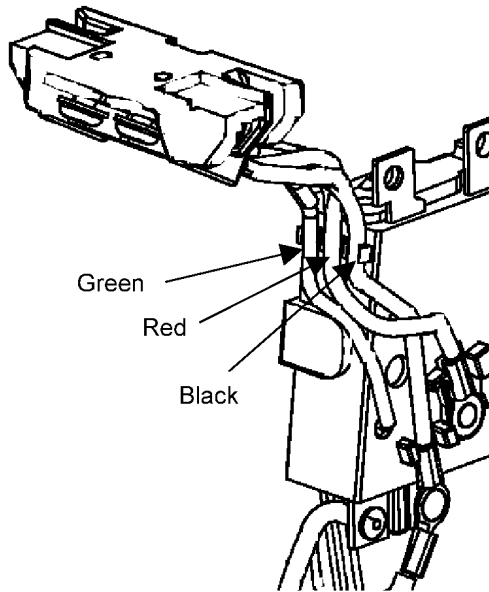
1. Insert the connectors into battery terminal and control PCB.

NOTE :

Do not connect (+) and (-) terminal wrongly.

Apply the grease (FLOIL) on the places where insert into the connectors.

Place the lead wires into the ribs firmly.



Ref. No. 2G

Procedure 2A → 2B → 2C → 2D → 2E → 2F → 2G

Attachment of the Housing.

1. Place the driving block onto the housing A and place the spring for release lever and the hook release lever.
2. Place the switch assembly, operation panel, click spring and F/R selector handle onto the housing A.

NOTE :

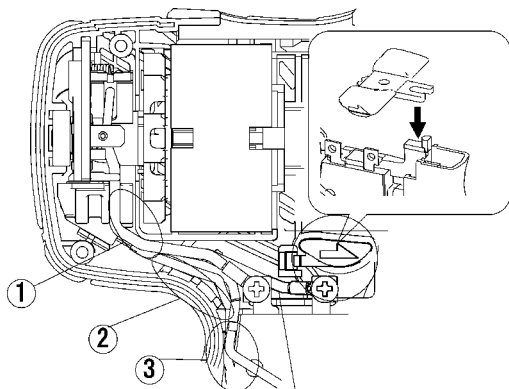
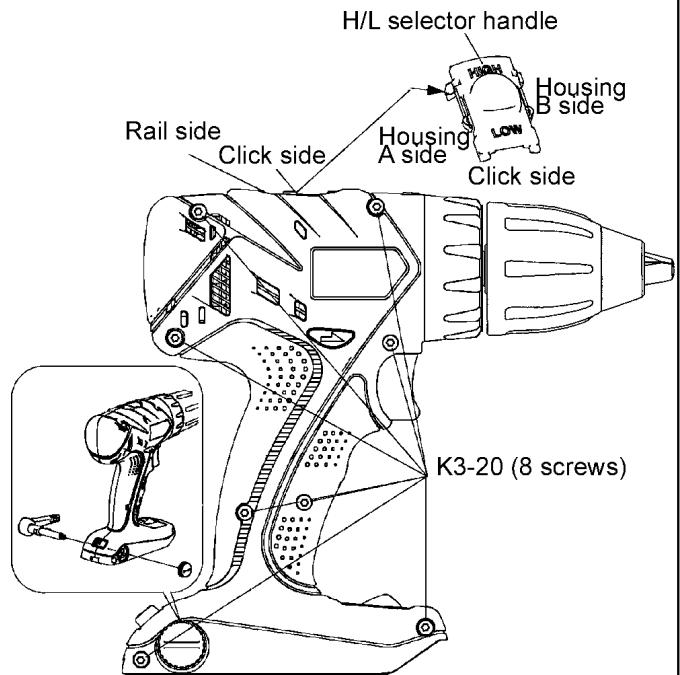
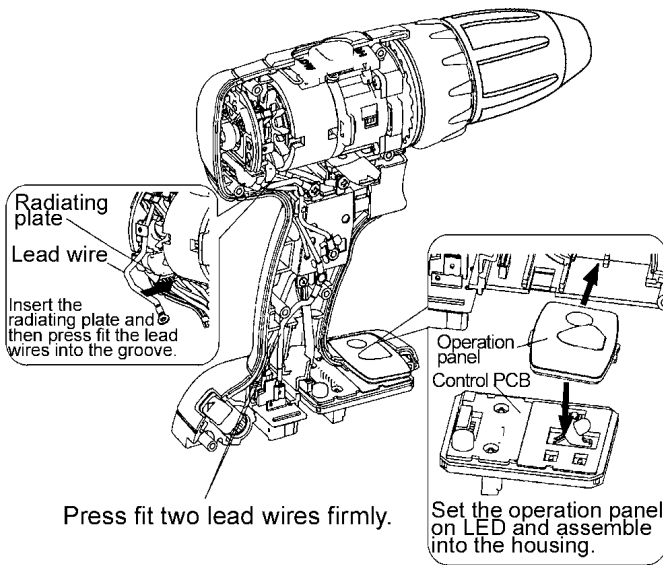
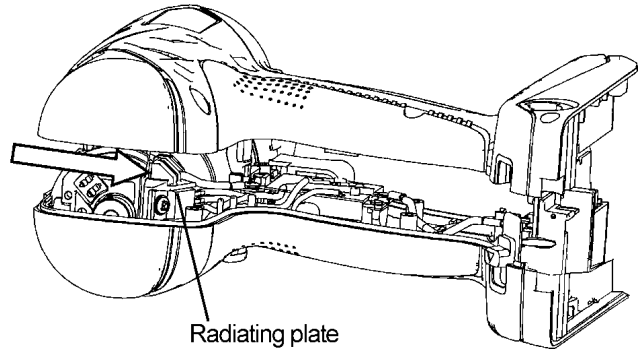
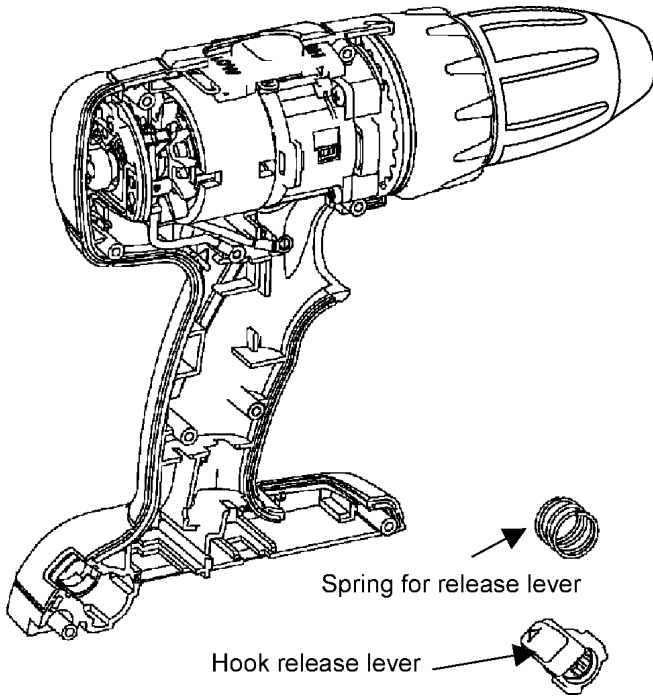
Make sure that the lead wires are pressed fit firmly.

3. Close the housing A and B with pushing the radiating plate on the direction of the arrow and tighten 8 housing screws.

NOTE :

Confirm to set the radiating plate properly. If the radiating plate lean toward the motor brush side, the housing B can not be closed.

4. Place the H/L change handle into the rail properly.
5. Insert the belt hook into the housing and tighten with hook bolt.

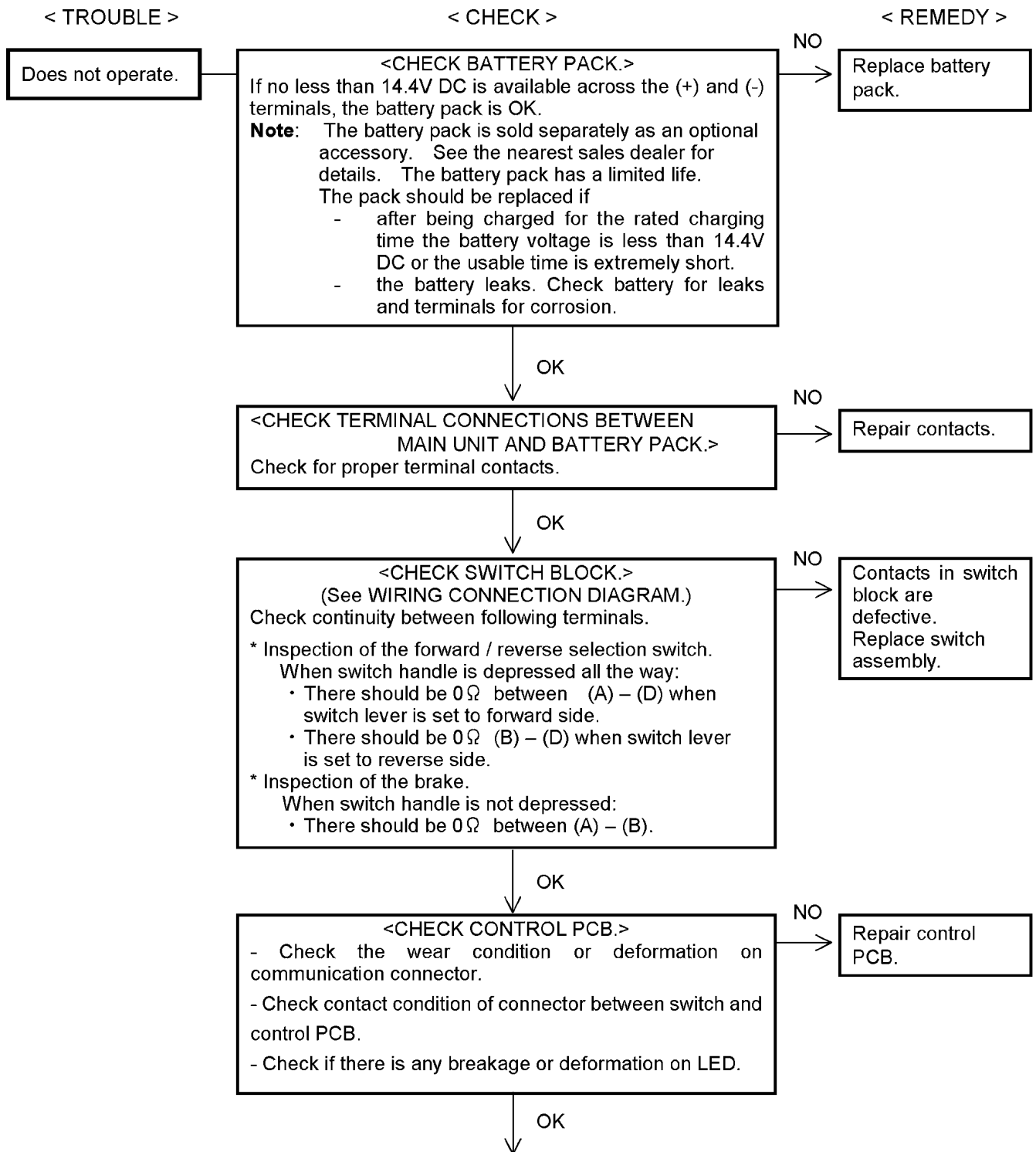


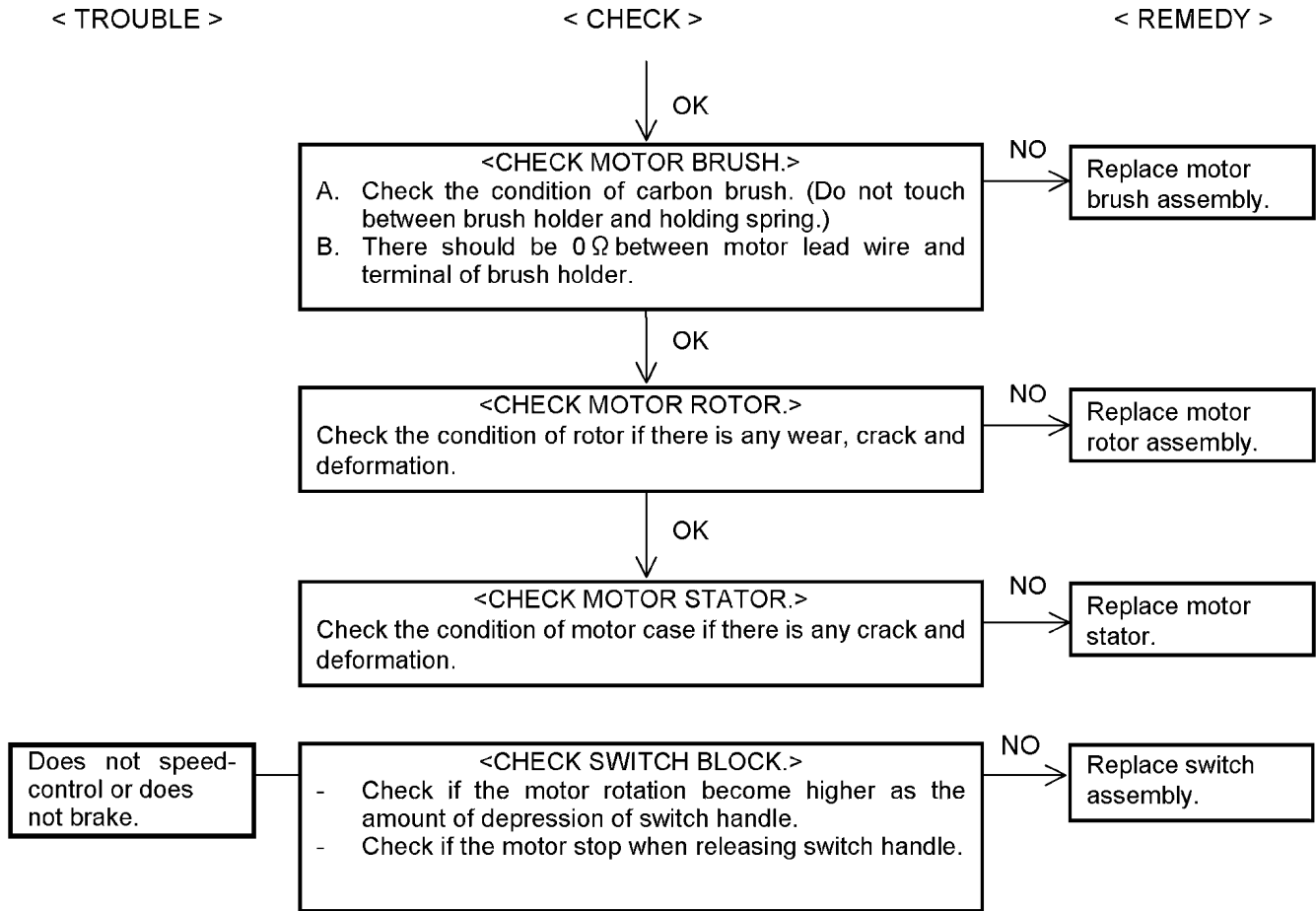
This lead wire should be set inside.

NOTE: Make sure no to pinch the lead wires.

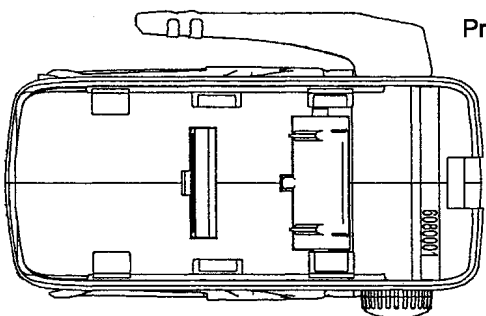
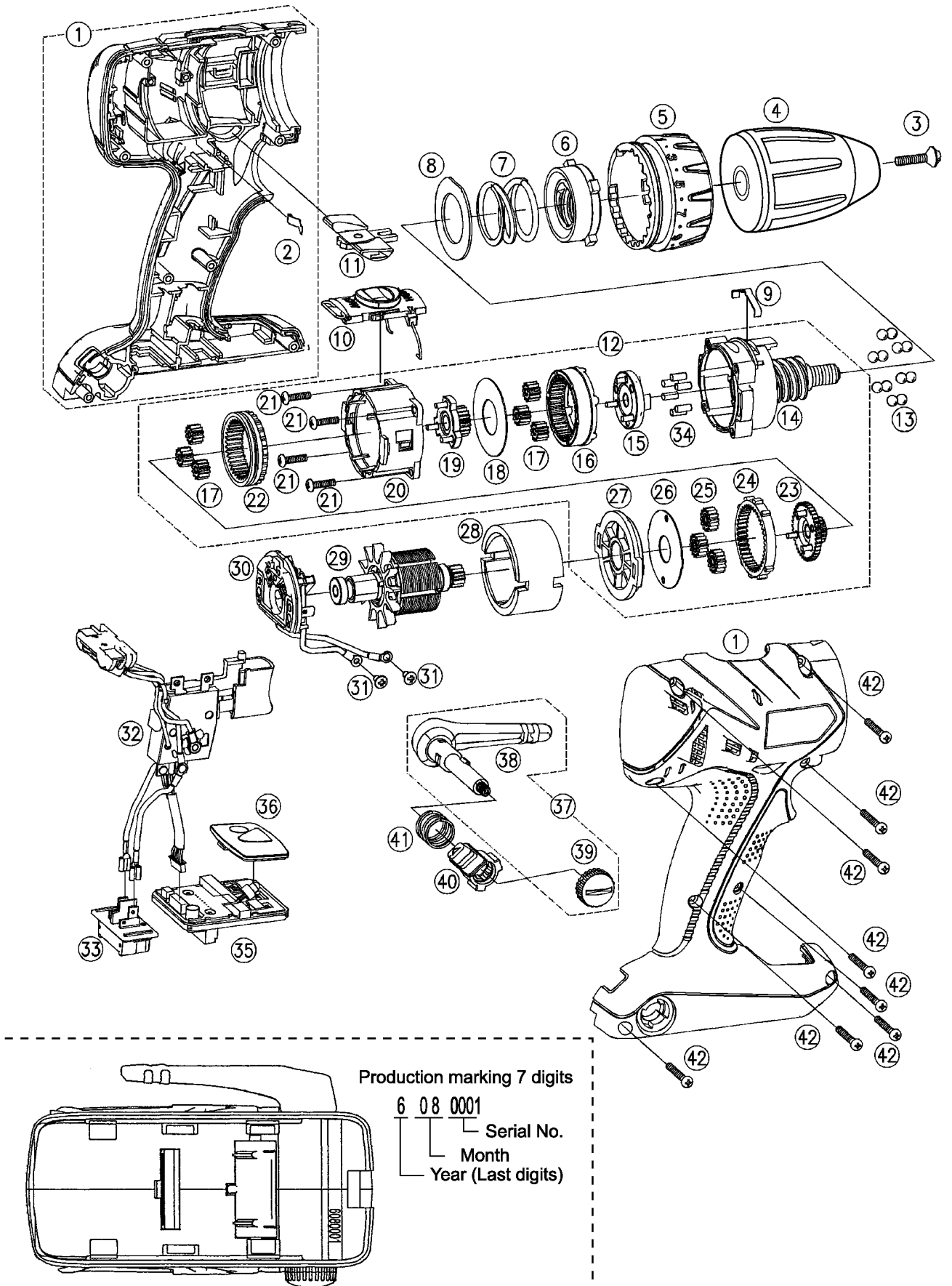
4 TROUBLESHOOTING GUIDE

(Refer to WIRING CONNECTION DIAGRAM)





5 EXPLODED VIEW



Production marking 7 digits

6 08 0001

Serial No.
Month
Year (Last digits)

6 REPLACEMENT PARTS LIST

NOTE:

*B=only available as set

*C=available individually

Ref.No.	Part No.	Part Name & Description	Remarks		Per Unit
1	WEY7440K3078	HOUSING AB SET			1
2	WEY6481L0176	CLICK SPRING			1
3	WEYT103L6806	CHUCK FASTENING SCREW			1
4	WEY7440K7918	KEYLESS CHUCK		(SH)	1
5	WEY7440H3227	CLUTCH HANDLE			1
6	WEY7000L0637	ADJUSTING SCREW			1
7	WEY7000L0177	CLUTCH SPRING			1
8	WEY7000L0577	CLUTCH PLATE			1
9	WEYT107L0457	CLICK SPRING A			1
10	WEY7440H1557	H/L CHANGE HANDLE			1
11	WEY7440H3247	F/R SELECTOR HANDLE			1
12	WEY7440L1067	DRIVING BLOCK A			1
13	WEY7000L6967	STEEL BALL	*C	(12PCS/PK)	12
14	WEY7440L1087	DRIVING BLOCK			1
15	WEY7000L1137	CARRIER			1
16	WEY7440L1427	RING GEAR			1
17	WEY7000L1347	PLANET GEAR	*B	(3PCS/PK)	6
18	WEY7000L0857	THRUST PLATE			1
19	WEY7000L1117	CARRIER			1
20	WEY7440L1767	GEAR CASE			1
21	WEY508Ca9627	TAPPING SCREW	*C	K3-12	4
22	WEY7440L1457	RING GEAR A			1
23	WEY7000L1127	CARRIER B			1
24	WEY7000L1467	RING GEAR B			1
25	WEY7000L1367	PLANET GEAR B	*B	(3PCS/PK)	3
26	WEY7000L0887	THRUST PLATE			1
27	WEY7440L3967	MOTOR MOUNTING PLATE			1
28	WEY7440L1187	STATOR			1
29	WEY7440L1467	MOTOR ROTOR ASSEMBLY			1
30	WEY7440L2307	MOTOR BRUSH ASSEMBLY			1
31	WEY6802S6187	SCREW	*C	B3-5	2
32	WEY7440L2007	SWITCH ASSEMBLY		(SH)	1
33	WEY7540L2157	BATTERY TERMINAL BLOCK			1
34	WEY6705L0376	ROLLER SET	*B	(6PCS/PK)	6
35	WEY7440L2117	CONTROL PCB			1
36	WEY7440K3958	OPERATION PANEL			1
37	WEY7540K3217	BELT HOOK SET			1
38	WEY7540K3187	BELT HOOK			1
39	WEY6470K3186	BELT HOOK BOLT			1
40	WEY7540H0407	HOOK RELEASE LEVER			1
41	WEY7540L0167	SPRING FOR RELEASE LEVER			1
42	WEY7440K9038	TAPPING SCREW	*C	K3*20	8
-	WEY9633K7018	TOOL CASE		(SH)	1
-	WEY7440K8108	OPERATING INSTRUCTIONS		(SH)	1

**Battery Pack is available as an optional accessory. See the nearest sales dealer for details.

***For replacement parts of charger, see the charger service manual.

Charger complete set is available as an optional accessory. See the nearest sales dealer for details.

Free Manuals Download Website

<http://myh66.com>

<http://usermanuals.us>

<http://www.somanuals.com>

<http://www.4manuals.cc>

<http://www.manual-lib.com>

<http://www.404manual.com>

<http://www.luxmanual.com>

<http://aubethermostatmanual.com>

Golf course search by state

<http://golfingnear.com>

Email search by domain

<http://emailbydomain.com>

Auto manuals search

<http://auto.somanuals.com>

TV manuals search

<http://tv.somanuals.com>