

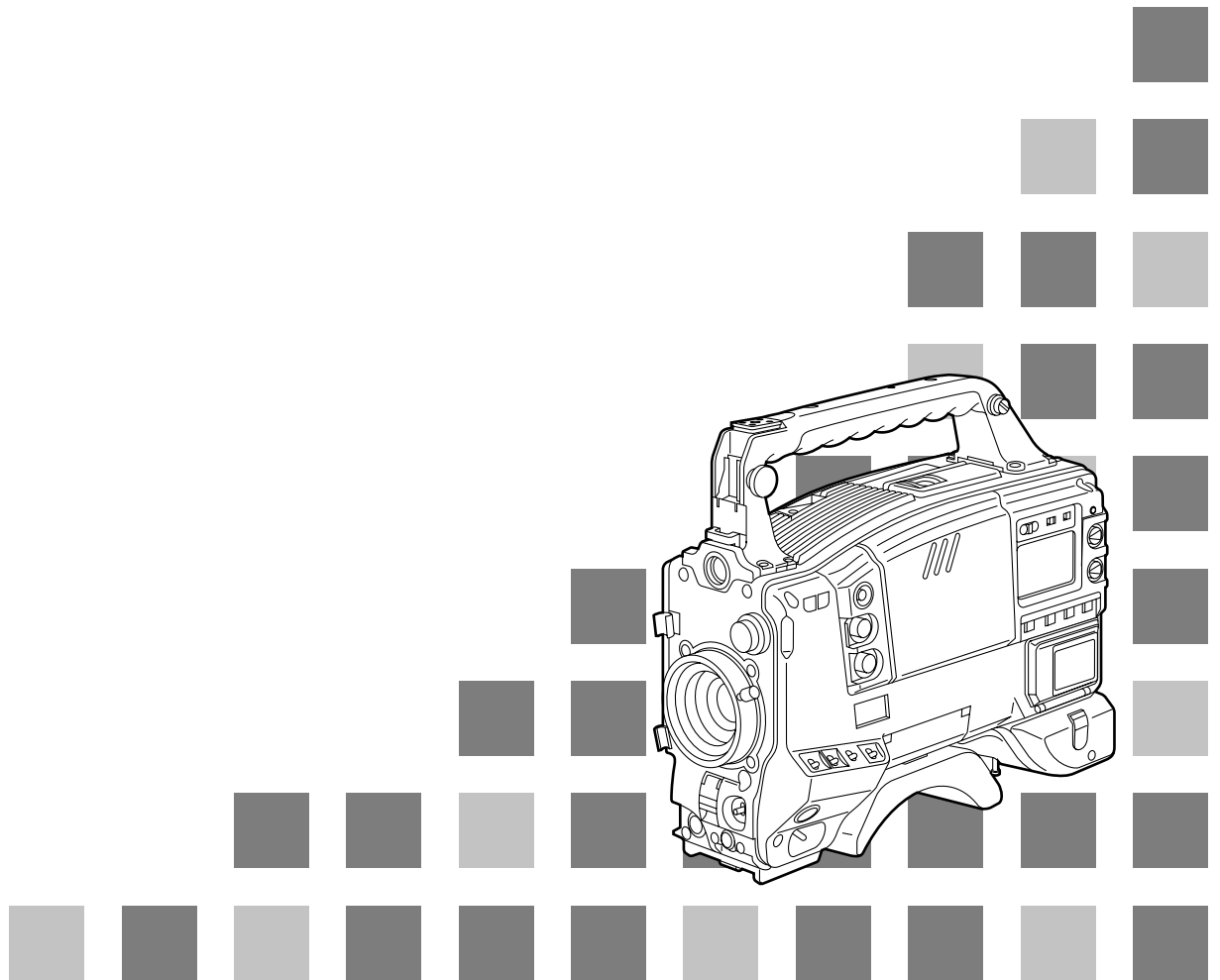
Panasonic

DVCPRO HD

Camera/VTR

AJ-HDC27V P

Operating Instructions





CAUTION
RISK OF ELECTRIC SHOCK
DO NOT OPEN



CAUTION: TO REDUCE THE RISK OF ELECTRIC SHOCK,
DO NOT REMOVE COVER (OR BACK).
NO USER SERVICEABLE PARTS INSIDE.
REFER TO SERVICING TO QUALIFIED SERVICE PERSONNEL.



The lightning flash with arrowhead symbol, within an equilateral triangle, is intended to alert the user to the presence of uninsulated "dangerous voltage" within the product's enclosure that may be of sufficient magnitude to constitute a risk of electric shock to persons.



The exclamation point within an equilateral triangle is intended to alert the user to the presence of important operating and maintenance (service) instructions in the literature accompanying the appliance.

WARNING:

TO REDUCE THE RISK OF FIRE OR SHOCK HAZARD, DO NOT EXPOSE THIS EQUIPMENT TO RAIN OR MOISTURE.

CAUTION:

TO REDUCE THE RISK OF FIRE OR SHOCK HAZARD AND ANNOYING INTERFERENCE, USE THE RECOMMENDED ACCESSORIES ONLY.

CAUTION:

TO REDUCE THE RISK OF FIRE OR SHOCK HAZARD, REFER CHANGE OF SWITCH SETTING INSIDE THE UNIT TO QUALIFIED SERVICE PERSONNEL.

FCC Note:

This device complies with Part 15 of the FCC Rules. To assure continued compliance follow the attached installation instructions and do not make any unauthorized modifications.

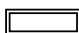
This equipment has been tested and found to comply with the limits for a class A digital device, pursuant to Part 15 of the FCC Rules. These limits are designed to provide reasonable protection against harmful interference when the equipment is operated in a commercial environment. This equipment generates, uses, and can radiate radio frequency energy and, if not installed and used in accordance with the instruction manual, may cause harmful interference to radio communications. Operation of this equipment in a residential area is likely to cause harmful interference in which case the user will be required to correct the interference at his own expense.

Replace battery with part No. CR2032 only. Use of another battery may present a risk of fire or explosion. Caution—Battery may explode if mistreated. Do not recharge, disassemble or dispose of in fire.



ATTENTION:

The product you have purchased is powered by a nickel cadmium battery which is recyclable. At the end of its useful life, under various state and local laws, it is illegal to dispose of this battery into your municipal waste stream. Please call 1-800-8-BATTERY for information on how to recycle this battery.

 indicates safety information.

Contents

Introduction	5	Screen displays	45
Features	5	Remaining battery charge and audio channel level and remaining tape displays	45
Features of the camera unit	5	Displays relating to errors and warnings	45
Features of the VTR unit	7	Displays relating to time codes	45
System configuration	8	Adjusting the date and time	46
Parts and their functions	9	Adjustments and setup using the setting menus	46
Power supply section	9	Adjusting the white balance and black balance	47
Accessory mounting section	9	Adjusting the white balance	47
Audio function section	10	Adjusting the black balance	51
Viewfinder section	12	Setting the electronic shutter	52
Shooting (recording)/playback function section ..	13	Shutter modes	52
Warning/status display section	18	Setting the shutter mode and speed	52
Menu operation section	19	Changing the shutter speed and mode selection range	53
Time code related section	19	Setting the synchro scan mode	53
Power supply	21	Variable frame rate	54
Using the Anton/Bauer battery pack	21	Setting the frame rate	54
Using the Panasonic AU-BP402 battery pack ..	22	Scan reverse	55
Using the Sony NP-1 battery pack	23	Setting the scan reverse	55
Using the Sony BP-90 battery pack	23	Adjusting the audio level	56
Using the Sony BP-L60/L90 lithium-ion battery ..	24	Manual audio level adjustments	56
Using an AC power supply when the AJ-B75 AC adapter is used	24	Limiter	56
Attaching the lens	25	Setting the time data	57
Adjusting the lens flange	26	Setting the user's bit	57
Adjusting the white shading	27	Setting the time code	58
Adjusting the viewfinder	29	Externally locking the time code	59
Attaching the viewfinder	29	How to use the user data	60
Detaching the viewfinder	29	Setup card operations	61
Adjusting the viewfinder position	30	Formatting the setup card	62
Audio input preparation	31	Saving the data settings on the card	63
When attaching a microphone to the viewfinder (optional accessory) for use	31	Loading the data saved on the card	65
When attaching a microphone to the main unit for use	32	Cassette tapes	66
When connecting a microphone to the MIC IN jack	33	Recording	67
When connecting a microphone to the AUDIO IN connector	33	Shooting	68
When using a wireless microphone	34	Scene-to-scene continuity	69
When connecting audio components	34	Playback (checking what has been recorded)	70
Mounting the unit on a tripod	35	Rec review	70
Attaching the shoulder strap	36	Color playback	70
Adjusting the shoulder pad position	36	Lens RET button functions	70
Attaching the rain cover	37	Other VTR functions	71
Connecting the extension control unit	37	NEWS REC function	71
Viewfinder lamp displays	38	RETAKE function	71
Setting the ⓘ lamp displays	39	INTERVAL REC (intermittent recording) function	71
Viewfinder screen status displays	40	Menu operations	72
Selecting the display items	42	Basic setting menu operations	73
Display modes and setting change messages ..	43	Displaying sub-menus and deciding on settings	74
Switching the display mode	44	Setting menu configuration	75
Setting the marker displays	44		
Setting the camera ID	44		

Contents

Setting menu screens79	<VTR MENUS>	
<CAM MENUS>		VTR MAIN MENU screen96
CAM MAIN MENU 1 screen79	FUNCTION screen97
CAM MAIN MENU 2 screen79	BATTERY/TAPE screen98
CAM MAIN MENU 3 screen79	BATTERY SETTING screen99
CAM MAIN MENU 4 screen79	VTR VF INDICATOR screen	100
CAM MAIN MENU 1		MIC/AUDIO screen	100
ROP screen80	TC/UB screen	102
MATRIX screen80	TIME DATE screen	104
COLOR CORRECTION 1 screen81	VTR USER MENU SELECT screen	104
COLOR CORRECTION 2 screen81	VTR CARD READ/WRITE screen	104
LOW SETTING screen82	VTR INITIALIZE screen	104
MID SETTING screen82	DIAGNOSTIC screen	104
HIGH SETTING screen83	<VTR USER MENU SELECT>	
ADDITIONAL DTL1 screen83	FUNCTION screen	105
ADDITIONAL DTL2 screen83	BATTERY/TAPE screen	105
SKIN TONE DTL screen84	VTR VF INDICATOR screen	106
KNEE/LEVEL screen84	MIC/AUDIO screen	106
GAMMA screen85	TC/UB screen	106
CAMERA SETTING screen85	Warning system107
CAM MAIN MENU 2		Emergency eject109
VF DISPLAY screen86	Error codes109
VF MARKER screen86	Maintenance110
VF INDICATOR screen87	Condensation110
CAMERA ID screen87	Head cleaning110
SHUTTER SPEED screen88	Cleaning inside the viewfinder110
ILED screen88	Phenomena inherent to CCD cameras110
CAMERA SW MODE screen89	Replacing the backup battery110
SUPER GAIN screen89	Inspections prior to shooting111
FRAME MODE screen89	Preparation for inspection111
CAM MAIN MENU 3		Inspecting the camera unit111
CAM CARD READ/WRITE screen90	Inspecting the viewfinder112
CAM CARD R/W SELECT screen90	Inspecting the aperture and zoom functions113
GENLOCK/IRIS screen91	Inspecting the VTR unit113
LENS ADJ screen91	Specifications115
CAM MAIN MENU 4			
CAM USER MENU SELECT 1 screen92		
CAM USER MENU SELECT 2 screen92		
CAM USER MENU SELECT 3 screen92		
BLACK SHADING screen93		
WHITE SHADING screen93		
FLARE screen93		
COLORIMETRY screen93		
INITIALIZE screen94		
DIAGNOSTIC screen94		
EVALUATION screen94		
OPTION screen94		

Introduction

The AJ-HDC27V integrates two units: 1) a high-definition (HD) color video camera featuring an IT-CCD equipped with a 1 million pixel on-chip lens that supports the full spectrum of HD TV (720P/59.94 Hz), and 2) a DVCPRO HD format VTR that incorporates the latest compression technology.

Featuring a 100 Mbps recording rate for the VTR as well, this unit is capable of recording images with an extremely high picture quality to achieve the highest performance and most sophisticated functions as an integrated camera/VTR for electronic field production (EFP) applications.

Furthermore, it is compact and lightweight, has low power consumption, and excels in achieving a high level of picture quality, sensitivity, and mobility, and is extremely dust-proof and moisture-proof. These are all attributes which enable the unit to be used for electronic news gathering (ENG) applications as well. Since digital signal processing is provided in both the camera unit and VTR unit, the picture quality is further improved while the unit's stability is also enhanced. Small multimedia cards or SD memory cards meeting global standards can be used for the camera and VTR setting data as part of a system which can accomplish data management.

Features

Features of the camera unit

The camera unit of the AJ-HDC27V has the following features.

- High sensitivity: 2000 lux, F12
(frame rate: 23.98 Hz, synchro scan: 50%)
- High signal-to-noise ratio: 54 dB (standard)
- Low smear
- Low flare

Digital signal processing

Analog signals are converted into digital signals through 10-bit A/D conversion at a sampling frequency of 74.1758 MHz. This processing not only enhances the picture quality, stability and reliability but it also enables the viewfinder screen displays and many of the adjustment and setup items to be configured in a menu-driven format.

Customized setting menus

The status displays, messages and marker displays are controlled using setting menus which are displayed on the viewfinder screen. The user can select whether or not to display certain items and under what conditions they are to be displayed to suit the user's convenience. For instance, the ON/OFF settings can be selected for eleven different statuses for the "!" lamp display which tells the user that the unit is experiencing some kind of problem.

The menus are also used to select settings and functions and execute memory card operations.

Setup card

Up to eight sets of setting menu data can be stored on SD card (Secure Digital Memory Card) and small multimedia cards (VW-MMC8) serving as setup cards. Organizing this data by set or by shooting conditions for storage is useful in reproducing the same setup states with ease and in ensuring consistency in the setup states from one set of data to the next.

High-performance electronic shutter

Use of the self-contained electronic shutter results in images with minimal shake even when the subject is fast-moving. Any of the following special modes can also be selected.

- Synchro scan mode

This is ideal for shooting the monitor screens of a personal computer or work station.

(20.0% to 99.5%)

Images with minimal horizontal stripe noise can be obtained in this mode.

Variable frame rate featured

The AJ-HDC27VP is the first camera/VTR in the world to feature a variable frame rate which allows the user to set the frame rate (shooting speed) from 4 frames/sec. (3.99 Hz) to 60 frames/sec. (59.94 Hz).

By making it possible to shoot with speed effects and create clearer slow-motion images and blur effects, this feature gives users the exciting opportunity to express a whole new dimension of moving images—a world which was hitherto confined to the field of film production—in their own video productions.

Features

Features of the camera unit

Wide-ranging video gain selection

A value ranging from -6 dB to $+30$ dB can be selected for the gain using the setting menu and GAIN switch. Even when the gain is increased for shooting in dark locations, images with minimal noise can be obtained because of the high signal-to-noise ratio. The super gain function can be allocated to the USER button, and 30 dB can be selected using this button.

Automatic adjustment of black balance and white balance, and memory function

The black balance and white balance can be adjusted automatically by means of some simple switch operations.

The adjustment settings remain stored in the memory even after the power has been turned off so that the need for the balance to be re-adjusted each time the power is turned on is obviated.

Two memories, A and B, are used to store the white balance, and it is possible to retain two adjustment settings per color temperature conversion filter, making for a total of 8 settings altogether.

When the color temperature conversion filter is rotated, it is automatically adjusted to the white balance. (Using menu settings, this can be set for two filters only rather than for each and every filter.)

When the unit is shipped, 3200 K is stored as the preset value for the white balance. This value can always be recalled when no time is available to perform adjustments.

(The preset value can be switched between 3200 K and 4300 K.)

Character display function

The unit comes with functions for showing the switch settings, automatic black balance and white balance adjustment statuses, warning displays, etc. on the viewfinder screen.

Moreover, when a battery in the Digital Magnum Series made by Anton/Bauer Corporation is used as the unit's power supply, the remaining battery charge can be displayed as a numerical value on the viewfinder screen.

Warning system for indicating VTR unit statuses

The user is alerted to problems in the VTR, tape-end, battery consumption, etc. by various alarm lamps and alarm tones. The remaining tape time can also be checked by a character display inside the viewfinder.

4-piece filter disc sets available as standard accessories

The filter best suited to the subject's brightness and color temperature can be selected. Two independent sets of filter discs, one for CC and one for ND, each with four filter discs, are provided as standard accessories.

Automatic aperture reference value finely adjusted

The reference value used for the automatic aperture adjustment can be finely adjusted by performing setting menu operations.

Generation of color bar signals and reference audio signals

The unit contains a circuit for generating color bar signals so that a color monitor can easily be adjusted. It also incorporates a circuit for generating reference level audio signals to enable the audio level to be adjusted with ease.

Functions and circuits for assuring high picture quality

Equipped with the following functions (or circuits) to guarantee that the picture quality will be high, the unit is designed to take advantage of the merits of its high-performance CCD to the maximum extent possible.

- AUTO KNEE circuit for achieving a wide dynamic range through which strong signals can pass.
- Built-in 2-line image enhancer
- Built-in shading compensation function for when the lens extender is used
- Built-in sawtooth wave generator for use with adjustments
- 2-level zebra pattern to enable 3 kinds of patterns including spot zebra to be selected
- ON/OFF selector switch for zebra patterns (viewfinder)

Remote control

Remote control of the basic operations and adjustments of the camera unit and VTR unit is enabled by connecting the extension control unit (optional accessory AJ-EC3).

Features

Features of the VTR unit

Digital system

The pictures are compressed by a component digital recording system that uses the latest compression technology while non-compression PCM recording featuring excellent signal-to-noise ratio, frequency band, waveform characteristics and reproduction of detailed areas is employed for the sound. The result is an even higher picture and sound quality.

Power saving management (SAVE REC) function

When this unit is used for recording, its playback system circuitry is shut down. The output of signals to the HD SDI OUT connector is also shut down when the cable has not been connected so that the unit's power can be conserved while the unit is being operated.

Scene-to-scene continuity

Simply by pressing the VTR START button or lens VTR button, continuity between the scenes is obtained at a precision of 0 to +1 frame.

Rec review function

The last 2 to 10 seconds of a recording are automatically rewound and played back to enable the user to quickly check what has been recorded.

Playback function

This function enables the playback picture (in black and white) to be viewed on the viewfinder screen. Color playback pictures can be output from the HD SDI OUT connector.

Built-in time code generator/reader

The same or separate time code information can be recorded on the dedicated sub-code track and video AUX area, and played back.

External locking of time code

The built-in time code generator can be locked to an external generator. A lithium battery is used as the backup power supply of the built-in time code generator to back up the memory data for about a year even when no power is supplied to the unit.

Tape management information

This camera/VTR automatically stores as the tape management information both the frame rate information which indicates the shooting speed and the active frame information which indicates the first frame where the frame image was switched in the user's bit of the sub-code track area (this used to be the LTC area).

Built-in DOLBY NR system

The cue audio recording circuitry contains a Dolby B noise reduction circuit.

Audio functions

- A phantom power supply type of microphone (optional accessory) with sharp directivity characteristics can be attached. It can also be detached from the unit for use as an interview microphone.
- Other kinds of microphones can also be connected and, using the model AJ-MH700P microphone holder (optional accessory), attached to the unit.

NEWS REC function

This function especially supports shooting in the context of news gathering or documentary filming to ensure that no opportune shutter opportunities are passed up.

In other words, by controlling the start key acknowledgment time, the unit can continuously record without the user having to interrupt the recording: this safeguards against the failure to record those precious moments—a failure that occurs when recording is resumed after it has been shut down temporarily.

RETAKE function

This function is for not leaving behind superfluous cuts when a cut turns out to be no good during the shooting of news, reports or art programs.


Users should remember to handle this function very carefully.

If there is enough leeway in the shooting time and a particular cut is clearly judged to be no good, the tape is rewound to the start of the cut concerned and the rec pause (rec standby) mode is established by operating the MODE CHECK button and lens RET button. Since recording is now commenced from that point on the tape, the no-good cut will be deleted. In order to prevent the cut prior to the no-good cut from being deleted, a part of the no-good cut equivalent to ten or so frames is left behind.

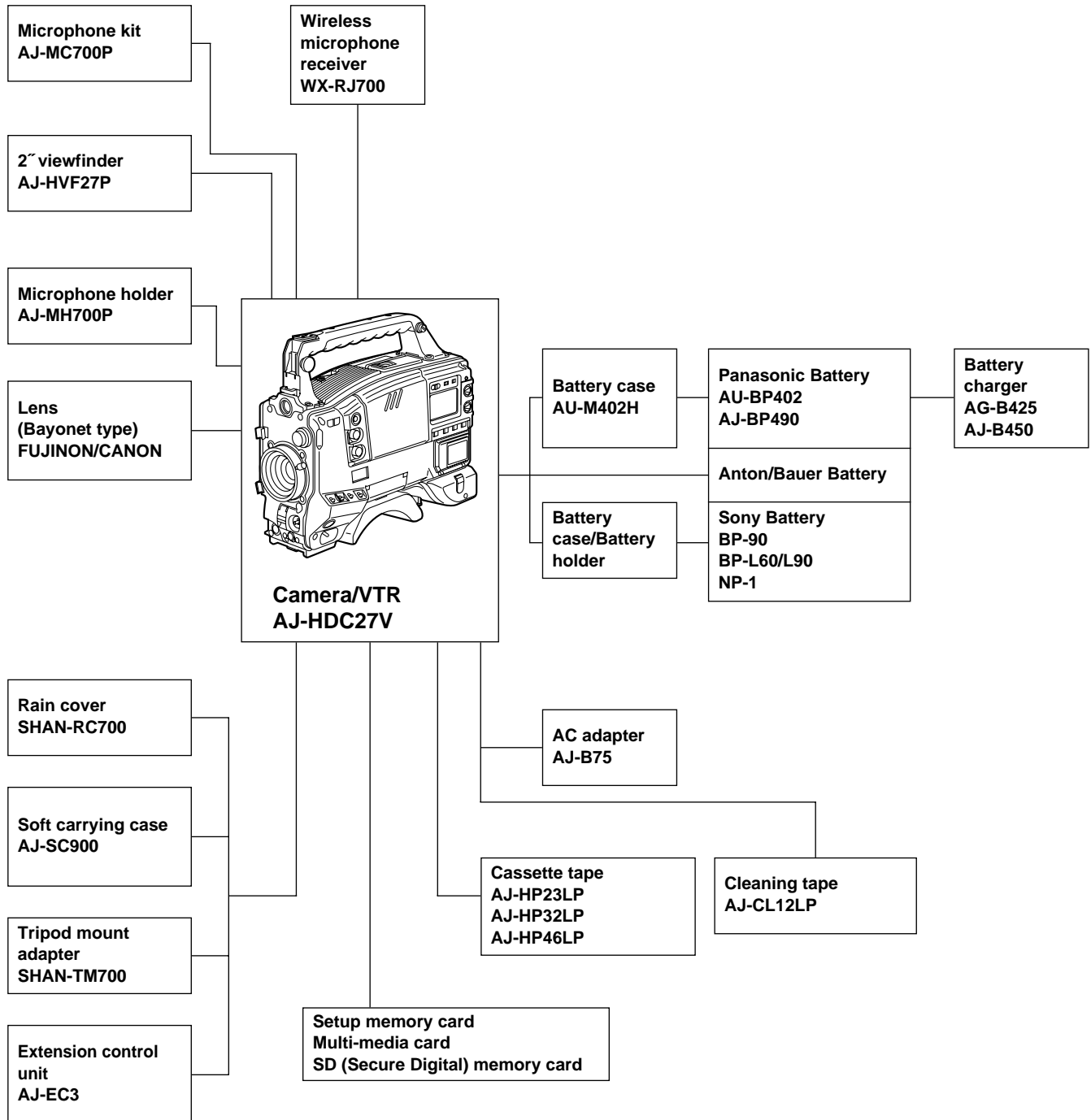
By cutting down on the time taken for copying onto the work tape, for instance, this function is very effective in achieving economical operation.

INTERVAL REC function

This function makes simple interval shooting possible. It proves to be very effective when shooting programs with a nature theme or art programs.

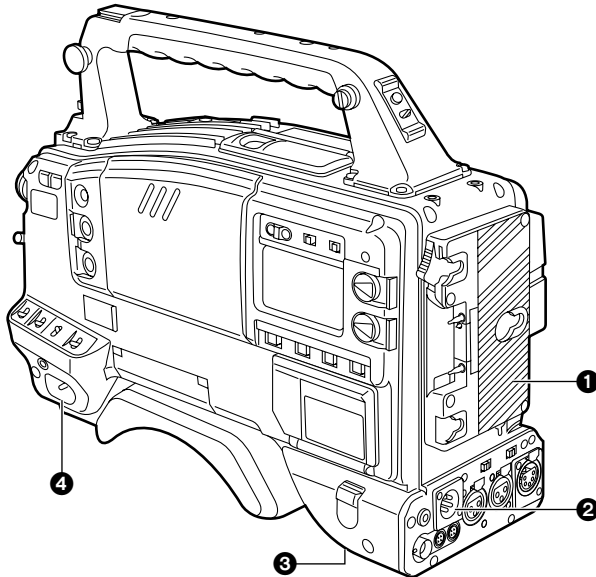
- Dolby noise reduction manufactured under license from Dolby Laboratories Licensing Corporation.
- "DOLBY" and the double-D symbol  are trademarks of Dolby Laboratories Licensing Corporation.

System Configuration



Parts and their functions

Power supply section



1 Battery mount

This is for attaching the Anton/Bauer battery pack.

2 DC IN (external power input) socket (XLR, 4P)

When operating this unit using an AC power source, this socket is connected to the model AJ-B75 AC adapter (optional accessory).

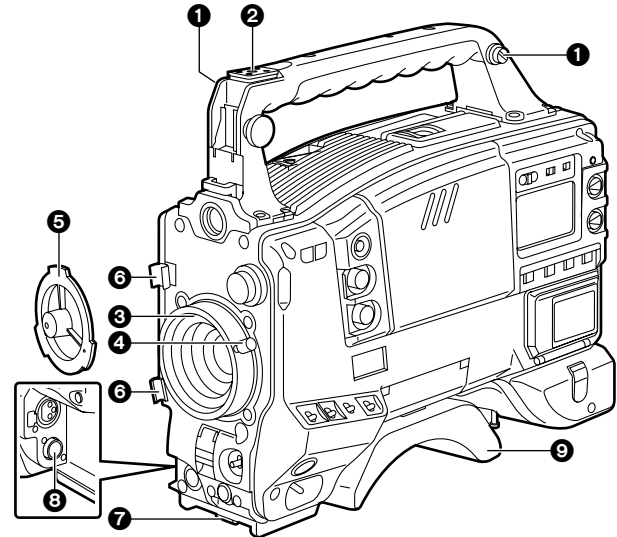
3 BREAKER button

To protect the equipment, the circuit breaker is tripped when an overcurrent flows inside the unit, and the power is automatically turned off. Push this button to the pushed-in position after performing internal inspections and adjustments. If there is no problem, the power will be turned back on.

4 POWER switch

ON : Set here to turn on the power.
OFF: Set here to turn off the power.

Accessory mounting section



1 Hooks for attaching shoulder strap

Attach the ends of the accessory shoulder strap to these hooks.

2 Light shoe

Use this to attach the video light, etc.

3 Lens mount (Bayonet type)

Use this to attach the lens.

4 Lever for securing lens

Insert the lens into the lens mount 3, and turn the lens mount ring using this lever to secure the lens.

5 Lens mount cap

To remove the cap, push the lever for securing the lens 4 up.
Keep the cap in place while the lens is not attached.

6 Lens cable/microphone cable clamp

This clamp is for anchoring the lens cable or microphone cable.

7 Tripod mount

Mount the tripod attachment (SHAN-TM700), available as an optional accessory, when the unit is to be anchored to the tripod.

8 LENS terminal (12-pin)

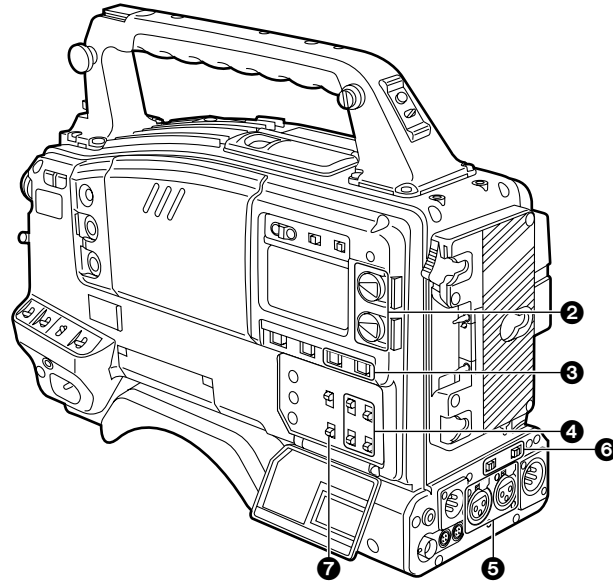
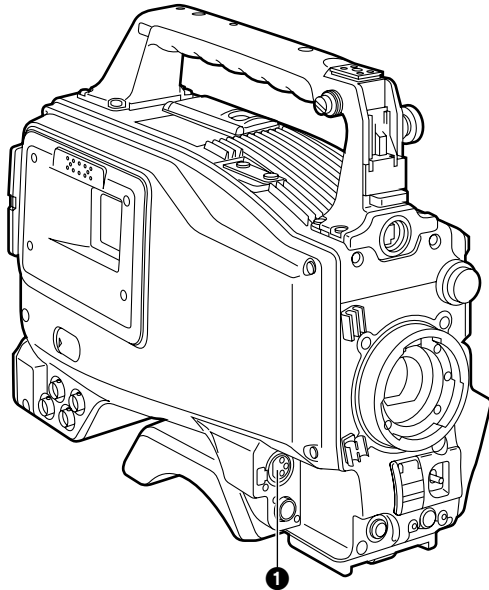
The connecting cable of the lens is connected here.
For details concerning the lenses that can be used, consult your dealer.

9 Shoulder pad

This pad can be adjusted to facilitate operation when the unit is operated on the user's shoulder.
The pad position can be moved forward or backward when the two securing screws are loosened.

Parts and their functions

Audio function section (1)



① MIC IN (microphone input) jack (XLR, 3-pin)

Connect the microphone (optional accessory) here. The power for the microphone is supplied from this jack.

② AUDIO LEVEL CH1/CH2 (audio channel 1 & 2 recording level adjustment) controls

When the AUDIO SELECT CH1/CH2 switch ③ is set to MAN, the recording level of audio channels 1 and 2 can be adjusted using these controls.

③ AUDIO SELECT CH1/CH2 (audio channel 1 & 2 automatic/manual level adjustment selector) switch

This is used to select the method for adjusting the audio levels of audio channels 1 and 2.

AUTO : Set here for automatic adjustment.

MAN : Set here for manual adjustment.

④ AUDIO IN (audio input selector) switch

This is used to select the input signals to be recorded on audio channels 1 and 2.

FRONT : The input signals supplied from the microphone which has been connected to the MIC IN jack ① are recorded.

REAR : The audio input signals supplied from the audio component which has been connected to the AUDIO IN CH1/CH2 connectors ⑤ is recorded.

⑤ AUDIO IN CH1/CH2 (audio input channel 1 & 2) connectors (XLR, 3-pin)

An audio component or microphones are connected here.

⑥ LINE/MIC/+48V (line input/mic input/mic input + 48V) selector switch

This is used to switch the audio input signals from the audio component which has been connected to the AUDIO IN CH1/CH2 connectors ⑤.

LINE : The audio input signals from the audio component serving as the line input are selected.

MIC : The audio input signals from the internal power supply type of microphone are selected. (The phantom mic power is not supplied from the unit.)

+48V : The audio input signals from the external power supply type of microphone are selected. (The phantom mic power is supplied from the unit.)

⑦ CUE switch

CH1 : The audio CH1 signals are recorded on the cue track.

MIX : Audio CH1 and CH2 mixed signals are recorded on the cue track.

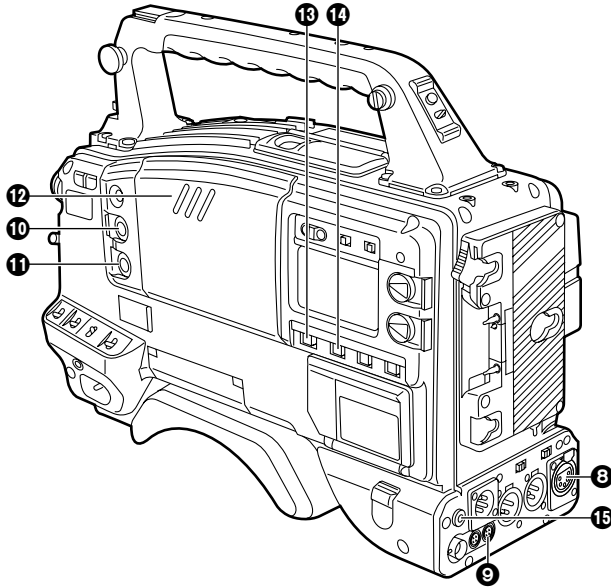
CH2 : The audio CH2 signals are recorded on the cue track.

<Note>

This switch can be made ineffective using the VTR MAIN MENU. (See page 101)

Parts and their functions

Audio function section (2)



8 AUDIO OUT connector (XLR, 5-pin)

This is connected to the audio component. The sound of audio CH1 and the sound of audio CH2 are output separately. The switching of the recording sound and playback sound is coupled with the setting of the MONITOR OUT SDI switch. (No sound will be output when the SDI switch is at OFF.)

9 DC OUT (DC power output) socket

This is the DC 12 V output socket. A current of approximately 100 mA can be supplied.

10 ALARM (warning alarm volume adjustment) control

This is used to adjust the volume of the warning alarms from the earphone which has been connected to the speaker 12 or PHONES jack 15. The warning alarms are not audible when this control is at its lowest setting.

11 MONITOR (volume adjustment) control

This is used to adjust the volume of all the sound delivered through the speaker or earphone except for the warning alarms. The sound is not audible when this control is at its lowest setting.

12 Speaker

The EE sound during recording or the playback sound during playback can be monitored through this speaker.

The warning alarms are output in synchronization with the flashing or lighting of the warning lamps and warning displays.

The sound heard from the speaker is automatically cut off when the earphone is connected to the PHONES jack 15.

13 MONITOR SELECT (audio channel selector) switch

This is used to select the audio channels whose sound is to be output from the speaker or microphone.

CH1: The audio CH1 signals are output.

1/2: The audio CH1 and CH2 mixed signals or stereo audio signals are output. However, only mixed signals are output through the speaker.

CH2: The audio CH2 signals are output.

14 MONITOR (audio selector) switch

This is used to select the sound which is to be output to the earphone when "1/2" has been selected by the MONITOR SELECT switch 13.

ST: The audio CH1 and CH2 stereo audio signals are output.

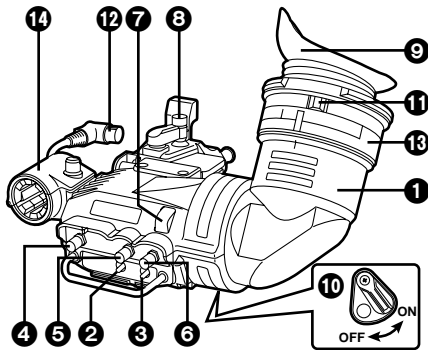
MIX: The audio CH1 and CH2 mixed audio signals are output.

15 PHONES (earphone) jack (mini jack)

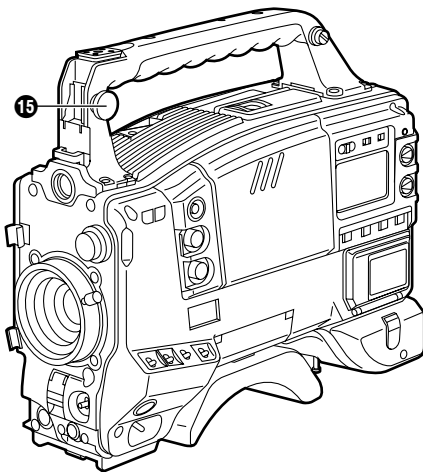
When an earphone (optional accessory) is connected, the sound selected by the MONITOR switch 14 can be heard from the earphone. In addition, the warning alarms relating to the unit's operations or statuses can be heard through the earphone. An earphone which is capable of delivering a sufficiently high volume is recommended. However, when the earphone is connected, the sound heard through the speaker 12 will be automatically cut off.

Parts and their functions

Viewfinder section



(Viewfinder pictured here is the AJ-HVF27P)



(For details concerning the viewfinder, refer to the operating instructions of the viewfinder.)

1 Viewfinder (optional accessory)

While recording or playback is underway, pictures can be viewed through the viewfinder in black and white. The warning displays concerning the unit's operation statuses and settings, messages, zebra patterns and markers (safety zone markers and center marker) can also be seen in the viewfinder.

2 ZEBRA (zebra pattern) switch

This is used to display the zebra pattern in the viewfinder.

ON : The zebra pattern is displayed.

OFF: The zebra pattern is not displayed.

When the unit is shipped, the zebra pattern is set so that an area of less than 85% is displayed with a video level of at least 70% or so. Using the setting menu, this area can be set between 50% and over 110% or at a constant level.

3 TALLY switch

This is used to control the front tally lamp 7.

HIGH : The brightness of the front tally lamp is increased.

OFF : The front tally lamp is turned off.

LOW : The brightness of the front tally lamp is reduced.

4 PEAKING control

This is used to adjust the outlines of the images seen inside the viewfinder to make focusing easier. Its adjustment does not affect the output signals of the camera.

5 CONTRAST control

This is used to adjust the contrast of the picture seen inside the viewfinder. Its adjustment does not affect the output signals of the camera.

6 BRIGHT control

This is used to adjust the brightness of the picture seen inside the viewfinder. Its adjustment does not affect the output signals of the camera.

7 Front tally lamp

This lamp is activated when the TALLY switch 3 is set to the HIGH or LOW position, and it lights while the VTR unit is recording. It also flashes to provide a warning display like the REC lamp inside the viewfinder. The lamp's brightness when it is lighted can be selected using the TALLY switch (HIGH or LOW).

8 Lever for securing the viewfinder in the back/front and sideways directions

This lever is loosened when the viewfinder position is to be adjusted in the back/front and/or sideways directions.

9 Eyepiece

10 Back tally lamp

This lamp lights while the VTR unit is recording. It also flashes to provide a warning display like the REC lamp inside the viewfinder.

When the lever is set to OFF, the back tally lamp is hidden.

11 Diopter adjustment ring

This is adjusted in line with the camera operator's diopter in such a way that the user can see the image on the viewfinder screen most clearly.

12 Connecting plug

13 Locking ring

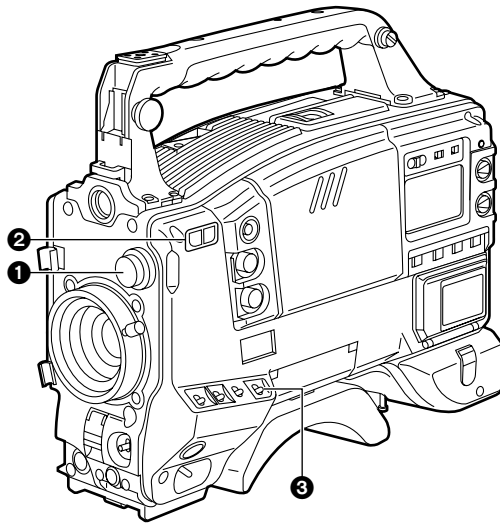
14 Microphone holder

15 Viewfinder stopper screw

To detach the viewfinder from the camera, first loosen the stopper screw, and then remove the viewfinder.

Parts and their functions

Shooting (recording)/playback function section (1)



1 CC FILTER/ND FILTER (filter selector) control

This is used to select the filter to match the light source which is illuminating the subject. If the control setting is changed while the menu display mode is set to "3" (default setting), the new setting will appear at the setting change message display area of the viewfinder screen.

Control settings and filter selection

CC FILTER control (large diameter) setting	CC filter selection
A	Cross filter
B	3200 K
C	4300 K
D	6300 K

ND FILTER control (small diameter) setting	ND filter selection
1	CLEAR (Transparent)
2	1/4 ND
3	1/16 ND
4	1/64 ND

- The two types shown above are provided for filter combinations.

Examples of filter selection

Shooting conditions	CC filter	ND filter
Sunrise, sunset, inside a studio	B (3200 K)	1 (CLEAR)
Outdoors under a clear sky	C (4300 K) or D (6300 K)	2 (1/4 ND) or 3 (1/16 ND)
Outdoors under cloudy or rainy skies	D (6300 K)	1 (CLEAR) or 2 (1/4 ND)
Snowscapes, high mountains, seashores or other perfectly clear scenery	C (4300 K) or D (6300 K)	3 (1/16 ND) or 4 (1/64 ND)

2 Synchro scan adjustment switches

These switches become effective when the shutter switch 7 is set to ON and synchro scanning is selected. They are used to adjust the synchro scan speed.

When the "-" switch is pressed, the shutter speed is reduced; conversely, when the "+" switch is pressed, it is increased.

During personal computer monitor shooting, etc. adjust these switches to the positions where the horizontal bar noise inside the viewfinder is decreased.

3 WHITE BAL (white balance memory selector) switch

PRST : Set the switch to this position in cases where there is not enough time to adjust the white balance. The 3200 K white balance value is stored in the memory. (This can be changed to 4300 K.)

A or B : When the AUTO W/B BAL switch 6 is set to AWB, the white balance is automatically adjusted to match the setting position of the CC FILTER control 1, and the adjustment value is stored in memory A or memory B.

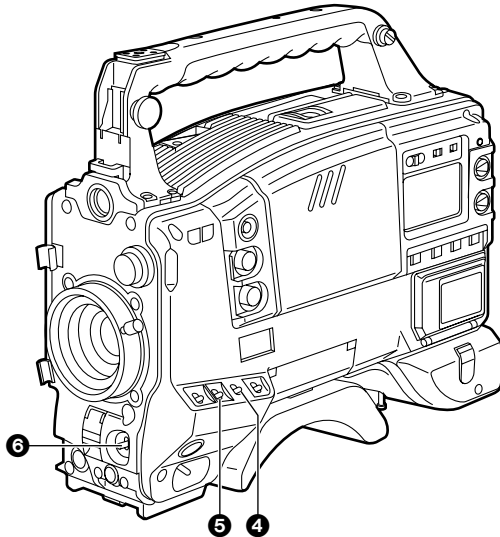
When the CC FILTER control and the WHITE BAL switch are set to the same positions as they were when adjustment was performed, the adjustment value stored in the memory is recalled, and the unit is automatically adjusted to the white balance that corresponds to this value.

If this switch setting is changed while the menu display mode is set to "3" (default setting), the new setting will appear at the WHITE BAL switch display position on the viewfinder screen.

(Example: "A")

Parts and their functions

Shooting (recording)/playback function section (2)



4 OUTPUT (output signal selector)/AUTO KNEE switch

This is used to select the video signals which are to be output from the camera unit to the VTR unit, viewfinder and video monitor.

The AUTO KNEE function can be used when the pictures shot by the camera are selected.

■ OUTPUT/AUTO KNEE switch setting position

BARS	Color bar signals are output. The AUTO KNEE circuit is not activated. Use this position in the following circumstances. <ul style="list-style-type: none"> ● When the video monitor is to be adjusted ● When the color bar signals are to be recorded
CAM. AUTO KNEE OFF	The pictures shot by the camera are output. The AUTO KNEE circuit is not activated. MANUAL KNEE is selected as the default setting.
CAM. AUTO KNEE ON	The pictures shot by the camera are output. The AUTO KNEE circuit is activated.

AUTO KNEE function

If the level is adjusted to people or scenery for shooting when the background is very bright, the background becomes subject to white-out, causing the buildings and scenery in the background to be blurred. When the AUTO KNEE function is activated in a situation like this, the background can be reproduced distinctly. This function is very effective for shooting in the following situations.

- When shooting people in the shade under a clear sky
- When shooting people inside a vehicle or a building and outdoor scenery seen through windows at the same time
- When shooting scenes with a high contrast

5 GAIN (gain selector) switch

This is used to select the gain of the video amplifier in accordance with the lighting status during shooting. The gain values corresponding to the L, M and H settings are specified by the setting menu ahead of time. The settings at shipment are 0 dB for L, 6 dB for M, and 12 dB for H.

If this switch setting is changed while the display mode is set to "3," the new setting will appear at the gain display position on the viewfinder screen. (Example: "12 dB")

6 AUTO W/B BAL (automatic white balance/black balance adjustment) switch

AWB: This is selected when the white balance is to be adjusted automatically. When the WHITE BAL switch (3) is set to "A or B" at this time, the adjusted value will be stored in memory A or memory B.

ABB : This is selected for automatically adjusting the black balance.

The adjusted value is stored in a dedicated memory.

Black shading is automatically corrected when SHD and ABB SW CTRL on the OPTION screen of CAM MAIN MENU 4 are set to ON and the AUTO W/B BAL switch is pressed continuously for 8 seconds or more on the ABB side.

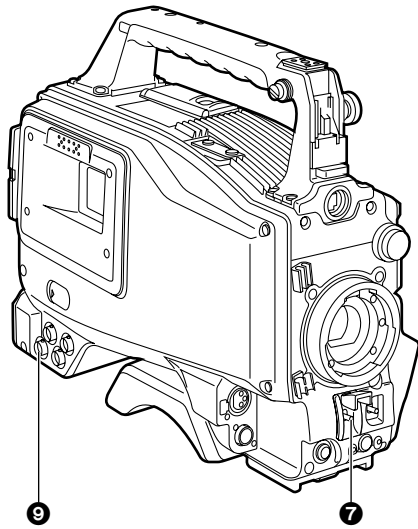
<Note>

When white balance or black balance are being automatically adjusted and the switch is pressed again to either the AWB side or to the ABB side, the automatic adjustment for the side pressed will be stopped.

The adjusted value in this case is the value before automatic adjustment was performed.

Parts and their functions

Shooting (recording)/playback function section (3)



7 SHUTTER switch

This is set to ON when the electronic shutter is to be used. When the SEL side is pressed, the shutter speed and mode display are changed in the range which was set ahead of time in the setting menu.

If this switch setting is changed while the display mode is set to "2" or "3," the new setting will appear at the shutter display position on the viewfinder screen.

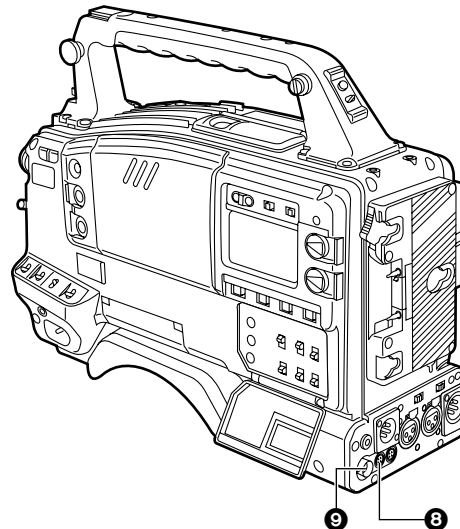
(Example: "1/120", "50%")

8 ECU REMOTE (remote control) connector (6-pin)

The AJ-EC3 extension control unit (optional accessory) is connected here.

<Note>

Before connecting or disconnecting the remote control cable, be absolutely sure to set the POWER switches on the unit and extension control unit to the OFF position.



9 HD SDI OUT connector (BNC)

The HD SDI signals (video and audio) for the monitor in accord with the position of the MONITOR OUT SDI switch 10 are output from here.

When the SDI switch is at "EE/PB," the EE video and EE audio signals will be output during recording and the playback video and playback audio signals will be output during playback.

When the SDI switch is at "EE," the camera video signals are output at all times.

When the CHARACTER switch is set to ON while performing the menu settings, it is possible to superimpose the setting menus onto the pictures being shot so that they can be checked on the monitor screen.

The user's bit is also output from the HD SDI OUT connector.

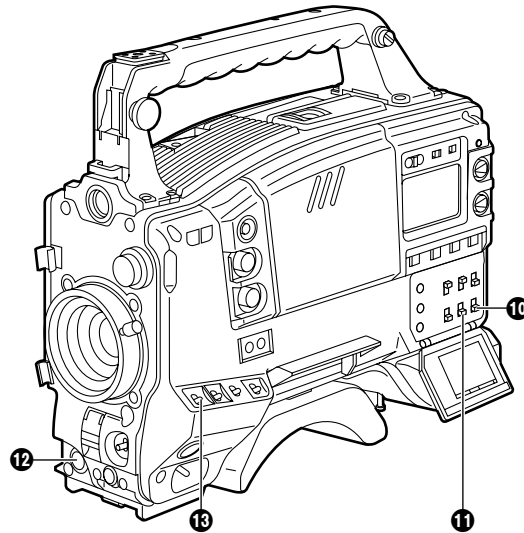
The active frame information is output in the least significant digit of the user's bit while the frame rate information is output in its lower third and fourth digits.

<Note>

In order for the time code that matches the playback time code, which is output from the HD SDI OUT connector, to be output from the TC OUT connector, set the SDI switch to "EE/PB," and select "TCG/TCR" as the TC OUT item setting on the TC/UB screen.

Parts and their functions

Shooting (recording)/playback function section (4)



10 SDI switch

This is used to select the video and audio signals which are to be output from the HD SDI OUT connector and the audio signals which are to be output from the AUDIO OUT connectors.

EE/PB: During playback, the playback video and playback audio signals are output; in all other modes, the EE video and EE audio signals are output.

EE : The EE video and EE audio signals are output at all times.

OFF : Signal output is stopped. (This serves effectively as a power-conserving mode.)

<Note>

With the settings at shipment, this function does not work at the OFF position when a cable is connected to the HD SDI OUT connector. For further details, refer to the FUNCTION screen (page 97) of the VTR menu.

During recording, the HD SDI OUT output signals cannot be switched from ON to OFF or vice versa. The status set prior to the commencement of recording is maintained.

11 CHARACTER switch

This controls whether the characters are to be superimposed onto the pictures which are output from the HD SDI OUT connector.

ON : The characters are superimposed.

OFF: The characters are not superimposed.

12 VTR START button

When this is pressed, recording starts; when it is pressed again, recording stops.

This button functions in the same way as the lens VTR button.

13 VTR SAVE/STBY (tape protection) switch

This is used to select the power supply mode when the VTR has temporarily stopped recording (REC PAUSE mode).

SAVE: This is the tape protection mode. The cylinder is stopped in the half-loading status. Less power is consumed than at the STBY position, and the operating time provided by the battery is prolonged. Compared with the STBY position, it takes longer for recording to commence after the VTR START button 12 has been pressed.

When the switch is set to this position, the VTR SAVE lamp inside the viewfinder lights.

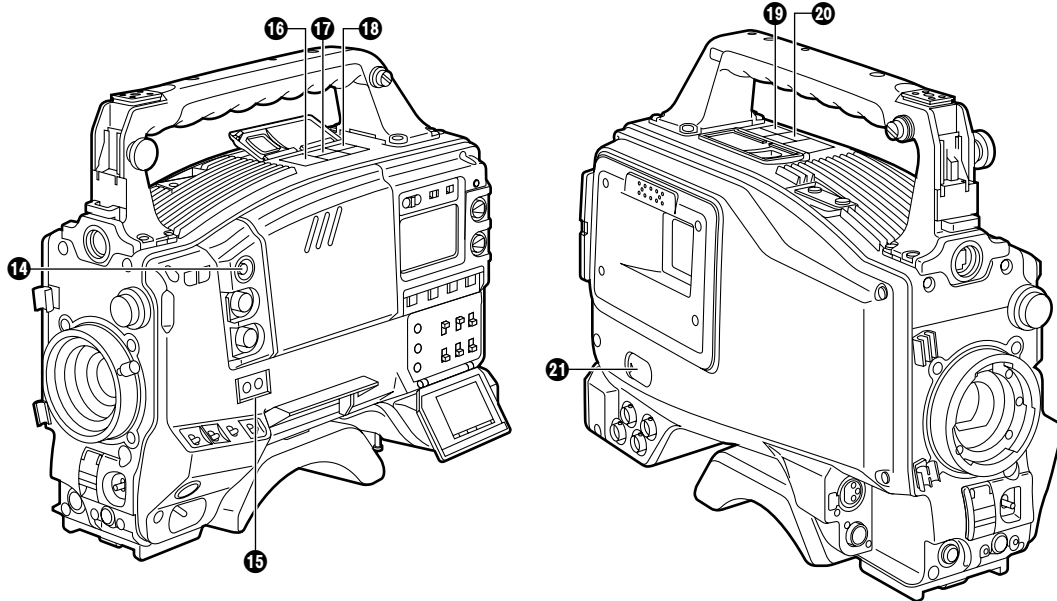
STBY : At this position, recording is commenced as soon as the VTR START button is pressed.

<Note>

When the prescribed amount of time has elapsed in the STBY mode, the unit is automatically set to the SAVE mode. To return the unit to the STBY mode, set the VTR SAVE/STBY switch to SAVE, and then again to the STBY position.

Parts and their functions

Shooting (recording)/playback function section (5)



14 MODE CHECK button

While this button is held down, the camera's setting mode is shown in the viewfinder. This does not affect the output signals of the camera.

15 USER 1 and USER 2 buttons

A user setting can be allocated to each of these buttons using the setting menu. When a button is pressed, the user setting mode allocated to it is selected. When the button is pressed again, the selected mode is released.

16 EJECT button

This is pressed to insert or eject the cassette.

17 REW button

This is pressed to rewind the tape. The button's lamp comes on during rewinding. When it is pressed during playback, the tape will be reviewed (rewound and played back) at about twice the regular speed while the button is held down.

18 FF button

This is pressed to fast forward the tape. The button's lamp comes on during fast forwarding. When it is pressed during playback, the tape will be cued (fast forwarded and played back) at about twice the regular speed while the button is held down.

19 PLAY/PAUSE button

This is pressed to view the playback picture on the viewfinder screen or using a color video monitor. The button's lamp comes on during playback. When it is pressed during playback, the unit is set to pause in the playback mode (PLAY PAUSE), and the button's lamp flashes. If the unit is left in the pause mode for two minutes, it automatically changes to the stop (STOP) mode.

20 STOP button

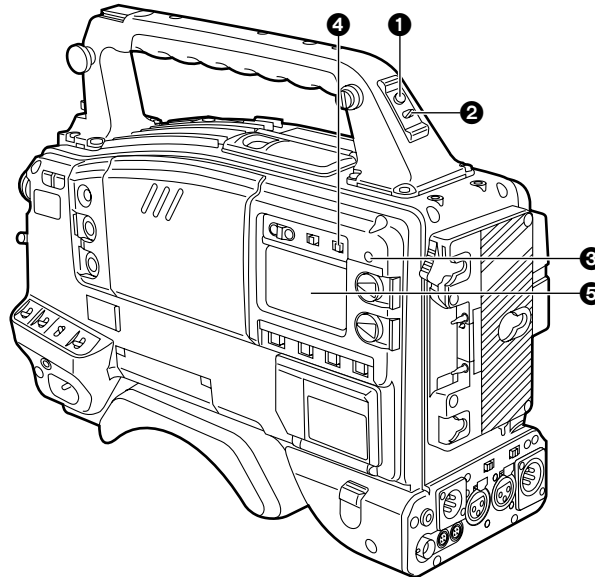
This is pressed to stop the tape travel.

21 EMERGENCY screw (inside rubber cap)

If the cassette does not eject even when the EJECT button is pressed, use a screwdriver or similar implement to push and turn the EMERGENCY screw at the same time: this will cause the cassette to be ejected.

Parts and their functions

Warning/status display section



❶ Back tally lamp (unit)

When the back tally switch ❷ is set to ON, this lamp serves the same function as the front tally lamp in the viewfinder.

❷ Back tally switch

This is used to control the unit's back tally lamp ❶.

ON : The unit's back tally lamp is operational.

OFF: The unit's back tally lamp is not operational.

❸ WARNING lamp

When a problem of some form or other occurs within the VTR unit, this lamp flashes or lights.

❹ LIGHT switch

ON : The display window ❺ is illuminated.

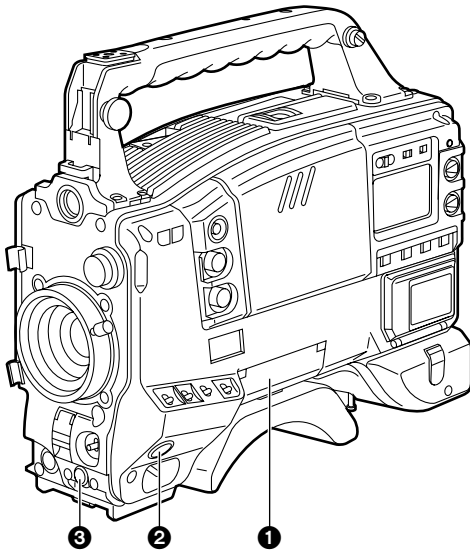
OFF: The illumination of the display window is turned off.

❺ Display window

This displays the alarms, remaining battery charge, audio levels, time data, etc. relating to the VTR unit.

Parts and their functions

Menu operation section



1 Setup card insertion slot

The setup card, available as an optional accessory, is inserted into this slot.

2 MENU button

When this is pressed, the camera unit's user menu screen, which was set at the time of shipment, appears.

When it is pressed again, the VTR unit's user menu screen appears.

When it is pressed once more, the menu screen display is cleared.

The selection of the menu for the user menu can be changed on the USER MENU SELECT screen.

3 JOG dial button

When this dial button is turned while the menu screen is displayed, the cursor is moved to each of the setting items.

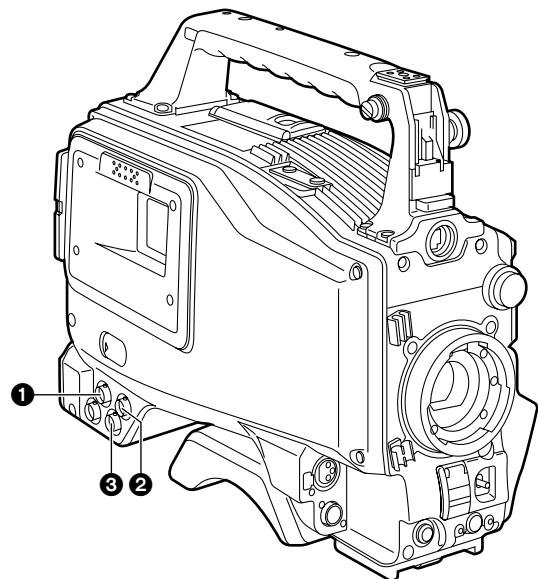
The menu items are set by operating this dial button.

There are two types of menus, MAIN and SUB, and each menu is displayed on a page-by-page basis.

The menu configuration can be changed to suit the desired objective.

For details on the menu operation method, refer to "Menu operations" on pages 72 to 74.

Time code related section (1)



1 GENLOCK IN connector (BNC)

Supply the analog HD reference signal to this connector for gen-locking the camera unit or when externally locking the time code.

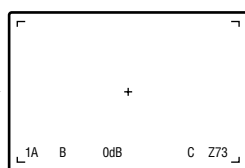
2 TC IN connector (BNC)

Supply the time code which will serve as the reference to this connector when externally locking the time code.

3 TC OUT connector (BNC)

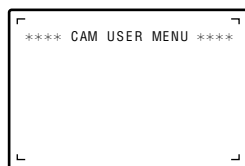
To lock the time code of an external VTR to the unit's time code, connect this connector to the time code input (TC IN) connector on the external VTR.

When the power is turned on



Status display

Press the MENU button.



Camera unit's user menu

Press the MENU button.

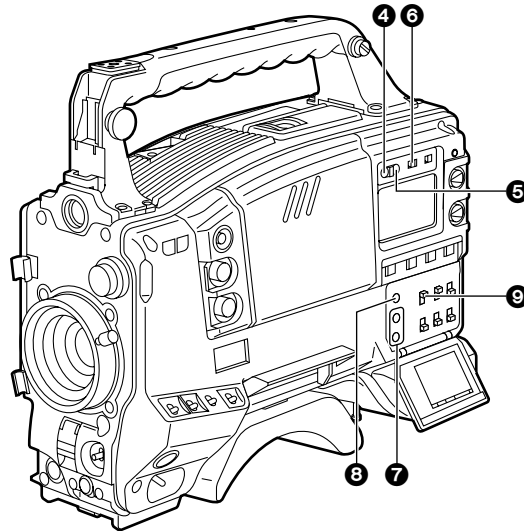


VTR unit's user menu

Press the MENU button.

Parts and their functions

Time code related section (2)



④ HOLD button

The time data display of the counter display section which was on the screen at the moment when this button is pressed is held. (However, the time code generator keeps running.) When the button is pressed again, the hold status is released.

It is used, for instance, to find out the time at which a particular scene was shot.

<Note>

If the HOLD button is pressed and held down while the DISPLAY switch ⑥ has been set to UB, "HOLD" on the counter display flashes, and the button functions to display the VITC user's bit information recorded in the video AUX area on the counter display section.

⑤ RESET button

This is used to reset the time data on the counter display section to "00:00:00:00." If it is pressed while the TCG switch ⑨ is at the SET position, the time code data and user's bit data are respectively reset to "00:00:00:00."

⑥ DISPLAY switch

This is used to display the time code, CTL or user's bit on the counter display section depending on the setting positions of this switch and the TCG switch ⑨.

- UB : The user's bit is displayed.
- TC : The time code is displayed.
- CTL : CTL is displayed.

⑦ "+" button, "-" button

These are used to increment or decrement by 1 the figure in the digit which was made to flash by the SHIFT button ⑧ when the time code or user's bit is to be set.

⑧ SHIFT button

This causes the digit to be set to flash when the time code or user's bit is to be set.

⑨ TCG (time code selector) switch

This is used to set the running mode of the built-in time code generator.

F-RUN : Set here to have the time code run all the time regardless of the VTR's operation.
This position is used to align the time code with the time or externally lock the time code.

SET : Set here when the time code or user's bit is to be set.

R-RUN : Set here to have the time code run only during recording.

The time code on the tape with scene-to-scene continuity is recorded continuously.

Power supply

A battery pack or an AC power source can be used as this unit's power supply.

To use the battery pack, there is a choice of three makes of batteries, namely:

- Panasonic
- Anton/Bauer
- Sony

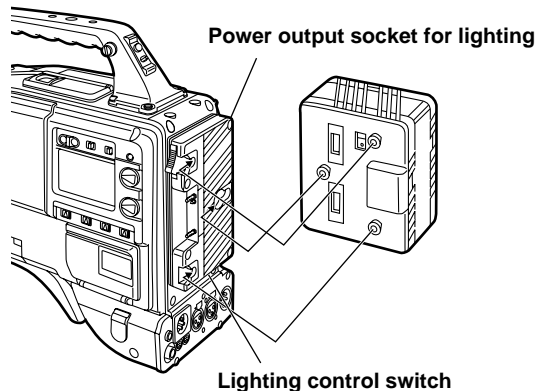
<Note>

Batteries of other makes can also be supported by changing the setting menu but no guarantees are made for the system when they are actually used with this unit.

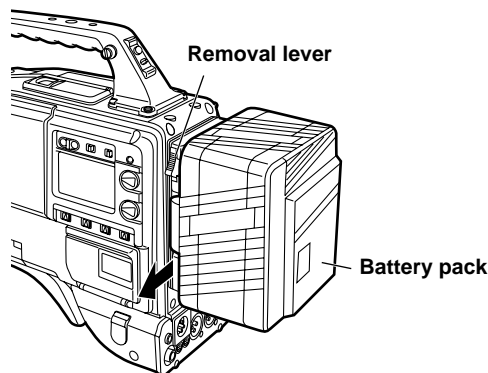
Before using the battery pack, recharge the battery using the battery charger.
(For details on the recharging method, refer to the operating instructions of the battery concerned.)

Using the Anton/Bauer battery pack

- 1** Attach the battery pack.
Insert the pack in the direction shown by the arrows, and then slide it into position.



- 2** To detach the battery, pull the battery mount removal lever all the way down, and slide the battery pack in the direction shown by the arrow.



<Note>

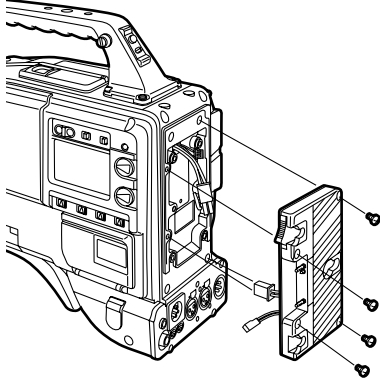
An intelligent battery system and ultra light system are supported.

The remaining battery charge displayed inside the viewfinder is usually shown as a percentage of the full charge, but when the battery charge is nearly completely dissipated, the percentage display is replaced with a voltage display.

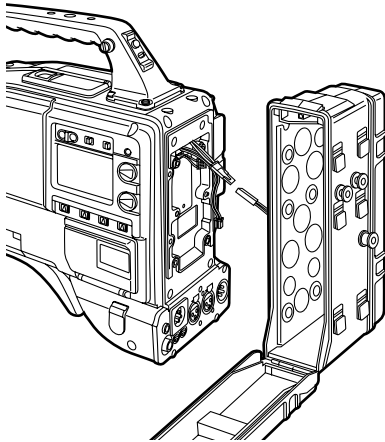
Power supply

Using the Panasonic AU-BP402 battery pack

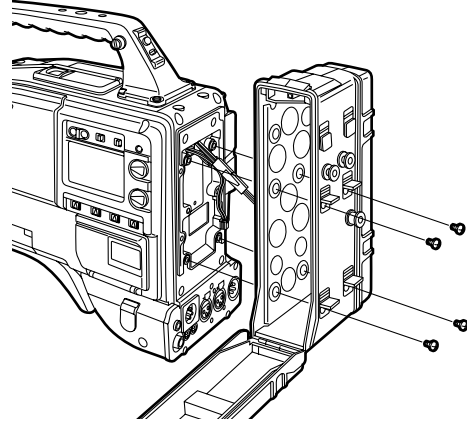
1 Detach the battery mount.



2 Connect the AU-M402H battery case connector with the connector on the unit.



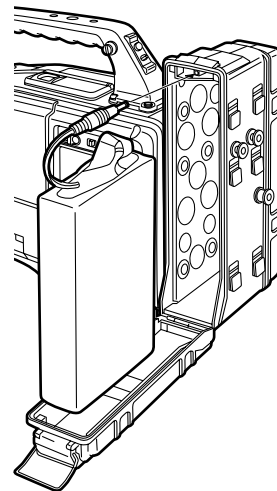
3 Attach the AU-M402H battery case.
Open the battery case cover, and raise it above the rubber cap: screw holes will now be visible. Tighten the screws using a screwdriver, then attach the case to the unit and tighten the screws fully.



<Notes>

- Do not pull the rubber cap forcefully.
- When mounting the battery case, take care not to pinch the connecting cord.

4 Connect the plug on the battery pack to the connector inside the case, and insert the battery pack.



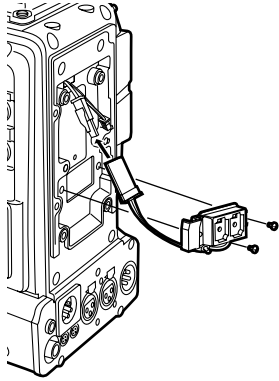
<Note>

Before connecting or disconnecting the plug, be absolutely sure to turn off the unit's power.

Power supply

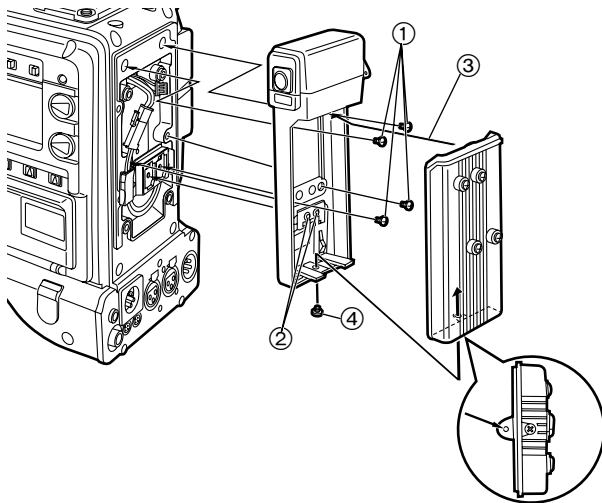
Using the Sony NP-1 battery pack

- 1 Detach the battery mount.
See page 22.
- 2 Attach the accessory battery mounting connector.



- 3 Attach the Sony battery holder. As shown in the figure, attach the battery case with the cover detached and then the detached cover.

- ① Tighten the mounting screws.
- ② Tighten the power contact screws.
- ③ Insert the top of the detached cover in the direction shown by the arrows.
- ④ Align the holes in the bottom of the cover (metal part) with the holes at the bottom of the case, and use the battery holder screws to attach the case to the battery mounting connector.



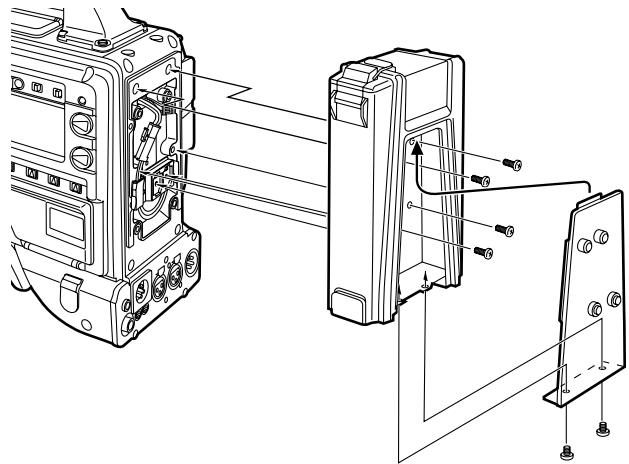
<Note>

When mounting the battery holder, take care not to pinch the connecting cord.

Using the Sony BP-90 battery pack

- 1 Attach the accessory battery mounting connector.
- 2 Attach the battery case for the BP-90.

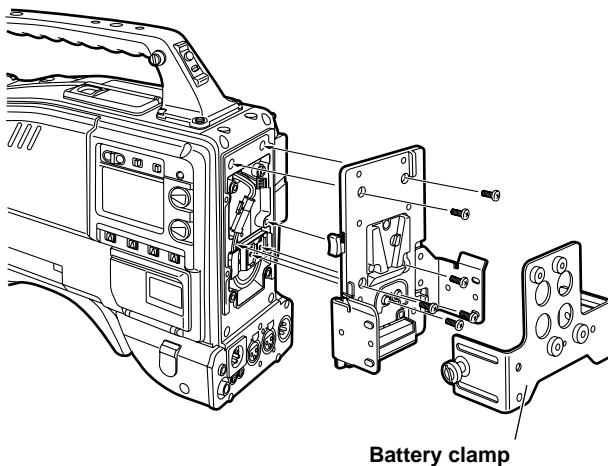
1. Tighten the mounting screws.
2. Tighten the power contact screws.
3. Insert the top of the detached cover in the direction shown by the arrows.
4. Align the holes in the bottom of the cover (metal part) with the holes at the bottom of the case, and use the screws to attach the case.



Power supply

Using the Sony BP-L60/L90 lithium-ion battery

- 1 Attach the accessory battery mounting connector.
(Refer to the previous page.)
- 2 Attach the battery holder for the lithium-ion battery.
 1. As shown in the figure, detach the battery clamp, and attach the holder using the mounting screws.
 2. Tighten the power contact screws.
 3. Attach the battery clamp.

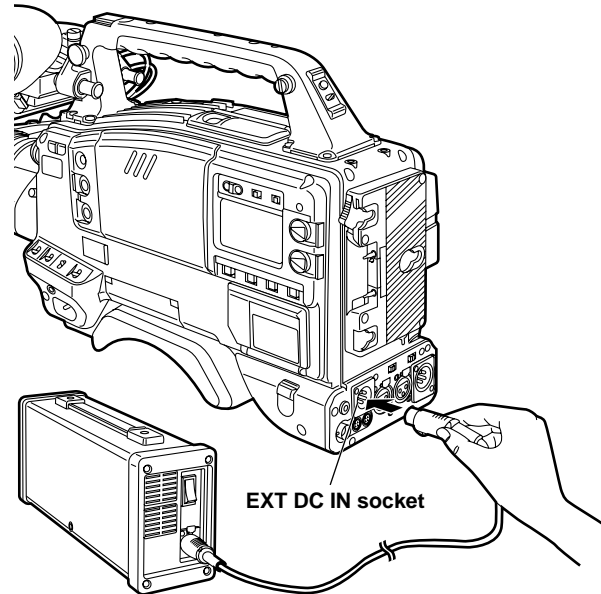


<Notes>

- Before connecting or disconnecting the plug, be absolutely sure to turn off the unit's power.
- When attaching the battery case or holder, take care not to pinch the connecting cord.

Using an AC power supply When the AJ-B75 AC adapter is used

- 1 Connect the DC OUT connector on the AJ-B75 AC adapter to the EXT DC IN socket on the unit.

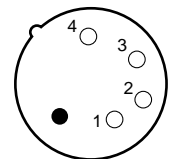


- 2 Set the power of the AC adapter to ON.
- 3 Set the unit's power switch to ON.

<Notes>

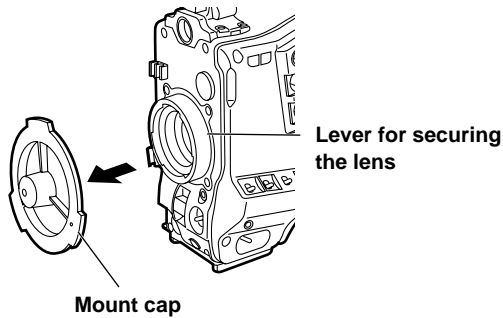
- Check the pin signals of the EXT DC IN socket when using an external power supply other than the AJ-B75 AC adapter. (DC 12 V, 8.5 A)
- Power from the AC adapter takes precedence when both a battery pack and AC adapter have been connected.
- When using the AC adapter, be absolutely sure to first set the power of the AC adapter to ON and then set the unit's power switch to ON. If the power is turned on in the reverse sequence, the output voltage of the AC adapter will rise gradually, and the unit may malfunction as a result.

Pin no.	Signal
1	GND
2, 3	—
4	+12 V

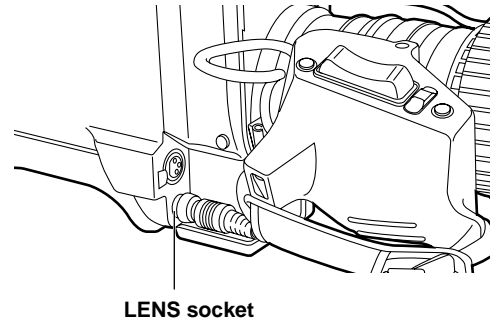


Attaching the lens

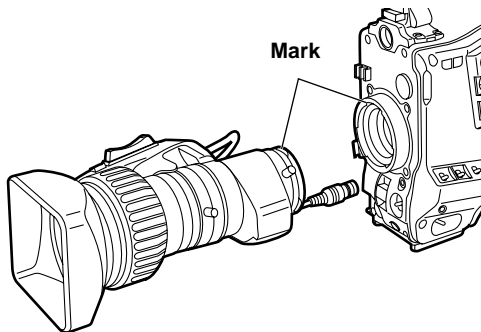
- 1** Raise the lever for securing the lens, and detach the mount cap.



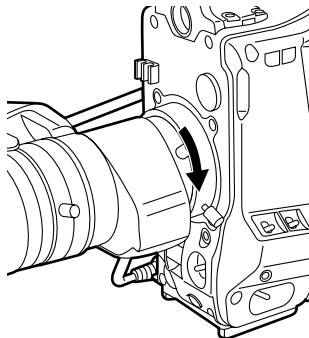
- 4** Push the cable into the cable clamp, and connect it to the LENS socket.



- 2** Align the center mark of the lens with the groove in the top center of the lens mount, and attach the lens.



- 3** Push down the lever for securing the lens to secure the lens.



<Notes>

- For details on handling the lens, refer to the operating instructions which accompany the lens.
- The following lens adjustments and camera adjustments may be necessary depending on the lens mounted.
 1. Lens flange back adjustment
 2. Lens auto iris operating speed adjustment
 3. Lens white shading adjustment (performed on the unit)

Adjusting the lens flange

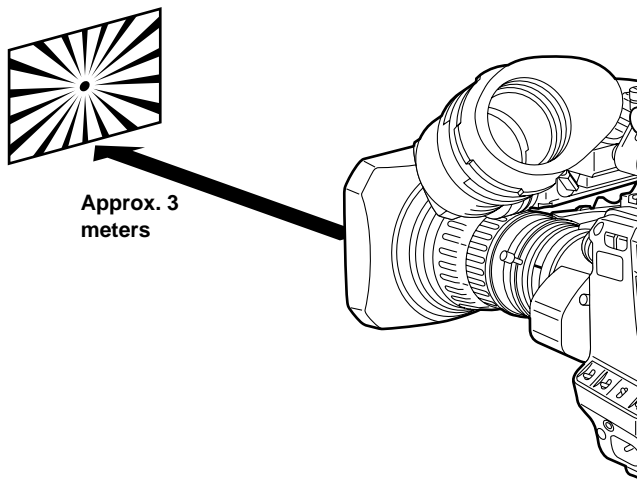
If the subject is not focused properly in the telephoto and wide-angle modes during zoom operations, adjust the flange back (distance from the lens mounting surface to the image-forming surface).

Once this adjustment is done, it need not be redone unless the lens is replaced.

Adjustment method

<Note>

For details on the adjustment method and lens positions, refer also to the operating instructions that accompany the lens.



- 1** Attach the lens to the camera.
At this stage, do not forget to connect the lens cable.
- 2** Set the lens aperture to manual and open the aperture.
- 3** Set the lighting in such a way that the appropriate video output level is achieved at a distance of about 3 meters away from the chart used for the flange back adjustment.
If the video level is too high, use the filters and shutter.
- 4** Loosen the screw securing the F.f (flange focus) ring.
<Note>
On some lenses, this may be marked as F.b (flange back) ring.
- 5** Set the zoom ring to the telephoto position either manually or electrically.
- 6** Shoot the chart used for the flange back adjustment, and turn the distance ring to adjust the focus.
- 7** Set the zoom ring to the wide-angle position, and turn the F.f ring to adjust the focus.
Take care not to move the distance ring during this process.
- 8** Repeat steps 5 to 7 until the focus is adjusted at both the telephoto and wide-angle positions.
- 9** Tighten the screw securing the F.f ring.

Adjusting the white shading

Follow the procedure outlined below when the white shading needs to be re-adjusted.

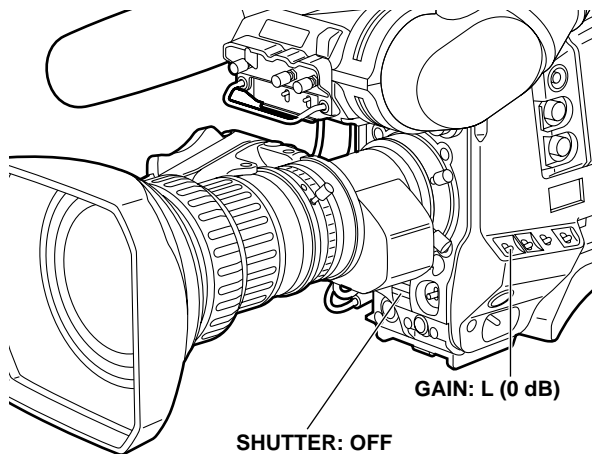
Adjustment method

<Notes>

- The method below can be used for the white shading adjustments with most lenses. However, with some very special lenses, a different adjustment method may be necessary.
- Even when the white shading has been adjusted, tinting may occur in the vertical direction near the lens aperture open position. This is a phenomenon which is inherent to lenses and optical systems and is not indicative of malfunctioning.

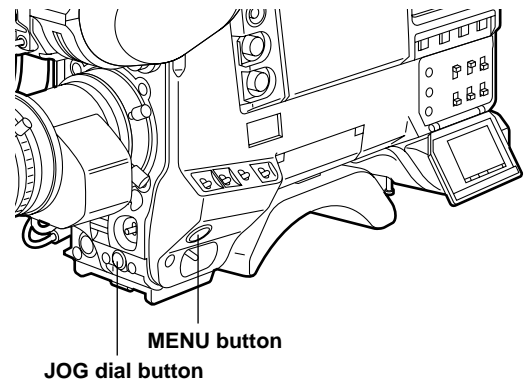
1 Attach the lens to the camera.
At this stage, do not forget to connect the lens cable.

2 Set the electronic shutter to OFF, and set the gain to "L (0 dB)."



3 If the lens is provided with an extender, disengage the extender function.
Similarly, if the lens is provided with a ratio converter, disengage the ratio converter function.

- 4**
- ① Perform the menu operations (pages 72 to 74), and display the "VF DISPLAY" screen of CAM MAIN MENU 2.
 - ② Set ZEBRA1 DETECT to 70%, ZEBRA2 DETECT to 85% and ZEBRA2 to STOP. (Default setting mode)
 - ③ Press the MENU button and close the menu screen.
 - ④ Set the ZEBRA switch on the viewfinder to ON.



5 Shoot a sheet of white paper devoid of color irregularities.

<Note>

Since flicker tends to occur under fluorescent lights, mercury lamps and other such lights, use a source of light such as sunlight or a halogen lamp which does not tend to produce flicker.

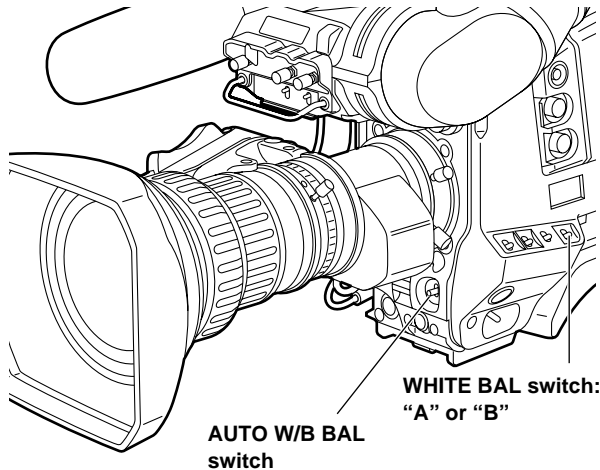
6 Set the lens aperture to manual, and adjust the lens aperture in such a way that ZEBRA fills the whole screen.
Check that the lens aperture is between F/4 and F/11.

<Notes>

- Since unevenness in the lighting will make it impossible for ZEBRA to fill part of the screen, try adjusting the lighting position, etc.
- Try adjusting the lighting position, etc. also when the lens aperture is not between F/4 and F/11.
- Always be sure to leave the electronic shutter at OFF.

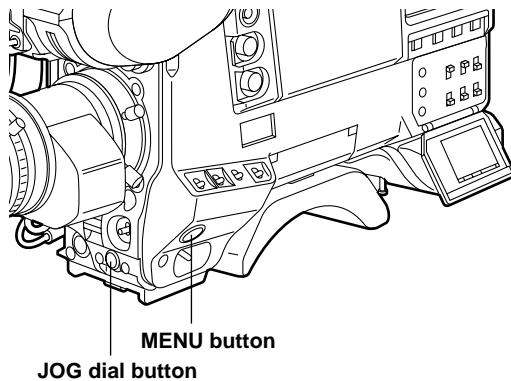
Adjusting the white shading

- 7** ① Set the WHITE BAL selector switch to “A” or “B,” and initiate the automatic white balance (AWB) adjustment using the AUTO W/B BAL switch.
- ② Initiate the automatic black balance (ABB) adjustment using the AUTO W/B BAL switch.
- ③ Initiate the automatic white balance (AWB) adjustment again using the AUTO W/B BAL switch.



8 Repeat step 6.

- 9** ① Perform the menu operations (pages 72 to 74), and display the “WHITE SHADING” screen of CAM MAIN MENU 4.
- ② Turn the JOG dial button to move the cursor to the DETECTION, and press the JOG dial button.
- “ACTIVE” now appears on the screen to indicate that the white shading is being automatically adjusted.
- The adjustment is completed when the “ACTIVE” display is cleared.
- ③ Press the MENU button to close the menu screen.



10 If the lens is provided with an extender, engage the extender function, and repeat steps 6 to 9.

The white shading adjustment is now complete. The adjusted values are retained in the non-volatile memory so that there is no need to adjust the white shading again even after the unit’s power is turned off.

Adjusting the viewfinder (The viewfinder is an optional accessory.)

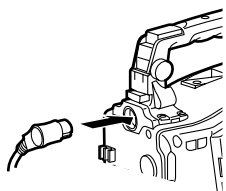
Attaching the viewfinder

1 Check that the camera's POWER switch is at OFF.

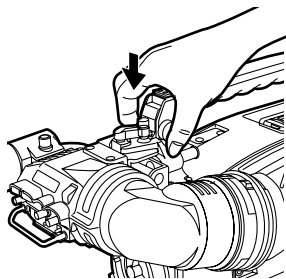
2 Connect the plug to the viewfinder connecting terminal.

<Note>

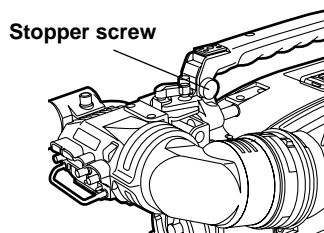
When connecting the plug to the viewfinder connecting terminal, push the plug firmly into place.



3 Push the viewfinder down.



4 Tighten the stopper screw firmly.



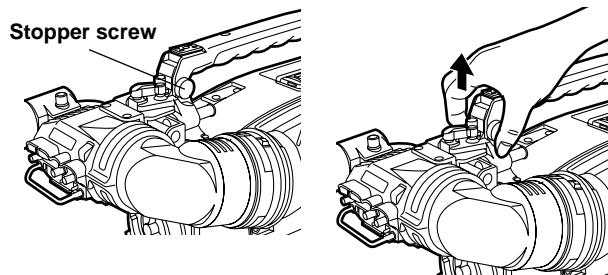
Detaching the viewfinder

1 Check that the camera's POWER switch is at OFF.

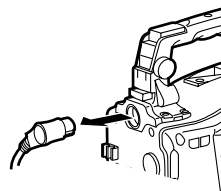
2 Loosen the stopper screw, pull the viewfinder straight up, and draw it out.

<Note>

Use both hands to draw the viewfinder out. It may not be possible to remove the viewfinder smoothly with one hand, which may cause damage to it.



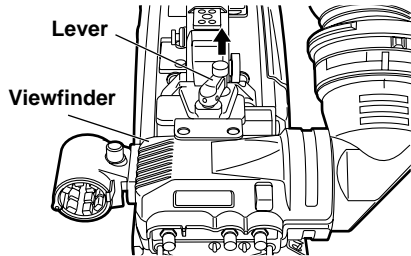
3 Disconnect the plug from the viewfinder connecting terminal.



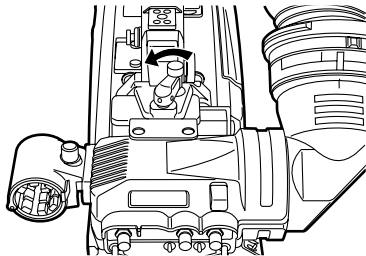
Adjusting the viewfinder (The viewfinder is an optional accessory.)

Adjusting the viewfinder position

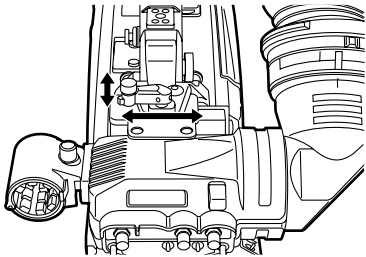
- 1** Pull up the lever for securing the viewfinder in the back/front and sideways directions to disengage the lock.



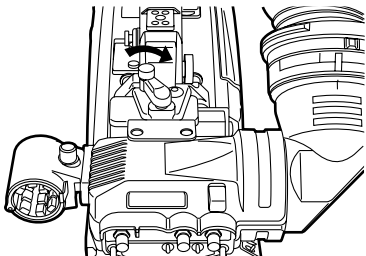
- 2** Loosen the lever for securing the viewfinder in the back/front and sideways directions.



- 3** Move the viewfinder in the back/front and sideways directions, and adjust its position.



- 4** Tighten the lever for securing the viewfinder in the back/front and sideways directions until it locks the viewfinder in place.

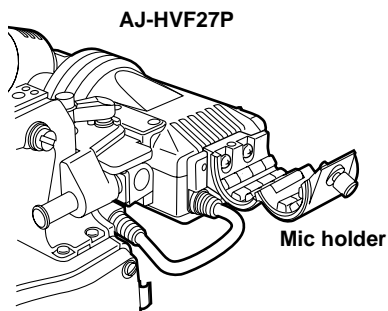


Audio input preparation

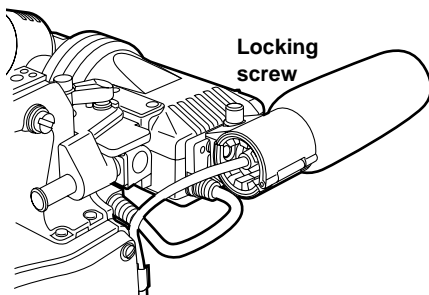
When attaching a microphone to the viewfinder (optional accessory) for use

The microphone of the AJ-MC700P mic kit (optional accessory) can be attached to the viewfinder.

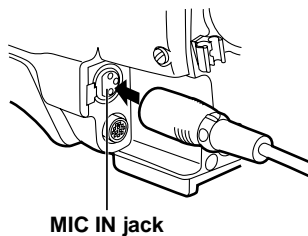
1 Open the mic holder.



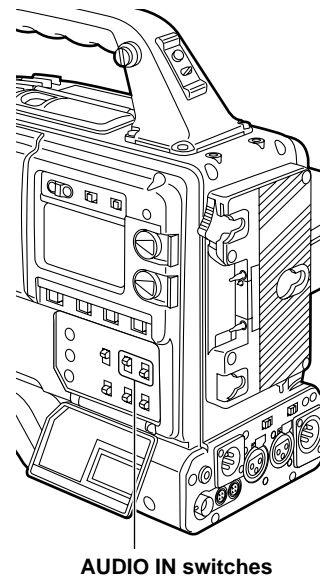
2 Attach the microphone, and tighten the locking screw.



3 Connect the microphone's connecting cable to the MIC IN jack on the camera.



4 Set the AUDIO IN switch or switches to "FRONT" in accordance with the audio channel or channels whose sound is to be recorded.

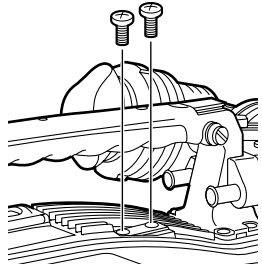


Audio input preparation

When attaching a microphone to the main unit for use

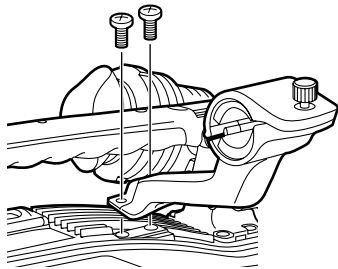
Attaching the AJ-MH700P mic holder (optional accessory)

1 Remove the screws used to attach the mic holder.

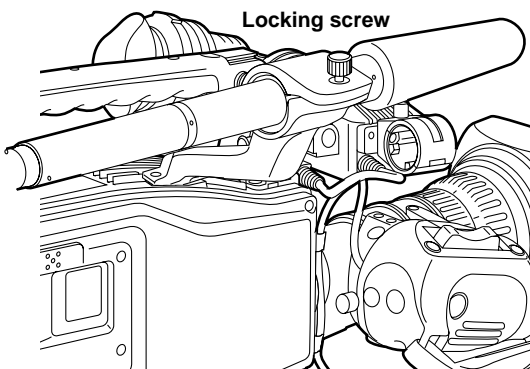


2 Attach the mic holder to the main unit using the screws provided with the AJ-MH700P mic holder.

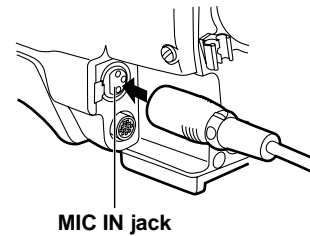
Screws provided with mic holder



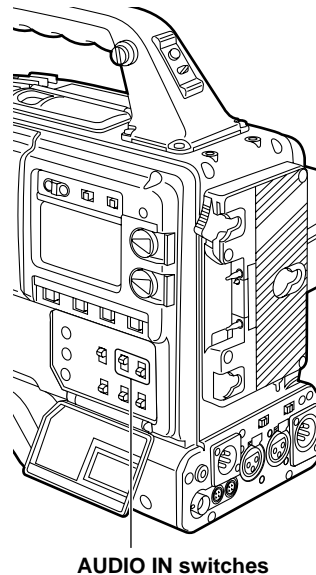
3 Attach the microphone to the mic holder, and tighten the locking screw.



4 Connect the microphone's connecting cable to the MIC IN jack on the camera.



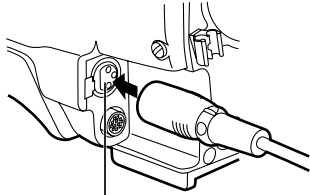
5 Set the AUDIO IN switch or switches to "FRONT" in accordance with the audio channel or channels whose sound is to be recorded.



Audio input preparation

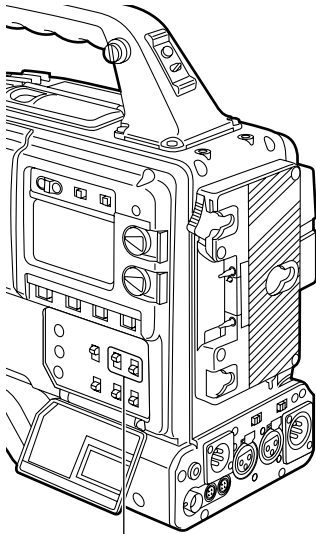
When connecting a microphone to the MIC IN jack

- 1 Connect the microphone's connecting cable to the MIC IN jack on the camera.



MIC IN jack

- 2 Set the AUDIO IN switch or switches to "FRONT" in accordance with the audio channel or channels whose sound is to be recorded.



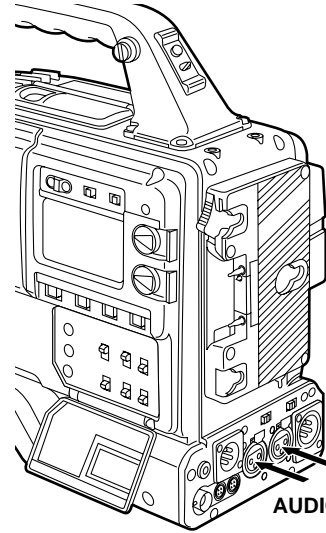
AUDIO IN switches

<Note>

When extending the microphone's connecting cable, use a cable which supports the phantom power supply system.

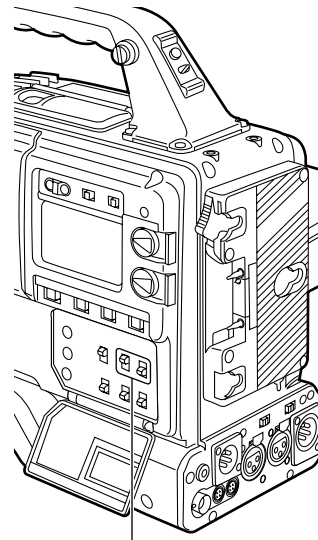
When connecting a microphone to the AUDIO IN connector

- 1 Connect the microphone's connecting cable to the AUDIO IN connector on the camera. Two microphones can be connected to the CH1 and CH2 connectors.



AUDIO IN connectors

- 2 Set the AUDIO IN switch or switches for the channel or channels to which the microphone or microphones have been connected to "REAR."



AUDIO IN switches

<Note>

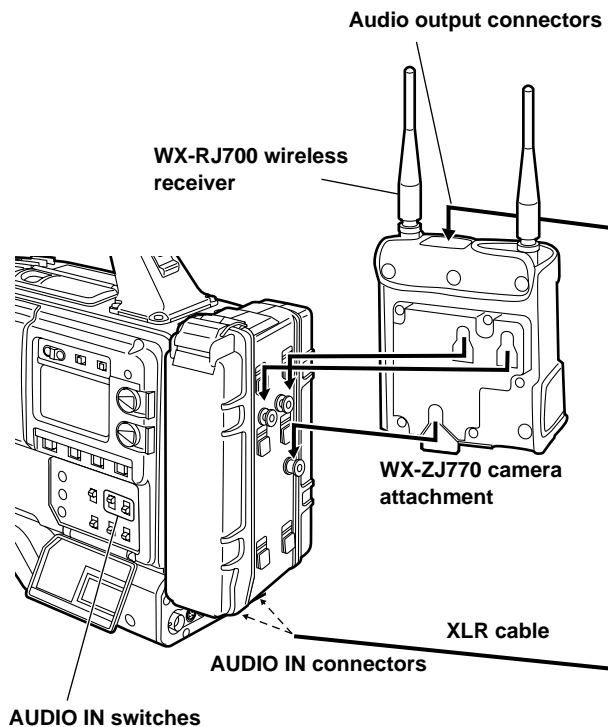
When the LINE/MIC/+48V selector switch is set to "+48V," the phantom power supply system is supported.

Audio input preparation

When using a wireless microphone

Attach the WX-RJ700 wireless receiver when Panasonic's wireless system is to be used.

- 1 Attach the WX-RJ700 wireless receiver to the WX-ZJ770 camera attachment.
- 2 Align the grooves in the camera attachment with the pins on the battery case, etc. to attach the wireless receiver.



- 3 Connect the AUDIO IN connectors on the camera with the wireless receiver using the XLR cable.
- 4 Set the AUDIO IN switch or switches for the channel or channels to which the XLR cable has been connected to "REAR."
- 5 Set the LINE/MIC/+48V selector switch on the rear panel to "MIC."

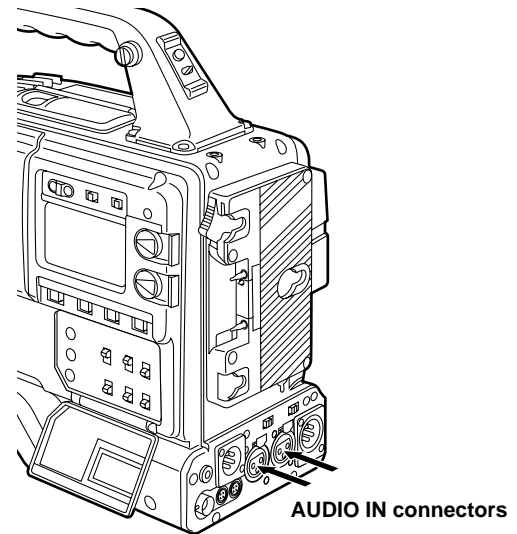
When detaching the wireless receiver, push up the lever on the bottom panel of the camera attachment to disengage it.

<Note>

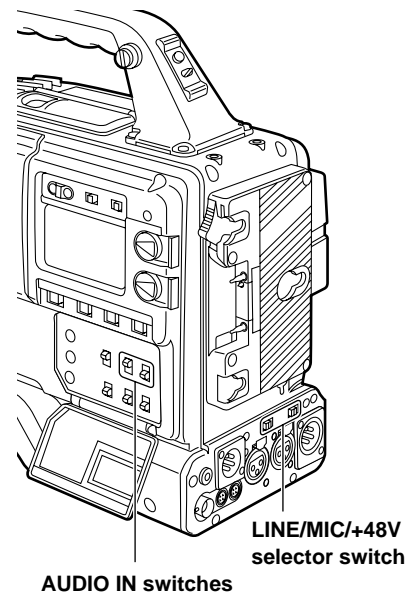
For details on the operations and other aspects of the WX-RJ700 wireless receiver, refer to the operating instructions which accompany the receiver.

When connecting audio components

- 1 Connect the AUDIO IN connectors on the camera with the audio component using the XLR cable.



- 2 Set the AUDIO IN switch or switches for the channel or channels to which the microphone or microphones have been connected to "REAR."
- 3 Set the LINE/MIC/+48V selector switch on the rear panel to "LINE."



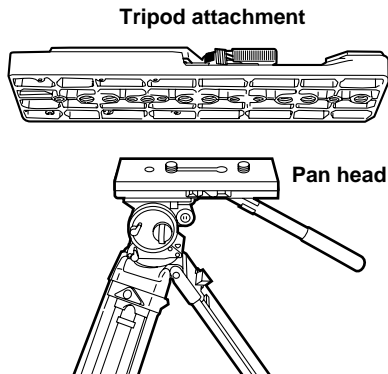
Mounting the unit on a tripod

Use the tripod attachment available as an optional accessory for mounting the unit onto a tripod.

1 Attach the tripod attachment to the tripod.

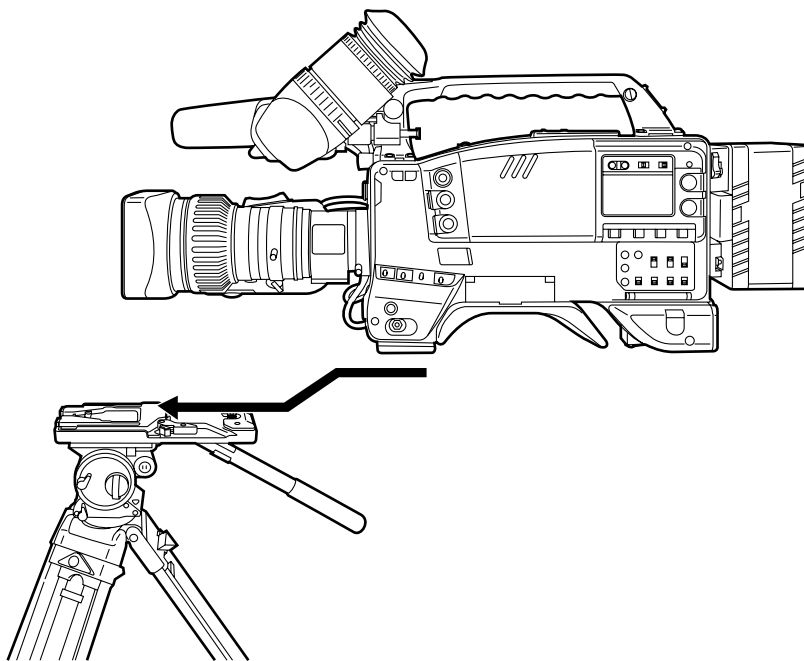
<Note>

Select the attachment holes that best support the center of gravity of the unit and tripod attachment. Check that the diameters of the selected holes match the diameters of the pan head.



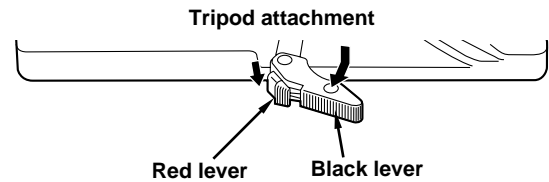
2 Attach the camera to the tripod attachment.

Slide the camera toward the front along the grooves until it clicks into place.



Detaching the unit from the tripod attachment

While pressing the red lever, move the black lever in the direction of the arrow, slide the unit toward the rear, and detach it.



<Note>

If the pins in the tripod attachment fail to return to their original positions after the camera has been detached, press the red lever again and at the same time move the black lever in the direction of the arrow: this will return the pins to their original positions.

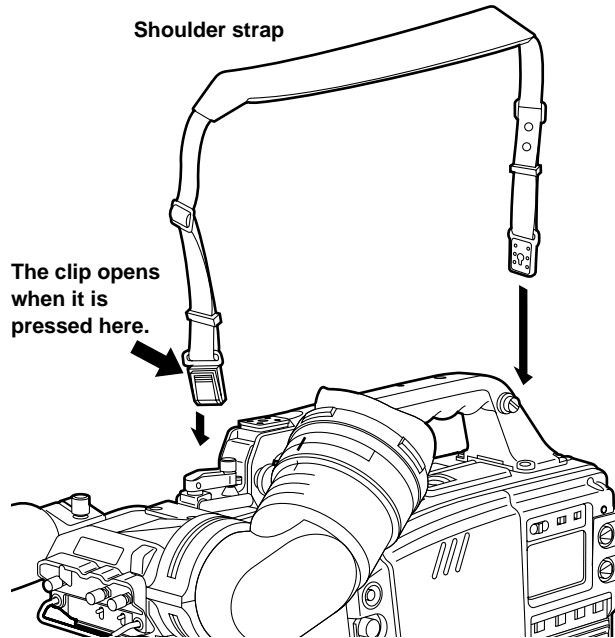
Bear in mind that the camera cannot be attached while the pins are left in the center.

Attaching the shoulder strap

1 Attach the shoulder strap to the shoulder strap mounting hooks, and adjust the length of the strap.

<Note>

Check that the shoulder strap is securely fastened.



To detach the shoulder strap, open the clips on the mounting parts and detach.

The clip opens when it is pressed here.

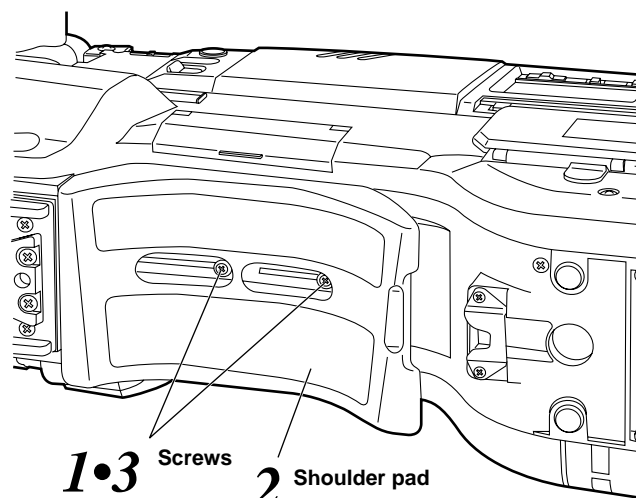


Adjusting the shoulder pad position

The shoulder pad can be slid up to 15 mm either backward or forward from the center position (factory setting).

Adjust the pad's position to operate the unit with the optimum ease.

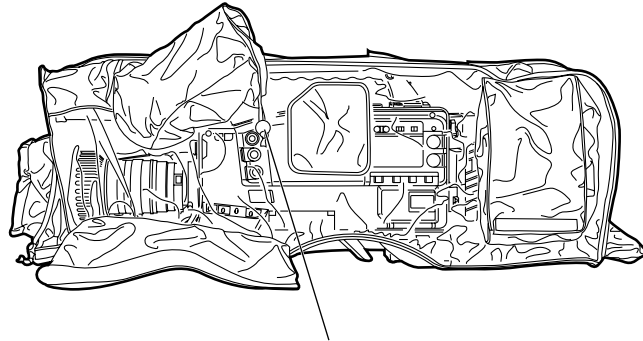
- 1** Loosen the two screws.
- 2** Slide the shoulder pad either backward or forward, and find the optimum position.
- 3** Tighten the screws to secure the shoulder pad.



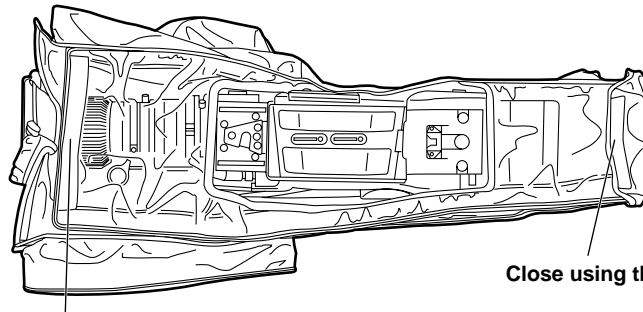
Bottom section

Attaching the rain cover

Example showing use of the SHAN-RC700 rain cover



Tighten the cord.



Close using the fastener.

Close using the fastener.

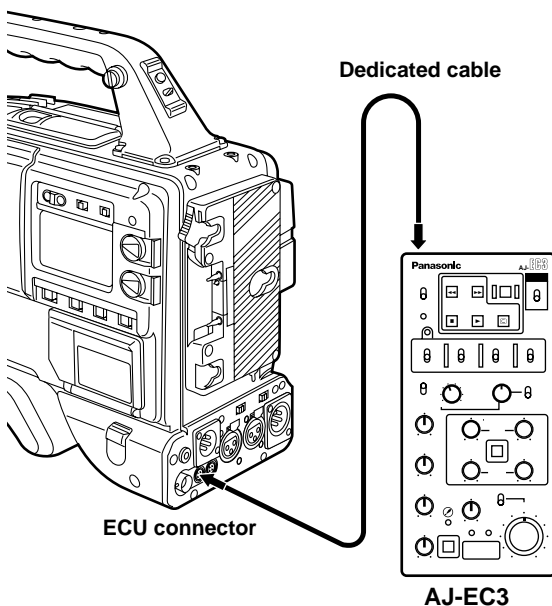
Connecting the extension control unit

By connecting the AJ-EC3 extension control unit (optional accessory), some of the functions can be operated by remote control.

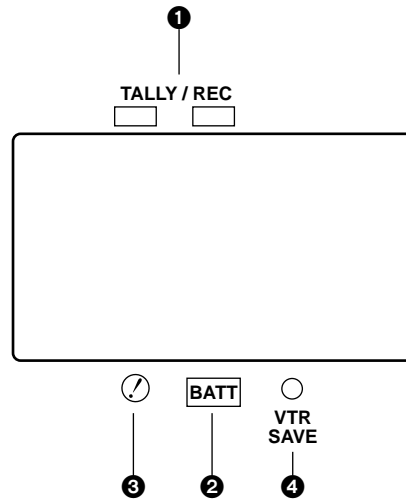
When the AJ-EC3 is connected and the POWER switches on the unit and AJ-EC3 are set to ON, the unit is automatically set to the remote control mode.

<Notes>

- Before connecting or disconnecting the dedicated cable, be absolutely sure to set the POWER switches on the unit and AJ-EC3 to OFF.
- When "OFF" has been selected as the ECU DATA SAVE setting on the CAMERA SW MODE screen of CAM MENU, all the adjustments and settings made using the AJ-EC3 will be cleared when the unit's power switch is set to OFF. Neither is it possible to save these adjustments and settings on a setup card. However, the menu item settings can be saved on a setup card. When the AJ-EC3 is connected again, its settings will be restored.
- When "ON" has been selected as the ECU DATA SAVE setting on the CAMERA SW MODE screen of CAM MENU, all the adjustments and settings made using the AJ-EC3 will not be cleared even when the unit's power switch is set to OFF.



Viewfinder lamp displays



Viewfinder pictured here is the AJ-HVF27P
(For details concerning the viewfinder, refer to
the operating instructions of the viewfinder.)

① TALLY/REC (recording) lamp

This lights up (red) during recording. It flashes when a problem has occurred.

For details, refer to the section on the “Warning system” (pages 107, 108).

② BATT (battery) lamp

This starts flashing when the battery voltage has dropped to the level where the battery will no longer be usable in several minutes’ time, and it lights when the battery is no longer usable. To prevent operation from being interrupted, replace the battery before the battery has discharged completely.

For details, refer to the section on the “Warning system” (pages 107, 108).

③ ⚠ (abnormal operating status warning) lamp

This lights when the unit is set to an abnormal operating status for any of the items set to “ON” on the “!LED” screen of the setting menu.

For details on selecting the items targeted for the ⚠ lamp display, refer to the section on “Setting the ⚠ lamp displays” (next page).

④ VTR SAVE (VTR power-saving) lamp

This lights when the VTR SAVE/STBY switch is set to SAVE. It goes off during recording.

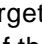
<Note>

In the rec pause mode, the SAVE mode is established automatically, and the lamp lights after the time set for the pause timer (temporary stop time) has elapsed.

After two minutes in the play pause mode, the SAVE mode is established automatically, and the lamp lights.

Viewfinder lamp displays

Setting the lamp displays

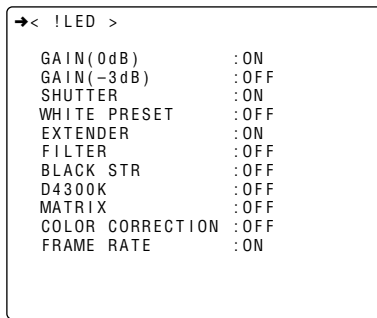
Select the items targeted for the  lamp display on the “!LED” screen of the CAM MAIN MENU 2 screen. (Under the factory settings, the “!LED” screen is not displayed.)

To perform operations on the “!LED” screen, either switch the unit to the engineer mode menu or select the “!LED” screen on the CAM USER MENU SELECT 2 screen under the CAM MAIN MENU 4 screen.

<Note>

For details on selecting the engineer mode menu and display screens, refer to “Menu operations” (pages 72 to 74).

1 Perform the menu operations (pages 72 to 74) to open the “!LED” screen.



2 Turn the JOG dial button to move the arrow (cursor) to the desired item.

3 For the selected item, press the JOG dial button, and set whether or not the item is to be displayed on the viewfinder screen.

Turn the JOG dial button, select display (ON) or no display (OFF) and press the JOG dial button to enter the selection.

4 Repeat steps 2 and 3 to set ON or OFF for the other items.

5 Press the MENU button to exit the menu operations.

The setting menu is cleared, and the display showing the unit’s current statuses appears at the top and bottom of the viewfinder screen.

Setting item	Description of setting
GAIN (0 dB)	Lamp display appears when the gain is set to a value other than “0 dB.”
GAIN (-3 dB)	Lamp display appears when the gain is set to a value other than “-3 dB.”
SHUTTER	Lamp display appears when the SHUTTER switch is at ON.
WHITE PRESET	Lamp display appears when “PRST” applies to the channel in the white balance memory.
EXTENDER	Lamp display appears when the lens extender is used.
FILTER	Lamp display appears when the filter is set to a value other than “3200 K.”
BLACK STR	Lamp display appears when the black stretch is at ON.
D4300 K	Lamp display appears when the white balance presetting is 4300 K.
MATRIX	Lamp display appears when the matrix is at ON.
COLOR CORRECTION	Lamp display appears when the color correction is at ON.
FRAME RATE	Lamp display appears when the frame rate has been set to 11 frames/sec. (10.99 Hz) or below.

Viewfinder screen status displays

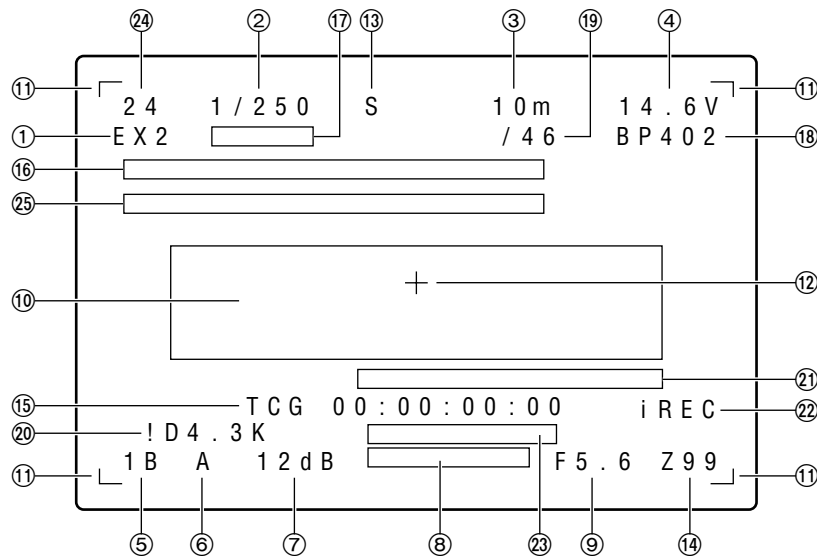
In addition to the pictures shot, the unit's settings and messages indicating its operating statuses are displayed on the viewfinder screen. The center marker and safety zone markers also appear.

The items which have been set to ON by the switches relating to the viewfinder displays or the VF DISPLAY screen of the setting menu are displayed at the top and bottom of the screen.

When settings have been changed or adjustments have been made, messages advising the user of what has been set, what progress has been made in the adjustments and what the adjustment results are can be displayed for about 3 seconds.

■ Display items and where they are displayed

- ① Extender display
- ② Shutter speed/mode display
- ③ Remaining tape display
- ④ Battery voltage display
- ⑤ Filter display
- ⑥ White balance memory display
- ⑦ Gain display
- ⑧ Audio level display
- ⑨ Aperture display
- ⑩ Camera warning/information display
- ⑪ Safety zone markers
- ⑫ Center marker
- ⑬ Super iris ON display
- ⑭ Zoom position display
- ⑮ TCG display
- ⑯ Master gain setting display
- ⑰ Color temperature display PRE/A/B
- ⑱ Battery type
- ⑲ Total tape length
- ⑳ Preset color temperature display
- ㉑ VTR warning/information display
- ㉒ Interval recording mode display (flashing)
- ㉓ AUDIO CH1/CH2 input display
- ㉔ Frame rate information display
- ㉕ ⌚ lamp information display



Viewfinder screen status displays

① Extender display

This appears when the lens extender is being used.

② Shutter speed/mode display

This indicates the shutter speed or shutter mode setting.

● OFF (no display):

The shutter is not used.

● 1/100, 1/120, 1/250 1/500, 1/1000, 1/2000:

Shutter speeds (sec.) in the standard mode

● 20.0% to 99.5% (SYNCHRO SCAN):

Selection of synchro scan mode

③ Remaining tape display

During recording, this shows the remaining tape (in minutes) in the VTR. When less than two minutes of tape remain, the figure starts flashing.

④ Battery voltage display

This indicates the battery voltage (V) during operation. The voltage is displayed as a percentage when a digital battery is used.

⑤ Filter display

This indicates the type of filter selected.

⑥ White balance memory display

This indicates the automatic adjustment memory selected for the white balance.

A: The WHITE BAL switch has been set to "A."

B: The WHITE BAL switch has been set to "B."

P: The WHITE BAL switch has been set to "PRST."

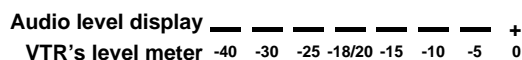
⑦ Gain display

This indicates the gain (dB) of the video amplifier which was set using the GAIN switch.

⑧ Audio level display

This indicates the audio level (which can be displayed separately for audio CH1 and CH2).

During sine wave input, it roughly corresponds with the VTR's level meter as shown below.

Audio level display  +
VTR's level meter -40 -30 -25 -18/20 -15 -10 -5 0

⑨ Aperture display

This indicates the approximate aperture setting (F number).

<Note>

This appears when a lens with an aperture display function is being used.

⑩ Camera warning/information display

The black balance, white balance, auto knee function, super iris, super gain and other alarm displays and warnings appear here.

⑪ Safety zone markers

These indicate the 80% or 90% (factory setting) range of the surface area of the viewfinder screen.

The display range proportion is set on the VF DISPLAY screen of the setting menu.

For details, refer to "Setting the marker displays" (page 44).

⑫ Center marker

This indicates the center of the viewfinder screen.

The display is set ON or OFF on the VF DISPLAY screen of the setting menu.

⑬ Super iris ON display

"S" appears when the super iris is ON.

⑭ Zoom position display

The distance from the WIDE end to TEL end of the zoom lens is indicated here as a number from 0 to 99.

⑮ TCG display

This indicates the time code generator value.

⑯ Master gain setting display

The GAIN L/M/H values currently set appear here when the MODE CHECK button is pressed.

⑰ Color temperature display PRE/A/B

This indicates the color temperature when AWB is executed using white balance memory A or B.

⑱ Battery type

This indicates the type of battery selected.

⑲ Total tape length

This indicates the total length of the cassette tape.

⑳ Preset color temperature display

This indicates the preset white balance value.

㉑ VTR warning/information display

Alarm displays such as SLACK, REC WARNING, HUMID, SERVO and RF as well as other warnings are indicated here.

㉒ Interval recording mode display (flashing)

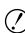
㉓ AUDIO CH1/CH2 input display

The input signals to be recorded in audio channels 1 and 2 are indicated here.

㉔ Frame rate information display

This indicates the frame rate which has been set.

㉕ lamp information display

This indicates the information when the  lamp has lighted.

Viewfinder screen status displays

Selecting the display items

The items to be displayed on the viewfinder screen can each be set to ON or OFF on the “VF INDICATOR” screen of the CAM MENU or on the “VTR VF INDICATOR” screen of the VTR MENU.

Selectable items

On the “VF INDICATOR” screen of CAM MENU

- Extender display (EXTENDER)
- Shutter speed/mode display (SHUTTER)
- Filter display (FILTER)
- White balance memory display (WHITE)
- Gain display (GAIN)
- Aperture value and super iris ON display (IRIS)
- Camera ID display (CAMERA ID)
- Zoom position display (ZOOM LVL)
- Color temperature display (COLOR TEMP)
- Frame rate display (FRAME RATE)

<Note>

The camera ID appears when color bar signals are to be recorded in accordance with the OUTPUT/AUTO KNEE switch setting.

For details, refer to “Setting the camera ID” (page 44).

```
→< VF INDICATOR >
EXTENDER      :ON
SHUTTER       :ON
FILTER        :ON
WHITE         :ON
GAIN          :ON
IRIS          :S+IRIS
CAMERA ID     :ON
ZOOM LVL     :ON
COLOR TEMP    :ON
FRAME RATE    :ON
```

On the “VTR VF INDICATOR” screen of VTR MENU

- Remaining tape display (TAPE)
- Remaining battery charge display (BATTERY)
- Level meter display (LEVEL METER)
- Time code display (TC)
- VTR warning display (VTR WARNING)
- SAVE lamp display (SAVE LED)

```
→< VTR VF INDICATOR >
TAPE(IND)      :ON
BATTERY(IND)   :ON
LEVEL METER(IND) :CH1
TC(IND)        :OFF
VTR WARNING(IND) :NORMAL
SAVE LED(IND)  :SAVE&TAPE
```

Selecting the display items

- 1 Perform the menu operations (pages 72 to 74) to open the “VF INDICATOR” screen.

```
→< VF INDICATOR >
EXTENDER      :ON
SHUTTER       :ON
FILTER        :ON
WHITE         :ON
GAIN          :ON
IRIS          :S+IRIS
CAMERA ID     :ON
ZOOM LVL     :ON
COLOR TEMP    :ON
FRAME RATE    :ON
```

```
→< VTR VF INDICATOR >
TAPE(IND)      :ON
BATTERY(IND)   :ON
LEVEL METER(IND) :CH1
TC(IND)        :OFF
VTR WARNING(IND) :NORMAL
SAVE LED(IND)  :SAVE&TAPE
```

- 2 Turn the JOG dial button to move the arrow (cursor) to the desired item.
- 3 For the selected item, press the JOG dial button, and set whether or not the item is to be displayed on the viewfinder screen. Turn the JOG dial button to select display (ON) or no display (OFF), and press the JOG dial button to enter the selection.
- 4 Repeat steps 2 and 3 to set ON or OFF for other items.
- 5 Press the MENU button to exit the menu operations. The setting menu is cleared, and the display showing the unit’s current statuses appears at the top and bottom of the viewfinder screen.

Viewfinder screen status displays

Display modes and setting change messages

The display of messages advising the user of what changes have been made to the settings and what the adjustment results are can be turned off for some or all of the items displayed.

Setting change/adjustment result messages and display modes

Situation in which message is displayed	Message	Display mode setting		
		1	2	3
When the filter selection has been changed	Filter: n (n=1, 2, 3, 4), m (m=A, B, C, D)	×	×	○
When the gain setting has been changed	GAIN: n dB (n= -6, -3, 0, 3, 6, 9, 12, 18, 24, 30)	×	×	○
When the WHITE BAL switch setting has been changed	WHITE: n (n=ACH, BCH, PRESET)	×	×	○
When the OUTPUT/AUTO KNEE switch has been set to AUTO KNEE or OFF <Note> This display is shown for about 3 seconds immediately after the unit's power has been switched on.	AUTO KNEE: ON (or OFF)	×	○	○
When the shutter speed/mode setting has been changed	SS: 1/100 (or 1/120, 1/250, 1/500, 1/1000, 1/2000, S.SCAN)	×	○	○
When the white balance (AWB) has been adjusted	Example) AWB: OK For details, refer to "Adjusting the white balance" (pages 47 to 50).	×	○	○
When the black balance (ABB) has been adjusted	Example) ABB: OK For details, refer to "Adjusting the black balance" (page 51).	×	○	○

<Note>

The message displays also depend on the status of other menu settings. For instance, even when "1 (no display)" is set as the filter selection, the filter selection will be displayed when FILTER is set to "ON" on the VF INDICATOR screen.

○ : Message is to be displayed.

×

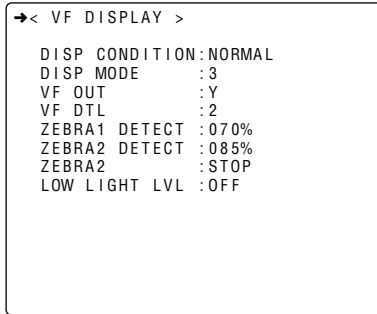
Message is not to be displayed.

Viewfinder screen status displays

Switching the display mode

The display mode settings are switched on the VF DISPLAY screen.

- 1 Perform the menu operations (pages 72 to 74) to open the "VF DISPLAY" screen.

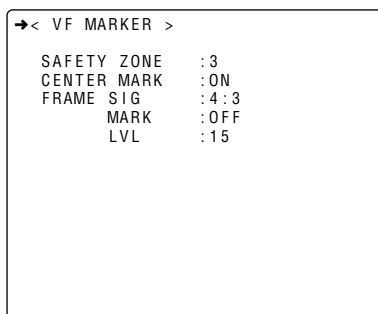


- 2 Turn the JOG dial button to move the arrow (cursor) to the "DISP MODE" item.
- 3 Press the JOG dial button, and set the desired display mode.
Turn the JOG dial button to select the display contents, and press the JOG dial button to enter the selection.
- 4 Press the MENU button to exit the menu operations.
The setting menu is cleared, and the display showing the unit's current statuses appears at the top and bottom of the viewfinder screen.

Setting the marker displays

The center marker and safety zone marker displays are set on the VF MARKER screen.

- 1 Perform the menu operations (pages 72 to 74) to open the "VF MARKER" screen.



- 2 Perform the same operations as for the "VF DISPLAY" screen to set each item.

Setting the camera ID

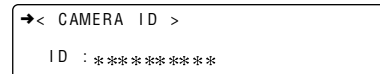
The camera ID is set on the CAMERA ID screen.

Up to ten alphanumeric, symbols and spaces can be used.

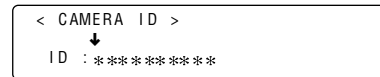
<Note>

The camera ID is not displayed while the setting menu is displayed even if color bar signals are output.

- 1 Perform the menu operations (pages 72 to 74) to open the "CAMERA ID" screen.



- 2 Turn the JOG dial button to move the arrow (cursor) to the ID item.



- 3 When the JOG dial button is pressed, the arrow (cursor) flashes, and the input mode is established.

- 4 Turn the JOG dial button until the character to be set appears. When the button is turned, the character displayed is switched in the following sequence:

Space:
↓
letters: A—Z
↓
numbers: 0—9
↓
symbols: ', >, <, /, -

- 5 Press the JOG dial button to enter the character.

- 6 Turn the JOG dial button to move the arrow (cursor) to the next position (right), and repeat steps 3 to 5 to set the characters.

- 7 Press the MENU button to exit the menu operations.

The setting menu is cleared, and the display showing the unit's current statuses appears at the top and bottom of the viewfinder screen.

<Note>

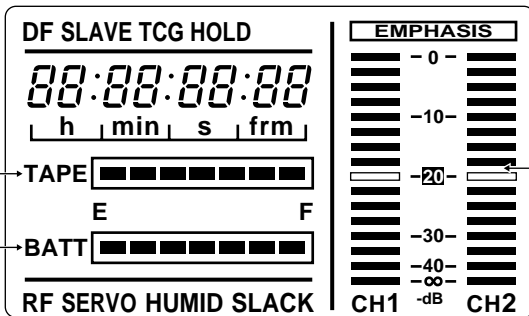
The camera ID is recorded at the same time as the color bar signals if "CAMERA ID" on the VF INDICATOR screen has been set to "ON."

Screen displays

Remaining battery charge and audio channel level and remaining tape displays

Remaining tape display

The remaining tape time is displayed using 7 segments. The remaining tape time indicated by each segment is set to 3 minutes or 5 minutes using TAPE REMAIN/■ on the VTR MENU "BATTERY/TAPE" screen. Each time the number of minutes set for the segments elapses, one segment is cleared. (See page 98)



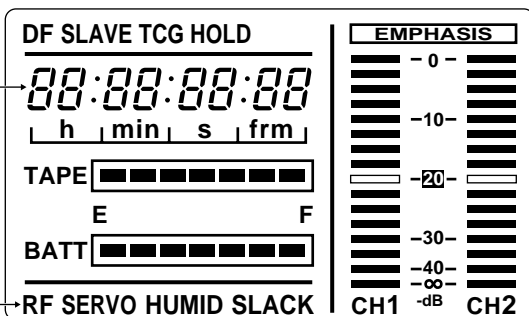
Remaining battery charge display

If a battery with a digital display (% display) is used, all 7 segments up to the "F" position light when the 70% or more of the battery charge remains. When there is less than 70% of the battery charge remaining, the segments go out one by one in sequence every time the remaining charge drops by 10%.

Audio channel level meter

Displays relating to errors and warnings

Error code display



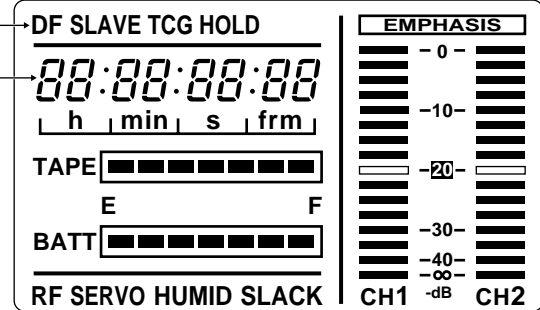
Warning displays

RF : Clogged video head
SERVO: Servo disturbance
HUMID : Formation of condensation on the head drum
SLACK: Problem in tape take-up

Displays relating to time codes

These displays light for the time code, CTL and actual time

DF : Drop frame mode
SLAVE : External locking of the time code
HOLD : Time code generator in the hold mode (when the HOLD button has been pressed)



Time counter display

This displays the time code, CTL, user's bit and actual time. For the correlation between the items displayed and the switches, refer to the next section.

Time code-related switch settings and display items

TCG switch position	DISPLAY switch position	Display item
SET	TC or CTL	Time code
	UB	User's bit
F-RUN or R-RUN	CTL	CTL
	TC	Time code
	UB	User's bit

<Note>

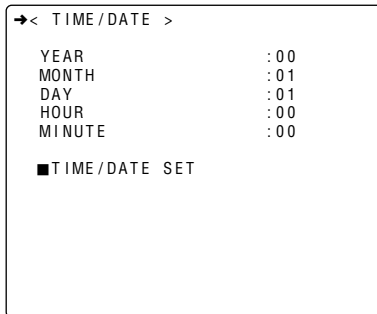
If the HOLD button is pressed while the DISPLAY switch is set to UB, "HOLD" on the counter display will flash for as long as the switch is held down, and the VITC user's bit information recorded in the video AUX area will appear on the counter display.

For details, refer to "Warning system" (pages 107 and 108).

Adjusting the date and time

Adjustments and setup using the setting menus

1 Perform the menu operations (pages 72 to 74), and display the "TIME/DATE" screen.



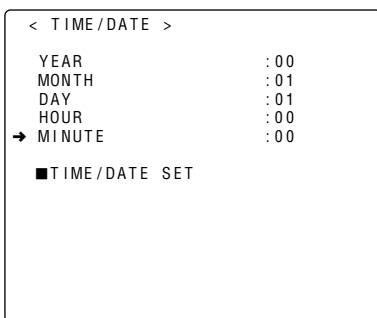
5 Press the MENU button to exit the menu operations.

The setting menu is cleared, and the display showing the unit's current statuses appears at the top and bottom of the viewfinder screen.

<Note>

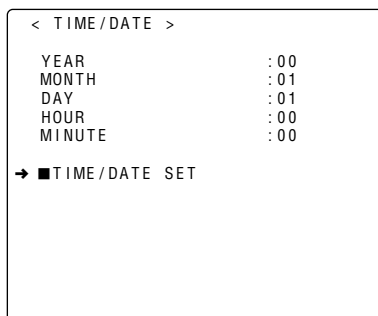
The seconds cannot be set. The time always advances from 0 seconds.

2 Turn the JOG dial button to select the item to be changed, and press the JOG dial button.



3 Turn the JOG dial button to change the setting, and press the JOG dial button to enter the setting.

4 When the settings are completed, press the JOG dial button to select ■ TIME/DATE SET, and press the JOG dial button.



Adjusting the white balance and black balance

Adjusting the white balance

A better picture can be achieved by adjusting the white balance and black balance in the following sequence: AWB (white balance adjustment) → ABB (black balance adjustment) → AWB.

There is usually no need to re-adjust the black balance even when the power has been turned off and back on.

The white balance must always be re-adjusted when the lighting conditions have changed.

If the display mode is set to “2” or “3,” messages advising the user of what progress has been made in the adjustments and what the adjustment results are appear on the viewfinder screen when the black balance or white balance adjustment is commenced. Set the display mode to “1” if these messages are not to be displayed.

- For details on the display mode settings, refer to “Display modes and setting change messages” (page 43).

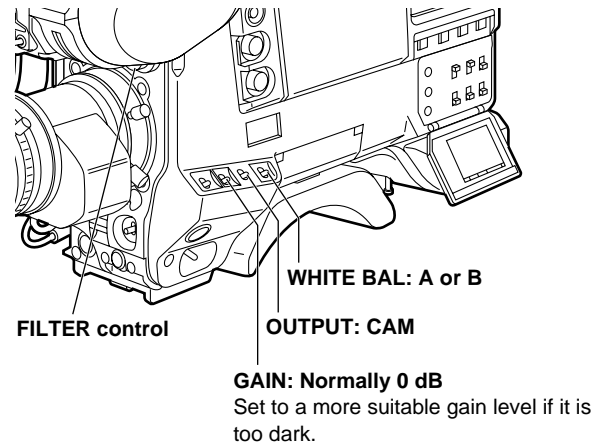
<Notes>

- ABB must be performed when the MASTER GAIN levels have been changed on the LOW SETTING, MID SETTING and HIGH SETTING screens of the CAM MENU, when the super gain setting has been changed using the USER button, and when the GAMMA (ON/OFF) has been switched on the CAMERA SETTING screen.
- With artificial lighting—particularly fluorescent lights and mercury lamps—the luminance may appear to be constant but the intensity of the R, G and B colors will change in synchronization with the power line frequency. Especially in regions with a 50 Hz power line frequency, mutual interference arises between the vertical sync frequency (approx. 60 Hz) of this unit and lighting frequency (50 Hz). As a result, the hue tends to change with the passage of time or flickering occurs, making it impossible to achieve a proper white balance.

It is recommended that the white balance be achieved using the settings shown in the table below.

Power line frequency	Shutter speed
50 Hz	1/100
60 Hz	OFF

- 1 Set the switches as shown in the figure.



When the GAIN and WHITE BAL switch settings are changed, messages advising the user of the set positions appear on the setting change message display of the viewfinder screen. (However, this happens only when “3” has been set as the display mode.)

- 2 Select the FILTER control setting in accordance with the lighting conditions.

- For examples of the FILTER control settings, refer to the description of the FILTER control (page 13) in the “Shooting (recording)/playback function section.”
- When the FILTER control setting is changed, a message advising the user of the set positions appears on the setting change message display of the viewfinder screen. (However, this happens only when “3” has been set as the display mode.)

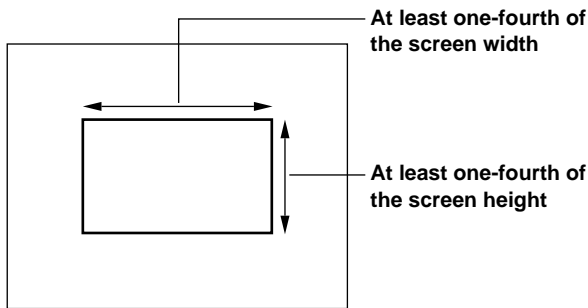
Adjusting the white balance and black balance

Adjusting the white balance

3 Erect a white pattern at a place with the same conditions as the source of light illuminating the subject, zoom in, and shoot the white of the pattern on the screen.

A white object (such as a white cloth or white wall) near the subject may be used as a substitute for the white pattern.

The size of the white object required is shown in the figure below.

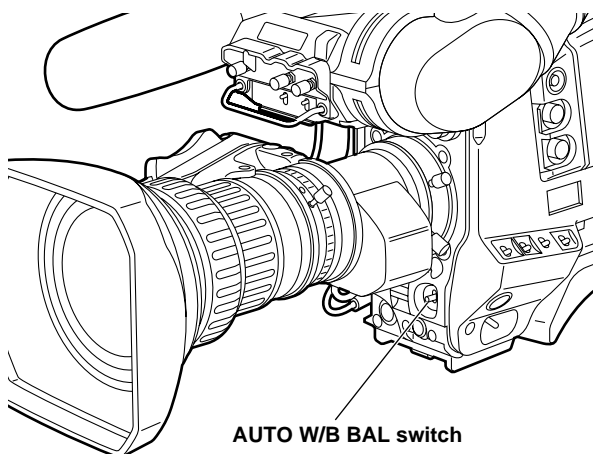


<Note>
Take care to keep high-brightness spots off the screen.

4 Adjust the lens aperture.

5 Set the AUTO W/B BAL switch to AWB, and then release it.

The switch returns to the center, and the white balance is automatically adjusted.



<Note>

When the AUTO W/B BAL switch is pressed again to the AWB side when the white balance is being adjusted automatically (AWB ACTIVE), the adjustment operation will stop.

The adjusted value in this case is the value before automatic adjustment was performed.

6 While the adjustment is in progress, the following message appears on the viewfinder screen (but only when "2" or "3" has been set as the display mode).

AWB ACTIVE

Message appearing while the adjustment is in progress

7 Adjustment is completed in several seconds. (A message similar to the one shown in the figure now appears.)

The adjustment value is automatically saved in the memory (A or B) which was set in step 1.

AWB A OK 3.2K

Message appearing upon completion of the adjustment

8 A message such as the following appears if the color temperature of the subject is lower than 2500 K or higher than 5600 K.

The downward pointing arrow indicates that the color temperature is lower than the display temperature; conversely, the upward pointing arrow indicates that it is higher than the display temperature.

AWB A OK 2.5K ↓

When the color temperature is lower than 2500 K

AWB A OK 5.6K ↑

When the color temperature is higher than 5600 K

<Note>

When a zoom lens with an automatic aperture function is used, aperture hunting may occur. Adjust the aperture's gain control (marked as IG, IS, S, etc.) provided with the lens.

For details, refer to the operating instructions which accompany the lens.

Hunting:

The auto iris response is repeated, causing the brightness levels of the image to become inconsistent.

Adjusting the white balance and black balance

Adjusting the white balance

When the white balance cannot automatically be adjusted

An error message appears on the viewfinder screen (when "2" or "3" has been set as the display mode).

Messages relating to white balance adjustment

Error message	Meaning	Recommended action
COLOR TEMP. HIGH	Color temperature is too high.	Select a suitable filter.
COLOR TEMP. LOW	Color temperature is too low.	Select a suitable filter.
LOW LIGHT	There is not enough light.	Increase the amount of light or increase the gain.
LEVEL OVER	There is too much light.	Reduce the amount of light or reduce the gain.
UNSTABLE CONDITION	The shooting conditions are unstable (shooting under fluorescent light, unstable camera posture, etc.).	If flickering is to blame, install the shutter, and stabilize the shooting conditions.

When any of the error messages listed above is displayed, take the recommended action, and try adjusting the white balance again.

If the error message persists even after repeated attempts, consult your dealer.

<Notes>

On rare occasions, AWB cannot be adjusted and a NG display appears. In a case like this, adjust AWB again.

When there is no time to adjust the white balance

Set the WHITE BAL switch to PRST. The white balance for the filter is achieved in accordance with the setting position of the FILTER control (outer).

White balance memories

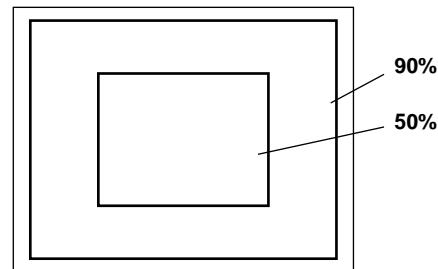
There are two sets of white balance memories, A and B.

When the FILTER INH setting on the CAMERA SW MODE screen of CAM MENU is ON (default setting), the number of memories for set A and set B is limited to one each. In this case, the memory contents are not coupled with the filter.

When FILTER INH is set to OFF, the adjustment values for each filter can be automatically saved in the memories corresponding to the WHITE BAL switch settings (A or B). This unit contains four filters so that a total of 8 (4×2) adjustment values are saved.

White balance search area

It is possible to set the white balance search area to either 90% or 50% by changing the AWB AREA setting on the OPTION screen of the CAM MENU.



Adjusting the white balance and black balance

Adjusting the white balance

When FILTER INH is set to ON

When AWB is adjusted, the color temperature and filter number applying at the time are displayed.

If the filter is then turned, the color temperature and filter number are displayed.

The white balance is almost fully adjusted if the subject is illuminated at a color temperature approaching the one displayed.

(Example of display)

AWB A OK 3.2K

AWB is adjusted using subject filter (B) with a lighting color temperature of 3200 K.



The filter is changed to filter (C)



4.3K (B)

“4.3 K (B)” is displayed.

(1): This indicates that AWB was adjusted using the filter.



If the color temperature of the subject in this state is near 4.3 K, the white balance is right and so the camera can be used.



The filter (B) is restored.



3.2K (B)

“3.2 K (B)” is displayed, and the status when AWB was first adjusted is indicated.

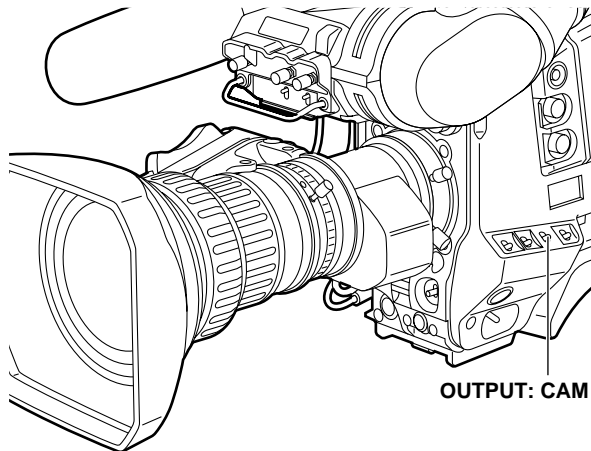
Adjusting the white balance and black balance

Adjusting the black balance

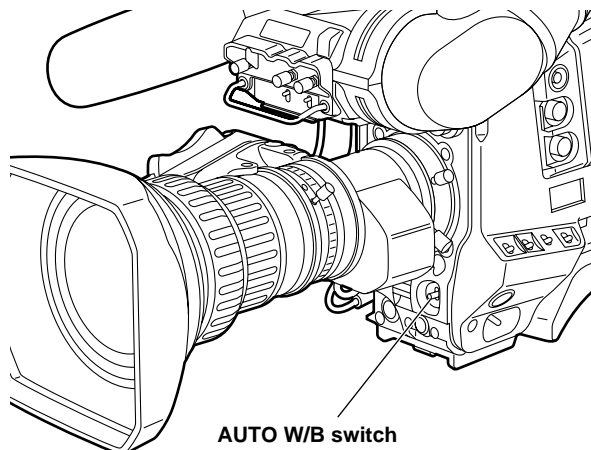
The black balance needs to be adjusted in the following cases:

- When the unit is used for the first time
- When the unit is used after it has not been used for a prolonged period of time
- When the unit is used in an ambient temperature which has fluctuated significantly
- When the value selected for the gain switch has been changed
- When the super gain setting has been performed using the USER button
- When the gamma ON/OFF setting has been changed

1 Set the switches as shown in the figure.



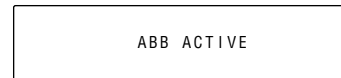
2 Set the AUTO W/B BAL switch to the ABB position, and then release it. The switch returns to the center, and the adjustment is performed.



3 While the adjustment is in progress, the following message appears on the viewfinder screen (but only when "2" or "3" has been set as the display mode).

<Note>

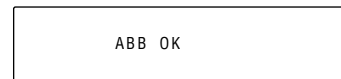
While the adjustment is in progress, the lens aperture is automatically set to CLOSE.



Message appearing while the adjustment is in progress

4 Adjustment is completed in several seconds. (A message similar to the one shown in the figure now appears.)

The adjustment value is automatically saved in the memory.



Message appearing upon completion of the adjustment

<Notes>

- Check that the lens connector has been connected and that the lens aperture is set to CLOSE.
- While the black balance is being adjusted, the aperture is automatically set to the light-shielding status.
- While the black balance is being adjusted, the gain selector circuit is switched automatically. Flicker or noise may appear on the viewfinder screen, but this is not indicative of malfunctioning.
- If black shading is not satisfactory even with ABB OK, open the BLACK SHADING screen of CAM MAIN MENU 4, and adjust the black shading. (Refer to page 93.)
- When the super gain has been set to ON, the black balance is executed at the preset position in the white balance memory.
- When the AUTO W/B BAL switch is pressed again to the ABB side when the black balance is being adjusted automatically (ABB ACTIVE), the adjustment operation will stop. The adjusted value in this case is the value before automatic adjustment was performed.

Setting the electronic shutter

Shutter modes

Available shutter modes and shutter speeds

Mode	Shutter speed	Application
Standard	1/100, 1/120, 1/250, 1/500, 1/1000 and 1/2000 (sec.)	For shooting fast-moving subjects clearly
SYNCHRO SCAN	Between 20.0% and 99.5%	For shooting in such a way that the horizontal striping is minimized on the monitor screen

<Notes>

- No matter in which mode the electronic shutter is used, the higher the shutter speed, the lower the camera's sensitivity.
- When the aperture is in the automatic mode, it will increasingly open and the depth of focus will become shallower as the shutter speed is increased.

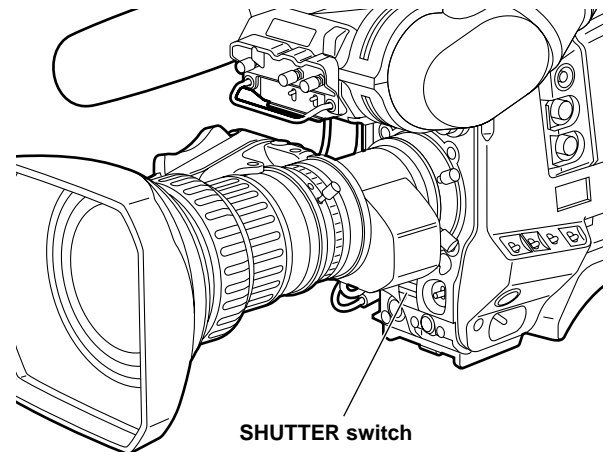
Setting the shutter mode and speed

- The SHUTTER switch is used to set the shutter speed and the shutter speed in the standard mode.
- The shutter speed in the SYNCHRO SCAN mode can easily be changed using the SYNCHRO (“+” and “-”) buttons.
- On the SHUTTER SPEED screen of CAM MENU, the setting range of the shutter speed can be restricted to the required range and whether or not to use the special operation mode (SYNCHRO SCAN) can be selected.

1 Following the steps for “Switching the display mode” (page 44), set DISP MODE to “2” or “3” on the CAM VF DISPLAY screen of CAM MENU.

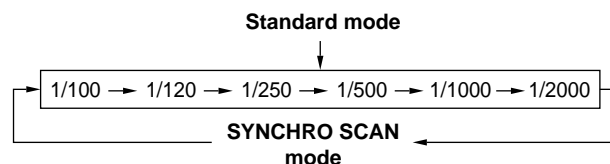
2 Press the SHUTTER switch from ON to SEL. The current shutter setting appears on the setting change message display area of the viewfinder screen.

Example: “1/120,” “50.0%,” etc.



3 Press the SHUTTER switch to the SEL position again, and repeat this until the desired mode or speed is displayed.

When all the modes and speeds are displayed, the display will change in the sequence shown below. When the required shutter speed and mode have been assigned beforehand, only the assigned speed or mode will be displayed.

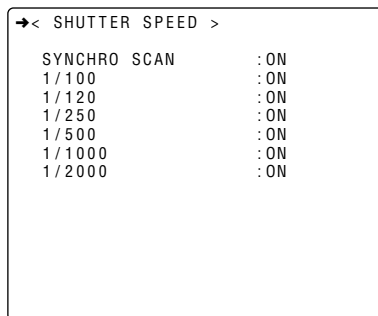


Setting the electronic shutter

Changing the shutter speed and mode selection range

On the SHUTTER SPEED screen of CAM MENU, the setting range of the shutter speed can be restricted to the required range and whether or not to use the special operation mode (SYNCHRO SCAN) can be selected.

- 1 Perform the menu operations (pages 72 to 74), and display the "SHUTTER SPEED" screen.



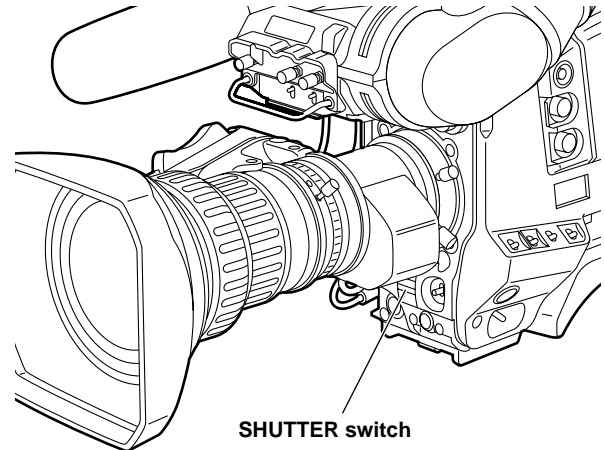
- 2 Turn the JOG dial button to move the arrow (cursor) to the desired item.
- 3 Press the JOG dial button to set the item to be changed.
Turn the JOG dial button to select ON or OFF, and press the button to enter the setting.
- 4 Press the MENU button to exit the menu operations.
The setting menu is cleared, and the display showing the unit's current statuses appears at the top and bottom of the viewfinder screen.

<Notes>

- When operating the unit from the AJ-EC3 extension control unit (optional accessory), the shutter speed selected by the AJ-EC3 switch will take precedence in determining the actual shutter speed even when operations have been performed on the unit's SHUTTER SPEED screen.
- For details on selecting the engineer mode and display screens, refer to "Menu operations" (pages 72 to 74).

Setting the synchro scan mode

- 1 Press the SHUTTER switch from ON to SEL and set to SYNCHRO SCAN.



- 2 In the SYNCHRO SCAN mode, continuous switching inside the 20.0% to 99.5% range can be achieved by pressing the SYNCHRO ("+" and "-") buttons.

Variable frame rate

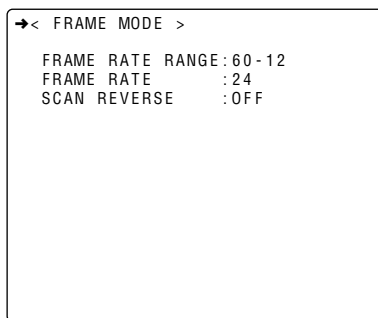
This camera/VTR enables the frame rate (shooting speed) to be set from 4 frames/sec. (3.99 Hz) to 60 frames/sec. (59.94 Hz).

Since the 720P/59.94 Hz format is used for recording onto the tape or outputting to the HD SDI OUT connector, users now have the exciting opportunity to create a whole new dimension of moving images with clearer slow-motion images and blur effects—a world which was hitherto confined to the field of film production—in their own video productions.

This unit automatically stores as the tape management information both the frame rate information which indicates the shooting speed and the active frame information which indicates the first frame where the frame image was switched in the user's bit of the sub-code track area (this used to be the LTC area). This information is output from the TC OUT connector and HD SDI OUT connector. Further, the active frame information is stored in the least significant digit of the user's bit while the frame rate information is stored in its lower third and fourth digits.

Setting the frame rate

- 1 Perform the menu operations (pages 72 to 74), and display the "FRAME MODE" screen.



- 2 Turn the JOG dial button to move the arrow (cursor) to the "FRAME RATE" item.
- 3 Press the JOG dial button, and set the desired frame rate.
Turn the JOG dial button to select the frame rate, and press the JOG dial button to enter the selection.
- 4 Press the MENU button to exit the menu operations.
The setting menu is cleared, and the display showing the unit's current statuses appears at the top and bottom of the viewfinder screen.

<Notes>

In this unit, the frame rate is set by changing the storage time of the optical signals sensed by the CCD. Depending on the frame rate setting, the following problems may arise.

① White streaks

The dark current of the photodiode that configures the CCD's pixels causes defective pixels to arise, and this results in the appearance of white streaks on the screen. This current increases in direct proportion to the rise in the CCD's temperature and storage time in the photodiode.

In short, the white streaks increase in inverse proportion to the frame rate setting.

When a lower frame rate setting is desired, reduce the master gain setting and, where possible, avoid direct sunlight and use the unit in a cool environment.

② Delayed response time in automatic processing

When the frame rate setting has been lowered, it takes longer for the unit to perform the automatic processing (such as auto white balance, flare compensation, auto knee and auto iris), possibly giving the user the impression that something is odd or wrong.

The response time for automatic processes is particularly slow at a frame rate of 20 frames/sec. (19.98 Hz) and below.

When the frame rate has been set to 20 frames/sec. (19.98 Hz) or below, it is recommended that the unit be operated with the automatic processing released.

③ Black shading/white shading

Both black shading and white shading are compensated for when the frame rate is set to 60 frames/sec. (59.94 Hz) and scan reverse is set to OFF. No compensation is provided at any other settings.

④ Disturbed images

The images may be disturbed for a moment if scene-to-scene continuity is performed while the time code is allowed to advance in the rec run mode when the frame rate is set to 24 frames/sec. (23.98 Hz).

This occurs in order to reset the video signals from the camera so as to maintain the continuity of the time code recorded on the tape.

The disturbed images are not recorded on the tape but they will affect the signals which are output from the HD SDI OUT connector.

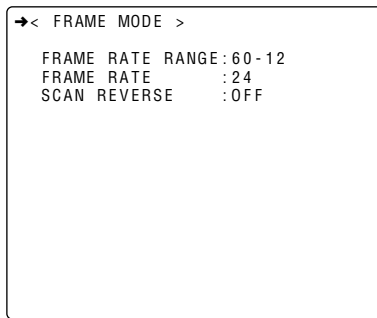
Furthermore, if the time code is allowed to advance in the free run mode when the frame rate is set to 24 frames/sec. (23.98 Hz), at that instant when the time code is preset or the time code is locked to the external signal, the images may be disturbed for a moment.

Scan reverse

The unit makes it possible to correct the images (by reversing their top and bottom and their left and right) when the prime lens is used for shooting.

Setting the scan reverse

- 1 Perform the menu operations (pages 72 to 74), and display the “FRAME MODE” screen.



- 2 Turn the JOG dial button to move the arrow (cursor) to the “SCAN REVERSE” item.
- 3 Press the JOG dial button, and set the desired scan reverse.
Turn the JOG dial button, ON or OFF and press the JOG dial button to enter the selection.
- 4 Press the MENU button to exit the menu operations.
The setting menu is cleared, and the display showing the unit’s current statuses appears at the top and bottom of the viewfinder screen.

Adjusting the audio level

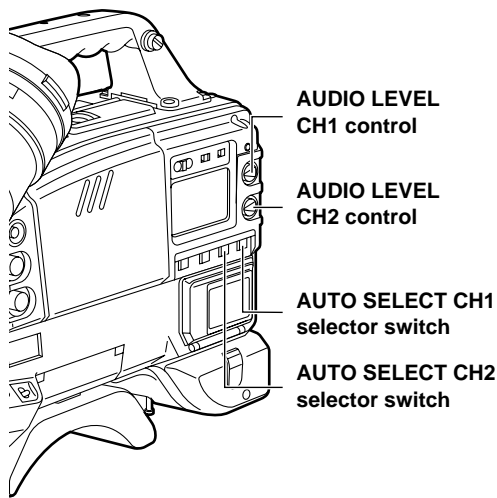
When the AUTO SELECT CH1 and CH2 selector switches are set to AUTO, the audio CH1 and CH2 input levels are adjusted automatically.

Proceed as follows to adjust the audio channel 1 and 2 levels manually.

Manual audio level adjustments

1 Set the AUTO SELECT CH1 and CH2 selector switches to MAN.

2 Adjust the AUDIO LEVEL CH1 and CH2 controls in such a way that, when audio signals are input, the level meter reading will not exceed 0 dBu even under maximum signal input level conditions.



Limiter

When the audio levels have been adjusted manually, the limiter circuit is tripped by an excessively high input level. This circuit can be turned ON or OFF on the MIC/AUDIO screen of the VTR menu.

(The factory setting is OFF.)

Setting the time data

When the user's bit and time code are both to be used, the user's bit is set first.

If the time code is set first, the time code generator will stop while the user's bit is being set so that the time code setting will be off.

The time code setting range extends from 00:00:00:00 to 23:59:59:29.

Setting the user's bit

Setting the user's bit enables information such as memos (dates, times) up to 8 digits in hexadecimal notation to be recorded on the sub code track.

1 Set the DISPLAY switch to UB.

2 Set the TCG switch to SET.

3 Set the user's bit using the SHIFT button, "+" button and "-" button.

SHIFT button:

This is used to start the digit to be set flashing. Each time it is pressed, the flashing moves by one digit to the right.

"+" button:

This increments by 1 the numerical value of the flashing digit.

"-" button:

This decrements by 1 the numerical value of the flashing digit.

A to F in hexadecimal notation are displayed as follows:

Hexadecimal notation	A	B	C	D	E	F
Display	<i>A</i>	<i>b</i>	<i>C</i>	<i>d</i>	<i>E</i>	<i>F</i>

4 Set the TCG switch to F-RUN or R-RUN.

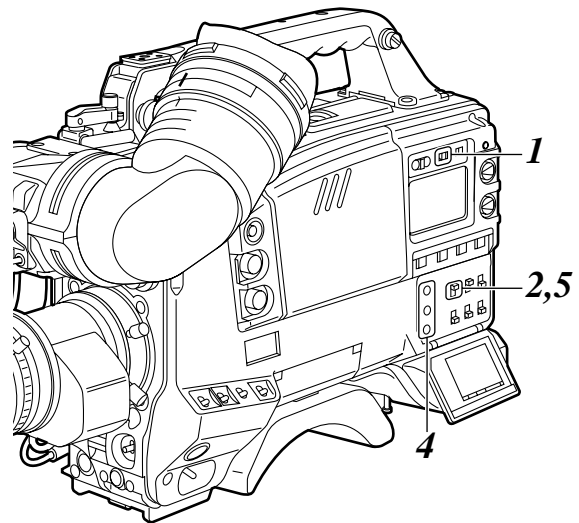
5 Select UB MODE item on the TC/UB screen of VTR MENU.

User's bit memory function

The user's bit settings (except for the actual time) are automatically saved in the memory and retained even after the power is turned off.

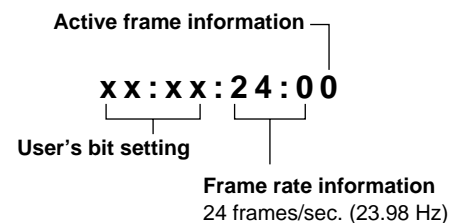
<Notes>

- When DATE is selected from the UB MODE items, the real time operations for year/month/day/time of the TIME/DATE screen are adhered to.
- When TIME is selected from the UB MODE items, the real time operations for hours/minutes/seconds of the TIME/DATE screen are adhered to.



This unit automatically stores as the tape management information both the frame rate information which indicates the shooting speed and the active frame information which indicates the first frame where the frame image was switched in the user's bit of the sub-code track area (this used to be the LTC area). This information is output from the TC OUT connector and HD SDI OUT connector. Further, the active frame information is stored in the least significant digit of the user's bit while the frame rate information is stored in its lower third and fourth digits.

Example of display



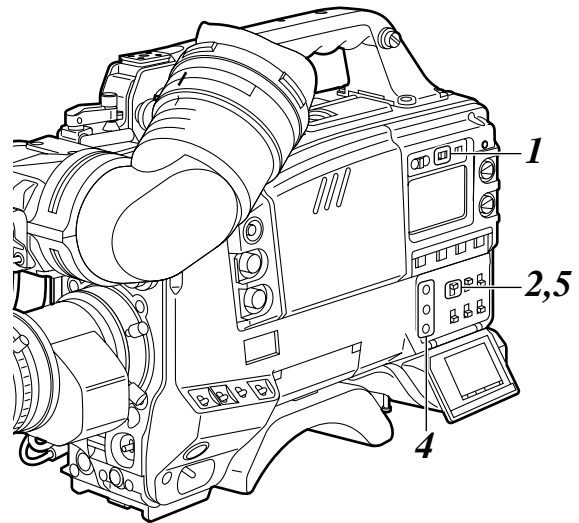
<Notes>

- When "DATE," "TCG" or "USER" has been selected as the UB MODE item setting on the TC/UB screen, the tape management information is output from the least significant digit to the lower fourth digit of the user's bit, so no other user's bit information will be output.
- The tape management information is not output as the user's bit information in the VIDEO AUX area (this used to be the VITC area).

Setting the time data

Setting the time code

- 1** Set the DISPLAY switch to TC.
- 2** Set the TCG switch to SET.
- 3** Switch the TC MODE to DF or NDF on the TC/UB screen of VTR MENU.
Select DF to run the time code in the drop frame mode or select NDF to run the time code in the non-drop frame mode.
- 4** Set the time code using the SHIFT button, “+” button and “-” button.
SHIFT button:
This is used to start the digit to be set flashing. Each time it is pressed, the flashing moves by one digit to the right.
“+” button:
This increments by 1 the numerical value of the flashing digit.
“-” button:
This decrements by 1 the numerical value of the flashing digit.
- 5** Select the TCG switch position.
Select F-RUN for running the time code in the free-run mode or select R-RUN for running it in the rec-run mode.



<Note>

When the frame rate is set to 24 frames/sec. (23.98 Hz), this unit will perform the processing in the non-drop frame mode in order to maintain the continuity of the frames even when the time code has been set to the drop frame mode. Furthermore, when the frame rate has been set to 24 frames/sec. (23.98 Hz), it will not be possible to set the time code while recording is in progress since the images will be disturbed if the advancing of the time code is discontinuous.

Time code when the battery is replaced

The backup function works even when the battery is replaced, and the time code generator continues to operate for a prolonged duration (approx. 1 year).

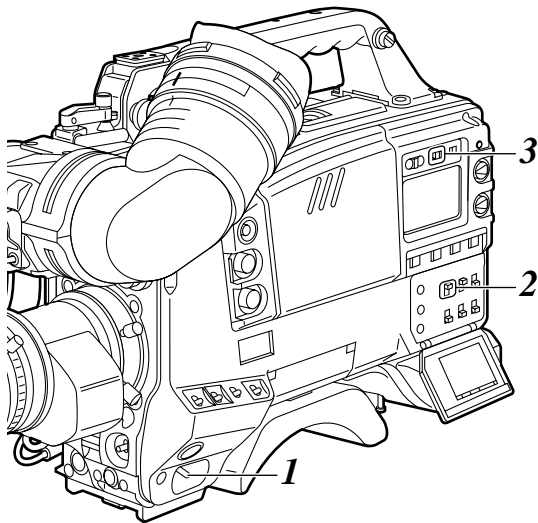
<Note>

When the POWER switch is set to ON → OFF → ON, the backup accuracy of the time code is approximately ± 2 frames.

Setting the time data

Externally locking the time code

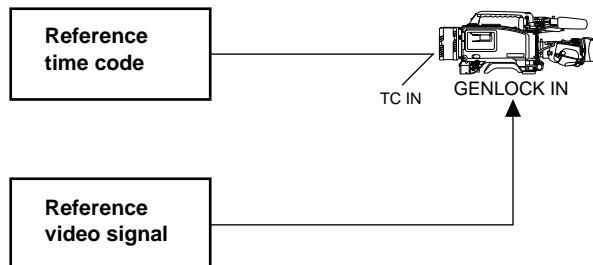
- 1 Set the POWER switch to ON.
- 2 Set the TCG switch to F-RUN.
- 3 Set the DISPLAY switch to TC.
- 4 Supply the reference time code and reference video signal which are in a phase relationship that satisfies the time code standard to the TC IN connector and GENLOCK IN connector respectively.



Example of connections for external lock

The time code generator of the VTR unit can be locked to an external generator.

When locking to an external signal



The built-in time code generator is now locked to the reference time code.

About 10 seconds after locking, the external lock status will be retained even if the connection of the externally supplied reference time code is disconnected. However, the servo lock will be subject to disturbances if it is connected or disconnected during recording (REC).

<Note>

When the external lock operation is performed, the time code is instantly locked to the external time code, and the same value as the external code value appears on the counter display.

Do not set the unit to the recording mode during the few seconds it takes for the sync generator to stabilize.

User's bit setting when the time code is externally locked

When the time code is externally locked, only the time data is locked to the time data of the external time code.

This means that the user's bit can be set separately for each unit.

The user's bit can also be locked to the user's bit of the external time code. For details, consult your dealer.

To release the external lock

First stop supplying the external time code, and set the TCG switch to R-RUN.

When switching the power from the battery to an external power supply while the time code is externally locked

In order to ensure the continuity of the time code generator's power, connect the external power supply to the DC IN connector, and then remove the battery pack. If the battery pack is removed first, no guarantees can be made for the continuity of the external locking of the time code.

Gen-locking of the camera unit while the time code is externally locked

While the time code is externally locked, the camera unit is gen-locked by the reference video signal which is supplied to the GEN LOCK IN connector.

<Note>

When the frame rate is set to 24 frames/sec. (23.98 Hz), this unit will perform the processing in the non-drop frame mode in order to maintain the continuity of the frames even when the time code has been set to the drop frame mode. If an external time code generator is used, set it to the non-drop frame mode.

How to use the user data

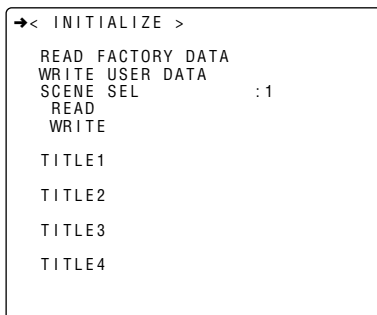
The contents of the setting menus can be saved in the user area of the camera's memory, and they can be loaded from this area. Use of this data speeds up the process of reproducing suitable setup statuses.

User data operation

Menus are used to save the setting menu contents in the user area of the camera's memory and load them from this area.

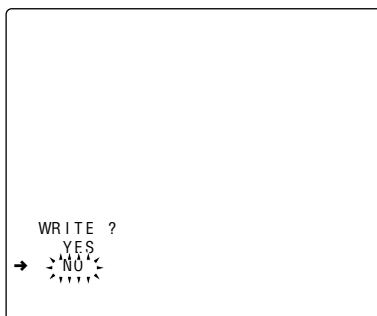
Saving the user data

- 1 Perform the menu operations (pages 72 to 74), and display the "INITIALIZE" screen of CAM MAIN MENU 4.



- 2 Turn the JOG dial button to move the arrow (cursor) to the WRITE USER DATA item.

- 3 When the JOG dial button is pressed, the following message appears.

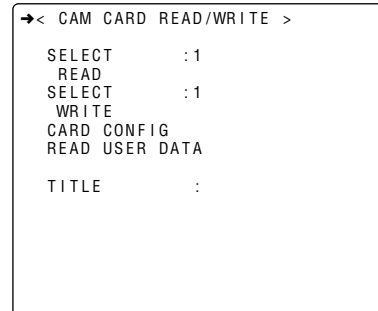


- 4 Turn the JOG dial button to move the arrow (cursor) to YES, and press the JOG dial button. The data settings are saved in the user area of the camera's memory.

- 5 After the data has been saved, press the MENU button twice. The setting menu is cleared, and the display showing the unit's current statuses appears at the top and bottom of the viewfinder screen.

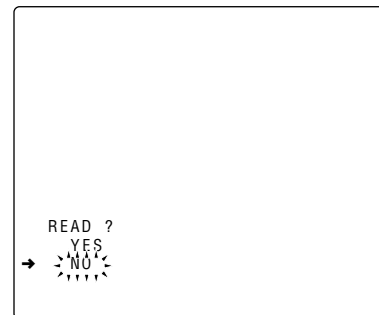
Loading the user data

- 1 Perform the menu operations (pages 72 to 74), and display the "CAM CARD READ/WRITE" screen of CAM MAIN MENU 3.



- 2 Turn the JOG dial button to move the arrow (cursor) to the READ USER DATA item.

- 3 When the JOG dial button is pressed, the following message appears.



- 4 Turn the JOG dial button to move the arrow (cursor) to YES, and press the JOG dial button. The data settings saved in the user area of the camera's memory are loaded, and the settings are completed.

- 5 Press the MENU button twice. The setting menu is cleared, and the display showing the unit's current statuses appears at the top and bottom of the viewfinder screen.

Setup card operations

Use of the setup memory card (optional accessory) enables the setting menu contents to be saved. Use of this data speeds up the process of reproducing suitable setup statuses.

- The multimedia cards or the SD memory cards can be used as the setup cards.

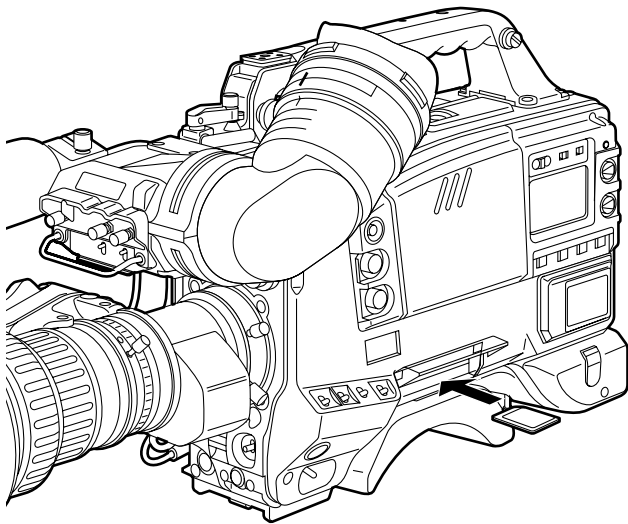
How to insert the setup card

With the surface bearing the logo facing you, insert the setup card into the setup card slot, and close the cover.

<Note>

Check that the surface bearing the logo is facing you and the lettering is not upside down before inserting the card.

When inserting the card, check the direction in which the card is pointing, and if it does not slide neatly into place, it means that the card may be pointing in the wrong direction or that it may be upside down. Do not force the card into place but check which is the front and back and which is the top and bottom, and try inserting the card again.

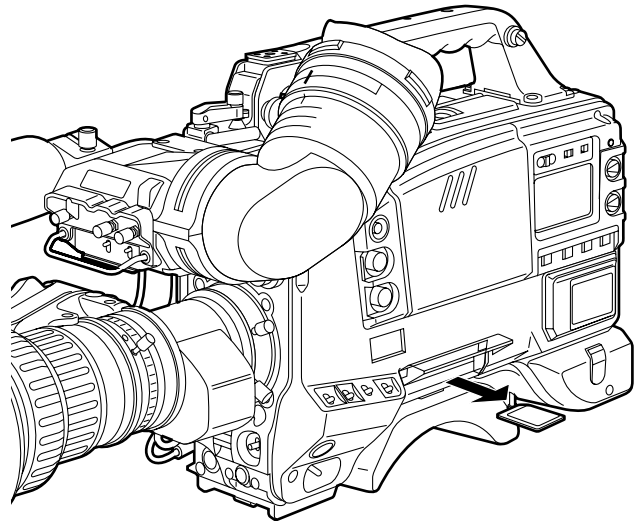


How to eject the setup card

Open the cover by raising its bottom edge, and eject the setup card.

<Note>

Take care not to touch the connector on the edge of the setup card directly.



Bear in mind the following points when using and saving the setup cards.

- Avoid high temperatures and high humidity levels.
- Keep the cards away from water.
- Avoid exposing the cards to electrical charges.

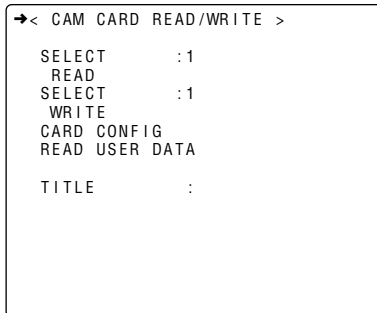
Keep the setup card inside the unit with the cover closed.

Setup card operations

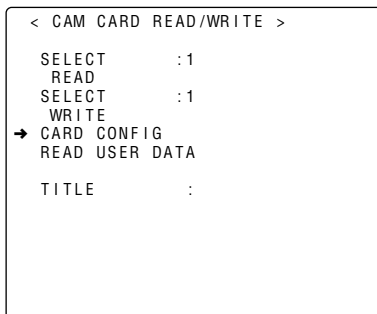
The operations for saving setting data on the setup card and loading the saved data from the card are performed on the CAM CARD READ/WRITE screen of CAM MAIN MENU 3.

Formatting the setup card

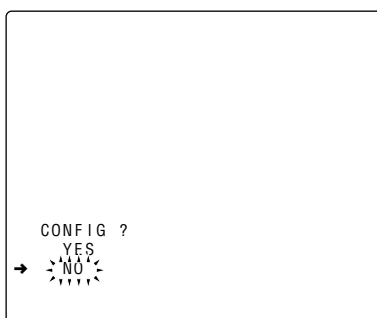
1 Perform the menu operations (pages 72 to 74), and display the “CAM CARD READ/WRITE” screen.



2 Turn the JOG dial button to move the arrow (cursor) to the CARD CONFIG item.



3 When the JOG dial button is pressed, the following message appears on the screen.



4 To proceed with the formatting of the setup card, turn the JOG dial button to move the arrow (cursor) to YES, and press the JOG dial button. When the formatting of the card is completed, the following message appears.

<Note>

When the card is formatted, the settings statuses applying at the time are also saved in the memory.



If one of the following messages appears when the JOG dial button is pressed, the card will not be formatted.

Error message	Remedial action
CONFIG NG NO CARD (setup card has not been inserted)	Insert the card.
CONFIG NG ERROR (the card cannot be formatted)	The card may be defective. Replace it.

5 Press the MENU button to exit the menu operations.

The setting menu is cleared, and the display showing the unit’s current statuses appears at the top and bottom of the viewfinder screen.

Setup card operations

Saving the data settings on the card

1 Perform the menu operations (pages 72 to 74), and display the “CAM CARD READ/WRITE” screen.

```
→< CAM CARD READ/WRITE >
SELECT      :1
READ
SELECT      :1
WRITE
CARD CONFIG
READ USER DATA
TITLE      :
```

Select the file No.

2 Turn the JOG dial button to move the arrow (cursor) to the SELECT item which comes after WRITE, and press the JOG dial button.

```
< CAM CARD READ/WRITE >
SELECT      :1
READ
→ SELECT    :1
WRITE
CARD CONFIG
READ USER DATA
TITLE      :
```

3 Turn the JOG dial button to select a number from 1 to 8, and press the JOG dial button.

Give a title to the selected file.

4 Turn the JOG dial button to move the arrow (cursor) to the TITLE item.

```
< CAM CARD READ/WRITE >
SELECT      :1
READ
SELECT      :1
WRITE
CARD CONFIG
READ USER DATA
TITLE      :↓
```

5 When the JOG dial button is pressed, the arrow (cursor) starts flashing, and the input mode is established.

```
< CAM CARD READ/WRITE >
SELECT      :1
READ
SELECT      :1
WRITE
CARD CONFIG
READ USER DATA
TITLE      :↓
```

6 Turn the JOG dial button until the character to be set appears. When the button is turned, the character displayed is switched in the following sequence:

Space:



letters: A—Z



numbers: 0—9



symbols: ' , > , < , / , -

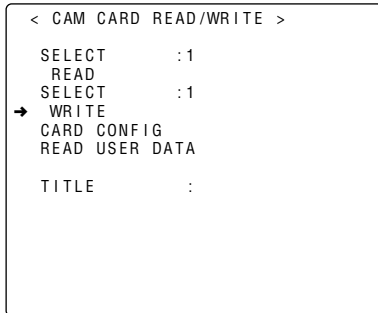
7 Press the JOG dial button to enter the character.

8 Turn the JOG dial button to move the arrow (cursor) to the next position (right), and repeat steps 5 to 7 to set the characters (maximum of 8).

Setup card operations

Give a title to the selected file.

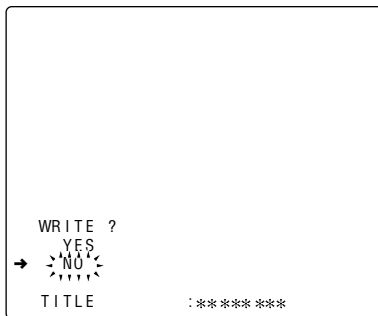
9 Turn the JOG dial button to move the arrow (cursor) to the WRITE item.



If one of the following messages appears when the JOG dial button is pressed, the data cannot be saved.

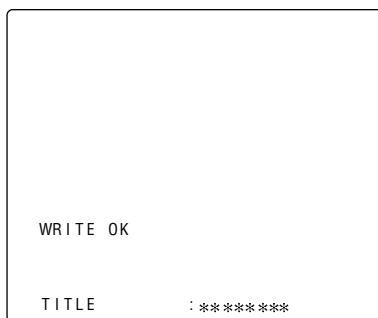
Error message	Remedial action
WRITE NG NO CARD (setup card has not been inserted)	Insert the card.
WRITE NG FORMAT ERROR (formatting error)	The card was formatted by a device other than the unit. Replace the card.
WRITE NG ERROR (the data cannot be saved)	The card may be defective. Replace it.

10 When the JOG dial button is pressed, the following message appears.



12 Press the MENU button to exit the menu operations.
The setting menu is cleared, and the display showing the unit's current statuses appears at the top and bottom of the viewfinder screen.

11 Turn the JOG dial button to move the arrow (cursor) to YES, and press the JOG dial button. When the data saving is completed, the following message appears.



To save the VTR unit's data, open the VTR CARD READ/WRITE screen, and perform steps 9 to 11.

Setup card operations

Loading the data saved on the card

1 Perform the menu operations (pages 72 to 74), and display the “CAM CARD READ/WRITE” screen.

```

->< CAM CARD READ/WRITE >
SELECT      :1
READ
SELECT      :1
WRITE
CARD CONFIG
READ USER DATA
TITLE      :
    
```

Select the file No.

2 Turn the JOG dial button to move the arrow (cursor) to the SELECT item which comes after READ, and press the JOG dial button.

```

< CAM CARD READ/WRITE >
-> SELECT    *
READ
SELECT      :1
WRITE
CARD CONFIG
READ USER DATA
TITLE      :
    
```

3 Turn the JOG dial button to select any number from 1 to 8, and press the JOG dial button.

Load the data of the selected file.

4 Turn the JOG dial button to move the arrow (cursor) to the READ item.

```

< CAM CARD READ/WRITE >
SELECT      :1
-> READ
SELECT      :1
WRITE
CARD CONFIG
READ USER DATA
TITLE      :
    
```

5 When the JOG dial button is pressed, the following message appears.

```

READ ?
  YES
-> NO
*****
TITLE      :*****
    
```

6 Turn the JOG dial button to move the arrow (cursor) to YES, and press the JOG dial button. When the data loading is completed, the following message appears.

```

READ OK
TITLE      :*****
    
```

To load the VTR unit's data, open the VTR CARD READ/WRITE screen, and perform steps 4 to 6.

If one of the following messages appears when the JOG dial button is pressed, the data cannot be loaded.

Error message	Remedial action
READ NG NO CARD (setup card has not been inserted)	Insert the card.
READ NG FORMAT ERROR (formatting error)	The card was formatted by a device other than the unit. Replace the card.
READ NG NO FILE (file not found)	Save the file data.
READ NG ERROR (the data cannot be loaded)	Data saved by devices other than unit cannot be loaded.

7 Press the MENU button to exit the menu operations. The setting menu is cleared, and the display showing the unit's current statuses appears at the top and bottom of the viewfinder screen.

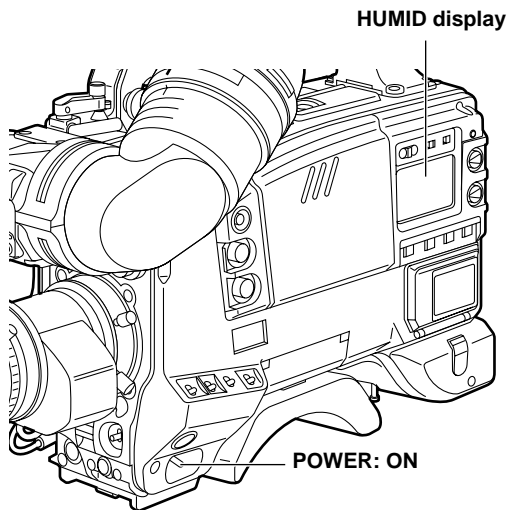
Cassette tapes

Loading a cassette tape

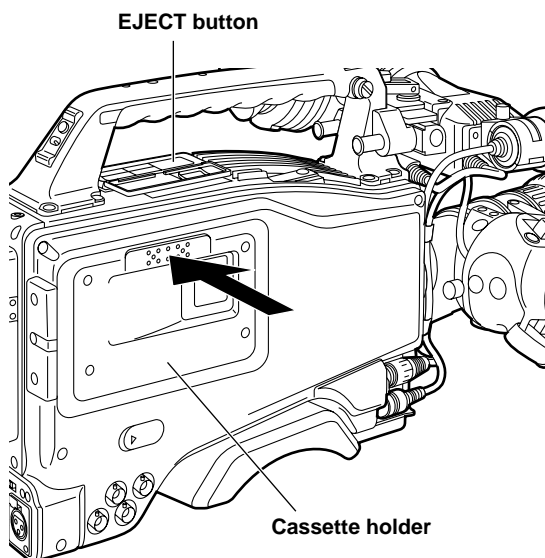
1 Check that there are no cables around the cassette holder or top panel, and set the POWER switch to ON.

<Note>

When condensation has formed inside the unit, the HUMID display lights. Wait until this display is cleared before proceeding with the intended operation.



2 Press the EJECT button. The cassette holder opens.



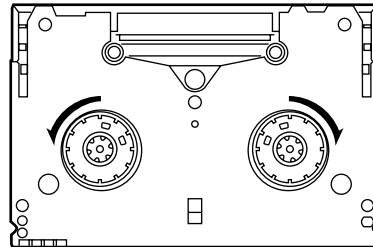
3 Insert the cassette tape and press the part marked with the arrow to close the cassette holder securely.

<Note>

Check that there is no slack in the tape of the cassette.

Checking for tape slack

Gently push in the reel using your finger and turn the reel in the direction of the arrow. If the reel fails to turn, it means there is no tape slack.



Ejecting the cassette tape

While the power is still on, press the EJECT button to open the cassette holder, and take out the cassette tape. If another cassette is not going to be loaded immediately after this tape is ejected, close the cassette holder.

Ejecting the cassette when the battery has no charge

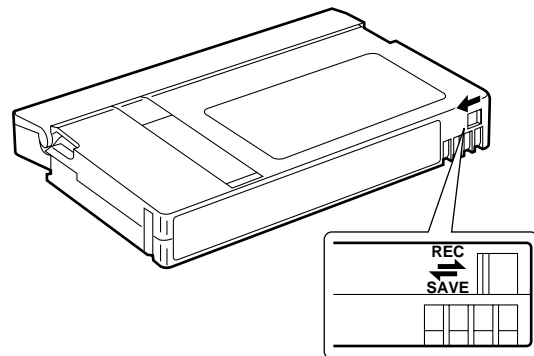
First, set the POWER switch to OFF to turn off the unit's power.

Then turn the power back on, and immediately hold down the EJECT button.

The cassette can be removed when there is still some power left in the battery. However, do not repeat this operation.

To prevent accidental erasure

Set the cassette's tab to SAVE to prevent the recordings on the tape from being erased accidentally.



Recording

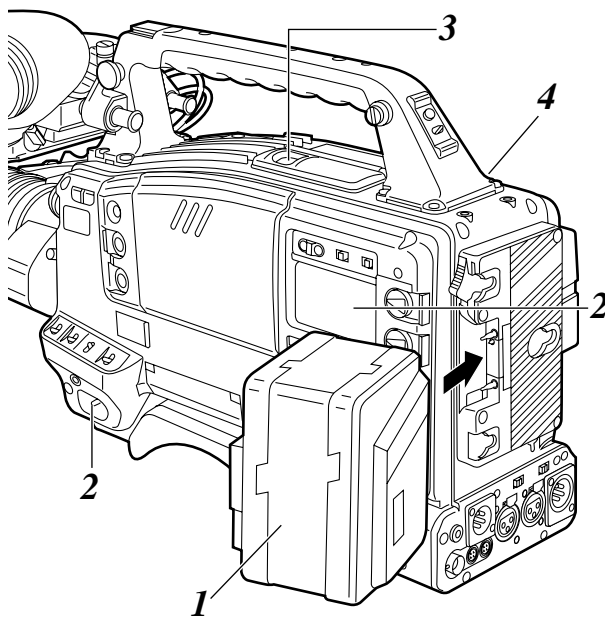
This section describes the basic steps for shooting and recording.

Before actually departing to shoot scenes, carry out inspections to ensure that the system is functioning properly.

- For details on how to perform these inspections, refer to “Inspections prior to shooting” (pages 111 to 114).

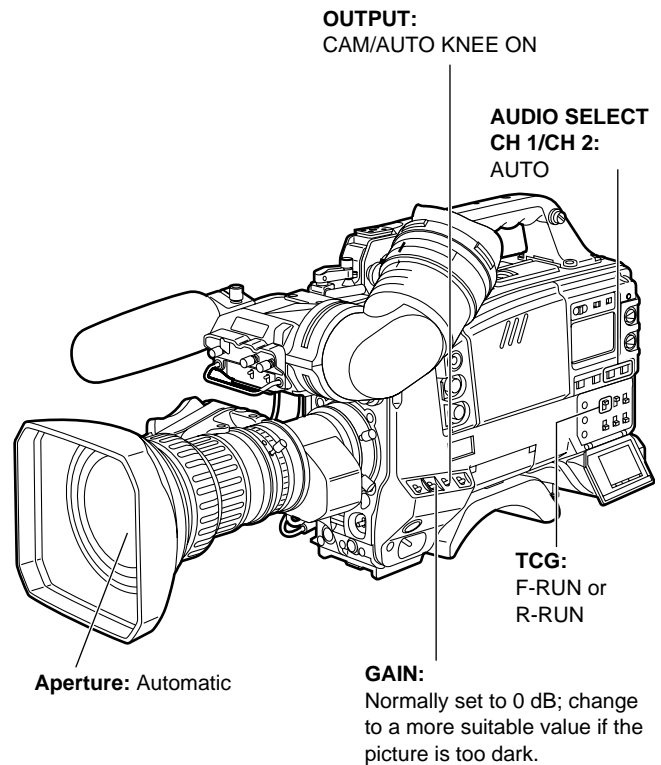
From providing the power supply to loading the cassette

- 1** Install a fully charged battery pack.
- 2** Set the POWER switch to ON. Now check that the HUMID display is not showing and that at least 5 segments of the remaining battery charge display are lighted.
 - If the HUMID display is showing, wait until it goes off.
 - If at least 5 segments of the remaining battery charge display are not lighted, replace the battery with a fully charged one.
- 3** Check that there are no cables around the cassette holder or top panel, and then press the EJECT button to open the cassette holder.
- 4** After checking the following, insert the cassette tape, and close the cassette holder.
 - Position of the accidental erasure prevent tab
 - Tape slack



From adjusting the white balance and black balance to stopping the recording

Turn on the power, and after inserting the cassette, set the switches as shown in the figure below.



Recording

Shooting

- 1-1** Select the filter to match the lighting conditions, and set the WHITE BAL switch to "A" or "B" if the white balance has been stored in the memory ahead of time.

If the white balance and/or black balance have not been stored in the memory and there is no time to adjust the white balance: Set the WHITE BAL switch to PRST. The white balance for the filter is achieved in accordance with the setting position of the FILTER control (outer).

- 1-2** When adjusting the white balance on the spot

Select the filter to match the lighting conditions, set the WHITE BAL switch to "A" or "B," and adjust the white balance as follows:

- (1) Press the AUTO W/B BAL switch to the AWB position and adjust the white balance.
- (2) Press the AUTO W/B BAL switch to the ABB position and adjust the black balance.
- (3) Press the AUTO W/B BAL switch to the AWB position and adjust the white balance again.

For details on how to adjust the white balance, refer to "Adjusting the white balance and black balance" (pages 47 to 51).

- 2** Point the camera at the subject, and adjust the focus and zoom.

- 3** When the electronic shutter is to be used, set the shutter speed and operating mode.

- For details, refer to "Setting the electronic shutter" (pages 52 and 53).

- 4** Press the VTR START button or lens VTR button to start recording.

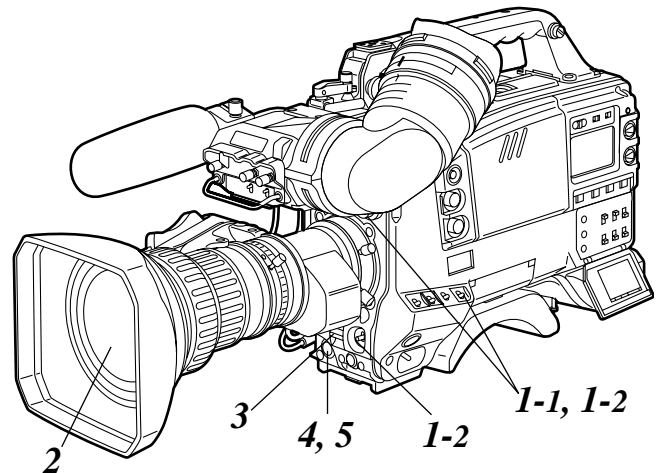
During recording, the REC lamp inside the viewfinder lights.

- 5** To stop the recording, press the VTR START button again.

The REC lamp inside the viewfinder goes off.

Tape function buttons

During recording, the tape function buttons (EJECT, REW, FF, PLAY/PAUSE and STOP) will not work.



Recording

Scene-to-scene continuity

If the unit is in the rec-pause mode, it is possible to ensure scene-to-scene continuity with an accuracy of 0 up to 1 frame just by pressing the VTR START button or lens VTR button.

If the unit is in a mode other than rec-pause, the point at which the scene-to-scene continuity is to be maintained must be located before recording is started.

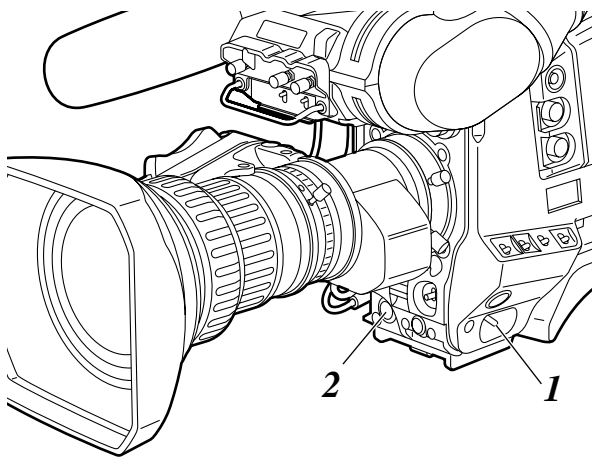
During rec-pause

The scene-to-scene continuity timing is located automatically. However, the time taken until the start of recording differs depending on the setting of the VTR SAVE/STBY switch.

- When the VTR SAVE/STBY switch is set to SAVE, recording commences about two seconds after the VTR START button is pressed.
- When the VTR SAVE/STBY switch is set to STBY, recording commences as soon as the VTR START button is pressed.

Ensuring scene-to-scene continuity after the power was turned off while the unit was in the rec-pause mode

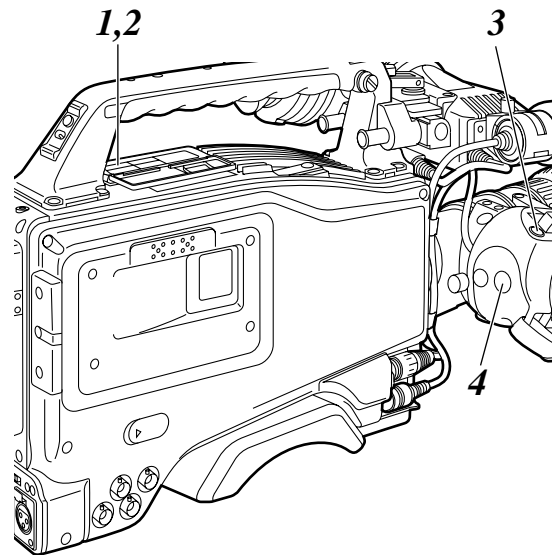
- 1** Switch the power back on.
- 2** Press the VTR START button or lens VTR button to start the recording.



Ensuring scene-to-scene continuity at other times

Proceed as follows either after the tape has been allowed to run or after the cassette has been ejected or when ensuring continuity on a tape which has been recorded only in part.

- 1** While monitoring the viewfinder screen, press the PLAY/PAUSE button to play back the tape.
- 2** At the place on the tape where continuity is to be maintained, press the PLAY/PAUSE (or STOP) button again to stop the tape.
- 3** Press the lens RET button. It takes about two seconds to complete the preparations for the scene-to-scene continuity.
- 4** Press the VTR START button or lens VTR button to start the recording.



Playback (checking what has been recorded)

When the PLAY/PAUSE button is pressed, the playback pictures can be monitored in black and white on the viewfinder screen.

These playback pictures can be monitored in two other ways.

Rec review

When recording is temporarily stopped and the lens RET button is pressed, the last two seconds of the tape are automatically rewound, and the playback pictures on this part of the tape appear on the viewfinder screen. This makes it possible to check whether recording was performed properly.

After the two seconds of the tape have been played back, the unit is again set to the recording start standby mode.

If the RET button is held down, a maximum of 10 seconds of the tape is rewound and played back.

<Note>

The rec review function cannot be used unless recording lasts for one or more seconds.

Color playback

When an HD color monitor is connected to the unit's HD SDI OUT connector, color playback pictures can be monitored.

The playback signals will be output to the viewfinder even during rewinding (REW) or fast forwarding (FF).

Selecting the audio output of the playback signal and adjusting the volume are accomplished using the MONITOR switch control (page 11).

Lens RET button functions

Depending on the internal VTR status, the RET button functions which appear on the viewfinder screen change as follows.

Internal VTR status	What appears on the viewfinder screen
During recording	Pictures which are shot by the camera (RET button does not work)
During rec-pause	What has just been recorded (rec review of 2 seconds of the tape recording) can be checked.
During playback	Playback pictures of internal VTR (RET button does not work)
During play-pause	Pictures accompanying operation to locate the scene-to-scene continuity point

Other VTR functions

NEWS REC function

The NEWS REC function is set using NEWS REC MODE on the VTR MENU "FUNCTION" screen.

By controlling the VTR START button acknowledgment time during recording (by up to 2 seconds), the time taken for the unit to transfer from the recording mode to the rec-pause mode can be delayed.

In other words, by controlling the VTR start button operation acknowledgment time, the unit can continuously record without the user having to interrupt the recording: this safeguards against the failure to record those precious moments—a failure that occurs when recording is resumed immediately after it was shut down temporarily.

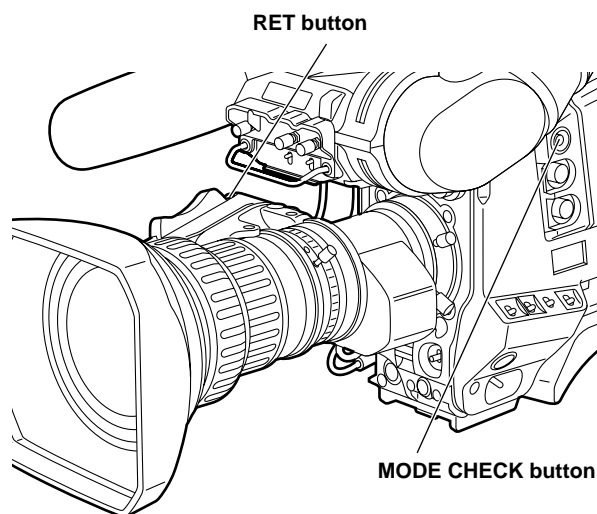
RETAKE function

The RETAKE function is activated by selecting ON for RETAKE MODE on the VTR MENU "FUNCTION" screen.

If the lens RET button is pressed while holding down the MODE CHECK button when the unit is in the rec-pause mode upon completion of a recording or subsequently in the STOP mode, the tape will be rewound to a point near the start point (a position about 10 frames ahead of the recording start point) of the final picture which was last recorded, and the unit will be set to the rec-pause mode.

If there is enough leeway in the shooting time and a particular cut is clearly judged to be no good, recording can be started from that point so that the no-good cut will be deleted.

By cutting down on the time taken for copying onto the work tape, for instance, this function is very effective in achieving economical operation.



INTERVAL REC (intermittent recording) function

This function makes simple interval shooting (intermittent recording) possible. It proves to be particularly effective when shooting programs with a nature theme or art programs.

The INTERVAL REC function is set on the VTR MENU "FUNCTION" screen.

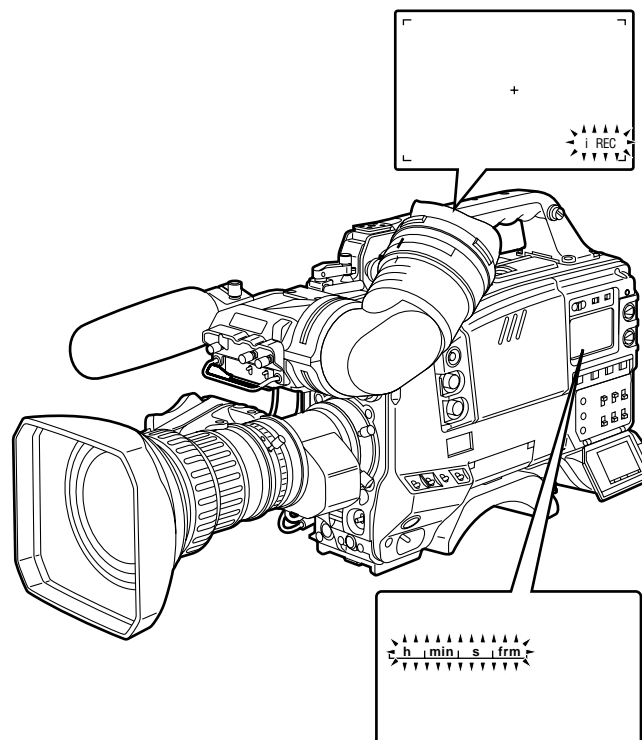
- INTERVAL REC MODE
This sets the INTERVAL REC function to ON or OFF.
- INTERVAL REC TIME
This sets the recording time (1 cut) for interval shooting.
- INTERVAL PAUSE TIME
This sets the rec-pause time for interval shooting.

Once the above items are set, the unit is set to the INTERVAL REC mode, and "i" starts to flash inside the viewfinder.

When the VTR START button is now pressed, interval shooting is started, and "iREC" lights in place of "i." Also, the time unit (h/min/s/frm) display on the counter display area starts to flash.

When the unit is set to rec-pause mode upon completion of the first interval shooting, "iREC" goes from lighted to flashing inside the viewfinder.

The time unit display on the counter display area remains flashing.



Menu operations

The setting menu operations are performed using the MENU button and JOG dial button. The menu configuration is divided into the camera unit's setting menus and VTR unit's setting menus.

It is possible to select the engineer menu which enables all the setting menu items to be set or, alternatively, the user menu which consists of individually tailored menus so that only those menus which will be used most frequently can be set.

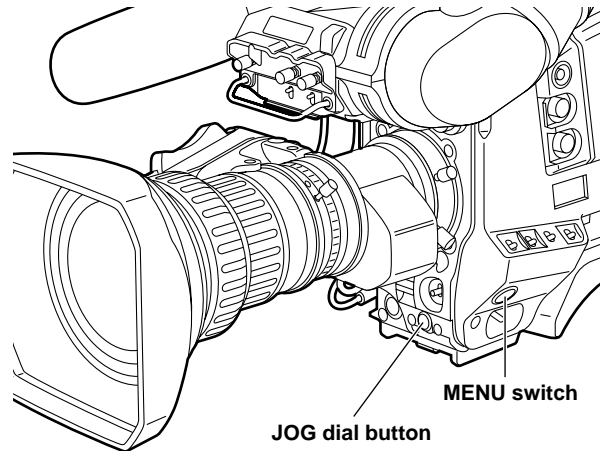
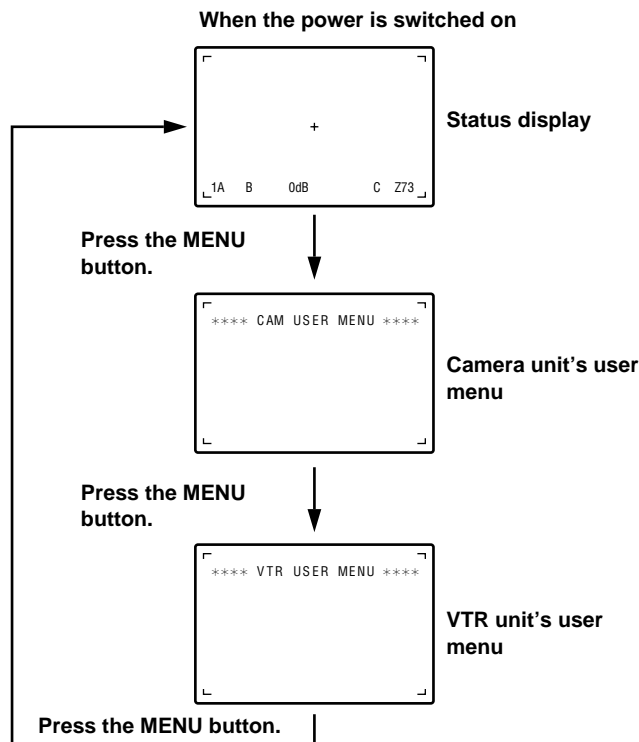
User menu

The user menu was set when the unit was shipped. However, the user can change the configuration of the menus by selecting only those menus which will be used most frequently so that they will be tailored to the user's individual needs.

Set the user menu on the USER MENU SELECT screen of the engineer menu. The data settings are saved in the non-volatile memory for long-term storage.

Display method

- When the MENU button is pressed, the camera unit's USER menu screen which was set at the time of shipment is displayed.
- When the MENU button is pressed again, the VTR unit's USER menu screen is displayed.
- When the MENU button is pressed once more, the menu screen display is cleared.



Engineer menu

All the setting menu items can be set on this menu. The data settings are saved in the non-volatile memory for long-term storage.

Display method

- Hold down the MENU button for at least 3 seconds.
- When the MENU button is pressed again, the VTR unit's MAIN MENU screen is displayed.
- When the MENU button is pressed once more, the menu screen display is cleared.

<Note>

The engineer menu is displayed at all times when the AJ-EC3 extension control unit (optional accessory) is connected to the unit for operating the unit by remote control.

Menu operations

Basic setting menu operations

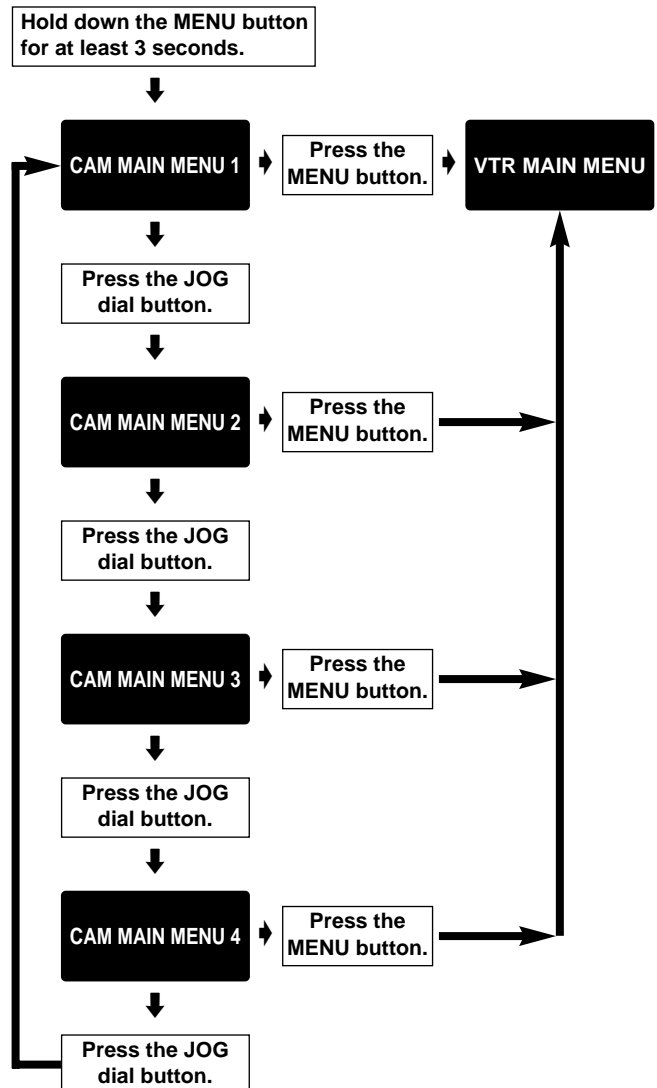
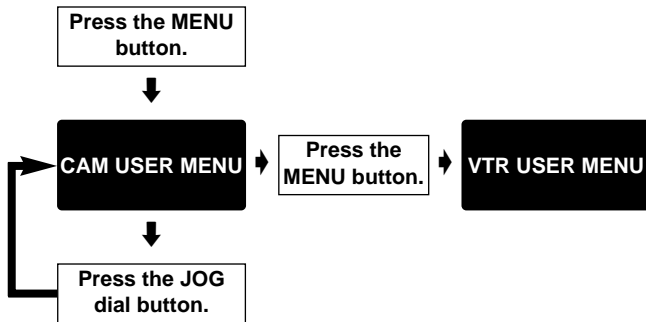
Displaying menus

User menu:

- 1 Press the MENU button.
The camera unit's USER menu screen is displayed.
- 2 When the MENU button is pressed again, the VTR unit's USER menu screen is displayed.

Engineer menu

- 1 Hold down the MENU button for at least 3 seconds.
- 2 When the JOG dial button is pressed, the next MAIN menu screen (of the camera unit) is displayed.
- 3 When the MENU button is pressed, the VTR unit's MAIN MENU screen is displayed.



Menu operations

Displaying sub-menus and deciding on settings

Operations common to the user menu and engineer menu

1 Turn the JOG dial button while the USER menu screen or MAIN menu screen is displayed. The cursor (→) moves to the SUB menu item.

Example:

Turn the JOG dial button. →

```

→*** CAM MAIN MENU1 ***
ROP
MATRIX
COLOR CORRECTION1
COLOR CORRECTION2
LOW SETTING
MID SETTING
HIGH SETTING
ADDITIONAL DTL1
ADDITIONAL DTL2
SKIN TONE DTL
KNEE/LEVEL
GAMMA
CAMERA SETTING
    
```

2 Move the cursor (→) to the desired SUB menu item, and press the JOG dial button. The SUB menu is now displayed. (The cursor appears in the title part of the SUB menu.)

Example:

Press the JOG dial button. →

```

*** CAM MAIN MENU1 ***
→ ROP
MATRIX
COLOR CORRECTION1
COLOR CORRECTION2
LOW SETTING
MID SETTING
HIGH SETTING
ADDITIONAL DTL1
ADDITIONAL DTL2
SKIN TONE DTL
KNEE/LEVEL
GAMMA
CAMERA SETTING
    
```

```

→< ROP >
MASTER PED      : +008
MASTER DTL      : +00
MASTER GAMMA    : 0.45
R GAIN           : +000
G GAIN           : +000
B GAIN           : +000
R PEDESTAL      : +000
G PEDESTAL      : +000
B PEDESTAL      : +000
    
```

3 Turn the JOG dial button to move the cursor to the desired item to be set, and press the JOG dial button.

The digit whose value is to be set now flashes.

Example:

Press the JOG dial button. →

```

< ROP >
→ MASTER PED      : +008
MASTER DTL      : +00
MASTER GAMMA    : 0.45
R GAIN           : +000
G GAIN           : +000
B GAIN           : +000
R PEDESTAL      : +000
G PEDESTAL      : +000
B PEDESTAL      : +000
    
```

4 Turn the JOG dial button to change the setting.

5 When the desired setting is reached, press the JOG dial button.

The setting is now entered.

6 When other items are to be set, turn the JOG dial button to move the cursor, and change and enter the settings by repeating steps 3 to 5.

7 To move to another SUB menu, turn the JOG dial button to move the cursor to the title part of the SUB menu, and press the JOG dial button.

The USER menu screen or MAIN menu screen is now displayed so proceed with operation by following the same steps.

Example:

Press the JOG dial button. →

```

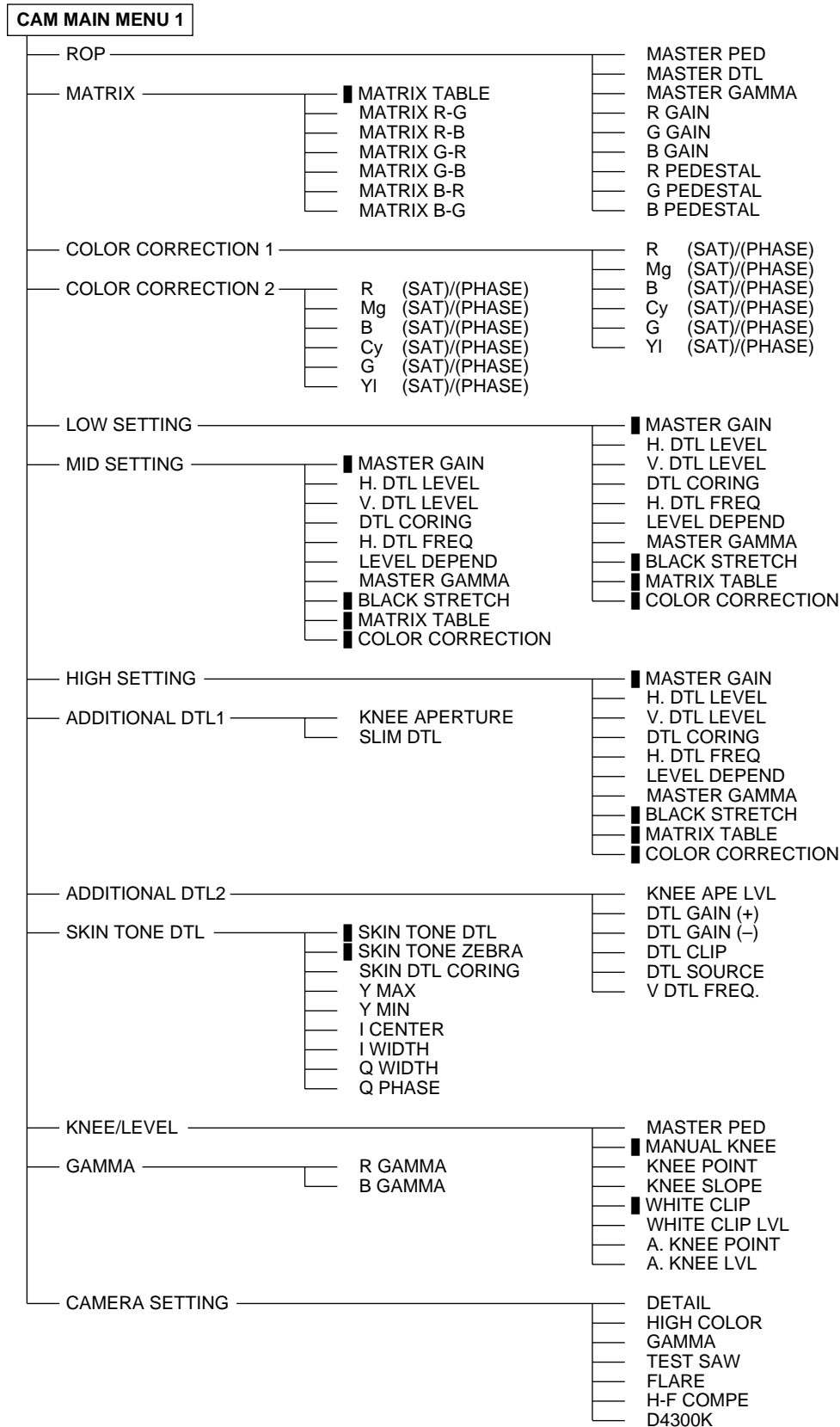
→< ROP >
MASTER PED      : +008
MASTER DTL      : +00
MASTER GAMMA    : 0.45
R GAIN           : +000
G GAIN           : +000
B GAIN           : +000
R PEDESTAL      : +000
G PEDESTAL      : +000
B PEDESTAL      : +000
    
```

8 Upon completion of the settings, press the MENU button. The settings are now recorded, the setting menu mode is exited, and the normal operation mode is restored.

<Note>

To exit the camera unit's menu, press the MENU button twice. When the MENU button is pressed once, operation is transferred to the VTR unit's menu.

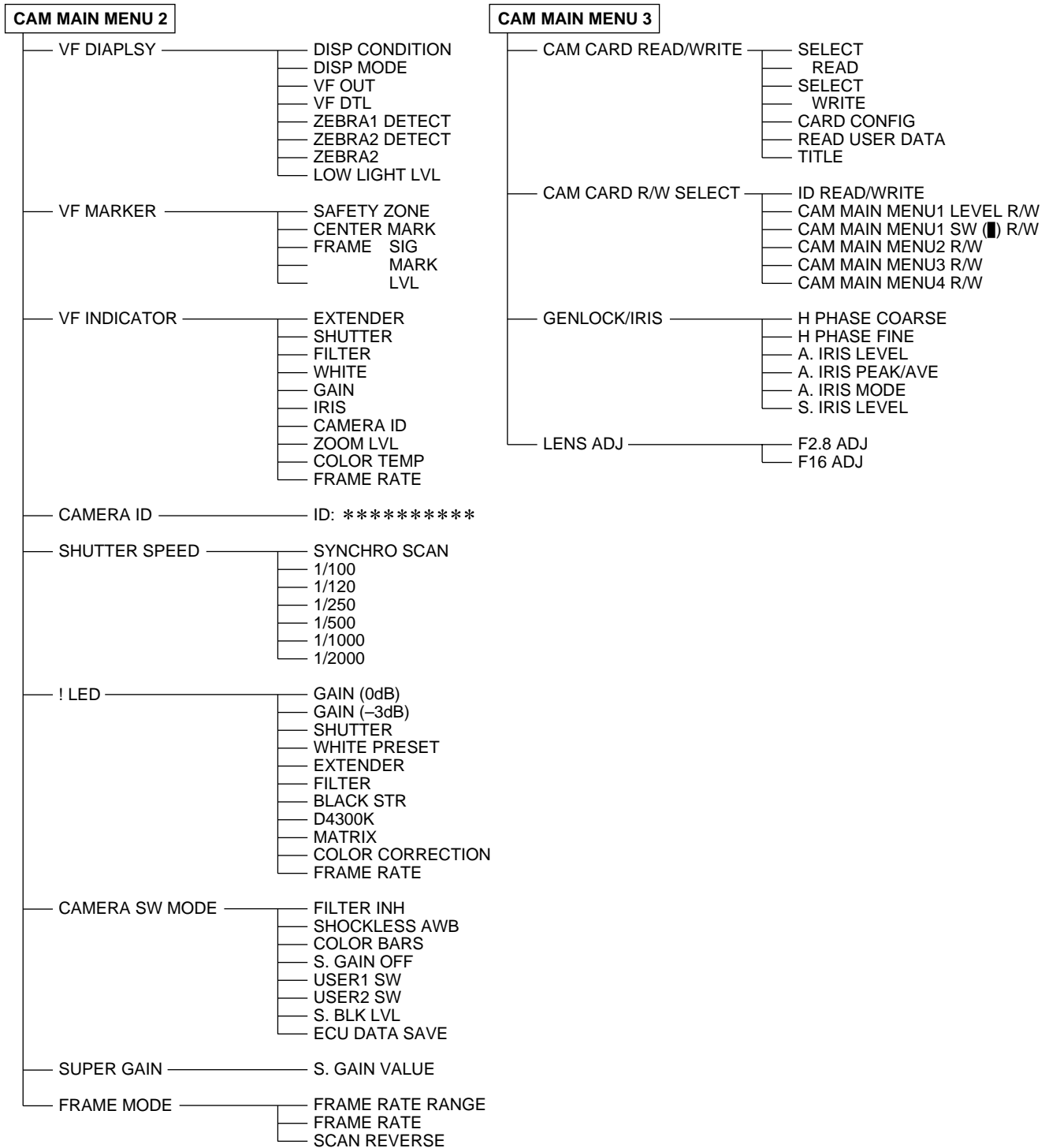
Setting menu configuration



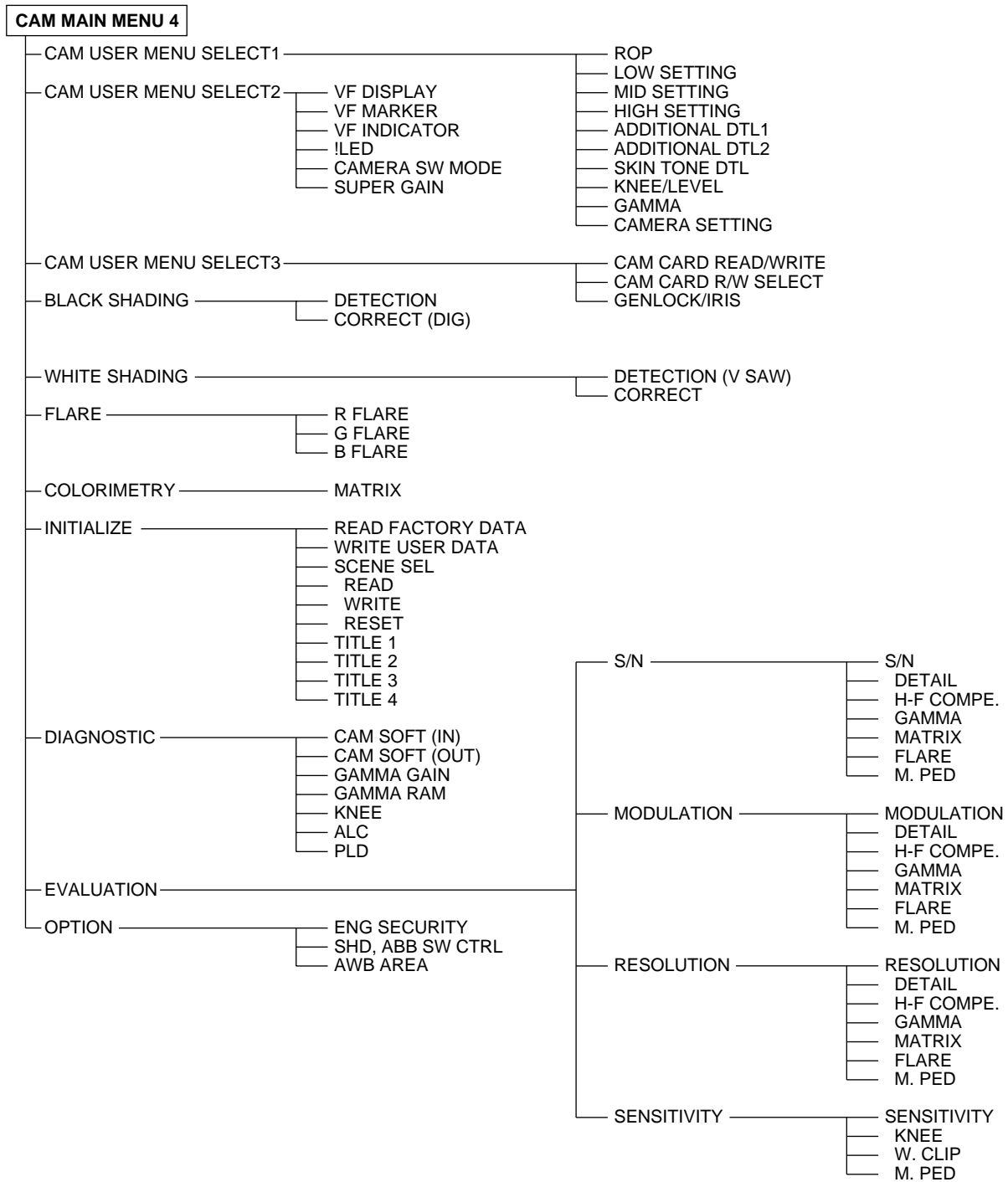
<Note>

Items indicated with are items whose settings can only be switched ON and OFF.

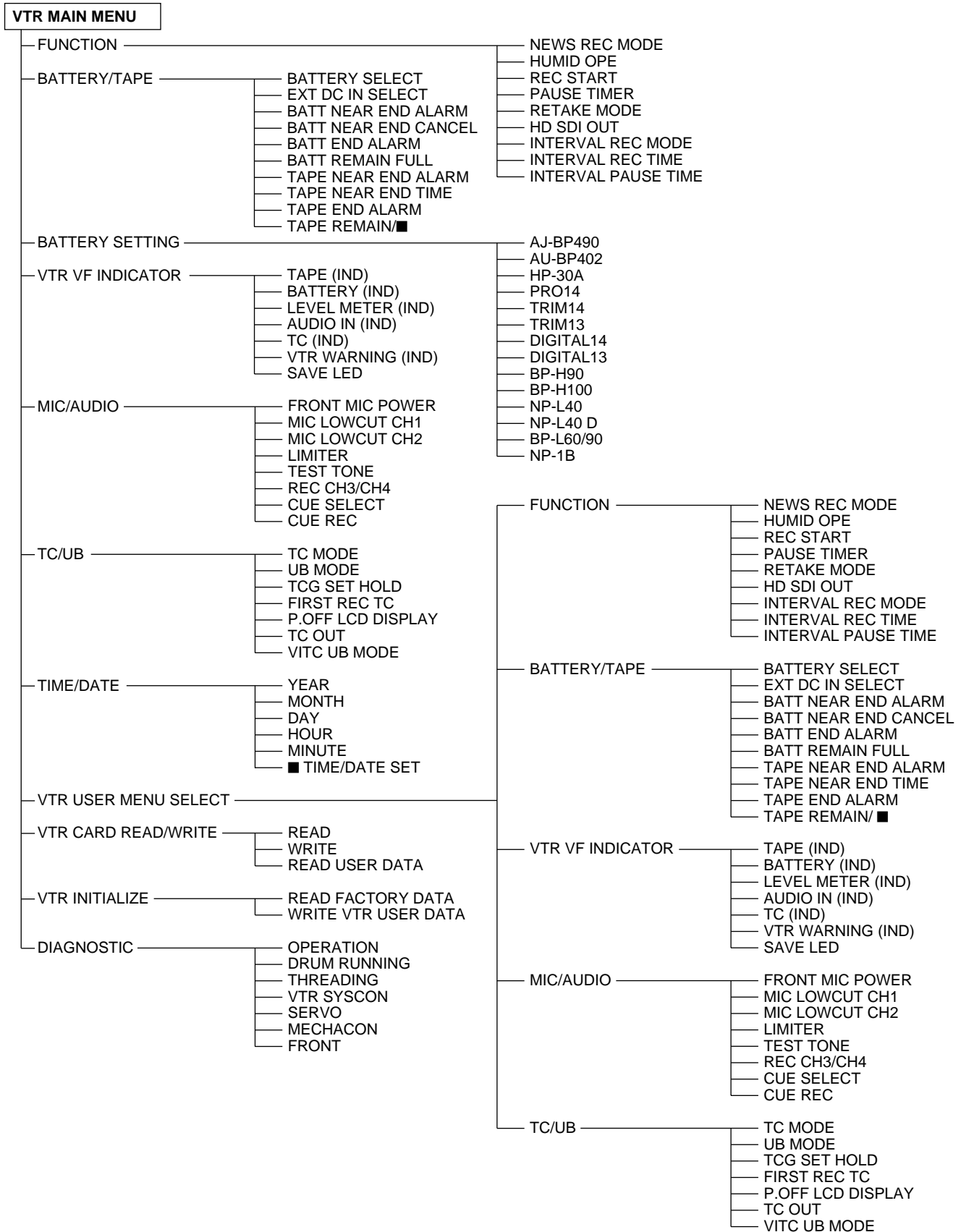
Setting menu configuration



Setting menu configuration



Setting menu configuration



Setting menu screens (CAM MENU)

The main menu consists of CAM MAIN MENU (1 to 4) of the camera and the VTR MAIN MENU of the VTR. These screens are index screens which are used to open the sub-menus. The setting menu is operated with the MENU button and JOG dial button. (Refer to pages 72 to 74 for the menu operations.)

CAM MAIN MENU 1 screen

SUB menu	VF display	Remarks
ROP	USER ENG	Index for opening the ROP screen.
MATRIX	USER ENG	Index for opening the MATRIX screen.
COLOR CORRECTION1	USER ENG	Index for opening the COLOR CORRECTION 1 screen.
COLOR CORRECTION2	USER ENG	Index for opening the COLOR CORRECTION 2 screen.
LOW SETTING	USER ENG	Index for opening the LOW SETTING screen.
MID SETTING	USER ENG	Index for opening the MID SETTING screen.
HIGH SETTING	USER ENG	Index for opening the HIGH SETTING screen.
ADDITIONAL DTL1	USER ENG	Index for opening the ADDITIONAL DTL 1 screen.
ADDITIONAL DTL2	USER ENG	Index for opening the ADDITIONAL DTL 2 screen.
SKIN TONE DTL	USER ENG	Index for opening the SKIN TONE DTL screen.
KNEE/LEVEL	USER ENG	Index for opening the KNEE/LEVEL screen.
GAMMA	USER ENG	Index for opening the GAMMA screen.
CAMERA SETTING	USER ENG	Index for opening the CAMERA SETTING screen.

CAM MAIN MENU 2 screen

SUB menu	VF display	Remarks
VF DISPLAY	USER ENG	Index for opening the VF DISPLAY screen.
VF MARKER	USER ENG	Index for opening the VF MARKER screen.
VF INDICATOR	USER ENG	Index for opening the VF INDICATOR screen.
CAMERA ID	ENG	Index for opening the CAMERA ID screen.
SHUTTER SPEED	ENG	Index for opening the SHUTTER SPEED screen.
!LED	USER ENG	Index for opening the !LED screen.
CAMERA SW MODE	USER ENG	Index for opening the CAMERA SW MODE screen.
SUPER GAIN	USER ENG	Index for opening the SUPER GAIN screen.
FRAME MODE	USER ENG	Index for opening the FRAME MODE screen.

CAM MAIN MENU 3 screen

SUB menu	VF display	Remarks
CAM CARD READ/WRITE	USER ENG	Index for opening the CAM CARD READ/WRITE screen.
CAM CARD R/W SELECT	USER ENG	Index for opening the CARD R/W SELECT screen.
GENLOCK/IRIS	USER ENG	Index for opening the GENLOCK/IRIS screen.
LENS ADJ	USER ENG	Index for opening the LENS ADJ screen.

CAM MAIN MENU 4 screen

SUB menu	VF display	Remarks
CAM USER MENU SELECT1	USER ENG	Index for opening the CAM USER MENU SELECT 1 screen.
CAM USER MENU SELECT2	USER ENG	Index for opening the CAM USER MENU SELECT 2 screen.
CAM USER MENU SELECT3	USER ENG	Index for opening the CAM USER MENU SELECT 3 screen.
BLACK SHADING	USER ENG	Index for opening the BLACK SHADING screen.
WHITE SHADING	USER ENG	Index for opening the WHITE SHADING screen.
FLARE	USER ENG	Index for opening the FLARE screen.
COLORIMETRY	USER ENG	Index for opening the COLORIMETRY screen.
INITIALIZE	USER ENG	Index for opening the INITIALIZE screen.
DIAGNOSTIC	USER ENG	Index for opening the DIAGNOSTIC screen.
EVALUATION	USER ENG	Index for opening the EVALUATION screen.
OPTION	USER ENG	Index for opening the OPTION screen.

Setting menu screens (CAM MAIN MENU 1)

ROP screen

The ROP (Remote Operation Panel) is set on this screen.

Item	Variable range	VF display	Remarks
MASTER PED	-200 : <u>+18</u> : +200 (Max.)	USER ENG	MASTER PEDESTAL level setting.
MASTER DTL	-31 : <u>+00</u> : +31	USER ENG	H. DTL/V. DTL level setting.
MASTER GAMMA	0.35 : <u>0.45</u> : 0.75	USER ENG	MASTER GAMMA setting. (0.01 step) Three different values can be stored for LOW, MID and HIGH in the memory.
R GAIN	-200 : <u>+000</u> : +200 (Max.)	USER ENG	For setting R channel gain.
G GAIN	-200 : <u>+000</u> : +200 (Max.)	USER ENG	For setting G channel gain.
B GAIN	-200 : <u>+000</u> : +200 (Max.)	USER ENG	For setting B channel gain.
R PEDESTAL	-100 : <u>+000</u> : +100 (Max.)	USER ENG	For setting R channel PEDESTAL level.
G PEDESTAL	-100 : <u>+000</u> : +100 (Max.)	USER ENG	For setting G channel PEDESTAL level.
B PEDESTAL	-100 : <u>+000</u> : +100 (Max.)	USER ENG	For setting B channel PEDESTAL level.

MATRIX screen

The camera matrix is set on this screen.

Item	Variable range	VF display	Remarks
MATRIX TABLE	A B	USER ENG	For selecting the color adjustment display.
MATRIX R-G	-31 : <u>+00</u> : +31	USER ENG	Color adjustment
MATRIX R-B	-31 : <u>+00</u> : +31	USER ENG	Color adjustment
MATRIX G-R	-31 : <u>+00</u> : +31	USER ENG	Color adjustment
MATRIX G-B	-31 : <u>+00</u> : +31	USER ENG	Color adjustment
MATRIX B-R	-31 : <u>+00</u> : +31	USER ENG	Color adjustment
MATRIX B-G	-31 : <u>+00</u> : +31	USER ENG	Color adjustment

<Notes>

- The white balance and black balance will not change even if the MATRIX is changed.
- Two tables, A and B, can be stored in the memory for the MATRIX TABLE item.
- "00" applies for all the preset modes in MATRIX TABLE B.

The underlining in the variable range column indicates the setting in the preset mode.

Setting menu screens (CAM MAIN MENU 1)

COLOR CORRECTION 1 screen

The camera color saturation adjustments and hue adjustments are set on this screen.

Item	Variable range	VF display	Remarks
R (SAT) R (PHASE)	-63 : <u>+00</u> : +63	USER ENG	Color saturation adjustment and hue adjustment: red
Mg (SAT) Mg (PHASE)	-63 : <u>+00</u> : +63	USER ENG	Color saturation adjustment and hue adjustment: magenta
B (SAT) B (PHASE)	-63 : <u>+00</u> : +63	USER ENG	Color saturation adjustment and hue adjustment: blue
Cy (SAT) Cy (PHASE)	-63 : <u>+00</u> : +63	USER ENG	Color saturation adjustment and hue adjustment: cyan
G (SAT) G (PHASE)	-63 : <u>+00</u> : +63	USER ENG	Color saturation adjustment and hue adjustment: green
YI (SAT) YI (PHASE)	-63 : <u>+00</u> : +63	USER ENG	Color saturation adjustment and hue adjustment: yellow

COLOR CORRECTION 2 screen

The camera color saturation adjustments and hue adjustments are set on this screen.

Item	Variable range	VF display	Remarks
R-Mg (SAT) R-Mg (PHASE)	-63 : <u>+00</u> : +63	USER ENG	Color saturation adjustment and hue adjustment: between red and magenta
Mg-B (SAT) Mg-B (PHASE)	-63 : <u>+00</u> : +63	USER ENG	Color saturation adjustment and hue adjustment: between magenta and blue
B-Cy (SAT) B-Cy (PHASE)	-63 : <u>+00</u> : +63	USER ENG	Color saturation adjustment and hue adjustment: between blue and cyan
Cy-G (SAT) Cy-G (PHASE)	-63 : <u>+00</u> : +63	USER ENG	Color saturation adjustment and hue adjustment: between cyan and green
G-YI (SAT) G-YI (PHASE)	-63 : <u>+00</u> : +63	USER ENG	Color saturation adjustment and hue adjustment: between green and yellow
YI-R (SAT) YI-R (PHASE)	-63 : <u>+00</u> : +63	USER ENG	Color saturation adjustment and hue adjustment: between yellow and red

The underlining in the variable range column indicates the setting in the preset mode.

Setting menu screens (CAM MAIN MENU 1)

LOW SETTING screen

The low level gain is set on this screen.

Item	Variable range	VF display	Remarks
MASTER GAIN	-6dB : <u>0dB</u> : 30dB	USER ENG	-6dB, -3 dB, 0 dB, 3 dB, 6 dB, 9 dB, 12 dB, 18 dB, 24 dB or 30 dB can be set.
H. DTL LEVEL	0 : <u>12</u> : 63	USER ENG	For setting H.DTL (detail) level.
V. DTL LEVEL	0 : <u>16</u> : 63	USER ENG	For setting V.DTL (detail) level.
DTL CORING	0 : <u>2</u> : 15	USER ENG	For setting DTL coring.
H. DTL FREQ	0 : <u>22</u> : 29	USER ENG	For selecting H.DTL FREQUENCY.
LEVEL DEPEND	0 : <u>2</u> : 5	USER ENG	For setting LEVEL DEPEND. The detail of only the dark areas is removed when the Y detail is boosted. The higher the figure set for this item, the broader the range of the detail which is removed.
MASTER GAMMA	0.35 : <u>0.45</u> : 0.75	USER ENG	Master gamma setting. (0.01 step)
BLACK STRETCH	ON <u>OFF</u>	USER ENG	For setting the mode to compensate for low-brightness black stretch to ON or OFF.
MATRIX TABLE	A B <u>OFF</u>	USER ENG	For selecting the color correction matrix table.
COLOR CORRECTION	ON <u>OFF</u>	USER ENG	For setting the 12-axis independent color correction to ON or OFF.

MID SETTING screen

The middle level gain is set on this screen.

Item	Variable range	VF display	Remarks
MASTER GAIN	-6dB : <u>6dB</u> : 30dB	USER ENG	-6dB, -3 dB, 0 dB, 3 dB, 6 dB, 9 dB, 12 dB, 18 dB, 24 dB or 30 dB can be set.
H. DTL LEVEL	0 : <u>12</u> : 63	USER ENG	For setting H.DTL (detail) level.
V. DTL LEVEL	0 : <u>16</u> : 63	USER ENG	For setting V.DTL (detail) level.
DTL CORING	0 : <u>2</u> : 15	USER ENG	For setting DTL coring.
H. DTL FREQ	0 : <u>22</u> : 29	USER ENG	For selecting H.DTL FREQUENCY.
LEVEL DEPEND	0 : <u>2</u> : 5	USER ENG	For setting LEVEL DEPEND. The detail of only the dark areas is removed when the Y detail is boosted. The higher the figure set for this item, the broader the range of the detail which is removed.
MASTER GAMMA	0.35 : <u>0.45</u> : 0.75	USER ENG	Master gamma setting. (0.01 step)
BLACK STRETCH	ON <u>OFF</u>	USER ENG	For setting the mode to compensate for low-brightness black stretch to ON or OFF.
MATRIX TABLE	A B <u>OFF</u>	USER ENG	For selecting the color correction matrix table.
COLOR CORRECTION	ON <u>OFF</u>	USER ENG	For setting the 12-axis independent color correction to ON or OFF.

The underlining in the variable range column indicates the setting in the preset mode.

Setting menu screens (CAM MAIN MENU 1)

HIGH SETTING screen

The high level gain is set on this screen.

Item	Variable range	VF display	Remarks
MASTER GAIN	-6dB : <u>12dB</u> : 30dB	USER ENG	-6dB, -3 dB, 0 dB, 3 dB, 6 dB, 9 dB, 12 dB, 18 dB, 24 dB or 30 dB can be set.
H. DTL LEVEL	0 : <u>12</u> : 63	USER ENG	For setting H.DTL (detail) level.
V. DTL LEVEL	0 : <u>16</u> : 63	USER ENG	For setting V.DTL (detail) level.
DTL CORING	0 : <u>5</u> : 15	USER ENG	For setting DTL coring.
H. DTL FREQ	0 : <u>22</u> : 29	USER ENG	For selecting H.DTL FREQUENCY.
LEVEL DEPEND	0 : <u>5</u>	USER ENG	For setting LEVEL DEPEND. The detail of only the dark areas is removed when the Y detail is boosted. The higher the figure set for this item, the broader the range of the detail which is removed.
MASTER GAMMA	0.35 : <u>0.45</u> : 0.75	USER ENG	Master gamma setting. (0.01 step)
BLACK STRETCH	ON <u>OFF</u>	USER ENG	For setting the mode to compensate for low-brightness black stretch to ON or OFF.
MATRIX TABLE	A B <u>OFF</u>	USER ENG	For selecting the color correction matrix table.
COLOR CORRECTION	ON <u>OFF</u>	USER ENG	For setting the 12-axis independent color correction to ON or OFF.

ADDITIONAL DTL 1 screen

The special detail features of the camera are set on this screen.

Item	Variable range	VF display	Remarks
KNEE APERTURE	<u>ON</u> OFF	USER ENG	For setting the knee aperture to ON or OFF. At the "ON" setting, the detail above the knee point is boosted.
SLIM DTL	ON <u>OFF</u>	USER ENG	For setting the mode to make the detail finer to ON or OFF.

ADDITIONAL DTL2 screen

The special detail features of the camera are set on this screen.

Item	Variable range	VF display	Remarks
KNEE APA LVL	0 <u>5</u>	USER ENG	For changing the detail level in the high-brightness areas.
DTL GAIN (+)	-31 : <u>+00</u> : +31	USER ENG	For changing the H detail level in the "+" direction.
DTL GAIN (-)	-31 : <u>+00</u> : +31	USER ENG	For changing the H detail level in the "-" (bottom) direction.
DTL CLIP	00 : <u>47</u> : 63	USER ENG	For changing the clipping level of the detail signal.
DTL SOURCE	(G+B)/2 (R+G)/2 (2G+R+B)/4 (3G+R)/4 R G	USER ENG	For setting the ratio between the RGB signal components which generate the detail signal.
V DTL FREQ.	360TV 450TV 540TV <u>630TV</u> 720TV	USER ENG	For setting the V. DTL FREQUENCY.

The underlining in the variable range column indicates the setting in the preset mode.

Setting menu screens (CAM MAIN MENU 1)

SKIN TONE DTL screen

The skin tone detail of the camera is set on this screen.

Item	Variable range	VF display	Remarks
SKIN TONE DTL	ON <u>OFF</u>	USER ENG	For setting the skin tone detail to ON or OFF.
SKIN TONE ZEBRA	ON <u>OFF</u>	USER ENG	For setting zebra in the skin tone range to ON or OFF. At the "ON" setting, the amount of detail in the zebra viewing range is varied.
SKIN DTL CORING	0 : <u>5</u> : 7	USER ENG	For setting the detail coring.
Y MAX	0 : <u>190</u> : 255	USER ENG	For setting the maximum luminance level at which the detail is boosted.
Y MIN	0 : <u>10</u> : 255	USER ENG	For setting the minimum luminance level at which the detail is boosted.
I CENTER	0 : <u>55</u> : 255	USER ENG	For setting the medium I-axis level at which the detail is boosted.
I WIDTH	0 : <u>90</u> : 255	USER ENG	For setting the minimum I-axis level at which the detail is boosted.
Q WIDTH	0 : <u>10</u> : 255	USER ENG	For setting the maximum Q-axis level at which the detail is boosted.
Q PHASE	0 : <u>255</u>	USER ENG	For setting the minimum Q-axis level at which the detail is boosted.

KNEE/LEVEL screen

The knee settings of the camera are performed on this screen.

Item	Variable range	VF display	Remarks
MASTER PED	-200 : <u>+018</u> : +200	USER ENG	For setting the master pedestal level (MASTER PED).
MANUAL KNEE	ON <u>OFF</u>	USER ENG	For setting the mode when the AUTO KNEE switch is at OFF.
KNEE POINT	80% : <u>95%</u> : 107%	USER ENG	For setting the manual knee point position.
KNEE SLOPE	0 : <u>50</u> : 99	USER ENG	For setting the manual knee slope.
WHITE CLIP	ON <u>OFF</u>	USER ENG	For setting white clipping to ON or OFF.
WHITE CLIP LVL	90% : <u>109%</u>	USER ENG	For setting the white clipping level.
A. KNEE POINT	80% : <u>95%</u> : 107%	USER ENG	For setting the auto knee point position.
A. KNEE LVL	100 : <u>108</u> : 110	USER ENG	For setting the maximum auto knee level.

The underlining in the variable range column indicates the setting in the preset mode.

Setting menu screens (CAM MAIN MENU 1)

GAMMA screen

The gamma settings of the camera are performed on this screen.

Item	Variable range	VF display	Remarks
R GAMMA	-15 : <u>+0</u> : +15	USER ENG	Amount by which the R channel gamma is corrected in respect of the master gamma level.
B GAMMA	-15 : <u>+0</u> : +15	USER ENG	Amount by which the B channel gamma is corrected in respect of the master gamma level.

CAMERA SETTING screen

The basic settings of the camera are set to ON or OFF on this screen.

Item	Variable range	VF display	Remarks
DETAIL	<u>ON</u> OFF	USER ENG	For setting the detail (H, V) to ON or OFF. (Both the H detail and V detail are simultaneously set to either ON or OFF.)
HIGH COLOR	<u>ON</u> OFF	USER ENG	For setting the mode for expanding the dynamic range of the colors to ON or OFF. At the ON setting, the colors above the knee point are boosted.
GAMMA	<u>ON</u> OFF	USER ENG	For setting the gamma correction to ON or OFF.
TEST SAW	<u>ON</u> OFF	USER ENG	For setting the test signal to ON or OFF.
FLARE	<u>ON</u> OFF	USER ENG	For setting the flare compensation to ON or OFF.
H-F COMPE	<u>ON</u> OFF	USER ENG	For setting the high-range frequency compensation mode to ON or OFF.
D4300 K	<u>ON</u> OFF	USER ENG	For setting the 4300 K presetting for the white balance to ON or OFF. <Note> The black balance must always be adjusted (see page 51) when this item's setting has been changed.

The underlining in the variable range column indicates the setting in the preset mode.

Setting menu screens (CAM MAIN MENU 2)

VF DISPLAY screen

The information to be displayed inside the viewfinder is set on this screen.

Item	Variable range	VF display	Remarks																																			
DISP CONDITION	<u>NORMAL</u> HOLD	USER ENG	NORMAL: The statuses are displayed at all times. HOLD: The statuses are displayed when MODE CHECK SW is ON.																																			
DISP MODE	1 2 <u>3</u>	USER ENG	<table border="1"> <thead> <tr> <th rowspan="2">Change</th> <th colspan="3">Display</th> </tr> <tr> <th>1</th> <th>2</th> <th>3</th> </tr> </thead> <tbody> <tr> <td>FILTER</td> <td>×</td> <td>×</td> <td>○</td> </tr> <tr> <td>GAIN</td> <td>×</td> <td>×</td> <td>○</td> </tr> <tr> <td>AWB</td> <td>×</td> <td>×</td> <td>○</td> </tr> <tr> <td>AUTO KNEE SW</td> <td>×</td> <td>○</td> <td>○</td> </tr> <tr> <td>SHUTTER</td> <td>×</td> <td>○</td> <td>○</td> </tr> <tr> <td>ABB STATUS</td> <td>×</td> <td>○</td> <td>○</td> </tr> <tr> <td>AWB STATUS</td> <td>×</td> <td>○</td> <td>○</td> </tr> </tbody> </table>	Change	Display			1	2	3	FILTER	×	×	○	GAIN	×	×	○	AWB	×	×	○	AUTO KNEE SW	×	○	○	SHUTTER	×	○	○	ABB STATUS	×	○	○	AWB STATUS	×	○	○
Change	Display																																					
	1	2	3																																			
FILTER	×	×	○																																			
GAIN	×	×	○																																			
AWB	×	×	○																																			
AUTO KNEE SW	×	○	○																																			
SHUTTER	×	○	○																																			
ABB STATUS	×	○	○																																			
AWB STATUS	×	○	○																																			
VF OUT	<u>Y</u> NAM R G B	USER ENG	For selecting VF OUT. NAM (N Additive Mix): The signal with the highest level among the R, G and B signals is output.																																			
VF DTL	0 : <u>4</u>	USER ENG	For selecting VF DTL. The detail of the signals for VF is further boosted. At the "0" setting, the detail is the same as the unit's.																																			
ZEBRA1 DETECT	50% : <u>70%</u> : 110%	USER ENG	For setting the ZEBRA1 detection level (IRE level).																																			
ZEBRA2 DETECT	50% : <u>85%</u> : 110%	USER ENG	For setting the ZEBRA2 detection level (IRE level).																																			
ZEBRA2	ON OFF <u>SPOT</u>	USER ENG	For setting ZEBRA2 to ON or OFF and selecting SPOT. <Note> When used at the "SPOT" setting, ensure that the ZEBRA2 DETECT value is set higher than the ZEBRA1 DETECT value. If the ZEBRA2 DETECT value is lower than the ZEBRA1 DETECT value, the ZEBRA display will not appear.																																			

Item	Variable range	VF display	Remarks
LOW LIGHT LVL	OFF 20% 25% : 40% <u>45%</u>	USER ENG	For selecting the light level for the LOW LIGHT display when the amount of light entering the camera is too low.

VF MARKER screen

The information to be displayed inside the viewfinder is set on this screen.

Item	Variable range	VF display	Remarks
SAFETY ZONE	OFF : <u>3</u> : 12	USER ENG	For selecting the safety zone display. 1 : 80% and 90% corner display 2 : 80% corner display 3 : 90% corner display 4 : 80% and 90% box display 5 : 80% box display 6 : 90% box display 7 : 80% and 90% corner display in 4:3 mode 8 : 80% corner display in 4:3 mode 9 : 90% corner display in 4:3 mode 10 : 80% and 90% box display in 4:3 mode 11 : 80% box display in 4:3 mode 12 : 90% box display in 4:3 mode
CENTER MARK	<u>ON</u> OFF	USER ENG	For setting the center marker display to ON or OFF.
FRAME SIG	<u>4:3</u> 13:9 14:9	USER ENG	For selecting the frame marker display.
MARK	ON <u>OFF</u>	USER ENG	For setting the frame marker display to ON or OFF.
LVL	0 : <u>15</u>	USER ENG	For setting the picture levels on the outside of the frame marker.

The underlining in the variable range column indicates the setting in the preset mode.

Setting menu screens (CAM MAIN MENU 2)

VF INDICATOR screen

The information to be displayed inside the viewfinder is set on this screen.

Item	Variable range	VF display	Remarks
EXTENDER	ON OFF	USER ENG	For setting the extender display to ON or OFF.
SHUTTER	ON OFF	USER ENG	For setting the shutter speed display to ON or OFF.
FILTER	ON OFF	USER ENG	For setting the filter No. display to ON or OFF.
WHITE	ON OFF	USER ENG	For setting the AWB PRE/A/B display to ON or OFF.
GAIN	ON OFF	USER ENG	For setting the currently selected gain display to ON or OFF.
IRIS	IRIS <u>S+IRIS</u> OFF	USER ENG	IRIS : Only the aperture value is displayed. S+IRIS : Both the super iris ON status and the aperture value are displayed. OFF : Neither the super iris ON status nor the aperture value is displayed.
CAMERA ID	ON OFF	USER ENG	For setting the ID display during color bar displaying.
ZOOM LVL	ON OFF	USER ENG	For setting the zoom position value display to ON or OFF.
COLOR TEMP	ON OFF	USER ENG	For setting the color temperature display to ON or OFF.
FRAME RATE	ON OFF	USER ENG	For setting the frame rate display to ON or OFF.

CAMERA ID screen

The camera ID is set on this screen.

Item	Variable range	VF display	Remarks
ID: ***** *****	—	ENG	For inputting the camera ID (max. 10 characters). <Note> Select whether this setting is to be mixed by selecting ON or OFF for CAMERA ID on the VF DISPLAY screen.

1. Turn the JOG dial button to move the cursor to the ID position.
2. When the JOG dial button is pressed, the cursor starts flashing.
3. Turn the JOG dial button to select the character.
Turn the JOG dial button until the character to be set appears.
When the button is turned, the character displayed is switched in the following sequence:
Space:
↓
letters: A—Z
↓
numbers: 0—9
↓
symbols: ', >, <, /, —
4. Press the JOG dial button to enter the character.
5. Turn the JOG dial button to move the cursor to the next character position (right).
6. When the JOG dial button is pressed, the cursor starts flashing.
7. Turn the JOG dial button to select the character, and press the button to enter it.

The underlining in the variable range column indicates the setting in the preset mode.


Setting menu screens (CAM MAIN MENU 2)






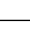
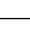




SHUTTER SPEED screen

The shutter speed is set on this screen.

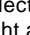
Item	Variable range	VF display	Remarks
SYNCHRO SCAN	ON OFF	ENG	For setting the synchro scan shutter speed.
1/100	ON OFF	ENG	For switching the 1/100 shutter speed setting to ON or OFF.
1/120	<u>ON</u> OFF	ENG	For switching the 1/120 shutter speed setting to ON or OFF.
1/250	ON OFF	ENG	For switching the 1/250 shutter speed setting to ON or OFF.
1/500	ON OFF	ENG	For switching the 1/500 shutter speed setting to ON or OFF.
1/1000	<u>ON</u> OFF	ENG	For switching the 1/1000 shutter speed setting to ON or OFF.
1/2000	ON OFF	ENG	For switching the 1/2000 shutter speed setting to ON or OFF.

! LED screen

The display of the  lamp which appears inside the viewfinder is set to ON or OFF on this screen.

Item	Variable range	VF display	Remarks
GAIN (0 dB)	ON OFF	USER ENG	For setting whether the  lamp is to be turned on when the gain level is other than 0 dB.
GAIN (-3 dB)	ON <u>OFF</u>	USER ENG	For setting whether the  lamp is to be turned on when the gain level is other than -3 dB.
SHUTTER	<u>ON</u> OFF	USER ENG	For setting whether the  lamp is to be turned on when the shutter is ON.
WHITE PRESET	ON <u>OFF</u>	USER ENG	For setting whether the  lamp is to be turned on when PRESET is selected as the AWB channel setting.
EXTENDER	ON OFF	USER ENG	For setting whether the  lamp is to be turned on when the lens has been set to the EXTENDER mode.
FILTER	ON <u>OFF</u>	USER ENG	For setting whether the  lamp is to be turned on when a filter other than 3200 K is used.
BLACK STR	ON <u>OFF</u>	USER ENG	For setting whether the  lamp is to be turned on when black stretch has been set to ON.
D4300 K	ON <u>OFF</u>	USER ENG	For setting whether the  lamp is to be turned on when the preset white balance level is 4300 K.
MATRIX	ON <u>OFF</u>	USER ENG	For setting whether the  lamp is to be turned on when matrix has been set to ON.
COLOR CORRECTION	ON <u>OFF</u>	USER ENG	For setting whether the  lamp is to be turned on when color correction has been set to ON.
FRAME RATE	ON OFF	USER ENG	For setting whether the  lamp is to be turned on when the frame rate less than 11 frame/s (10.99 Hz) is used.

<Note>

When ON has been selected for both GAIN (0 dB) and GAIN (-3 dB), the  lamp will light at all gain levels except for -3 dB and 0 dB.

The underlining in the variable range column indicates the setting in the preset mode.

Setting menu screens (CAM MAIN MENU 2)

CAMERA SW MODE screen

The modes of the camera switches are set on this screen.

Item	Variable range	VF display	Remarks
FILTER INH	<u>ON</u> OFF	USER ENG	For selecting whether or not the data in the AWB memories (channel A, channel B) is to be held for each filter. ON: Only the channel A and channel B memories (2 memories) regardless of the filter. OFF: The data is held for each of the filters (4×2 = 8 memories).
SHOCKLESS AWB	<u>OFF</u> NORMAL SLOW FAST	USER ENG	For selecting the SHOCKLESS AWB setting. "SHOCKLESS AWB" means that the switching of the WHITE BAL switch to A, B or PRST is not accompanied by a shock. FAST (high-speed: approx. 0.5 sec.), NORMAL (normal speed: approx. 1 sec.) or SLOW (slow: approx. 3 sec.) can be set for this effect.
COLOR BARS	<u>SMPTE</u> <u>FULL BARS</u>	USER ENG	For selecting the color bar signals. SMPTE: SMPTE color bars FULL BARS: Full color bars
S. GAIN OFF	S.GAIN <u>L/M/H</u>	USER ENG	For selecting the method for releasing the super gain mode. S.GAIN: The mode is released by the super gain switch only. L/M/H: The mode is released by changing the L/M/H switch setting.
USER1 SW	<u>INH</u> S.GAIN S.IRIS S.BLK S.STR AUDIO CH1 AUDIO CH2	USER ENG	For allocating the functions in USER1 SW.

Item	Variable range	VF display	Remarks
USER2 SW	<u>INH</u> S.GAIN S.IRIS S.BLK S.STR AUDIO CH1 AUDIO CH2	USER ENG	For allocating the functions in USER2 SW.
S. BLK LVL	<u>OFF</u> -10 -20 -30	USER ENG	For setting the super black level.
ECU DATA SAVE	<u>ON</u> <u>OFF</u>	USER ENG	ON : The data controlled by the ECU is stored in the memory. OFF : The data is not stored in the memory.

SUPER GAIN screen

The gain allocated to the SUPER GAIN switch is set on this screen.

Item	Variable range	VF display	Remarks
S. GAIN VALUE	<u>18dB</u> 24dB 30dB 36dB	USER ENG	For selecting the gain when the SUPER GAIN switch is pressed.

FRAME MODE screen

The frame rate is set on this screen.

Item	Variable range	VF display	Remarks
FRAME RATE RANGE	<u>60-12</u> 60-4	USER ENG	For selecting the variable range of the frame rate. 60-12: 60 frame/s (59.94 Hz) to 12 frame/s (11.99 Hz) 60-4: 60 frame/s (59.94 Hz) to 4 frame/s (3.99 Hz)
FRAME RATE	<u>60</u> : 24 : 4	USER ENG	For setting the frame rate. <Note> When "60-12" has been selected as the FRAME RATE RANGE setting, the frame rate cannot be set to 11 frames/sec. or below.
SCAN REVERSE	<u>ON</u> <u>OFF</u>	USER ENG	This function is for correcting the images when the prime lens is used. ON: The images are corrected (by reversing their top and bottom and their left and right). OFF: The images are not corrected.

The underlining in the variable range column indicates the setting in the preset mode.

Setting menu screens (CAM MAIN MENU 3)

CAM CARD READ/WRITE screen

The settings for saving (writing) the menu data on the setup card, loading (reading) the data from the card, and configuring the card are performed on this screen.

Item	Variable range	VF display	Remarks
SELECT	<u>1</u> : 8	USER ENG	For selecting the number of the file to be loaded.
READ	—	USER ENG	For loading the data from the setup card.
SELECT	<u>1</u> : 8	USER ENG	For selecting the number of the file to be saved.
WRITE	—	USER ENG	For saving the camera's data on the setup card.
CARD CONFIG	—	USER ENG	For formatting the setup card.
READ USER DATA	—	USER ENG	For loading the user area data of the camera's memory.
TITLE	—	USER ENG	A title consisting of up to 8 characters can be given to each file.

CAM CARD R/W SELECT screen

The settings for saving (recording) specific menu data on the setup card and loading (reading) the data from the card are performed on this screen.

Item	Variable range	VF display	Remarks
ID READ/WRITE	ON <u>OFF</u>	USER ENG	For setting camera ID saving/loading when writing data onto the setup card or loading data from it to ON or OFF. ON : The camera ID is recorded/loaded. OFF : The camera ID is not recorded/loaded. Example: If the CAMERA ID contents are not to be changed when setup card data is saved/loaded, select OFF as the ID READ/WRITE setting.

CAM CARD R/W SELECT screen

Item	Variable range	VF display	Remarks
CAM MAIN MENU1 LEVEL R/W	ON <u>OFF</u>	USER ENG	For setting CAM MAIN MENU 1 (items other than those marked with ■) data saving/loading when writing data onto the setup card or loading data from it to ON or OFF. ON : The data is recorded/loaded. OFF : The data is not recorded/loaded. <Note> See page 75 for information on the items marked with ■.
CAM MAIN MENU1 SW (■) R/W	<u>ON</u> OFF	USER ENG	For setting CAM MAIN MENU 1 (items marked with ■) data saving/loading when writing data onto the setup card or loading data from it to ON or OFF. ON : The data is recorded/loaded. OFF : The data is not recorded/loaded.
CAM MAIN MENU2 R/W	ON <u>OFF</u>	USER ENG	For setting CAM MAIN MENU 2 data saving/loading when writing data onto the setup card or loading data from it to ON or OFF. ON : The data is recorded/loaded. OFF : The data is not recorded/loaded.
CAM MAIN MENU3 R/W	ON <u>OFF</u>	USER ENG	For setting CAM MAIN MENU 3 data saving/loading when writing data onto the setup card or loading data from it to ON or OFF. ON : The data is recorded/loaded. OFF : The data is not recorded/loaded.
CAM MAIN MENU4 R/W	ON <u>OFF</u>	USER ENG	For setting CAM MAIN MENU 4 data saving/loading when writing data onto the setup card or loading data from it to ON or OFF. ON : The data is recorded/loaded. OFF : The data is not recorded/loaded.

The underlining in the variable range column indicates the setting in the preset mode.

Setting menu screens (CAM MAIN MENU 3)

GENLOCK/IRIS screen

The genlock and iris control settings are performed on this screen.

Item	Variable range	VF display	Remarks
H PHASE COARSE	0 : <u>7</u> : 15	USER ENG	For coarsely adjusting the H phase during genlock.
H PHASE FINE	0 : <u>32</u> : 64	USER ENG	For finely adjusting the H phase during genlock.
A. IRIS LEVEL	0 : <u>82</u> : 100	USER ENG	For setting the auto iris target level. The brightness (iris) is controlled using this value. The higher the value selected, the higher the brightness.
A. IRIS PEAK/AVE	0 : <u>16</u> : 100	USER ENG	For setting the ratio between the auto iris peak and average value. The closer the setting is to 0, the greater the tendency toward average control; conversely, the closer the setting is to 100, the greater the tendency toward peak control.
A. IRIS MODE	<u>NORM1</u> NORM2 CENTR	USER ENG	For selecting the auto iris mode. NORM1: The light is measured for the entire screen (except for the edges). NORM2: The light is measured for the entire screen (except for the top part). CENTR: The light is measured in the center area of the screen only.
S. IRIS LEVEL	0 : <u>100</u>	USER ENG	For setting the super iris target level. (Backlight compensation mode)

LENS ADJ screen

The lens adjustments are performed on this screen.

Item	Variable range	VF display	Remarks
F2.8 ADJ	ON <u>OFF</u>	ENG	For outputting the voltage output only when ON is selected as this item's setting.
F16 ADJ	ON <u>OFF</u>	ENG	For outputting the voltage output only when ON is selected as this item's setting.

<Note>

When using a lens which enables the open limit and close limit of the lens aperture to be adjusted, set "F2.8ADJ" or "F16ADJ" to ON, and repeatedly adjust so that the lens aperture will be set to "F2.8" or "F16."

(This adjustment need not be performed if the lens does not have this adjustment function.)

The underlining in the variable range column indicates the setting in the preset mode.

Setting menu screens (CAM MAIN MENU 4)

CAM USER MENU SELECT 1, 2 and 3 screens

The settings for registering the items (the same as the ones on the CAM MAIN MENU 1, 2 and 3 screens) allocated to the SUB menus to the SUB MENU screen are performed on this screen.

Registration ON (✱) or OFF (●) is set at the head of each item.

Up to 42 camera unit items can be registered.

CAM USER MENU SELECT 1 screen

SUB menu	VF display	Remarks
ROP	ENG	Index for opening the ROP screen.
LOW SETTING	ENG	Index for opening the LOW SETTING screen.
MID SETTING	ENG	Index for opening the MID SETTING screen.
HIGH SETTING	ENG	Index for opening the HIGH SETTING screen.
ADDITIONAL DTL1	ENG	Index for opening the ADDITIONAL DTL1 screen.
ADDITIONAL DTL2	ENG	Index for opening the ADDITIONAL DTL2 screen.
SKIN TONE DTL	ENG	Index for opening the SKIN TONE DTL screen.
KNEE/LEVEL	ENG	Index for opening the KNEE/LEVEL screen.
GAMMA	ENG	Index for opening the GAMMA screen.
CAMERA SETTING	ENG	Index for opening the CAMERA SETTING screen.

CAM USER MENU SELECT 2 screen

SUB menu	VF display	Remarks
VF DISPLAY	ENG	Index for opening the VF DISPLAY screen.
VF MARKER	ENG	Index for opening the VF MARKER screen.
VF INDICATOR	ENG	Index for opening the VF INDICATOR screen.
!LED	ENG	Index for opening the !LED screen.
CAMERA SW MODE	ENG	Index for opening the CAMERA SW MODE screen.
SUPER GAIN	ENG	Index for opening the SUPER GAIN screen.
FRAME MODE	ENG	Index for opening the FRAME MODE screen.

CAM USER MENU SELECT 3 screen

SUB menu	VF display	Remarks
CAM CARD READ/WRITE	ENG	Index for opening the CAM CARD READ/WRITE screen.
CAM CARD R/W SELECT	ENG	Index for opening the CARD R/W SELECT screen.
GENLOCK/IRIS	ENG	Index for opening the GENLOCK/IRIS screen.

Setting menu screens (CAM MAIN MENU 4)

BLACK SHADING screen

The black shading adjustments are performed on this screen.

Item	Variable range	VF display	Remarks
DETECTION	—	ENG	For execution of the digital shading compensation.
CORRECT (DIG)	<u>ON</u> OFF	ENG	For setting the digital shading compensation to ON or OFF.

FLARE screen

The camera's flare settings are performed on this screen.

Item	Variable range	VF display	Remarks
R FLARE	0 : 100	ENG	For setting the R channel flare; the preset value differs from one camera to another.
G FLARE	0 : 100	ENG	For setting the G channel flare; the preset value differs from one camera to another.
B FLARE	0 : 100	ENG	For setting the B channel flare; the preset value differs from one camera to another.

WHITE SHADING screen

The white shading adjustments are performed on this screen.

Item	Variable range	VF display	Remarks
DETECTION (V SAW)	—	ENG	For execution of the analog shading compensation.
CORRECT	<u>ON</u> OFF	ENG	For setting the shading compensation to ON or OFF.

COLORIMETRY screen

The luminance signal standard is selected on this screen.

Item	Variable range	VF display	Remarks
MATRIX	<u>SMPTE-274</u> SMPTE-240 NTSC	ENG	For selecting the luminance signal standard.

The underlining in the variable range column indicates the setting in the preset mode.

Setting menu screens (CAM MAIN MENU 4)

INITIALIZE screen

The camera menu settings are initialized and scene files are saved on this screen.

Item	Variable range	VF display	Remarks
READ FACTORY DATA	—	ENG	For restoring the camera menu data settings to the factory settings.
WRITE USER DATA	—	ENG	For saving the user's own camera menu data in the unit's memory.
SCENE SEL	<u>1</u> : 4	ENG	For designating the number of the scene file.
READ	—	ENG	For loading the scene file whose SCENE SEL was designated.
WRITE	—	ENG	For saving data in the scene file whose SCENE SEL was designated.
RESET	—	ENG	For restoring the scene file data settings to the factory settings.
TITLE 1	—	ENG	For setting the title in scene file No.1.
TITLE 2	—	ENG	For setting the title in scene file No.2.
TITLE 3	—	ENG	For setting the title in scene file No.3.
TITLE 4	—	ENG	For setting the title in scene file No.4.

DIAGNOSTIC screen

The usage statuses and software versions are displayed on this screen.

Item	Variable range	VF display	Remarks
CAMSOFT (IN)	—	ENG	For displaying the version of the software for the built-in flash memory.
CAMSOFT (OUT)	—	ENG	For displaying the version of the software for the external flash memory.
GAMMA GAIN	—	ENG	For displaying the version of the gamma table.
GAMMA RAM	—	ENG	For displaying the version of the black gamma table.
KNEE	—	ENG	For displaying the version of the knee table.
ALC	—	ENG	For displaying the version of the auto luminance control.
PLD	—	ENG	For displaying the version of the software for PLD.

The underlining in the variable range column indicates the setting in the preset mode.

EVALUATION screen

The items which are measured for evaluation purposes are set on this screen.

(S/N, MODULATION, RESOLUTION, SENSITIVITY)

SUB menu	VF display	Remarks
S/N	ENG	Index for opening the S/N measurement screen.
MODULATION	ENG	Index for opening the modulation measurement screen.
RESOLUTION	ENG	Index for opening the resolution measurement screen.
SENSITIVITY	ENG	Index for opening the sensitivity measurement screen.

OPTION screen

The engineer menu display is selected on this screen.

Item	Variable range	VF display	Remarks
ENG SECURITY	<u>ON</u> <u>OFF</u>	ENG	For selecting whether to display the engineer menu. ON : The engineer menu is not displayed. OFF : The engineer menu is displayed.
SHD, ABB SW CTRL	<u>ON</u> <u>OFF</u>	ENG	For selecting whether to automatically correct black shading when the AUTO W/B BAL switch is pressed continuously for 8 seconds or more on the ABB side. ON : Black shading is corrected automatically. OFF : Black shading is not corrected automatically.
AWB AREA	<u>90%</u> <u>50%</u>	ENG	This selects the white balance search area.

<Note>

For details on how to release ENG SECURITY, consult your nearest service center.

Setting menu screens (CAM MAIN MENU 4)

EVALUATION screen

● S/N measurement screen

The S/N measurements are performed on this screen.

Item	Variable range	VF display	Remarks
S/N	ON	ENG	For setting the S/N measurement.
DETAIL	ON <u>OFF</u>	ENG	For setting the DETAIL to ON or OFF.
H-F COMPE.	ON <u>OFF</u>	ENG	For setting the high-frequency compensation to ON or OFF.
GAMMA	ON <u>OFF</u>	ENG	For setting the GAMMA to ON or OFF.
MATRIX	ON <u>OFF</u>	ENG	For setting the MATRIX to ON or OFF.
FLARE	ON <u>OFF</u>	ENG	For setting the FLARE to ON or OFF.
M. PED	-200 : <u>+140</u> : +200	ENG	For adjusting the master pedestal level.

● Resolution measurement screen

The resolution measurements are performed on this screen.

Item	Variable range	VF display	Remarks
RESOLUTION	ON	ENG	For setting the resolution measurement.
DETAIL	ON <u>OFF</u>	ENG	For setting the DETAIL to ON or OFF.
H-F COMPE.	ON <u>OFF</u>	ENG	For setting the high-frequency compensation to ON or OFF.
GAMMA	ON <u>OFF</u>	ENG	For setting the GAMMA to ON or OFF.
MATRIX	ON <u>OFF</u>	ENG	For setting the MATRIX to ON or OFF.
FLARE	ON <u>OFF</u>	ENG	For setting the FLARE to ON or OFF.
M. PED	-100 : <u>+18</u> : +100	ENG	For adjusting the master pedestal level.

● Modulation measurement screen

The modulation measurements are performed on this screen.

Item	Variable range	VF display	Remarks
MODULATION	ON	ENG	For setting the modulation measurement.
DETAIL	ON <u>OFF</u>	ENG	For setting the DETAIL to ON or OFF.
H-F COMPE.	ON <u>OFF</u>	ENG	For setting the high-frequency compensation to ON or OFF.
GAMMA	ON <u>OFF</u>	ENG	For setting the GAMMA to ON or OFF.
MATRIX	ON <u>OFF</u>	ENG	For setting the MATRIX to ON or OFF.
FLARE	ON <u>OFF</u>	ENG	For setting the FLARE to ON or OFF.
M. PED	-100 : <u>+18</u> : +100	ENG	For adjusting the master pedestal level.

● Sensitivity measurement screen

The sensitivity measurements are performed on this screen.

Item	Variable range	VF display	Remarks
SENSITIVITY	ON	ENG	For setting the sensitivity measurement.
KNEE	ON <u>OFF</u>	ENG	For setting the KNEE to ON or OFF.
W. CLIP	ON <u>OFF</u>	ENG	For setting the white clip to ON or OFF.
M. PED	-100 : <u>+18</u> : +100	ENG	For adjusting the master pedestal level.

The underlining in the variable range column indicates the setting in the preset mode.

Setting menu screens (VTR MENU)

VTR MAIN MENU screen

SUB menu	VF display	Remarks
FUNCTION	ENG	Index for opening the FUNCTION screen.
BATTERY/TAPE	ENG	Index for opening the BATTERY/TAPE screen.
BATTERY SETTING	ENG	Index for opening the BATTERY SETTING screen.
VTR VF INDICATOR	ENG	Index for opening the VTR VF INDICATOR screen.
MIC/AUDIO	ENG	Index for opening the MIC/AUDIO screen.
TC/UB	ENG	Index for opening the TC/UB screen.
TIME/DATE	ENG	Index for opening the TIME/DATE screen.
VTR USER MENU SELECT	ENG	Index for opening the VTR USER MENU SELECT screen.
VTR CARD READ/WRITE	ENG	Index for opening the VTR CARD READ/WRITE screen.
VTR INITIALIZE	ENG	Index for opening the VTR INITIALIZE screen.
DIAGNOSTIC	ENG	Index for opening the VTR DIAGNOSTIC screen.

Setting menu screens (VTR MAIN MENU)

FUNCTION screen

The VTR's functions are set on this screen.

Item	Variable range	VF display	Remarks
NEWS REC MODE	<u>OFF</u> 0.2 : 2.0	USER ENG	For selecting the VTR START button acknowledgment time during recording. OFF: The pressing of the VTR START button is acknowledged immediately, recording is stopped, and the unit is set to the REC PAUSE mode. 0.2—2.0: The pressing of the VTR START button is not acknowledged and recording is continued for the time set (in increments of 0.2 sec.).
HUMID OPE	<u>ON</u> <u>OFF</u>	USER ENG	For selecting the VTR operation when condensation has formed. ON : Operation is continued as usual. OFF : Operation of all controls except the POWER switch and EJECT button is inhibited.
REC START	<u>ALL</u> <u>NORMAL</u>	USER ENG	For selecting acknowledgement of recording started by the VTR START button. ALL: The start of the recording is acknowledged regardless of the VTR mode. NORMAL: The start of the recording is acknowledged only in the STOP (POWER SAVE) mode and REC PAUSE mode.
PAUSE TIMER	10 20 <u>30</u> 60	USER ENG	For selecting the amount of time REC PAUSE is to be held. 10/20/30/60: 10, 20, 30 or 60 minutes.
RETAKE MODE	<u>ON</u> <u>OFF</u>	USER ENG	Functions for rewinding the tape to the position where recording started. ON : The RETAKE function works. OFF : The RETAKE function does not work. <Note> The RETAKE function is set OFF when the unit's power switch has been set to ON.

Item	Variable range	VF display	Remarks
HD SDI OUT	<u>ON</u> SIDE SW <u>AUTO</u> <u>OFF</u>	USER ENG	For controlling the output signals of the HD SDI OUT connector. However, ON or OFF cannot be selected for these signals during recording: the status prior to the start of the recording is maintained. ON: The signals are forcibly output. However, the signals are output in the EE/PB mode when the MONITOR OUT SDI switch on the side panel is set to OFF. SIDE SW: The signals are not output when the MONITOR OUT SDI switch on the side panel is set to OFF. AUTO: The signals are output when the connector has been connected to the output connector. However, the signals are output in the EE/PB mode when the MONITOR OUT SDI switch on the side panel is set to OFF. OFF: The output is stopped.
INTERVAL REC MODE	<u>ON</u> <u>OFF</u>	USER ENG	For selecting the intermittent recording mode. ON: Intermittent recording is performed. OFF: Intermittent recording is not performed. <Note> Intermittent recording is set OFF when the unit's power switch has been set to ON.
INTERVAL REC TIME	<u>00s10f</u> : 59s29f	USER ENG	For setting the REC time for intermittent recording. <Note> When REC time is set at less than 1 second, the initial recording time will be 1 second.
INTERVAL PAUSE TIME	<u>00h00m02s</u> : 23h59m59s	USER ENG	For setting the REC PAUSE time for intermittent recording.

The underlining in the variable range column indicates the setting in the preset mode.

Setting menu screens (VTR MAIN MENU)

BATTERY/TAPE screen

The warning tone which signals the remaining battery charge and remaining tape and which is heard during shooting can be switched off if they prove to be distracting.

Item	Variable range	VF display	Remarks
BATTERY SELECT	AJ-BP490 AU-BP402 HP-30A <u>PRO14</u> TRIM14 TRIM13 DIGITAL14 DIGITAL13 BP-H90 BP-H100 NP-L40 NP-L40 D BP-L60/90 NP-1B	USER ENG	For selecting the type of battery used. AJ-BP490 : AJ-BP490 battery AU-BP402 : AU-BP402 battery HP-30A : PACO HP-30A battery PRO14 : Anton/Bauer PRO14 battery TRIM14 : Anton/Bauer TRIM14 battery TRIM13 : Anton/Bauer TRIM13 battery DIGITAL14 : Anton/Bauer DIGITAL battery (14V) DIGITAL13 : Anton/Bauer DIGITAL battery (13V) BP-H90 : IDX BP-H90 battery BP-H100 : IDX BP-H100 battery NP-L40 : IDX NP-L40 battery NP-L40D : IDX NP-L40D battery BP-L60/90 : Sony BP-L60/90 battery NP-1B : Sony NP-1B battery
EXT DC IN SELECT	<u>AC-ADPT</u> AJ-BP490 AU-BP402 HP-30A PRO14 TRIM14 TRIM13 BP-H90 BP-H100 NP-L40 BP-L60/90 NP-1B	USER ENG	For setting the power supply to be used. The AC adapter or the battery selected on the BATTERY SELECT screen is set.

Item	Variable range	VF display	Remarks
BATT NEAR END ALARM	ON <u>OFF</u>	USER ENG	For setting the warning tone heard when the battery is near the end of its charge to ON or OFF.
BATT NEAR END CANCEL	ON OFF	USER ENG	For switching the function which cancels the warning tone heard when the battery is near the end of its charge to ON or OFF using the MODE switch.
BATT END ALARM	<u>ON</u> OFF	USER ENG	For setting the warning tone heard when the battery is at the end of its charge to ON or OFF.
BATT REMAIN FULL	100% <u>70%</u>	USER ENG	For selecting the battery capacity at which "FULL" is to appear on the LCD display window as the remaining battery display (for all 7 segments to be lighted).
TAPE NEAR END ALARM	ON <u>OFF</u>	USER ENG	For setting the warning tone heard when the end of the tape is near to ON or OFF.
TAPE NEAR END TIME	3min <u>2min</u>	USER ENG	For setting the remaining tape time for which the warning tone is to be heard when the end of the tape is near.
TAPE END ALARM	<u>ON</u> OFF	USER ENG	For setting the warning tone heard when the tape has reached its end to ON or OFF.
TAPE REMAIN/■	3min/■ 5min/■	USER ENG	For setting the time for one segment of the remaining tape display indicated on the LCD display window. 3min/■ : One segment is set to 3 minutes. 5min/■ : One segment is set to 5 minutes.

The underlining in the variable range column indicates the setting in the preset mode.

Setting menu screens (VTR MAIN MENU)

BATTERY SETTING screen

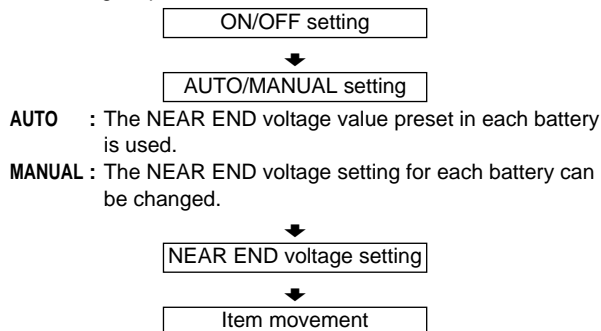
The type of battery to be used is selected and its settings are performed on this screen.

Item	Variable range	VF display	Remarks
AJ-BP490	MANUAL <u>AUTO</u>	ENG	For setting the AJ-BP490 and the PACO HP-90A battery.
AU-BP402	MANUAL <u>AUTO</u>	ENG	For setting the AU-BP402 battery.
HP-30A	MANUAL <u>AUTO</u>	ENG	For setting the PACO HP-30A battery.
PRO14	MANUAL <u>AUTO</u>	ENG	For setting the Anton/Bauer PRO14 battery.
TRIM14	MANUAL <u>AUTO</u>	ENG	For setting the Anton/Bauer TRIM14 battery.
TRIM13	MANUAL <u>AUTO</u>	ENG	For setting the Anton/Bauer TRIM13 battery.
DIGITAL14	MANUAL <u>AUTO</u>	ENG	For setting the Anton/Bauer digital battery (14V).
DIGITAL13	MANUAL <u>AUTO</u>	ENG	For setting the Anton/Bauer digital battery (13V).
BP-H90	MANUAL <u>AUTO</u>	ENG	For setting the IDX BP-H90 battery made by.
BP-H100	MANUAL <u>AUTO</u>	ENG	For setting the IDX BP-H100 battery.
NP-L40	MANUAL <u>AUTO</u>	ENG	For setting the IDX NP-L40 battery.
NP-L40 D	MANUAL <u>AUTO</u>	ENG	For setting the IDX NP-L40D battery.
BP-L60/90	MANUAL <u>AUTO</u>	ENG	For setting the Sony BP-L60/90 battery.
NP-1B	MANUAL <u>AUTO</u>	ENG	For setting the Sony NP-1B battery.

1. Either “*” or “●” appears in front of each item to indicate whether the item is set to ON or OFF.

- * : ON
- : OFF

2. Each time the JOG dial button is pressed, the setting moves in the following sequence:



The underlining in the variable range column indicates the setting in the preset mode.

Setting menu screens (VTR MAIN MENU)

VTR VF INDICATOR screen

The information to be displayed in the viewfinder is set on this screen.

Item	Variable range	VF display	Remarks
TAPE (IND)	ON OFF	USER ENG	For switching the remaining tape display to ON or OFF.
BATTERY (IND)	ON OFF	USER ENG	For switching the battery voltage display to ON or OFF.
LEVEL METER (IND)	CH1 CH1•CH2 OFF	USER ENG	For selecting what the audio level meter is to display. CH1: The level of the CH1 signals only is displayed. CH1•CH2: The levels of both the CH1 and CH2 signals are displayed. OFF: No display.
AUDIO IN (IND)	ON OFF	USER ENG	For switching the audio input display to ON or OFF. ON : The audio input is displayed. OFF : The audio input is not displayed.
TC (IND)	ON OFF	USER ENG	For switching the time code display to ON or OFF. ON : The time code is displayed. OFF : The time code is not displayed.
VTR WARNING (IND)	ALWAYS <u>NORMAL</u> OFF	USER ENG	For setting when the VTR's warnings are to be displayed. ALWAYS: The warning display always appears when a warning has occurred. NORMAL: The display appears for 3 seconds after the warning occurred and for 3 seconds after recording was started or completed. OFF: The warning displays do not appear.

Item	Variable range	VF display	Remarks
SAVE LED	SAVE&TAPE <u>SAVE</u>	USER ENG	For setting the operation of the SAVE lamp. SAVE: This lights when the VTR SAVE/STBY switch has been set to SAVE. It goes off during recording. SAVE&TAPE: This lights when the VTR SAVE/STBY switch has been set to SAVE. It goes off during recording. When the tape is approaching its end, it flashes in tandem with the warning alarm that sounds when tape-end is approaching.

MIC/AUDIO screen

The MIC/AUDIO settings are performed on this screen.

Item	Variable range	VF display	Remarks
FRONT MIC POWER	ON OFF	USER ENG	ON : The phantom power is supplied to the front microphone. OFF : The phantom power is not supplied to the front microphone.
MIC LOWCUT CH1	FRONT REAR F&R <u>OFF</u>	USER ENG	For setting the high-pass filter for the CH1 mic input. FRONT: The high-pass filter for the front mic input is set to ON. REAR : The high-pass filter for the rear mic input is set to ON. F&R : The high-pass filters for both the front and rear mic inputs are set to ON. OFF : The high-pass filter for the CH1 input is set to OFF.

<Note>

The frequency characteristics in the MIC LOWCUT ON mode are 200 Hz to 10 kHz.

The underlining in the variable range column indicates the setting in the preset mode.

Setting menu screens (VTR MAIN MENU)

MIC/AUDIO screen

The MIC/AUDIO settings are performed on this screen.

Item	Variable range	VF display	Remarks
MIC LOWCUT CH2	FRONT REAR F&R <u>OFF</u>	USER ENG	For setting the high-pass filter for the CH2 mic input. FRONT: The high-pass filter for the front mic input is set to ON. REAR : The high-pass filter for the rear mic input is set to ON. F&R : The high-pass filters for both the front and rear mic inputs are set to ON. OFF : The high-pass filter for the CH2 input is set to OFF.
LIMITER	ON <u>OFF</u>	USER ENG	For switching the audio limiter to ON or OFF. ON : The limiter operates. OFF : The limiter does not operate.
TEST TONE	<u>NORMAL</u> ALWAYS OFF CHSEL	USER ENG	NORMAL: The test tone signal is output when the AUDIO IN switch for CH1 is set to front while BAR is selected as the CAM/BAR switch setting. ALWAYS: The test tone signal is always output when BAR is selected as the CAM/BAR switch setting. OFF: The test tone signal is not output. CHSEL: The test tone signal is output for the selected channel when the AUDIO IN switch CH1 or CH2 is set to front while BAR is selected as the CAM/BAR switch setting.

Item	Variable range	VF display	Remarks
REC CH3/CH4	<u>CH1/2</u> CH3/4	USER ENG	For setting the audio signals to be recorded on the CH3 track and CH4 track. CH1/2: The CH1 signal is recorded on the CH3 track, and the CH2 signal is recorded on the CH4 track. CH3/4: The CH3 and CH4 signals which are supplied from the camera adapter are recorded.
CUE SELECT	<u>SIDE SW</u> CH1 CH2 MIX	USER ENG	For setting the audio signals to be recorded on the cue track. SIDE SW: The signals selected by the CUE switch on the side panel are recorded. CH1: The CH1 signals are recorded. CH2: The CH2 signals are recorded. MIX: The CH1 and CH2 mixed signals are recorded.
CUE REC	<u>ON</u> OFF	USER ENG	For setting whether signals are to be recorded on the cue track. ON : The signals will be recorded on the cue track. OFF : The signals will not be recorded on the cue track. The power-saving mode is established.

<Note>

The frequency characteristics in the MIC LOWCUT ON mode are 200 Hz to 10 kHz.

The underlining in the variable range column indicates the setting in the preset mode.

Setting menu screens (VTR MAIN MENU)

TC/UB screen

The time code and user's bit settings are performed on this screen.

Item	Variable range	VF display	Remarks
TC MODE	<u>DF</u> NDF	USER ENG	For setting the time code to the DF or NDF mode. DF : The time code is set to the drop frame mode. NDF : The time code is set to the non-drop frame mode. <Note> This unit will perform the processing in the non-drop frame mode when the frame rate has been set to 24 frames/sec. (23.98 Hz).
UB MODE	USER <u>DATE</u> TIME EXT TCG	USER ENG	For setting what is to be written as the user's bit in the LTC area. USER : User setting (fixed). DATE : Real time value for year/month/day/hours. TIME : Real time value for hours/minutes/seconds. EXT : The UBG value is slave-locked when a TC signal is supplied from an external source. (The user setting is used when no external input is supplied.) TCG : Time code generator value <Note> Set the time on the TIME/DATE menu screen when using the UB MODE item with real-time operation.

Item	Variable range	VF display	Remarks
TCG SET HOLD	ON <u>OFF</u>	USER ENG	For selecting the operation of TCG when the TCG SET → power OFF → power ON → REC operations are performed. ON : The TCG setting is stored when the power is turned off, and is not regenerated. OFF : The TCG setting is not stored when the power is turned off, but is regenerated.
FIRST REC TC	<u>REGEN</u> PRESET	USER ENG	For setting the TC REGEN mode when recording is started. REGEN : The time code set on the tape is regenerated. However, when the frame rate has been set to 24 frames/sec. (23.98 Hz), the time code on the tape in those parts where the drop frame mode was established will not be regenerated. PRESET : The time code set on the tape is not regenerated. However, it is forcibly regenerated when the unit is transferred from the rec-pause mode to the recording mode.

<Note>

When USER is set for the UB MODE item, it is not possible to set EXT for the VITC UB MODE item. Similarly, it is not possible to set EXT for the UB MODE item when USER has been set for the VITC UB MODE item.

The underlining in the variable range column indicates the setting in the preset mode.

This unit automatically stores as the tape management information both the frame rate information which indicates the shooting speed and the active frame information which indicates the first frame where the frame image was switched in the user's bit of the sub-code track area (this used to be the LTC area). This information is output from the TC OUT connector and HD SDI OUT connector. Further, the active frame information is stored in the least significant digit of the user's bit while the frame rate information is stored in its lower third and fourth digits.

<Notes>

- When "DATE," "TCG" or "USER" has been selected as the UB MODE item setting on the TC/UB screen, the tape management information is output from the least significant digit to the lower fourth digit of the user's bit, so no other user's bit information will be output.
- The tape management information is not output as the user's bit information in the VIDEO AUX area (this used to be the VITC area).

Setting menu screens (VTR MAIN MENU)

TC/UB screen

The time code and user's bit settings are performed on this screen.

Item	Variable range	VF display	Remarks
P. OFF LCD DISPLAY	<u>ON</u> OFF	USER ENG	For setting whether the LCD display is to appear when the power is OFF. ON : The LCD display appears even when the power is OFF. OFF : The LCD display does not appear when the power is OFF. The power-saving mode is established.
TC OUT	<u>TCG</u> TCG/TCR	USER ENG	For selecting the time code which is to be output to the time code output connector. TCG : The time code generated by the time code generator is output at all times. TCG/TCR : The time code generated by the time code generator is output in the E-E mode; the time code reader value is output in the V-V mode.

Item	Variable range	VF display	Remarks
VITC UB MODE	USER DATE <u>TIME</u> EXT TCG	USER ENG	For setting what is to be written as the user's bit in the VITC area. USER : User setting (fixed). DATE : Real time value for year/month/day/hours. TIME : Real time value for hours/minutes/seconds. EXT : The UBG value is slave-locked when a TC signal is supplied from an external source. (The user setting is used when no external input is supplied.) TCG : Time code generator value <Notes> <ul style="list-style-type: none"> ● Set the time on the TIME/DATE menu screen when using the UB MODE item with real-time operation. ● The tape management information is not output as the user's bit information in the VITC area.

The underlining in the variable range column indicates the setting in the preset mode.

Setting menu screens (VTR MAIN MENU)

TIME DATE screen

The time/date settings are performed on this screen.

Item	Variable range	VF display	Remarks
YEAR	<u>00</u> —99	ENG	For setting the year.
MONTH	<u>1</u> —12	ENG	For setting the month.
DAY	<u>1</u> —31	ENG	For setting the day.
HOUR	<u>0</u> —23	ENG	For setting the hours.
MINUTE	<u>0</u> —59	ENG	For setting the minutes.
■ TIME/DATE SET	—	ENG	For entering the time and date.

VTR INITIALIZE screen

The VTR MENU settings are initialized and the user data is saved on this screen.

Item	Variable range	VF display	Remarks
READ FACTORY DATA	—	ENG	For returning the menu data to the factory settings.
WRITE VTR USER DATA	—	ENG	For saving the VTR MENU data inherent to the user into the unit's memory.

VTR USER MENU SELECT screen

This is the index screen for opening the screens containing the items to be registered on the VTR unit's USER MENU.

SUB menu	VF display	Remarks
FUNCTION	ENG	Index for opening the FUNCTION screen.
BATTERY/TAPE	ENG	Index for opening the BATTERY/TAPE screen.
VTR VF INDICATOR	ENG	Index for opening the VTR VF INDICATOR screen.
MIC/AUDIO	ENG	Index for opening the MIC/AUDIO screen.
TC/UB	ENG	Index for opening the TC/UB screen.

DIAGNOSTIC screen

The use statuses and software versions are displayed on this screen.

Item	Variable range	VF display	Remarks
OPERATION	—	ENG	Operating time with power ON.
DRUM RUNNING	—	ENG	Number of hours the drum has rotated.
THREADING	—	ENG	Number of times tapes have been loaded.
VTR SYSCON	—	ENG	For displaying the version of the system microcomputer.
SERVO	—	ENG	For displaying the version of the servo microcomputer.
MECHACON	—	ENG	For displaying the version of the mechanism control microcomputer.
FRONT	—	ENG	For displaying the version of the LCD panel drive microcomputer.

VTR CARD READ/WRITE screen

The settings for saving the menu data onto the setup card and loading the data from it are performed on this screen.

Item	Variable range	VF display	Remarks
READ	—	ENG	For loading the VTR data from the setup card.
WRITE	—	ENG	For saving the VTR data onto the setup card.
READ USER DATA	—	ENG	For loading the VTR user area data contained in the unit's internal memory.

The underlining in the variable range column indicates the setting in the preset mode.

Setting menu screens (VTR USER MENU SELECT)

ON (*) or OFF (●) is set on this screen to determine which items are to be registered on the USER MENU screen.

The maximum number of VTR unit items which can be registered is 14.

FUNCTION screen

Item	Variable range	VF display	Remarks
NEWS REC MODE	* ●	ENG	For setting the registration of the NEWS REC MODE item on the USER MENU screen.
HUMID OPE	* ●	ENG	For setting the registration of the HUMID OPE item on the USER MENU screen.
REC START	* ●	ENG	For setting the registration of the REC START item on the USER MENU screen.
PAUSE TIMER	* ●	ENG	For setting the registration of the PAUSE TIMER item on the USER MENU screen.
RETAKE MODE	* ●	ENG	For setting the registration of the RETAKE MODE item on the USER MENU screen.
HD SDI OUT	* ●	ENG	For setting the registration of the HD SDI OUT item on the USER MENU screen.
INTERVAL REC MODE	* ●	ENG	For setting the registration of the INTERVAL REC MODE item on the USER MENU screen.
INTERVAL REC TIME	* ●	ENG	For setting the registration of the INTERVAL REC TIME item on the USER MENU screen.
INTERVAL PAUSE TIME	* ●	ENG	For setting the registration of the INTERVAL PAUSE TIME item on the USER MENU screen.

BATTERY/TAPE screen

Item	Variable range	VF display	Remarks
BATTERY SELECT	* ●	ENG	For setting the registration of the BATTERY SELECT item on the USER MENU screen.
EXT DC IN SELECT	* ●	ENG	For setting the registration of the EXT DC IN SELECT item on the USER MENU screen.
BATT NEAR END ALARM	* ●	ENG	For setting the registration of the BATT NEAR END ALARM item on the USER MENU screen.
BATT NEAR END CANCEL	* ●	ENG	For setting the registration of the BATT NEAR END CANCEL item on the USER MENU screen.
BATT END ALARM	* ●	ENG	For setting the registration of the BATT END ALARM item on the USER MENU screen.
BATT REMAIN FULL	* ●	ENG	For setting the registration of the BATT REMAIN FULL item on the USER MENU screen.
TAPE NEAR END ALARM	* ●	ENG	For setting the registration of the TAPE NEAR END ALARM item on the USER MENU screen.
TAPE NEAR END TIME	* ●	ENG	For setting the registration of the TAPE NEAR END TIME item on the USER MENU screen.
TAPE END ALARM	* ●	ENG	For setting the registration of the TAPE END ALARM item on the USER MENU screen.
TAPE REMAIN /■	* ●	ENG	For setting the registration of the TAPE REMAIN/■ item on the USER MENU screen.

The underlining in the variable range column indicates the setting in the preset mode.

Setting menu screens (VTR USER MENU SELECT)

ON (*) or OFF (●) is set on this screen to determine which items are to be registered on the USER MENU screen.

The maximum number of VTR unit items which can be registered is 14.

VTR VF INDICATOR screen

Item	Variable range	VF display	Remarks
TAPE (IND)	* ●	ENG	For setting the registration of the TAPE (VF INDICATOR) item on the USER MENU screen.
BATTERY (IND)	* ●	ENG	For setting the registration of the BATTERY (VF INDICATOR) item on the USER MENU screen.
LVEL METER (IND)	* ●	ENG	For setting the registration of the LVEL METER (VF INDICATOR) item on the USER MENU screen.
AUDIO IN (IND)	* ●	ENG	For setting the registration of the AUDIO IN (VF INDICATOR) item on the USER MENU screen.
TC (IND)	* ●	ENG	For setting the registration of the TC (VF INDICATOR) item on the USER MENU screen.
VTR WARNING (IND)	* ●	ENG	For setting the registration of the VTR WARNING (VF INDICATOR) item on the USER MENU screen.
SAVE LED	* ●	ENG	For setting the registration of the SAVE LED item on the USER MENU screen.

MIC/AUDIO screen

Item	Variable range	VF display	Remarks
FRONT MIC POWER	* ●	ENG	For setting the registration of the FRONT MIC POWER item on the USER MENU screen.
MIC LOWCUT CH1	* ●	ENG	For setting the registration of the MIC LOWCUT CH1 item on the USER MENU screen.
MIC LOWCUT CH2	* ●	ENG	For setting the registration of the MIC LOWCUT CH2 item on the USER MENU screen.
LIMITER	* ●	ENG	For setting the registration of the LIMITER item on the USER MENU screen.
TEST TONE	* ●	ENG	For setting the registration of the TEST TONE item on the USER MENU screen.
REC CH3/CH4	* ●	ENG	For setting the registration of the REC CH3/CH4 item on the USER MENU screen.
CUE SELECT	* ●	ENG	For setting the registration of the CUE SELECT item on the USER MENU screen.
CUE REC	* ●	ENG	For setting the registration of the CUE REC item on the USER MENU screen.

TC/UB screen

Item	Variable range	VF display	Remarks
TC MODE	* ●	ENG	For setting the registration of the TC MODE item on the USER MENU screen.
UB MODE	* ●	ENG	For setting the registration of the UB MODE item on the USER MENU screen.
TCG SET HOLD	* ●	ENG	For setting the registration of the TCG SET HOLD item on the USER MENU screen.
FIRST REC TC	* ●	ENG	For setting the registration of the FIRST REC TC item on the USER MENU screen.
P.OFF LCD DISPLAY	* ●	ENG	For setting the registration of the P.OFF LCD DISPLAY item on the USER MENU screen.
TC OUT	* ●	ENG	For setting the registration of the TC OUT item on the USER MENU screen.
VITC UB MODE	* ●	ENG	For setting the registration of the VITC UB MODE item on the USER MENU screen.

The underlining in the variable range column indicates the setting in the preset mode.

Warning system

When a problem is detected immediately after the power is turned on or during operation, the user is alerted to the trouble by the display window (LCD), WARNING lamp and the lamps inside the viewfinder and also by warning tones heard from the speaker or earphone.

■ SLACK

LCD display	<ul style="list-style-type: none"> • The SLACK display flashes. • An error code is displayed where the time code is normally displayed.
WARNING lamp	The lamp flashes four times a second.
Tally lamp	The lamp flashes four times a second.
Warning alarm	The alarm sounds continuously.
Viewfinder	The SLACK display flashes.
What the warning indicates	The warning points to a problem in the tape take-up.
VTR unit's operation	The VTR unit stops. When a solenoid problem has been detected, the power is turned off. (The LCD warning display continues.)
Remedial action	Check the error code (see page 109) in the display window, and consult your nearest service center.

■ RF

LCD display	The RF display flashes (during recording).
WARNING lamp	The lamp flashes four times a second (during recording).
Tally lamp	The lamp flashes four times a second (during recording).
Warning alarm	The alarm sounds four times a second (during recording).
Viewfinder	The RF display comes on (during recording).
What the warning indicates	The video heads are clogged. The warning points to a problem in the recording system.
VTR unit's operation	Head clogging is detected, and the alarm tone is sounded. The cleaning roller is activated and the heads are cleaned (for at least 10 seconds). Recording continues but the signals may not be recorded properly. The warning display is held until the rec-pause mode is established. It goes off as soon as the unit is transferred from the rec-pause mode.
Remedial action	Clean the heads. If the signals cannot be recorded properly after cleaning, turn off the power, and consult your nearest service center.

■ REC WARNING

LCD display	"00:00:00:11" appears where the time code is normally displayed (for at least 5 seconds during recording).
WARNING lamp	The lamp flashes four times a second (for at least 3 seconds during recording).
Tally lamp	The lamp flashes four times a second (for at least 3 seconds during recording).
Warning alarm	The alarm sounds four times a second (for at least 3 seconds during recording).
Viewfinder	The REC WARNING display flashes (for at least 3 seconds during recording).
What the warning indicates	The warning points to a problem in the recording control signal.
VTR unit's operation	Recording continues but the signals may not be recorded properly while the warning is displayed.
Remedial action	The warning points to a problem with the control signal inside the unit. Consult your nearest service center.

■ SERVO

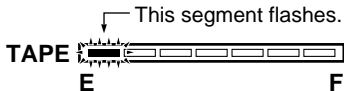
LCD display	The SERVO display lights (during recording and playback).
WARNING lamp	The lamp flashes four times a second (during recording and playback).
Tally lamp	The lamp flashes four times a second (during recording and playback).
Warning alarm	The alarm sounds four times a second (during recording and playback).
Viewfinder	The SERVO display lights (during recording and playback).
What the warning indicates	The servo operation is disturbed.
VTR unit's operation	Operation continues but the unit may not operate properly.
Remedial action	Turn off the power, and consult your nearest service center. When tape travel starts, the warning display may flash for a moment and go off: this is normal and not indicative of a malfunction.

Warning system

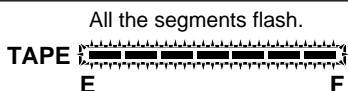
■ HUMID

LCD display	The HUMID display lights. The display will flash for 80 minutes after the condensation detection is released.
WARNING lamp	<ul style="list-style-type: none"> • The lamp lights when condensation has been detected. • The lamp will flash once a second after condensation detection is released.
Tally lamp	The lamp flashes four times a second.
Warning alarm	<ul style="list-style-type: none"> • During recording, the alarm sounds four times a second. • At all other times, the alarm sounds continuously.
Viewfinder	The HUMID display lights.
What the warning indicates	Condensation has formed.
VTR unit's operation	<p>The VTR unit's operation differs depending on the setting selected for HUMID OPE on the setting menu.</p> <ul style="list-style-type: none"> • When the ON setting has been selected, the VTR unit continues to operate. • When the OFF setting has been selected, the VTR unit continues with the recording, but this operation will stop if the tape sticks. <p>For 80 minutes after condensation detection is released, the drum will rotate however no other operation is possible.</p>
Remedial action	<p>Stop the tape travel, and turn off the power.</p> <p>If the HUMID display fails to go off even when the power is turned off and back on, wait until it goes off.</p>

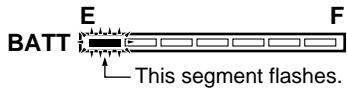
■ TAPE NEAR END

LCD display	
WARNING lamp	The lamp flashes once a second (during recording).
Tally lamp	The lamp flashes once a second (during recording).
Warning alarm	<p>The alarm sounds once a second (during recording).</p> <p>This can be switched on the setting menu.</p>
Viewfinder	<ul style="list-style-type: none"> • The remaining tape display flashes once a second (in the E-E mode). • The SAVE lamp flashes in tandem with the warning alarm (when SAVE&TAPE has been selected as the setting for the SAVE LED item on the VTR VF INDICATOR screen of VTR MENU). • "E" flashes once a second (three seconds during recording).
What the warning indicates	The tape is approaching its end.
VTR unit's operation	The VTR unit continues to operate.
Remedial action	Replace the cassette tape if necessary.

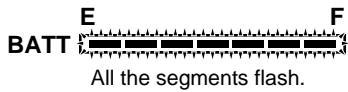
■ TAPE END

LCD display	<p>All the segments flash.</p> 
WARNING lamp	The lamp lights (during stop and in the standby OFF mode).
Tally lamp	The lamp flashes 4 times a second (during stop and in the standby OFF mode).
Warning alarm	The alarm sounds continuously (during stop and in the standby OFF mode).
Viewfinder	<ul style="list-style-type: none"> • The SAVE display flashes four times a second (during stop and in the standby OFF mode). • "E" lights (during stop and in the standby OFF mode).
What the warning indicates	The tape has come to its end.
VTR unit's operation	If recording, playback or fast forwarding is in progress, the operation is stopped.
Remedial action	<p>Rewind the tape.</p> <p>Alternatively, replace the cassette tape.</p>

■ BATTERY NEAR END

LCD display	
WARNING lamp	The lamp flashes once a second.
Tally lamp	The lamp flashes once a second.
Warning alarm	The alarm sounds four times a second.
Viewfinder	The BATT display flashes once a second.
What the warning indicates	The battery is near the end of its charge.
VTR unit's operation	The VTR unit continues to operate.
Remedial action	Replace the battery if necessary.

■ BATTERY END

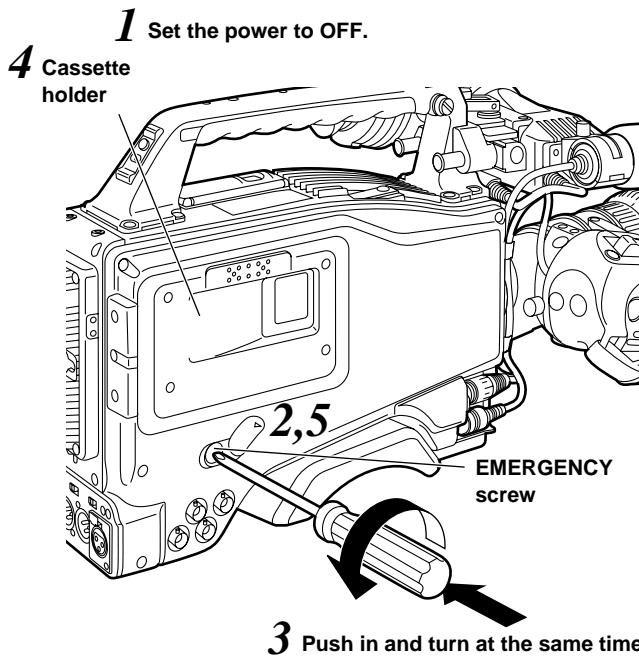
LCD display	 <p>All the segments flash.</p>
WARNING lamp	The lamp lights.
Tally lamp	The lamp flashes once a second.
Warning alarm	The alarm sounds continuously.
Viewfinder	The BATT display lights.
What the warning indicates	The battery is at the end of its charge.
VTR unit's operation	<p>All operation is stopped and the tape is unloaded.</p> <p>Only cassette eject operation is possible.</p>
Remedial action	Replace the battery.

Emergency eject

If the cassette cannot be ejected by pressing the EJECT button, use a screwdriver or similar tool to press and turn the EMERGENCY screw. This enables the cassette to be removed.

1 Set the power to OFF.

2 Remove the rubber cap where shown in the figure. Insert a Phillips head screwdriver into the cross-shaped part of the EMERGENCY screw (red).



- This screw needs to be rotated through about 20 turns after the first turn until the unloading can be started.
- This screw needs to be rotated through about 90 turns after the first turn until the tape is ejected.

3 While pushing in with the screwdriver, turn the EMERGENCY screw counterclockwise until the tape is ejected.

- This screw needs to be rotated through about 20 turns after the first turn until the unloading can be started.

- This screw needs to be rotated through about 90 turns after the first turn until the tape is ejected.

4 Remove the cassette.

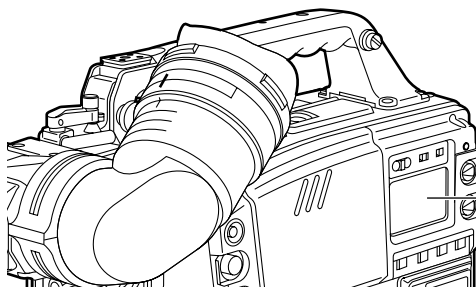
5 Return the rubber cap to its original position.

<Notes>

- Do not turn the EMERGENCY screw except in an emergency.
- Do not turn the screw clockwise. Stop turning the screw as soon as the tape is ejected. Otherwise, the mechanism may be damaged.
- After the tape is ejected, the cassette holder will not lock into place even when an attempt is made to close it. Be sure to turn the power off and turn it back on to reset the mechanism's operation, and then close the cassette holder.
- A clicking sound will be heard when the EMERGENCY screw is turned: this sound is made by the reel drive operation and is therefore not indicative of a malfunction.

Error codes

One of the following error codes appears in the display window when an error has occurred in the unit for some reason.



Code No.	Description of error
07	Pinch solenoid problem
08	Cleaning solenoid problem
0B	Supply reel problem
0C	Take-up reel problem
0D	Capstan problem
0E	Cylinder problem
0F	Loading problem
3F	Servo problem

Maintenance

Condensation

The water vapor in the air may form as tiny droplets on the head drum when the unit is moved from a cold location to a warm location or used in a very humid place. This phenomenon is known as condensation, and running the tape under these conditions is liable to cause the tape to stick to the drum.

Note the following points:

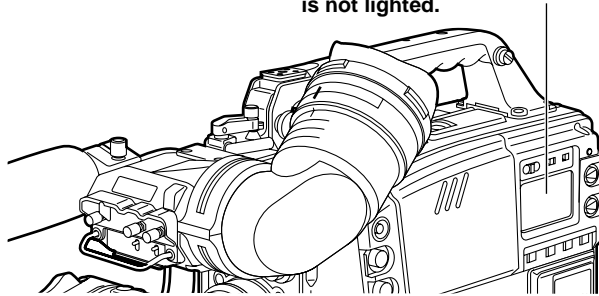
- Remove the tape when the unit's operation is to be started in conditions where condensation may form.
- Before loading the tape, set the power switch to ON, and check that the HUMID display is not lighted in the display window.

<Note>

For safety reasons, the HUMID display will flash and the drum will rotate for 80 minutes after condensation detection is released.

During this time, the operation buttons cannot be operated.

Check that the HUMID display is not lighted.



Head cleaning

Use the AJ-CL12LP cleaning cassette if the heads need to be cleaned. Take care to read the instructions accompanying the cleaning tape since the video heads may be damaged if the tape is not used in the correct way.

Cleaning inside the viewfinder

- Do not use thinners or any other solvent to remove dirt.
- Use a lens cleaner available on the market to wipe the lens.
- NEVER wipe the mirror.
If dirt or dust has found its way onto the mirror, remove it using an air blower available on the market.

Phenomena inherent to CCD cameras

Smear

This phenomenon may occur when very bright subjects are shot.

The faster the electronic shutter speed, the more likely that it will occur.

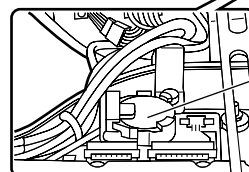
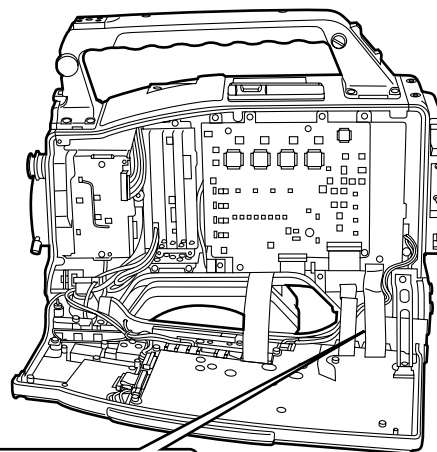
Replacing the backup battery

The backup battery is already installed when the unit is shipped.

When it has discharged, the "BACK UP BATT EMPTY" display appears for 3 seconds on the viewfinder screen when the POWER switch is set to ON.

Moreover, the time code value of the TCG will be set to "00:00:00:00" and the backup of the time code value will no longer be possible: this means that the backup battery should be replaced.

Consult with your nearest service center, and replace the spent battery with a new battery (CR2032 or BR2032).



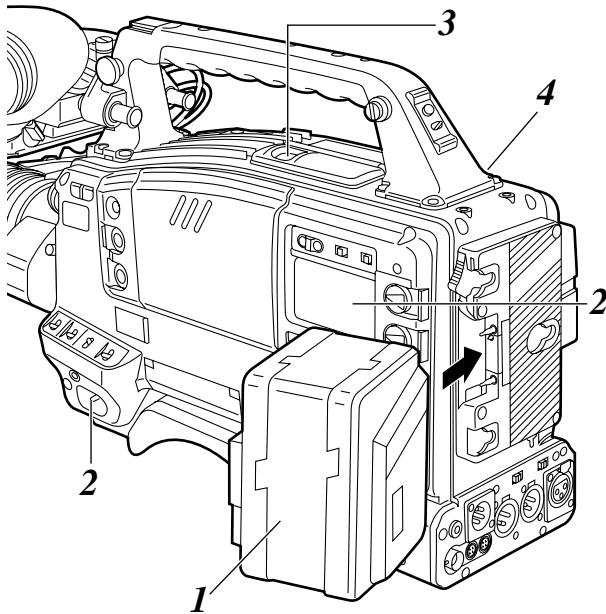
Backup battery

Inspections prior to shooting

Preparation for inspection

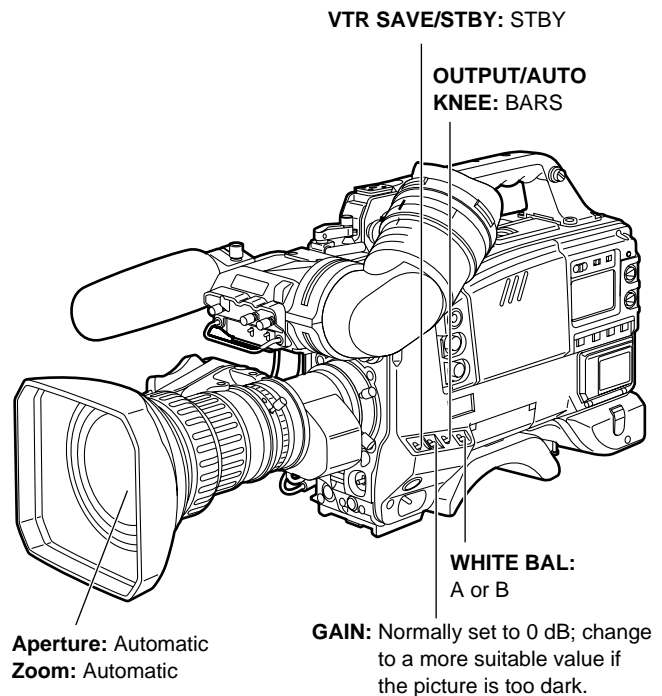
Perform the following inspections prior to shooting to check that the systems are operating properly. It is recommended that the images be checked using a color monitor.

- 1** Insert a fully charged battery.
- 2** Set the POWER switch to ON, and check that the HUMID display has not come on and that at least 5 segments of the BATTERY display are lighted.
 - If the HUMID display has come on, wait until it goes off.
 - If fewer than 5 segments of the BATTERY display have lighted, replace the battery with one having an adequate charge.
- 3** After checking that there are no cables near the cassette holder or top panel, press the EJECT button to open the cassette holder.
- 4** After checking the following points, load the cassette tape and close the cassette holder.
 - The cassette tape must not be set to the accidental erasure prevention mode.
 - There must be no tape slack.




Inspecting the camera unit

Set the camera unit's switches as shown in the figure below.



Inspections prior to shooting

Inspecting the viewfinder

- 1** Adjust the position of the viewfinder.
- 2** Check that the color bar signals are displayed on the viewfinder screen, and adjust the BRIGHT, CONTRAST and PEAKING controls in such a way that the color bar signals appear clearly on the viewfinder.
- 3** Check that the MENU screen is shown on the viewfinder screen and that the item settings can be changed by operating the MENU button or JOG dial button.
(Refer to pages 72 to 74 for the menu operations.)
- 4** Set the OUTPUT/AUTO KNEE switch to CAM, and select the settings for the CC and ND FILTER controls.
Check that the figures for the FILTER displays on the viewfinder screen change to reflect the changes in the control positions.
- 5** Take the following steps, and check that the  lamp lights when the items set to ON on the !LED screen of CAM MENU have been operated.
 1. Use the GAIN switch to set the gain to any value except 0 dB.
 2. Set the SHUTTER switch to ON.
 3. Set the WHITE BAL switch to PRST.
 4. Engage the lens extender.
 5. Set the FILTER controls to any setting except B.
- 6** Repeatedly press the SHUTTER switch from ON to SEL, and check that the shutter setting changes on the viewfinder screen.
- 7** Point the lens at any object, and turn the focus ring to bring the object into focus.
Check that an image of the object appears on the viewfinder.
- 8** Set both the AUDIO IN CH1 and CH2 switches to FRONT, and set LEVEL METER on the VTR VF INDICATOR screen of VTR MENU to CH1.
Check when sound is input from the microphone connected to the MIC IN jack on the lens that the audio level is displayed on the viewfinder screen.
Check when LEVEL METER on the VTR VF INDICATOR screen of VTR MENU is set to OFF that the audio level display is cleared from the viewfinder screen.
- 9** Check when the ZEBRA switch is set to ON that the zebra pattern appears on the viewfinder screen, and check when it is set to OFF that it is cleared from the screen.

<Note>

Depending on the setting statuses, the items and functions in steps 3 to 6 may not be displayed or they may not operate.

In a case like this, switch the unit to the engineer mode, set DISPLAY MODE on the menu's VF DISPLAY screen to "3," and set the necessary items on the SHUTTER SPEED, !LED and CAM USER MENU SELECT 1, 2 and 3 screens.

Inspections prior to shooting

Inspecting the aperture and zoom functions

- 1** Set the zoom to the motorized zoom mode, and check its operations in this mode.
Check that the image changes when the zoom is set to the telephoto and wide-angle positions.
- 2** Set the zoom to the manual zoom mode, and check its operations in this mode.
Turn the manual zoom lever, and check that the image changes when the zoom is set to the telephoto and wide-angle positions.
- 3** Set the aperture to the auto adjustment mode, point the lens at some objects with different brightness levels, and check that the auto aperture adjustment works.
- 4** Set the aperture to the manual adjustment mode, turn the aperture ring, and check that the manual aperture is adjusted.
- 5** While holding down the auto instantaneous aperture adjustment button, point the lens at some objects with different brightness levels, and check that the auto instantaneous aperture adjustment function works.
- 6** Return the aperture to the auto adjustment mode, switch the GAIN switch setting to L, M and H, and check that:
 - The aperture is adjusted for objects of the same brightness level in tandem with the switching of the gain setting.
 - The gain displayed on the viewfinder screen is switched in tandem with the switching of the gain setting.
- 7** When a lens with an extender has been installed, set the extender to the operating position, and check that it works properly.

Inspecting the VTR unit

Perform all the steps outlined in section "1. Tape travel inspection" through section "4. Earphone and speaker inspection" one after the other.

1. Tape travel inspection

- 1** Set the VTR SAVE/STBY switch to SAVE, and check that the VTR SAVE lamp inside the viewfinder lights.
- 2** Set the VTR SAVE/STBY switch to STBY, and check that the VTR SAVE lamp goes off.
- 3** Set the TCG switch to R-RUN.
- 4** Set the DISPLAY switch to CLT.
- 5** Press the unit's VTR START button, and check that:
 - The tape reels rotate.
 - The figure shown on the counter display changes.
 - The REC lamp inside the viewfinder lights.
 - The RF and SERVO displays do not appear in the display window.
- 6** Press the unit's VTR START button again. Check that the tape stops and the REC lamp inside the viewfinder goes off.
- 7** Use the lens VTR button to check the same operations as in steps **5** and **6**.
- 8** Press the RESET button, and check that "00:00:00:00" appears on the counter display.
- 9** Set the LIGHT switch to ON, and check that the display window illuminates.
- 10** Press the REW button, and after the tape has been rewound for a few seconds, press the PLAY/PAUSE button.
Check that the tape is recorded, played back and rewound properly.
- 11** Press the FF button, and check that the tape is fast forwarded properly.

Inspections prior to shooting

Inspecting the VTR unit

2. Automatic audio level adjustment function inspection

- 1 Set the AUDIO SELECT CH1 and CH2 switch to AUTO.
- 2 Set the AUDIO IN CH1 and CH2 switches to FRONT.
- 3 Point the microphone connected to the MIC IN jack at a suitable sound source, and check that the changes in the level displays for both CH1 and CH2 reflect the changes in the strength of the sound.

3. Manual audio level adjustment function inspection

- 1 Set the AUDIO IN CH1 and CH2 switches to FRONT.
- 2 Set the AUDIO SELECT CH1 and CH2 switch to MAN.
- 3 Turn the AUDIO LEVEL CH1 and CH2 controls. Check that when they are turned clockwise, the level displays increase.

4. Earphone and speaker inspection

- 1 Set the VTR SAVE/STBY switch to STBY.
- 2 Turn the MONITOR control, and check that the speaker volume changes.
- 3 Connect the earphones to the PHONES jack. Check that the sound from the speaker is muted, and that the microphone's sound is heard in the earphones.
- 4 Turn the MONITOR control, and check that the earphone volume changes.

5. Inspection using external microphones

- 1 Connect external microphones to the AUDIO IN CH1 and CH2 jacks.
- 2 Set the AUDIO IN CH1 and CH2 switches to REAR.
- 3 Set the LINE/MIC/+48V selector switch on the back panel to MIC or +48V in accordance with the external mic's power supply type.
MIC : Internal power supply mic.
+48V : External power supply mic.
- 4 Point the microphones at the sound source, and check that the changes in the audio levels displayed on the audio level meter of the display window and in the viewfinder reflect the changes in the strength of the sound.
This inspection can also be performed for each channel by connecting one of the microphones to each channel in turn.

6. Inspections relating to the time code and user's bit

- 1 Set the user's bit as required.
For details on the setting procedure, refer to "Setting the user's bit" (page 57).
- 2 Set the time code.
For details on the setting procedure, refer to "Setting the time code" (page 58).
- 3 Set the TCG switch to R-RUN.
- 4 Press the VTR START button.
Check that the figure on the counter display changes as the tape travels.
- 5 Press the VTR START button again.
Check that the tape stops and the figure shown on the counter display stops changing.
- 6 Set the TCG switch to F-RUN.
Check that the figure on the counter display changes irrespective of the tape travel.
- 7 Set the DISPLAY switch to UB.
Check that the user's bit which has been set is now displayed.

Specifications

[GENERAL]

Supply voltage:

DC 12 V (DC 11 V—DC 17 V)

Power consumption:

39 W (maximum)

33 W (during SAVE REC mode)

Ambient operating temperature:

+32°F to +104°F (0°C to +40°C)

Storage temperature:

−4°F to +140°F (−20°C to +60°C)

Ambient operating humidity:

Less than 85% (relative humidity)

Continuous operating time:

Approx. 62 minutes

(when using the 14/40W Anton/Bauer Trim pack)

Weight:

9.46 lb (4.3 kg) (main unit only)

Approx. 15.4 lb (7 kg)

(including main unit, viewfinder, lens, battery pack, tape and microphone)

Dimensions (W×H×D) (excluding grip):

5 1/4"×8 1/16"×12 3/8" (132×204×313 mm)

[CAMERA UNIT]

Pickup device:

2/3" on-chip IT-type CCD (1 million pixels)

System:

RGB 3-CCD system

Total number of pixels:

1370 (H) × 744 (V)

Number of effective pixels:

1280 (H) × 720 (V)

Optical system:

F/1.4 prism system

Built-in filters:

CC filter:

A: CROSS, B: 3200 K, C: 4300 K, D: 6300 K

ND filter:

1: CLEAR, 2: 1/4 ND, 3: 1/16 ND, 4: 1/64 ND

Quantizing:

10-bit non-linear

Sampling frequency:

74.1758 MHz

Digital signal processing:

74.1758 MHz

Horizontal drive frequency:

74.1758 MHz

Programmable gain:

Choice of 3 positions (L/M/H) from

−6/−3/0/3/6/9/12/18/24/30 dB

Super gain:

18/24/30/36 dB selectable

Shutter speed:

Preset:

1/100, 1/120, 1/250, 1/500, 1/1000, 1/2000 sec.

Synchro scan:

20.0% to 99.5%

Frame rate:

59.94/39.96/35.96/32.97/31.97/30.97/29.97/28.97/

27.97/26.97/25.97/24.98/23.98/22.98/21.98/20.98/

19.98/18.98/17.98/16.98/15.98/14.99/13.99/12.99/

11.99/10.99/9.99/8.99/7.99/6.99/5.99/4.99/3.99 Hz

Lens mount:

2/3" Bayonet type

Sensitivity:

F12 (2000 lux, 89.9% reflection, frame rate: 23.98

Hz, synchro scan: 50%)

Minimum subject brightness:

0.7 lux (with F/1.4, +36 dB, frame rate: 59.94 Hz)

Video S/N ratio:

54 dB (typ.)

Horizontal resolution:

More than 700 TV lines (center)

Registration:

Less than 0.03% (entire range) (excluding lens)

Specifications

[VTR UNIT]

VTR Video System

Sampling frequency:

Y : 74 MHz
P_B/P_R : 37 MHz

Quantizing:

8 bits

Video compression system:

DCT + variable-length code

Video compression ratio:

1/6.7

Error correction:

Reed-Solomon product code

Video recording bit rate:

100 Mbps

Video band:

Y : 20 MHz
P_B/P_R : 10 MHz

VTR Audio System

(during playback on standard player)

Sampling frequency:

48 kHz (synchronized with video)

Quantizing:

16 bits

Frequency response:

20 Hz to 20 kHz \pm 1.0 dB (at reference level)

Dynamic range:

More than 85 dB (at 1 kHz, AWTD)

Distortion:

Less than 0.1% (at 1 kHz, reference level)

Wow and flutter:

Below measurable limits

Head room:

20 dB

VTR Tape Transport System

Tape used:

1/4" DVCPRO L-size cassette tape

Tape speed:

135.28 mm/sec.

Recording/playback time:

46 minutes (using AJ-HP46LP)

32 minutes (using AJ-HP32LP)

FF/REW time:

Approx. 3 minutes (using AJ-HP46LP)

[Connector Section]

Input

AUDIO IN CH1/CH2 (XLR \times 2, 3-pin female)

LINE/MIC/MIC+48V switching type

LINE : +4 dBu

MIC : -60 dBu

MIC+48V: Phantom +48V, -60 dBu

MIC IN (XLR, 3-pin female)

-40 dBu (switchable to -50 dBu using internal switch)

Phantom +48 V supported

GENLOCK IN (BNC):

1.0 V [p-p] (tri-level sync pulse: \pm 300 mV), 75 Ω

Compliant with SMPTE296M (analog sync) standard

TC IN (BNC):

0.5 V—8 V [p-p], high impedance

Output

HD SDI OUT (BNC \times 2):

0.8 V [p-p], with switch function

AUDIO OUT (XLR, 5-pin male):

+4 dBu

TC OUT (BNC):

2.0 V [p-p], low impedance

PHONES:

Stereo mini jack

Other

DC IN (XLR, 4-pin male):

DC 12 V (DC 11 V—17 V)

DC OUT (4-pin):

DC 12 V (DC 11 V—17 V), 0.1 A (max.)

LENS (12-pin)**ECU (6-pin)****EVF (20-pin)**

Specifications

[VIEWFINDER]

(Optional accessory: AJ-HVF27P)

CRT:

2" high-resolution monochrome tube

Video system:

720P/59.94 Hz

External adjustment controls:

Controls:

BRIGHT, CONTRAST, PEAKING

Switches:

TALLY HIGH/OFF/LOW, ZEBRA ON/OFF

[ACCESSORIES]

- Shoulder strap (× 1)
- Battery terminals (including screws) for supporting Sony battery packs
- Battery holder (already installed on main unit) for Anton/Bauer battery packs

[RELATED COMPONENTS & PARTS]

Relating to power supply

Battery pack:

AU-BP402, AJ-BP490

Battery charger:

AG-B425 (for charging AU-BP402 battery pack)

AJ-B450 (for charging AJ-BP490 battery pack)

Battery case:

AU-M402H

AC adapter:

AJ-B75

Viewfinder

2.0" viewfinder:

AJ-HVF27P

Relating to external VTRs

Extension control unit:

AJ-EC3

Audio components

Microphone kit:

AJ-MC700P

Mic holder:

AJ-MH700P

Wireless mic receiver:

WX-RJ700

Camera attachment:

WX-ZJ770

Maintenance products

Cleaning tape:

AJ-CL12LP

Soft carrying case:

AJ-SC900

Rain cover:

SHAN-RC700

Panasonic

PANASONIC BROADCAST & TELEVISION SYSTEMS COMPANY
DIVISION OF MATSUSHITA ELECTRIC CORPORATION OF AMERICA

Executive Office:

3330 Cahuenga Blvd W., Los Angeles, CA 90068 (323) 436-3500

EASTERN ZONE:

One Panasonic Way 4E-7, Secaucus, NJ 07094 (201) 348-7621

Southeast Region:

1225 Northbrook Parkway, Ste 1-160, Suwanee, GA 30024 (770) 338-6835

Central Region:

1707 N Randall Road E1-C-1, Elgin, IL 60123 (847) 468-5200

WESTERN ZONE:

3330 Cahuenga Blvd W., Los Angeles, CA 90068 (323) 436-3500

Government Marketing Department:

52 West Gude Drive, Rockville, MD 20850 (301) 738-3840

Broadcast PARTS INFORMATION & ORDERING:

9:00 a.m. – 5:00 p.m. (EST) (800) 334-4881/24 Hr. Fax (800) 334-4880

Emergency after hour parts orders (800) 334-4881

TECHNICAL SUPPORT:

Emergency 24 Hour Service (800) 222-0741

Panasonic Canada Inc.

5770 Ambler Drive, Mississauga, Ontario L4W 2T3 (905) 624-5010

Panasonic de Mexico S.A. de C.V.


Av angel Urraza Num. 1209 Col. de Valle 03100 Mexico, D.F. (52) 1 951 2127

Panasonic Sales Company

Division of Matsushita Electric of Puerto Rico Inc.

San Gabriel Industrial Park, 65th Infantry Ave., Km. 9.5, Carolina, Puerto Rico 00630 (787) 750-4300

Printed in Japan
VQT9419

F0601W 



Free Manuals Download Website

<http://myh66.com>

<http://usermanuals.us>

<http://www.somanuals.com>

<http://www.4manuals.cc>

<http://www.manual-lib.com>

<http://www.404manual.com>

<http://www.luxmanual.com>

<http://aubethermostatmanual.com>

Golf course search by state

<http://golfingnear.com>

Email search by domain

<http://emailbydomain.com>

Auto manuals search

<http://auto.somanuals.com>

TV manuals search

<http://tv.somanuals.com>