

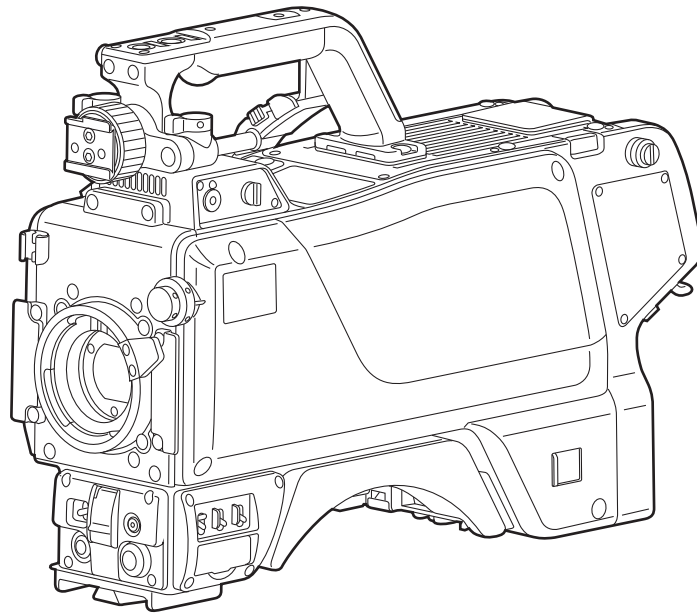
# Panasonic<sup>®</sup>

## Operating Instructions

---



Multi-Format Camera

Model No. **AK-HC3500P**



Before operating this product, please read the instructions carefully and save this manual for future use.

# For your safety

	<b>CAUTION</b> RISK OF ELECTRIC SHOCK DO NOT OPEN	
CAUTION: TO REDUCE THE RISK OF ELECTRIC SHOCK, DO NOT REMOVE COVER (OR BACK). NO USER SERVICEABLE PARTS INSIDE. REFER TO SERVICING TO QUALIFIED SERVICE PERSONNEL.		



The lightning flash with arrowhead symbol, within an equilateral triangle, is intended to alert the user to the presence of uninsulated "dangerous voltage" within the product's enclosure that may be of sufficient magnitude to constitute a risk of electric shock to persons.



The exclamation point within an equilateral triangle is intended to alert the user to the presence of important operating and maintenance (service) instructions in the literature accompanying the appliance.

For CANADA

**This class A digital apparatus complies with Canadian ICES-003.**  
Cet appareil numérique de la classe A est conforme à la norme NMB-003 du Canada.

## WARNING:

- TO REDUCE THE RISK OF FIRE OR SHOCK HAZARD, DO NOT EXPOSE THIS EQUIPMENT TO RAIN OR MOISTURE.
- TO REDUCE THE RISK OF FIRE OR SHOCK HAZARD, KEEP THIS EQUIPMENT AWAY FROM ALL LIQUIDS. USE AND STORE ONLY IN LOCATIONS WHICH ARE NOT EXPOSED TO THE RISK OF DRIPPING OR SPLASHING LIQUIDS, AND DO NOT PLACE ANY LIQUID CONTAINERS ON TOP OF THE EQUIPMENT.

## CAUTION:

TO REDUCE THE RISK OF FIRE OR SHOCK HAZARD AND ANNOYING INTERFERENCE, USE THE RECOMMENDED ACCESSORIES ONLY.

This product contains a CR Coin Cell Lithium Battery which contains Perchlorate Material — special handling may apply.  
See [www.dtsc.ca.gov/hazardouswaste/perchlorate](http://www.dtsc.ca.gov/hazardouswaste/perchlorate).

## FCC Note:

This equipment has been tested and found to comply with the limits for a class A digital device, pursuant to Part 15 of the FCC Rules. These limits are designed to provide reasonable protection against harmful interference when the equipment is operated in a commercial environment. This equipment generates, uses, and can radiate radio frequency energy, and if not installed and used in accordance with the instruction manual, may cause harmful interference to radio communications. Operation of this equipment in a residential area is likely to cause harmful interference in which case the user will be required to correct the interference at his own expense.

## Warning:

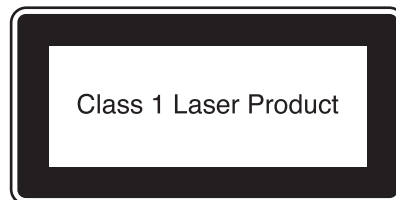
To assure continued FCC emission limit compliance, the user must use only shielded interface cables when connecting to external units. Also, any unauthorized changes or modifications to this equipment could void the user's authority to operate it.

## CAUTION:

**Invisible Laser radiation is emitted from the Optical fiber connector when this product is turned on.**  
**Don't look directly into the Optical fiber connector of this product.**

## CAUTION:


This product uses a semiconductor laser system and is a laser class 1 product complies with Radiation Performance Standards, 21CFR SUBCHAPTER J.  
Use of controls or adjustments or performance of procedures other than those specified herein may result in hazardous radiation exposure.  
Don't make any modifications.  
Don't repair by yourself.  
Refer servicing to qualified personnel.



 indicates safety information.

## IMPORTANT SAFETY INSTRUCTIONS

Read these operating instructions carefully before using the unit. Follow the safety instructions on the unit and the applicable safety instructions listed below. Keep these operating instructions handy for future reference.

- 1) Read these instructions.
- 2) Keep these instructions.
- 3) Heed all warnings.
- 4) Follow all instructions.
- 5) Do not use this apparatus near water.
- 6) Clean only with dry cloth.
- 7) Do not block any ventilation openings. Install in accordance with the manufacturer's instructions.
- 8) Do not install near any heat sources such as radiators, heat registers, stoves, or other apparatus (including amplifiers) that produce heat.
- 9) Do not defeat the safety purpose of the polarized or grounding-type plug. A polarized plug has two blades with one wider than the other. A grounding-type plug has two blades and a third grounding prong. The wide blade or the third prong are provided for your safety. If the provided plug does not fit into your outlet, consult an electrician for replacement of the obsolete outlet.
- 10) Protect the power cord from being walked on or pinched particularly at plugs, convenience receptacles, and the point where they exit from the apparatus.
- 11) Only use attachments/accessories specified by the manufacturer.
- 12) Use only with the cart, stand, tripod, bracket, or table specified by the manufacturer, or sold with the apparatus. When a cart is used, use caution when moving the cart/apparatus combination to avoid injury from tip-over. 
- 13) Unplug this apparatus during lightning storms or when unused for long periods of time.
- 14) Refer all servicing to qualified service personnel. Servicing is required when the apparatus has been damaged in any way, such as power-supply cord or plug is damaged, liquid has been spilled or objects have fallen into the apparatus, the apparatus has been exposed to rain or moisture, does not operate normally, or has been dropped.

## Contents

For your safety .....	2	Component system configuration .....	17
Overview .....	4	System connections 1 (with Multi-Format Camera) ...	19
Accessories .....	4	System connections 2 (with Buildup Unit) .....	20
Features .....	4	System connections 3 (with MSU) .....	21
Precautions for use .....	5	Status displays on viewfinder screen .....	22
Controls and their functions .....	6	Menu operations .....	23
Mounting the lens .....	11	Setting menu configuration .....	25
Adjusting the lens flange back .....	12	Table of adjustment setting ranges .....	30
Performing the viewfinder adjustments .....	13	SD card operations .....	37
Connecting a microphone .....	15	AK-HC3500 connector pin assignment .....	38
Mounting the camera on a tripod .....	16	External dimension drawings .....	39
		Specifications .....	40

# Overview

---

This unit is a new-generation multi-format HD camera that supports the 1080i format. It uses a new-generation 2/3-inch 2.2-megapixel IT-CCD [1920 (H) × 1080 (V)] imaging device. This newly developed CCD employs leading-edge processes and embodies a fresh look taken at the on-chip lens and CCD structure to improve the sensitivity, smear and dynamic range by a significant margin over previous CCDs. Furthermore, Panasonic's horizontal single-line readout CCD and high-precision signal processing combine to achieve pixel shifting and a dramatic reduction in moire within the band. Another salient feature is the newly developed digital signal processor LSI chip which is mounted in the camera head and supports 14-bit A/D conversion: This chip processes the gamma, knee, detail, matrix and other process signals, delivers the kind of multi-functionality, high quality and high stability that digital technology alone can provide, and improves the operating ease. The 14-bit A/D converter is instrumental in creating a stable wide dynamic circuit with a high signal-to-noise ratio from the dark area all the way to the highlights. Using the dynamic range stretch (DRS) function which adjusts the gamma correction optimally in real time, both the dark areas and light areas can now be reproduced with startling clarity.

With buildup applications in mind, the camera head incorporates a chassis which features a low center of gravity while at the same time it has a compact size and a low profile and it offers outstanding operating ease. The range of these buildup applications which include cable-free connections, mounting of a large-size lens and the shared use of the large-size lens and barrel lens has been greatly extended.

The amount of heat generated by the camera has also been slashed as a result of adopting a low-power-consumption design for the new circuits and a heat-dissipation design for the new chassis.

When this Multi-Format Camera is connected to a CCU (AK-HCU931, optional accessory), not only can HD signals be input and output but SD signals (D1, VBS) can be output and RET/PROMPT signals can be input as well.

The iris, pedestal, gain and other camera adjustments can be carried out by remote control using a unit such as the ROP (AK-HRP931) or MSU (AK-MSU935) available as optional accessories.

## Accessories

---

Operating Instructions .....	1
Camera No. plate (1 to 12) .....	1 set
Camera hangers .....	2
Screws (M3 × 8 mm) .....	4
Mount cap .....	1

## Features

---

### Newly developed 1080i, 2.2 million-pixel CCDs incorporated

- This achieves a high sensitivity that surpasses the standard sensitivity of F10 and is on a par with SD.
- Smear has been cut to 130 dB and the number of white marks has been drastically reduced by process improvements.
- H-CCD drive is accomplished at a frequency of 74 MHz to attain a high response and high resolution.

### Digital signal processing LSI with high picture quality featured in the camera unit

- After the process circuits, the signals undergo 14-bit, 74 MHz high-picture-quality digital processing, yielding a high reliability, more functions and enhanced operating ease as a result.

### Multi-functional enhancer

- In addition to the many functions such as chroma DTL, skin DTL and dynamic DTL, there is a choice of 8 boost frequencies. (For both HD and SD)

### Designed to achieve low noise levels of below NC15

- Power consumption can be reduced since the fan mode can be switched according to the situation in which the camera system is being applied. As a result, the heat-dissipation design has also been optimized.

### Fuller complement of control circuits and auto setup (ASU) function

- Users can select the standard mode or simplified mode.

### Peripheral components

- Ease of operation can be further improved by configuring a system where the Multi-Format Camera is used in combination with the remote operation panel (ROP) and master setup unit (MSU).

### Data trunk function

- Two RS-422 and two RS-232C circuits are provided as a standard feature. They obviate the need for the cables used with virtual control, pan-tilt head and lens control, etc.

# Precautions for use

---

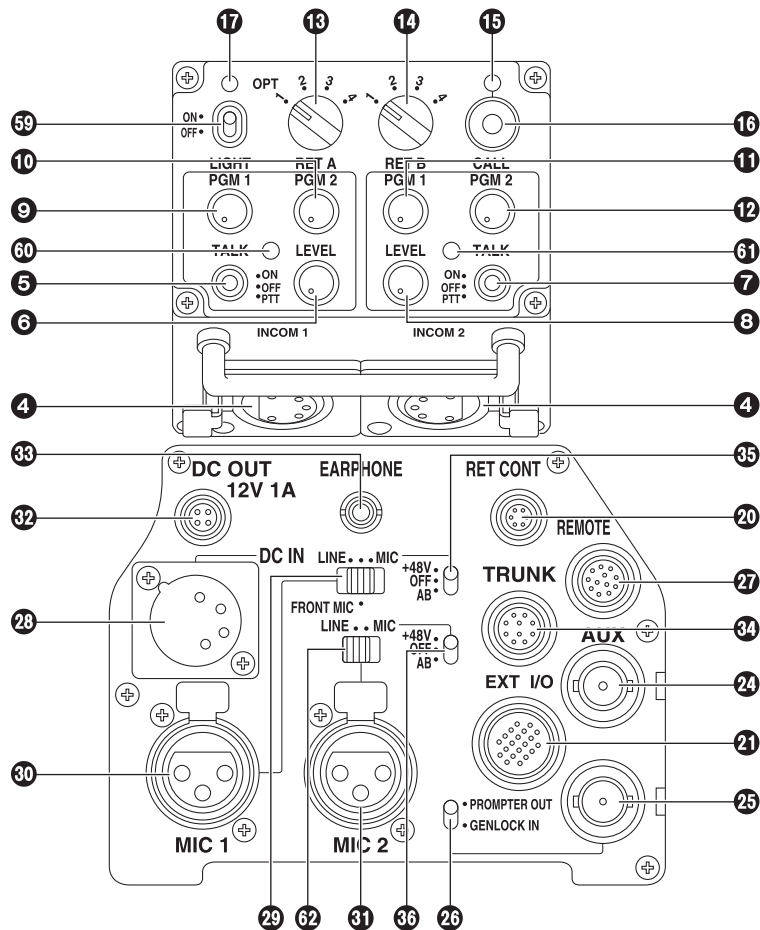
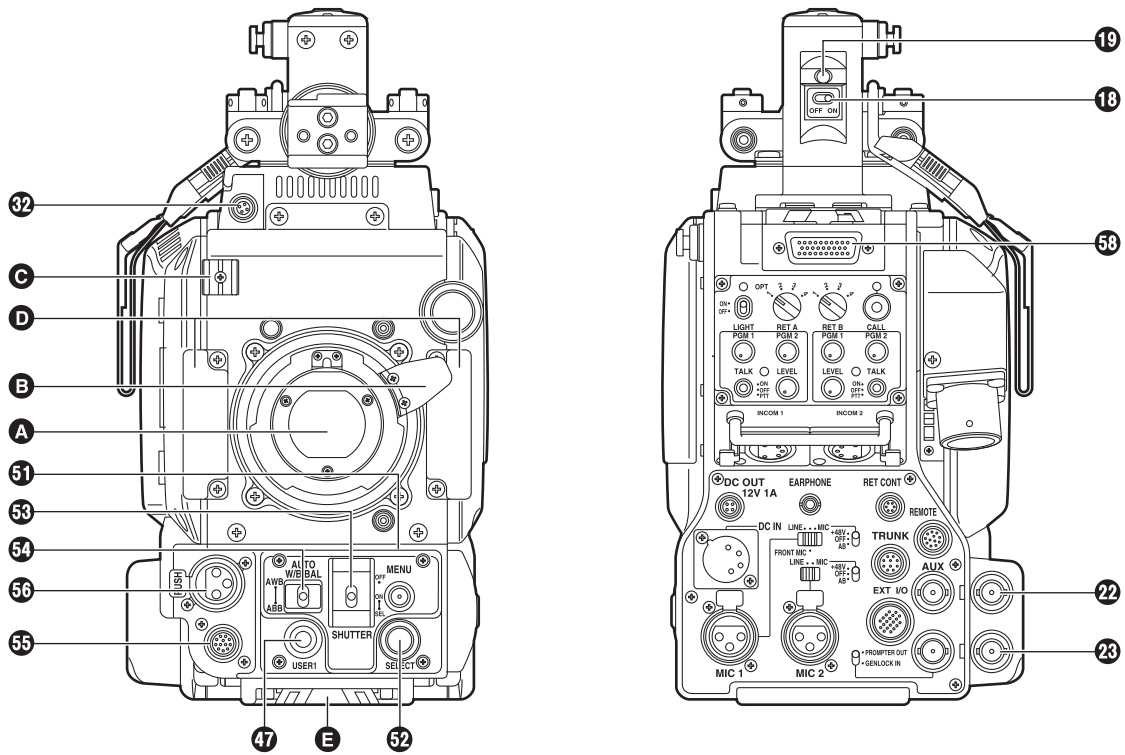
## DON'TS

- Do not attempt to disassemble the camera or other units. In order to prevent electric shock, do not remove screws or covers. There are no user-serviceable parts inside.
- Do not abuse the camera. Avoid striking, shaking, etc. The camera contains sensitive components which could be damaged by improper handling or storage.
- Do not let the lens remain uncapped when the camera is not use. If the lens is not installed, do not leave the lens mount hole uncovered.
- Do not touch the surface of the lens or prism.
- Do not use strong of abrasive detergents when cleaning the camera body.
- Do not aim the camera toward the sun, no matter whether it is turned on or not.
- Do not expose the camera to rain or moisture, and do not try to operate the equipment in wet conditions. Do not operate the camera if it becomes wet.
- Do not operate the camera outdoors during a lightning storm.
- Do not use the camera in an extreme environment where high temperatures or high humidity exist.
- Do not leave the camera turned on when not in use. Do not unnecessarily turn the camera power on and off repeatedly. Do not block the ventilation slots.
- Do not cover the port otherwise block ventilation during operation. Internal heat buildup can cause a fire.

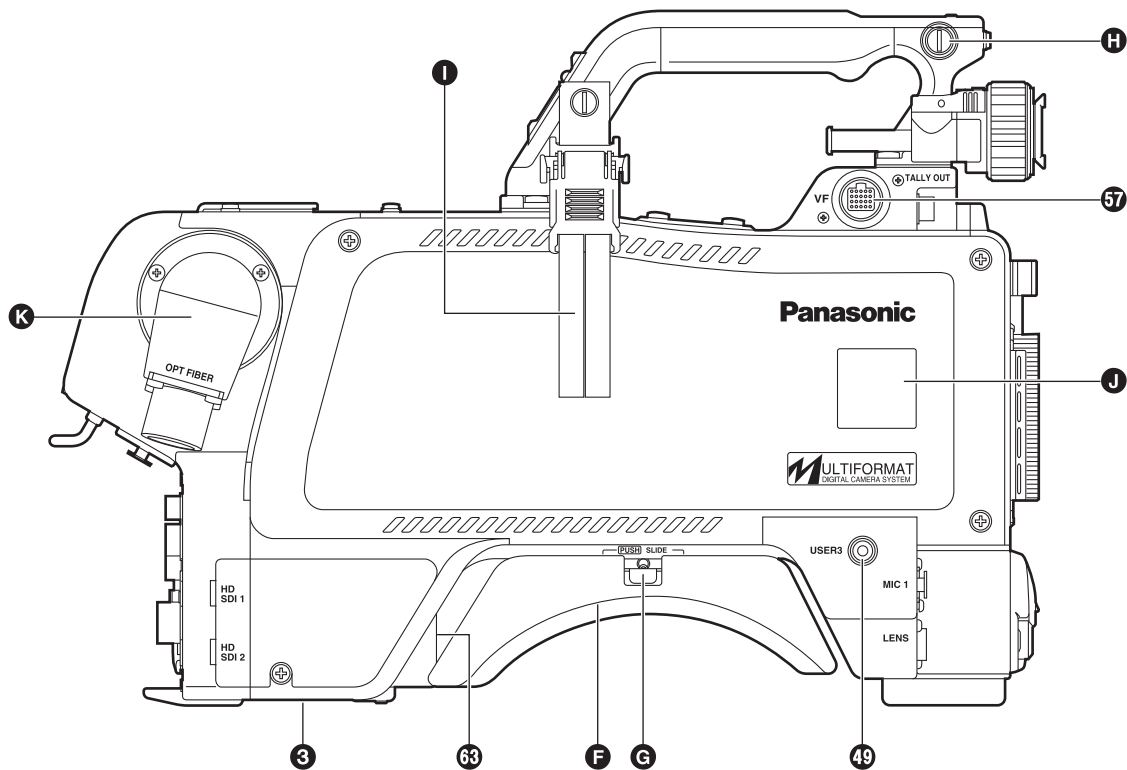
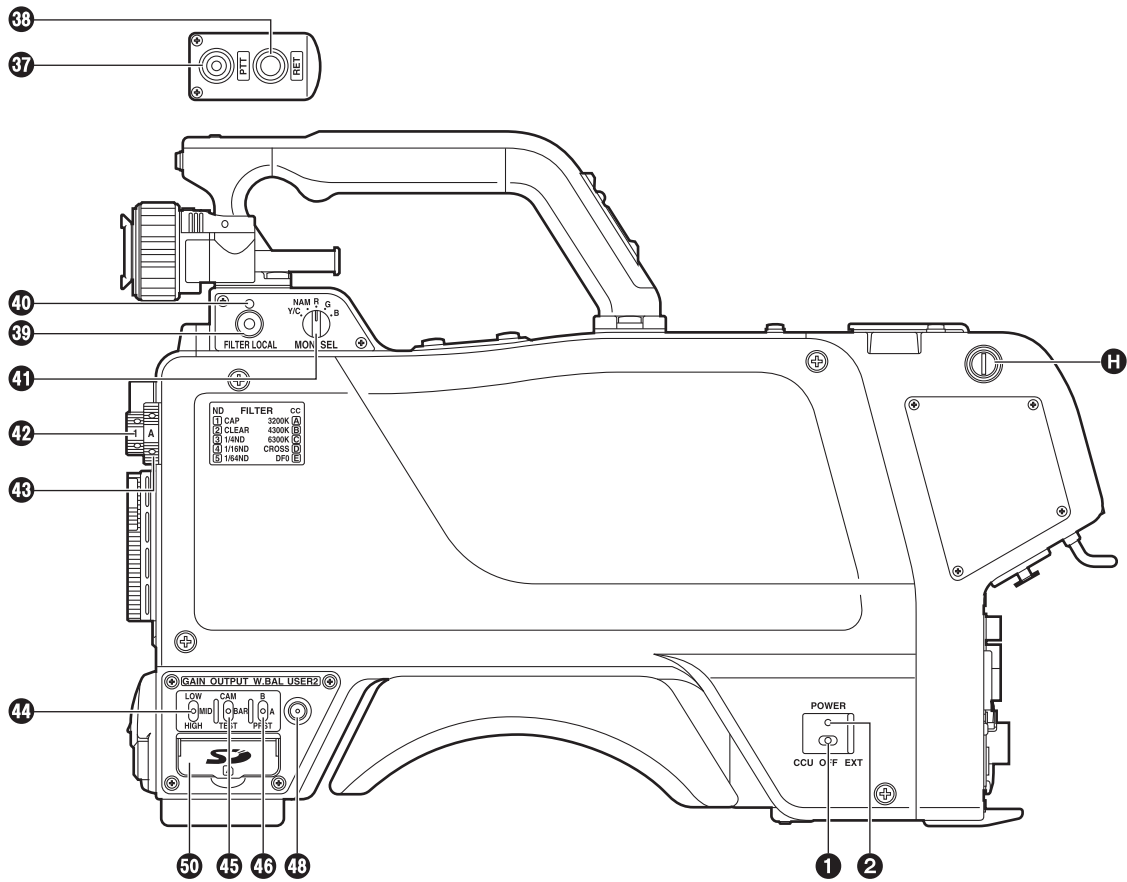
## DO'S

- Refer any servicing to qualified service personnel.
- Handle the camera with care.
- Protect the precision made lens by placing the lens cap over when the camera is not in use. If the lens is not installed, protect the surface of the prism by placing the body cap into the lens mount hole.
- Use a mild blower or lens cleaning tissue designed for coated lenses, to clean the surface of the lens or prism in the event that it should become dirty.
- Use a dry cloth to clean the camera if it is dirty. In case the dirt is hard to remove, use mild detergent and wipe gently.
- Use caution when operating the camera in the vicinity of spot lights or bright lights, as well as light reflecting objects and surfaces.
- Take immediate action if ever the camera should become wet. Turn the power off and have the unit checked by an authorized service facility.
- Follow normal safety precaution to avoid personal injury.
- Use the camera in an environment where the temperature is within 14 °F to +113 °F (–10 °C to +45 °C), and the relative humidity is less than 85 % (no condensation).
- Always turn the power off when the camera is not going to be used. Operate the camera only when there is adequate ventilation.
- Cooling fan  
There is internally provided a cooling fan. Since the cooling fan is a consumable part, replace it after about 50,000 hours of operation. (Be sure to ask the dealer for the replacement.)

# Controls and their functions



# Controls and their functions



# Controls and their functions

---

## **A Lens mount (Bayonet type)**

This is where the lens is mounted.

## **B Lens clamp lever**

The lens is inserted into the lens mount **A**, and this lever is then turned to clamp the lens in place.

## **C Lens cable, mic cable clamps**

These are used to clamp the lens cable and mic cable in place.

## **D Camera hangers (supplied)**

When the buildup unit (AK-HBU3500) is used, install these hangers to the camera with supplied screws (M3 × 8 mm).

For details, refer to the Operating Instructions for AK-HBU3500.

## **E Tripod mount**

Before securing the Multi-Format Camera to a tripod, attach the tripod adapter (SHAN-TM700) which is available as an optional accessory.

## **F Shoulder pad**

This is used when the Multi-Format Camera is to be carried on the shoulder.

## **G Slide lock release lever**

This is held down while it is used to adjust the front/back position of the shoulder pad **F**.

## **H Shoulder strap fitting**

This enables the shoulder belt to be attached.

## **I Optical cable clamp**

This enables the optical cable to be clamped.

## **J Camera No. plate holder**

This enables the accessory camera No. plate to be attached.

## **K Optical fiber connector (EDW.3K made by LEMO)**

## **1 Camera power switch [POWER]**

This is used to select the camera power input (power supplied from the CCU or from an external connector) and turn the power ON and OFF.

## **2 Power LED**

This lights up green when power is supplied to the camera.

When the camera's power switch is set to OFF, this lights up red if the CCU is connected, and it goes off if the CCU is not connected.

## **3 Power circuit breaker [BREAKER]**

This shuts off the power in the event of an overcurrent while the DC 12 V power supply is used.

To reset it, press the circuit breaker button.

## **4 INCOM connectors 1, 2 [INCOM1, INCOM2]**

The INCOM or headset plugs are connected here.

## **5 INCOM1 MIC ON/OFF switch [MIC1 TALK]**

This is the INCOM1 MIC ON/OFF selector switch.

## **6 INCOM1 level control [INCOM1 LEVEL]**

This is used to adjust the INCOM1 receive level.

## **7 INCOM2 MIC ON/OFF switch [MIC2 TALK]**

This is the INCOM2 MIC ON/OFF selector switch.

## **8 INCOM2 level control [INCOM2 LEVEL]**

This is used to adjust the INCOM2 receive level.

## **9 INCOM1 PGM1 level control [INCOM1 PGM1]**

This is used to adjust the INCOM1 and PGM1 mixing level.

## **10 INCOM1 PGM2 level control [INCOM1 PGM2]**

This is used to adjust the INCOM1 and PGM2 mixing level.

## **11 INCOM2 PGM1 level control [INCOM2 PGM1]**

This is used to adjust the INCOM2 and PGM1 mixing level.

## **12 INCOM2 PGM2 level control [INCOM2 PGM2]**

This is used to adjust the INCOM2 and PGM2 mixing level.

## **13 RET-A selector switch [RET A]**

This switch is used to select the return images to be switched by RET-A.

## **14 RET-B selector switch [RET B]**

This switch is used to select the return images to be switched by RET-B.

## **15 CALL LED**

This lights up green when the CALL switch is pressed. It also lights in response to a call from the ROP or MSU.

## **16 CALL switch [CALL]**

This lights the CALL LED on the ROP or MSU and sounds the buzzer.

## **17 OPT LED**

This indicates the camera's optical signal reception status. It normally lights up green. When any problem has occurred, it lights up red.

When a problem has occurred, clean the optical fiber connector.



# Controls and their functions

---

## 18 Back tally LED selector switch

This is used to set the back tally LED to ON or OFF.

## 19 Back tally LED

This lights when the tally signal is supplied.

This lights up red when the R tally signal is supplied, green when the G tally signal is supplied, and red when both the R and G tally signals are supplied.

## 20 RET switching control connector [RET CONT]

The cable of the RET switching box (optional accessory) is connected here for controlling the ON/OFF settings of RET1, 2, 3 and INCOM1, 2 MIC.

## 21 External I/O [EXT I/O]

This is the signal connector for interfacing with an external device.

## 22 Camera HD-SDI output1 connector (BNC) [HD-SDI1]

The camera HD-SDI images are output from this connector.

## 23 Camera HD-SDI output2 connector (BNC) [HD-SDI2]

Camera images, VF images or RET images can be selected on the camera menu to output HD-SDI signals from this connector.

## 24 Optional video connector (BNC) [AUX]

This is an auxiliary input/output connector.

Analog Y input or Prompt2 output signals can be selected. When a down-converter (optional accessory) has been installed in the camera, this connector can be used as a VBS or D1 output connector.

## 25 Genlock sync input/PROMPT output connector [PROMPT/GL]

When the GL/PROMPT selector switch is set to GL, the reference signal (tri-level SYNC or B.B.) which is used to genlock the camera is input to this connector; Genlock sync signals are input to this connector when the CCU is not connected. When it is set to Prompt1, the images input from the CCU are output from this connector.

## 26 GL/PROMPT selector switch

This is used to select the genlock input or the input/output (genlock input and PROMPT output) signals of the PROMPT output connector.

## 27 ROP connector [REMOTE]

The remote operation panel (ROP, optional accessory) is connected to this connector.

## 28 External power supply input connector [DC IN]

The input of the external DC power supply is connected to this connector. (DC 10.8 V to 17 V)

## 29 MIC1 selector switch [LINE/FRONT MIC/MIC]

This is used to switch the input signal to LINE, FRONT MIC or rear MIC.

## 30 Rear MIC1 connector [MIC1]

An audio component or microphone is connected to this connector.

## 31 Rear MIC2 connector [MIC2]

An audio component or microphone is connected to this connector.

## 32 Tally/DC output connector [TALLY/DC OUT]

The R or G tally signal is output from this connector (open collector). A DC 12 V power supply (up to 1.0 A) can also be supplied.

If the current exceeds the rating, the overcurrent protection function is activated and the power is turned off forcibly.

## 33 Earphone jack [EARPHONE]

When an earphone (optional accessory) is connected to this jack, the INCOM1 receive signal and MIC1 monitor signal can be heard.

## 34 Data trunk connector [TRUNK]

The trunk data [RS-422 × 2 or RS-232C × 2] of the CCU is input to and output from this connector.

## 35 MIC1 power selector switch

This is used to select what kind of power is to be supplied to MIC1. (The switch is set to phantom 48 V, AB 12 V or OFF.)

## 36 MIC2 power selector switch

This is used to select what kind of power is to be supplied to MIC2. (The switch is set to phantom 48 V, AB 12 V or OFF.)

## 37 Grip PTT switch [PTT]

This selector switch is used to set the INCOM1 MIC to ON or OFF.

## 38 Grip RET switch [RET]

This is used as return image selector switch.

## 39 Optical filter selector switch [FILTER LOCAL]

This is pressed to adjust the optical filter manually. When it is pressed again, the optical filter can be controlled by the ROP.

## 40 Filter local LED [LOCAL]

This LED lights when the optical filter can be adjusted manually.

# Controls and their functions

---

## 41 Monitor output selector switch [MONI SEL]

This is used to select the images (Y, NAM, R, G, B) which are to be output from the monitor output connector.

## 42 ND filter selector knob

This is used to adjust the optical filter manually when LOCAL has been selected as the filter setting.

1: CAP, 2: Through, 3: 1/4, 4: 1/16, 5: 1/64

## 43 CC filter selector knob

This is used to adjust the optical filter manually when LOCAL has been selected as the filter setting.

A: 3200K, B: 4300K, C: 6300K, D: Cross, E: DFO

## 44 Gain selector switch [GAIN]

This is used to select the gain for the camera images. It is not effective when the CCU is connected to the camera.

## 45 Camera output selector switch [OUTPUT]

This is used to select the video output (CAM, BAR or TEST).

It is not effective when the CCU is connected to the camera.

## 46 White balance memory selector switch [W.BAL]

This is used to select the white balance memory.

Data can be recorded in A or B.

The factory settings are established when the switch is set to PRST.

It is not effective when the CCU is connected to the camera.

## 47 48 49 Assignable switch [USER 1, 2, 3]

Using the setting menu, user settings can be assigned to this switch.

## 50 SD card connector [SD CARD]

The SD card (optional accessory) is inserted here.

For the recording items, refer to the "Table of the adjustment setting ranges".

(SDHC cards or SD cards with a memory size of 2 GB or more cannot be used.)

## 51 Menu switch [MENU]

When this switch is pressed, the camera's user menu is output; when it is pressed again, the menu screen display is cleared.

## 52 JOG dial button

Turning the JOG dial while the menu screen is displayed moves the cursor to the setting items. The menu settings are established by operating this dial button.

For details on the menu operations, refer to the section on the menu operations.

## 53 Electronic shutter selector switch [SHUTTER]

This is set to ON when the electronic shutter is to be used. When it is set to the SEL position, the shutter speed is switched in the preset range and the mode is also switched.

It is not effective when the CCU is connected to the camera.

## 54 AWB/ABB start switch [AUTO W/B BAL]

This is used for conducting automatic white balance adjustments (AWB) or automatic black balance adjustments (ABB).

It is not effective when the CCU is connected to the camera.

## 55 Lens connector [LENS]

The lens cable is connected to this connector.

## 56 Front MIC1 connector [MIC1]

A microphone (optional accessory) is connected here.

The power supply for the microphone can be connected from this connector. What kind power is to be supplied is set using the MIC1 power selector switch.

## 57 VF connector [VF]

The 2" viewfinder cable is connected to this connector.

## 58 Rear VF connector

This D-sub connector is used for Viewfinder interface.

## 59 Back light switch [LIGHT]

This light switch is used to make it easier to read the characters on the camera's back panel.

The brightness can be adjusted using the camera menu.

## 60 MIC1 Talk LED [TALK]

This LED lights up green when the INCOM1 MIC is operational.

It blinks when the MIC has been forcibly set to OFF by a remote control operation.

## 61 MIC2 Talk LED [TALK]

This LED lights up green when the INCOM2 MIC is operational.

It blinks when the MIC has been forcibly set to OFF by a remote control operation.

## 62 MIC2 selector switch [LINE/MIC]

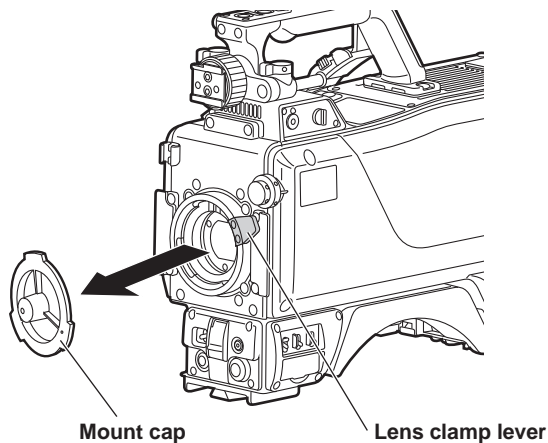
This switch is used to select LINE or MIC for the input signals.

## 63 Buildup unit I/F

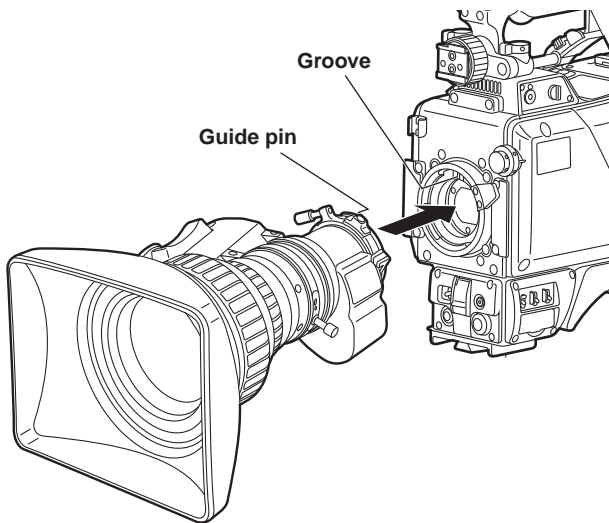
This signal interface connector is used to connect the Buildup unit.

# Mounting the lens

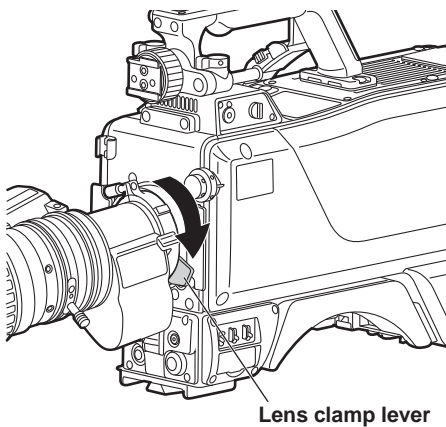
- 1** Raise the lens clamp lever, and remove the mount cap.



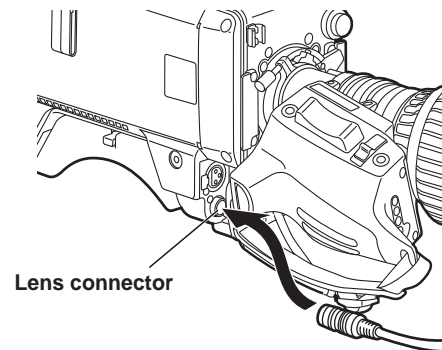
- 2** Align the guide pin on the lens with the groove at the top center of the lens mount, and mount the lens.



- 3** Lower the lens clamp lever to clamp the lens in place.



- 4** Insert the cable into the cable clamp and connect it to the lens connector.



## Notes

- For details on handling the lens, refer to the instructions that accompany the lens.
- Depending on the lens mounted, it may be necessary to perform the following lens and camera adjustments.
  1. Flange back adjustment for the lens
  2. Auto iris operation speed adjustment for the lens
  3. White shading adjustment for the lens (performed using the controls on the camera)

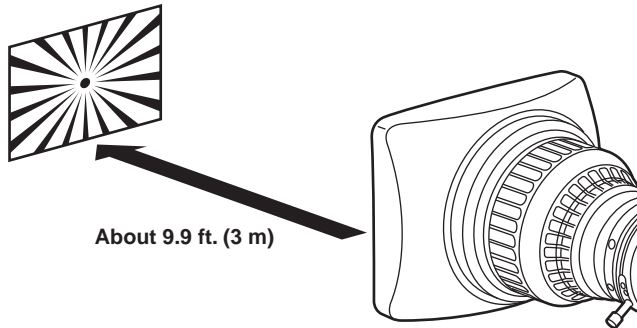
# Adjusting the lens flange back

Adjust the flange back (distance from the surface where the lens is mounted to the surface where the images are formed) if the subject fails to be precisely focused at both the telephoto and wide-angle settings when zoom operations are to be performed. Once adjusted, the flange back does not need to be adjusted again unless the lens is replaced.

## Adjustment method

### Note

For details on the adjustment method and positions of the lens parts, refer also to the instructions that accompany the lens.



- 1** Mount the lens on the camera. Do not forget to connect the lens cable at this time.
- 2** Set the lens iris to manual, and open the iris.
- 3** Set the lighting in such a way that the appropriate video output level is obtained at a distance of about 9.9 ft. (3 m) from the flange back adjustment chart. If the video level is too high, use a filter or shutter.
- 4** Loosen the screw that secures the F.f (flange focus) ring.
- 5** Set the zoom ring to the telephoto position either by manual or electrical means.
- 6** Shoot the flange back adjustment chart, and turn the distance ring to adjust the focus.
- 7** Set the zoom ring to the wide-angle position, and turn the F.f ring to adjust the focus. Take care not to move the distance ring.
- 8** Repeat steps 5 to 7 until the chart is focused properly at both the telephoto and wide-angle positions.
- 9** Tighten up the screw that secures the F.f ring.

### Note

Depending on the lens concerned, this ring may be marked as the "F.b" (flange back) ring.

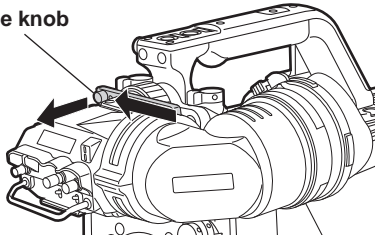
# Performing the viewfinder adjustments

(The viewfinder is an optional accessory.)

## Attaching the viewfinder

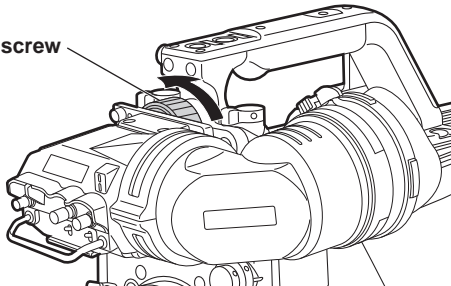
- 1 Check that the camera's POWER switch is at the OFF position.
- 2 Pull up the knob on the mounting plate and slide the plate to attach the viewfinder.

Pull up the knob



- 3 Tighten the stopper screw securely.

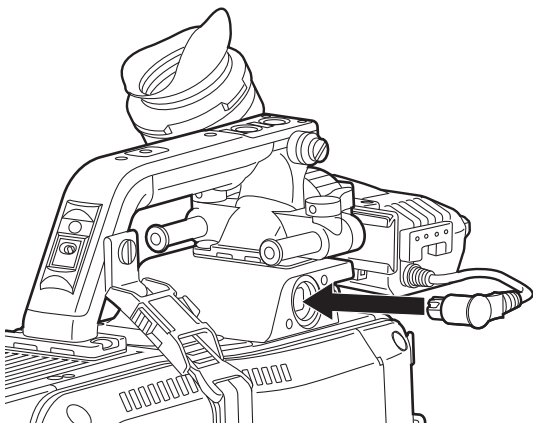
Stopper screw



- 4 Connect the plug to the VF connector.

### Note

When connecting the plug to the VF connector, ensure that it is fully and securely inserted.

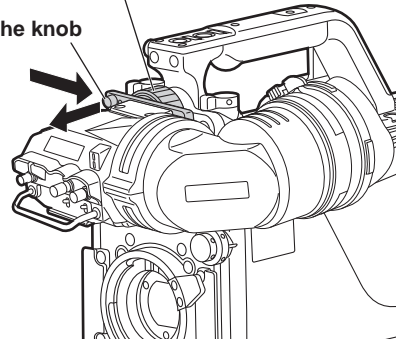


## Detaching the viewfinder

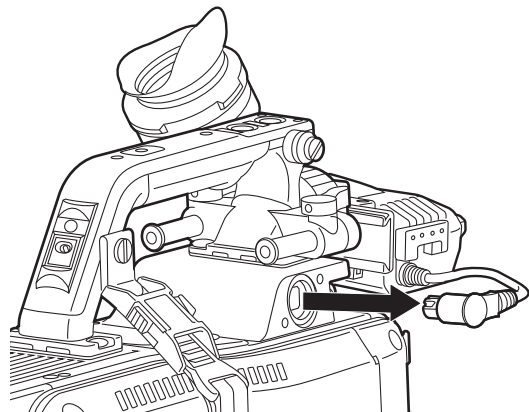
- 1 Check that the camera's POWER switch is at the OFF position.
- 2 Loosen the stopper screw, pull up the knob on the mounting plate and slide the viewfinder along and off the plate.

Stopper screw

Pull up the knob



- 3 Disconnect the plug from the VF connector.

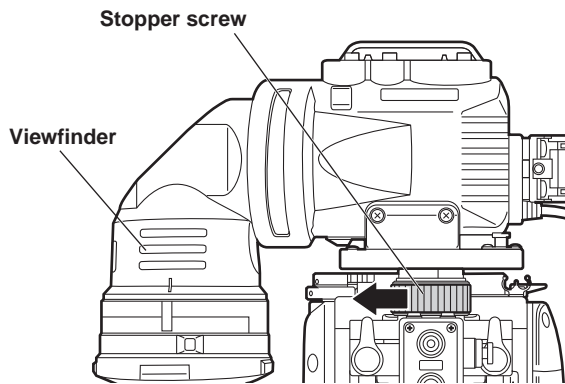


# Performing the viewfinder adjustments

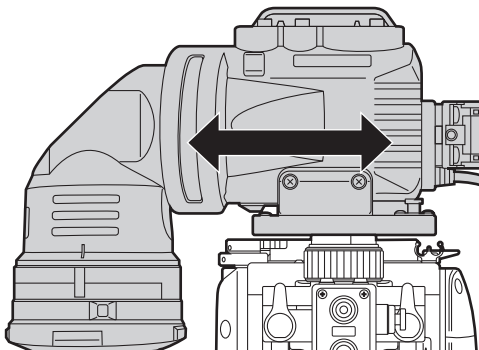
(The viewfinder is an optional accessory.)

## Left or right position adjustment

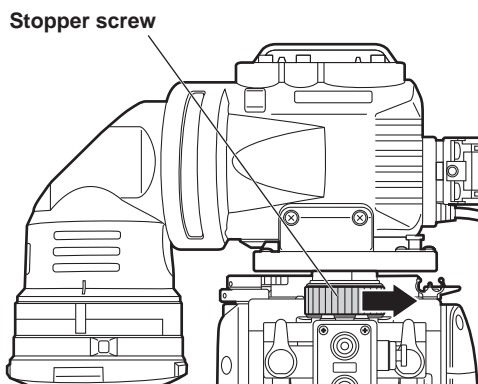
- 1 Loosen the stopper screw.



- 2 Move the viewfinder to the left or right to adjust its position.

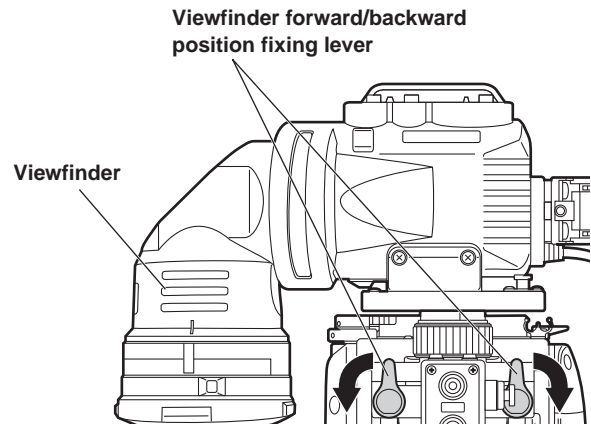


- 3 Tighten the stopper screw.

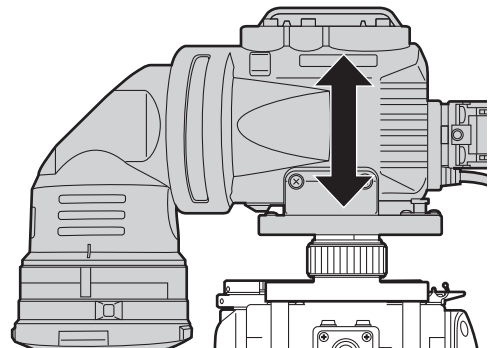


## Forward or backward position adjustment

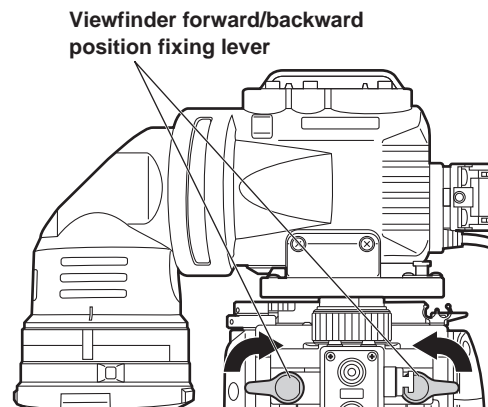
- 1 Rotate the viewfinder forward/backward position fixing lever towards the outside to release it from the locked position.



- 2 Move the viewfinder forward or backward to adjust its position.



- 3 Rotate the viewfinder forward/backward position fixing lever in the opposite direction until it locks.

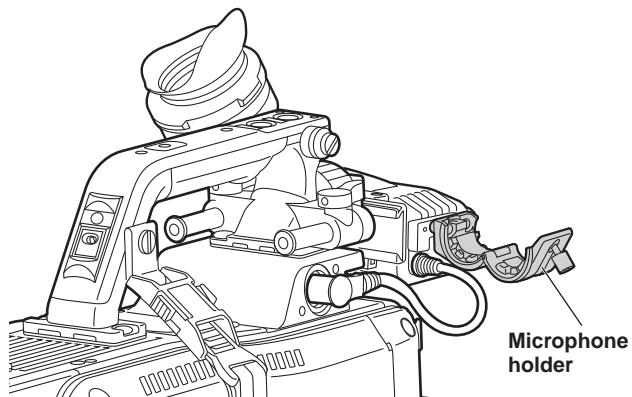


# Connecting a microphone

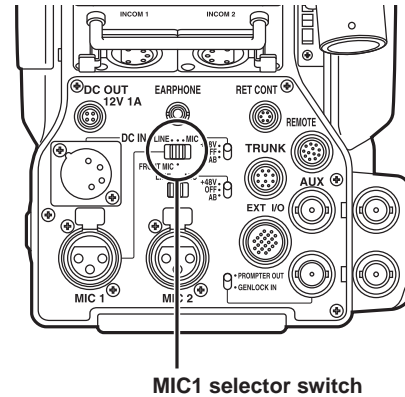
## When the microphone is mounted on the viewfinder (optional accessory) for use

The microphone of the microphone kit AJ-MC700 (optional accessory) can be mounted on the viewfinder.

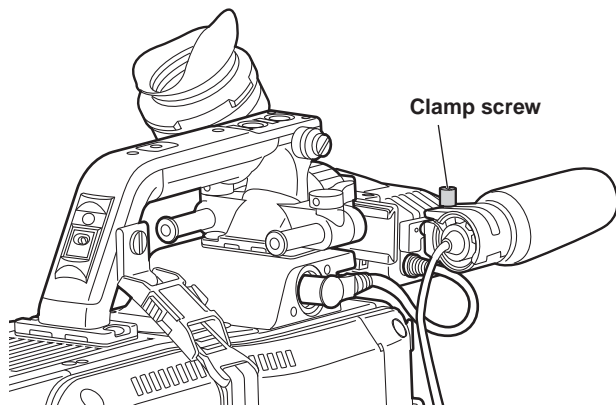
- 1 Open the microphone holder.



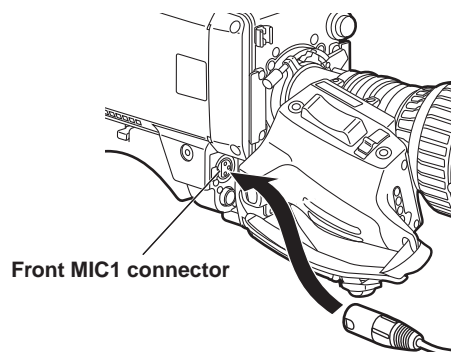
- 4 If the audio channel whose signals are to be recorded so requires, set the MIC1 selector switch to FRONT MIC.



- 2 Mount the microphone and tighten up the clamp screw.



- 3 Connect the microphone cable to the front MIC1 connector on the camera.



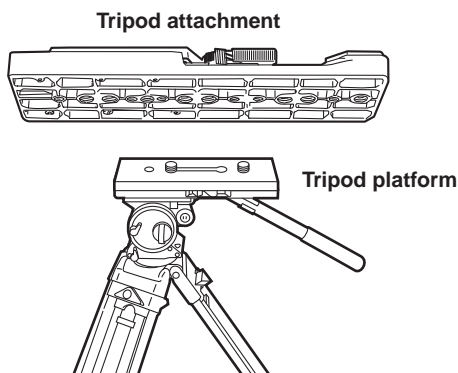
# Mounting the camera on a tripod

Use the tripod attachment, available as an optional accessory, to mount the camera on a tripod.

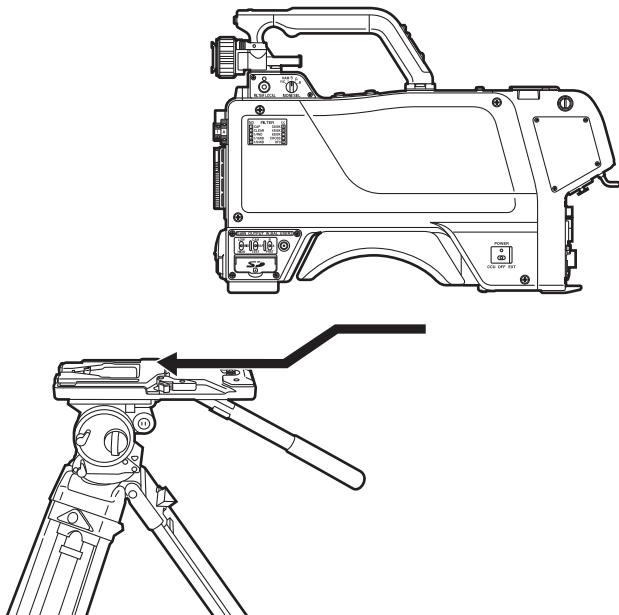
- 1 Mount the tripod attachment on the tripod.

## Note

Select the appropriate holes from among the holes on the bottom of tripod attachment depending on where the center of gravity of the camera and tripod attachment falls. If the holes selected are not appropriate, the center of gravity will not be supported, as a result of which the camera may drop off or fall over, which in turn may possibly cause injury. Check that the diameter of the holes selected for mounting matches the diameter of the screw holes of the tripod platform. If these diameters do not correspond, the tripod attachment will not be secured properly, as a result of which the camera may drop off or fall over, which in turn may possibly cause injury.

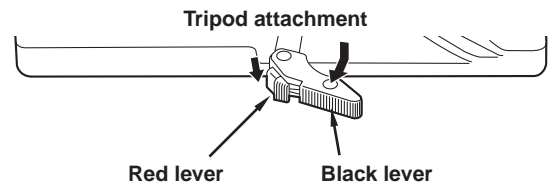


- 2 Mount the camera on the tripod attachment. Slide the camera toward the front along the groove until a click is heard. Now check that the camera is secured properly.



## Detaching the camera from the tripod attachment

While pushing the red lever, move the black lever in the direction of the arrow, and slide the camera toward the back.



## <Note>

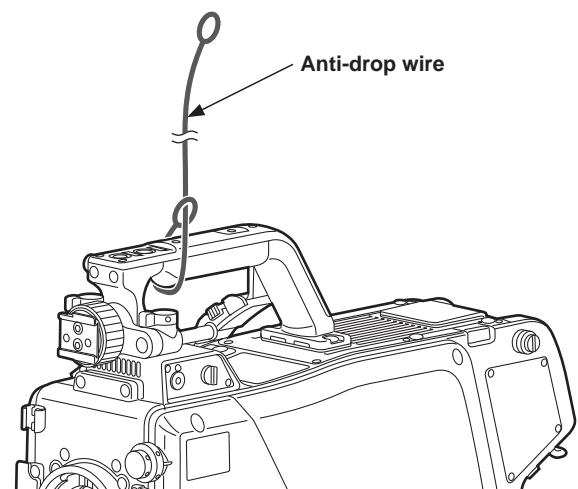
If the pin of the tripod attachment fails to return to its original position after the camera has been detached, push the red lever again and simultaneously move the black lever in the direction of the arrow to return the pin to its original position. Bear in mind that the camera cannot be mounted if the pin still remains at the center.

## Note

### Concerning the steps for ensuring that the camera does not slip or drop out of position

When installing the camera on a crane or at some other position high above the floor or ground, first check that the crane can bear the weight of the entire system including the camera, lens and connecting cables, and then use the specified tools to install the camera securely.

Be absolutely sure to ensure that the camera will not drop from its position by looping an anti-drop wire around its handle and securing the end of the wire at a point above the camera, as shown in the figure below.



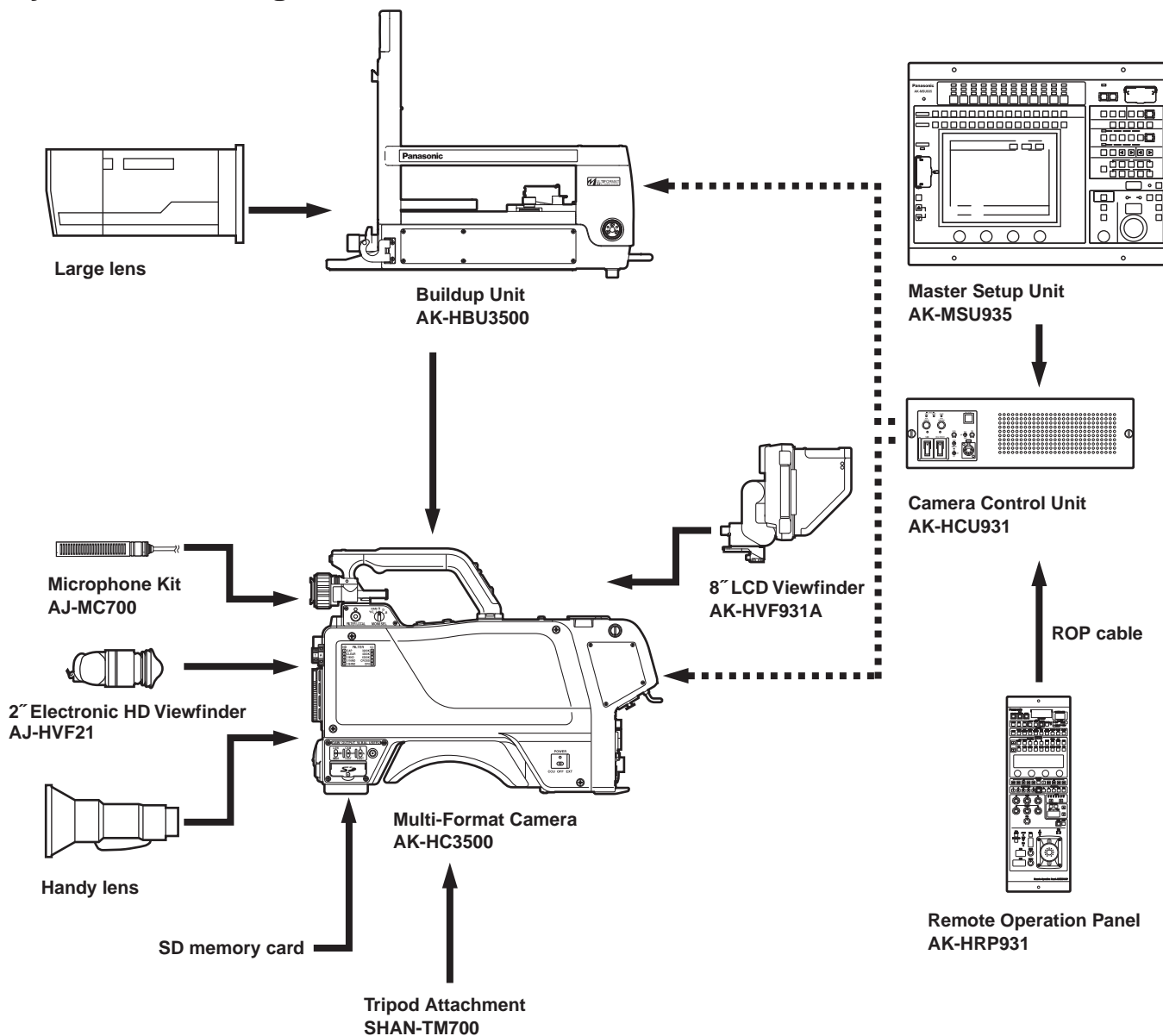


# Component system configuration

An example of the standard system consisting of the Multi-Format Camera (AK-HC3500) and peripheral components is described below and shown on the following page. The MSU (AK-MSU935) is not required unless a multiple number of cameras are to be controlled.

The basic system configuration includes the lens, Multi-Format Camera, viewfinder, camera control unit (CCU) and remote operation panel (ROP).

## System block diagram



# Component system configuration

---

## Outline of peripheral components

- 1 Camera Control Unit (CCU: AK-HCU931)**  
This is the Multi-Format Camera's camera control unit. It is connected to the Multi-Format Camera using an optical fiber cable.  
It can support HD/SD video input and output by connecting the HD/SD output unit.
- 2 Remote Operation Panel (ROP: AK-HRP931)**  
The ROP is connected to the CCU using the ROP cable, and enables the camera, CCU and lens to be operated by remote control.
- 3 Master Setup Unit (MSU: AK-MSU935)**  
When a multiple number of cameras and CCUs are used, the MSU can operate up to 12 units either separately or simultaneously by remote control. It can be operated together with the ROP.
- 4 2" Electronic HD Viewfinder (2" VF: AJ-HVF21)**  
This is the viewfinder for the Multi-Format Camera.
- 5 8" LCD Viewfinder (LCD VF: AK-HVF931A)**  
This is the LCD viewfinder for the Multi-Format Camera. It can be used at the same time as the 2" viewfinder. It can still be operated when the system is built up.
- 6 Buildup Unit (AK-HBU3500)**  
This is an adapter used to mount a large lens on the Multi-Format Camera.  
Thereby, it affords the same level of operability as that provided by a larger camera.

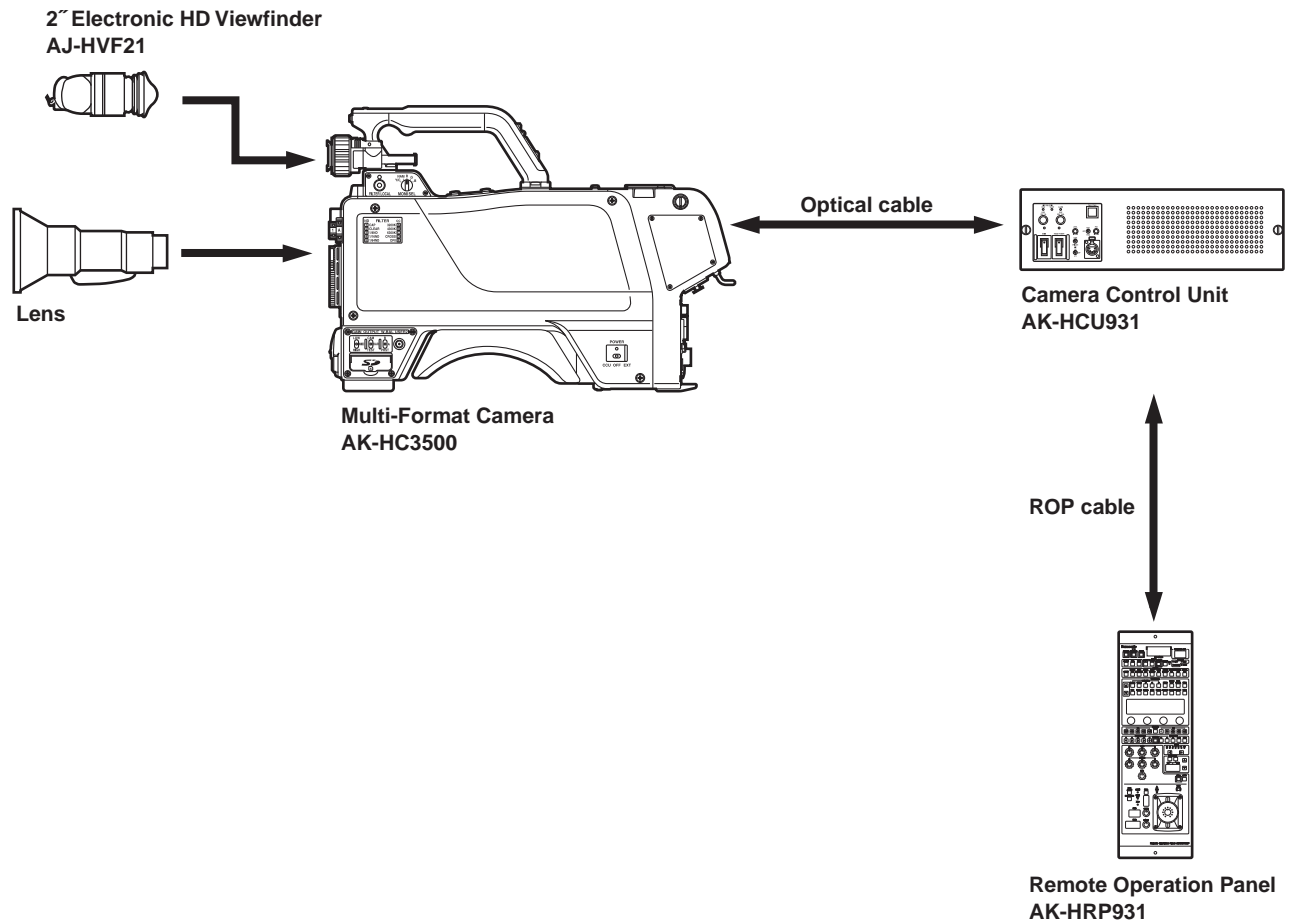
## Component connections

Refer to pages 19 to 21 for the component connections. After all the components have been connected (the monitor system may be connected afterward), set the CCU's main power switch to the ON position. Then turn on the camera's power switch.

### Note

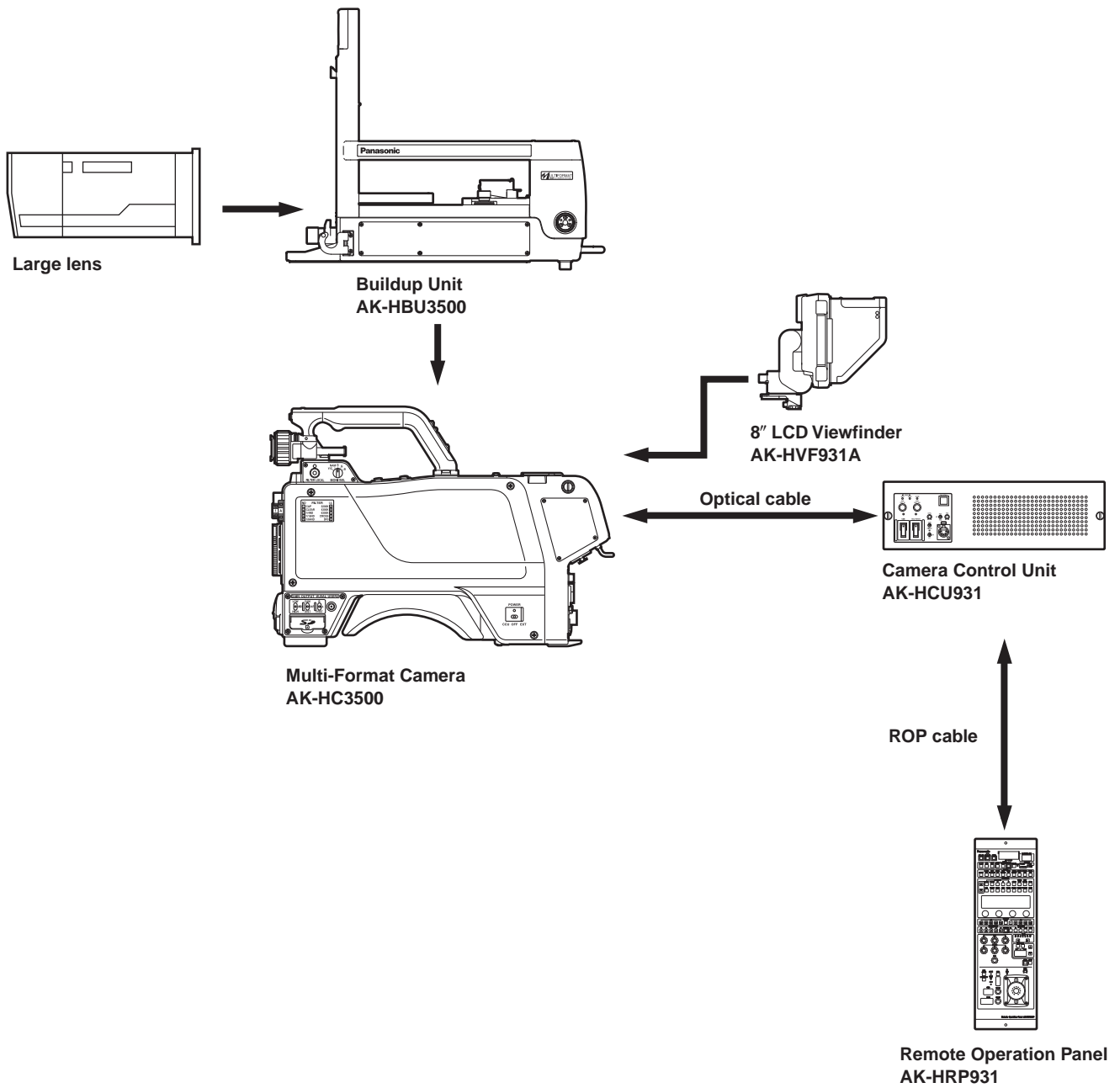
In some cases the softwares for the peripheral equipments (CCU, ROP or MSU, etc.) connected to AK-HC3500 need to be upgraded.

# System connections 1 (with Multi-Format Camera)

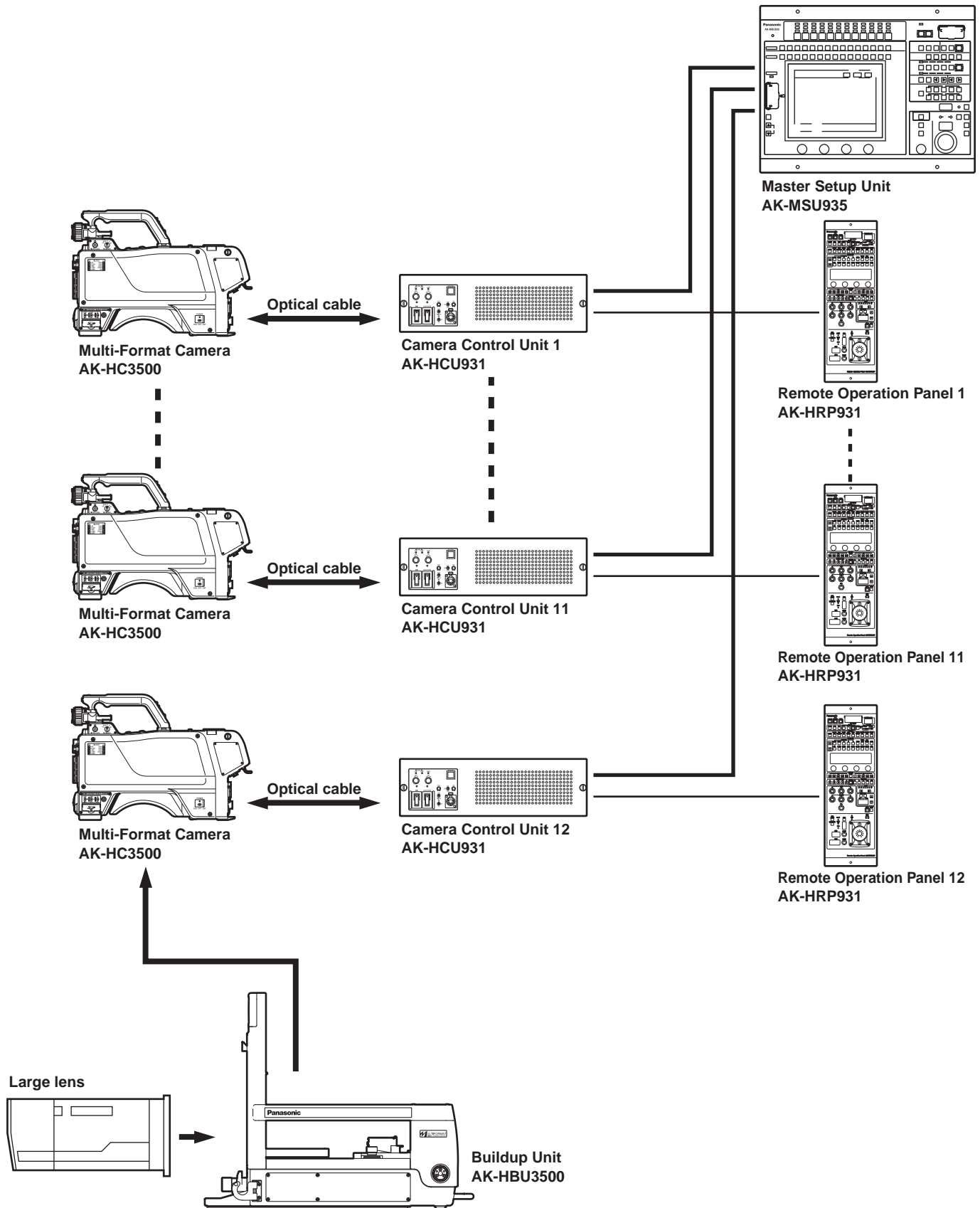


- ① Before proceeding with the connections, set the CCU power switch to the OFF position.
- ② Connect the optical cable to the Multi-Format Camera and CCU.
- ③ Connect the ROP cable to the CCU and ROP.
- ④ When the camera power switch is set to ON after the CCU main power switch has been set to ON, the camera can be controlled using the ROP.
- ⑤ Upon completion of shooting, set the CCU camera power switch and main power switch to OFF.

# System connections 2 (with Buildup Unit)



# System connections 3 (with MSU)



- A multiple number of cameras (up to 12 units) can be controlled in one location using the MSU.
- The cameras can be controlled by both the ROPs and MSU.

# Status displays on viewfinder screen

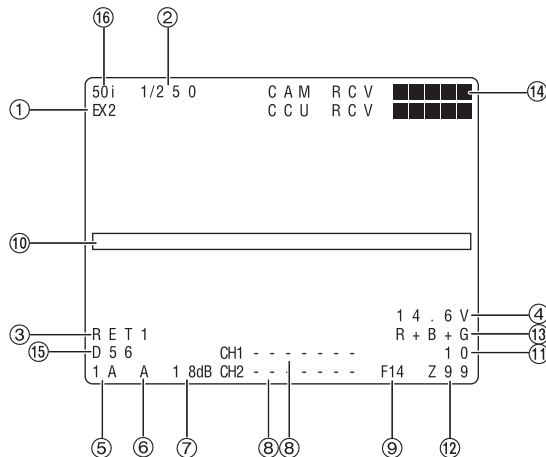
Besides the images, Multi-Format Camera settings and messages indicating operating statuses appear on the viewfinder screen.

The setting menu VF DISPLAY screen and the items which have been set to ON using the switches related to the viewfinder display appear at the top and bottom of the screen.

When a setting has been changed or an adjustment made, a message with details of the setting, the status of the adjustment process or the adjustment result can be displayed for about 3 seconds.

## ■ Display items and where the items appear

- ① Extender display
- ② Shutter speed/mode display
- ③ RET SEL display
- ④ Voltage display
- ⑤ Filter display
- ⑥ White balance memory display
- ⑦ Gain display
- ⑧ Audio CH1 and CH2 displays
- ⑨ Iris f-number display
- ⑩ Camera warning or message display
- ⑪ Focus position display
- ⑫ Zoom position display
- ⑬ MONI SEL display
- ⑭ Optical level display
- ⑮ 5600K display
- ⑯ Field frequency display



- ① **Extender display:**  
This appears when the lens extender is being used.
- ② **Shutter speed/mode display:**  
This indicates the shutter speed or shutter mode setting.
- ③ **RET SEL display:**  
This indicates the return mode selected by the grip RET switch.
- ④ **Voltage display:**  
This indicates the voltage of the DC IN currently in use.

- ⑤ **Filter display:**  
This indicates the type of filter selected.
- ⑥ **White balance memory display:**  
This indicates the automatic adjustment memory selected for the white balance.  
A: The WHITE BAL switch is set to "A".  
B: The WHITE BAL switch is set to "B".  
P: The WHITE BAL switch is set to "PRST".
- ⑦ **Gain display:**  
This indicates the video amplifier's gain setting (in dB) which has been selected by the gain selector switch.
- ⑧ **Audio CH1 and CH2 displays:**  
The audio levels are displayed here (separately for audio CH1 and audio CH2).
- ⑨ **Iris f-number display:**  
The approximate value of the iris setting (f-number) is displayed here.  
**<Note>**  
This display appears when a lens which has an f-number output is being used.
- ⑩ **Camera warning or message display:**  
A message indicating the occurrence of an alarm, the camera settings, the progress made in the adjustments, and the adjustment results appear here for about 3 seconds.

- ⑪ **Focus position display:**  
The focus position is indicated here in the form of a number.  
**<Note>**  
This display appears only when a lens which has a focus position output is being used.
- ⑫ **Zoom position display:**  
The zoom position is indicated here in the form of a number.  
**<Note>**  
This display appears only when a lens which has a zoom position output is being used.

- ⑬ **MONI SEL display:**  
This indicates the video mode of the monitor output.

- ⑭ **Optical level display:**  
This indicates the light sensing level of the optical fiber cable.

- ⑮ **5600K display:**  
This indicates the setting of the electronic color compensation.

- ⑯ **Field frequency display:**  
This indicates the field frequency at which the camera is operating. Either 50i or 60i is displayed.

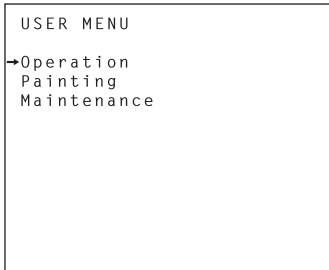
# Menu operations

## Basic setting menu operations

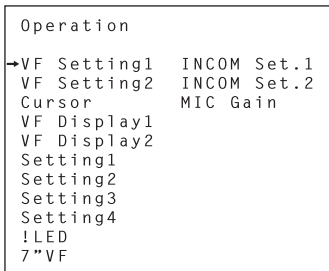
### ■ Displaying the menus

#### User menu

- 1 Press the MENU switch.  
The camera's USER menu screen now appears on the viewfinder or monitor.



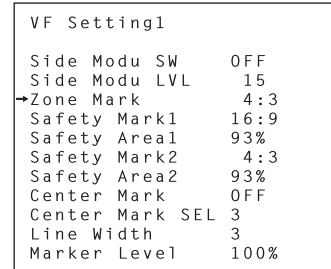
- 2 Turn the JOG dial to select the menu item.
- 3 After having selected the item, press the JOG dial to access that item's menu.



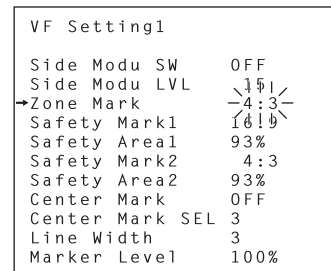
### ■ Entering the menu data

After accessing the item menus, enter the respective data.

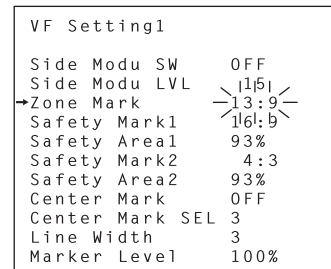
- 1 Turn the JOG dial to select the menu item to be set.



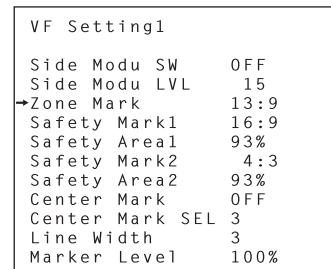
- 2 When the JOG dial is pressed, the setting of the item indicated by the arrow flashes.



- 3 Turn the JOG dial to change the setting.



- 4 When the JOG dial is pressed, the data is entered.



#### Note

Bear in mind that if, in step 3, the MENU switch is set to OFF while the setting is flashing, the setting prior to the flashing will remain unchanged.

# Menu operations

## ■ Entering the menu data (continued)

When the setting flashes one character at a time, press the JOG dial to move the flashing toward the right.

- 1 When the JOG dial is pressed, flashing moves toward the right.

```
Setting3
→RET1 ID      ABCDE
RET2 ID      IJKLM
RET3 ID      QRSTU
RET4 ID      YZ012
Gain SW LOW   0dB
Gain SW MID   6dB
Gain SW HIGH  12dB
ID Character  ABCDEFGHIJ
RET-C Select  1
RET-A+RET-B  RET-C
```



```
Setting3
→RET1 ID      ABCDE
RET2 ID      IJKLM
RET3 ID      QRSTU
RET4 ID      YZ012
Gain SW LOW   0dB
Gain SW MID   6dB
Gain SW HIGH  12dB
ID Character  ABCDEFGHIJ
RET-C Select  1
RET-A+RET-B  RET-C
```

- 2 Turn the JOG dial to change the setting.

```
Setting3
→RET1 ID      ABCDE
RET2 ID      IJKLM
RET3 ID      QRSTU
RET4 ID      YZ012
Gain SW LOW   0dB
Gain SW MID   6dB
Gain SW HIGH  12dB
ID Character  ABCDEFGHIJ
RET-C Select  1
RET-A+RET-B  RET-C
```

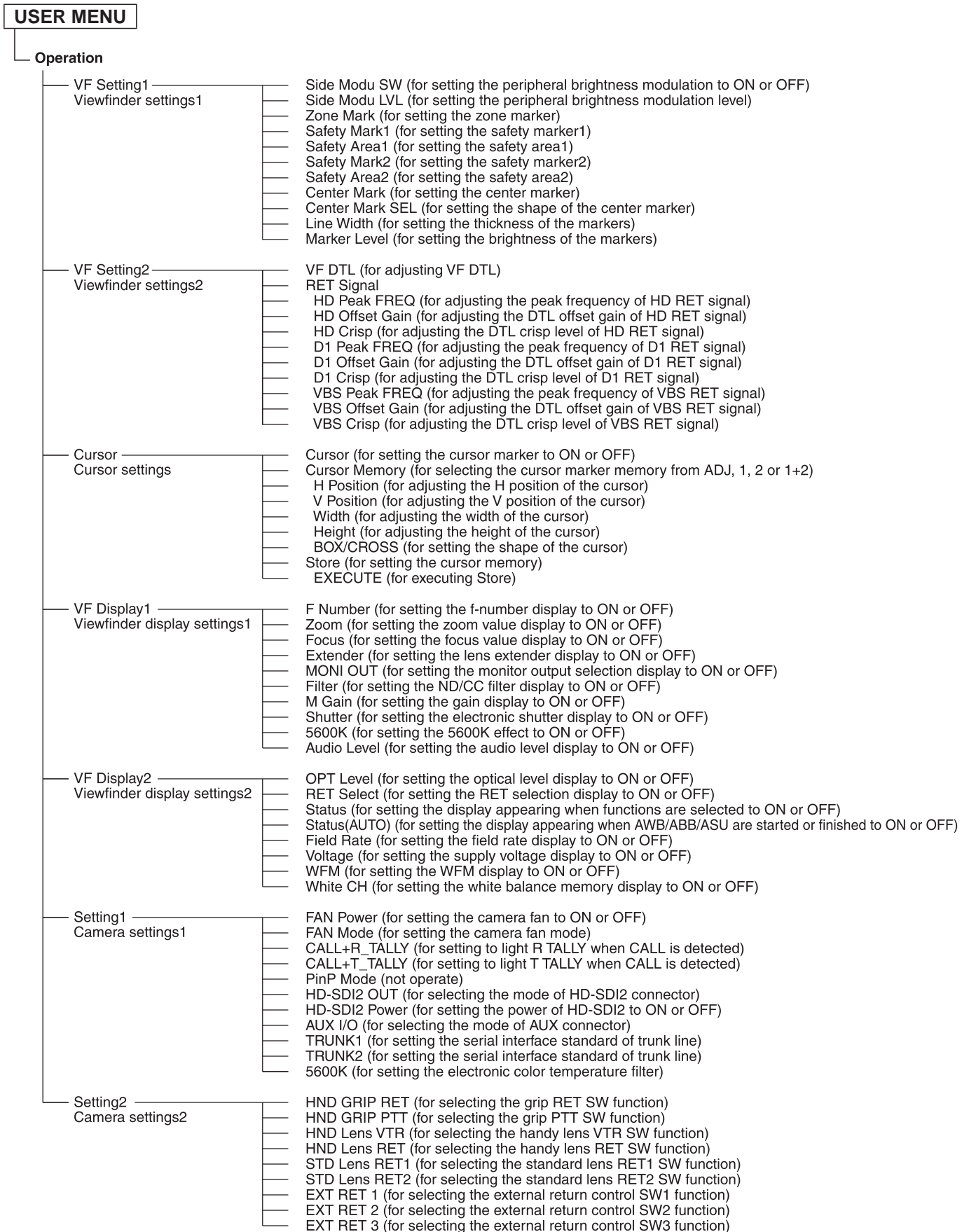
- 3 When the JOG dial is now pressed, the data is entered.

```
Setting3
→RET1 ID      AMCDE
RET2 ID      IJKLM
RET3 ID      QRSTU
RET4 ID      YZ012
Gain SW LOW   0dB
Gain SW MID   6dB
Gain SW HIGH  12dB
ID Character  ABCDEFGHIJ
RET-C Select  1
RET-A+RET-B  RET-C
```



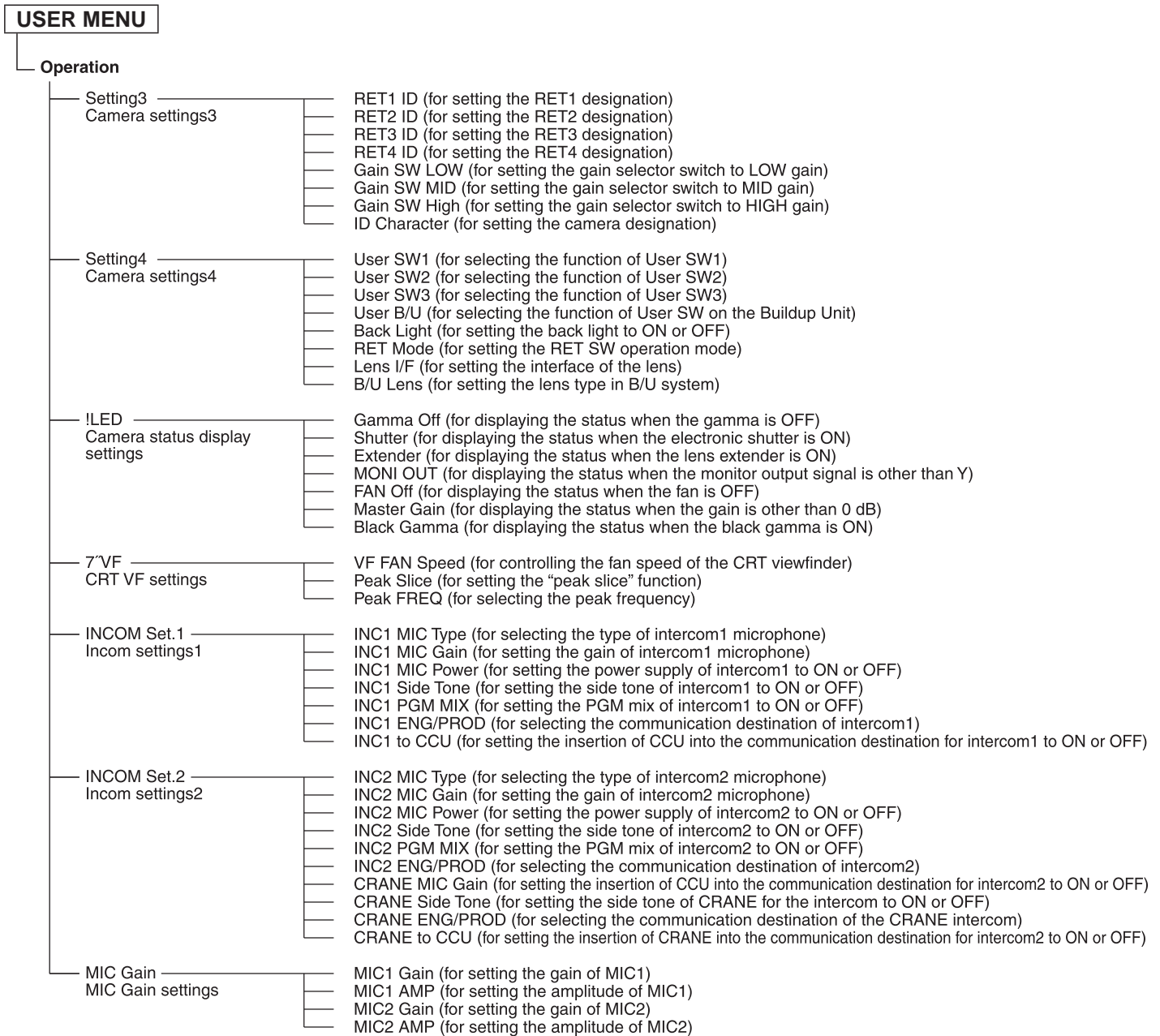
# Setting menu configuration

## Hierarchical menus



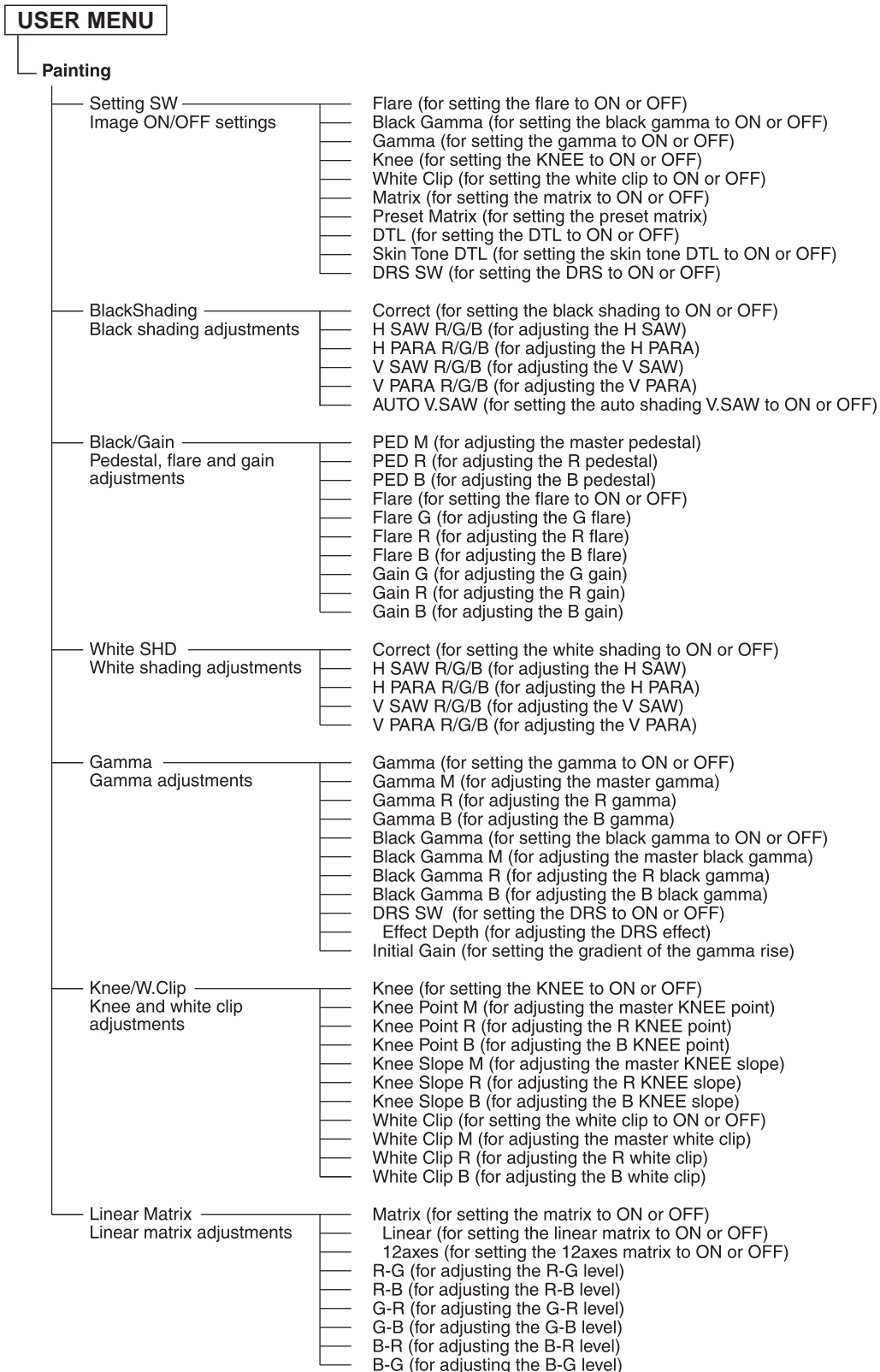
# Setting menu configuration

## Hierarchical menus



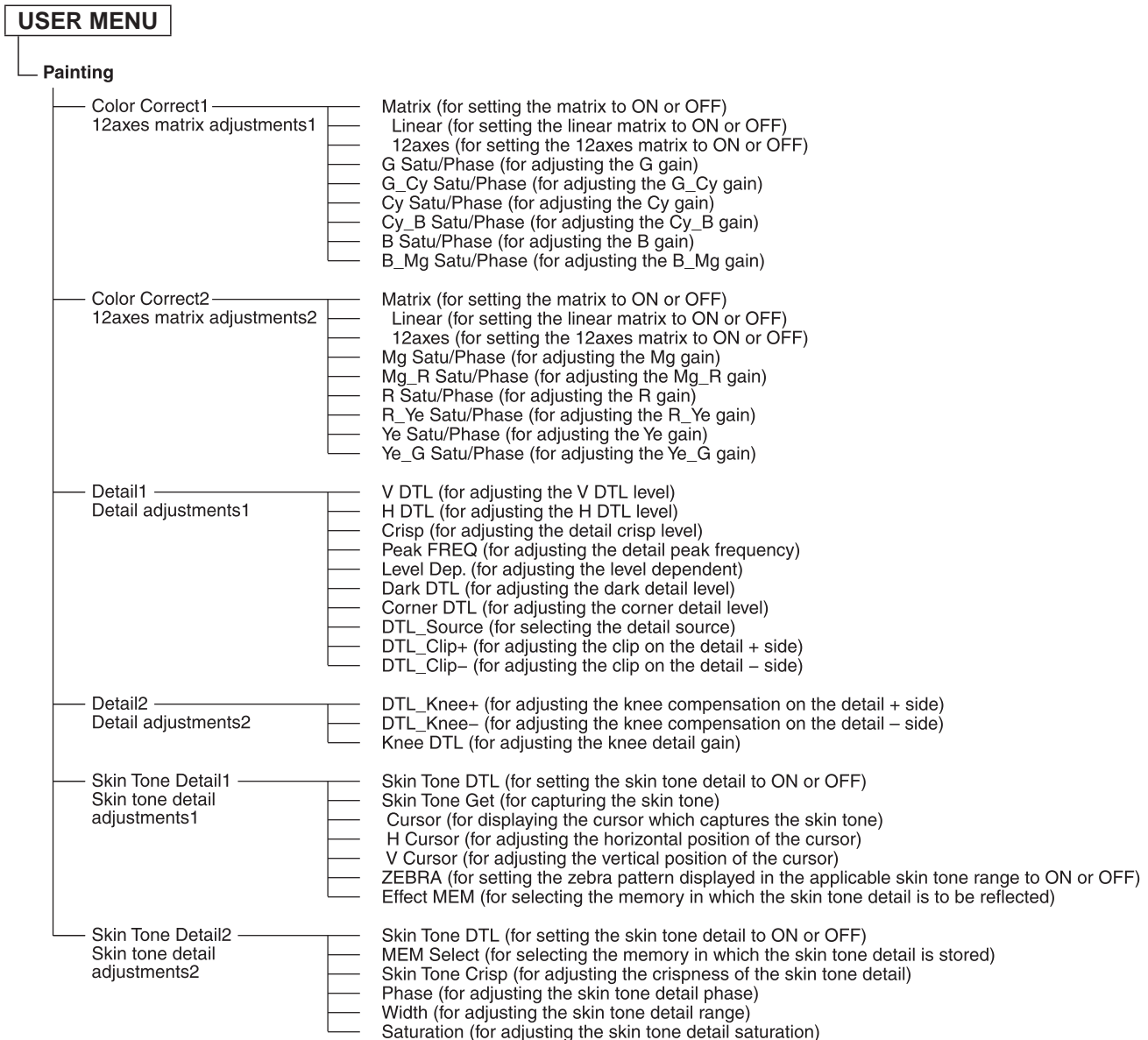
# Setting menu configuration

## Hierarchical menus



# Setting menu configuration

## Hierarchical menus



# Setting menu configuration

## Hierarchical menus

USER MENU	
Maintenance	
Date/Time	Present (for displaying the present status)
Camera's internal calendar function setting	Adjust (for setting the adjustment mode to ON or OFF)
	12H/24H (for setting the 12H/24H)
	Date (for setting the DATE)
	Time (for setting the TIME)
	Set Exe (for reflecting the adjustment values)
	Reset (for resetting the statuses which have been set)
SD Card	Mode (for selecting the operation for the SD card)
SD card operations with camera	File No. (for selecting the file number in SD card)
	EXECUTE (for executing the operation for the SD card)
Scene File	Mode (for selecting scene file operation)
Scene file operations	File No. (for selecting the scene file)
	EXECUTE (for executing the operation for the scene file)
Lens File	Mode (for selecting lens file operation)
Lens file operations	File No. (for selecting the lens file)
	File Name (for setting the lens file name)
	EXECUTE (for executing the operation for the lens file)
Lens Edit	Gain (for adjusting the gain in the lens file data)
Lens file edit	Flare (for adjusting the flare in the lens file data)
	W H SAW R/G/B (for adjusting the White H SAW in the lens file data)
	W H PARA R/G/B (for adjusting the White H PARA in the lens file data)
	W V SAW R/G/B (for adjusting the White V SAW in the lens file data)
	W V PARA R/G/B (for adjusting the White V PARA in the lens file data)
	Store? (for storing the lens file)
	Cancel?
Option board	The menu displayed differs depending on the type of option board installed.
Iris Cont.	Auto Iris (for setting the auto iris mode to ON or OFF)
Iris control setting	Window Select (for selecting the detected area of auto iris)
	Iris Level (for adjusting the auto iris level)
	Peak Ratio (for adjusting the ratio between peak and average during auto iris operations)
	A.Iris Range (for setting the range of adjusting fine auto iris level with iris volume joystick)
	A.Iris Speed (for setting the auto iris speed)
	LensExtComp.SW (for setting the ALC compensation when the lens extender is ON)
	LensExtComp.LVL (for setting the amount of the ALC compensation when the lens extender is ON)
CINE Gamma	Cinema Gamma SW (for setting the cinema gamma to ON or OFF)
Cinema gamma settings	Cinema Gamma SEL (for adjusting the cinema gamma)
	Black STR LVL (for adjusting the stretch level of the cinema gamma)
	Dynamic LVL (for adjusting the dynamic level of the cinema gamma)
	Knee Point (for adjusting the knee point of the cinema gamma)
	Knee Slope (for adjusting the knee slope of the cinema gamma)
ASU	Filter (for setting the ND/CC filter mode when auto setup)
Auto setup operations	Setup Mode (for setting the auto setup mode)
	REF File (for setting the reference file on the auto setup)
	M-PED Target (for setting the master pedestal on the auto setup)
	ASU Execute (for executing the auto setup)
Tally Guard	Tally Guard (for setting the mode that prohibits the execution of AWB, ABB and ASU at the tally ON setting)
Tally guard setting	
G/L	H Phase-Coarse (for coarsely adjusting the H phase)
G/L adjustments	H Phase-Fine (for finely adjusting the H phase)
	SD-HD Phase CRS (for coarsely adjusting the horizontal phase of the HD signals to the horizontal phase of the SD signals during B.B. genlock)
	SD-HD Phase Fine (for finely adjusting the horizontal phase of the HD signals to the horizontal phase of the SD signals during B.B. genlock)
	HD-SD Phase CRS (for coarsely adjusting the horizontal phase of the SD signals to the horizontal phase of the HD signals during HD genlock)
	HD-SD Phase Fine (for finely adjusting the horizontal phase of the SD signals to the horizontal phase of the HD signals during HD genlock)
	SD-HD V Phase (for adjusting the relative vertical phase of the SD signals and HD signals)
	SC Coarse (for coarsely adjusting the SC)
	SC Fine (for finely adjusting the SC)
	SC-H Coarse (for coarsely adjusting the SC-H phase)
	SC-H Fine (for finely adjusting the SC-H phase)
Shutter	Shutter (for setting the shutter mode to ON or OFF)
Shutter setting	SYNCHRO (for setting the synchro shutter to ON or OFF)
	Mode (for selecting the mode of the shutter)
	Speed (for setting the speed of shutter to ON or OFF)
ROM Version	CAM (for displaying the ROM version)
ROM Version display	B/U (for displaying the ROM version)
PLD Version	TG (for displaying the PLD version)
PLD Version display	SHD (for displaying the PLD version)
	MEM (for displaying the PLD version)
	RET VF (for displaying the PLD version)
	AUX (for displaying the PLD version)
	CAMSYS (for displaying the PLD version)
	OPTION (for displaying the PLD version)
Format	Present (for displaying the present system format)
System format settings	Format (for setting the system format)

# Table of adjustment setting ranges

## Operation

Menu	Item	Adjustment setting range	Initial value	Items recorded on SD cards
VF Setting1	Side Modu SW	ON, OFF	OFF	✓ No switching from the SD card to the camera settings possible while the buildup unit is connected.
	Side Modu LVL	0 to 31	31	✓ No switching from the SD card to the camera settings possible while the buildup unit is connected.
	Zone Mark	OFF, 4:3, 13:9, 14:9, 15:9, 16:9	OFF	✓ No switching from the SD card to the camera settings possible while the buildup unit is connected.
	Safety Mark1	16:9, 15:9, 14:9, 13:9, 4:3, OFF	OFF	✓
	Safety Area1	80 %, 90 %, 93 %, 100 %	93 %	✓
	Safety Mark2	16:9, 15:9, 14:9, 13:9, 4:3, OFF	OFF	✓
	Safety Area2	80 %, 90 %, 93 %, 100 %	93 %	✓
	Center Mark	ON, OFF	OFF	✓
	Center Mark SEL	1 to 4	1	✓
	Line Width	1 to 3	1	✓
	Marker Level	100 %, 75 %, 50 %	100 %	✓
VF Setting2	VF DTL	0 to 23	10	✓
	HD Peak FREQ	12.4M, 12.5M, 12.7M, 12.9M, 13.0M, 13.3M, 13.6M, 13.9M, 14.2M, 14.6M, 15.0M, 15.5M, 16.1M, 16.7M, 17.3M, 18.0M, 18.6M, 18.8M, 19.0M, 19.2M, 19.5M, 19.9M, 20.3M, 20.9M, 21.5M, 22.4M, 23.6M, 25.4M, 28.6M, 37.1M	12.4M	✓
	HD Offset Gain	0 to 5	0	✓
	HD Crisp	0 to 63	30	✓
	D1 Peak FREQ	2.0M, 2.3M, 2.7M, 3.4M, 4.5M, 6.8M, 13M	6.8M	✓
	D1 Offset Gain	0 to 5	0	✓
	D1 Crisp	0 to 63	30	✓
	VBS Peak FREQ	2.0M, 2.3M, 2.7M, 3.4M, 4.5M, 6.8M, 13M	6.8M	✓
	VBS Offset Gain	0 to 5	0	✓
VBS Crisp	0 to 63	30	✓	
Cursor	Cursor	OFF, ON	OFF	✓
	Cursor Memory	ADJ, 1, 2, 1+2	ADJ	✓
	H Position	0 to 255	127	
	V Position	0 to 255	127	
	Width	0 to 255	127	
	Height	0 to 255	127	
	BOX/CROSS	BOX, CROSS	BOX	
	Store Memory	MEM1, MEM2	MEM1	
EXECUTE	Yes?, No?	—		
VF Display1	F Number	OFF, ON	OFF	✓
	Zoom	OFF, ON	OFF	✓
	Focus	OFF, ON	OFF	✓
	Extender	OFF, ON	OFF	✓
	MONI OUT	OFF, ON	OFF	✓
	Filter	OFF, ON	OFF	✓
	M Gain	OFF, ON	OFF	✓
	Shutter	OFF, ON	OFF	✓
	5600K	OFF, ON	OFF	✓
Audio Level	OFF, ON	OFF	✓	
VF Display2	OPT Level	OFF, ON	OFF	✓
	RET Select	OFF, ON	OFF	✓
	Status	OFF, ON	OFF	✓
	Status(AUTO)	OFF, ON	OFF	✓
	Field Rate	OFF, ON	OFF	✓
	Voltage	OFF, ON	OFF	✓
	WFM	OFF, ON	OFF	✓
	White CH	OFF, ON	OFF	✓
Setting1	FAN Power	ON, OFF, AUTO	ON	
	FAN Mode	NORM, LOW	NORM	
	CALL+R_TALLY	ON, OFF	OFF	✓
	CALL+T_TALLY	ON, OFF	OFF	✓
	PinP Mode	—	—	

# Table of adjustment setting ranges

Menu	Item	Adjustment setting range	Initial value	Items recorded on SD cards
Setting1	HD-SDI2 OUT	MAIN, VF, RET	MAIN	
	HD-SDI2 Power	ACTIVE, SAVE	ACTIVE	
	AUX I/O	RET Y IN, PMT2 OUT, VBS OUT, D1 OUT	RET Y IN	
	TRUNK1	RS422, RS232C	RS422	
	TRUNK2	RS422, RS232C	RS422	
	5600K	OFF, ON	OFF	
Setting2	HND GRIP RET	A, B, PTT	A	✓
	HND GRIP PTT	PTT, A, B	PTT	✓
	HND Lens VTR	PTT, A, B, VTR	B	✓
	HND Lens RET	A, B	A	✓
	STD Lens RET1	A, B	A	✓
	STD Lens RET2	A, B	B	✓
	EXT RET 1	A, B	A	✓
	EXT RET 2	A, B	B	✓
	EXT RET 3	A, B	B	✓
Setting3	RET1 ID	Enables a name (5 characters) to be set.	RET1	✓
	RET2 ID	Enables a name (5 characters) to be set.	RET2	✓
	RET3 ID	Enables a name (5 characters) to be set.	RET3	✓
	RET4 ID	Enables a name (5 characters) to be set.	RET4	✓
	Gain SW LOW	-6 dB to 36 dB (in 3 dB increments)	0 dB	✓
	Gain SW MID	-6 dB to 36 dB (in 3 dB increments)	6 dB	✓
	Gain SW High	-6 dB to 36 dB (in 3 dB increments)	12 dB	✓
	ID Character	Enables a name (10 characters) to be set.	—	✓
Setting4	User SW1	A, B, PTT, DISP, MARK OFF	A	✓
	User SW2	A, B, PTT, DISP, MARK OFF	PTT	✓
	User SW3	A, B, PTT, DISP, MARK OFF	PTT	✓
	User B/U	A, B, PTT, DISP, MARK OFF, LENS EXT	PTT	✓
	Back Light	1 to 70	20	✓
	RET Mode	NORM, TOGGLE, SEQ.	NORM	✓
	Lens I/F	Serial, Analog	Analog	✓
	B/U Lens	BOX, PORTABLE	BOX	✓
!LED	Gamma Off	OFF, ON	OFF	✓
	Shutter	OFF, ON	OFF	✓
	Extender	OFF, ON	OFF	✓
	MONI OUT	OFF, ON	OFF	✓
	FAN Off	OFF, ON	OFF	✓
	Master Gain	OFF, ON	OFF	✓
	Black Gamma	OFF, ON	OFF	✓
7"VF	VF FAN Speed	NORM, LOW	NORM	✓
	Peak Slice	OFF, LOW, MID, HI	OFF	✓
	Peak FREQ	8 MHz, 15 MHz	8 MHz	✓
INCOM Set.1	INC1 MIC Type	DYN, ECM, CBN	CBN	
	INC1 MIC Gain	-12 dB to +12 dB (in 3 dB increments)	0 dB	
	INC1 MIC Power	ON, OFF	ON	
	INC1 Side Tone	OFF, 0 dB to -36 dB (in 3 dB increments)	OFF	
	INC1 PGM MIX	ON, OFF	ON	
	INC1 ENG/PROD	ENG, PROD	ENG	
	INC1 to CCU	ON, OFF	ON	
INCOM Set.2	INC2 MIC Type	DYN, ECM, CBN	CBN	
	INC2 MIC Gain	-12 dB to +12 dB (in 3 dB increments)	0 dB	
	INC2 MIC Power	ON, OFF	ON	
	INC2 Side Tone	OFF, 0 dB to -36 dB (in 3 dB increments)	OFF	
	INC2 PGM MIX	ON, OFF	ON	
	INC2 ENG/PROD	ENG, PROD	ENG	
	CRANE MIC Gain	-12 dB to +12 dB (in 3 dB increments)	0 dB	
	CRANE Side Tone	OFF, 0 dB to -36 dB (in 3 dB increments)	OFF	
	CRANE ENG/PROD	ENG, PROD	ENG	
CRANE to CCU	ON, OFF	ON		
MIC Gain	MIC1 Gain	60 dB, 40 dB, 20 dB	60 dB	
	MIC1 AMP	20 dB to -20 dB (in 1 dB increments)	0 dB	
	MIC2 Gain	60 dB, 40 dB, 20 dB	60 dB	
	MIC2 AMP	20 dB to -20 dB (in 1 dB increments)	0 dB	

# Table of adjustment setting ranges

## Painting

Menu	Item	Adjustment setting range	Initial value
Setting SW	Flare	ON, OFF	ON
	Black Gamma	ON, OFF	OFF
	Gamma	ON, OFF	ON
	Knee	ON, OFF	ON
	White Clip	ON, OFF	OFF
	Matrix	ON, OFF	OFF
	Preset Matrix	NORM, EBU, NTSC	NORM
	DTL	ON, OFF	ON
	Skin Tone DTL	ON, OFF	OFF
DRS SW	ON, OFF	OFF	
BlackShading	Correct	ON, OFF	ON
	H SAW R/G/B	-100 to +100	0
	H PARA R/G/B	-100 to +100	0
	V SAW R/G/B	-100 to +100	0
	V PARA R/G/B	-100 to +100	0
AUTO V.SAW	—	—	
Black/Gain	PED M	-800 to +800	0
	PED R	-800 to +800	0
	PED B	-800 to +800	0
	Flare	OFF, ON	ON
	Flare G	-100 to +100	0
	Flare R	-100 to +100	0
	Flare B	-100 to +100	0
	Gain G	-800 to +800	0
	Gain R	-800 to +800	0
Gain B	-800 to +800	0	
White SHD	Correct	OFF, ON	ON
	H SAW R/G/B	-100 to +100	0
	H PARA R/G/B	-100 to +100	0
	V SAW R/G/B	-100 to +100	0
	V PARA R/G/B	-100 to +100	0
Gamma	Gamma	ON, OFF	ON
	Gamma M	0.600 to 0.300	0.450
	Gamma R	-75 to +75	0
	Gamma B	-75 to +75	0
	Black Gamma	OFF, ON	OFF
	Black Gamma M	-32 to +32	0
	Black Gamma R	-20 to +20	0
	Black Gamma B	-20 to +20	0
	DRS SW	OFF, ON	OFF
	Effect Depth	1 to 5	5
	Initial Gain	4.0, 4.5, 5.0	4.5
Knee/W.Clip	Knee	ON, OFF	OFF
	Knee Point M	110 % to 80 %	95 %
	Knee Point R	-20 to +20	0
	Knee Point B	-20 to +20	0
	Knee Slope M	0 % to 199 %	100 %
	Knee Slope R	-31 to +31	0
	Knee Slope B	-31 to +31	0
	White Clip	OFF, ON	OFF
	White Clip M	109 % to 80 %	109 %
	White Clip R	-15 % to +15 %	0
	White Clip B	-15 % to +15 %	0



# Table of adjustment setting ranges

Menu	Item	Adjustment setting range	Initial value
Linear Matrix	Matrix	OFF, ON	OFF
	Linear	OFF, A, B	OFF
	12axes	OFF, A, B	OFF
	R-G	-31 to +31	0
	R-B	-31 to +31	0
	G-R	-31 to +31	0
	G-B	-31 to +31	0
	B-R	-31 to +31	0
Color Correct1	B-G	-31 to +31	0
	Matrix	OFF, ON	OFF
	Linear	OFF, A, B	OFF
	12axes	OFF, A, B	OFF
	G Satu	-128 to +127	0
	G Phase	-128 to +127	0
	G_Cy Satu	-128 to +127	0
	G_Cy Phase	-128 to +127	0
	Cy Satu	-128 to +127	0
	Cy Phase	-128 to +127	0
	Cy_B Satu	-128 to +127	0
	Cy_B Phase	-128 to +127	0
	B Satu	-128 to +127	0
	B Phase	-128 to +127	0
B_Mg Satu	-128 to +127	0	
B_Mg Phase	-128 to +127	0	
Color Correct2	Matrix	OFF, ON	OFF
	Linear	OFF, A, B	OFF
	12axes	OFF, A, B	OFF
	Mg Satu	-128 to +127	0
	Mg Phase	-128 to +127	0
	Mg_R Satu	-128 to +127	0
	Mg_R Phase	-128 to +127	0
	R Satu	-128 to +127	0
	R Phase	-128 to +127	0
	R_Ye Satu	-128 to +127	0
	R_Ye Phase	-128 to +127	0
	Ye Satu	-128 to +127	0
	Ye Phase	-128 to +127	0
	Ye_G Satu	-128 to +127	0
Ye_G Phase	-128 to +127	0	
Detail1	V DTL	0 to 63	22
	H DTL	0 to 63	22
	Crisp	0 to 63	10
	Peak FREQ	12.4 MHz to 37.1 MHz	12.4 MHz
	Level Dep.	0 % to 30 %	0 %
	Dark DTL	OFF, 1 to 7	OFF
	Corner DTL	0 to 31	0
	DTL_Source	2G+B+R, R, B, R+B, G, R+G, G+B, R+G+B	R+G
	DTL_Clip+	0 to 63	0
	DTL_Clip-	0 to 63	0
Detail2	DTL_Knee+	0 to 15	0
	DTL_Knee-	0 to 15	0
	Knee DTL	OFF, 1 to 39	OFF

# Table of adjustment setting ranges

---

Menu	Item	Adjustment setting range	Initial value
Skin Tone Detail1	Skin Tone DTL	ON, OFF	OFF
	Skin Tone Get	EXECUTE, CANCEL (execution items)	—
	Cursor	OFF, ON	OFF
	H Cursor	1 to 1920	960
	V Cursor	1 to 540	270
	ZEBRA	OFF, A, B, A+B	OFF
	Effect MEM	A, B, A+B	A+B
Skin Tone Detail2	Skin Tone DTL	ON, OFF	OFF
	MEM Select	A, B	A
	Skin Tone Crisp	-63 to 0 to +63	0
	Phase	0 to 359	0
	Width	0 to 255	0
	Saturation	0 to 255	0

# Table of adjustment setting ranges

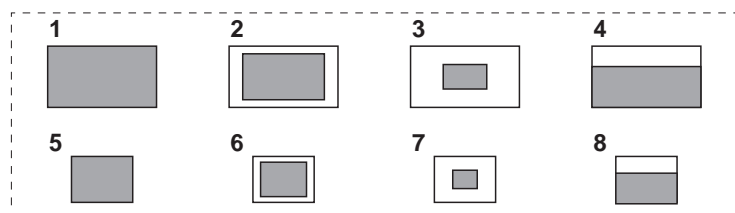
## Maintenance

Menu	Item	Adjustment setting range	Initial value
Date / Time (*1)	Present	(Display item)	(Current date/time)
	Adjust	NOP, SET	NOP
	12H, 24H	12H, 24H	12H
	Date YY	Year	(Current year)
	Date MM	Month	(Current month)
	Date DD	Day	(Current day)
	Date aaa	Day of week	(Current day of week)
	Time HH	Hours	(Current hours)
	Time NN	Minutes	(Current minutes)
	Time SS	Seconds	(Current seconds)
	Set Exe	NOP, SET	NOP
Reset	NOP, SET	NOP	
SD Card	Mode	FORMAT, LOAD, STORE	LOAD
	File No.	1 to 8	1
	EXECUTE	Yes?, No?	—
Scene File	Mode	LOAD, STORE	LOAD
	File No	1 to 8	1
	EXECUTE	Yes?, No?	—
Lens File	Mode	LOAD, STORE	LOAD
	File No	01 to 16	01
	FileName	Enables a name (8 characters) to be set.	(Filename)
	EXECUTE	Yes?, No?	—
Lens Edit	Gain R	-800 to +800	0
	Gain G	-800 to +800	0
	Gain B	-800 to +800	0
	Flare R	-100 to +100	0
	Flare G	-100 to +100	0
	Flare B	-100 to +100	0
	W H SAW R/G/B	-100 to +100	0
	W H PARA R/G/B	-100 to +100	0
	W V SAW R/G/B	-100 to +100	0
	W V PARA R/G/B	-100 to +100	0
	Store?	(execution items)	—
	Cancel?	(execution items)	—
Option (*2)	—	—	—
Iris Cont.	Auto Iris	ON, OFF	OFF
	Window Select	1 to 8 (*3)	1
	Iris Level	0 to 100	60
	Peak Ratio	0 to 100	50
	A.Iris Range	NORMAL, (3/4), (2/4), (1/4)	NORMAL
	A.Iris Speed	1 to 25	15
	LensExtComp.SW	NORMAL, ON	NORMAL
	LensExtComp.LVL	-40 to +40	0

\*1: If the date and time have not been set properly, the time may not be updated properly.  
The clock has an error which may cause it to gain or lose up to one minute per month.

\*2: The menu displayed differs depending on the type of option board installed.

\*3: The types of windows which can be selected are as shown in the figure below.



# Table of adjustment setting ranges

Menu	Item	Adjustment setting range	Initial value
CINE Gamma	Cinema Gamma SW	NORMAL, ON	NORMAL
	Cinema Gamma SEL	VIDEO_REC, FILM_REC	VIDEO_REC
	Black STR LVL	0 to 30	30
	Dynamic LVL	200 %, 300 %, 400 %, 500 %	200 %
	Knee Point	+30 to +90	+30
	Knee Slope	150, 200, 250, 300, 350, 400, 450, 500, 550, 600	150
ASU	Filter	REF, Current	REF
	Setup Mode	FULL (standard), EASY (simplified)	FULL
	REF File	Factory, User1, User2, User3	Factory
	M-PED Target	0.0 % to 7.5 %	5.0 %
	ASU Execute	(execution items)	—
Tally Guard	Tally Guard	OFF, ON	OFF
G / L	H Phase-Coarse	-60 to +60 (during HD signal genlock) -120 to +120 (during SD signal genlock)	0
	H Phase-Fine	-45 to +45	0
	SD-HD Phase CRS	-4 to +4	0
	SD-HD Phase Fine	-99 to +99	0
	HD-SD Phase CRS	-7 to +8	0
	HD-SD Phase Fine	-99 to +99	0
	SD-HD V Phase	SD, HD	SD
	SC Coarse	1 to 8	1
	SC Fine	-255 to +255	0
	SC-H Coarse	1 to 8	1
Shutter	Shutter	OFF, ON	OFF
	SYNCHRO	OFF, ON	OFF
	Mode	Fixed at SHUTTER	SHUTTER
	Speed	When SHUTTER is ON, SYNCHRO is OFF 100/125/250/500/1000/2000	When SHUTTER is ON, SYNCHRO is OFF: 100
		When SHUTTER is ON, SYNCHRO is ON 60.9 Hz to 99.8 Hz	When SHUTTER is ON, SYNCHRO is ON: 60.9
ROM Version	CAM	(Display item)	(Current value)
	B, U (*4)	(Display item)	(Current value)
PLD Version	TG	(Display item)	(Current value)
	SHD	(Display item)	(Current value)
	MEM	(Display item)	(Current value)
	RET VF	(Display item)	(Current value)
	AUX	(Display item)	(Current value)
	CAMSYS	(Display item)	(Current value)
	OPTION	(Display item)	(Current value)
Format	Present	(Display item)	(Current value)
	Format	50 i, 59.94 i, 23.98p, 24p, 25p, 29.98p, 30p	59.94 i

\*4: This is displayed when the buildup unit is connected.

# SD card operations

---

These operations are performed on the SD Card page on the Maintenance menu.  
The VF display settings and camera function settings on the Operation menu can be recorded on the SD card.  
For details on what items are stored in the memory of the SD card, refer to "Table of the adjustment setting ranges."

SD Card	
→Mode	FORMAT
File No.	3
EXECUTE	No?

### Mode: SD card operation mode setting

Select the SD card operation here.

Setting range: FORMAT, LOAD, STORE

### FILE No.: File selection

Select the number of the file to be loaded or stored here.

Setting range: 1 to 8

- The files on the SD card have filenames which range from "3500cm01.dat" for File No.1 to "3500cm08.dat" for File No.8.
- The SD card may not work properly if files have been edited using a personal computer or other device.

### EXECUTE

The item set in "Mode" is executed here.

When the arrow cursor (→) is moved to EXECUTE and the JOG dial button is pressed, "No?" appears.

When the dial button is turned, "Yes?" appears.

When the dial button is pressed while "Yes?" is displayed, the selected operation is executed.

Conversely, when it is pressed while "No?" is displayed, the selected operation is canceled.

# AK-HC3500 connector pin assignment

CN# in the Instructions

**K** OPT FIBER EDW.3K.93C.TLC (LEMO)

Pin#	Signal
01	OPT-TX (Mark Band = IN)
02	OPT-RX (Mark Band = OUT)
1	STBYINCOM-T
2	STBYINCOM-R
3	AC220V(C)
4	AC220V(H)

**4** INCOM XLR5-31F77 Female (ITT Cannon)

Pin#	Signal
1	TALK_GND
2	TALK
3	RECEIVE_GND
4	RECEIVE
5	PGM

**20** RET CONT HR10A-7R-6SC (Hirose)

Pin#	Signal
1	INCOM1_MIC_ON
2	INCOM2_MIC_ON
3	AGND
4	RET_CNT3
5	RET_CNT1
6	RET_CNT2

**21** EXT I/O HR10A-13R-20SC (Hirose)

Pin#	Signal
1	BU_CRN_DATA_H
2	BU_CRN_DATA_C
3	BU_CRN_CONT_H
4	BU_CRN_CONT_C
5	DGND
6	CRN_INC_R
7	CRN_INC_R_GND
8	CRN_INC_T
9	CRN_INC_T_GND
10	CRN_PGM1_LVL
11	CRN_PGM2_LVL
12	
13	
14	G_TALLY_VF
15	R_TALLY_VF
16	T_TALLY_VF
17	CRANE_ACT
18	EXT+12V
19	
20	UNREG_GND

**22/23** HD SDI BNC(75)J-H.FLJ-BPA(40) (Hirose)

Pin#	Signal
1	SDI_OUT
2	SDI_OUT_GND

**24** AUX BNC(75)J-PL72J-BPA (Hirose)

Pin#	Signal
1	AUX
2	AUX_GND

**25** PROMPT/GL BCJ-R/1 (Canare)

Pin#	Signal
1	PROMPT/GL_IN
2	PROMPT_GND/GL_IN_GND

**27** REMOTE HA10A-10R-10SC (Hirose)

Pin#	Signal
1	CAM_DATA(H)
2	CAM_DATA(C)
3	CAM_CONT(H)
4	CAM_CONT(C)
5	
6	
7	
8	
9	RCOP+12V
10	UNREG_GND

CN# in the Instructions

**28** DC IN HA16RA-4P (Hirose)

Pin#	Signal
1	EXT_GND
2	
3	
4	EXT+12V

**30** MIC1 HA16PRM-3SB(05) (Hirose)

Pin#	Signal
1	MIC1_GND
2	MIC1(H)
3	MIC1(C)

**31** MIC2 HA16PRM-3SB(05) (Hirose)

Pin#	Signal
1	MIC2_GND
2	MIC2(H)
3	MIC2(C)

**32** TALLY/DC HR10A-7R-4SC (Hirose)

Pin#	Signal
1	UNREG_GND
2	R_TALLY_OUT (contact output)
3	G_TALLY_OUT (contact output)
4	SCRIPT+12V

**33** EARPHONE HSJ0927-0160209 (Hoshiden)

Pin#	Signal
1	PHONE_GND
2	PHONE_OUT
3	

**34** TRUNK HR10A-10R-12SC (Hirose)

Pin#	Signal
1	CMD-OUT0(H)
2	CMD-OUT0(C)
3	CMD-IN0(H)
4	CMD-IN0(C)
5	CMD-OUT1(H)
6	CMD-OUT1(C)
7	CMD-IN(H)
8	CMD-IN1(C)
9	
10	DGND
11	
12	

**35** LENS HR10A-10R-12SC (Hirose)

Pin#	Signal
1	LENS_RET SW
2	LENS_VTR SW
3	AGND
4	ENF_SERVO
5	IRIS_CONT
6	LENS+12V
7	IRIS_POSI
8	H_IRIS_A-R
9	EXTENDER
10	ZOOM_POSI
11	FOCUS_POS/L_RXD
12	S_IRIS_A-R/L_TXD

**36** FRONT MIC HA16PRM-3S(05) (Hirose)

Pin#	Signal
1	FRONT_MIC_GND
2	FRONT_MIC(H)
3	FRONT_MIC(C)

CN# in the Instructions

**37** VF HR12-14RA-20SC (Hirose)

Pin#	Signal
1	VF+12V
2	VF+12V
3	UNREG_GND
4	VF-PBOUT_GND
5	VF-PBOUT_GND
6	VF-YOUT
7	VF-YOUT_GND
8	VF_CLK
9	VF_WR
10	VF_DATA
11	UNREG_GND
12	ZEBRA_SW
13	PEAKING
14	TA_BOX_ACT
15	VF-PROUT
16	VF-PBOUT
17	VF_SW3
18	FRONT_VR
19	TA_TALLY
20	F_GND

**58** REAR VF CN D02-29S-N-F0 (JAE)

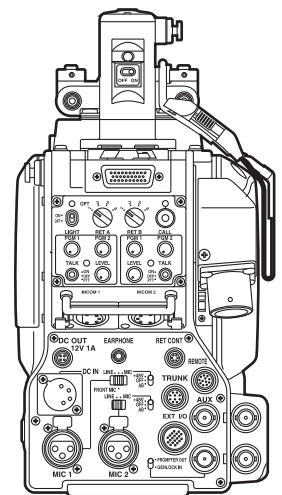
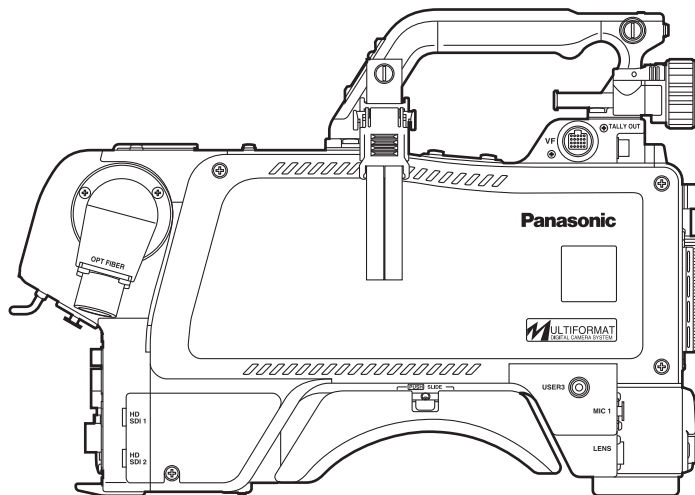
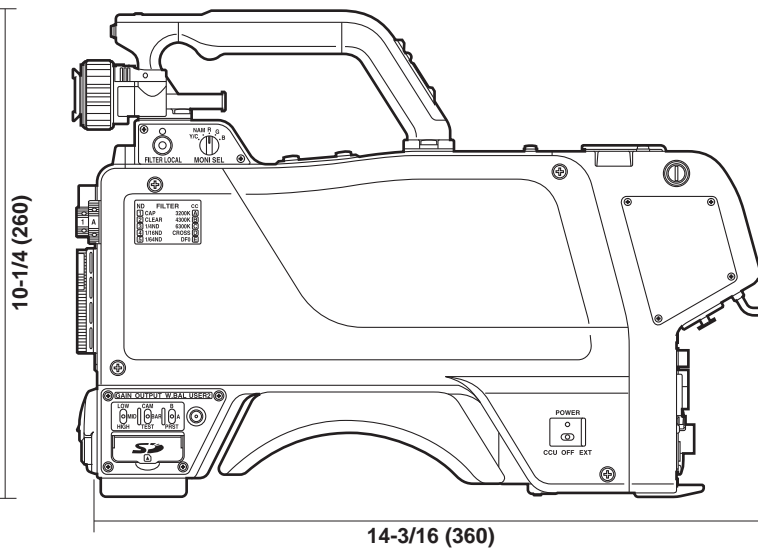
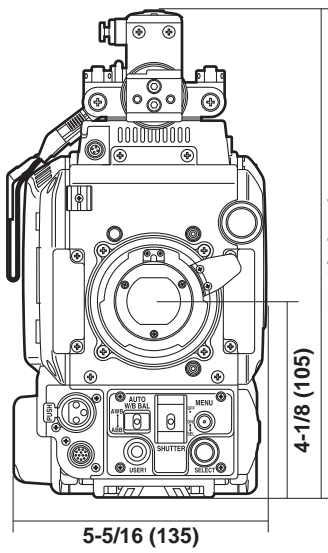
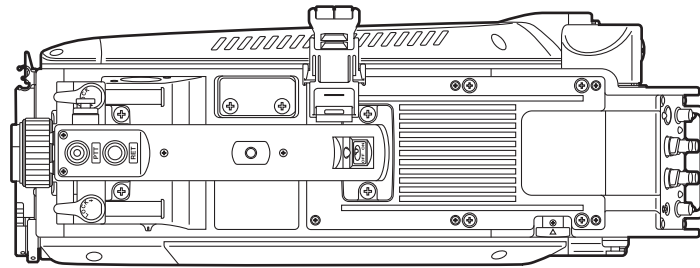
Pin#	Signal
1	VF-YOUT
2	VF-PBOUT
3	VF-PROUT
4	
5	I2C_DATA
6	R_TALLY
7	TA_TALLY
8	
9	LCD+12V
10	12V
11	VF-YOUT_GND
12	VF-PBOUT_GND
13	VF-PROUT_GND
14	AGND
15	DGND
16	
17	UNREG_GND
18	
19	F_GND
20	LCD_ACT
21	
22	
23	PEAKING_CONT
24	I2C_CLK
25	G_TALLY
26	VF_P_REQ
27	
28	
29	

**63** Buildup unit I/F QR/P8-20S-C(01) (Hirose)

Pin#	Signal
1	VF_YOUT3
2	VF_YOUT3_GND
3	VF_PBOUT3
4	VF_PBOUT3_GND
5	VF_PROUT3
6	VF_PROUT3_GND
7	BU_CRN_DATA_H
8	BU_CRN_DATA_C
9	BU_CRN_CONT_H
10	BU_CRN_CONT_C
11	OPT_AC(H)
12	LNS_ID_CO
13	LNS_IP-B
14	I2C_DATA
15	I2C_CLK
16	LNS_FOCUS_POS
17	LNS_L_TXD
18	BU_ACT
19	DGND
20	OPT_AC(C)

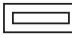
# External dimension drawings

Unit: inch (mm)



# Specifications

<b>Power supply:</b>	DC 12 V (when external power is supplied) AC 150 V - 240 V (when CCU is connected)
<b>Power consumption:</b>	28 W (during external power supply operation, camera only) 34 W (when CCU is connected)

 indicates safety information.

Ambient temperature range:

14 °F to 113 °F (−10 °C to +45 °C)  
[Preheating required at temperatures  
below 32 °F (0 °C)]

Storage temperature range:

−4 °F to 140 °F (−20 °C to +60 °C)

Operating ambient humidity:

Less than 85 %

Weight: Approx. 10.36 lbs. (4.7 kg)

Dimensions: 5-5/16" × 10-1/4" × 14-3/16"  
(W × H × D) (135 × 260 × 360 mm)  
[excluding protrusions]

## Basic items

- 1) Pickup device: 2/3" 2.2 million pixel IT-CCD × 3
- 2) System: GBR pickup system
- 3) Color separation optical system:  
f/1.4 prism
- 4) Optical filters: CC: 3200K, 4300K, 6300K, Cross,  
Diffusion  
ND: CAP, Through, 1/4, 1/16, 1/64
- 5) Lens mount: Bayonet type
- 6) Output standard: SMPTE 292M
- 7) Sensitivity: f/10.0, 2000 lux, 3200K,  
white reflectance 89.9 %  
(Vertical frequency: 59.94 Hz)
- 8) Horizontal modulation:  
More than 50 % (27.5 MHz)
- 9) S/N ratio: 60 dB typ. (Y: 30 MHz)
- 10) Horizontal frequency:  
33.716 kHz, 1125-line frame  
(Vertical frequency: 59.94 Hz)  
28.125 kHz, 1125-line frame  
(Vertical frequency: 50 Hz)
- 11) Vertical frequency:  
59.94 Hz or 50 Hz, interlace

## Input/output signals

- 1) MIC input: −20, −30, −40, −50, −60 dBm  
(XLR 3-pin female × 2)  
Gain selected by camera menu
- 2) INCOM: 0 dBm/600 ohms  
(XLR, 5-pin female × 2)  
(Mixing is controlled separately for  
PGM1 and PGM2.)

3) HD-SDI1/HD-SDI2 output:

HD signal = 0.8 Vp-p, 75 ohms (BNC)  
The HD-SDI2 signal output can be  
added to the regular images using the  
camera menu item setting and switched  
to the VF or RET image output.

4) Prompt output: VBS signal = 1 Vp-p, 75 ohms (BNC)  
G/L input: Tri-level SYNC or black burst (BNC)  
Selected using a switch.

5) HD RET input: HD analog signal = 1 Vp-p, 75 ohms  
(BNC)

Prompt2 output: VBS signal = 1 Vp-p, 75 ohms (BNC)  
Down converter output:

VBS or D1 signal = 1 Vp-p or 0.8 Vp-p,  
75 ohms (BNC)  
Input or output can be selected using  
the camera menu item setting.

## Control

- 1) Power selection: EXT, OFF, CCU
- 2) USER 1, 2, 3: Functions specified by menu items can  
be allocated to the switch.
- 3) RET A/B selection:  
For selecting the return signal
- 4) Monitor selection: Y/C, NAM, R, G, B
- 5) RET, PTT SW: RET, PTT
- 6) Gain selection: LOW, MID, HIGH
- 7) Output selection: CAM, BAR, TEST
- 8) White balance mode:  
A, B, preset
- 9) Shutter speed selection:  
1/100, 1/125, 1/250, 1/500, 1/1000,  
1/2000
- 10) AWB, ABB settings
- 11) Menu selection
- 12) CALL SW
- 13) INCOM: MIC ON/OFF, receive or PGM level
- 14) MIC setting: MIC power, MIC gain, MIC1 selection
- 15) Optical filter setting:  
REM, LOCAL selection and LOCAL  
setting
- 16) Back light SW: ON/OFF

\* When the CCU is connected, the selection functions  
for 6) to 10) are not effective.

Weight and dimensions shown are approximate.  
Specifications are subject to change without notice.

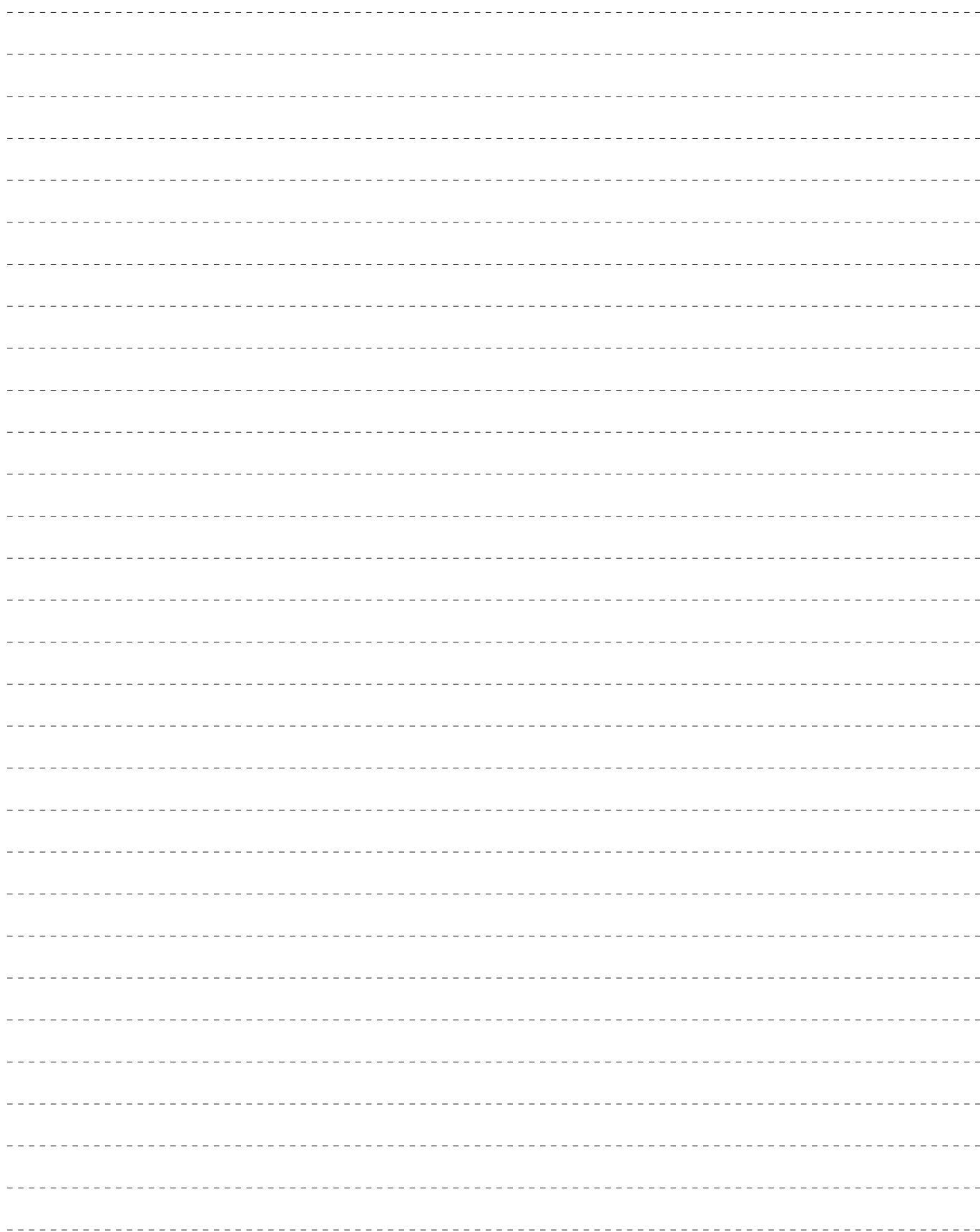


# Memo

A series of horizontal dashed lines for writing.

# Memo

A series of horizontal dashed lines for writing.



# Panasonic<sup>®</sup>

**PANASONIC BROADCAST & TELEVISION SYSTEMS COMPANY**  
UNIT COMPANY OF PANASONIC CORPORATION OF NORTH AMERICA

**Executive Office:**

One Panasonic Way 4E-7, Secaucus, NJ 07094 (201) 348-7000

**EASTERN ZONE:**

One Panasonic Way 4E-7, Secaucus, NJ 07094 (201) 348-7621

**Southeast Region:**

1225 Northbrook Parkway, Ste 1-160, Suwanee, GA 30024 (770) 338-6835

**Central Region:**

1707 N Randall Road E1-C-1, Elgin, IL 60123 (847) 468-5200

**WESTERN ZONE:**

3330 Cahuenga Blvd W., Los Angeles, CA 90068 (323) 436-3500

**Government Marketing Department:**

52 West Gude Drive, Rockville, MD 20850 (301) 738-3840

**Broadcast PARTS INFORMATION & ORDERING:**

9:00 a.m. – 5:00 p.m. (PST) (800) 334-4881/24 Hr. Fax (800) 334-4880

Emergency after hour parts orders (800) 334-4881

**TECHNICAL SUPPORT:**

Emergency 24 Hour Service (800) 222-0741

**Panasonic Canada Inc.**

5770 Ambler Drive, Mississauga, Ontario L4W 2T3 (905) 624-5010

**Panasonic de Mexico S.A. de C.V.**

Av angel Urraza Num. 1209 Col. de Valle 03100 Mexico, D.F. (52) 1 951 2127

**Panasonic Puerto Rico Inc.**

San Gabriel Industrial Park, 65th Infantry Ave., Km. 9.5, Carolina, Puerto Rico 00630 (787) 750-4300

© 2007 Matsushita Electric Industrial Co., Ltd. All rights reserved.

## Free Manuals Download Website

<http://myh66.com>

<http://usermanuals.us>

<http://www.somanuals.com>

<http://www.4manuals.cc>

<http://www.manual-lib.com>

<http://www.404manual.com>

<http://www.luxmanual.com>

<http://aubethermostatmanual.com>

Golf course search by state

<http://golfingnear.com>

Email search by domain

<http://emailbydomain.com>

Auto manuals search

<http://auto.somanuals.com>

TV manuals search

<http://tv.somanuals.com>