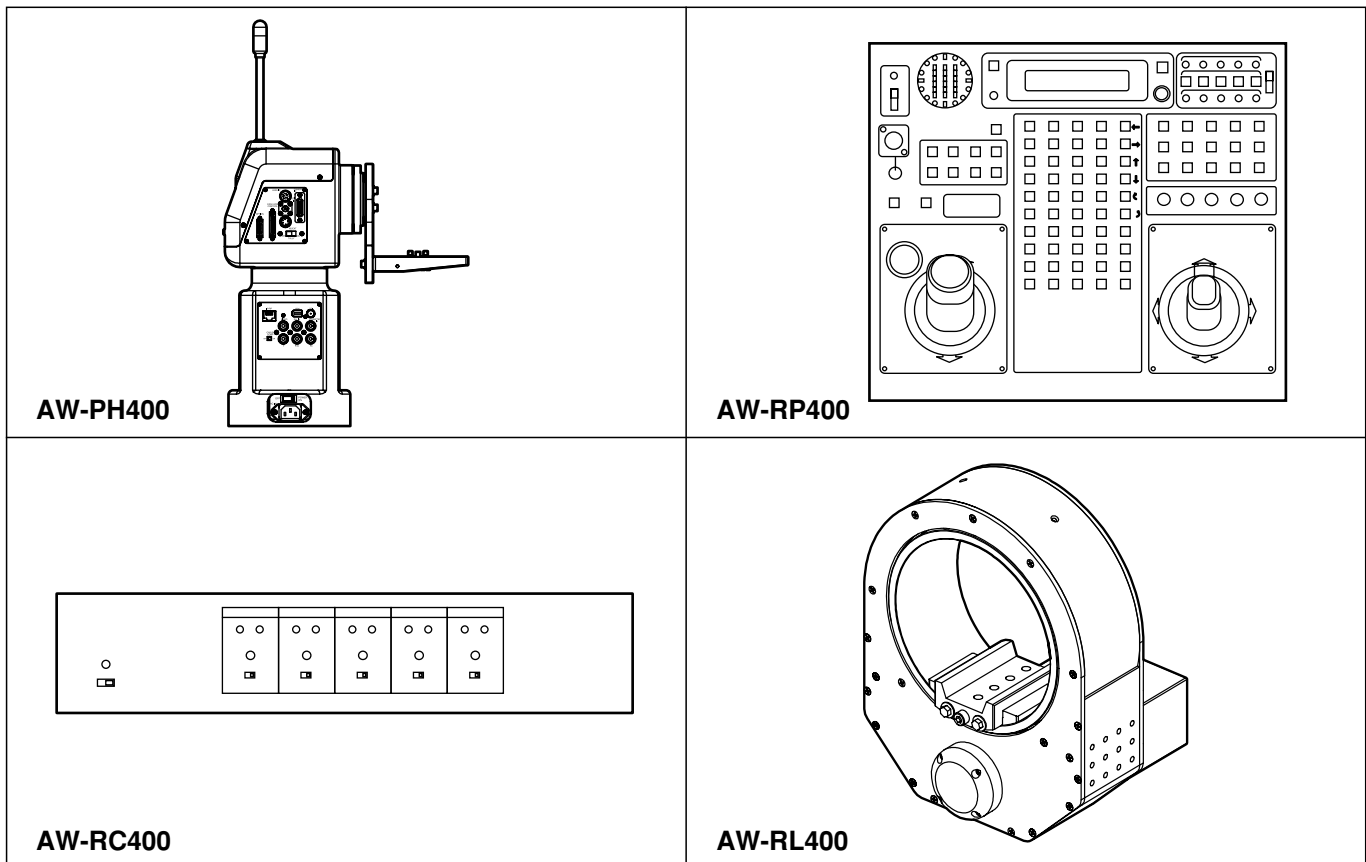


Operating Instructions

Indoor Pan/Tilt Head	AW-PH400
Pan/Tilt Head Controller	AW-RP400E
Cable Compensator	AW-RC400E
Roll Unit	AW-RL400G



Panasonic®

Before attempting to connect, operate or adjust this product,
please read these instructions completely.

Safety precautions

■ **DO NOT REMOVE PANEL COVER BY UNSCREWING.**

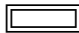
To reduce the risk of electric shock, do not remove cover. No user serviceable parts inside.
Refer servicing to qualified service personnel.

WARNING:

TO REDUCE THE RISK OF FIRE OR SHOCK HAZARD, KEEP THIS EQUIPMENT AWAY FROM ALL LIQUIDS-USE AND STORE ONLY IN LOCATIONS WHICH ARE NOT EXPOSED TO THE RISK OF DRIPPING OR SPLASHING LIQUIDS, AND DO NOT PLACE ANY LIQUID CONTAINERS ON TOP OF THE EQUIPMENT.

CAUTION:

TO REDUCE THE RISK OF FIRE OR SHOCK HAZARD AND ANNOYING INTERFERENCE, USE THE RECOMMENDED ACCESSORIES ONLY.

 indicates safety information.

Contents

Safety precautions	1
Precautions for use	3

AW-PH400 Indoor Pan/Tilt Head 4

Introduction	4
Accessories	4
Precautions for use	4
Installation precautions	5
Parts and their function	6
Installation	10
■ Assembling the pan/tilt head	10
■ Setting the mounting direction switch	11
■ Setting the PCB switches	12
■ Changing the mounting position of the pedestal connector panel	13
■ Installing the pan/tilt head	14
■ Mounting the camera	15
■ Attaching the chain	16
Replacing the consumable parts	17
Specifications	18

AW-RP400 Pan/Tilt Head Controller 19

Introduction	19
Accessories	19
Parts and their function	20
■ Front panel	20
■ Rear panel	23
Menu settings	25
■ Operation method	25
■ List of menu items and settings	26
Example of rack mounting	30
■ How to mount the AW-RP400 in a rack	30
■ How to change the direction of the connector panel ...	31
■ How to replace the zoom switch	32
Replacing the consumable parts	33
Specifications	34

AW-RC400 Cable Compensator 35

Introduction	35
Accessories	35
Parts and their function	36
Example of rack mounting	38
■ How to mount the AW-RC400 in a rack	38
Specifications	39

AW-RL400 Roll Unit 41

Introduction	41
Accessories	41
Parts and their function	42
Installation	43
Specifications	44
Connections	45
Example of system configuration	47
Operating procedures	48

Precautions for use

- **Handle the ROP carefully.**

Dropping the ROP or subjecting it to strong impact may give rise to malfunctioning or accidents.

- **Use the ROP in an ambient temperature of -10°C to $+45^{\circ}\text{C}$.**

Using the ROP in cold places below -10°C or hot places above 45°C may adversely affect its internal parts.

- **Turn off the power before connecting or disconnecting the cables.**

Be absolutely sure to turn off the power before connecting or disconnecting the cables.

- **Avoid using the units outdoors.**

- **Maintenance**

Wipe the ROP using a dry cloth. To remove stubborn dirt, dip a cloth into a diluted solution of kitchen detergent, wring it out well, and wipe the ROP gently.

<Caution>

- Avoid using benzine, paint thinners and other volatile fluids.
- If a chemical cleaning cloth is to be used, carefully read through the precautions for its use.

Introduction

- The stand-alone compact pan/tilt head can be rotated through 190 degrees in the vertical direction and 400 degrees in the horizontal direction.
- Operations can be performed at high speeds of up to 90 degrees per second.
- Equipment such as a camera and lens with a total weight of 8 kg can be mounted on the unit.
- The camera can also be rotated using the AW-RL400 roll unit available as an option.
- The shooting positions and settings for up to 50 positions can be registered as preset memory data.

NOTE

- The AW-PH400 cannot be controlled from the AW-RP301, AW-RP305, AW-RP501, AW-RP505, AW-RP605 or AW-RP605A controller.
- In order to protect the environment when the pan/tilt head is to be discarded at the end of its service life, ask a specialized contractor to dispose of it properly.

Accessories

Rotary arm	1
Camera mounting base	1
Rotary arm and camera base mounting screws (with flat washers)	
M5 × 20 mm	7
Camera cable	1
Tally lamp	1
Chain mounting screws (with flat washers, spring washers)	
M4 × 8 mm	1
M4 × 6 mm	1
Hexagon key wrench	1
AC cable	1

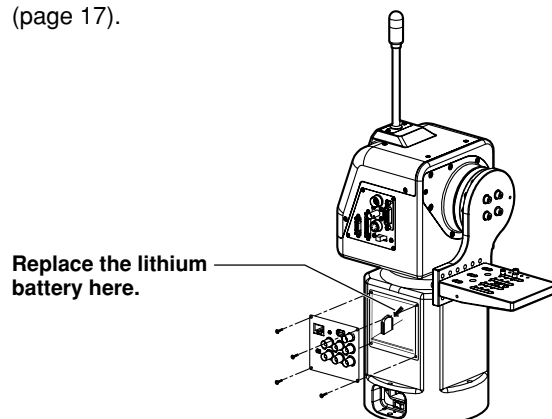
Precautions for use

The AW-PH400 uses a manganese dioxide-lithium battery (CR2032).

Before discarding the pan/tilt head or its printed circuit boards, be absolutely sure to remove the battery. Be absolutely sure to dispose of the removed battery in accordance with the applicable domestic laws and regulations.

Do not throw out the battery along with the general household garbage.

For the procedure to remove the battery, refer to the section on replacing the battery in "Replacing the consumables" (page 17).

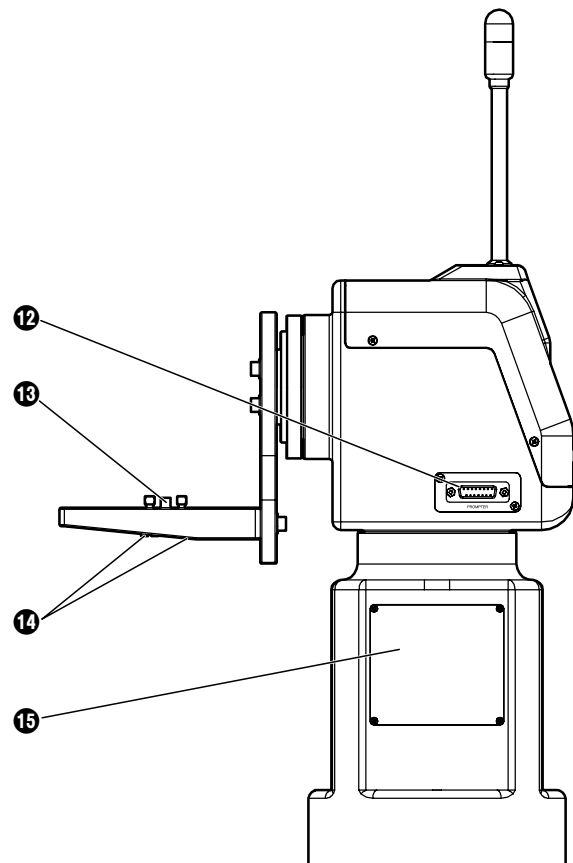
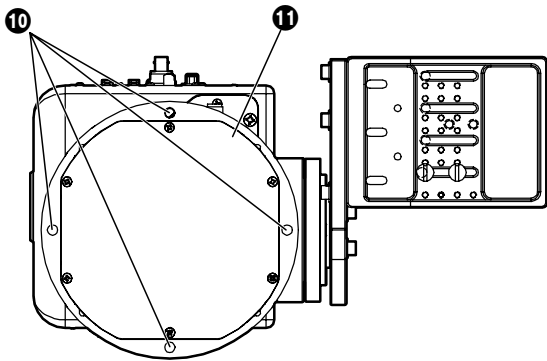
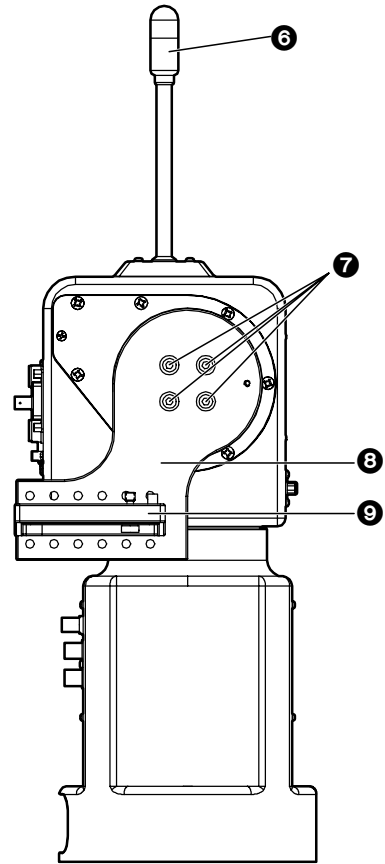
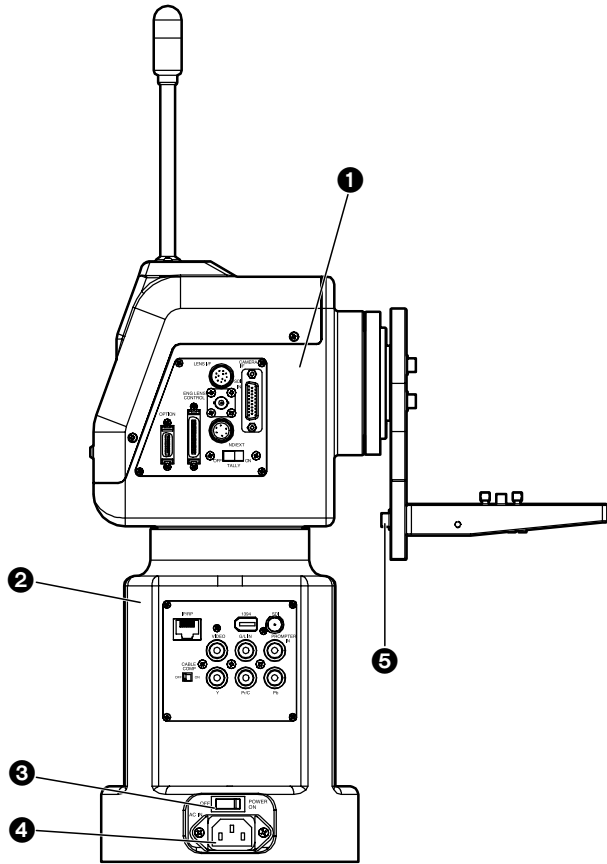


Installation precautions

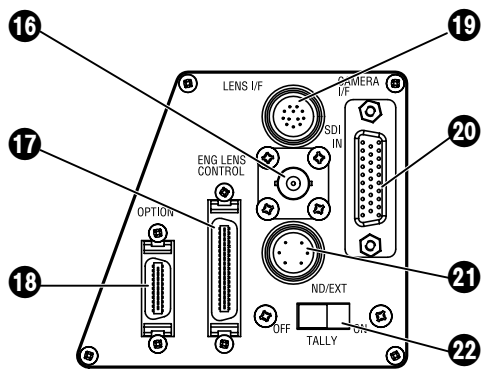
- Do not install the unit on any of its sides.
- Avoid using the unit in the kitchen and other locations with lots of steam and oily vapors.
- Mount the camera on the pan/tilt head only when you have finished installing it.
- The maximum load-bearing capacity of this unit is 8 kg.
It cannot be used if the load to be borne exceeds 8 kg.
- Do not use a lens which will impair or upset the unit's balance.
Even if the load borne by the unit is less than 8 kg, it cannot be used if the unit will be set off-balance by the lens mounted on it.
- Do not install the unit outdoors or in places where the temperature will be hotter than 45°C or colder than 0°C.
Use the unit in places where the humidity is below 90%.
- Purchase the mounting screws separately since they are not supplied with the unit.
- Do not hold or lift the unit by its rotating part. Doing so may cause malfunctioning.
- Do not turn the unit's rotating part by hand. Doing so may cause malfunctioning.
- Dropping the unit or subjecting it to strong impact may give rise to malfunctioning.
- Leave a clearance of at least 1 meter from around the monitor when installing the unit.
- When mounting the camera on the unit, take sufficient steps to ensure that it will not become detached from the unit or fall onto the floor.
- Install the unit in such a way that the equipment mounted on it and its cables will not come into contact with anything when the pan/tilt head swivels, and set definite movement limits.

Parts and their function

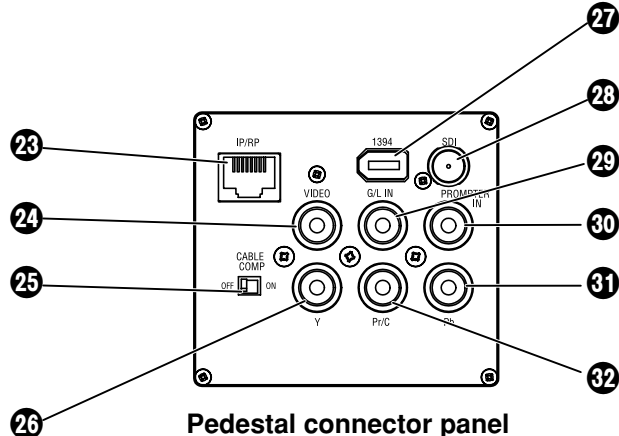
ENGLISH



Parts and their function



Rotary head connector panel



Pedestal connector panel

1 Rotary head

This rotates in the horizontal direction.

2 Pedestal

3 POWER ON/OFF switch

When this is set to ON, the unit's power is turned on; when it is set to OFF, it is turned off.

4 AC 100 inlet [AC IN] (AC 3-point inlet)

Connect the accessory AC power cable to this inlet.

5 Camera mounting base mounting screws

M5 × 20 mm hexagon socket head screws, M5 flat washers (3 of each provided as accessories)
These parts are used to secure the camera mounting base to the rotary arm.

6 Tally lamp (accessory)

This is lit up red by the selected signals.

7 Rotary arm mounting screws

M5 × 20 mm hexagon socket head screws, M5 flat washers (4 of each provided as accessories)
These parts are used to secure the rotary arm to the rotary head.

8 Rotary arm

This rotates in the vertical direction.

9 Camera mounting base

Mount the convertible camera on this base.

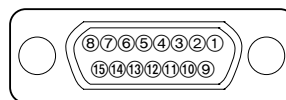
10 Pan/tilt head mounting holes

These four holes are used when installing the pan/tilt head.

11 Bottom panel

12 PROMPTER connector

The prompter is connected to this connector.
The maximum current which can be supplied from the DC 12V OUT socket is 2A.
When the prompter is connected, the pan/tilt head's speed is reduced to about one-third.



Pin layout as seen facing the prompter connector

Pin No.	Signal Name
1	---
2	PROMPTER VIDEO GND
3	PROMPTER VIDEO
4	---
5	---
6	DC 12V OUT
7	GND
8	---
9	---
10	---
11	---
12	---
13	---
14	DETECT
15	---
16	GND
17	---

Parts and their function

13 Guide pin

Use this to determine the direction in which the camera is to be mounted.

14 Camera mounting screws (U1/4" 20UNC)

These are used to secure the camera firmly after it has been mounted.

15 Side blank panel

This is used when the mounting direction of the pedestal connector panel is to be changed.

16 SDI IN connector [SDI IN]

Use a coaxial cable to connect this to the SDI OUT connector on the AW-PB504 SDI card or other card installed in the convertible camera.

17 ENG LENS CONTROL connector [ENG LENS CONTROL]

Use this when an ENG lens is to be used. An optional connecting cable is required.

18 OPTION connector [OPTION]

The optional AW-RL400 roll unit is connected here using the cable supplied with the AW-RL400.

19 LENS I/F connector [LENS I/F]

This is used to control the zooming and focusing of the motorized lens unit. Use the motorized lens unit's remote (zoom/focus) control cable to make the connection.

20 CAMERA I/F connector [CAMERA I/F]

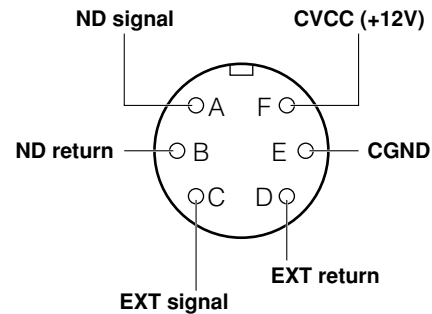
This is used for the control of the convertible camera. Use the camera cable supplied with the AW-PH400 to connect the connector with the REMOTE connector on the camera. Depending on the functions of the optional card, a special camera cable (sold separately) is required.

21 ND/EXT connector [ND/EXT]

This is for the control of the ND filter and lens extender of the motorized lens unit.

Connect this connector when using a motorized lens unit with ND filter and lens extender functions.

The compatible connector is the R03-P6M or R03-PB6M made by Tajimi Electronics Co., Ltd.



(Pin layout as seen from cable end)

22 TALLY OFF/ON switch [TALLY]

When this is set to ON, the tally lamp is lit by the selected signals. When it is set to OFF, the (6) tally lamp will not light even if the selected signals are supplied.

23 CONTROL IN IP/RP connector [IP/RP]

This is the connector for the control of signals of the camera and pan/tilt head.

It is connected to the CONTROL OUT TO PAN/TILT connector on the AW-RP400 pan/tilt head controller. Use a 10BASE-T (equivalent to UTP category 5) straight cable for the connecting cable.

24 VIDEO connector [VIDEO]

This is the output connector for the camera's video signals. It is connected to the Y/VIDEO connector on the AW-RC400 cable compensator or monitor, etc. Use a BNC coaxial cable for the connecting cable.

25 CABLE COMP OFF/ON switch [CABLE COMP]

When this is set to ON, signals which have been cable-compensated for the equivalent of 500 meters are output from the VIDEO connector and the Y, Pr and Pb connectors.

When this switch is used in conjunction with the AW-RC400 cable compensator, the video cable can be extended up to a maximum of 1000 meters.

Parts and their function

26 Y connector [Y]

This is the output connector for the camera's video signals.

It is connected to the Y/VIDEO connector on the AW-RC400 cable compensator or monitor, etc.

Use a BNC coaxial cable for the connecting cable.

The AW-PB302 RGB card must be installed if the AW-E300, AW-E300A, AW-E600, AW-E800 or AW-E800A convertible camera is to be used.

27 1394 connector [1394]

This is used for the control of the convertible camera and pan/tilt head equipped with an IEEE1394 card such as the AW-PB310.

Use an IEEE1394 cable for the connecting cable.

28 SDI connector [SDI]

This is the output connector for the camera's video signals.

When the AW-PB504 SDI card or other card is inserted in the convertible camera for use, SDI signals can be output.

Use a BNC coaxial cable for the connecting cable.

29 G/L IN connector [G/L IN]

This is the genlock signal input connector.

It is connected to the G/L OUT connector on the AW-RC400 cable compensator or other unit.

Use a BNC coaxial cable for the connecting cable.

30 PROMPTER IN connector [PROMPTER IN]

The video signals for the prompter are input to this connector.

Use a BNC coaxial cable for the connecting cable.

31 Pb connector [Pb]

This is the output connector for the camera's video signals.

It is connected to the Pb connector on the AW-RC400 cable compensator or monitor, etc.

Use a BNC coaxial cable for the connecting cable.

32 Pr/C connector [Pr/C]

This is the output connector for the camera's video signals.

It is connected to the Pr/C connector on the AW-RC400 cable compensator or monitor, etc.

Use a BNC coaxial cable for the connecting cable.

Installation *(Be sure to ask your dealer to install the unit.)*

■ Assembling the pan/tilt head

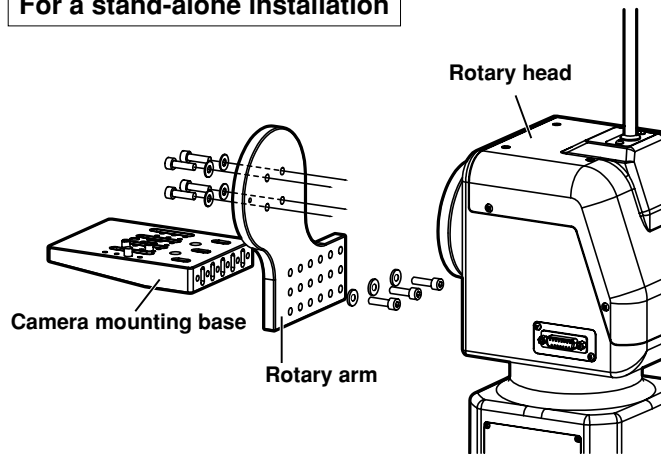
① Attaching the camera mounting base

Attach the camera mounting base to the rotary arm using the three screws. The mounting direction differs depending on the installation method used.

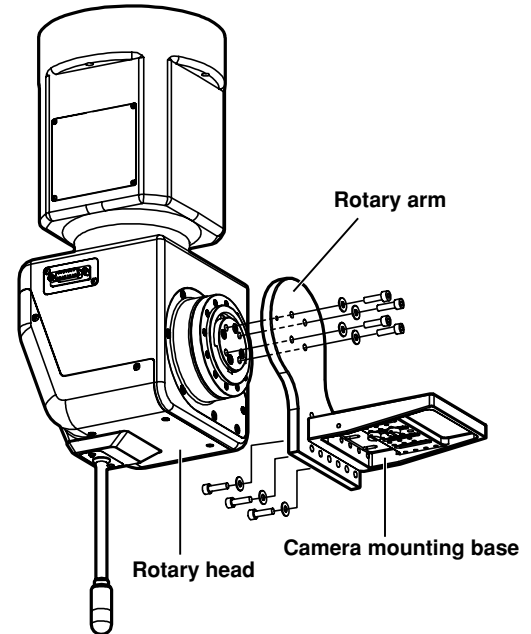
② Attaching the rotary arm

Attach the rotary arm to the rotary head using the four screws. The mounting direction differs depending on the installation method used.

For a stand-alone installation



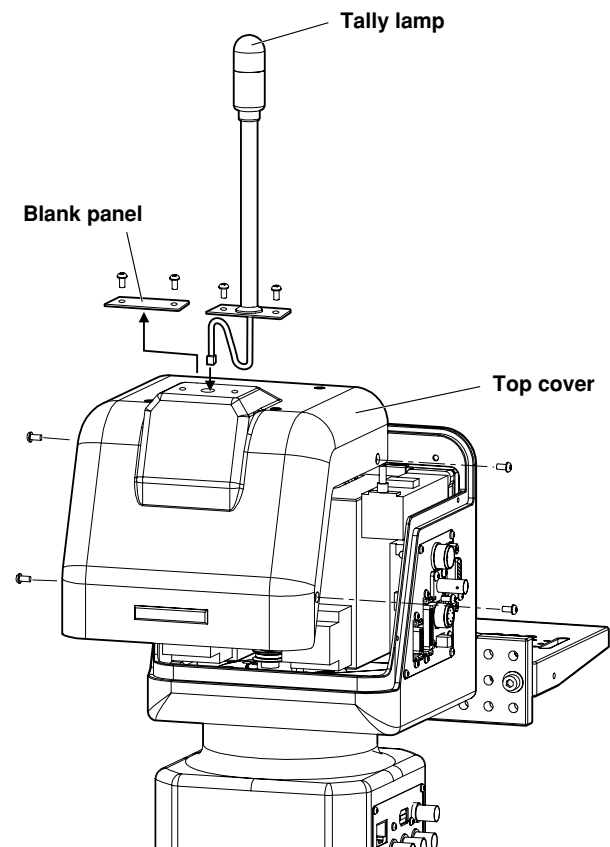
For installation on the ceiling



③ Mounting the tally lamp

Remove the four screws to remove the top cover.
Remove the two screws to remove the blank panel.
Mount the tally lamp, and secure it using the screws used to attach the blank panel.
Connect the tally lamp's connector.
Attach the top cover, and secure it using the four screws.

- Tighten up the screws securely to ensure that they will not come loose during use.

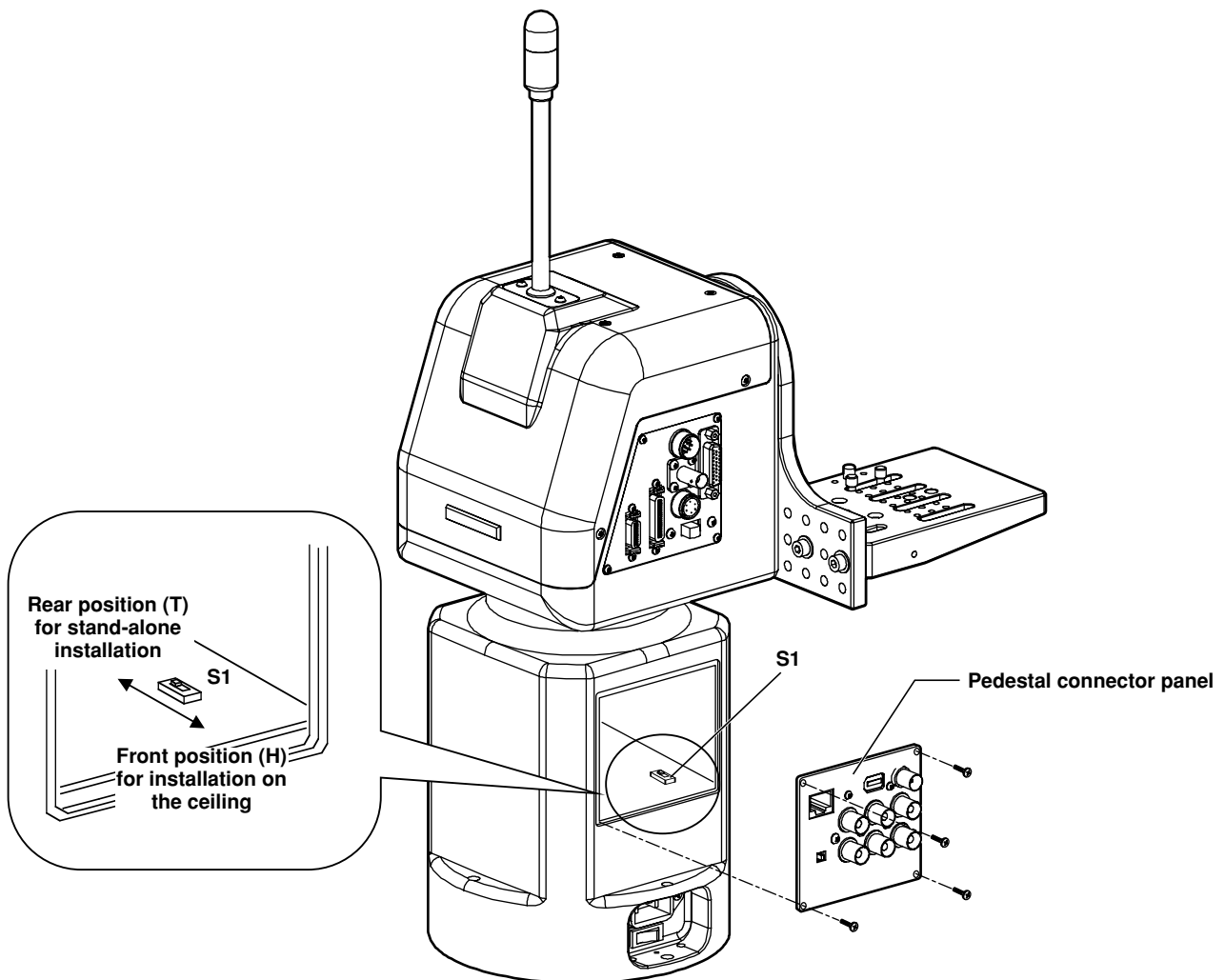


Installation *(Be sure to ask your dealer to install the unit.)*

■ Setting the mounting direction switch

Set the switch as follows when the unit is to be installed on the ceiling.
(This switch was set to the stand-alone installation position at the factory.)

- ① Remove the four screws, and gently remove the pedestal connector panel.
- ② Set switch S1 on the PCB inside the pan/tilt head as follows.
 - For stand-alone installation:**
Set S1 to the rear position (T). (Factory setting)
 - For installation on the ceiling:**
Set S1 to the front position (H).
- ③ Upon completion of the setting, return the pedestal connector panel to its original position, and attach it using the screws.
(Take care not to pinch or disconnect the wires.)



- Be absolutely sure to turn off the power before changing the position of this switch.

Installation *(Be sure to ask your dealer to install the unit.)*

■ Setting the PCB switches

The switches on the CONNECTOR PCB will need to be set in accordance with the signals to be transmitted and the equipment to be connected to the pan/tilt head.

(The switches are set to support analogue/SDI at the factory.)

- **Analogue/SDI support**

IP/IEEE switch: IEEE

422/IP switch: 422

- **Web card support**

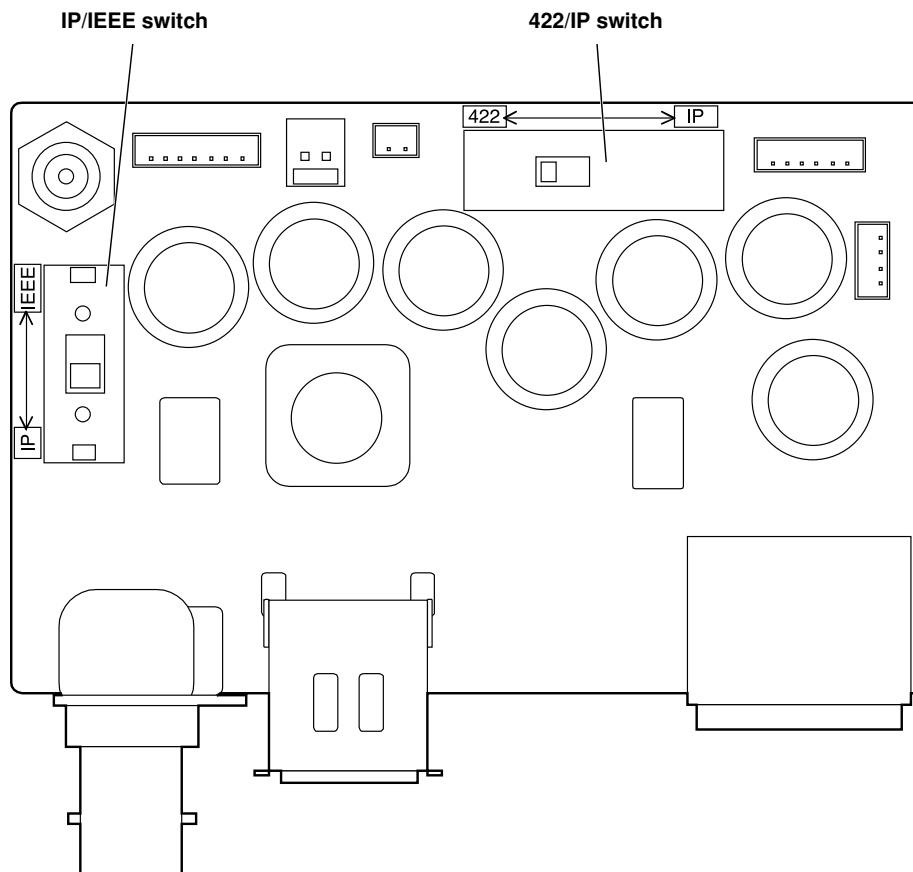
IP/IEEE switch: IP

422/IP switch: IP

- **IEEE1394 card support**

IP/IEEE switch: IEEE

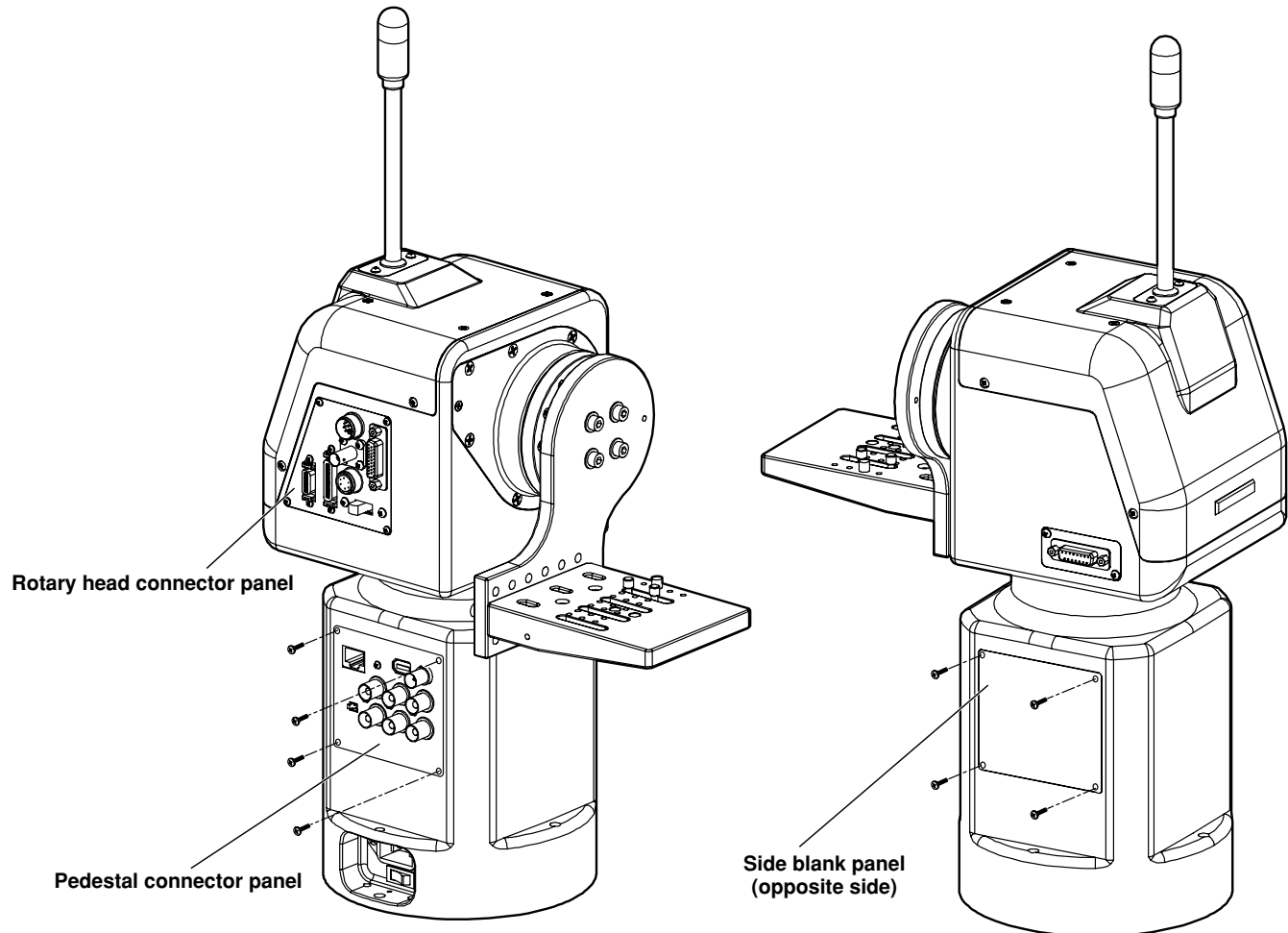
422/IP switch: 422



Installation *(Be sure to ask your dealer to install the unit.)*

■ Changing the mounting position of the pedestal connector panel

If necessary, the position at which the pedestal connector panel is mounted can be moved to the opposite side of the unit.



- ① Remove the four screws for the pedestal connector panel, and pull out the pedestal connector panel.
 - ② Disconnect all six connectors of the PCB at the back of the pedestal connector panel.
 - ③ Remove the four screws for the side blank panel, and remove the side blank panel.
 - ④ Move the pedestal connector panel to the opposite side, and re-connect the connectors of the PCB as before.
 - ⑤ Screw down the pedestal connector panel and side blank panel.
- Neither the mounting position nor the mounting direction of the rotary head connector panel can be changed.

Installation *(Be sure to ask your dealer to install the unit.)*

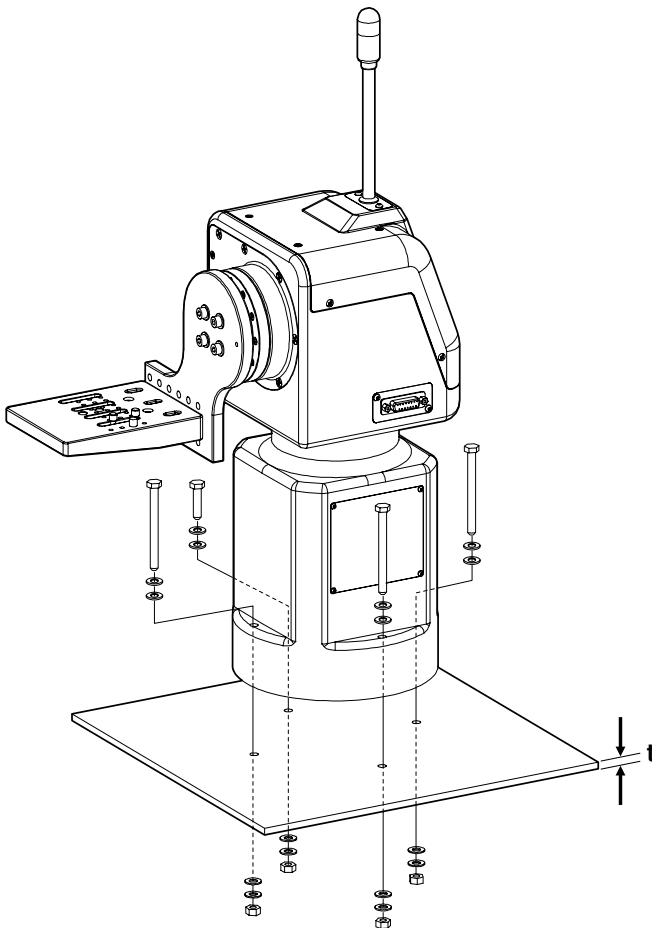
■ Installing the pan/tilt head

When installing the pan/tilt head, follow the instructions below carefully.

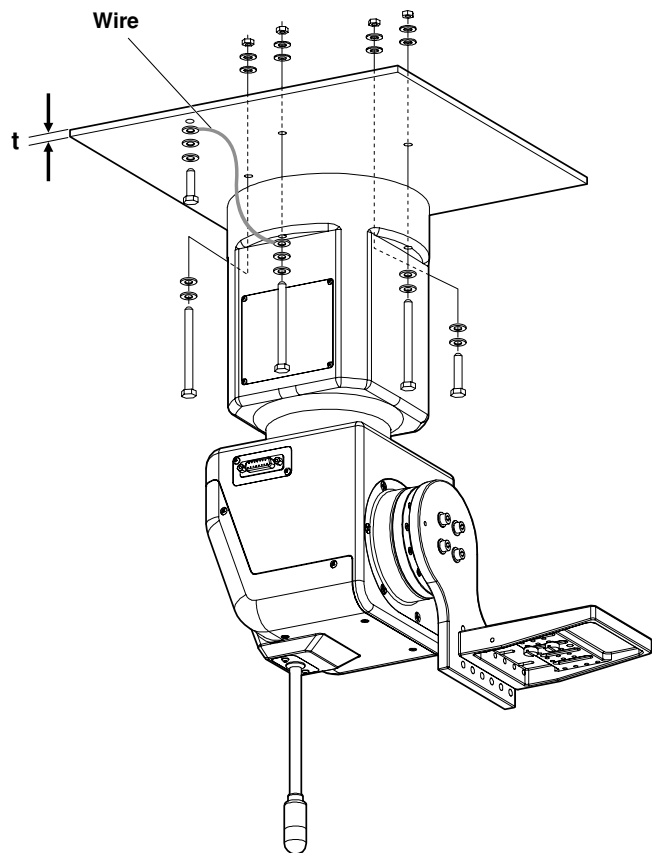
In order to prevent accidents resulting when the product becomes dislodged or falls down, be absolutely sure to proceed as instructed. Do not install the pan/tilt head on its side since its prescribed operation and performance cannot be ensured.

- After the pan/tilt head has been installed, mount the camera on it.
- When installing the pan/tilt head, use the four mounting holes to secure the pan/tilt head firmly.
- Use the M6 hexagon head bolts (including one short bolt) for installation.
- Use hexagon head bolts which are longer than the thickness (t) of the mounted member + 25 mm.
- As shown in the figure, use flat washers, spring washers and hexagon nuts for the hexagon head bolts.
- Use a wrench of the appropriate size to tighten up the hexagon head bolts.
- When installing the pan/tilt head on the ceiling, attach the wire together with the bolts, and then anchor them securely to a rigid part of the ceiling.
- Use a wire which is strong enough to bear the weight of the entire pan/tilt head (pan/tilt head, camera and lens cable).
- Install the pan/tilt head in such a way that the equipment and cable attached to it will not make contact with any surrounding objects when the head is swiveled.

For a stand-alone installation



For installation on the ceiling



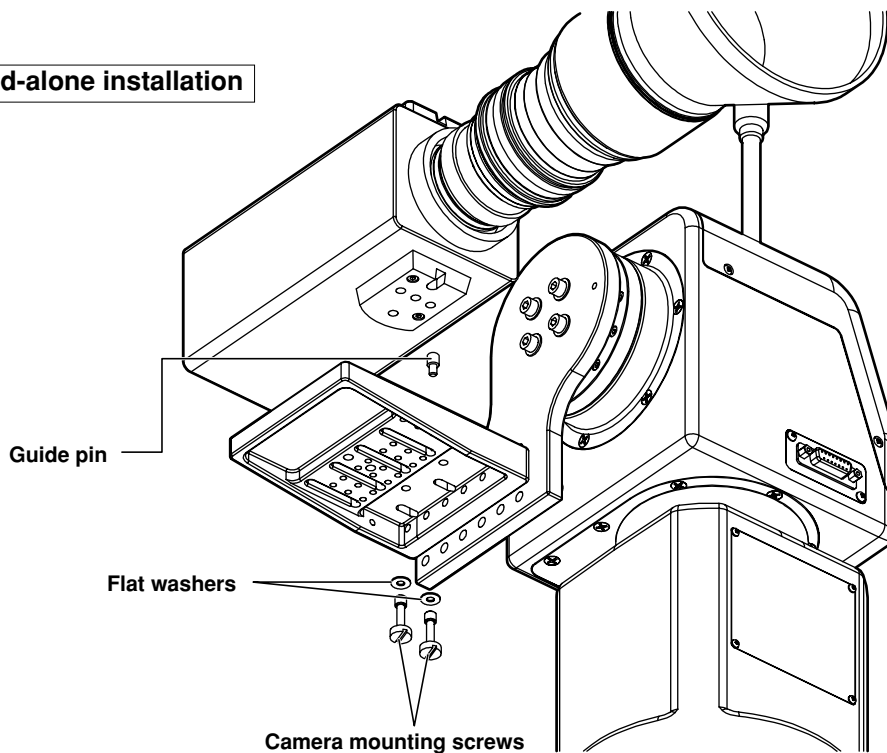
※ When installing the pan/tilt head, do not forcibly turn the rotary head or rotary arm manually. Doing so may result in malfunctioning.

Installation *(Be sure to ask your dealer to install the unit.)*

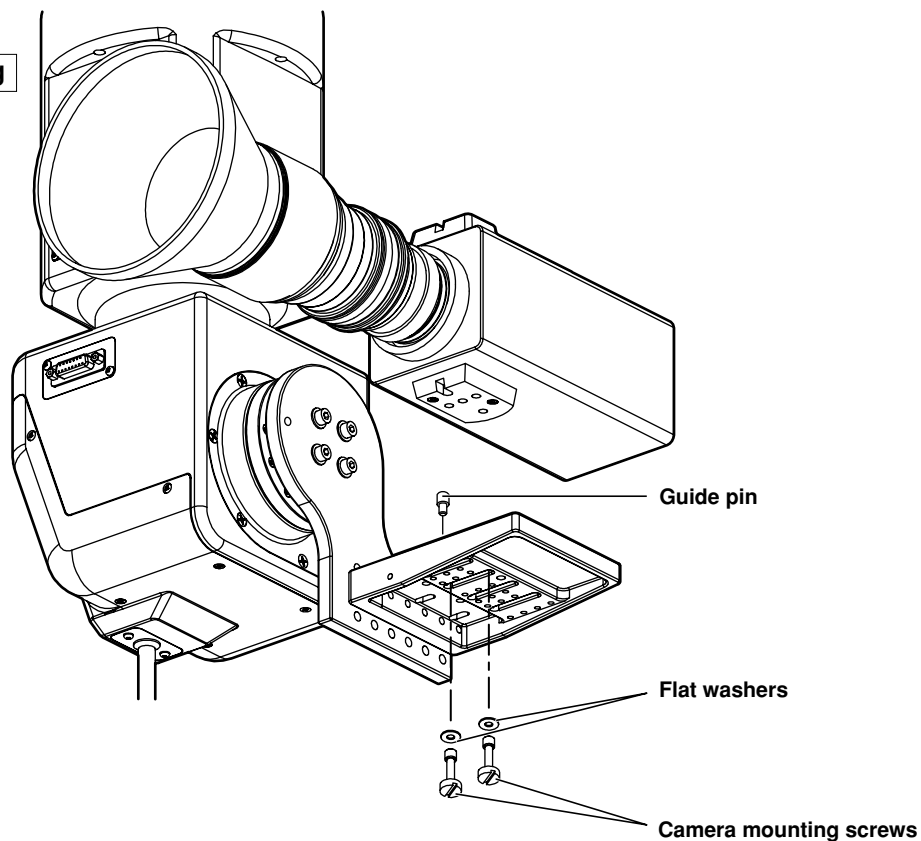
■ Mounting the camera

- ① Select the positions of the guide pin and camera mounting screws in accordance with the camera and lens to be used, and mount the camera. When mounting the camera on the pan/tilt head, be very careful to ensure that the camera does not fall off or fall down.

For a stand-alone installation



For installation on the ceiling



Installation *(Be sure to ask your dealer to install the unit.)*

■ Attaching the chain

When mounting the AW-E750 camera

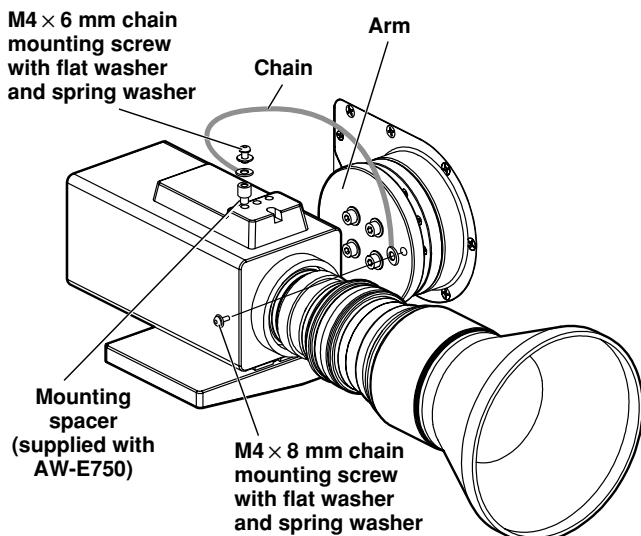
- ① Use the chain mounting screw (M4 × 8 mm with flat washer and spring washer) to attach one end of the chain to the pan/tilt head's arm.
- ② Mount the mounting spacer on the top panel of the camera.
- ③ Use the chain mounting screw (M4 × 6 mm with flat washer and spring washer) to attach the other end of the chain to the screw hole of the mounting spacer.

When mounting the AW-E350 or AW-E650 camera

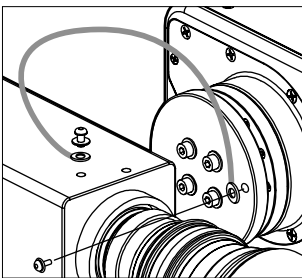
- ① Use the chain mounting screw (M4 × 8 mm with flat washer and spring washer) to attach one end of the chain to the pan/tilt head's arm.
- ② Use the chain mounting screw (M4 × 6 mm with flat washer and spring washer) to attach the other end of the chain to the screw hole of the top panel of the camera.

For a stand-alone installation

- Camera: AW-E750

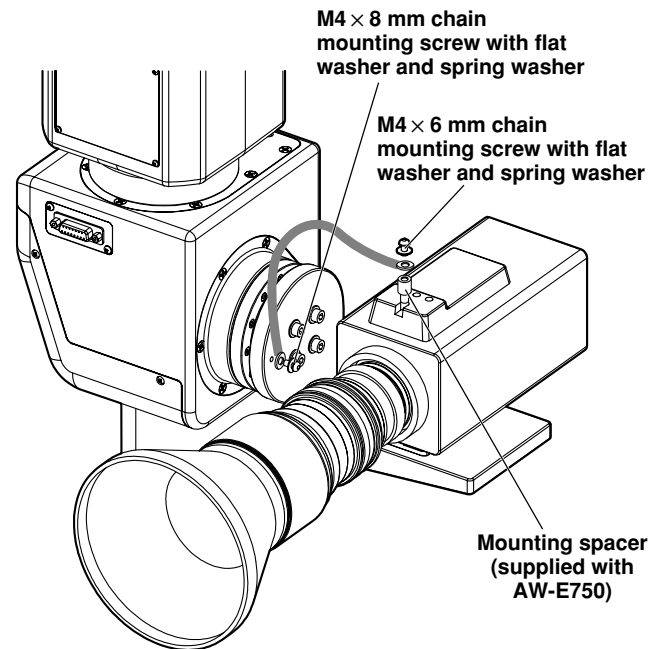


- Camera: AW-E650, AW-E350

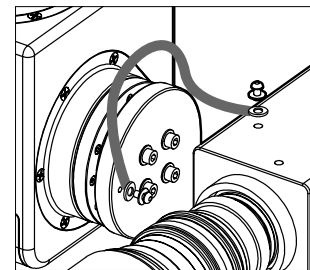


For installation on the ceiling

- Camera: AW-E750



- Camera: AW-E650, AW-E350



* Be absolutely sure to tighten up the mounting spacer and screws securely using a tool such as a screwdriver.

Replacing the consumable parts

■ Replacing the battery

The battery has a service life of approximately 5 years.

The unit stores the preset positions, limiters and other data in its memory. This data is retained even when the power is turned off, but if the internal battery has reached the end of its service life, the data will be lost when the power is turned off.

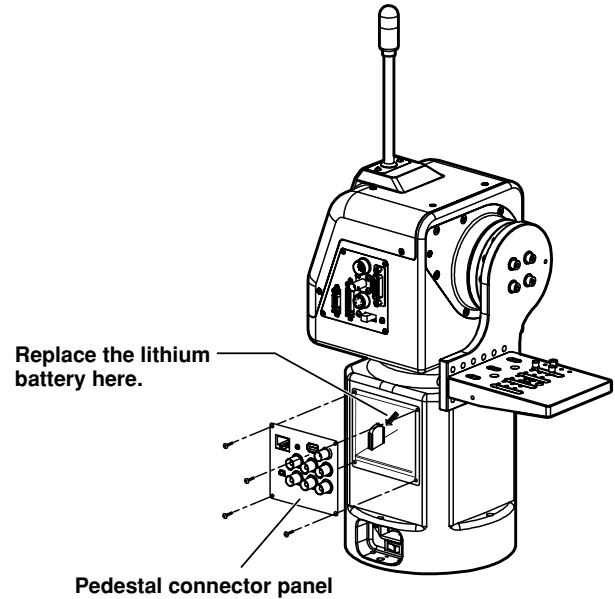
Replace a battery that has lost its charge with a new one. (Battery used: CR2032 manganese dioxide-lithium battery)

■ How to remove the battery

- ① Remove the four screws, and remove the pedestal connector panel.
- ② Push the battery in the direction indicated by the arrow in the figure, and slide it out.
- ③ With the battery slid out, raise it from underneath the part with the arrow.
- ④ After disengaging the part with the arrow from the battery holder, pull the battery out toward yourself.

■ How to install the battery

- ① Make the "+" side of the new battery to the front side, and insert its end into the battery holder from the direction of the arrow.
- ② Push the battery into the holder while pushing the battery in the direction of the arrow.
- ③ Attach the pedestal connector panel using the four screws.



■ Replacing the motor

Replace the motor when it ceases to operate properly.

For details on the motor replacement, consult your dealer.

■ Replacing the belt

Replace the belt when the preset stop accuracy has deteriorated.

For details on the belt replacement, consult your dealer.

■ Replacing the gear

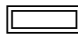
Replace the gear when the preset stop accuracy has deteriorated.

For details on the gear replacement, consult your dealer.

**The motor, gear and belt are consumables.
They need to be replaced at periodic intervals.**

Specifications

Supply voltage:	AC 240V, 50/60 Hz
Power consumption:	145W

 indicates safety information.

Genlock input:	BNC Black burst or composite video signal
Prompter input (PROMPTER IN):	BNC Through output to PROMPTER connector
Prompter output (PROMPTER OUT):	D-SUB 15-pin
Camera video output	
VIDEO:	BNC, 75-ohm output, 1 Vp-p Connecting cable: 5C-2V, max. 1000 meters
Y, Pr/C, Pb:	Y/C Y: 1 Vp-p/75 ohms C: 0.285Vp-p/75 ohms (burst) Component video: Y: 1 Vp-p/75 ohms Pr: 0.7Vp-p/75 ohms Pb: 0.7Vp-p/75 ohms Connecting cable: 5C-2V, max. 1000 meters
SDI:	BNC
Camera, pan/tilt head control: RP/IP	RJ45, RS-485, pan/tilt head control signal output Connecting cable: 10BASE-T straight cable (equivalent to UTP category 5), max. 500 meters
Functions/performance:	Maximum load-bearing capacity: 8 kg Tilt range: 190 degrees (approx. ±95 degrees) The tilt range is subject to restrictions depending on the cable and lens of camera to be mounted on pan/tilt head. Pan range: 400 degrees (approx. ±200 degrees) Maximum operating speed: 90 degrees/sec. (Maximum operating speed with prompter mounted: 30 degrees/sec.) Repeatability: ±30" Noise level: Less than NC30 (at less than 30 degrees/sec.)
Ambient operating temperature:	0°C to +45°C
Storage temperature:	-20°C to +60°C
Ambient operating humidity:	30% to 90% (no condensation)
Dimensions (W × H × D):	??? × ??? × ??? mm
Weight:	Approx. ?? kg
Finish:	AV ivory paint (colour resembling Munsell 7.9Y6.8/0.8)

Introduction

- This pan/tilt head controller enables up to five AW-PH400 indoor pan/tilt heads to be controlled.
- By connecting the AW-CB400 remote operation panel or WV-CB700A remote control box to the controller, the convertible cameras mounted on the pan/tilt heads can be controlled at the same time.
- By installing an additional controller, two of the five units in the pan/tilt head system can be controlled at the same time.
- Up to ten tracing memories can be accommodated.
- Up to 50 preset memories can be set.
- The connection distance between the controller and pan/tilt head system can be extended up to a maximum of 500 meters.

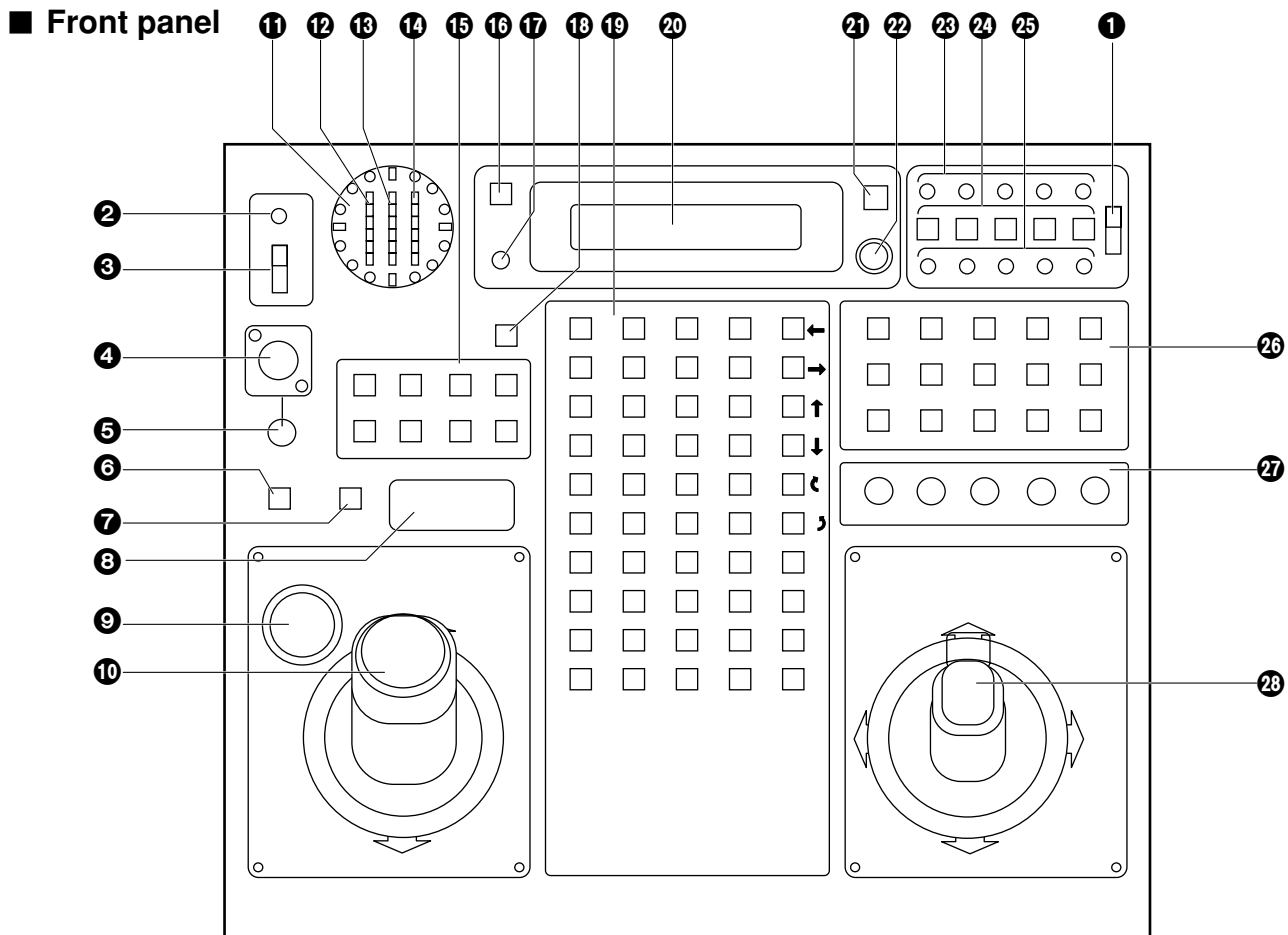
NOTE

- The AW-RP400 cannot be used to control the model AW-PH300, AW-PH300A, AW-PH350, AW-PH500 or AW-PH600 pan/tilt heads.
- Before using the controller, the movement range (limiters) of the pan/tilt head system must be set without fail.
- When the AW-PH400 controller is to be discarded at the end of its service life, ask a specialized contractor to dispose of it properly in order to protect the environment.

Accessories

Zoom switch	1
Plug (D-SUB 15-pin) for tally/INCOM system	1 set
Rack-mounting adaptors	2
Mounting screws (M4 × 8 mm)	4

Parts and their function



1 EXT CONT [M/S] switch

This switch is normally kept at the [M] (master) position. When an additional AW-RP400 controller has been installed, set the EXT CONT switch on the additional unit to [S] (slave).

If no additional AW-RP400 controller is going to be installed, the EXT CONT switch on this controller must be kept at the [M] (master) position without fail.

2 OPERATE lamp

This lights up green when the (3) OPERATE switch is at ON. It goes off when the switch is set to OFF.

3 OPERATE [OFF/ON] switch

When this switch is set to [ON], the power supply from the connected pan/tilt heads to the cameras is turned on, and system control is enabled.

When it is set to [OFF], the power supply from the connected pan/tilt heads to the cameras is turned off.

NOTE

When an additional AW-RP400 controller is installed and used, it will not be possible to exercise control from the slave controller unless the OPERATE switches not only on the slave controller but on the master controller as well are set to [ON]. Remember to set the OPERATE switch on the slave controller to [ON] first before setting the OPERATE switch on the master controller to [ON].

4 INCOM jack

The INCOM (inter-communication) headset is connected here.

5 LEVEL control

Use this to adjust the volume of the headset's receiver.

6 CALL button

When this button is pressed, the buzzer of the connected controller sounds, and the CALL button lamp lights.

Parts and their function

7 IRIS [AUTO/MANU/LOCK] button

Use this to select the method for adjusting the lens iris of the cameras in the currently selected pan/tilt head system.

Each time it is pressed, the setting is switched in the sequence of AUTO, MANU and LOCK.

AUTO: The cameras automatically adjust the lens iris in accordance with the light quantity, and the IRIS button lamp lights.

MANU: The lens iris is adjusted manually using the IRIS dial. At this setting, the IRIS button lamp is off.

LOCK: The lens iris is locked at the manually adjusted setting. It does not move even when the (9) IRIS dial is turned. In this status, the IRIS button lamp flashes slowly.

While MANU or LOCK is selected, the IRIS button lamp starts flashing quickly when the IRIS dial is turned: this indicates that the lens iris cannot be controlled even when the (9) IRIS dial is turned.

- The IRIS button on the controller does not work when the WV-CB700A remote control box is connected to the controller. Select AUTO or MANU using the IRIS [AUTO/MAN] button on the WV-CB700A.

8 SD CARD slot

This slot is where the SD memory cards are inserted. The pan/tilt head and camera setting can be stored on these cards.

9 IRIS dial

The lens iris can be adjusted by turning this dial while the (7) IRIS [AUTO/MANU/LOCK] button is set to MANU. The iris is opened by turning the dial clockwise and stopped down by turning it counterclockwise.

- The IRIS dial on the controller does not work when the WV-CB700A remote control box is connected to the controller. Adjust the iris using the IRIS control on the WV-CB700A.

10 ZOOM lever/FOCUS dial

Use the ZOOM lever to adjust the lens zoom. The TELE (telephoto) and WIDE (wide angle) settings are established by the direction in which the lever is tilted; the zooming speed is adjusted by the angle to which the lever is tilted.

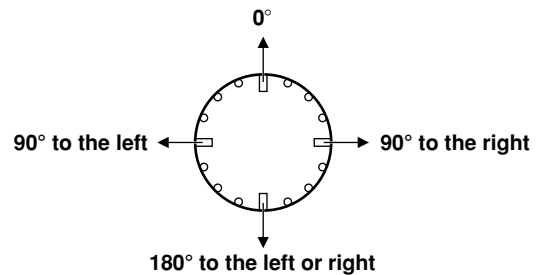
The lens is focused using the FOCUS dial on the top of the lever.

11 PAN indicator

Sixteen LEDs are used to display the position of the pan/tilt head in the horizontal rotational direction for 200 degrees to the left or right.

When the pan/tilt head is rotated to the right by more than 180 degrees up to 200 degrees, the 180-degree LED flashes, and LEDs on its left light.

Conversely, when the pan/tilt head is rotated to the left by more than 180 degrees up to 200 degrees, the 180-degree LED flashes, and LEDs on its right light.



12 IRIS indicator

The position of the lens iris in the currently selected pan/tilt head system is indicated by a 6-step display (CLOSE → OPEN).

13 ZOOM indicator

The position of the lens zoom in the currently selected pan/tilt head system is indicated by a 6-step display (WIDE → TELE).

14 FOCUS indicator

The position of the lens focus in the currently selected pan/tilt head system is indicated by a 6-step display (NEAR → FAR).

15 OPTION switches [A to H]

The "NOT USE", "LAMP", "DEFROSTER", "WIPER", "HEATER/FAN", "AF", "ND", "OPTION" and "EXTENDER" functions can be allocated to OPTION switches A to H by menu settings.

16 HOME button

Press this to move the pan/tilt head and roll unit to the home position.

17 LCD CONTRAST control

Use this to adjust the contrast of the LCD panel.

Parts and their function

18 MEMORY button

When one of the (19) PRESET MEMORY selection buttons [1] to [50] is pressed while holding down the MEMORY button, the settings of the pan/tilt head system can be registered in that PRESET MEMORY selection button.

The MEMORY button flashes if the pan/tilt head selected by the (24) CONTROL SELECT button is not connected or its power has not been turned on.

19 PRESET MEMORY selection buttons [1] to [50]

Use these buttons to call the settings registered in them. When data has been registered in the tracing memories, the recording/play time displays appear.

20 LCD panel

The current setting statuses are displayed on this panel.

21 MENU/LIMIT button

Hold down this button for two or more seconds to turn the setting menu ON or OFF.

When (19) PRESET MEMORY selection button [5], [10], [15], [20], [25] or [30] is pressed while holding down the MENU/LIMIT button, ON/OFF control over the limiters can be exercised.

22 CONT dial

This is used for the setting menu operations.

23 TALLY lamps [1] to [5]

When tally signals are supplied to the (31) TALLY/INCOM connectors [1] to [5] on the rear panel, the lamps with the numbers corresponding to those connectors light up.

When tally signals are supplied to the tally connectors [1] to [5] of the AW-CB400 remote operation panel, if this panel is connected to the pan/tilt head controller, the lamps with the numbers corresponding to those connectors also light up.

24 CONTROL SELECT buttons [1] to [5]

The (34) CONTROL OUT TO PAN/TILT HEAD [P1] to [P5] connectors on the rear panel can be selected by pressing buttons [1] to [5]. The button lamps corresponding to the numbers of the buttons selected light, and the selected pan/tilt head systems can be controlled.

When the (35) MONI SEL OUT connector on this controller is connected to the MONI SEL IN connector on the AW-RC400 cable compensator, the images of the camera connected to the MONI1 or MONI2 connector on the AW-RC400 can be output.

- When two AW-RP400 controllers are connected, the combination of the controllers which select the monitor output can be set on the menu.

25 ANOTHER CONTROL lamps [1] to [5]

When another AW-RP400 controller is connected, these lamps indicate the numbers of the pan/tilt head systems selected by the additional AW-RP400 controller.

26 TRACING MEMORY [START POINT, STOP, RESTORE, RESET, 1 to 10] buttons

Use these for the tracing memory operations. For details on operation, refer to the tracing memory section.

27 SPEED controls

[ZOOM/FOCUS/PAN/TILT/ROTATION]

These enable the pan/tilt head, lens and roll unit control speeds to be adjusted.

By turning these controls as far as they will go in the counterclockwise direction, operation of the pan/tilt heads and lenses can be prevented even when control is exercised using the joystick, etc.

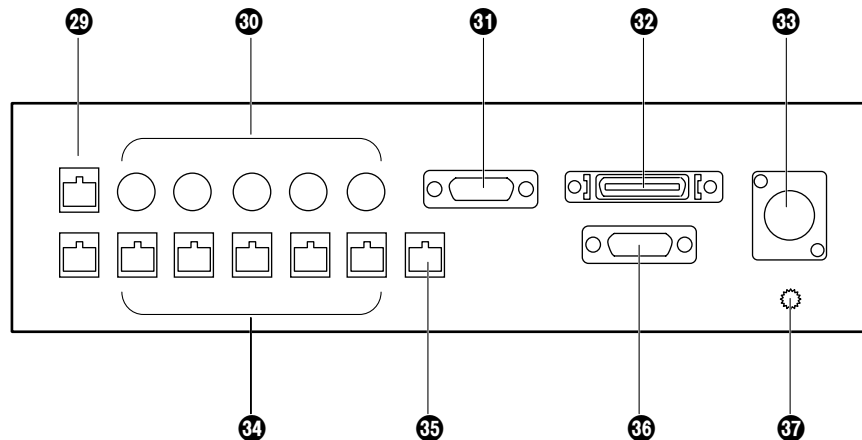
28 PAN/TILT lever/ROTATION control switch

Use these to adjust the direction of the pan/tilt heads. When the lever is tilted to the left or right, the pan/tilt heads move toward the left or right; when it is tilted up or down, they move upward or downward. The movement speed can be adjusted by the angle to which the lever is tilted.

Further, the angle of the AW-RL400 roll unit can be adjusted using the ROTATION control switch on the front of the lever. By pressing the top part of the ROTATION control switch, the roll unit rotates clockwise; by pressing the bottom part, it rotates counterclockwise. The speed of the rotation changes in accordance with the amount of pressure applied.

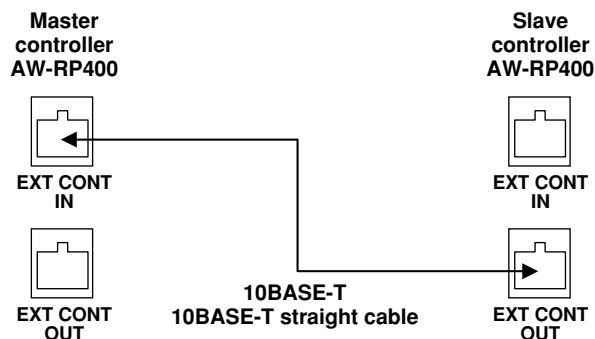
Parts and their function

■ Rear panel



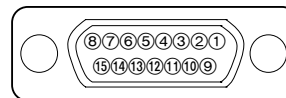
29 EXT CONT IN/OUT connectors

When an additional AW-RP400 controller is to be provided, connect these connectors on the two AW-RP400 controllers using a 10BASE-T (equivalent to UTP category 5) straight cable.



31 TALLY/INCOM connector

Connect this to the TALLY/INCOM connector on the video switcher or other unit. When the TALLY input connector is set to the GND level, the TALLY lamp on the controller or pan/tilt head lights. Do not apply a voltage in excess of 5V to this connector.



Pin layout as seen from the back panel of AW-RP400

Pin No.	Signal name
1	TALLY1
9	TALLY2
2	TALLY3
10	TALLY4
3	TALLY5
11	TALLY GND
4	---
12	---
5	---
13	---
6	MIC+
14	MIC-
7	INCOM GND
15	SP-
8	SP+

30 CAMERA CONTROL IN FROM RCB [P1] to [P5] connectors

Connect the WV-CB700A remote control boxes to these connectors.

The cameras installed on the pan/tilt heads corresponding to the ports where the WV-CB700A boxes have been connected can then be controlled.

When even one WV-CB700A box is connected, the cameras cannot be controlled from the AW-CB400 remote operation panel even if the AW-CB400 is connected.

Use the accessory plug (D-SUB 15-pin) to connect the tally/INCOM signals to the system.

Connect a 4-wire INCOM system to the INCOM connector.

When an additional controller has been provided or when the AW-CB400 remote operation panel has been connected, the tally or INCOM function of all the units will take effect if tally or INCOM signals are connected to one of the units.

Parts and their function

32 REMOTE connector

Connect an external unit to this connector to control the pan/tilt head systems from a PC or other external unit. Connect the connector to the PC using the AW-CA50T9 RS-232C cable.

33 DC 12V IN socket

Connect the AW-PS505 AC adaptor (sold separately) to this socket.

34 CONTROL OUT TO PAN/TILT HEAD [P1] to [P5] connectors

Connect these connectors to the IP/RP connectors on the AW-PH400 indoor pan/tilt heads using 10BASE-T (equivalent to UTP category 5) straight cables. The cables can be extended up to a maximum of 500 meters.

35 MONI SEL OUT connector

Connect this connector to the MONI SEL OUT connector on the AW-RC400 cable compensator using a 10BASE-T (equivalent to UTP category 5) straight cable. The images of the camera selected by the controller can now be output from the MONITOR1 or MONITOR2 connector on the AW-RC400.

36 CAMERA CONTROL IN FROM RCP connector

Connect the AW-CB400 remote operation panel to this connector using the connecting cable packed with the AW-CB400. The cameras installed on the pan/tilt heads can now be controlled from the AW-CB400.

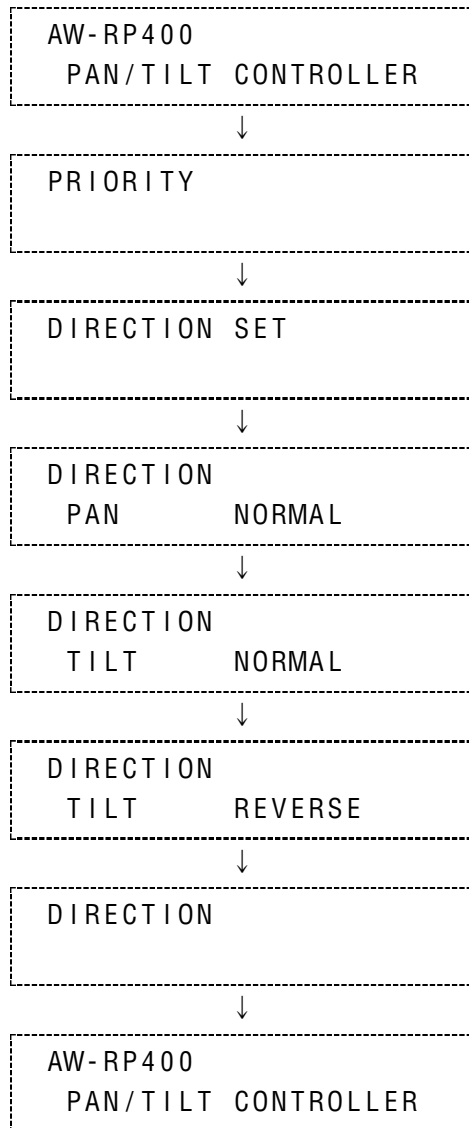
37 Ground terminal

Connect this terminal to ground.

Menu settings

■ Operation method

- ① The menu setting items are displayed when the MENU/LIMIT switch is held down for two or more seconds.
- ② If nothing appears on the bottom line of the LCD display, turn the CONT dial to select a menu item.
- ③ When the CONT dial is pressed, what has been set appears on the bottom line. If more than one setting is involved in the menu item, the settings on the bottom line are switched each time the dial is pressed.
- ④ When a setting is displayed, the setting can be changed by turning the CONT dial.
- ⑤ Press the CONT dial successively: all the detailed settings come to an end, and the display on the bottom line is cleared, enabling another menu item to be selected.
- ⑥ To exit the setting menu, hold down the MENU/LIMIT switch for two or more seconds.
Even when a setting is displayed on the bottom line of the LCD display, the menu is exited when the MENU/LIMIT switch is held down for two or more seconds.



Menu settings

■ List of menu items and settings

Menu item	Setting	Description	Initial value
PRIORITY		MASTER, SLAVE	MASTER
DIRECTION	PAN	NORMAL, REVERSE	NORMAL
	TILT		
	ZOOM		
	FOCUS		
	IRIS		
	ROTATION		
SPEED WITH ZOOM POS.		OFF, 1, 2, 3	OFF
MEMORY LENGTH		60s, 120s, 300s, 600s	60s
PRESET SPEED		1 to 25	25
IRIS CONTROL		BOTH, RP400, CB400	BOTH
ROTATION SWITCH		ROTATION, FOCUS, ZOOM, IRIS	ROTATION
OPTION SWITCH	A	NOT USE, LAMP, EFROSTER, WIPER, HEATER/FAN, AF, ND, OPTION, EXTENDER	NOT USE
	B		
	C		
	D		
	E		
	F		
	G		
H			
CONTROL SELECT MODE		INTERLOCK, UN-INTERLOCK	INTERLOCK
MONITOR2 SELECT	(When the controller is the master)	CB400, SLAVE	CB400
	(When the controller is the slave)	RP400, CB400	RP400
BUZZER		OFF, ON	ON
AUTO RUN	START No.	1 to 50	1
	END No.	1 to 50	50
	INTERVAL	1s to 30s	1s
	OPERATE	STOP, RUN	STOP
SD CARD		STORE, LOAD	---

PRIORITY (MASTER/SLAVE)

When two AW-RP400 pan/tilt head controllers have been connected, the priority of the CONTROL SELECT buttons is to be set.

When MASTER is selected as the setting, the master AW-RP400 has priority; when SLAVE is selected, the slave AW-RP400 has priority.

If the AW-RP400 controller with a high priority has selected the pan/tilt heads, which were selected by the AW-RP400 controller with a low priority, the CONTROL SELECT button lamps on the AW-RP400 controller with the low priority start flashing to indicate that the control rights have been ceded to the other controller. This setting is performed using the master AW-RP400 controller.

Menu settings

DIRECTION settings (PAN, TILT, ZOOM, FOCUS, IRIS, ROTATION NORMAL/REVERSE)

When the lever or dial is operated, the DIRECTION menu item enables the operational direction of PAN, TILT, ZOOM, FOCUS, IRIS or ROTATION to be set as the user desires.

- PAN:** When NORMAL is selected, the pan/tilt head moves toward the left when the PAN/TILT lever is tilted to the LEFT and toward the right when it is tilted to the RIGHT. When REVERSE is selected, the head moves in the opposite direction.
- TILT:** When NORMAL is selected, the pan/tilt head moves upward when the PAN/TILT lever is tilted toward UP and down when it is tilted toward DOWN. When REVERSE is selected, the head moves in the opposite direction.
- ZOOM:** When NORMAL is selected, the lens zoom moves toward the telephoto end when the ZOOM lever is tilted toward TELE and toward the wide-angle end when it is tilted toward WIDE. When REVERSE is selected, the zoom moves in the opposite direction.
- FOCUS:** When NORMAL is selected, the lens focus moves toward FAR when the FOCUS dial is turned clockwise and toward NEAR when it is turned counterclockwise. When REVERSE is selected, the lens focus moves in the opposite direction.
- IRIS:** When NORMAL is selected, the lens iris moves toward open when the IRIS dial is turned clockwise and toward closed when it is turned counterclockwise. When REVERSE is selected, the lens iris moves in the opposite direction.
- ROTATION:** When NORMAL is selected, the pan/tilt head moves clockwise when the top of the ROTATION control switch is pressed and counterclockwise when the bottom is pressed. When REVERSE is selected, the head moves in the opposite direction.

SPEED WITH ZOOM POS. setting (OFF/1/2/3)

At the OFF setting, the pan and tilt speed does not change in accordance with the zoom position.

At the 1, 2 or 3 setting, the panning and tilting of the pan/tilt head slows down as the zoom approaches the telephoto end, making it easier to adjust the pan or tilt position even at the telephoto end.

The higher the number selected for the setting, the slower the pan and tilt speed at the telephoto end, and the easier it is to adjust the position using a zoom lens with a high magnification rate.

PRESET SPEED setting (1 to 25)

During preset memory data play, this menu item enables the movement speed to the preset positions to be set to one of 25 steps. The higher the setting, the faster the movement speed to the preset positions; conversely, the lower the setting, the slower the movement speed.

IRIS CONTROL setting (BOTH/RP400/CB400)

When the AW-CB400 remote operation panel has been connected to the AW-RP400 controller, this menu item is used to set which controller is to be used to adjust the lens iris.

At the BOTH setting, the lens iris can be controlled from both the AW-RP400 and AW-CB400. At the RP400 setting, it can be controlled only from the AW-RP400; similarly, at the CB400 setting, it can be controlled only from the AW-CB400.

ROTATION SWITCH setting (ROTATION/FOCUS/ZOOM/IRIS)

This menu item enables ROTATION, FOCUS, ZOOM or IRIS to be selected as the function to be controlled by the ROTATION switch.

Menu settings

OPTION SWITCH A to H settings

(NOT USE / DEFROSTER / WIPER / HEATER/FAN / AUTO FOCUS / ND / OPTION / EXTENDER)

The following functions can be allocated to OPTION buttons A to H. Different functions can be allocated for different pan/tilt heads.

- NOT USE:** The button is disabled.
- DEFROSTER:** This controls the ON and OFF states of the defroster function when using a pan/tilt head system equipped with this function.
Each time the button is pressed, ON is switched to OFF or vice versa.
When the defroster function is ON, the lamp of the button to which this function has been allocated is lit; when it is OFF, the lamp is off.
- WIPER:** This controls the ON and OFF states of the wiper function when using a pan/tilt head system equipped with this function.
Each time the button is pressed, ON is switched to OFF or vice versa.
When the wiper function is ON, the lamp of the button to which this function has been allocated is lit; when it is OFF, the lamp is off.
- HEATER/FAN:** This controls the ON and OFF states of the heater/fan function when using a pan/tilt head system equipped with this function.
Each time the button is pressed, ON is switched to OFF or vice versa.
When the heater/fan function is ON, the lamp of the button to which this function has been allocated is lit; when it is OFF, the lamp is off.
- OPTION:** This controls the short-circuit and open-circuit states of the AC adaptor's OPTION CONTROL OUT connector when using an AC adaptor for a pan/tilt head system equipped with the OPTION switch control function.
Each time the button is pressed, short circuit is switched to open circuit or vice versa.
When short-circuited, the lamp of the button to which this function has been allocated is lit; when open-circuited, the lamp is off.
- ND:** This controls the ON and OFF states of the ND filter when using a lens equipped with an ND filter. Each time the button is pressed, ON is switched to OFF or vice versa.
When the ND filter is ON, the lamp of the button to which this function has been allocated is lit; when it is OFF, the lamp is off.
- EXTENDER:** This controls the ON and OFF states of the extender when using a lens equipped with an extender. Each time the button is pressed, ON is switched to OFF or vice versa.
When the extender is ON, the lamp of the button to which this function has been allocated is lit; when it is OFF, the lamp is off.
- AF:** This controls the ON and OFF states of the auto focus function when using a lens equipped with this function.
Each time the button is pressed, ON is switched to OFF or vice versa.
When the auto focus function is ON, the lamp of the button to which this function has been allocated is lit; when it is OFF, the lamp is off.

MEMORY LENGTH setting (60s/120s/300s/600s)

This menu item is used to set the tracing memory data recording time and the number of memories.

- 60s** : 60 sec. × 10 memories
- 120s** : 120 sec. × 5 memories
- 300s** : 300 sec. × 2 memories
- 600s** : 600 sec. × 1 memory

- When data has already been registered in a tracing memory, the setting for the recording time and number of memories cannot be changed. To reset a setting, delete the registered data in the tracing memory first.

CONTROL SELECT MODE setting (INTERLOCK/UN-INTERLOCK)

This menu item is for selecting the method used to select the pan/tilt head and camera when the AW-CB400 remote operation panel has been connected to the AW-RP400 controller.

INTERLOCK: When the pan/tilt head and camera system are selected by the AW-RP400 or AW-CB400, the same system is selected by the other unit as well.

UN-INTERLOCK: A different pan/tilt head and camera system can be selected by the AW-RP400 and AW-CB400.

Menu settings

MONITOR SELECT setting

This menu item is used to select the controller used to switch the images of the AW-RC400's MONITOR2 output when the AW-CB400 remote operation panel and a second AW-RP400 have been connected to this AW-RP400 controller and the AW-RC400 cable compensator is used.

By setting the master AW-RP400 and slave AW-RP400, the camera images which have been selected by the controller given in the table below are output as the AW-RC400's monitor output.

AW-RP400 menu setting		AW-RC400	
Master unit	Slave unit	MONITOR1	MONITOR2
MON2 = CB400	MONITOR2 = setting disabled	Master RP400	Master CB400
MON2 = SLAVE	MONITOR2 = RP400	Master RP400	Slave RP400
	MONITOR2 = CB400	Master RP400	Slave CB400

When the cable compensator has been connected to the slave AW-RP400, the images selected by the slave AW-RP400 are output to MONITOR1 on the AW-RP400 and the images selected by the slave AW-CB400 are output to MONITOR2 regardless of this setting.

BUZZER setting (OFF/ON)

This menu item is used to select ON or OFF for the buzzer inside the controller. The buzzer does not sound at the OFF setting.

The buzzer sounds when the CALL button has been pressed or when a tracing memory operation (record, play or change) is started, suspended or ended.

AUTO RUN setting (START No., END No., INTERVAL)

This menu item enables the presets of the pan/tilt head to be repeated automatically.

START No. (1 to 50): This sets the first number of the preset to be repeated.

END No. (1 to 50): This sets the last number of the preset to be repeated.

INTERVAL (1s to 30s): This sets the stop time at the preset position.
Up to 30 seconds can be set in 1-second increments for the stop time.

OPERATE (STOP/RUN): When RUN is selected, the presets from the START No. to STOP No. are played repeatedly; when STOP is selected, operation stops.
When the PAN/TILT lever is operated, STOP is selected automatically, and operation stops.

SD CARD setting

The menu setting data of this controller, the preset memory data of the pan/tilt heads and the setting data of the cameras can be stored on SD memory cards.

If the MENU button is pressed while STORE is displayed, the setting data is stored on the SD memory card.

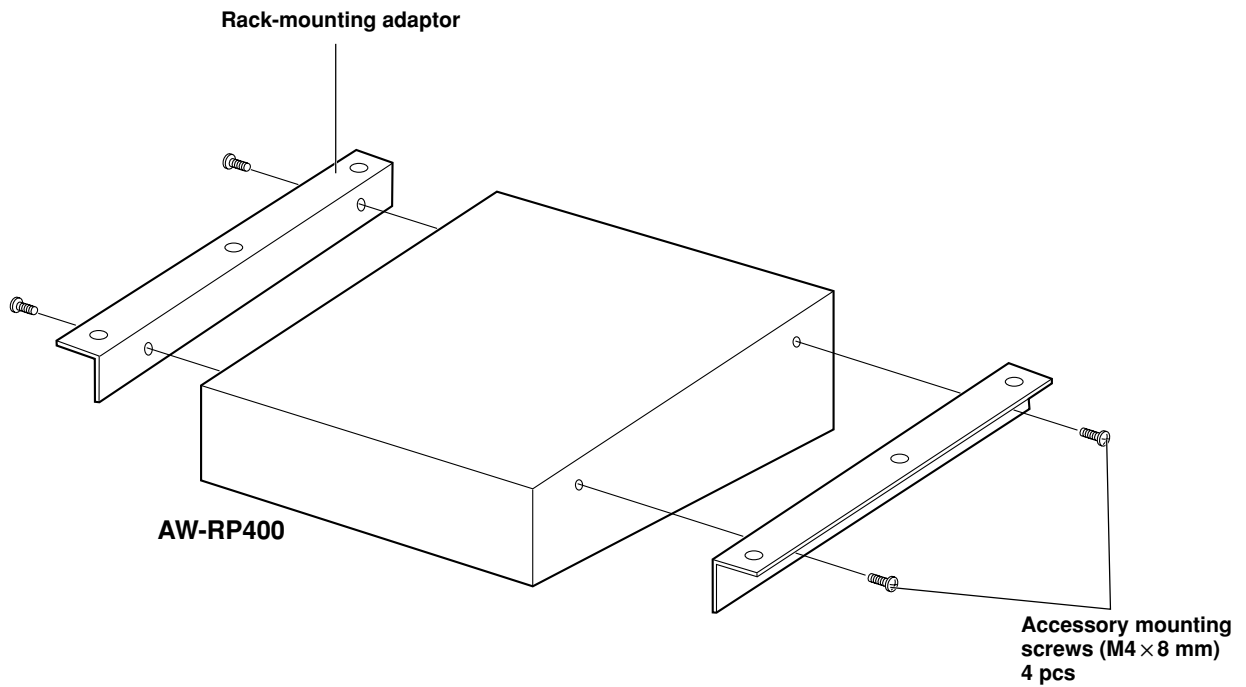
If the MENU button is pressed while LOAD is displayed, the data stored on the SD memory card is called, and the settings are loaded into the controller, pan/tilt heads and cameras.

- The tracing memory data is not stored.

Example of rack mounting

■ How to mount the AW-RP400 in a rack

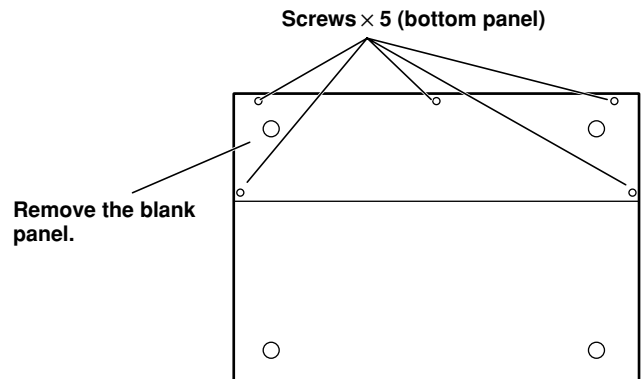
- ① Use the accessory mounting screws (M4 × 8 mm) to attach the rack-mounting adaptors.



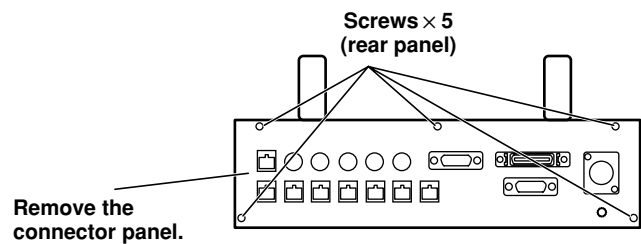
Example of rack mounting

■ How to change the direction of the connector panel

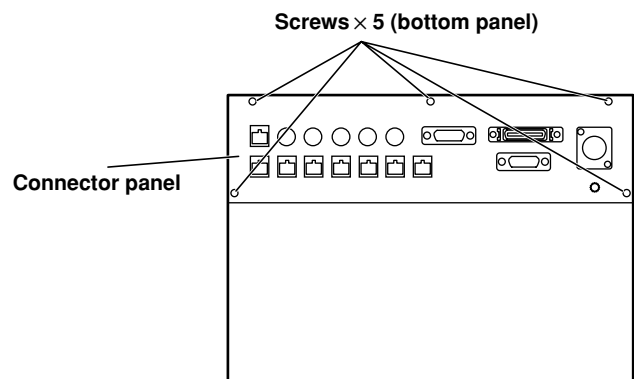
- ① Remove the five bottom panel screws, and remove the blank panel.



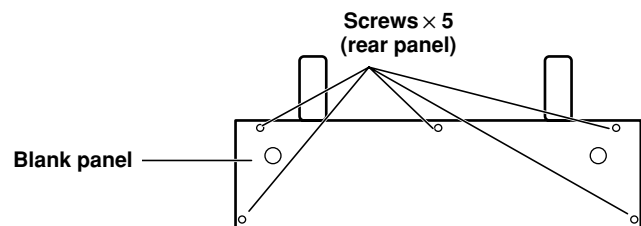
- ② Remove the five rear panel screws, and remove the connector panel.



- ③ Secure the connector panel to the bottom panel using the screws.



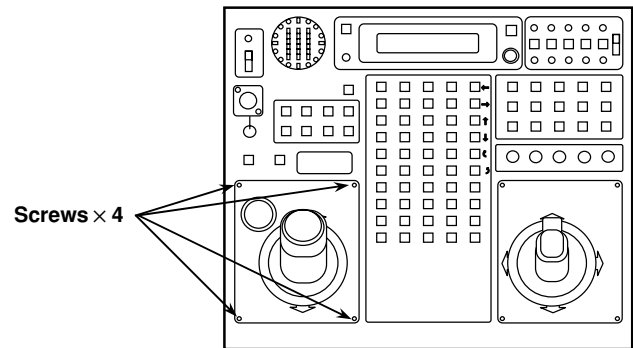
- ④ Secure the blank panel to the rear panel using the screws.



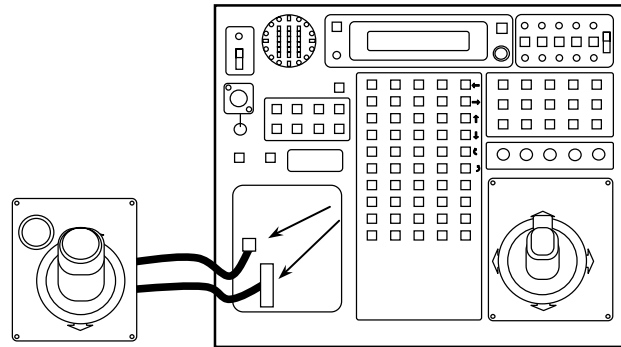
Example of rack mounting

■ How to replace the zoom switch

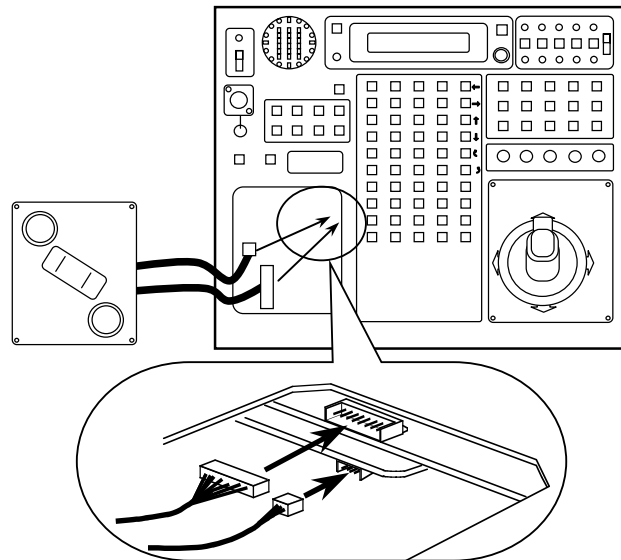
- ① Remove the four screws that secure the zoom lever.



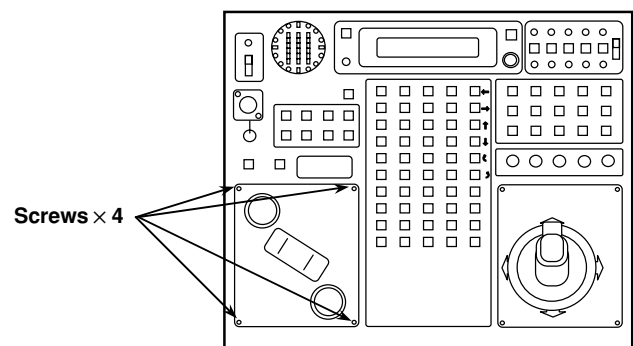
- ② Pull out the zoom lever, disconnect the two cables from the circuit board inside, and remove the zoom lever.



- ③ Plug the two cables extending from the zoom switch into the connectors on the circuit board inside.



- ④ Secure the zoom switch using the four screws.



Replacing the consumable parts

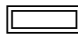
The joysticks and zoom switch are consumables.

Replace them if they are not working properly.

Ask your dealer to do the replacement work.

Specifications

Supply voltage:	DC 10.8V to 16V
Power consumption:	Approx. 11W

 indicates safety information.

Input connectors

DC 12V IN:	XLR, 4 pins
CONTROL IN FROM ROP:	D-SUB 15-pin, cable supplied with AW-CB400 remote operation panel
CONTROL IN FROM RCB:	10-pin round connector, cable supplied with WV-CB700A
EXT CONT IN:	RJ45, additional AW-RP400 control signal input; 10BASE-T straight cable (UTP category 5), max. 500 meters
REMOTE:	50-pin D-SUB connector, external control input, AW-CA50T9

Output connectors

CONTROL OUT TO PAN/TILT HEAD:	RJ45, pan/tilt head control signal output; 10BASE-T straight cable (UTP category 5), max. 500 meters
MONI SEL OUT:	RJ45, monitor switching signal output; 10BASE-T straight cable (UTP category 5), max. 50 meters
EXT CONT OUT:	RJ45, additional AW-RP400 control signal output; 10BASE-T straight cable (UTP category 5), max. 500 meters

Input/output connectors

INCOM (top panel):	XLR, 4 pins
TALLY/INCOM:	D-SUB, 15-pin TALLY: Contact input (Do not apply a voltage in excess of 5V to this connector.) INCOM: 4-wire system

Switch functions:

Master/slave switching, OPERATE control, home position, menu/limit switch, optional function operations, pan/tilt head selection, lens iris AUTO/MANU/LOCK switching, preset memory data operations, tracing memory data operations, call

Adjustment functions:

LCD contrast, INCOM level, lens iris, zoom, focus, pan/tilt/rotation, zoom speed, focus speed, pan speed, tilt speed, rotation speed, menu settings

Ambient operating temperature: -10°C to +45°C

Storage temperature: -20°C to +60°C

Ambient operating humidity: 30% to 90% (no condensation)

Dimensions (W × H × D): 320 × 85 × 266 mm

Weight: Approx. ?? kg

Finish: Colour resembling Munsell 3.5

Introduction

- The AW-RC400 is capable of providing cable compensation for analogue composite, analogue Y/C or analogue component signals in five channels up to 500 meters (when the 5C-2V connecting cable or its equivalent is used).
- It features a 5us advance function for the sync signals in order to provide easy support for a system (another cable compensator is required) in which the coaxial cable connected between this AW-RC400 cable compensator and the camera is longer than 500 meters.

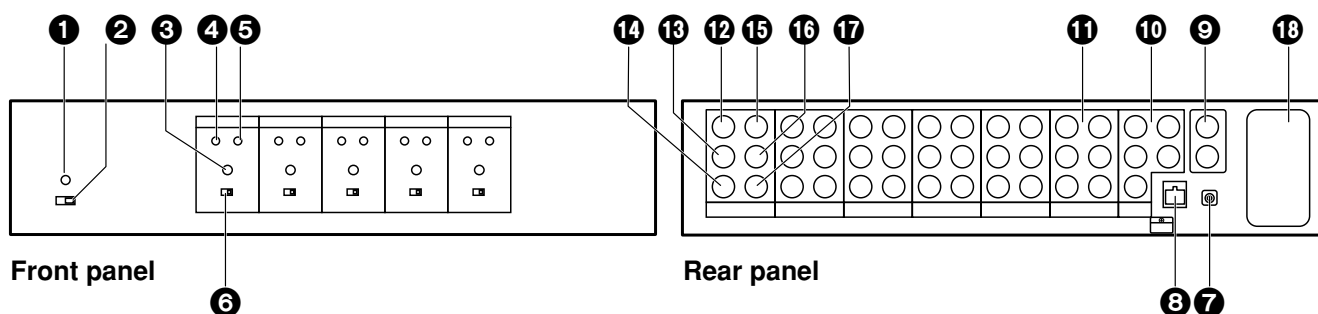
NOTE

- Input either sync signals to the sync signal input connector on the AW-RC400 cable compensator or input video signals to one of the video channels (input composite signals or Y signals with sync to video input connector 1). If neither of these signals is input, the monitor selection will not be controlled.
- The AW-RC400 provides cable compensation for the three Y, Pr and Pb signal channels by means of a single control. This means that the Y, Pr and Pb signals cannot be adjusted separately. In the same way, the Y and C signals cannot be adjusted separately.
- The AW-RC400 is a cable compensator and, as such, it does not come with signal conversion functions (for converting component signals into composite signals, for instance).
- When the cable compensator is to be discarded at the end of its service life, ask a specialized contractor to dispose of it properly in order to protect the environment.

Accessories

Rack-mounting adaptors	2
Mounting screws (M4 × 8 mm)	4

Parts and their function



1 Power LED

This lights up green when the (2) POWER switch is set to ON while a DC 12V voltage is supplied to the (7) DC 12V IN socket.

2 POWER switch

Set this to ON to turn on the cable compensator's power. Part of the power supply circuitry will still operate even when the power switch is at the OFF position. To turn off the power completely, disconnect the AC adaptor.

3 Cable length setting switches [0 to 5]

Set these switches according to the length of the coaxial cable connected. [0] is used to provide the minimum amount of cable compensation, and [5] the maximum amount. As a general guideline, set to [1] if the coaxial cable is 100 meters long, and [2] if it is 200 meters long.

4 Y LEVEL control

Use this to adjust the output level of the cable compensation output signals (video output).

5 F RESPONSE control

Use this to adjust the amount of cable compensation (frequency response compensation) for the cable compensation output signals.

6 SHORT/LONG selector switch

This is normally used at the SHORT position. Set it to LONG if the coaxial cable from the camera is a long one and the camera's sync adjustment range is insufficient, or if the cable compensator is used as part of a system (another cable compensator is required) in which the coaxial cable (5C-2V or equivalent) connected to the camera is longer than 500 meters.

7 DC 12V IN socket

This is the power input socket. Connect the AW-PS301 AC adaptor (sold separately) here.

8 MONI SEL IN connector

Control signals for selecting the video signals output to the MONITOR1 or 2 connector are supplied to this connector. Connect it to the MONI SEL OUT connector on AW-RP400 pan/tilt head controller using a 10BASE-T straight cable (equivalent to UTP category 5). It is then possible to output the video signals of the camera selected by the AW-RP400 or the AW-CB400 remote operation panel which is connected to the AW-RP400, to the MONITOR1 or MONITOR2 connector.

9 G/L IN connectors

The sync signals (black burst signals) are input here. These connectors are automatically terminated internally by a 75-ohm resistance. The top and bottom connectors have the same specifications, and the signals can be connected to either one. The termination is released if BNC cables are connected to both input connectors (when they are used in a loop-through configuration).

10 G/L OUT connectors [1 to 5]

The genlock signals supplied to the G/L IN connector can be distributed and output to five cameras.

Use sync signal outputs 1 to 5 to correspond to video signal channels 1 to 5.

The signals of sync signal output connector 1 are supplied to the camera connected to video input connector 1.

Parts and their function

11 MONITOR1, 2 connectors

The video signals of the cameras selected by the AW-RP400 pan/tilt head controller or the AW-CB400 remote operation panel which is connected to the AW-RP400 are output from these connectors.

The output signals are cable-compensated signals of the same type as the input signals. For instance, if a channel to which composite signals have been input is selected, these composite signals will be cable-compensated and output.

12 Y/VIDEO IN connectors [1 to 5]

The analogue video signals are input to these connectors. They are terminated internally by a 75-ohm resistance.

Either Y (component signals or Y of the Y/C signals with sync) or VIDEO (composite) signals are supplied.

13 Pr/C IN connectors [1 to 5]

The analogue video signals are input to these connectors. They are terminated internally by a 75-ohm resistance.

Either Pr (R-Y among the component signals) or C (C of the Y/C signals) signals are supplied.

14 Pb IN connectors [1 to 5]

The analogue video signals are input to these connectors. They are terminated internally by a 75-ohm resistance.

The Pb (B-Y among the component signals) signals are supplied.

15 Y/VIDEO OUT connectors [1 to 5]

The analogue video signals are output from these connectors. Cable-compensated Y or VIDEO (composite) signals that are in accordance with the input signals are output. Y signals are output if component Y signals have been input to the Y/VIDEO IN connectors [1 to 5], and composite signals are output if composite signals have been input.

16 Pr/C OUT connectors [1 to 5]

The analogue video signals are output from these connectors. Cable-compensated Pr or C signals that are in accordance with the input signals are output.

Pr signals are output if Pr signals have been input to the Pr/C IN connectors [1 to 5], and C signals are output if C signals have been input.

17 Pb OUT connectors [1 to 5]

The analogue video signals are output from these connectors. Cable-compensated Pb signals are output if Pb signals have been input to the Pb IN connectors [1 to 5].

18 AC adaptor storage space

The AC adaptor can be stored here when the ambient temperature in the location where the cable compensator has been installed is under 30°C. Remove the two screws, and remove the storage space cover. Pull out the AW-PS301 AC adaptor, and stow it away while ensuring that the cable is not subjected to stress. Trouble will occur in the AC adaptor if the ambient temperature exceeds 30°C, in which case it should not be stored in the space.

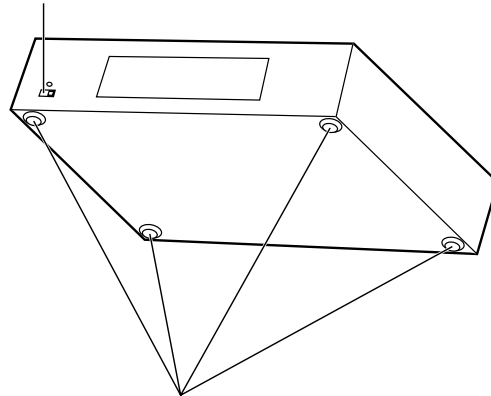
Example of rack mounting

■ How to mount the AW-RC400 in a rack

Use the accessory rack-mounting adaptors and accessory mounting screws (M4 × 8 mm) to mount the unit in a rack.

- ① Press the POWER switch to turn off the power.
- ② Remove four feet on the bottom of the unit.

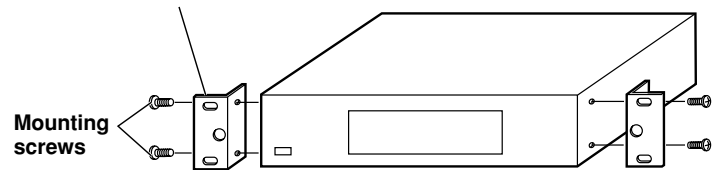
POWER switch



Remove four feet.

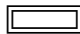
- ③ Place the rack-mounting adaptors to the both ends of the unit, and fix it using four mounting screws.

Rack-mounting adaptor



Specifications

Supply voltage:	DC 10.8V to 16V
Power consumption:	Approx. 9W

 indicates safety information.

Input connectors

DC 12V IN:	For connecting accessory AC adaptor (AW-PS301)
G/L IN:	BNC × 2, automatically terminated by 75-ohm resistance, loop-through output, black burst
VIDEO/Y, Pr/C, Pb:	BNC × 3 (5 sets), 75-ohm termination Composite 1 Vp-p Y/C Y: 1 Vp-p (with sync) C: 0.286V (burst) Component Y: 1 Vp-p (with sync) Pr, Pb: 0.7Vp-p
MONI SEL IN:	RJ45 Connecting cable: 10BASE-T straight cable (UTP category 5), max. 50 meters

Output connectors

G/L OUT:	BNC × 5, 75-ohm output, 5C-2V connecting cable, max. 1000 meters
VIDEO/Y, Pr/C, Pb:	BNC × 3 (5 sets), 75-ohm output Composite 1 Vp-p Y/C Y: 1 Vp-p (with sync) C: 0.286V (burst) Component Y: 1 Vp-p (with sync) Pr, Pb: 0.7Vp-p (Cable compensation adjustment is required)
MONITOR OUT1/2:	BNC × 3 (2 sets), 75-ohm output

Switch and adjustment functions: Power ON/OFF; cable length setting 0/1/2/3/4/5; sync signal setting SHORT/LONG; cable compensation amount adjustment; video level adjustment

Ambient operating temperature: 0°C to +40°C

Storage temperature: -20°C to +60°C

Ambient operating humidity: 30% to 90% (no condensation)

Dimensions (W × H × D): 420 × 250 × 88 mm

Weight: Approx. 3.7 kg

Finish: AV ivory paint (colour resembling Munsell 7.9Y6.8/0.8)

Introduction

- The AW-RL400 roll unit enables a camera to be rotated when it is used in combination with the AW-PH400 indoor pan/tilt head.

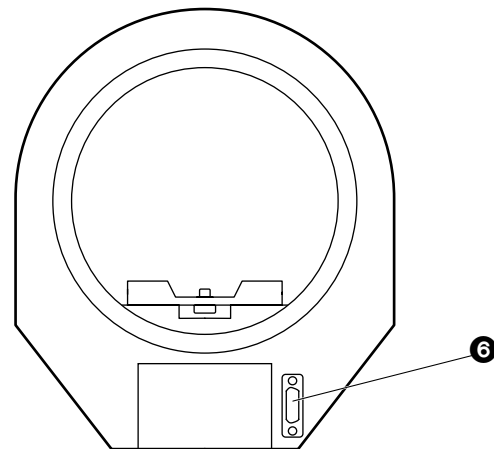
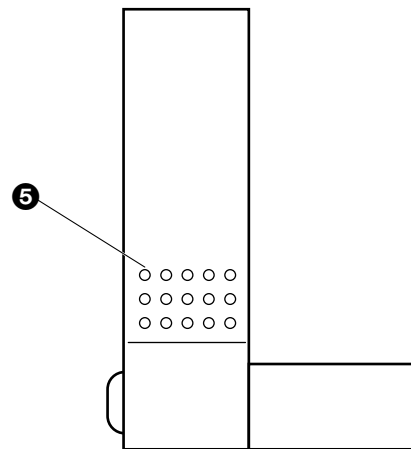
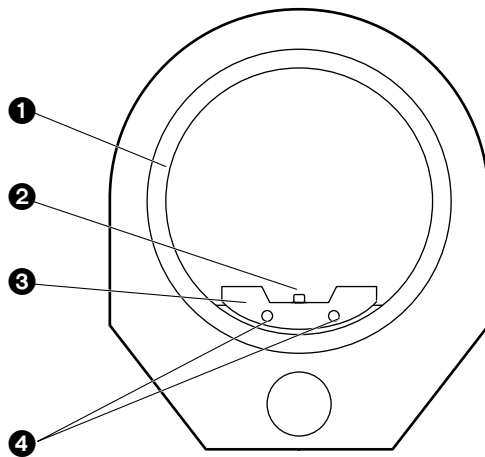
NOTE

- Since the roll unit causes the camera to rotate, the user should ensure that all the wiring such as the camera cable and lens cable will not become entangled when the roll unit is operated.
- When the roll unit is to be discarded at the end of its service life, ask a specialized contractor to dispose of it properly in order to protect the environment.

Accessories

Pan/tilt head connecting cable	1
Mounting screws (M4 × 8 mm)	3

Parts and their function



① Rotary ring

② Camera mounting screw (U1/4"-20UNC)

After mounting the camera, secure it firmly using this screw.

③ Camera mounting plate

Mount the camera on this plate using the camera mounting screws.

④ Camera mounting plate anchoring screws

After mounting the camera on the camera mounting plate, anchor it to the roll unit using these screws.

⑤ Roll unit anchoring screw holes

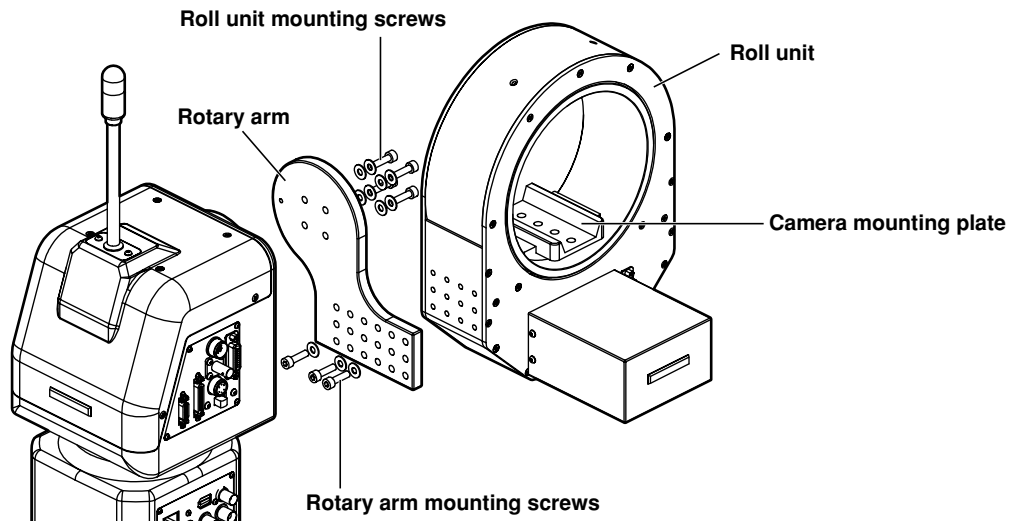
This is where the roll unit is secured to the rotary arm of the pan/tilt head.

⑥ Pan/tilt head connector

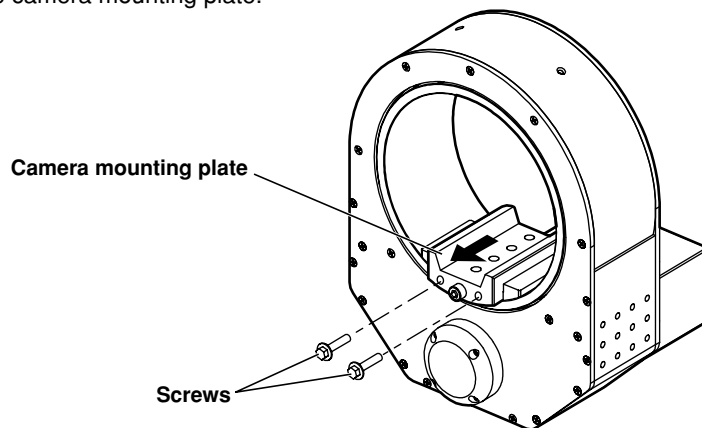
Connect this to the OPTION connector on the pan/tilt head using the pan/tilt head connecting cable supplied.

Installation

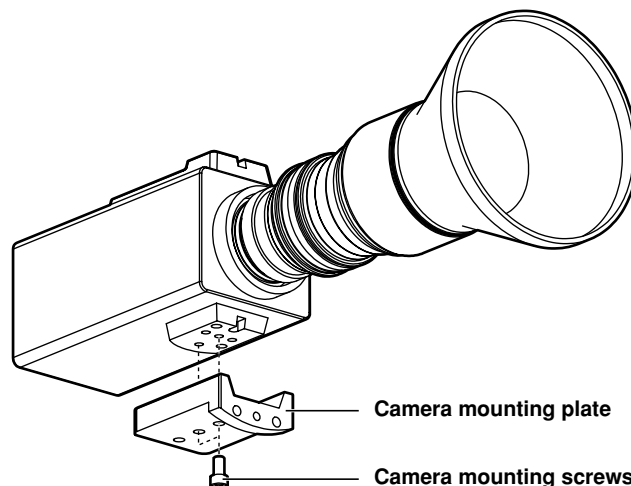
- ① Attach the pan/tilt head's rotary arm to the roll unit using the accessory three screws (M4 × 8 mm, with flat washers).
- ② Attach the rotary arm to the pan/tilt head using the rotary arm mounting screws (M5 × 20 mm, with flat washers, pan/tilt head accessory).



- ③ Loosen the two screws of camera mounting plate which is already installed to the roll unit. Then remove the camera mounting plate.

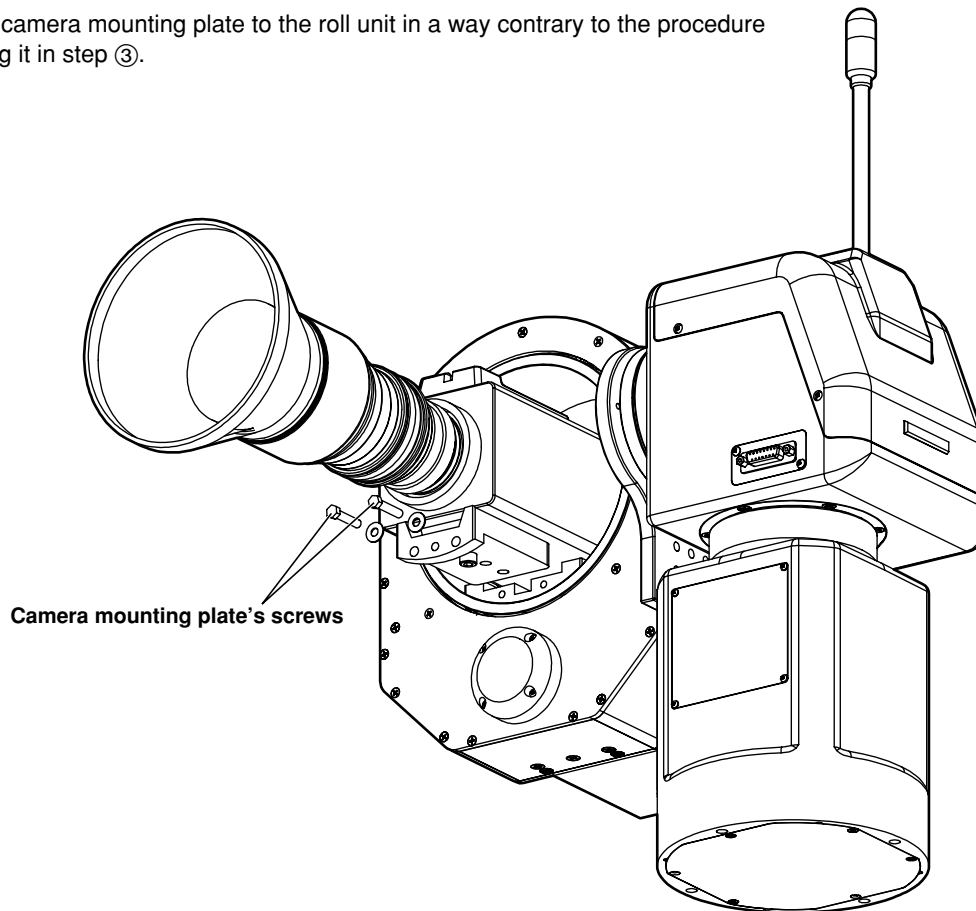


- ④ Attach the camera mounting plate (it was removed in step ③) to the camera unit using two camera mounting screws (camera accessory).



Installation

- ⑤ Attach the camera mounting plate to the roll unit in a way contrary to the procedure of removing it in step ③.



Specifications

Supply voltage:	DC 24V
Power consumption:	Approx. 24W

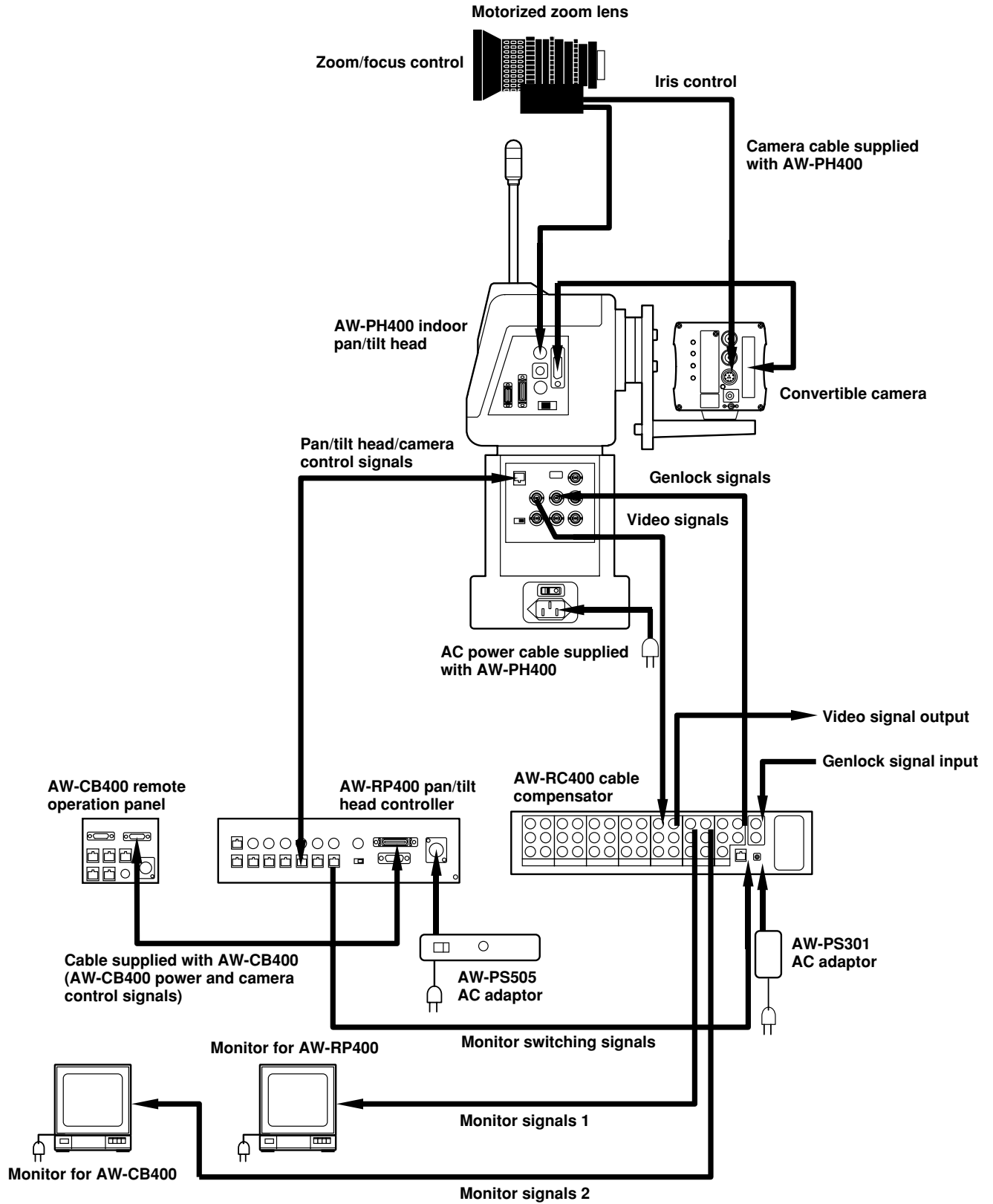
indicates safety information.

Pan/tilt head connector:	Connected to pan/tilt head using cable supplied
Performance:	<p>Maximum load-bearing capability: 4 kg</p> <p>Rotary range: 380 degrees (approx. ± 190 degrees)</p> <p>Maximum operating speed: 60 degrees/sec.</p> <p>Repeatability: Less than ± 1 degree</p> <p>Noise level: Less than ???</p>
Ambient operating temperature:	0°C to +40°C
Storage temperature:	-20°C to +60°C
Ambient operating humidity:	30% to 90% (no condensation)
Dimensions (W × H × D):	205 × 198 × 260 mm
Weight:	Approx. 3.9 kg
Finish:	AV ivory paint (colour resembling Munsell 7.9Y6.8/0.8)

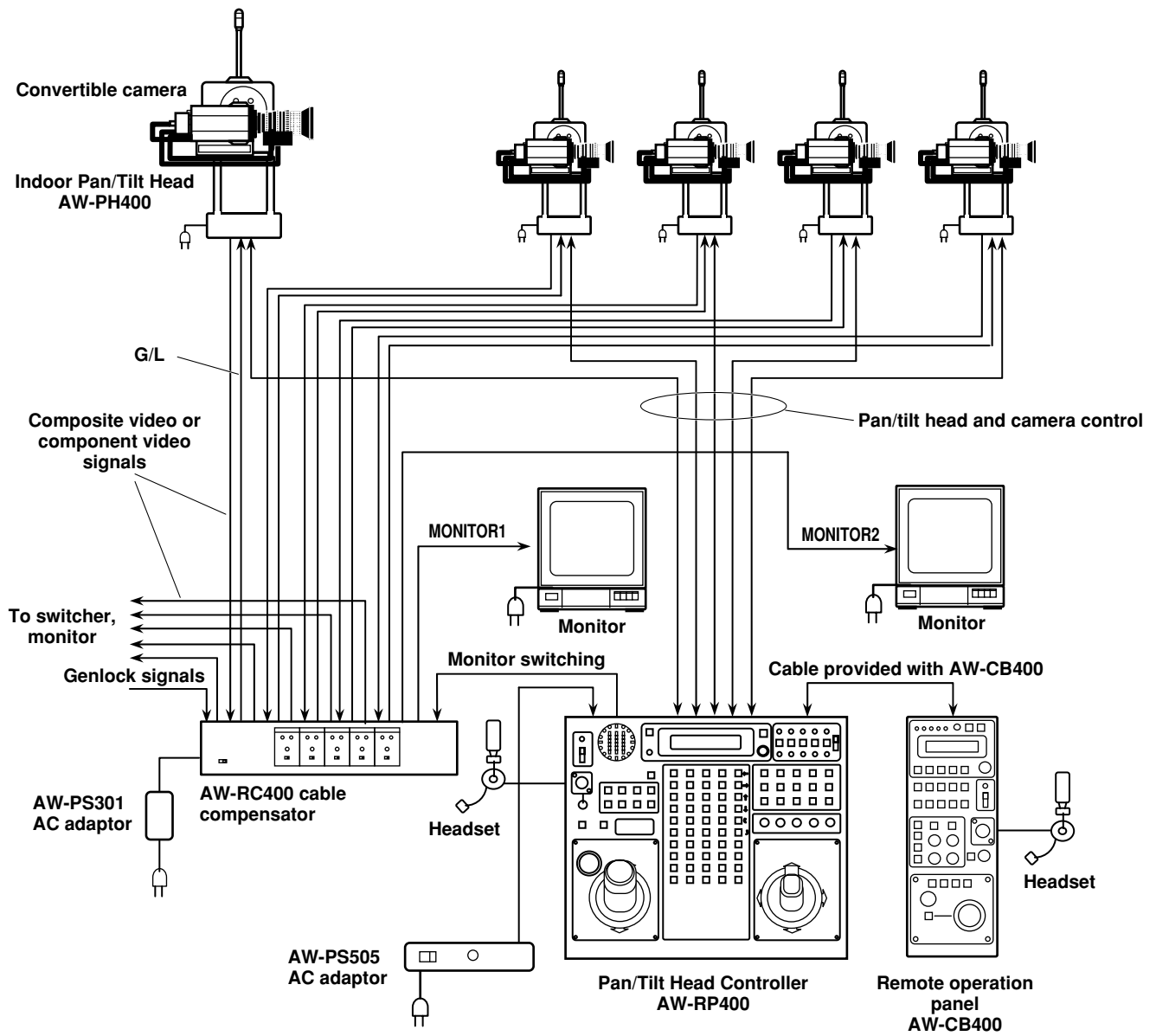
Connections

- Turn off the power of all the equipment before proceeding with the connections.
- Use the AW-PS505 as the AC adaptor for the AW-RP400 pan/tilt head controller. Use the DC cable supplied with the AW-PS505 to connect the DC 12V IN socket on the AW-RP400 with the DC 12V OUT socket on the AW-PS505.
- Connect the AC power cable supplied with the AW-PH400 for the AW-PH400 indoor pan/tilt head.
- Use the AC adaptor supplied with the AW-RC400 for the AW-RC400 cable compensator.
- Use 10BASE-T straight cables to connect the IP/RP connectors on the pan/tilt heads with the CONTROL OUT TO PAN/TILT HEAD (1 to 5) connectors on the AW-RP400. The maximum extension distance is 500 meters when using UTP category 5 cables or their equivalent.
- Use the camera cables supplied with the pan/tilt head to connect the AW-PH400 to the convertible camera. Supplied with the pan/tilt head are a cable for the composite/component signals, a cable for IEEE1394 cards and a cable for WEB cards. Select the camera cable that matches the intended application.
- Connect the iris control cable of the motorized zoom lens to the IRIS connector on the camera, and connect the zoom/focus cable to the LENS I/F connector on the pan/tilt head.
- Use either the AW-CB400 remote operation panel or WV-CB700A remote control box for camera control. The AW-CB400 and WV-CB700A cannot be used together.
- When using the AW-CB400, use the cable (10 m) supplied with the AW-CB400 to connect the CAMERA CONTROL IN FROM RCP connector on the AW-RP400 with the I/F CONNECTOR on the AW-CB400. Five cameras can be controlled from the AW-CB400. Power is supplied through this cable from the AW-RP400 to the AW-CB400 so the AC adaptor need not be connected to the AW-CB400.
- When using the WV-CB700A, use the RCB cables (2 m) supplied with the WV-CB700A to connect the CAMERA CONTROL IN FROM RCB (1 to 5) connectors on the AW-RP400 with the RCB connectors on the WV-CB700A. Only one camera can be controlled from the WV-CB700A. If there is a multiple number of cameras, one AW-CB700A will be required for each camera. It is also necessary to align the number of the CONTROL OUT TO PAN/TILT HEAD connectors connected to the cameras to be controlled with the CAMERA CONTROL IN FROM RCB connectors used to connect the WV-CB700A.
- Use the 10BASE-T straight cable to connect the MONI SEL OUT connector on the AW-RP400 with the MONI SEL IN connector on the AW-RC400. The maximum extension distance is 50 meters when using a UTP category 5 cable or its equivalent. By connecting these MONI SEL connectors, the video signals of the camera selected by the AW-RP400 can be output from the MONITOR1 connector and the video signals of the camera selected by the AW-CB400 can be output from the MONITOR2 connector. When the WV-CB700A is used, MONITOR2 cannot be switched.
- Use a coaxial cable to connect the AW-RC400 and AW-PH400.
- Supply the genlock signals from a unit such as a signal generator to the G/L IN connector on the AW-RC400, and connect the G/L OUT (1 to 5) connectors on the AW-RC400 with the G/L IN connectors on the pan/tilt heads.
- When using composite signals, connect the VIDEO connectors on the pan/tilt heads and Y/VIDEO connectors (1 to 5) on the AW-RC400.
- Also connect the Y/VIDEO OUT connectors on the AW-RC400 to switchers or monitors.
- When using Y/C signals, connect the Y connectors and Pr/C connectors on the pan/tilt heads to the Y/VIDEO connectors and Pr/C connectors, respectively, on the AW-RC400. Also connect the Y/VIDEO OUT connectors and Pr/C connectors on the AW-RC400 to switchers or monitors.
- When using component signals, connect the Y connector, Pr/C connector and Pb connector on the pan/tilt head to the Y/VIDEO connector, Pr/C connector and Pb connector, respectively, on the cable compensator. Also connect the Y/VIDEO OUT connectors, Pr/C connectors and Pb connectors on the AW-RC400 to switchers or monitors.

Connections



Example of system configuration



■ Turning on the power

- ① When using one AW-RP400, set its EXT CONT [M/S] switch to the [M] position.
- ② Turn on the power.
First set the power switch on the AC adaptor for the AW-RP400 and AC power switch on the AW-PH400 to ON, and then set the OPERATE switch on the AW-RP400 to ON.

■ Setting the movement range (limiters) of the AW-PH400 indoor pan/tilt head

If there are any objects obstructing the movement of the AW-PH400 indoor pan/tilt head in the immediate vicinity, set restrictions on the movement range (limiters: left, right, top and bottom limits of rotation).

When the AW-RL400 roll unit is connected to the AW-RP400, set the movement limits (clockwise and counterclockwise limits) of the roll unit as well.

Before using these units, set these limits without fail.

- When it is shipped, the AW-PH400 is set up to be placed on a stand or base. If it is to be suspended from the ceiling, the mounting direction switch must be set without fail. If this setting is not performed correctly, the directions of the pan/tilt operations will be reversed, and the movement range (limiter) settings of the pan/tilt head will not be stored in the memory properly. For details on the setting methods and related aspects, refer to "Setting the mounting direction switch" in the operating instructions for the AW-PH400.

Now proceed with the settings for the AW-RP400 pan/tilt head controller.

- ① Use the CONTROL SELECT buttons to select the pan/tilt head whose movement range (limiters) is to be set.
- ② To set the left limit, use the PAN/TILT lever to rotate the pan/tilt head as far as the left limit which is to be set.
While holding down the MENU/LIMIT button, press the PRESET MEMORY button [5].
Once the limit is set, the lamp of the PRESET MEMORY button [45] will light.
To release the setting, press the PRESET MEMORY button [5] again while holding down the MENU/LIMIT button.
Once the setting is released, the lamp of the PRESET MEMORY button [50] will light.
- ③ To set the right limit, use the PAN/TILT lever to rotate the pan/tilt head as far as the right limit which is to be set.
While holding down the MENU/LIMIT button, press the PRESET MEMORY button [10].
Once the limit is set, the lamp of the PRESET MEMORY button [45] will light.
To release the setting, press the PRESET MEMORY button [10] again while holding down the MENU/LIMIT button.
Once the setting is released, the lamp of the PRESET MEMORY button [50] will light.
- ④ To set the top limit, use the PAN/TILT lever to rotate the pan/tilt head as far as the top limit which is to be set.
While holding down the MENU/LIMIT button, press the PRESET MEMORY button [15].
Once the limit is set, the lamp of the PRESET MEMORY button [45] will light.
To release the setting, press the PRESET MEMORY button [15] again while holding down the MENU/LIMIT button.
Once the setting is released, the lamp of the PRESET MEMORY button [50] will light.
- ⑤ To set the bottom limit, use the PAN/TILT lever to rotate the pan/tilt head as far as the bottom limit which is to be set.
While holding down the MENU/LIMIT button, press the PRESET MEMORY button [20].
Once the limit is set, the lamp of the PRESET MEMORY button [45] will light.
To release the setting, press the PRESET MEMORY button [20] again while holding down the MENU/LIMIT button.
Once the setting is released, the lamp of the PRESET MEMORY button [50] will light.

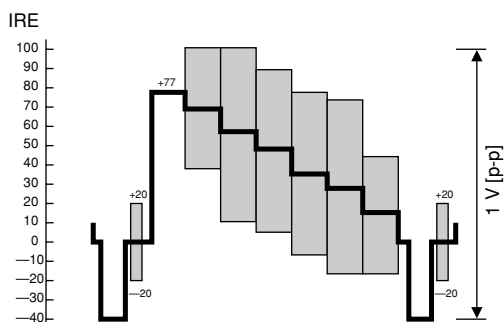
Operating procedures

- ⑥ To set the counterclockwise limit of the roll unit, use the ROTATION switch to rotate the roll unit as far as the limit in the counterclockwise direction which is to be set.
While holding down the MENU/LIMIT button, press the PRESET MEMORY button [25].
Once the limit is set, the lamp of the PRESET MEMORY button [45] will light.
To release the setting, press the PRESET MEMORY button [25] again while holding down the MENU/LIMIT button.
Once the setting is released, the lamp of the PRESET MEMORY button [50] will light.
- ⑦ To set the clockwise limit of the roll unit, use the ROTATION switch to rotate the roll unit as far as the limit in the clockwise direction which is to be set.
While holding down the MENU/LIMIT button, press the PRESET MEMORY button [30].
Once the limit is set, the lamp of the PRESET MEMORY button [45] will light.
To release the setting, press the PRESET MEMORY button [30] again while holding down the MENU/LIMIT button.
Once the setting is released, the lamp of the PRESET MEMORY button [50] will light.

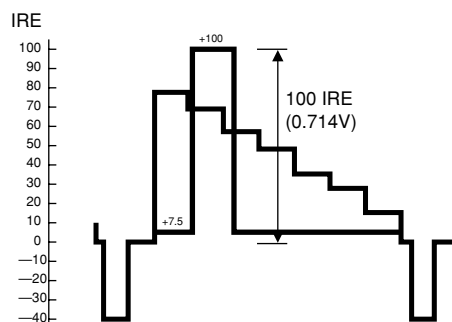
■ Providing cable compensation for the cameras

Make these adjustments using the AW-RC400 cable compensator.

- ① Connect a waveform monitor to the video output connector on the AW-RC400, and set the signals supplied to the corresponding video input connector to colour bar signals.
- ② Set the waveform monitor to the H rate (see figure below), and while monitoring the rise and fall sections of the waveforms, set the cable length setting switch at the point where the undershoot and overshoot are kept to the minimum. At this time, keep the Y LEVEL control and F RESPONSE control at their centre positions.
- ③ Turn the F RESPONSE control, and adjust in such a way that the undershoot and overshoot of the waveforms in the rise and fall sections are kept to the minimum. If the adjustment range of the control is exceeded, see if another setting can be selected for the cable length setting switch.
- ④ Next, use the Y LEVEL control to obtain the prescribed video level.
- ⑤ With component signals, while observing the Y signal on the waveform monitor in the same way as with the composite signals, use the cable length setting switch, F RESPONSE control and Y LEVEL control to adjust the cable compensation in such a way that the prescribed video signals are obtained.
- ⑥ Next, view the Y, Pr and Pb signals in their entirety, and re-adjust the F RESPONSE control and Y LEVEL control in such a way that the optimum cable compensation is provided.
- ⑦ With Y/C signals as well, first adjust the Y signal in the same way as with the component signals, view both the Y and C signals, and adjust in such a way that the optimum cable compensation is provided.



Waveform monitor (composite signals)



Waveform monitor (component signals)

Operating procedures

■ Genlock adjustments for the respective cameras

For details on the genlock adjustments, refer to the operating instructions of the AW-CB400 remote operation panel or WV-CB700A remote control box.

■ Video adjustments for the cameras

Adjust the total pedestal (black level), white balance, black balance, etc. of the cameras.
For details on the camera adjustments, refer to the operating instructions of the AW-CB400 remote operation panel or WV-CB700A remote control box.

■ Tracing memory settings

Perform these settings on the AW-RP400 pan/tilt head controller.

The AW-RP400 comes with a tracing memory function for registering the paths along which the pan/tilt head systems move. Using this function, the data is registered in TRACING MEMORY buttons 1 to 10.

Setting the recording time and number of memories

- ① Select the first pan/tilt head system using one of the CONTROL SELECT buttons.
- ② Set the recording time in the tracing memory and the number of memories using the TR MEMORY LENGTH menu setting.

MEMORY LENGTH	Setting
60s	60 sec. × 10 memories (buttons 1 to 10)
120s	120 sec. × 5 memories (buttons 1 to 5)
300s	300 sec. × 2 memories (buttons 1, 2)
600s	600 sec. × 1 memory (button 1)

- It is not possible to set TR MEMORY LENGTH if data has already been registered in the tracing memory. Before selecting a different setting, delete the registered data in the tracing memory, and then perform the setting.
 - The recording time and the number of memories cannot be changed in each button in which they are registered.
- ③ Select the other pan/tilt head systems using the other CONTROL SELECT buttons, and set the recording time and number of memories for each of the pan/tilt head systems.

Registering the tracing memory data

- ① Select the pan/tilt head system using one of the CONTROL SELECT buttons.
When using the AW-CB400 for camera control, select the same number for the AW-CB400.
- ② Set the statuses of the pan/tilt head and camera at the start point in the tracing memory.
 - Decide on the view angle and focus using the PAN, TILT, ZOOM and FOCUS controls.
 - Select auto iris, manual iris or manual lock using the IRIS [AUTO/MANUAL/LOCK] button.
 - If manual iris is selected, adjust the iris using the IRIS dial.
 - Adjust the black level, black balance and white balance using the camera controller.

Operating procedures

- ③ Press the START POINT button.
The lamps of the buttons among TRACING MEMORY buttons 1 to 10 where data can be registered now light.
 - The lamps of the buttons with numbers exceeding the number of memories set by the TR MEMORY LENGTH menu setting do not light.
 - If the lamp of any button among the number of memories in which data can be set is off, it means that data has already been registered in the button. When registering data in such a button, delete the existing data in its memory first.
- ④ Press the number of the button in which the data is to be registered. Only the lamp of the button pressed now lights, and the pan/tilt head position and camera settings prevailing at this time are recorded as the start position of the tracing memory.
 - When the PAN/TILT lever is now operated, the registration of the tracing memory data is cancelled.
- ⑤ Press the START button.
The lamp of the START button flashes, and the recording standby mode is established.
 - If the STOP button is now operated, the registration of the tracing memory data is cancelled.
- ⑥ Since tracing memory recording starts at the point where the PAN, TILT, ZOOM or FOCUS control is operated, proceed to register the data.
The lamp of the START button stops flashing, and the lamp of the STOP button starts flashing. As a general rule, the time which can be stored in the memory is about 3 seconds for each of the PRESET MEMORY buttons No.1 to 10 and about 30 seconds for each of the PRESET MEMORY buttons No.11 to 30.
Starting with the No.10 button, the button lamps go off every 3 seconds to indicate the remaining time for recording in the memory. When the lamps of all the buttons have gone off, the buzzer sounds, and the registration of the tracing memory data is ended.
 - To suspend the recording of the tracing memory data at any time, press the STOP button.
The operations performed up to the moment when the recording was suspended are registered as the tracing memory data.
 - The buzzer sounds when the tracing memory data recording starts, is suspended or ends.
- ⑦ If necessary, register the data in TRACING MEMORY buttons No.1 to 10.
- ⑧ Select another pan/tilt head system using the CONTROL SELECT button, and proceed with the tracing memory data settings for the pan/tilt head system concerned. Repeat this step for all the pan/tilt head systems.

The tracing memory information is recorded in the pan/tilt heads and controllers.
If a pan/tilt head or controller is replaced, re-register the data in the tracing memory.

Playing the tracing memory data

- ① Select the pan/tilt head system using one of the CONTROL SELECT buttons.
- ② Press the button in which the tracing memory data to be played is registered.
The pan/tilt head system is set to the start position registered in the tracing memory.
- ③ After the pan/tilt head system has been set to the start position registered in the tracing memory and stopped, the operation of the data registered in the tracing memory can be started by pressing the button corresponding to the tracing memory in which that data is registered.
 - To suspend the play of the tracing memory data at any time, press the STOP button.
Play is also suspended when the PAN, TILT, ZOOM or FOCUS control is operated.
 - The buzzer sounds when tracing memory play starts, is suspended or ends.

Changing the tracing memory data

- ① Select the pan/tilt head system using one of the CONTROL SELECT buttons.
When using the AW-CB400 for camera control, select the same number for the AW-CB400.
- ② Press the button corresponding to the tracing memory whose registered data is to be changed, and call the start position.
- ③ Press the RESTORE button.
The lamp of the RESTORE button flashes, and start position setting in the tracing memory can be changed.
 - If the STOP button is pressed at this point, the change mode is cancelled.
- ④ Press the RESTORE button again.
The pan/tilt head system starts the operation registered in the tracing memory, and the lamp of the RESTORE button stops flashing and lights. As when the data was registered, the PRESET MEMORY buttons 1 to 30 serve to provide a general indication of the time.
- ⑤ Change the tracing memory operation.
 - It is not possible to change parts of the tracing memory operation. Re-register the whole operation from the point where the change was made all the way to the end.
- ⑥ When the lamps of all PRESET MEMORY buttons have gone off, the buzzer sounds, and the changing of the tracing memory data is completed.

Erasing the tracing memory data

- ① Select the pan/tilt head system using one of the CONTROL SELECT buttons.
- ② Press the RESET button.
The lamps of the buttons (TRACING MEMORY buttons 1 to 10) corresponding to the tracing memories in which data has been registered now light.
- ③ Press the button with the number whose data is to be erased.
The lamp of the button goes off, and the tracing memory data is erased.

■ Setting the preset memory data

Perform these settings on the AW-RP400 pan/tilt head controller.

The AW-RP400 comes with a preset memory function for registering the positions and settings used for shooting by the pan/tilt head systems. The preset memory data is registered in PRESET MEMORY buttons 1 to 50.

Registering the preset memory data

- ① Select the pan/tilt head system using one of the CONTROL SELECT buttons.
- ② Set the statuses of the pan/tilt heads and cameras.
 - Decide on the view angle and focus using the PAN, TILT, ZOOM and FOCUS controls.
 - Select auto iris or manual iris using the IRIS [AUTO/MANUAL/LOCK] button.
 - If manual iris is selected, adjust the iris using the IRIS dial.
 - Adjust the black level, black balance and white balance using the camera controller.
- ③ While holding down the MEMORY button, press one of the buttons (PRESET MEMORY buttons 1 to 50) in which the preset memory data is to be registered.
- ④ If necessary, register other shooting positions and settings in PRESET MEMORY buttons 1 to 50 as preset memory data.
- ⑤ Select another pan/tilt head system using the CONTROL SELECT button, and proceed with the preset memory data settings for the pan/tilt head system concerned. Repeat this step for all the pan/tilt head systems.

Operating procedures

Playing the preset memory data

- ① Select the pan/tilt head system using one of the CONTROL SELECT buttons.
- ② When the button corresponding to the registered preset memory data is pressed, the pan/tilt head system is set to the registered status.

Sicherheitshinweise

■ **Öffnen Sie nicht das Gerät durch Abschrauben von Gehäuseteilen.**

Zur Vermeidung von elektrischem Schlag darf das Gehäuse nicht geöffnet werden. Im Geräteinneren befinden sich keine Teile, die vom Benutzer gewartet werden können.

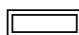
Wartungs- und Reparaturarbeiten grundsätzlich autorisiertem Kundendienstpersonal überlassen.

WARNUNG:

UM BRAND- ODER STROMSCHLAGEFAHR ZU REDUZIEREN, MUSS DIESES GERÄT VON ALLEN FLÜSSIGKEITEN FERNGEHALTEN WERDEN. VERMEIDEN SIE GEBRAUCH UND LAGERUNG DES GERÄTES AN ORTEN, AN DENEN DIE GEFAHR BESTEHT, DASS ES MIT FLÜSSIGKEITEN BETROPFT ODER BESPRITZT WIRD, UND STELLEN SIE KEINE FLÜSSIGKEITSBEHÄLTER AUF DAS GERÄT.

VORSICHT:

NUR DAS EMPFOHLENE ZUBEHÖR VERWENDEN, UM DIE GEFAHR VON FEUER UND ELEKTRISCHEM SCHLAG SOWIE STÖRUNGEN AUSZUSCHALTEN.

 ist die Sicherheitsinformation.

Inhalt

Sicherheitshinweise	1
Vorsichtsmaßnahmen zum Gebrauch	3

AW-PH400 Innenraum-Schwenk-/Neigekopf 4

Einleitung	4
Zubehör	4
Vorsichtsmaßnahmen zum Gebrauch	4
Installationshinweise	5
Teile und ihre Funktionen	6
Installation	10
■ Zusammenbauen des Schwenk-/Neigekopfes	10
■ Einstellen des Montagerichtungsschalters	11
■ Einstellen der Platinenschalter	12
■ Ändern der Montageposition der Sockel-Anschlussstafel	13
■ Installieren des Schwenk-/Neigekopfes	14
■ Montieren der Kamera	15
■ Anbringen der Kette	16
Auswechseln von Verbrauchsteilen	17
Technische Daten	18

Schwenk-/Neigekopf-Steuergerät 19

Einleitung	19
Zubehör	19
Teile und ihre Funktionen	20
■ Frontplatte	20
■ Rückwand	23
Menüeinstellungen	25
■ Bedienungsverfahren	25
■ Liste der Menüposten und Einstellungen	26
Beispiel für Rackmontage	30
■ Rackmontageverfahren des AW-RP400	30
■ Ändern der Einbauposition der Anschlussstafel	31
■ Auswechseln des Zoomschalters	32
Auswechseln von Verbrauchsteilen	33
Technische Daten	34

AW-RC400 Kabelkompensator 35

Einleitung	35
Zubehör	35
Teile und ihre Funktionen	36
Beispiel für Rackmontage	38
■ Rackmontageverfahren des AW-RC400	38
Technische Daten	39

AW-RL400 Rolleinheit 41

Einleitung	41
Zubehör	41
Teile und ihre Funktionen	42
Installation	43
Technische Daten	44

Anschlüsse	45
Beispiel der Systemkonfiguration	47
Bedienungsverfahren	48

Vorsichtsmaßnahmen zum Gebrauch

- **Behandeln Sie die FSK sorgfältig.**

Fallenlassen oder starke Erschütterungen der FSK können eine Funktionsstörung oder Unfälle verursachen.

- **Benutzen Sie die FSK bei Umgebungstemperaturen von -10°C bis $+45^{\circ}\text{C}$.**

Bei Benutzung der FSK an kalten Orten (unter -10°C) oder heißen Orten (über 45°C) können ihre Innenteile beeinträchtigt werden.

- **Schalten Sie vor dem Anschließen oder Abtrennen der Kabel die Stromversorgung aus.**

Schalten Sie das Gerät unbedingt aus, bevor Sie die Kabel anschließen oder abtrennen.

- **Vermeiden Sie die Benutzung der Geräte im Freien.**

- **Wartung**

Wischen Sie die FSK mit einem trockenen Tuch ab. Um hartnäckigen Schmutz zu entfernen, tauchen Sie ein Tuch in verdünnte Haushaltsreinigerlösung, wringen Sie es gut aus, und wischen Sie dann die FSK sanft ab.

<Vorsicht>

- Vermeiden Sie Benzin, Lackverdünner und andere leichtflüchtige Flüssigkeiten.
- Wenn Sie ein chemisches Reinigungstuch verwenden wollen, lesen Sie die Gebrauchsanleitung sorgfältig durch.

Einleitung

- Der freistehende, kompakte Schwenk-/Neigekopf kann um 190° in vertikaler und 400° in horizontaler Richtung gedreht werden.
- Operationen können mit hohen Geschwindigkeiten von bis zu 90° pro Sekunde durchgeführt werden.
- Geräte, wie z.B. eine Kamera mit Objektiv, mit einem Gesamtgewicht von 8 kg können an der Einheit montiert werden.
- Die Kamera kann auch mit der gesondert erhältlichen Rolleinheit AW-RL400 gedreht werden.

- Aufnahmepositionen und Einstellungen für bis zu 50 Positionen können als Vorwahlspeicherdaten registriert werden.

HINWEIS

- Der AW-PH400 kann nicht von den Steuergeräten AW-RP301, AW-RP305, AW-RP501, AW-RP505, AW-RP605 und AW-RP605A gesteuert werden.
- Um die Umwelt zu schützen, wenn der Schwenk-/Neigekopf am Ende seiner Lebensdauer ausrangiert werden soll, beauftragen Sie einen Fachbetrieb mit seiner sachgerechten Entsorgung.

Zubehör

Dreharm	1
Kameramontageplatte	1
Dreharm und Kamerabasis-Befestigungsschrauben (mit Unterlegscheiben) M5 × 20 mm	7
Kamerakabel	1
Kamerakontrolllampe	1
Kettenbefestigungsschrauben (mit Unterlegscheiben, Federscheiben) M4 × 8 mm	1
M4 × 6 mm	1
Sechskantstiftschlüssel	1
Netzkabel	1

Vorsichtsmaßnahmen zum Gebrauch

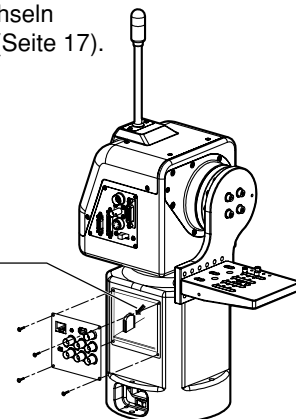
Der AW-PH400 verwendet eine Mangandioxid-Lithiumbatterie (CR2032).

Nehmen Sie unbedingt die Batterie heraus, bevor Sie den Schwenk-/Neigekopf oder seine Platinen ausrangieren. Die herausgenommene Batterie muss unbedingt gemäß den einschlägigen örtlichen Gesetzen und Vorschriften entsorgt werden.

Werfen Sie die Batterie nicht zusammen mit allgemeinem Hausmüll weg.

Eine Beschreibung des Verfahrens zum Entfernen der Batterie finden Sie im Abschnitt über den Austausch der Batterie unter "Auswechseln von Verbrauchsteilen" (Seite 17).

Die Lithiumbatterie hier auswechseln.

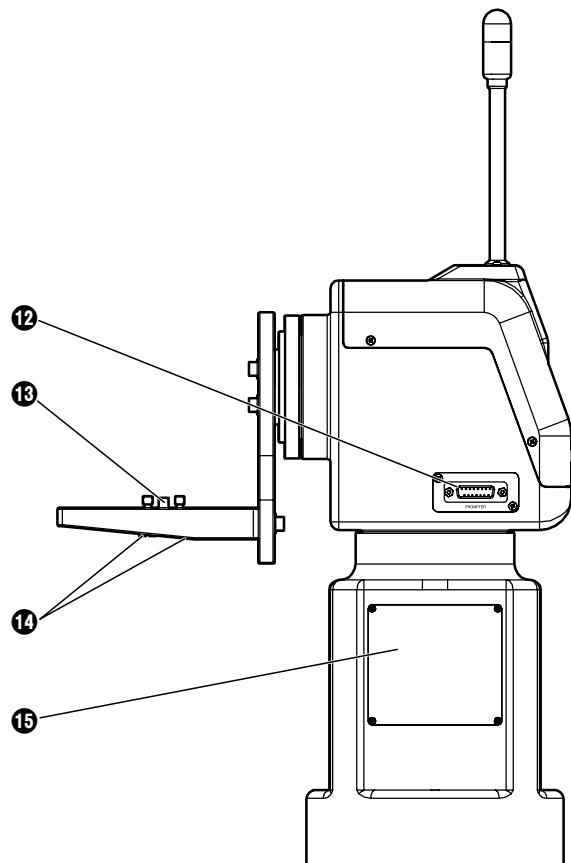
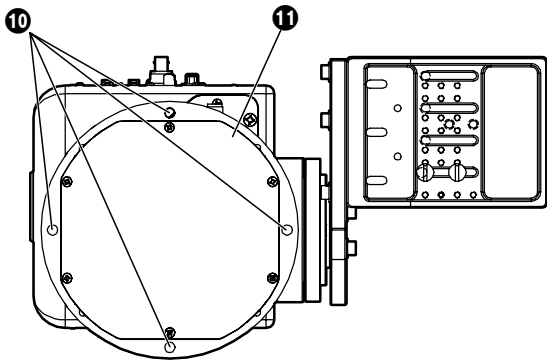
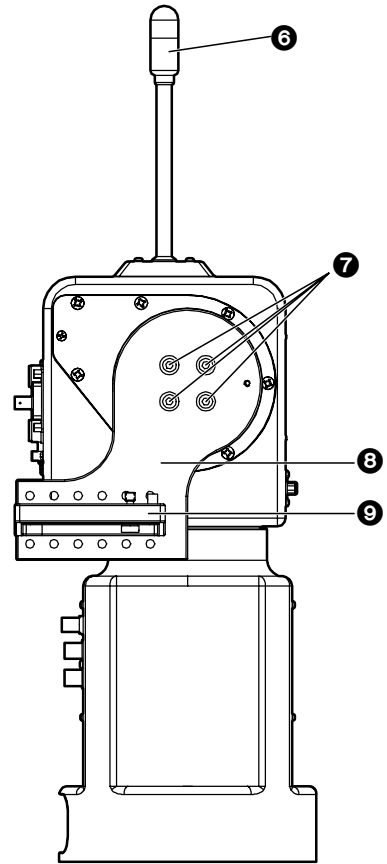
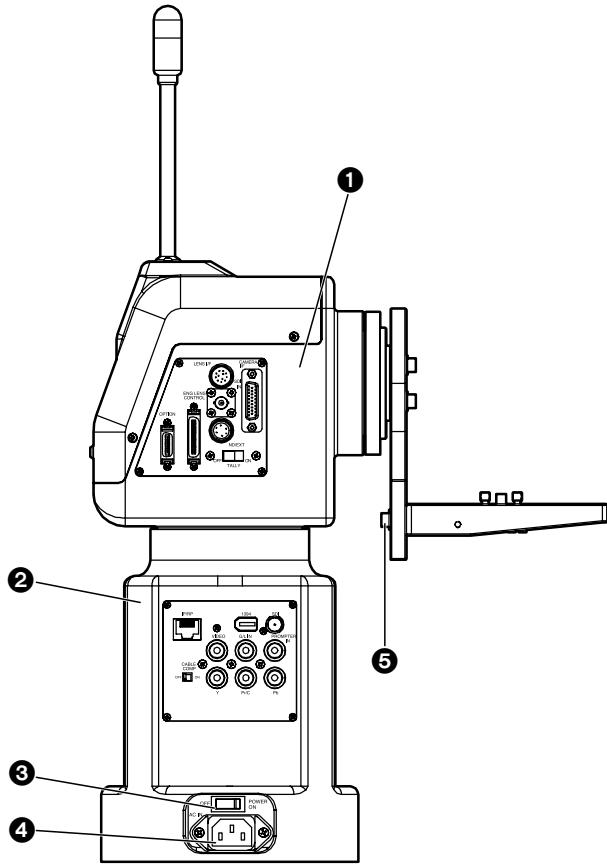


Installationshinweise

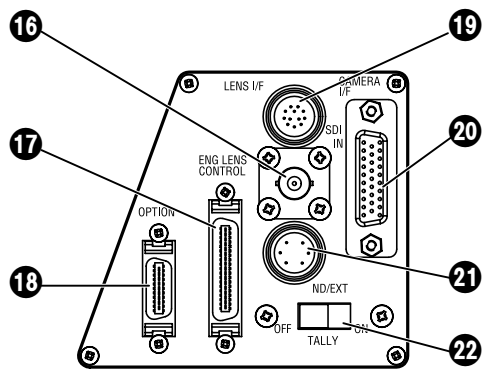
- Installieren Sie das Gerät nicht seitwärts.
- Vermeiden Sie den Gebrauch des Gerätes in einer Küche oder an anderen Orten, an denen sehr viel Wasserdampf oder ölige Dämpfe erzeugt werden.
- Montieren Sie die Kamera erst dann an den Schwenk-/Neigekopf, nachdem seine Installation abgeschlossen ist.
- Die maximale Belastbarkeit dieses Gerätes beträgt 8 kg. Es kann nicht benutzt werden, wenn die Traglast 8 kg überschreitet.
- Verwenden Sie kein Objektiv, das die Balance des Gerätes beeinträchtigt oder stört. Selbst wenn die Traglast unter 8 kg liegt, kann sie nicht benutzt werden, wenn das Gerät durch das montierte Objektiv aus dem Gleichgewicht gebracht wird.
- Installieren Sie das Gerät nicht im Freien oder an Orten, an denen die Temperatur über 45°C oder unter 0°C liegt. Benutzen Sie das Gerät an Orten mit einer Luftfeuchtigkeit unter 90 %.
- Die Befestigungsschrauben müssen getrennt gekauft werden, da sie nicht mit dem Gerät geliefert werden.
- Unterlassen Sie das Halten oder Anheben des Gerätes an seinem Drehteil. Anderenfalls kann es zu einer Funktionsstörung kommen.
- Drehen Sie den Drehteil des Gerätes nicht von Hand. Anderenfalls kann es zu einer Funktionsstörung kommen.
- Fallenlassen oder starke Erschütterungen des Gerätes können eine Funktionsstörung verursachen.
- Halten Sie einen Mindestabstand von 1 m um den Monitor ein, wenn Sie das Gerät installieren.
- Treffen Sie bei der Montage der Kamera am Gerät ausreichende Maßnahmen, um zu gewährleisten, dass sich die Kamera nicht vom Gerät löst oder herunterfällt.
- Installieren Sie den Schwenk-/Neigekopf so, dass die daran montierten Geräte und ihre Kabel während der Schwenk-/Neigebewegung nicht mit anderen Gegenständen in Berührung kommen, und setzen Sie feste Bewegungsgrenzen.

Teile und ihre Funktionen

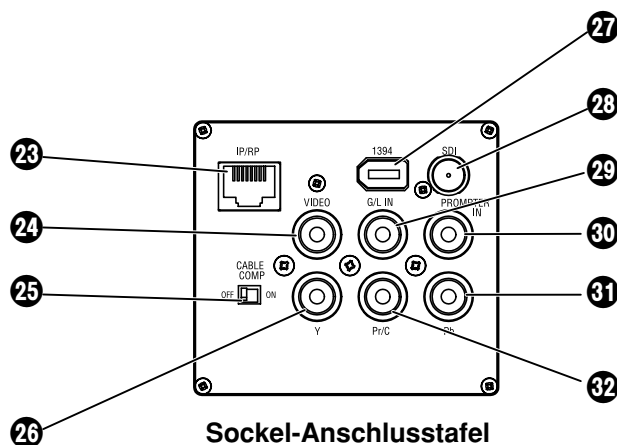
DEUTSCH



Teile und ihre Funktionen



Drehkopf-Anschlussstafel



Sockel-Anschlussstafel

1 Drehkopf

Dieser dreht sich in horizontaler Richtung.

2 Sockel

3 Netzschalter [POWER ON/OFF]

In der Stellung ON wird die Stromversorgung des Gerätes eingeschaltet; in der Stellung OFF wird die Stromversorgung ausgeschaltet.

4 Netzeingang [AC IN] (3-poliger Netzeingang)

Das mitgelieferte Netzkabel wird an diesen Eingang angeschlossen.

5 Kameramontageplatten-Befestigungsschrauben

M5 x 20 mm-Innensechskantschrauben, M5-Unterlegscheiben (je 3 im Lieferumfang enthalten)
Diese Teile dienen zur Befestigung der Kameramontageplatte am Dreharm.

6 Kamerakontrolllampe (Zubehör)

Diese Lampe leuchtet je nach den gewählten Signalen rot auf.

7 Dreharm-Befestigungsschrauben

M5 x 20 mm-Innensechskantschrauben, M5-Unterlegscheiben (je 4 im Lieferumfang enthalten)
Diese Teile dienen zur Befestigung des Dreharms am Drehkopf.

8 Dreharm

Dieser dreht sich in vertikaler Richtung.

9 Kameramontageplatte

Die konvertierbare Kamera wird an dieser Platte befestigt.

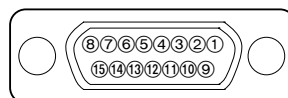
10 Schwenk-/Neigekopf-Montagelöcher

Diese vier Löcher werden zur Installation des Schwenk-/Neigekopfes verwendet.

11 Bodenplatte

12 Anschluss PROMPTER [PROMPTER]

Ein Prompter wird an diesen Anschluss angeschlossen. Die maximale Stromstärke, die über die Buchse DC 12V OUT zugeführt werden kann, beträgt 2 A. Durch den Anschluss eines Prompters wird die Geschwindigkeit des Schwenk-/Neigekopfes auf etwa ein Drittel reduziert.



Stiftnummerung bei Draufsicht des Prompteranschlusses

Stift-Nr.	Signalbezeichnung
1	---
2	PROMPTER VIDEO GND
3	PROMPTER VIDEO
4	---
5	---
6	---
7	---
8	DC 12V OUT
9	GND
10	---
11	---
12	---
13	---
14	DETECT
15	---
16	GND
17	---

Teile und ihre Funktionen

13 Führungsstift

Benutzen Sie diesen Stift, um die Montagerichtung der Kamera festzulegen.

14 Kamerabefestigungsschrauben (U1/4" 20UNC)

Diese dienen zur einwandfreien Befestigung der Kamera nach der Montage.

15 Seitenblende

Diese wird verwendet, wenn die Montagerichtung der Sockel-Anschlussstafel geändert werden soll.

16 Buchse SDI IN [SDI IN]

Verbinden Sie diese Buchse über ein Koaxialkabel mit der Buchse SDI OUT der SDI-Karte AW-PB504 oder einer anderen in die konvertierbare Kamera installierte Karte.

17 Anschluss ENG LENS CONTROL [ENG LENS CONTROL]

Verwenden Sie diesen Anschluss, wenn ein ENG-Objektiv benutzt werden soll. Ein optionale Anschlusskabel ist erforderlich.

18 Anschluss OPTION [OPTION]

Hier wird die optionale Rolleinheit AW-RL400 über das im Lieferumfang der Rolleinheit enthaltene Kabel angeschlossen.

19 Anschluss LENS I/F [LENS I/F]

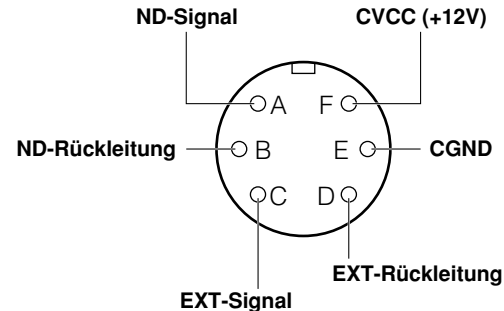
Dieser Anschluss dient zur Steuerung des Zoom- und Fokussierbetriebs der motorgetriebenen Objektiveneinheit. Stellen Sie die Verbindung über das Fernsteuerkabel (Zoom/Fokus) der motorgetriebenen Objektiveneinheit her.

20 Anschluss CAMERA I/F [CAMERA I/F]

Dieser Anschluss dient zur Steuerung der konvertierbaren Kamera. Verbinden Sie den Anschluss über das mit dem AW-PH400 gelieferte Kamerakabel mit dem Anschluss REMOTE an der Kamera. Je nach den Funktionen der Optionskarte ist ein spezielles Kamerakabel (getrennt erhältlich) erforderlich.

21 Anschluss ND/EXT [ND/EXT]

Dieser Anschluss dient zur Steuerung des ND-Filters und Telekonverters der motorgetriebenen Objektiveneinheit. Verbinden Sie diesen Anschluss, wenn Sie eine motorgetriebene Objektiveneinheit mit ND-Filter- und Telekonverterfunktionen verwenden. Der kompatible Stecker ist das Modell R03-P6M oder R03-PB6M von Tajimi Electronics Co., Ltd.



(Ansicht der Stiftanordnung vom Kabelende aus)

22 Schalter TALLY ON/OFF [TALLY]

In der Stellung ON leuchtet die Kamerakontrolllampe je nach den gewählten Signalen auf. In der Stellung OFF leuchtet die Kamerakontrolllampe (6) nicht auf, selbst wenn die gewählten Signale zugeführt werden.

23 Steuerungsanschluss IP/RP [IP/RP]

Dies ist der Anschluss für die Steuerung der Signale der Kamera und des Schwenk-/Neigekopfes. Er wird mit dem Anschluss CONTROL OUT TO PAN/TILT des Schwenk-/Neigekopf-Steuergerätes AW-RP400 verbunden. Verwenden Sie ein 10BASE-T-Gerädkabel (entsprechend UTP-Kategorie 5) als Verbindungskabel.

24 Buchse VIDEO [VIDEO]

Dies ist die Ausgangsbuchse für die Videosignale der Kamera. Sie wird mit der Buchse Y/VIDEO des Kabelkompensators AW-RC400 oder Monitors usw. verbunden. Verwenden Sie ein BNC-Koaxialkabel als Verbindungskabel.

25 Schalter CABLE COMP ON/OFF [CABLE COMP]

In der Stellung ON werden Signale, die für das Äquivalent von 500 m kabelkompensiert worden sind, von den Buchsen VIDEO sowie Y, Pr und Pb ausgegeben. Wenn dieser Schalter in Verbindung mit dem Kabelkompensator AW-RC400 verwendet wird, kann das Videokabel bis auf ein Maximum von 1.000 m verlängert werden.

Teile und ihre Funktionen

26 Buchse Y [Y]

Dies ist die Ausgangsbuchse für die Videosignale der Kamera.

Sie wird mit der Buchse Y/VIDEO des Kabelkompensators AW-RC400 oder Monitors usw. verbunden.

Verwenden Sie ein BNC-Koaxialkabel als Verbindungskabel.

Die RGB-Karte AW-PB302 muss installiert sein, wenn die konvertierbare Kamera AW-E300, AW-E300A, AW-E600, AW-E800 oder AW-E800A verwendet werden soll.

27 Buchse 1394 [1394]

Diese Buchse dient zur Steuerung der konvertierbaren Kamera und des Schwenk-/Neigekopfes, wenn diese mit einer IEEE1394-Karte (z.B. AW-PB310) ausgerüstet sind.

Verwenden Sie ein IEEE1394-Kabel als Verbindungskabel.

28 Buchse SDI [SDI]

Dies ist die Ausgangsbuchse für die Videosignale der Kamera.

Wenn die SDI-Karte AW-PB504 oder eine andere Karte in die konvertierbare Kamera eingesetzt ist, können SDI-Signale ausgegeben werden.

Verwenden Sie ein BNC-Koaxialkabel als Verbindungskabel.

29 Buchse G/L IN [G/L IN]

Dies ist die Genlocksingal-Eingangsbuchse.

Sie wird mit der Buchse G/L OUT des Kabelkompensators AW-RC400 oder eines anderen Gerätes verbunden.

Verwenden Sie ein BNC-Koaxialkabel als Verbindungskabel.

30 Buchse PROMPTER IN [PROMPTER IN]

Die Videosignale für den Prompter werden in diese Buchse eingegeben.

Verwenden Sie ein BNC-Koaxialkabel als Verbindungskabel.

31 Buchse Pb [Pb]

Dies ist die Ausgangsbuchse für die Videosignale der Kamera.

Sie wird mit der Buchse Pb des Kabelkompensators AW-RC400 oder Monitors usw. verbunden.

Verwenden Sie ein BNC-Koaxialkabel als Verbindungskabel.

32 Buchse Pr/C [Pr/C]

Dies ist die Ausgangsbuchse für die Videosignale der Kamera.

Sie wird mit der Buchse Pr/C des Kabelkompensators AW-RC400 oder Monitors usw. verbunden.

Verwenden Sie ein BNC-Koaxialkabel als Verbindungskabel.

Installation (Überlassen Sie die Installation des Gerätes Ihrem Händler.)

■ Zusammenbauen des Schwenk-/Neigekopfes

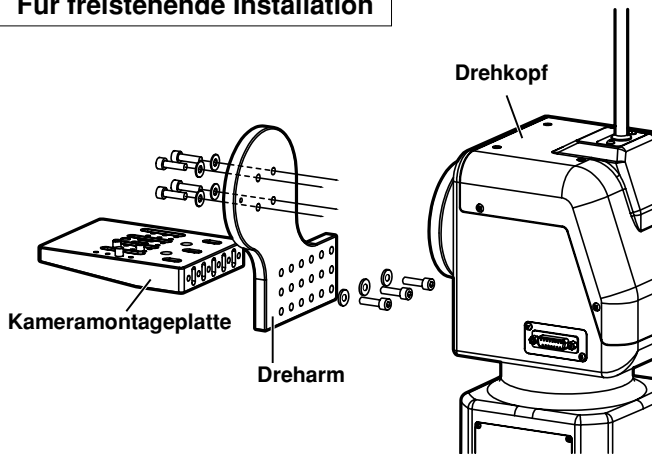
① Anbringen der Kameramontageplatte

Befestigen Sie die Kameramontageplatte mit den drei Schrauben am Dreharm. Die Montagerichtung hängt von der jeweiligen Installationsmethode ab.

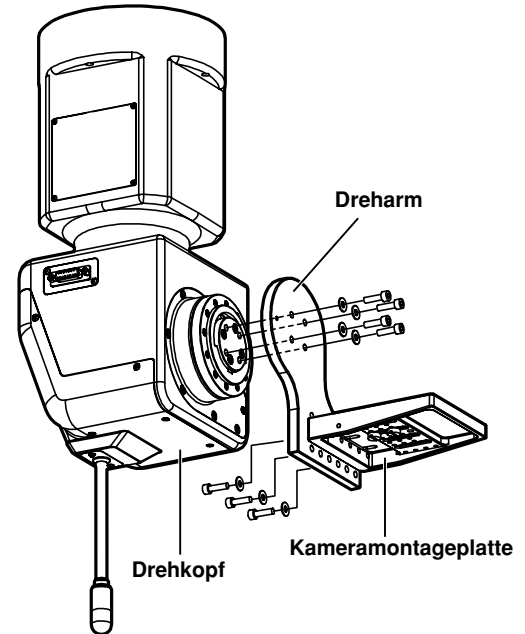
② Anbringen des Dreharms

Befestigen Sie den Dreharm mit den vier Schrauben am Drehkopf. Die Montagerichtung hängt von der jeweiligen Installationsmethode ab.

Für freistehende Installation



Für Deckeninstallation



③ Montieren der Kamerakontrolllampe

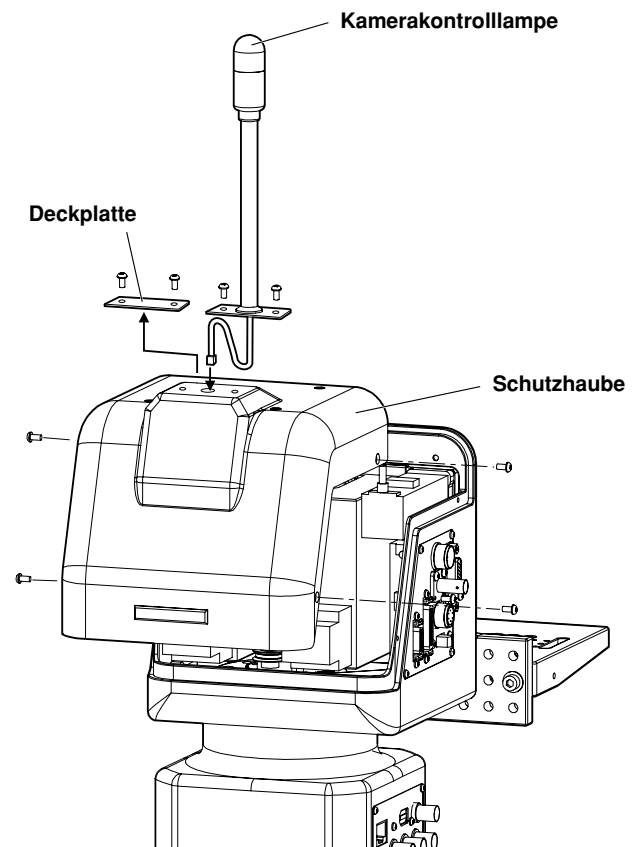
Drehen Sie die vier Schrauben heraus, um die Schutzhaube abzunehmen.
Drehen Sie die zwei Schrauben heraus, um die Deckplatte abzunehmen.

Montieren Sie die Kamerakontrolllampe, und befestigen Sie sie mit den zwei Befestigungsschrauben der Deckplatte.

Schließen Sie den Stecker der Kamerakontrolllampe an.

Bringen Sie die Schutzhaube an, und befestigen Sie sie mit den vier Schrauben.

- Ziehen Sie die Schrauben fest an, um sicherzustellen, dass sie sich während des Betriebs nicht lösen.



Installation (Überlassen Sie die Installation des Gerätes Ihrem Händler.)

■ Einstellen des Montagerichtungsschalters

Stellen Sie den Schalter folgendermaßen ein, wenn das Gerät an der Decke installiert werden soll.
(Die werksseitige Einstellung dieses Schalters ist die Position für freistehende Installation.)

- ① Entfernen Sie die vier Schrauben, und nehmen Sie die Sockel-Anschlussstafel vorsichtig ab.
- ② Stellen Sie Schalter S1 an der Platine im Inneren des Schwenk-/Neigekopfes wie folgt ein.

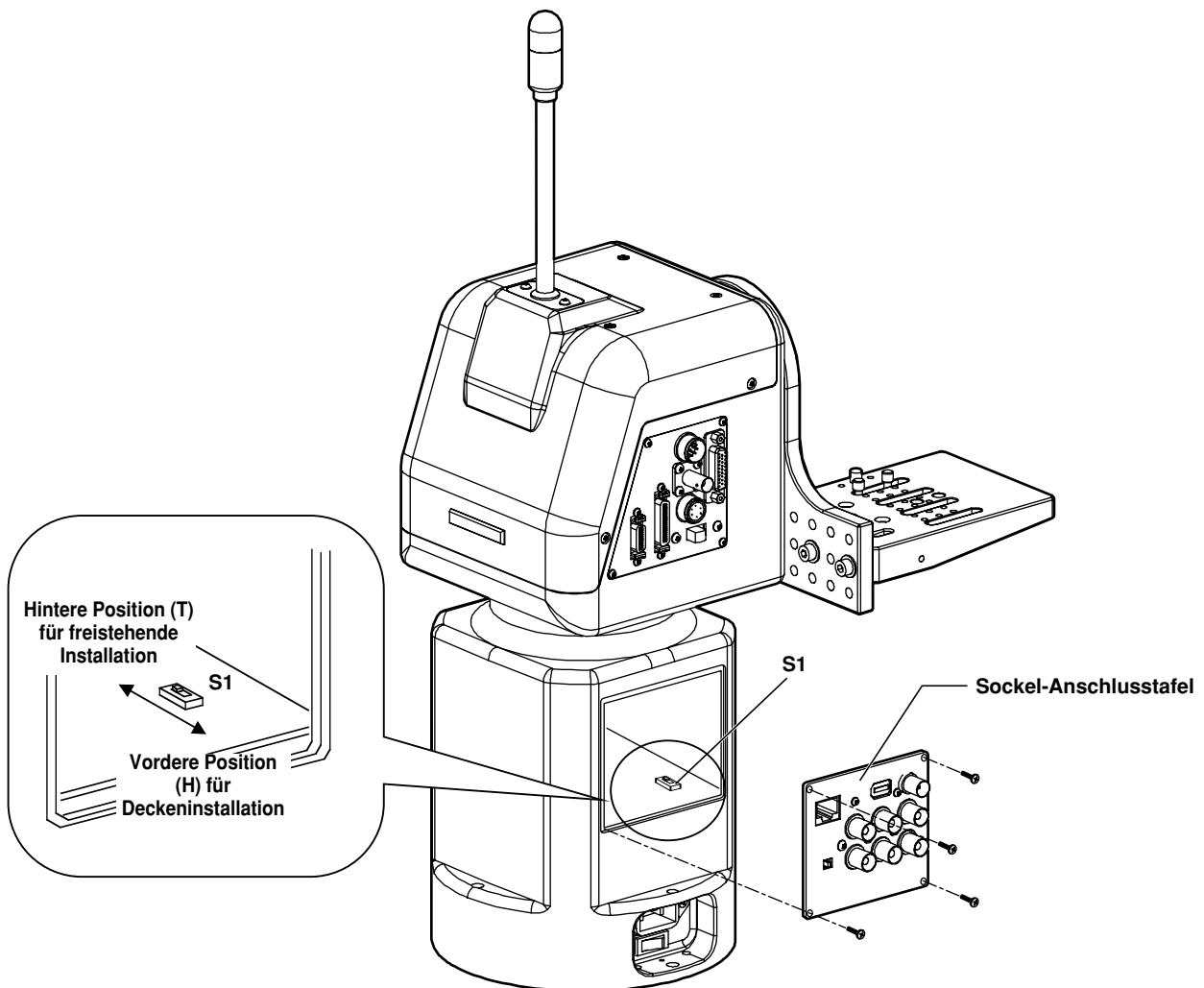
Für freistehende Installation:

Stellen Sie S1 auf die hintere Position (T). (Werkseinstellung)

Für Deckeninstallation:

Stellen Sie S1 auf die vordere Position (H).

- ③ Bringen Sie nach Abschluss der Einstellung die Sockel-Anschlussstafel wieder an ihrem ursprünglichen Platz an, und befestigen Sie sie mit den Schrauben.
(Achten Sie darauf, dass die Kabel nicht eingeklemmt oder abgetrennt werden.)



- Schalten Sie unbedingt die Stromversorgung aus, bevor Sie die Stellung dieses Schalters ändern.

Installation (Überlassen Sie die Installation des Gerätes Ihrem Händler.)

■ Einstellen der Platinenschalter

Die Schalter an der CONNECTOR PCB müssen entsprechend den zu übertragenden Signalen und den an den Schwenk-/Neigekopf anzuschließenden Geräten eingestellt werden.

(Die Schalter wurden werksseitig auf Unterstützung für Analog/SDI-Signale eingestellt.)

- **Analog/SDI-Unterstützung**

Schalter IP/IEEE: IEEE

Schalter 422/IP: 422

- **Webkarten-Unterstützung**

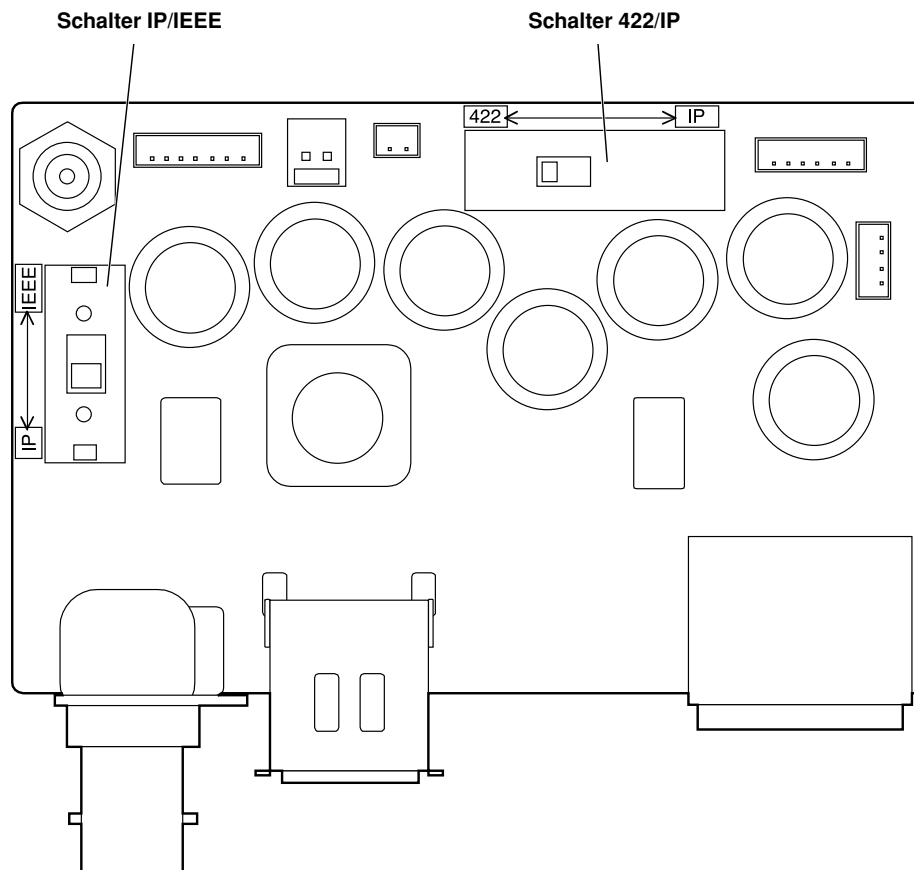
Schalter IP/IEEE: IP

Schalter 422/IP: IP

- **IEEE1394-Karten-Unterstützung**

Schalter IP/IEEE: IEEE

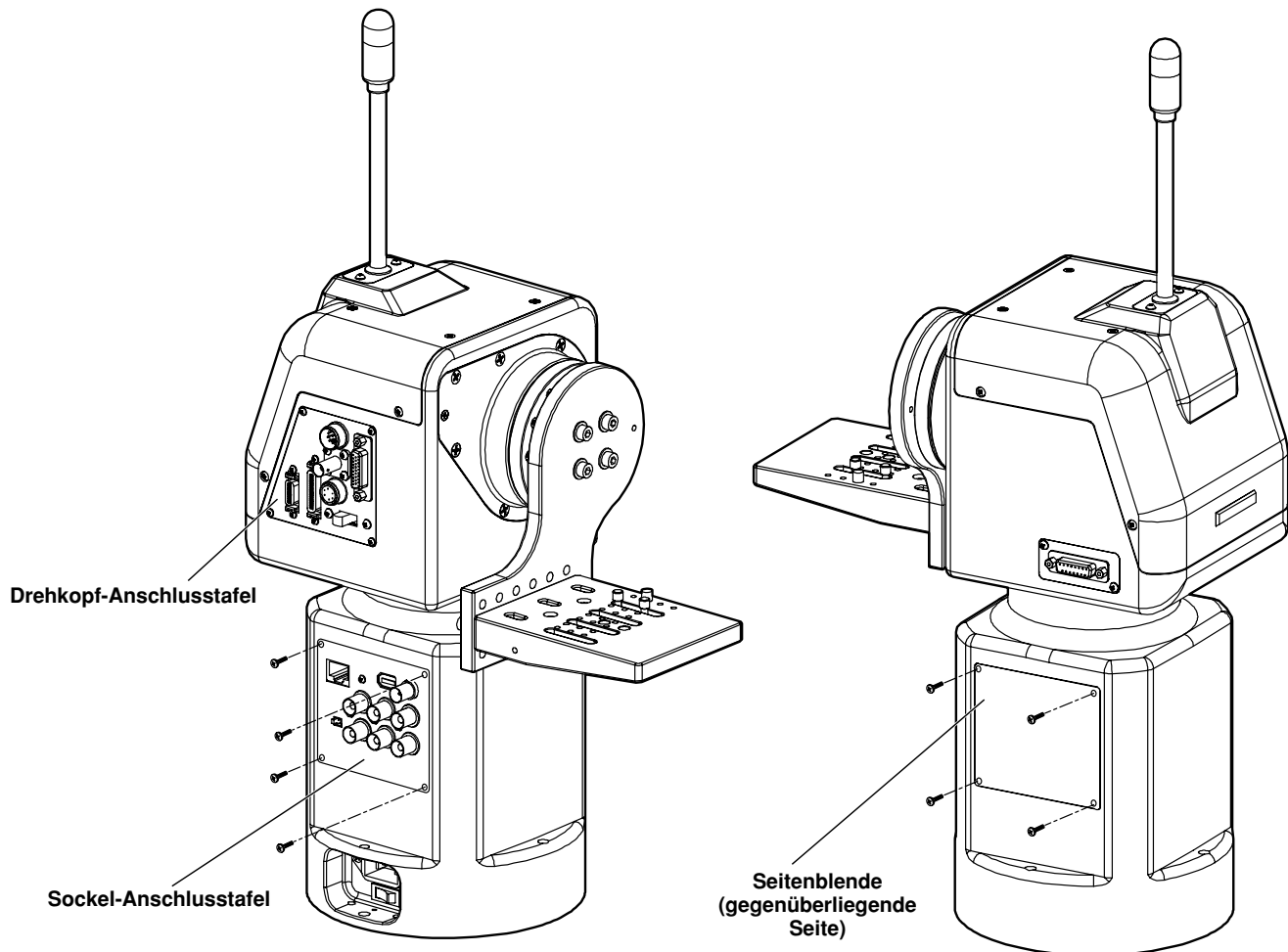
Schalter 422/IP: 422



Installation (Überlassen Sie die Installation des Gerätes Ihrem Händler.)

■ Ändern der Montageposition der Sockel-Anschlussstafel

Erforderlichenfalls kann die Sockel-Anschlussstafel auf der entgegengesetzten Seite des Gerätes montiert werden.



- ① Entfernen Sie die vier Schrauben der Sockel-Anschlussstafel, und ziehen Sie die Sockel-Anschlussstafel heraus.
 - ② Trennen Sie alle sechs Stecker der Platine auf der Rückseite der Sockel-Anschlussstafel ab.
 - ③ Entfernen Sie die vier Schrauben der Seitenblende, und nehmen Sie die Seitenblende ab.
 - ④ Bringen Sie die Sockel-Anschlussstafel auf der gegenüberliegenden Seite an, und schließen Sie die Stecker der Platine wieder wie vorher an.
 - ⑤ Schrauben Sie die Sockel-Anschlussstafel und die Seitenblende fest.
- Bei der Drehkopf-Anschlussstafel lässt sich weder die Montageposition noch die Montagerichtung ändern.

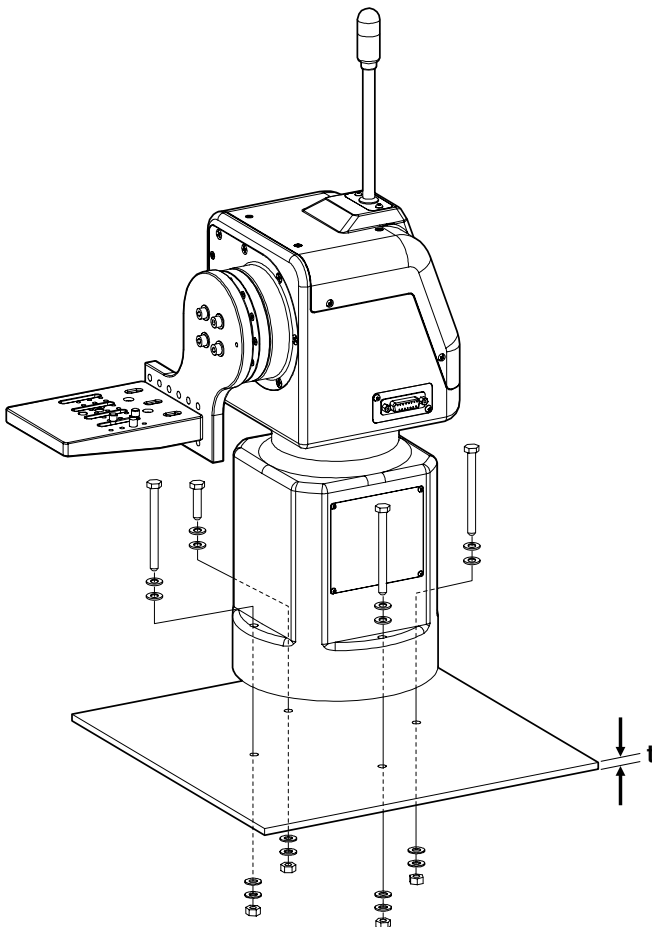
Installation (Überlassen Sie die Installation des Gerätes Ihrem Händler.)

■ Installieren des Schwenk-/Neigekopfes

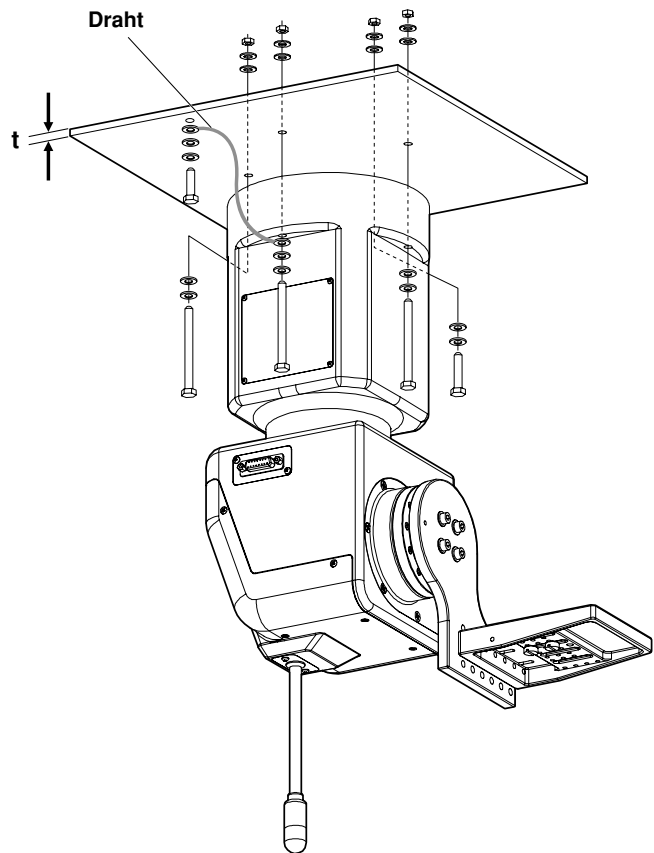
Schenken Sie den nachstehenden Anweisungen bei der Installation des Schwenk-/Neigekopfes besondere Aufmerksamkeit. Um Unfälle durch Verlagerung oder Herunterfallen des Produkts zu verhüten, halten Sie sich unbedingt an die Anweisungen. Installieren Sie den Schwenk-/Neigekopf nicht seitwärts, weil dann seine vorgeschriebene Operation und Leistung nicht gewährleistet werden können.

- Befestigen Sie die Kamera erst dann am Schwenk-/Neigekopf, nachdem er vollständig installiert worden ist.
- Verwenden Sie zur Installation des Schwenk-/Neigekopfes die vier Montagelöcher, um ihn einwandfrei zu befestigen.
- Verwenden Sie die M6-Innensechskantschrauben (eine kurze Schraube inbegriffen) für die Installation.
- Verwenden Sie Innensechskantschrauben, die länger als die Dicke (t) der montierten Platte + 25 mm sind.
- Sichern Sie die Innensechskantschrauben mit Unterlegscheiben, Federscheiben und Sechskantmuttern, wie in der Abbildung gezeigt.
- Ziehen Sie die Innensechskantschrauben mit einem Schlüssel der passenden Größe an.
- Wenn Sie den Schwenk-/Neigekopf an der Decke installieren, bringen Sie die Kabel zusammen mit den Schrauben an, und verankern Sie sie dann an einem festen Teil der Decke.
- Verwenden Sie einen Draht, der stark genug ist, um das Gewicht des ganzen Schwenk-/Neigekopfes (Schwenk-/Neigekopf, Kamera und Objektivkabel) zu tragen.
- Installieren Sie den Schwenk-/Neigekopf so, dass das an ihm befestigte Gerät und Kabel beim Schwenken des Kopfes nicht mit umliegenden Objekten in Berührung kommen.

Für freistehende Installation



Für Deckeninstallation



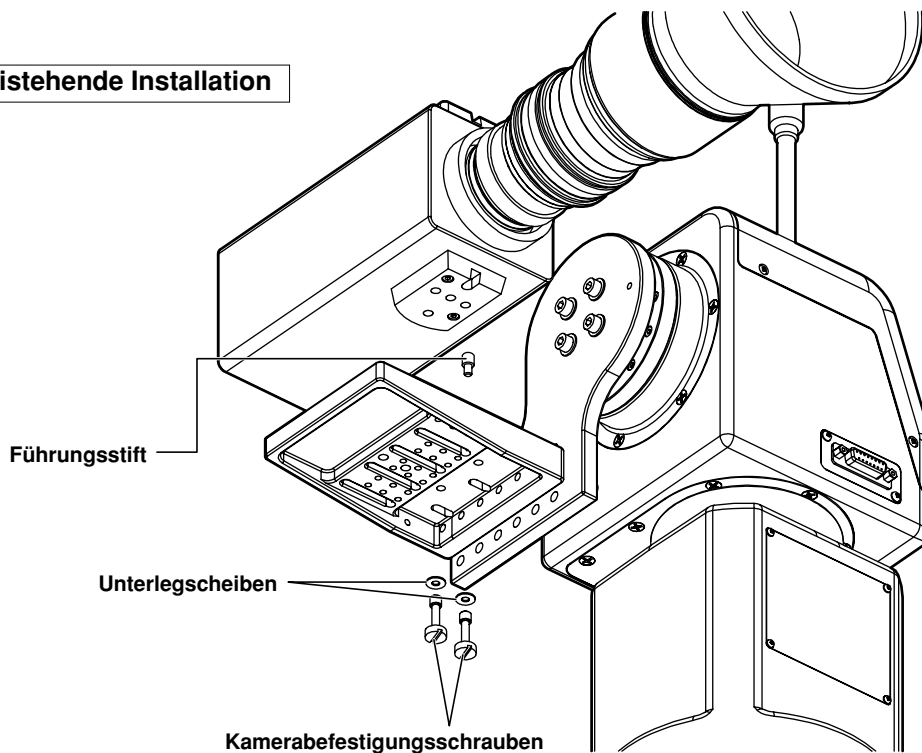
* Unterlassen Sie gewaltsames Drehen des Drehkopfes oder Dreharms von Hand bei der Installation des Schwenk-/Neigekopfes. Anderenfalls kann es zu einer Funktionsstörung kommen.

Installation (Überlassen Sie die Installation des Gerätes Ihrem Händler.)

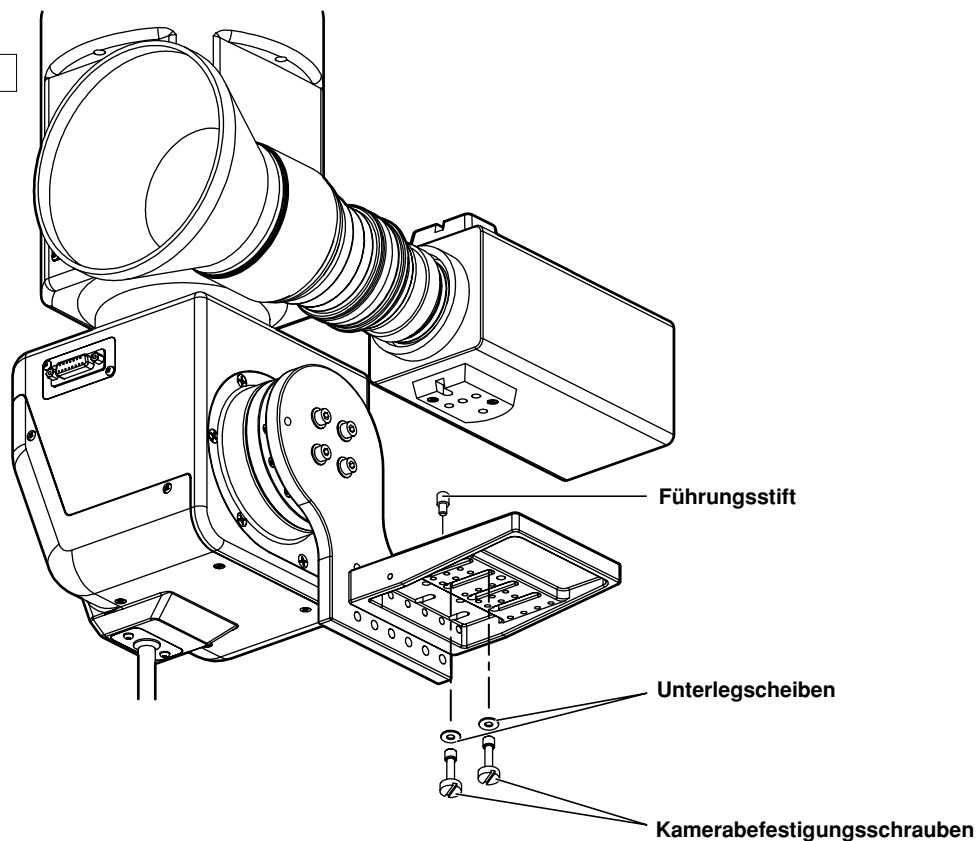
■ Montieren der Kamera

- ① Wählen Sie die Positionen des Führungstifts und der Kamerabefestigungsschrauben entsprechend der zu benutzenden Kamera und dem Objektiv, und montieren Sie die Kamera. Achten Sie bei der Befestigung der Kamera am Schwenk-/Neigekopf sehr sorgfältig darauf, dass die Kamera nicht verrutscht oder herunterfällt.

Für freistehende Installation



Für Deckeninstallation



Installation (Überlassen Sie die Installation des Gerätes Ihrem Händler.)

■ Anbringen der Kette

Bei Montage der Kamera AW-E750

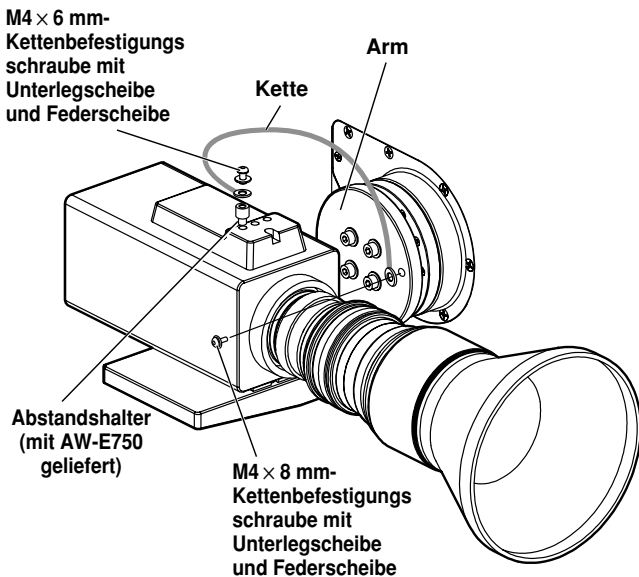
- ① Befestigen Sie das eine Ende der Kette mit der Kettenbefestigungsschraube (M4 × 8 mm mit Unterlegscheibe und Federscheibe) am Arm des Schwenk-/Neigekopfes.
- ② Befestigen Sie den Abstandshalter an der Deckplatte der Kamera.
- ③ Befestigen Sie das andere Ende der Kette mit der Kettenbefestigungsschraube (M4 × 6 mm mit Unterlegscheibe und Federscheibe) im Schraubenloch des Abstandshalters.

Bei Montage der Kamera AW-E350 oder AW-E650

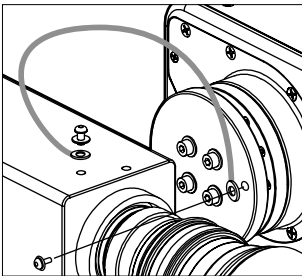
- ① Befestigen Sie das eine Ende der Kette mit der Kettenbefestigungsschraube (M4 × 8 mm mit Unterlegscheibe und Federscheibe) am Arm des Schwenk-/Neigekopfes.
- ② Befestigen Sie das andere Ende der Kette mit der Kettenbefestigungsschraube (M4 × 6 mm mit Unterlegscheibe und Federscheibe) im Schraubenloch der Deckplatte der Kamera.

Für freistehende Installation

• Kamera: AW-E750

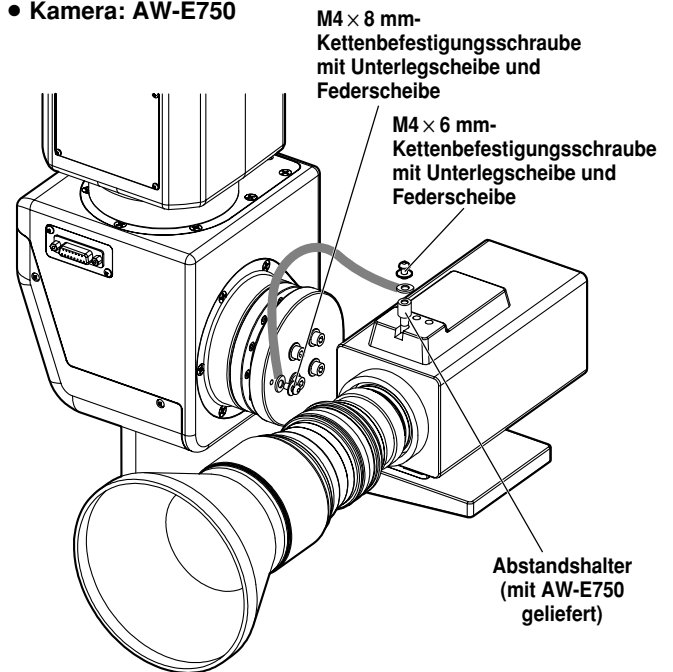


• Kamera: AW-E650, AW-E350

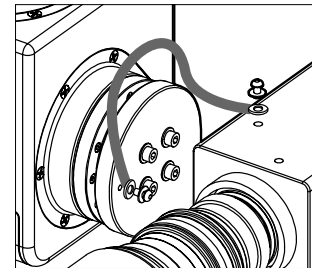


Für Deckeninstallation

• Kamera: AW-E750



• Kamera: AW-E650, AW-E350



* Ziehen Sie den Abstandshalter und die Schrauben mit einem geeigneten Werkzeug (z.B. Schraubendreher) fest an.

Auswechseln von Verbrauchsteilen

■ Auswechseln der Batterie

Die Batterie hat eine Lebensdauer von ungefähr 5 Jahren.

Das Gerät speichert die Vorwahlpositionen, Grenzwerte und andere Daten im internen Speicher. Diese Daten bleiben auch nach dem Ausschalten des Gerätes erhalten, doch wenn die interne Batterie erschöpft ist, gehen die Daten beim Ausschalten verloren.

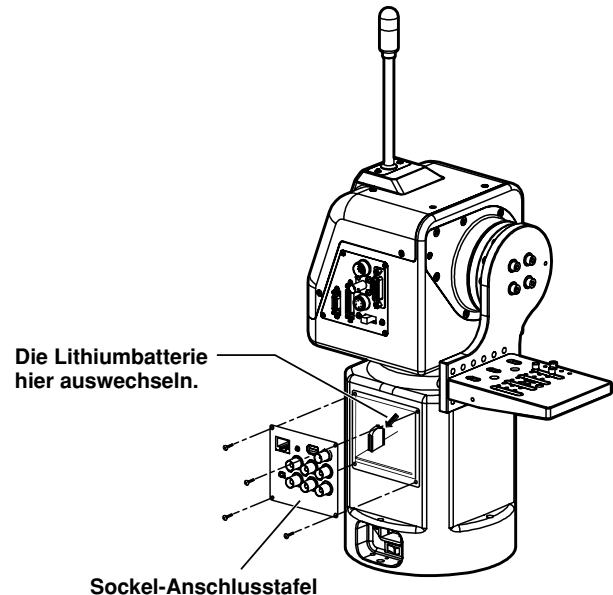
Ersetzen Sie die erschöpfte Batterie durch eine neue. (Verwendete Batterie: Mangandioxid-Lithiumbatterie CR2032)

■ Entfernen der Batterie

- ① Entfernen Sie die vier Schrauben, und nehmen Sie die Sockel-Anschlussstafel ab.
- ② Drücken Sie die Batterie in Pfeilrichtung, wie in der Abbildung gezeigt, und schieben Sie sie heraus.
- ③ Heben Sie die herausgeschobene Batterie von der Unterseite des mit Pfeil gekennzeichneten Teils an.
- ④ Nachdem Sie den mit Pfeil gekennzeichneten Teil vom Batteriehalter gelöst haben, ziehen Sie die Batterie auf sich zu heraus.

■ Installieren der Batterie

- ① Halten Sie die neue Batterie so, dass die Seite "+" vorne liegt, und führen Sie die Vorderkante in Pfeilrichtung in den Batteriehalter ein.
- ② Schieben Sie die Batterie in den Halter ein, während Sie sie in Pfeilrichtung drücken.
- ③ Befestigen Sie die Sockel-Anschlussstafel mit den vier Schrauben.



■ Auswechseln des Motors

Wechseln Sie den Motor aus, wenn er nicht mehr einwandfrei funktioniert. Einzelheiten zum Motoraustausch erfahren Sie von Ihrem Händler.

■ Auswechseln des Treibriemens

Wechseln Sie den Treibriemen aus, wenn sich die voreingestellte Stoppgenauigkeit verschlechtert. Einzelheiten zum Treibriemenaustausch erfahren Sie von Ihrem Händler.

■ Auswechseln des Getriebes

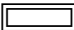
Wechseln Sie das Getriebe aus, wenn sich die voreingestellte Stoppgenauigkeit verschlechtert. Einzelheiten zum Getriebeaustausch erfahren Sie von Ihrem Händler.

**Motor, Getriebe und Treibriemen sind Verbrauchsteile.
Sie müssen in regelmäßigen Abständen ausgewechselt werden.**

Technische Daten

Versorgungsspannung: 240 V Wechselstrom, 50/60 Hz

Leistungsaufnahme: 145 W

 ist die Sicherheitsinformation.

Genlock-Eingang:	BNC Black-Burst- oder FBAS-Videosignal
Promptereingang (PROMPTER IN):	BNC Durchschaltung zum Anschluss PROMPTER
Prompterausgang (PROMPTER OUT):	15-poliger D-SUB-Anschluss
Kamera-Videoausgang	
VIDEO:	BNC, 75-Ohm-Ausgang, 1 Vs-s Verbindungskabel: 5C-2V, max. 1000 m
Y, Pr/C, Pb:	Y/C Y: 1 Vs-s/75 Ohm C: 0,285 Vs-s/75 Ohm (Burst) Komponentenvideo: Y: 1 Vs-s/75 Ohm Pr: 0,7 Vs-s/75 Ohm Pb: 0,7 Vs-s/75 Ohm Verbindungskabel: 5C-2V, max. 1000 m
SDI:	BNC
Kamera-, Schwenk-/Neigekopf-Steuerung:	
RP/IP	RJ45, RS-485, Schwenk-/Neigekopf-Steuersignalausgang Verbindungskabel: 10BASE-T-Geradkabel (entsprechend UTP-Kategorie 5), max. 500 m
Funktionen/Leistung:	Maximale Belastbarkeit: 8 kg Neigungsbereich: 190° (ca. ±95°) Der Neigungsbereich ist je nach dem Kabel und Objektiv der am Schwenk-/Neigekopf zu montierenden Kamera begrenzt. Schwenkbereich: 400° (ca. ±200°) Maximale Betriebsgeschwindigkeit: 90°/s (Maximale Betriebsgeschwindigkeit mit montiertem Prompter: 30°/s) Wiederholgenauigkeit: ±30" Geräuschpegel: Weniger als NC30 (unter 30°/s)
Betriebstemperatur:	0°C bis +45°C
Lagertemperatur:	-20°C bis +60°C
Betriebsluftfeuchtigkeit:	30% bis 90% (keine Kondensation)
Abmessungen (B × H × T):	??? × ??? × ??? mm
Gewicht:	ca. ?? kg
Gehäuse:	AV-Elfenbeinlack (Farbe entspricht Munsell 7.9Y6.8/0.8)

Bei den obigen Gewichts- und Abmessungsangaben handelt es sich um Näherungswerte.

Änderungen der technischen Daten vorbehalten.

Einleitung

- Dieses Schwenk-/Neigekopf-Steuergerät ermöglicht die Steuerung von bis zu fünf Innenraum-Schwenk-/Neigeköpfen AW-PH400.
- Der Anschluss der Fernsteuerkonsole AW-CB400 oder der Fernsteuerbox WV-CB700A an das Steuergerät ermöglicht die gleichzeitige Steuerung der an den Schwenk-/Neigeköpfen montierten konvertierbaren Kameras.
- Durch die Installation eines zusätzlichen Steuergerätes können zwei der fünf Geräte im Schwenk-/Neigekopfsystem gleichzeitig gesteuert werden.
- Bis zu zehn Ablaufspeicherplätze können untergebracht werden.
- Bis zu 50 Vorwahlspeicher können eingestellt werden.

- Die Verbindungsentfernung zwischen dem Steuergerät und dem Schwenk-/Neigekopfsystem kann bis auf maximal 500 m verlängert werden.

HINWEIS

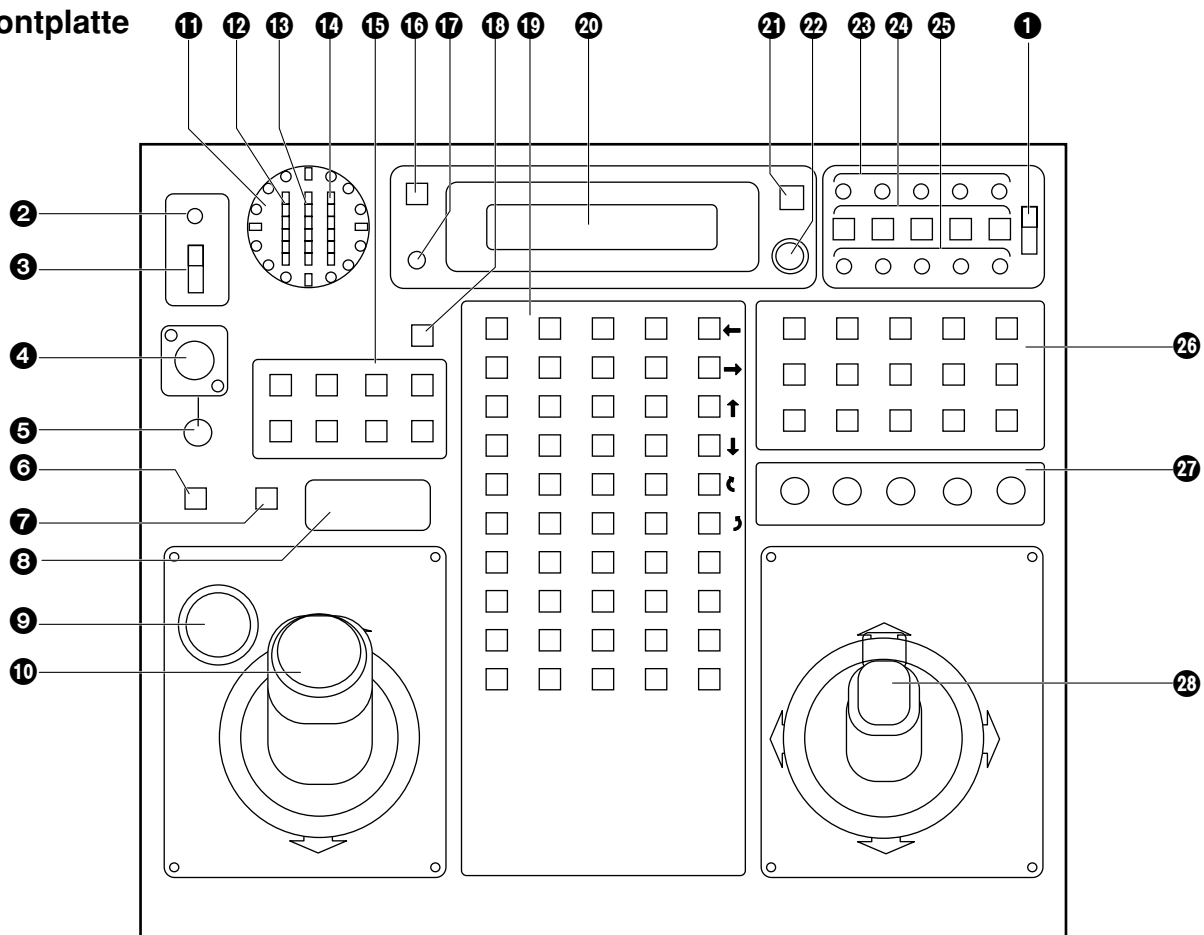
- Das Steuergerät AW-RP400 kann nicht zur Steuerung der Schwenk-/Neigeköpfe AW-PH300, AW-PH300A, AW-PH350, AW-PH500 oder AW-PH600 verwendet werden.
- Vor der Benutzung des Steuergerätes muss der Bewegungsbereich (Begrenzer) des Schwenk-/Neigekopfsystems unbedingt eingestellt werden.
- Wenn das Steuergerät AW-PH400 am Ende seiner Lebensdauer ausrangiert werden soll, beauftragen Sie einen Fachbetrieb mit seiner sachgerechten Entsorgung, um die Umwelt zu schützen.

Zubehör

Zoomschalter.....	1
Stecker (D-SUB, 15-polig) für Rotlicht/INCOM-System	1 Satz
Rackmontageadapter.....	2
Befestigungsschrauben (M4 × 8 mm).....	4

Teile und ihre Funktionen

■ Frontplatte



1 Schalter EXT CONT [M/S]

Dieser Schalter bleibt normalerweise in der Position [M] (Master).

Wenn ein zusätzliches Steuergerät AW-RP400 installiert worden ist, stellen Sie den Schalter EXT CONT am zusätzlichen Gerät auf [S] (Slave).

Wenn kein zusätzliches Steuergerät AW-RP400 installiert werden soll, muss der Schalter EXT CONT dieses Gerätes unbedingt in der Position [M] (Master) bleiben.

2 Lampe OPERATE

Diese Lampe leuchtet grün auf, wenn der Schalter (3) OPERATE auf ON gestellt wird. Sie erlischt, wenn der Schalter auf OFF gestellt wird.

3 Schalter OPERATE [OFF/ON]

Wenn dieser Schalter auf [ON] gestellt wird, wird die Stromversorgung von den angeschlossenen Schwenk-/Neigeköpfen zu den Kameras eingeschaltet und die Systemsteuerung aktiviert.

Wenn er auf [OFF] gestellt wird, wird die Stromversorgung von den angeschlossenen Schwenk-/Neigeköpfen zu den Kameras ausgeschaltet.

HINWEIS

Wenn ein zusätzliches Steuergerät AW-RP400 installiert und benutzt werden soll, müssen die Schalter OPERATE sowohl am Slave-Gerät als auch am Master-Gerät auf [ON] gestellt werden, damit die Steuerung vom Slave-Gerät ausgeübt werden kann. Stellen Sie zuerst den Schalter OPERATE am Slave-Gerät, und dann den Schalter OPERATE am Master-Gerät auf [ON].

4 Buchse INCOM

Die INCOM-(Inter-Communication)-Kopfgarnitur wird hier angeschlossen.

5 Regler LEVEL

Dieser Regler dient zum Einstellen der Lautstärke am Empfänger der Kopfgarnitur.

6 Taste CALL

Wenn diese Taste gedrückt wird, ertönt der Summer des angeschlossenen Steuergerätes, und die Lampe der Taste CALL leuchtet auf.

Teile und ihre Funktionen

7 Taste IRIS [AUTO/MANU/LOCK]

Diese Taste dient zur Wahl der Einstellmethode der Objektivblenden der Kameras im gegenwärtig ausgewählten Schwenk-/Neigekopfsystem.

Mit jedem Drücken wird die Einstellung zwischen AUTO, MANU und LOCK umgeschaltet.

AUTO: Die Kameras stellen die Objektivblende automatisch entsprechend der Lichtmenge ein, und die Lampe der Taste IRIS leuchtet auf.

MANU: Die Objektivblende kann mit dem Blendenknopf manuell eingestellt werden. In dieser Stellung ist die Lampe der Taste IRIS erloschen.

LOCK: Die Objektivblende wird auf die manuell vorgenommene Einstellung fixiert. Die Blende verstellt sich auch durch Drehen des Einstellrads (9) IRIS nicht. In diesem Zustand blinkt die Lampe der Taste IRIS langsam.

Bei Wahl von MANU oder LOCK beginnt die Lampe der Taste IRIS schnell zu blinken, wenn der Blendenknopf gedreht wird, um anzuzeigen, dass die Objektivblende nicht durch Drehen des Blendenknopfes (9) verstellt werden kann.

- Die Taste IRIS des Steuergerätes ist funktionsunfähig, wenn die Fernsteuerbox WV-CB700A an das Steuergerät angeschlossen wird. Wählen Sie AUTO oder MANU mit der Taste IRIS [AUTO/MAN] an der Box WV-CB700A.

8 SD CARD-Steckplatz

In diesen Steckplatz werden SD-Speicherkarten eingeschoben. Die Einstellungen des Schwenk-/Neigekopfes und der Kamera können auf diesen Karten gespeichert werden.

9 Blendenknopf

Die Objektivblende kann durch Drehen dieses Knopfes eingestellt werden, wenn die Taste (7) IRIS [AUTO/MANU/LOCK] auf MANU gestellt wird. Durch Drehen des Knopfes im Uhrzeigersinn wird die Blende geöffnet und durch Drehen entgegen dem Uhrzeigersinn geschlossen.

- Der Blendenknopf des Steuergerätes ist funktionsunfähig, wenn die Fernsteuerbox WV-CB700A an das Steuergerät angeschlossen wird. Stellen Sie dann die Blende mit dem Regler IRIS an der Box WV-CB700A ein.

10 Zoomhebel/Fokussierknopf

Benutzen Sie den Zoomhebel, um die Brennweite des Objektivs zu verändern. Die Einstellungen TELE (Tele) und WIDE (Weitwinkel) werden durch die Neigungsrichtung des Hebels erzielt, während die Zoomgeschwindigkeit durch den Neigungswinkel des Hebels eingestellt wird.

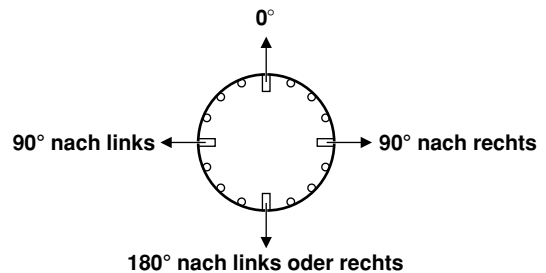
Mit dem Fokussierknopf am oberen Ende des Hebels wird die Schärfe des Objektivs eingestellt.

11 Schwenkanzeige [PAN]

Mit sechzehn LEDs wird die Position des Schwenk-/Neigekopfes in der horizontalen Drehrichtung auf 200° nach links oder rechts angezeigt.

Wenn der Schwenk-/Neigekopf um mehr als 180° bis zu 200° nach rechts gedreht wird, blinkt die 180-Grad-LED, und die LEDs zu ihrer Linken leuchten.

Wenn der Schwenk-/Neigekopf dagegen um mehr als 180° bis zu 200° nach links gedreht wird, blinkt die 180-Grad-LED, und die LEDs zu ihrer Rechten leuchten.



12 Blendenanzeige

Die Position der Objektivblende im gegenwärtig ausgewählten Schwenk-/Neigekopfsystem wird durch eine 6-Stufen-Anzeige (GESCHLOSSEN → OFFEN) angezeigt.

13 Zoomanzeige

Die Position des Objektivzooms im gegenwärtig ausgewählten Schwenk-/Neigekopfsystem wird durch eine 6-Stufen-Anzeige (WEITWINKEL → TELE) angezeigt.

14 Fokusanzeige

Die Position des Objektivfokus im gegenwärtig ausgewählten Schwenk-/Neigekopfsystem wird durch eine 6-Stufen-Anzeige (NAH → WEIT) angezeigt.

15 Tasten OPTION [A bis H]

Die Funktionen "NOT USE", "LAMP", "DEFROSTER", "WIPER", "HEATER/FAN", "AF", "ND", "OPTION" und "EXTENDER" können durch Menüeinstellungen den Tasten OPTION A bis H zugewiesen werden.

16 Taste HOME

Drücken Sie diese Taste, um den Schwenk-/Neigekopf und die Rolleinheit auf die Ausgangsstellung zu bewegen.

17 Regler LCD CONTRAST

Dient zur Einstellung des Kontrasts des LCD-Felds.

Teile und ihre Funktionen

18 Taste MEMORY

Wenn eine der Wahltasten (19) PRESET MEMORY [1] bis [50] bei gedrückt gehaltener Taste MEMORY gedrückt wird, können die Einstellungen des Schwenk-/Neigekopfsystems unter dieser Wahltaste PRESET MEMORY registriert werden.

Die Taste MEMORY blinkt, falls der mit der Taste (24) CONTROL SELECT gewählte Schwenk-/Neigekopf nicht angeschlossen oder nicht eingeschaltet ist.

19 Wahltasten PRESET MEMORY [1] bis [50]

Benutzen Sie diese Tasten, um die unter ihnen registrierten Einstellungen aufzurufen.

Wenn Daten in den Ablaufspeicherplätzen registriert worden sind, erscheinen die Aufzeichnungs-/Wiedergabezeitanzeigen.

20 LCD-Feld

Die aktuellen Einstellungszustände werden auf diesem Feld angezeigt.

21 Taste MENU/LIMIT

Halten Sie diese Taste mindestens zwei Sekunden lang gedrückt, um das Einstellungsmenü ein- oder auszuschalten.

Wenn die Wahltaste (19) PRESET MEMORY [5], [10], [15], [20], [25] oder [30] bei gedrückt gehaltener Taste MENU/LIMIT gedrückt wird, kann die EIN/AUS-Steuerung über die Begrenzer ausgeübt werden.

22 Einstellrad CONT

Dieses Rad wird für Einstellungsmenüoperationen verwendet.

23 Lampen TALLY [1] bis [5]

Wenn Rotlichtsignale den Stiften [1] bis [5] des Anschlusses (31) TALLY/INCOM an der Rückwand zugeführt werden, leuchten die Lampen, die diesen Stiften entsprechen, auf.

Wenn Rotlichtsignale den Rotlichtanschlüssen [1] bis [5] der Fernsteuerkonsole AW-CB400 zugeführt werden, leuchten die Lampen mit den diesen Anschlüssen entsprechenden Nummern ebenfalls auf, falls diese Konsole an das Schwenk-/Neigekopf-Steuergerät angeschlossen ist.

24 Tasten CONTROL SELECT [1] bis [5]

Die Anschlüsse (34) CONTROL OUT TO PAN/TILT HEAD [P1] bis [P5] an der Rückwand können durch Drücken der Tasten [1] bis [5] ausgewählt werden. Die Tastenlampen, die den Nummern der gedrückten Tasten entsprechen, leuchten auf, und die ausgewählten Schwenk-/Neigekopfsysteme können gesteuert werden. Wenn der Anschluss (35) MONI SEL OUT dieses Steuergerätes mit dem Anschluss MONI SEL IN des Kabelkompensators AW-RC400 verbunden wird, können die Bilder der an MONI1 oder MONI2 des AW-RC400 angeschlossenen Kamera ausgegeben werden.

- Wenn zwei Steuergeräte AW-RP400 verbunden werden, kann die Kombination der Steuergeräte, die den Monitorausgang wählen, im Menü eingestellt werden.

25 Lampen ANOTHER CONTROL [1] bis [5]

Wenn ein weiteres Steuergerät AW-RP400 angeschlossen wird, zeigen diese Lampen die Nummern der mit dem zusätzlichen Steuergerät AW-RP400 gewählten Schwenk-/Neigekopfsysteme an.

26 Tasten TRACING MEMORY [START POINT, STOP, RESTORE, RESET, 1 bis 10]

Benutzen Sie diese Tasten für die Ablaufspeicheroperationen. Einzelheiten zur Bedienung finden Sie im Abschnitt über den Ablaufspeicher.

27 Regler SPEED

[ZOOM/FOCUS/PAN/TILT/ROTATION]

Mit diesen Reglern können die Steuergeschwindigkeiten von Schwenk-/Neigekopf, Objektiv und Rolleinheit eingestellt werden.

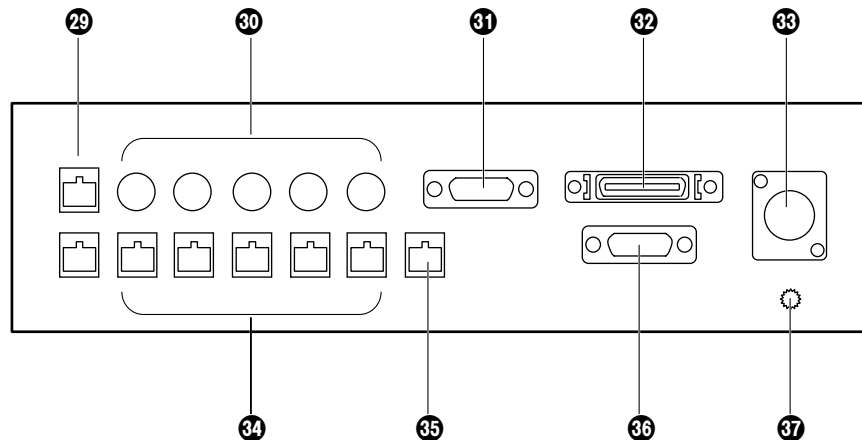
Wenn diese Regler bis zum Anschlag nach links gedreht werden, kann die Operation der Schwenk-/Neigeköpfe und Objektive gesperrt werden, selbst wenn die Steuerung über den Joystick usw. ausgeübt wird.

28 Hebel PAN/TILT/Steuerschalter ROTATION

Benutzen Sie diese Bedienelemente, um die Richtung der Schwenk-/Neigeköpfe einzustellen. Wenn der Hebel nach links oder rechts geneigt wird, bewegen sich die Schwenk-/Neigeköpfe nach links oder rechts; wenn er nach vorne oder hinten geneigt wird, bewegen sie sich nach oben oder unten. Die Bewegungsgeschwindigkeit kann durch den Neigungswinkel des Hebels eingestellt werden. Darüber hinaus kann der Winkel der Rolleinheit AW-RL400 mit Hilfe des Steuerschalters ROTATION an der Vorderseite des Hebels eingestellt werden. Wird der obere Teil des Steuerschalters ROTATION gedrückt, dreht sich die Rolleinheit im Uhrzeigersinn; wird der untere Teil gedrückt, dreht sie sich entgegen dem Uhrzeigersinn. Die Drehgeschwindigkeit ändert sich mit dem Betrag des ausgeübten Drucks.

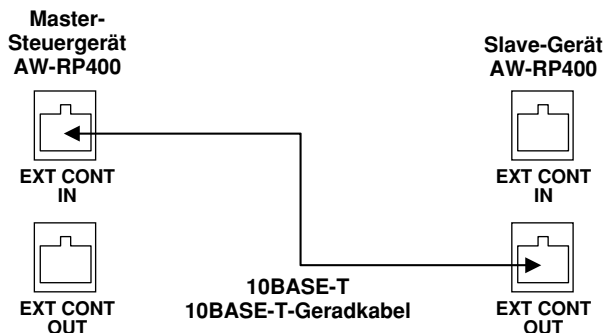
Teile und ihre Funktionen

■ Rückwand



29 Anschlüsse EXT CONT IN/OUT

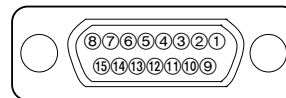
Wenn ein zusätzliches Steuergerät AW-RP400 verwendet werden soll, verbinden Sie diese Anschlüsse an beiden Steuergeräten AW-RP400 mit einem 10BASE-T-Geradkabel (entsprechend UTP-Kategorie 5).



31 Anschluss TALLY/INCOM

Verbinden Sie diesen Anschluss mit dem Anschluss TALLY/INCOM am Bildmischpult oder einem anderen Gerät.

Wenn der Eingangsanschluss TALLY auf den GND-Pegel gesetzt wird, leuchtet die Lampe TALLY am Steuergerät oder am Schwenk-/Neigekopf auf. Legen Sie keine Spannung über 5 V an diesen Anschluss an.



Ansicht der Stiftanordnung von der Rückwand des AW-RP400

Stift-Nr.	Signalbezeichnung
1	TALLY1
2	TALLY2
3	TALLY3
4	TALLY4
5	TALLY5
6	TALLY GND
7	---
8	---
9	---
10	---
11	---
12	---
13	---
14	MIC+
15	MIC-
	INCOM GND
	SP-
	SP+

30 Anschlüsse CAMERA CONTROL IN FROM RCB [P1] bis [P5]

Schließen Sie die Fernsteuerboxen WV-CB700A an diese Anschlüsse an.

Die an den Schwenk-/Neigeköpfen installierten Kameras, die den Anschlüssen entsprechen, an welche die Boxen WV-CB700A angeschlossen sind, können dann gesteuert werden.

Wenn auch nur eine Box WV-CB700A angeschlossen ist, können die Kameras nicht über die angeschlossene Fernsteuerkonsole AW-CB400 gesteuert werden.

Benutzen Sie den mitgelieferten Stecker (D-SUB, 15-polig), um die Rotlicht/INCOM-Signale dem System zuzuführen.

Schließen Sie ein 4-Leiter-INCOM-System an den Anschluss INCOM an.

Wenn ein zusätzliches Steuergerät verwendet wird oder die Fernsteuerkonsole AW-CB400 angeschlossen worden ist, wird die Rotlicht- oder INCOM-Funktion aller Geräte wirksam, wenn Rotlicht- oder INCOM-Signale einem der Geräte zugeführt werden.

Teile und ihre Funktionen

32 Anschluss REMOTE

An diesen Anschluss kann ein externes Gerät angeschlossen werden, um die Schwenk-/Neigekopfsysteme über einen PC oder ein anderes externes Gerät zu steuern.

Verbinden Sie diesen Anschluss über das RS-232C-Kabel AW-CA50T9 mit dem PC.

33 Eingang DC 12V IN

Schließen Sie das Netzgerät AW-PS505 (getrennt erhältlich) an diesen Eingang an.

34 Anschlüsse CONTROL OUT TO PAN/TILT HEAD [P1] bis [P5]

Verbinden Sie diese Anschlüsse über 10BASE-T-Geratkabel (entsprechend UTP-Kategorie 5) mit den Anschlüssen IP/RP der Innenraum-Schwenk-/Neigeköpfe AW-PH400. Die Kabel können auf ein Maximum von 500 m verlängert werden.

35 Anschluss MONI SEL OUT

Verbinden Sie diesen Anschluss über ein 10BASE-T-Geratkabel (entsprechend UTP-Kategorie 5) mit dem Anschluss MONI SEL OUT am Kabelkompensator AW-RC400.

Die Bilder der mit dem Steuergerät ausgewählten Kamera können nun über den Anschluss MONITOR1 oder MONITOR2 des AW-RC400 ausgegeben werden.

36 Anschluss CAMERA CONTROL IN FROM RCP

Schließen Sie die Fernsteuerkonsole AW-CB400 über das in ihrem Lieferumfang enthaltene Verbindungskabel an diesen Anschluss an.

Die an den Schwenk-/Neigeköpfen installierten Kameras können nun über die Konsole AW-CB400 gesteuert werden.

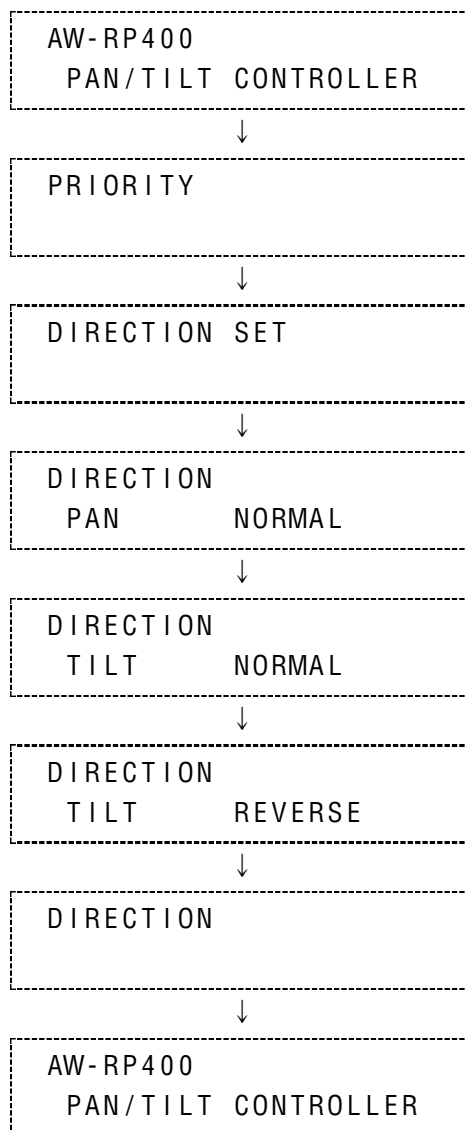
37 Erdklemme

Verbinden Sie diese Klemme mit Erde.

Menüeinstellungen

■ Bedienungsverfahren

- ① Die Menüposten werden angezeigt, wenn die Taste MENU/LIMIT mindestens zwei Sekunden lang gedrückt gehalten wird.
- ② Wenn nichts in der unteren Zeile des LCD-Displays angezeigt wird, drehen Sie das Einstellrad CONT, um einen Menüposten auszuwählen.
- ③ Wenn das Einstellrad CONT gedrückt wird, erscheint die Einstellung in der unteren Zeile. Wenn ein Menüposten mehr als eine Einstellung aufweist, werden die Einstellungen in der unteren Zeile bei jedem Drücken des Einstellrads umgeschaltet.
- ④ Wenn eine Einstellung angezeigt wird, kann sie durch Drehen des Einstellrads CONT geändert werden.
- ⑤ Wenn Sie das Einstellrad CONT fortlaufend drücken, wird das Ende aller detaillierten Einstellungen erreicht, und die Anzeige in der unteren Zeile wird gelöscht, so dass ein anderer Menüposten ausgewählt werden kann.
- ⑥ Um das Einstellungsmenü zu verlassen, halten Sie die Taste MENU/LIMIT mindestens zwei Sekunden lang gedrückt. Selbst wenn eine Einstellung in der unteren Zeile des LCD-Displays angezeigt wird, wird das Menü verlassen, wenn die Taste MENU/LIMIT länger als zwei Sekunden gedrückt gehalten wird.



Menüeinstellungen

■ Liste der Menüposten und Einstellungen

Menüposten	Einstellung	Beschreibung	Anfangswert
PRIORITY		MASTER, SLAVE	MASTER
DIRECTION	PAN	NORMAL, REVERSE	NORMAL
	TILT		
	ZOOM		
	FOCUS		
	IRIS		
	ROTATION		
SPEED WITH ZOOM POS.		OFF, 1, 2, 3	OFF
MEMORY LENGTH		60s, 120s, 300s, 600s	60s
PRESET SPEED		1 bis 25	25
IRIS CONTROL		BOTH, RP400, CB400	BOTH
ROTATION SWITCH		ROTATION, FOCUS, ZOOM, IRIS	ROTATION
OPTION SWITCH	A	NOT USE, LAMP, EFROSTER, WIPER, HEATER/FAN, AF, ND, OPTION, EXTENDER	NOT USE
	B		
	C		
	D		
	E		
	F		
	G		
H			
CONTROL SELECT MODE		INTERLOCK, UN-INTERLOCK	INTERLOCK
MONITOR2 SELECT	(Wenn das Steuergerät das Master-Gerät ist)	CB400, SLAVE	CB400
	(Wenn das Steuergerät das Slave-Gerät ist)	RP400, CB400	RP400
BUZZER		OFF, ON	ON
AUTO RUN	START No.	1 bis 50	1
	END No.	1 bis 50	50
	INTERVAL	1s bis 30s	1s
	OPERATE	STOP, RUN	STOP
SD CARD		STORE, LOAD	---

PRIORITY (MASTER/SLAVE)

Wenn zwei Schwenk-/Neigekopf-Steuergeräte AW-RP400 verbunden sind, muss die Priorität der Tasten CONTROL SELECT festgelegt werden.

Wenn MASTER als Einstellung gewählt wird, hat das Master-Gerät AW-RP400 den Vorrang; wenn SLAVE gewählt wird, hat das Slave-Gerät AW-RP400 den Vorrang.

Falls das Steuergerät AW-RP400 mit hoher Priorität die Schwenk-/Neigeköpfe wählt, die bereits vom Steuergerät AW-RP400 mit niedriger Priorität gewählt wurden, beginnen die Lampen der Tasten CONTROL SELECT am Steuergerät AW-RP400 mit niedriger Priorität zu blinken, um anzuzeigen, dass die Steuerrechte an das andere Steuergerät abgegeben worden sind.

Diese Einstellung wird mit dem Master-Steuergerät AW-RP400 durchgeführt.

Menüeinstellungen

DIRECTION-Einstellungen (PAN, TILT, ZOOM, FOCUS, IRIS, ROTATION NORMAL/REVERSE)

Der Menüposten DIRECTION ermöglicht die wunschgemäße Einstellung der Bewegungsrichtung von PAN, TILT, ZOOM, FOCUS, IRIS oder ROTATION bei Betätigung des Hebels oder des Einstellrads.

- PAN:** Bei Wahl von NORMAL bewegt sich der Schwenk-/Neigekopf nach links, wenn der Hebel PAN/TILT nach LINKS geneigt wird, und nach rechts, wenn der Hebel nach RECHTS geneigt wird. Bei Wahl von REVERSE bewegt sich der Kopf in die entgegengesetzte Richtung.
- TILT:** Bei Wahl von NORMAL bewegt sich der Schwenk-/Neigekopf nach oben, wenn der Hebel PAN/TILT nach HINTEN geneigt wird, und nach unten, wenn der Hebel nach VORNE geneigt wird. Bei Wahl von REVERSE bewegt sich der Kopf in die entgegengesetzte Richtung.
- ZOOM:** Bei Wahl von NORMAL fährt das Zoomobjektiv in den Telebereich, wenn der Zoomhebel nach TELE geneigt wird, und in den Weitwinkelbereich, wenn der Hebel nach WIDE geneigt wird. Bei Wahl von REVERSE erfolgt die Zoomfahrt in die entgegengesetzte Richtung.
- FOCUS:** Bei Wahl von NORMAL verschiebt sich der Fokus des Objektivs nach FAR, wenn der Fokussierknopf im Uhrzeigersinn gedreht wird, und nach NEAR, wenn der Knopf entgegen dem Uhrzeigersinn gedreht wird. Bei Wahl von REVERSE verschiebt sich der Fokus in die entgegengesetzte Richtung.
- IRIS:** Bei Wahl von NORMAL öffnet sich die Objektivblende, wenn der Blendenknopf im Uhrzeigersinn gedreht wird, während sie sich schließt, wenn der Knopf entgegen dem Uhrzeigersinn gedreht wird. Bei Wahl von REVERSE verstellt sich die Objektivblende in die entgegengesetzte Richtung.
- ROTATION:** Bei Wahl von NORMAL bewegt sich der Schwenk-/Neigekopf im Uhrzeigersinn, wenn der obere Teil des Steuerschalters ROTATION gedrückt wird, und entgegen dem Uhrzeigersinn, wenn der untere Teil gedrückt wird. Bei Wahl von REVERSE bewegt sich der Kopf in die entgegengesetzte Richtung.

Einstellung SPEED WITH ZOOM POS. (OFF/1/2/3)

Bei der Einstellung OFF ändert sich die Schwenk- und Neigegegeschwindigkeit nicht in Übereinstimmung mit der Zoomposition. Bei der Einstellung 1, 2 oder 3 verringert sich die Schwenk- und Neigegegeschwindigkeit des Schwenk-/Neigekopfes, wenn sich der Zoom dem Teleanschlag nähert, so dass die Einstellung der Schwenk- oder Neigegeposition selbst am Teleanschlag erleichtert wird.

Je höher die für die Einstellung gewählte Zahl ist, desto niedriger wird die Schwenk- und Neigegegeschwindigkeit am Teleanschlag, und desto einfacher wird die Einstellung der Position bei Verwendung eines Zoomobjektivs mit hohem Vergrößerungsverhältnis.

Einstellung PRESET SPEED (1 bis 25)

Während der Vorwahl-speicherdatenwiedergabe ermöglicht dieser Menüposten die Einstellung der Bewegungsgeschwindigkeit zu den Vorwahlpositionen auf eine von 25 Stufen. Je höher der Einstellwert, desto höher die Bewegungsgeschwindigkeit zu den Vorwahlpositionen; je niedriger der Einstellwert, desto niedriger die Bewegungsgeschwindigkeit.

Einstellung IRIS CONTROL (BOTH/RP400/CB400)

Wenn die Fernsteuerkonsole AW-CB400 an das Steuergerät AW-RP400 angeschlossen ist, kann mit diesem Menüposten festgelegt werden, welches Steuergerät für die Einstellung der Objektivblende zu benutzen ist.

Bei Wahl der Einstellung BOTH kann die Objektivblende sowohl mit AW-RP400 als auch mit AW-CB400 gesteuert werden. Bei Wahl der Einstellung RP400 erfolgt die Steuerung nur mit AW-RP400, und bei Wahl der Einstellung CB400 erfolgt die Steuerung nur mit AW-CB400.

Einstellung ROTATION SWITCH (ROTATION/FOCUS/ZOOM/IRIS)

Dieser Menüposten ermöglicht die Wahl von ROTATION, FOCUS, ZOOM oder IRIS als die mit dem Schalter ROTATION zu steuernde Funktion.

Menüeinstellungen

Einstellungen OPTION SWITCH A bis H

(NOT USE / DEFROSTER / WIPER / HEATER/FAN / AUTO FOCUS / ND / OPTION / EXTENDER)

Die folgenden Funktionen können den Tasten OPTION A bis H zugewiesen werden. Unterschiedliche Funktionen können für unterschiedliche Schwenk-/Neigeköpfe zugewiesen werden.

- NOT USE:** Die Taste ist deaktiviert.
- DEFROSTER:** Dies steuert den EIN- und AUS-Zustand der Entfroster-Funktion, wenn ein mit dieser Funktion ausgestattetes Schwenk-/Neigekopfsystem verwendet wird.
Mit jedem Drücken der Taste wird von EIN auf AUS umgeschaltet und umgekehrt.
Wenn die Entfroster-Funktion eingeschaltet ist, leuchtet die Lampe der Taste, der diese Funktion zugewiesen wurde; wenn die Funktion ausgeschaltet ist, erlischt die Lampe.
- WIPER:** Dies steuert den EIN- und AUS-Zustand der Wischer-Funktion, wenn ein mit dieser Funktion ausgestattetes Schwenk-/Neigekopfsystem verwendet wird.
Mit jedem Drücken der Taste wird von EIN auf AUS umgeschaltet und umgekehrt.
Wenn die Wischer-Funktion eingeschaltet ist, leuchtet die Lampe der Taste, der diese Funktion zugewiesen wurde; wenn die Funktion ausgeschaltet ist, erlischt die Lampe.
- HEATER/FAN:** Dies steuert den EIN- und AUS-Zustand der Heizungs-/Lüfter-Funktion, wenn ein mit dieser Funktion ausgestattetes Schwenk-/Neigekopfsystem verwendet wird.
Mit jedem Drücken der Taste wird von EIN auf AUS umgeschaltet und umgekehrt.
Wenn die Heizungs-/Lüfter-Funktion eingeschaltet ist, leuchtet die Lampe der Taste, der diese Funktion zugewiesen wurde; wenn die Funktion ausgeschaltet ist, erlischt die Lampe.
- OPTION:** Dies steuert die Zustände Kurzschluss und Unterbrechung des Anschlusses OPTION CONTROL OUT des Netzgerätes, wenn ein Netzgerät für ein Schwenk-/Neigekopfsystem verwendet wird, das mit der Steuerfunktion des Schalters OPTION ausgestattet ist.
Mit jedem Drücken der Taste wird von Kurzschluss auf Unterbrechung umgeschaltet und umgekehrt.
Im Falle von Kurzschluss leuchtet die Lampe der Taste, der diese Funktion zugewiesen wurde; im Falle von Unterbrechung erlischt die Lampe.
- ND:** Dies steuert den EIN- und AUS-Zustand des ND-Filters, wenn ein mit ND-Filter ausgestattetes Objektiv verwendet wird. Mit jedem Drücken der Taste wird von EIN auf AUS umgeschaltet und umgekehrt.
Wenn der ND-Filter eingeschaltet ist, leuchtet die Lampe der Taste, der diese Funktion zugewiesen wurde; wenn der ND-Filter ausgeschaltet ist, erlischt die Lampe.
- EXTENDER:** Dies steuert den EIN- und AUS-Zustand des Telekonverters, wenn ein mit Telekonverter ausgestattetes Objektiv verwendet wird.
Mit jedem Drücken der Taste wird von EIN auf AUS umgeschaltet und umgekehrt.
Wenn der Telekonverter eingeschaltet ist, leuchtet die Lampe der Taste, der diese Funktion zugewiesen wurde; wenn der Telekonverter ausgeschaltet ist, erlischt die Lampe.
- AF:** Dies steuert den EIN- und AUS-Zustand der Autofokus-Funktion, wenn ein mit dieser Funktion ausgestattetes Objektiv verwendet wird.
Mit jedem Drücken der Taste wird von EIN auf AUS umgeschaltet und umgekehrt.
Wenn die Autofokus-Funktion eingeschaltet ist, leuchtet die Lampe der Taste, der diese Funktion zugewiesen wurde; wenn die Funktion ausgeschaltet ist, erlischt die Lampe.

Einstellung MEMORY LENGTH (60s/120s/300s/600s)

Dieser Menüposten dient zur Einstellung der Ablaufspeicher-Datenaufzeichnungszeit und der Anzahl der Speicherplätze.

- 60s** : 60 sek. × 10 Speicherplätze
- 120s** : 120 sek. × 5 Speicherplätze
- 300s** : 300 sek. × 2 Speicherplätze
- 600s** : 600 sek. × 1 Speicherplatz

- Wenn bereits Daten in einem Ablaufspeicher registriert worden sind, kann die Einstellung für die Aufzeichnungszeit und die Anzahl der Speicherplätze nicht geändert werden. Um eine Einstellung zurückzusetzen, müssen zuerst die registrierten Daten im Ablaufspeicher gelöscht werden.

Einstellung CONTROL SELECT MODE (INTERLOCK/UN-INTERLOCK)

Dieser Menüposten dient zur Wahl der Methode, nach welcher der Schwenk-/Neigekopf und die Kamera ausgewählt wird, wenn die Fernsteuerkonsole AW-CB400 an das Steuergerät AW-RP400 angeschlossen ist.

- INTERLOCK:** Wenn das Schwenk-/Neigekopf- und Kamerasystem vom AW-RP400 bzw. AW-CB400 ausgewählt wird, wird dasselbe System auch von dem anderen Gerät ausgewählt.
- UN-INTERLOCK:** Unterschiedliche Schwenk-/Neigekopf- und Kamerasysteme können vom AW-RP400 und AW-CB400 ausgewählt werden.

Menu settings

Einstellung MONITOR SELECT

Dieser Menüposten dient zur Wahl des Steuergerätes, mit dem die Bilder des Ausgangs MONITOR2 des AW-RC400 umgeschaltet werden, wenn die Fernsteuerkonsole AW-CB400 und ein zweites Steuergerät AW-RP400 an dieses Steuergerät AW-RP400 angeschlossen sind und der Kabelkompensator AW-RC400 verwendet wird.

Nach Einstellung des Master- und Slave-Gerätes AW-RP400 werden die Kamerabilder, die von dem in der nachstehenden Tabelle angegebenen Steuergerät ausgewählt wurden, über den Monitorausgang des AW-RC400 ausgegeben.

Menüeinstellung des AW-RP400		AW-RC400	
Master-Gerät	Slave-Gerät	MONITOR1	MONITOR2
MON2 = CB400	MONITOR2 = Einstellung deaktiviert	Master RP400	Master CB400
MON2 = SLAVE	MONITOR2 = RP400	Master RP400	Slave RP400
	MONITOR2 = CB400	Master RP400	Slave CB400

Wenn der Kabelkompensator an das Slave-Gerät AW-RP400 angeschlossen ist, werden die vom Slave-Gerät AW-RP400 ausgewählten Bilder an MONITOR1 des AW-RP400, und die vom Slave-Gerät AW-CB400 ausgewählten Bilder an MONITOR2 ausgegeben, ohne Rücksicht auf diese Einstellung.

Einstellung BUZZER (OFF/ON)

Dieser Menüposten dient zur Wahl von EIN oder AUS für den Summer im Steuergerät. Bei Wahl von OFF ertönt der Summer nicht.

Der Summer ertönt, wenn die Taste CALL gedrückt wird, oder wenn eine Ablaufspeicheroperation (Aufzeichnung, Wiedergabe oder Änderung) gestartet, aufgehoben oder beendet wird.

Einstellung AUTO RUN (START No., END No., INTERVAL)

Dieser Menüposten ermöglicht die automatische Wiederholung der Voreinstellungen des Schwenk-/Neigekopfes.

- START No. (1 bis 50):** Damit wird die erste Nummer der zu wiederholenden Voreinstellung festgelegt.
- END No. (1 bis 50):** Damit wird die letzte Nummer der zu wiederholenden Voreinstellung festgelegt.
- INTERVAL (1s bis 30s):** Damit wird die Stoppzeit an der Vorwahlposition festgelegt.
Bis zu 30 Sekunden können in 1-Sekunden-Schritten für die Stoppzeit eingestellt werden.
- OPERATE (STOP/RUN):** Wenn RUN gewählt wird, werden die Voreinstellungen von START No. bis STOP No. wiederholt wiedergegeben; wenn STOP gewählt wird, stoppt die Operation.
Bei Betätigung des Hebels PAN/TILT wird STOP automatisch gewählt und die Operation gestoppt.

Einstellung SD CARD

Die Menüeinstellungsdaten dieses Steuergerätes sowie die Vorwahlspeicherdaten der Schwenk-/Neigeköpfe und die Einstellungsdaten der Kameras können auf SD-Speicherkarten gespeichert werden.

Wenn die Taste MENU während der Anzeige von STORE gedrückt wird, werden die Einstellungsdaten auf der SD-Speicherkarte gespeichert.

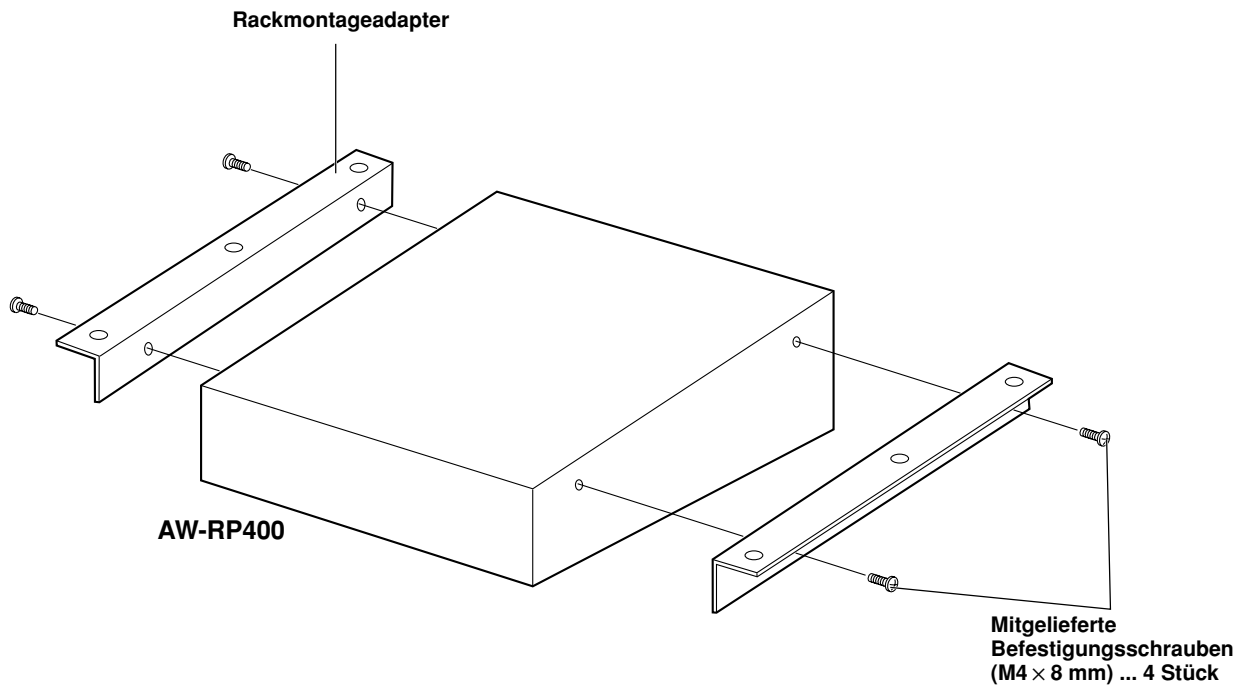
Wenn die Taste MENU während der Anzeige von LOAD gedrückt wird, werden die auf der SD-Speicherkarte gespeicherten Daten aufgerufen, und die Einstellungen werden in das Steuergerät, die Schwenk-/Neigeköpfe und die Kameras geladen.

- Die Ablaufspeicherdaten werden nicht gespeichert.

Beispiel für Rackmontage

■ Rackmontageverfahren des AW-RP400

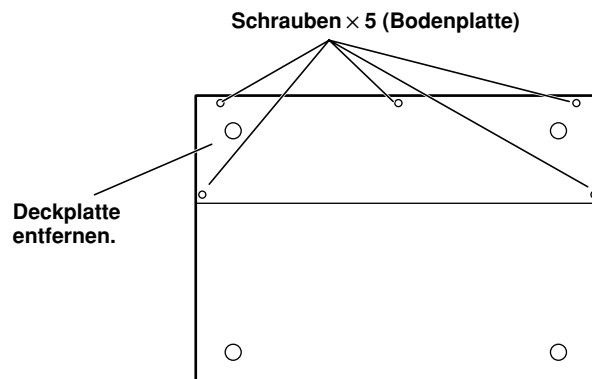
- ① Die Rackmontageadapter mit den mitgelieferten Befestigungsschrauben (M4 × 8 mm) befestigen.



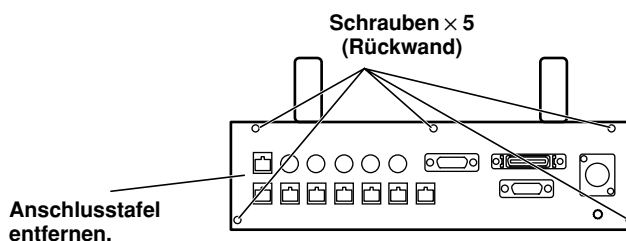
Beispiel für Rackmontage

■ Ändern der Einbauposition der Anschlussstafel

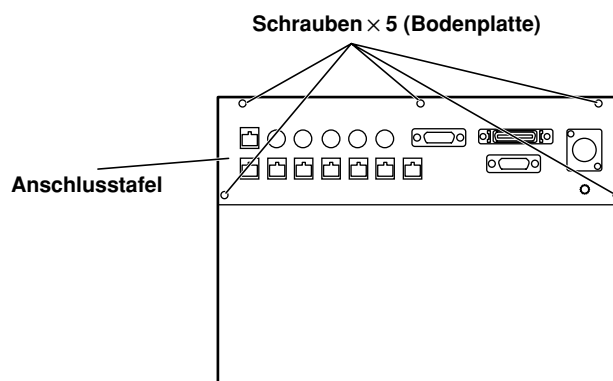
- ① Die fünf Schrauben der Bodenplatte entfernen, und die Deckplatte abnehmen.



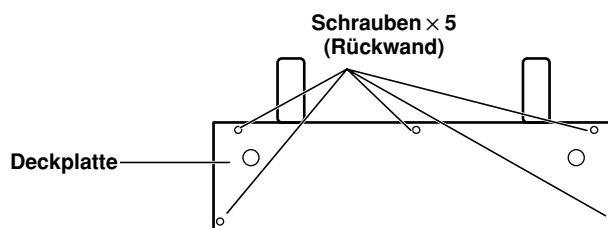
- ② Die fünf Schrauben von der Rückwand entfernen, und die Anschlussstafel abnehmen.



- ③ Die Anschlussstafel mit den Schrauben an der Bodenplatte befestigen.



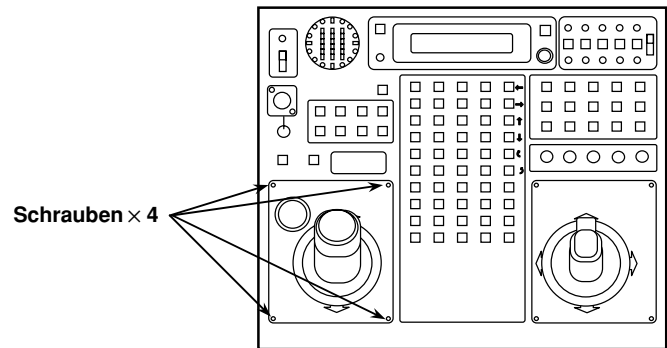
- ④ Die Deckplatte mit den Schrauben an der Rückwand befestigen.



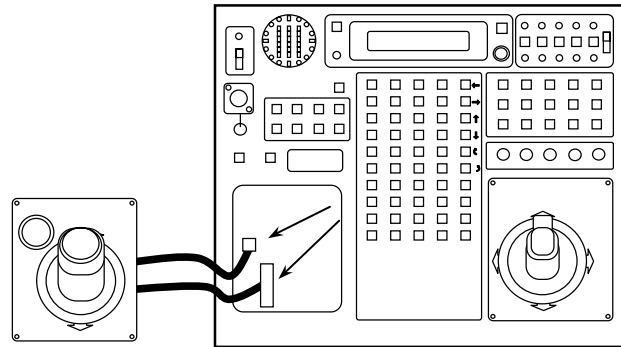
Beispiel für Rackmontage

■ Auswechseln des Zoomschalters

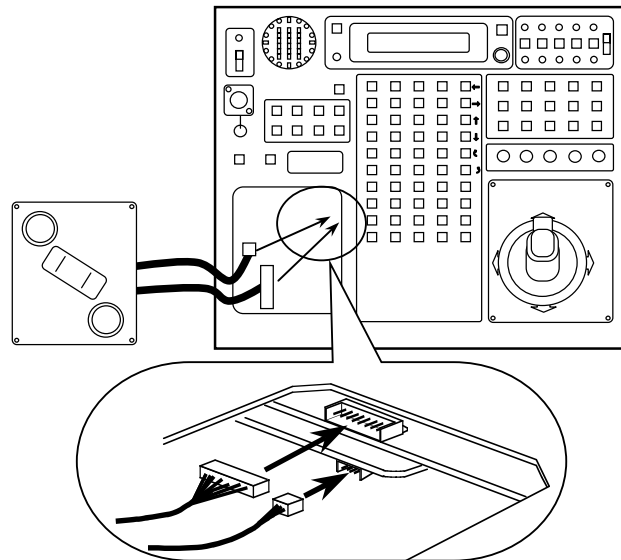
- ① Die vier Schrauben, mit denen der Zoomhebel befestigt ist, entfernen.



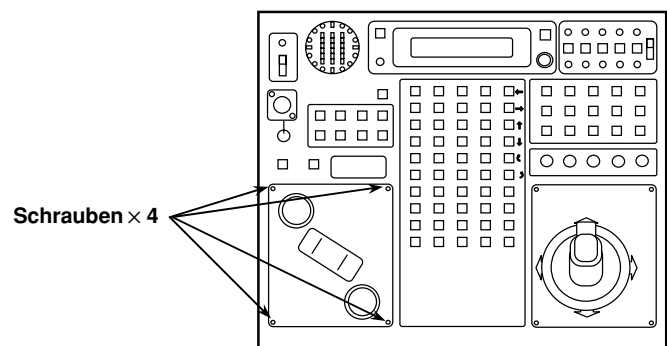
- ② Den Zoomhebel herausziehen, die zwei Kabel von der Platine im Inneren abtrennen, und den Zoomhebel abnehmen.



- ③ Die vom Zoomschalter kommenden zwei Kabel in die Anschlüsse der Platine im Inneren einstecken.



- ④ Den Zoomschalter mit den vier Schrauben befestigen.



Auswechseln von Verbrauchsteilen

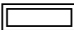
Die Joysticks und der Zoomschalter sind Verbrauchsteile.

Ersetzen Sie diese Teile, falls Sie nicht einwandfrei funktionieren.

Lassen Sie die Auswechselarbeit von Ihrem Händler durchführen.

Technische Daten

Versorgungsspannung: 10,8 V bis 16 V Gleichstrom Leistungsaufnahme: ca. 11 W

 ist die Sicherheitsinformation.

Eingänge

DC 12V IN:	XLR, 4-polig
CONTROL IN FROM ROP:	D-SUB 15-polig, Kabel mit der Fernsteuerkonsole AW-CB400 geliefert
CONTROL IN FROM RCB:	10-polige Rundbuchse, Kabel mit WV-CB700A geliefert
EXT CONT IN:	RJ45, zusätzlicher AW-RP400-Steuersignaleingang; 10BASE-T-Geradkabel (UTP-Kategorie 5), max. 500 m
REMOTE:	50-poliger D-SUB-Anschluss, externer Steuereingang, AW-CA50T9

Ausgänge

CONTROL OUT TO PAN/TILT HEAD:	RJ45, Schwenk-/Neigekopf-Steuersignalausgang; 10BASE-T-Geradkabel (UTP-Kategorie 5), max. 500 m
MONI SEL OUT:	RJ45, Monitorumschaltsignalausgang; 10BASE-T-Geradkabel (UTP-Kategorie 5), max. 50 m
EXT CONT OUT:	RJ45, zusätzlicher AW-RP400-Steuersignalausgang; 10BASE-T-Geradkabel (UTP-Kategorie 5), max. 500 m

Eingänge/Ausgänge

INCOM (Deckplatte):	XLR, 4-polig
TALLY/INCOM:	D-SUB, 15-polig TALLY: Kontakteingang (Keine Spannung über 5 V an diesen Anschluss anlegen.) INCOM: 4-Leitungs-System

Schalterfunktionen:

Master/Slave-Umschaltung, OPERATE-Steuerung, Ausgangsstellung, Menü-/Begrenzungsschalter, optionale Funktionsoperationen, Schwenk-/Neigekopfwahl, AUTO/MANU/LOCK-Umschaltung der Objektivblende, Vorwahlspeicherdatenoperationen, Ablaufspeicherdatenoperationen, Aufruf

Einstellungsfunktionen:

LCD-Kontrast, INCOM-Pegel, Objektivblende, Zoom, Fokus, Schwenken/Neigen/Drehen, Zoomgeschwindigkeit, Fokussiergeschwindigkeit, Schwenkgeschwindigkeit, Neigegeschwindigkeit, Drehgeschwindigkeit, Menüeinstellungen

Betriebstemperatur:

-10°C bis +45°C

Lagertemperatur:

-20°C bis +60°C

Betriebsluftfeuchtigkeit:

30% bis 90% (keine Kondensation)

Abmessungen (B × H × T):

320 × 85 × 266 mm

Gewicht:

ca. ?? kg

Gehäuse:

Farbe entspricht Munsell 3.5

Bei den obigen Gewichts- und Abmessungsangaben handelt es sich um Näherungswerte. Änderungen der technischen Daten vorbehalten.

Einleitung

- Der AW-RC400 bietet Kabelkompensation für analoge FBAS-, Y/C- oder Komponentensignale auf fünf Kanälen bis zu einer Entfernung von 500 m (bei Verwendung des Verbindungskabels 5C-2V oder eines entsprechenden Kabels).
- Er verfügt über eine 5- μ s-Vorlaufzeitfunktion für die Synchronsignale, um einfache Unterstützung für ein System (ein weiterer Kabelkompensator ist erforderlich) zu bieten, in dem das Verbindungskabel zwischen diesem Kabelkompensator AW-RC400 und der Kamera länger als 500 m ist.

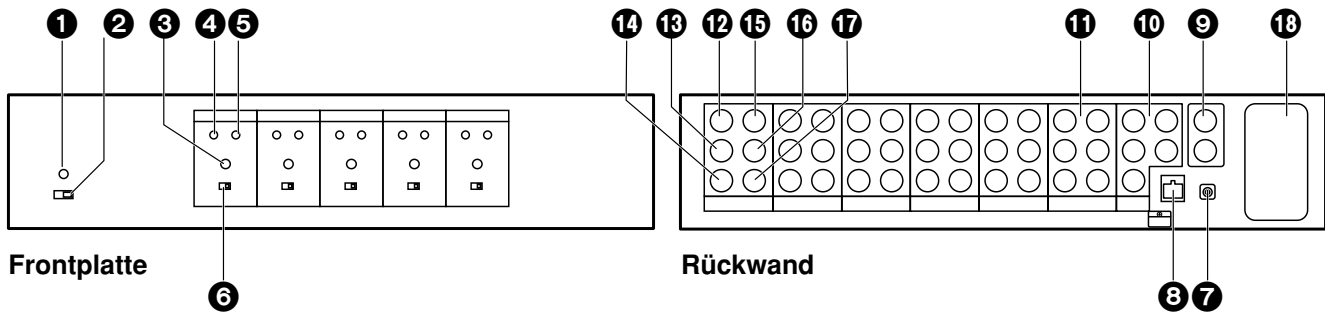
HINWEIS

- Geben Sie eines der beiden Synchronsignale in den Synchronsignaleingang am Kabelkompensator AW-RC400 oder Videosignale in einen der Videokanäle ein (FBAS-Signale oder Y-Signale mit Synchronisierung in den Videoeingang 1 eingeben). Falls keines dieser Signale eingegeben wird, lässt sich die Monitorwahl nicht steuern.
- Das Steuergerät AW-RP400 bietet Kabelkompensation für die drei Signalkanäle Y, Pr und Pb über einen einzigen Regler. Das bedeutet, dass die Signale Y, Pr und Pb nicht getrennt eingestellt werden können. Ebenso können die Signale Y und C nicht getrennt eingestellt werden.
- Der AW-RC400 ist ein Kabelkompensator und ist als solcher nicht mit Signalumwandlungsfunktionen (z.B. zur Umwandlung von Komponentensignalen in FBAS-Signale) ausgestattet.
- Wenn der Kabelkompensator am Ende seiner Lebensdauer ausrangiert werden soll, beauftragen Sie einen Fachbetrieb mit seiner sachgerechten Entsorgung, um die Umwelt zu schützen.

Zubehör

Rackmontageadapter.....	2
Befestigungsschrauben (M4 \times 8 mm).....	4

Teile und ihre Funktionen



1 Betriebs-LED

Diese leuchtet grün auf, wenn der Schalter (2) POWER auf ON gestellt wird, während eine 12-V-Gleichspannung der Buchse (7) DC 12V IN zugeführt wird.

2 Schalter POWER

Stellen Sie diesen Schalter auf ON, um den Kabelkompensator einzuschalten.

Ein Teil der Stromversorgungsschaltung ist noch aktiv, selbst wenn der Ein-Aus-Schalter auf OFF gestellt wird. Um die Stromversorgung völlig abzuschalten, muss das Netzgerät abgetrennt werden.

3 Kabellängen-Einstellschalter [0 bis 5]

Stellen Sie diese Schalter entsprechend der Länge des angeschlossenen Koaxialkabels ein. [0] liefert den minimalen, und [5] den maximalen Kabelkompensationsbetrag. Stellen Sie den Schalter als allgemeine Richtlinie auf [1], wenn das Koaxialkabel 100 m lang ist, und auf [2], wenn es 200 m lang ist.

4 Regler Y LEVEL

Dieser Regler dient zum Einstellen des Ausgangspegels der Kabelkompensations-Ausgangssignale (Videoausgang).

5 Regler F RESPONSE

Dieser Regler dient zur Einstellung des Kabelkompensationsbetrags (Frequenzgangkompensation) für die Kabelkompensations-Ausgangssignale.

6 Wahlschalter SHORT/LONG

Dieser Schalter steht normalerweise auf der Position SHORT. Stellen Sie ihn auf LONG, wenn das Koaxialkabel von der Kamera lang ist und der Synchronbereich der Kamera unzulänglich ist, oder wenn der Kabelkompensator als Teil eines Systems (ein weiterer Kabelkompensator ist erforderlich) verwendet wird, in dem das an die Kamera angeschlossene Koaxialkabel (5C-2V oder Entsprechung) länger als 500 m ist.

7 Eingang DC 12V IN

Dies ist die Stromeingangsbuchse. Das Netzgerät AW-PS301 (getrennt erhältlich) wird hier angeschlossen.

8 Anschluss MONI SEL IN

Steuersignale zur Wahl der an den Anschluss MONITOR1 oder 2 ausgegebenen Videosignale werden diesem Anschluss zugeführt. Verbinden Sie diesen Anschluss über ein 10BASE-T-Geradkabel (entsprechend UTP-Kategorie 5) mit dem Anschluss MONI SEL OUT am Schwenk-/Neigekopf-Steuergerät AW-RP400. Es ist dann möglich, die Videosignale der Kamera, die mit dem AW-RP400 oder der an das AW-RP400 angeschlossenen Fernsteuerkonsole AW-CB400 ausgewählt wird, an den Anschluss MONITOR1 oder MONITOR2 auszugeben.

9 Buchsen G/L IN

Die Synchronsignale (Black-Burst-Signale) werden hier eingegeben. Diese Buchsen werden durch einen 75-Ohm-Widerstand automatisch intern terminiert. Die Spezifikationen der oberen und unteren Buchse sind identisch, und die Signale können beiden Buchsen zugeführt werden. Die Terminierung wird aufgehoben, wenn BNC-Kabel an beide Eingangsbuchsen angeschlossen werden (bei Verwendung in einer Durchschleifkonfiguration).

10 Buchsen G/L OUT [1 bis 5]

Die der Buchse G/L IN zugeführten Genlocksignale können an fünf Kameras verteilt und ausgegeben werden.

Verwenden Sie die Synchronsignalausgänge 1 bis 5 als Entsprechung der Videosignalkanäle 1 bis 5. Die Signale der Synchronsignal-Ausgangsbuchse 1 werden der an die Video-Eingangsbuchse 1 angeschlossenen Kamera zugeführt.

Teile und ihre Funktionen

11 Buchsen MONITOR1, 2

Die Videosignale der Kameras, die mit dem Schwenk-/Neigekopf-Steuergerät AW-RP400 oder der an das AW-RP400 angeschlossenen Fernsteuerkonsole AW-CB400 angewählt werden, werden von diesen Buchsen ausgegeben.

Bei den Ausgangssignalen handelt es sich um kabelkompensierte Signale desselben Typs wie die Eingangssignale. Wenn beispielsweise ein Kanal, in den FBAS-Signale eingegeben wurden, gewählt wird, werden diese FBAS-Signale kabelkompensiert und ausgegeben.

12 Buchsen Y/VIDEO IN [1 bis 5]

Analoge Videosignale werden in diese Buchsen eingegeben.

Diese Buchsen werden durch einen 75-Ohm-Widerstand intern terminiert.

Es werden entweder Y-Signale (Komponentensignale oder Y-Signale der Y/C-Signale mit Synchronisierung) oder VIDEO-Signale (FBAS) zugeführt.

13 Buchsen Pr/C IN [1 bis 5]

Analoge Videosignale werden in diese Buchsen eingegeben.

Diese Buchsen werden durch einen 75-Ohm-Widerstand intern terminiert.

Es werden entweder Pr-Signale (R-Y unter den Komponentensignalen) oder C-Signale (C-Signale der Y/C-Signale) zugeführt.

14 Buchsen Pb IN [1 bis 5]

Analoge Videosignale werden in diese Buchsen eingegeben.

Diese Buchsen werden durch einen 75-Ohm-Widerstand intern terminiert.

Es werden Pb-Signale (B-Y unter den Komponentensignalen) zugeführt.

15 Buchsen Y/VIDEO OUT [1 bis 5]

Analoge Videosignale werden von diesen Buchsen ausgegeben. Kabelkompensierte Y- oder VIDEO-Signale (FBAS), die mit den Eingangssignalen übereinstimmen, werden ausgegeben. Y-Signale werden ausgegeben, wenn Komponenten-Y-Signale in die Buchsen Y/VIDEO IN [1 bis 5] eingegeben wurden, und FBAS-Signale werden ausgegeben, wenn FBAS-Signale eingegeben wurden.

16 Buchsen Pr/C OUT [1 bis 5]

Analoge Videosignale werden von diesen Buchsen ausgegeben. Kabelkompensierte Pr- oder C-Signale, die mit den Eingangssignalen übereinstimmen, werden ausgegeben.

Pr-Signale werden ausgegeben, wenn Pr-Signale in die Buchsen Pr/C IN [1 bis 5] eingegeben wurden, und C-Signale werden ausgegeben, wenn C-Signale eingegeben wurden.

17 Buchsen Pb OUT [1 bis 5]

Analoge Videosignale werden von diesen Buchsen ausgegeben. Kabelkompensierte Pb-Signale werden ausgegeben, wenn Pb-Signale in die Buchsen Pb IN [1 bis 5] eingegeben wurden.

18 Netzgerät-Stauraum

Das Netzgerät kann hier verstaut werden, wenn die Umgebungstemperatur am Installationsort des Kabelkompensators unter 30 °C liegt. Entfernen Sie die zwei Schrauben, und nehmen Sie den Stauraumdeckel ab. Ziehen Sie das Netzgerät AW-PS301 heraus, und verstauen Sie es so, dass das Kabel keiner Belastung ausgesetzt wird. Bei Umgebungstemperaturen über 30 °C, sollte das Netzgerät nicht hier verstaut werden, weil es sonst zu einer Funktionsstörung kommen kann.

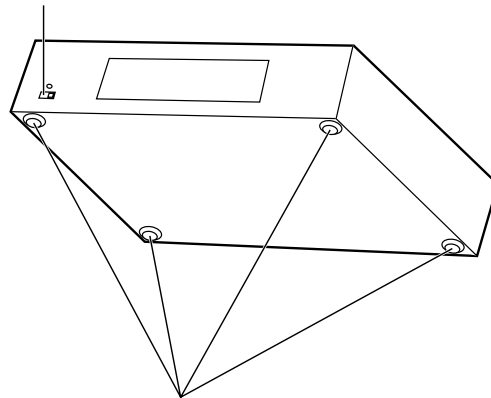
Beispiel für Rackmontage

■ Rackmontageverfahren des AW-RC400

Verwenden Sie die mitgelieferten Rackmontageadapter und Befestigungsschrauben (M4 × 8 mm), um das Gerät in ein Rack einzubauen.

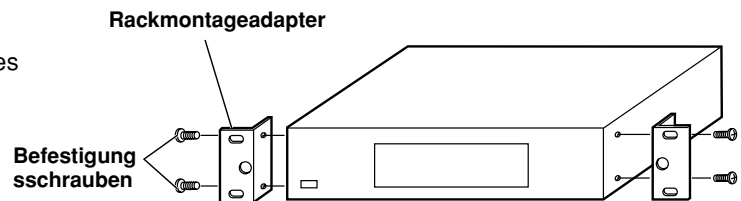
- ① Das Gerät durch Drücken des Schalters POWER ausschalten.
- ② Die vier Füße von der Bodenplatte des Gerätes entfernen.

Schalter POWER



Vier Füße entfernen.

- ③ Die Rackmontageadapter auf beiden Seiten des Gerätes anbringen und mit vier Befestigungsschrauben befestigen.



Technische Daten

Versorgungsspannung: 10,8 V bis 16 V Gleichstrom

Leistungsaufnahme: ca. 9 W

 ist die Sicherheitsinformation.

Eingänge

DC 12V IN:	Für den Anschluss des mitgelieferten Netzgerätes (AW-PS301)
G/L IN:	BNC × 2, automatische Terminierung durch 75-Ohm-Widerstand, Durchschleifausgang, Black-Burst
VIDEO/Y, Pr/C, Pb:	BNC × 3 (5 Sätze), 75-Ohm-Terminierung FBAS 1 Vs-s Y/C Y: 1 Vs-s (mit Synchronisierung) C: 0,286 V (Burst) Komponenten Y: 1 Vs-s (mit Synchronisierung) Pr, Pb: 0,7 Vs-s
MONI SEL IN:	RJ45 Verbindungskabel: 10BASE-T-Geradkabel (UTP-Kategorie 5), max. 50 m

Ausgänge

G/L OUT:	BNC × 5, 75-Ohm-Ausgang, Verbindungskabel 5C-2V, max. 1.000 m
VIDEO/Y, Pr/C, Pb:	BNC × 3 (5 Sätze), 75-Ohm-Ausgang FBAS 1 Vs-s Y/C Y: 1 Vs-s (mit Synchronisierung) C: 0,286 V (Burst) Komponenten Y: 1 Vs-s (mit Synchronisierung) Pr, Pb: 0,7 Vs-s (Kabelkompensationseinstellung erforderlich)
MONITOR OUT1/2:	BNC × 3 (2 Sätze), 75-Ohm-Ausgang

Schalter- und Einstellfunktionen: Strom EIN/AUS; Kabellängen-Einstellung 0/1/2/3/4/5; Synchronsignal-Einstellung SHORT/LONG; Kabelkompensationsbetrag-Einstellung; Videopegel-Einstellung

Betriebstemperatur: 0°C bis +40°C

Lagertemperatur: -20°C bis +60°C

Betriebsluftfeuchtigkeit: 30% bis 90% (keine Kondensation)

Abmessungen (B × H × T): 420 × 250 × 88 mm

Gewicht: ca. 3,7 kg

Gehäuse: AV-Elfenbeinlack (Farbe entspricht Munsell 7.9Y6.8/0.8)

Bei den obigen Gewichts- und Abmessungsangaben handelt es sich um Näherungswerte.

Änderungen der technischen Daten vorbehalten.

Einleitung

- Die Rolleinheit AW-RL400 ermöglicht die Drehung einer Kamera bei Verwendung in Verbindung mit dem Innenraum-Schwenk-/Neigekopf AW-PH400.

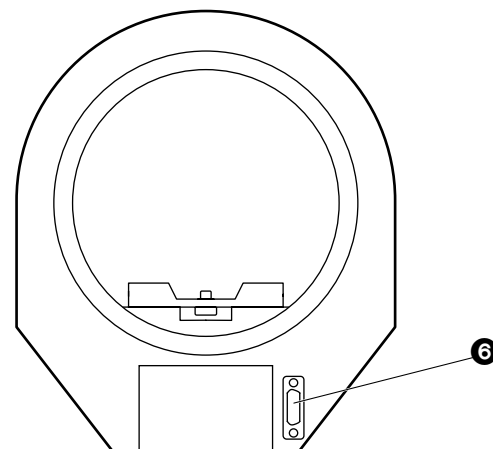
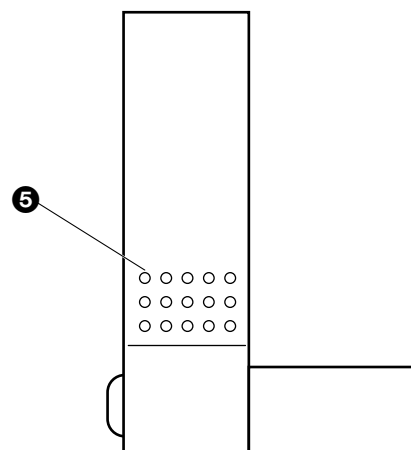
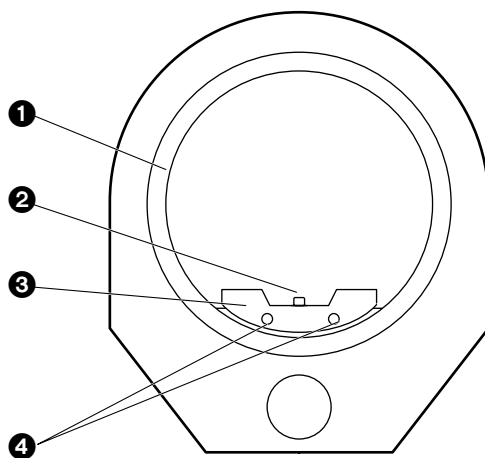
HINWEIS

- Da die Rolleinheit eine Drehung der Kamera bewirkt, muss sichergestellt sein, dass während des Betriebs der Rolleinheit kein Kabel (z.B. Kamera- und Objektivkabel) hängen bleibt.
- Wenn die Rolleinheit am Ende ihrer Lebensdauer ausrangiert werden soll, beauftragen Sie einen Fachbetrieb mit ihrer sachgerechten Entsorgung, um die Umwelt zu schützen.

Zubehör

Schwenk-/Neigekopf-Verbindungskabel.....	1
Befestigungsschrauben (M4 × 8 mm).....	3

Teile und ihre Funktionen



① Drehring

② Kamerabefestigungsschraube (U1/4"-20UNC)

Nach der Montage muss die Kamera mit dieser Schraube einwandfrei gesichert werden.

③ Kameramontageplatte

Befestigen Sie die Kamera mit den Kamerabefestigungsschrauben auf dieser Platte.

④ Kameramontageplatten-Ankerschrauben

Die Kameramontageplatte muss nach der Montage der Kamera mit diesen Schrauben fest mit der Rolleinheit verankert werden.

⑤ Rolleinheit-Ankerschraubenlöcher

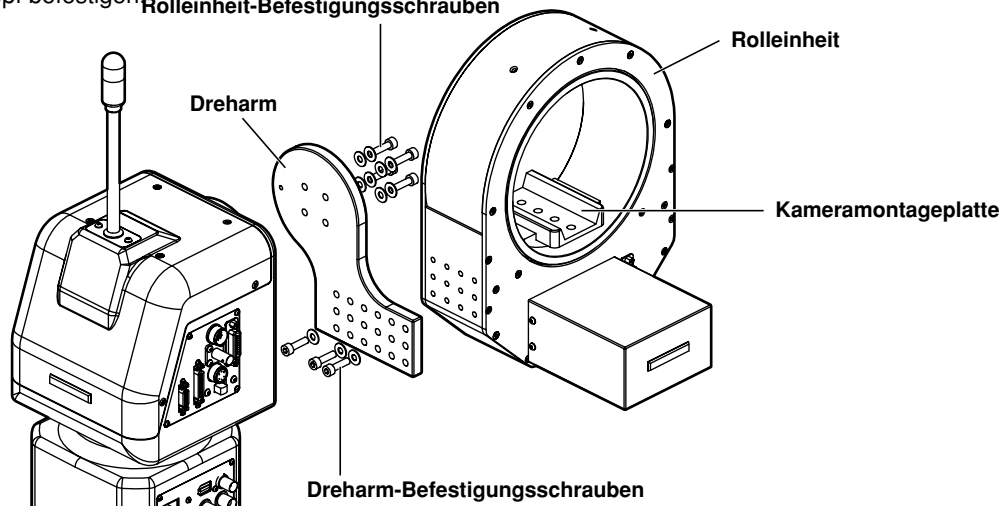
Mit Hilfe dieser Löcher wird die Rolleinheit am Dreharm des Schwenk-/Neigekopfes befestigt.

⑥ Schwenk-/Neigekopf-Anschluss

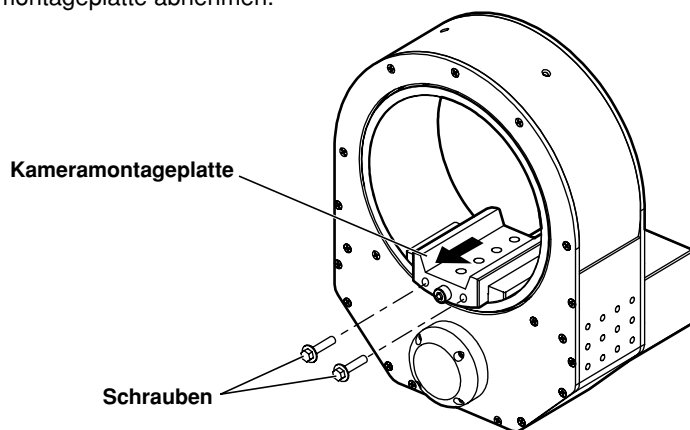
Verbinden Sie diesen Anschluss über das mitgelieferte Schwenk-/Neigekopf-Verbindungskabel mit dem Anschluss OPTION am Schwenk-/Neigekopf.

Installation

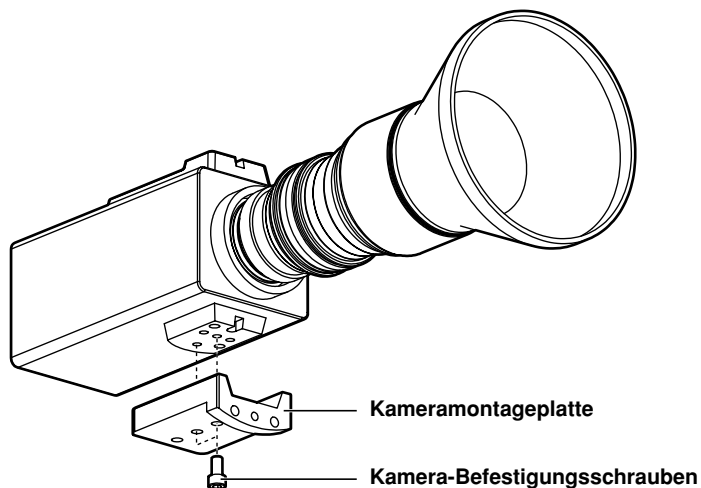
- ① Den Dreharm des Schwenk-/Neigekopfes mit den mitgelieferten drei Schrauben (M4 × 8 mm, mit Unterlegscheiben) an der Rolleinheit befestigen.
- ② Den Dreharm mit den Dreharm-Befestigungsschrauben (M5 × 20 mm, mit Unterlegscheiben, Schwenk-/Neigekopf-Zubehör) am Schwenk-/Neigekopf befestigen



- ③ Die zwei Schrauben der Kameramontageplatte, die bereits an der Rolleinheit befestigt ist, lösen. Dann die Kameramontageplatte abnehmen.

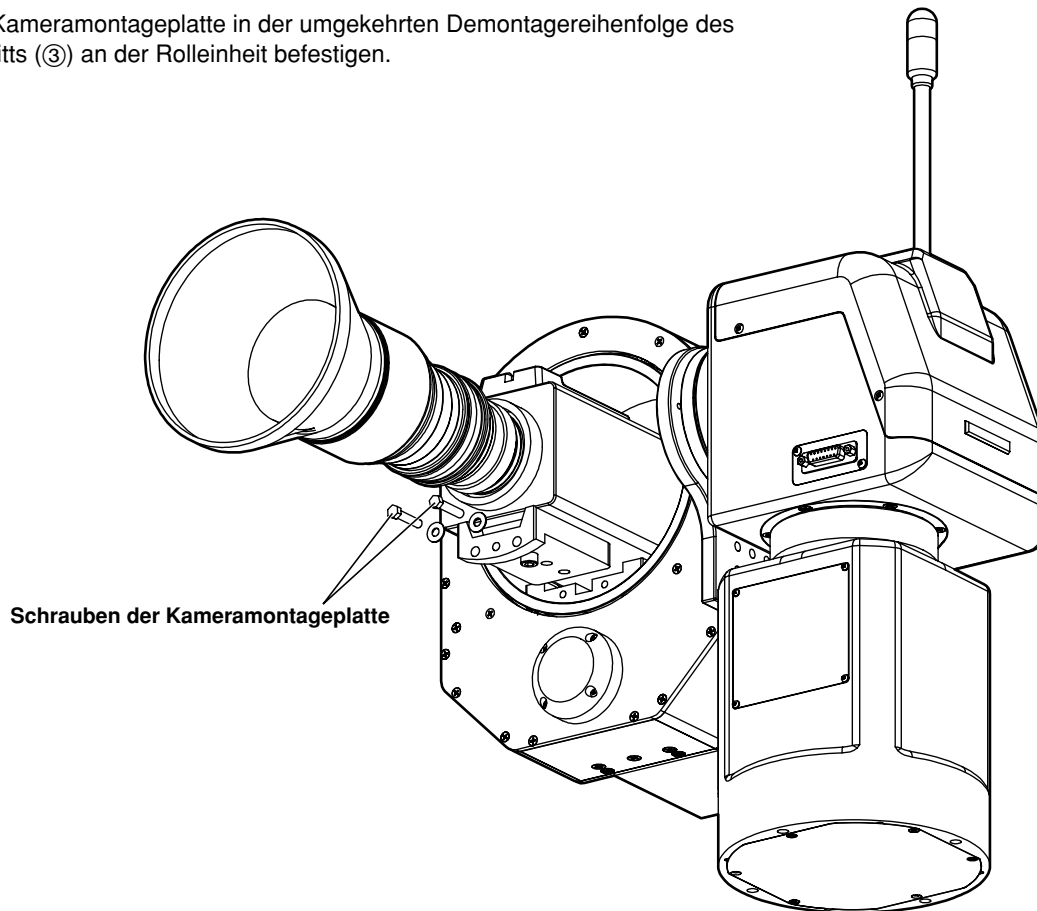


- ④ Die (in Schritt ③ entfernte) Kameramontageplatte mit zwei Kamera-Befestigungsschrauben (Kamera-Zubehör) an der Kamera befestigen.



Installation

- ⑤ Die Kameramontageplatte in der umgekehrten Demontagereihenfolge des Schritts ③ an der Rolleinheit befestigen.



Technische Daten

Versorgungsspannung: 24 V Gleichstrom

Leistungsaufnahme: ca. 24 W

 ist die Sicherheitsinformation.

Schwenk-/Neigekopf-Anschluss: Wird über das mitgelieferte Kabel mit dem Schwenk-/Neigekopf verbunden

Leistung:
 Maximale Belastbarkeit: 4 kg
 Drehbereich: 380° (ca. ±190°)
 Maximale Betriebsgeschwindigkeit: 60°/s
 Wiederholgenauigkeit: Kleiner als ±1°
 Geräuschpegel: Weniger als ???

Betriebstemperatur: 0°C bis +40°C

Lagertemperatur: -20°C bis +60°C

Betriebluftfeuchtigkeit: 30% bis 90% (keine Kondensation)

Abmessungen (B × H × T): 205 × 198 × 260 mm

Gewicht: ca. 3,9 kg

Gehäuse: AV-Elfenbeinlack (Farbe entspricht Munsell 7.9Y6.8/0.8)

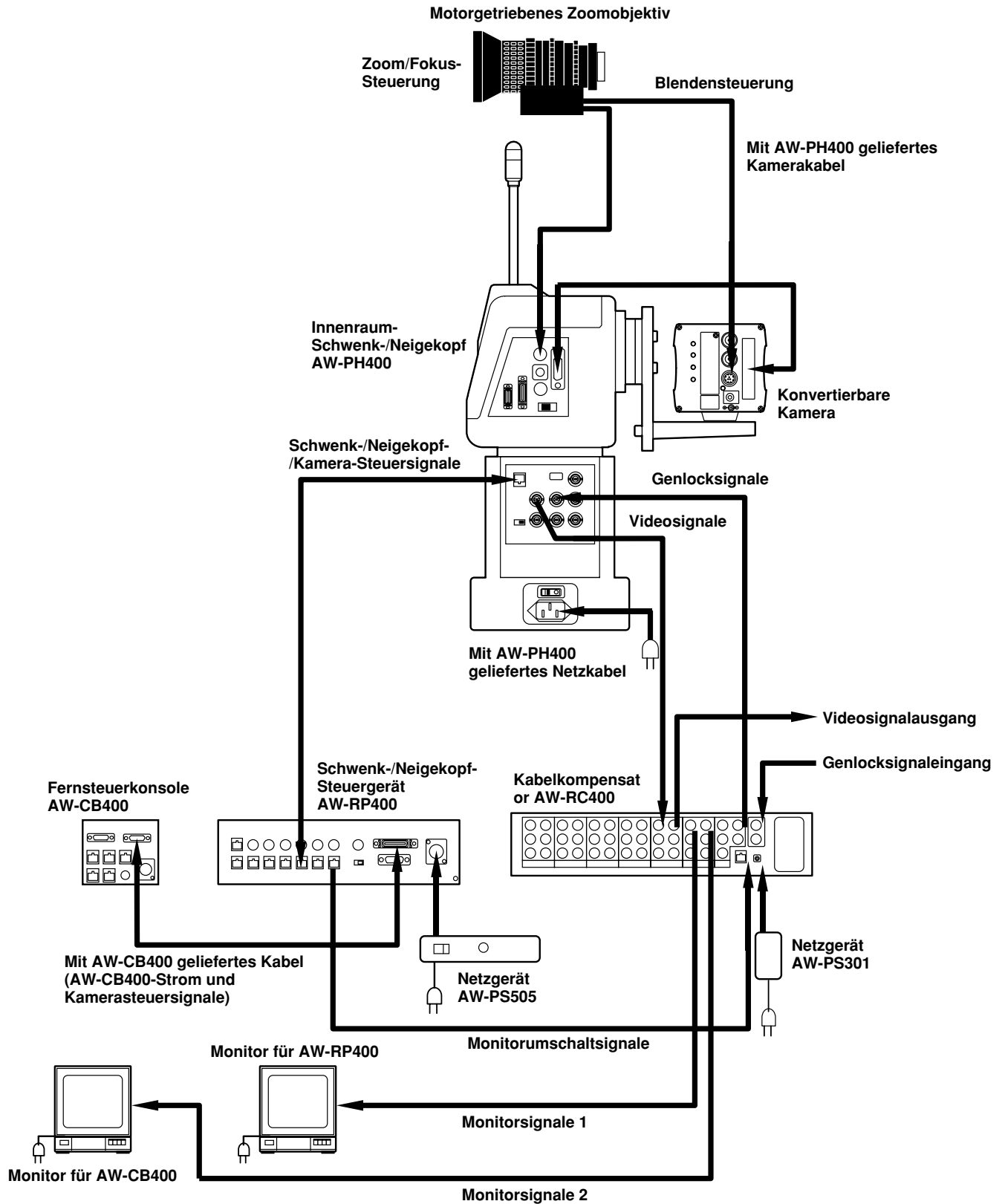
Bei den obigen Gewichts- und Abmessungsangaben handelt es sich um Näherungswerte.
 Änderungen der technischen Daten vorbehalten.

Anschlüsse

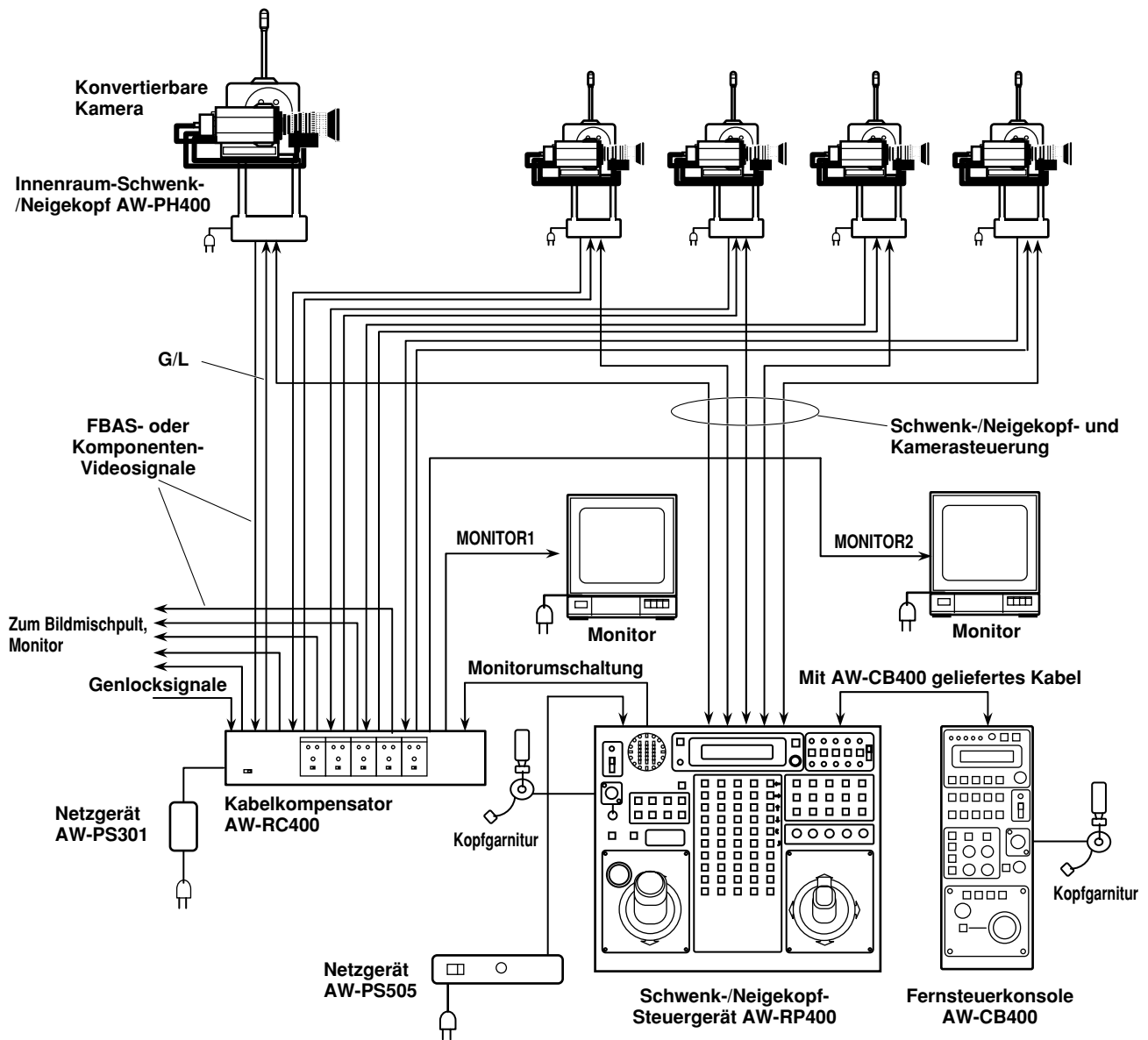
- Schalten Sie alle Geräte aus, bevor Sie die Anschlüsse vornehmen.
- Verwenden Sie das Netzgerät AW-PS505 für das Schwenk-/Neigekopf-Steuergerät AW-RP400.
Verbinden Sie die Buchse DC 12V IN am AW-RP400 über das mit dem AW-PS505 gelieferte Gleichstromkabel mit der Buchse DC 12V OUT am AW-PS505.
- Schließen Sie das mit dem AW-PH400 gelieferte Netzkabel an den Innenraum-Schwenk-/Neigekopf AW-PH400 an.
- Verwenden Sie das mit dem AW-RC400 gelieferte Netzgerät für den Kabelkompensator AW-RC400.
- Verwenden Sie 10BASE-T-Geratkabel, um die Anschlüsse IP/RP an den Schwenk-/Neigeköpfen mit den Anschlüssen CONTROL OUT TO PAN/TILT HEAD (1 bis 5) am AW-RP400 zu verbinden. Die maximale Entfernung beträgt 500 m, wenn Kabel der UTP-Kategorie 5 oder entsprechende Kabel verwendet werden.
- Verwenden Sie die mit dem Schwenk-/Neigekopf gelieferten Kamerakabel, um den AW-PH400 mit der konvertierbaren Kamera zu verbinden.
Im Lieferumfang des Schwenk-/Neigekopfes ist je ein Kabel für FBAS-/Komponentensignale, für IEEE1394-Karten und für WEB-Karten enthalten. Verwenden Sie das für die vorgesehene Anwendung geeignete Kamerakabel.
- Schließen Sie das Blendensteuerkabel des motorgetriebenen Zoomobjektivs an den Anschluss IRIS der Kamera, und das Zoom-/Fokuskabel an den Anschluss LENS I/F des Schwenk-/Neigekopfes an.
- Verwenden Sie entweder die Fernsteuerkonsole AW-CB400 oder die Fernsteuerbox WV-CB700A zur Steuerung der Kamera.
AW-CB400 und WV-CB700A können nicht zusammen verwendet werden.
- Wenn Sie die AW-CB400 verwenden, verbinden Sie den Anschluss CAMERA CONTROL IN FROM RCP am AW-RP400 über das mit der AW-CB400 gelieferte Kabel (10 m) mit dem Anschluss I/F CONNECTOR an der AW-CB400.
Fünf Kameras können über die AW-CB400 gesteuert werden.
Da die AW-CB400 über dieses Kabel vom AW-RP400 mit Strom versorgt wird, erübrigt sich der Anschluss des Netzgerätes an die AW-CB400.
- Wenn Sie die WV-CB700A verwenden, verbinden Sie die Anschlüsse CAMERA CONTROL IN FROM RCB (1 bis 5) am AW-RP400 über die mit der WV-CB700A gelieferten RCB-Kabel (2 m) mit den RCB-Anschlüssen an der WV-CB700A.
Nur eine Kamera kann über die WV-CB700A gesteuert werden. Wenn mehrere Kameras verwendet werden, ist je eine WV-CB700A für jede Kamera erforderlich. Es ist auch notwendig, die Zahl der Anschlüsse CONTROL OUT TO PAN/TILT HEAD, die mit den über die Anschlüsse CAMERA CONTROL IN FROM RCB zu steuernden Kameras verbunden sind, für den Anschluss der WV-CB700A anzugleichen.
- Verbinden Sie den Anschluss MONI SEL OUT am AW-RP400 über ein 10BASE-T-Geratkabel mit dem Anschluss MONI SEL IN am AW-RC400. Die maximale Entfernung beträgt 50 m, wenn ein Kabel der UTP-Kategorie 5 oder ein entsprechendes Kabel verwendet wird.
Durch den Anschluss an diese MONI SEL-Anschlüsse können die Videosignale der mit dem AW-RP400 gewählten Kamera über den Anschluss MONITOR1, und die Videosignale der mit der AW-CB400 gewählten Kamera über den Anschluss MONITOR2 ausgegeben werden.
Bei Verwendung der WV-CB700A kann MONITOR2 nicht umgeschaltet werden.
- Verwenden Sie ein Koaxialkabel, um AW-RC400 und AW-PH400 zu verbinden.
- Führen Sie die Genlocksignale (z.B. von einem Signalgenerator) dem Anschluss G/L IN am AW-RC400 zu, und verbinden Sie die Anschlüsse G/L OUT (1 bis 5) am AW-RC400 mit den Anschlüssen G/L IN an den Schwenk-/Neigeköpfen.
- Wenn Sie FBAS-Signale verwenden, verbinden Sie die Buchsen VIDEO an den Schwenk-/Neigeköpfen und die Buchsen Y/VIDEO (1 bis 5) am AW-RC400.
- Verbinden Sie außerdem die Buchsen Y/VIDEO OUT am AW-RC400 mit Bildmischpulten oder Monitoren.
- Wenn Sie Y/C-Signale verwenden, verbinden Sie die Buchsen Y und Pr/C an den Schwenk-/Neigeköpfen jeweils mit den Buchsen Y/VIDEO und Pr/C am AW-RC400.
Verbinden Sie außerdem die Buchsen Y/VIDEO OUT und Pr/C am AW-RC400 mit Bildmischpulten oder Monitoren.
- Wenn Sie Komponentensignale verwenden, verbinden Sie die Buchsen Y, Pr/C und Pb am Schwenk-/Neigekopf jeweils mit der Buchse Y/VIDEO, Pr/C und Pb am Kabelkompensator.
Verbinden Sie außerdem die Buchsen Y/VIDEO OUT, Pr/C und Pb am AW-RC400 mit Bildmischpulten oder Monitoren.

Anschlüsse

DEUTSCH



Beispiel der Systemkonfiguration



Bedienungsverfahren

■ Einschalten

- ① Wenn Sie ein Steuergerät AW-RP400 verwenden, stellen Sie dessen Schalter EXT CONT [M/S] auf die Position [M].
- ② Schalten Sie das Gerät ein.
Stellen Sie zuerst den Ein-Aus-Schalter am Netzgerät des AW-RP400 und den Netzschalter am AW-PH400, und dann den Schalter OPERATE am AW-RP400 auf ON.

■ Einstellen des Bewegungsbereichs (Begrenzer) des Innenraum-Schwenk-/Neigekopfes AW-PH400

Falls in unmittelbarer Nähe Objekte vorhanden sind, welche die Bewegung des Innenraum-Schwenk-/Neigekopfes AW-PH400 behindern, schränken Sie den Bewegungsbereich (Begrenzer: linke, rechte, obere und untere Begrenzung der Drehung) ein.

Wenn die Rolleinheit AW-RL400 an das Steuergerät AW-RP400 angeschlossen ist, legen Sie auch die Bewegungsgrenzen (für Rechts- und Linksdrehung) der Rolleinheit fest.

Diese Grenzen müssen vor der Benutzung dieser Geräte unbedingt festgelegt werden.

- Der Schwenk-/Neigekopf AW-PH400 wurde werksseitig für die Montage auf einem Ständer oder Pult eingerichtet. Wenn er an der Decke aufgehängt werden soll, muss der Montagerichtungsschalter unbedingt eingestellt werden. Wenn diese Einstellung nicht korrekt durchgeführt wird, werden die Richtungen der Schwenk-/Neigeoperationen umgekehrt, und die Einstellungen des Bewegungsbereichs (Begrenzer) des Schwenk-/Neigekopfes werden nicht richtig gespeichert. Einzelheiten über die Einstellmethoden und die damit verbundenen Aspekte finden Sie unter "Einstellen des Montagerichtungsschalters" in der Bedienungsanleitung des AW-PH400.

Nehmen Sie nun die Einstellungen für das Schwenk-/Neigekopf-Steuergerät AW-RP400 vor.

- ① Wählen Sie mit Hilfe der Tasten CONTROL SELECT den Schwenk-/Neigekopf aus, dessen Bewegungsbereich (Begrenzer) eingestellt werden soll.
- ② Um die linke Grenze einzustellen, drehen Sie den Schwenk-/Neigekopf mit dem Hebel PAN/TILT bis zur gewünschten linken Grenze.
Drücken Sie die Taste PRESET MEMORY [5], während Sie die Taste MENU/LIMIT gedrückt halten.
Sobald die Grenze eingestellt worden ist, leuchtet die Lampe der Taste PRESET MEMORY [45] auf.
Um die Einstellung aufzuheben, drücken Sie die Taste PRESET MEMORY [5] erneut, während Sie die Taste MENU/LIMIT gedrückt halten.
Sobald die Einstellung aufgehoben worden ist, leuchtet die Lampe der Taste PRESET MEMORY [50] auf.
- ③ Um die rechte Grenze einzustellen, drehen Sie den Schwenk-/Neigekopf mit dem Hebel PAN/TILT bis zur gewünschten rechten Grenze.
Drücken Sie die Taste PRESET MEMORY [10], während Sie die Taste MENU/LIMIT gedrückt halten.
Sobald die Grenze eingestellt worden ist, leuchtet die Lampe der Taste PRESET MEMORY [45] auf.
Um die Einstellung aufzuheben, drücken Sie die Taste PRESET MEMORY [10] erneut, während Sie die Taste MENU/LIMIT gedrückt halten.
Sobald die Einstellung aufgehoben worden ist, leuchtet die Lampe der Taste PRESET MEMORY [50] auf.
- ④ Um die obere Grenze einzustellen, drehen Sie den Schwenk-/Neigekopf mit dem Hebel PAN/TILT bis zur gewünschten oberen Grenze.
Drücken Sie die Taste PRESET MEMORY [15], während Sie die Taste MENU/LIMIT gedrückt halten.
Sobald die Grenze eingestellt worden ist, leuchtet die Lampe der Taste PRESET MEMORY [45] auf.
Um die Einstellung aufzuheben, drücken Sie die Taste PRESET MEMORY [15] erneut, während Sie die Taste MENU/LIMIT gedrückt halten.
Sobald die Einstellung aufgehoben worden ist, leuchtet die Lampe der Taste PRESET MEMORY [50] auf.
- ⑤ Um die untere Grenze einzustellen, drehen Sie den Schwenk-/Neigekopf mit dem Hebel PAN/TILT bis zur gewünschten unteren Grenze.
Drücken Sie die Taste PRESET MEMORY [20], während Sie die Taste MENU/LIMIT gedrückt halten.
Sobald die Grenze eingestellt worden ist, leuchtet die Lampe der Taste PRESET MEMORY [45] auf.
Um die Einstellung aufzuheben, drücken Sie die Taste PRESET MEMORY [20] erneut, während Sie die Taste MENU/LIMIT gedrückt halten.
Sobald die Einstellung aufgehoben worden ist, leuchtet die Lampe der Taste PRESET MEMORY [50] auf.

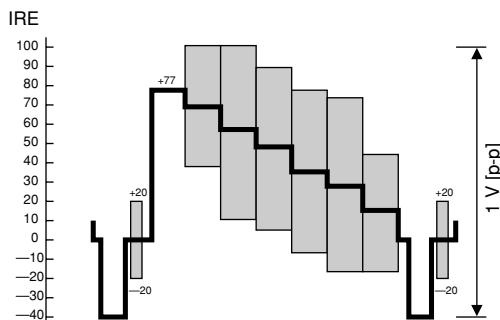
Bedienungsverfahren

- ⑥ Um die Linksdrehungsgrenze der Rolleinheit einzustellen, drehen Sie die Rolleinheit mit dem Schalter ROTATION bis zur gewünschten Linksdrehungsgrenze.
Drücken Sie die Taste PRESET MEMORY [25], während Sie die Taste MENU/LIMIT gedrückt halten.
Sobald die Grenze eingestellt worden ist, leuchtet die Lampe der Taste PRESET MEMORY [45] auf.
Um die Einstellung aufzuheben, drücken Sie die Taste PRESET MEMORY [25] erneut, während Sie die Taste MENU/LIMIT gedrückt halten.
Sobald die Einstellung aufgehoben worden ist, leuchtet die Lampe der Taste PRESET MEMORY [50] auf.
- ⑦ Um die Rechtsdrehungsgrenze der Rolleinheit einzustellen, drehen Sie die Rolleinheit mit dem Schalter ROTATION bis zur gewünschten Rechtsdrehungsgrenze.
Drücken Sie die Taste PRESET MEMORY [30], während Sie die Taste MENU/LIMIT gedrückt halten.
Sobald die Grenze eingestellt worden ist, leuchtet die Lampe der Taste PRESET MEMORY [45] auf.
Um die Einstellung aufzuheben, drücken Sie die Taste PRESET MEMORY [30] erneut, während Sie die Taste MENU/LIMIT gedrückt halten.
Sobald die Einstellung aufgehoben worden ist, leuchtet die Lampe der Taste PRESET MEMORY [50] auf.

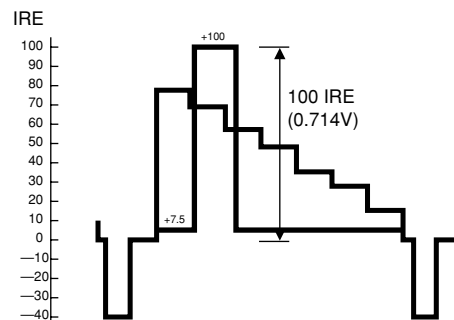
■ Kabelkompensation für die Kameras

Nehmen Sie diese Einstellungen mit dem Kabelkompensator AW-RC400 vor.

- ① Schließen Sie ein Oszilloskop an die Video-Ausgangsbuchse des AW-RC400 an, und wandeln Sie die der entsprechenden Video-Eingangsbuchse zugeführten Signale in Farbbalkensignale um.
- ② Stellen Sie das Oszilloskop auf die H-Rate ein (siehe nachstehende Abbildung). Stellen Sie dann, während Sie die steigenden und fallenden Abschnitte der Wellenformen überwachen, den Kabellängen-Einstellschalter auf den Punkt ein, an dem Unter- und Überschwingweite auf dem Minimum gehalten werden.
Lassen Sie dabei die Regler Y LEVEL und F RESPONSE in ihrer Mittenstellung.
- ③ Nehmen Sie die Einstellung durch Drehen des Reglers F RESPONSE so vor, dass die Unter- und Überschwingweite der Wellenformen in den steigenden und fallenden Abschnitten auf dem Minimum gehalten werden. Falls der Einstellbereich des Reglers überschritten wird, prüfen Sie, ob eine andere Einstellung für den Kabellängen-Einstellschalter gewählt werden kann.
- ④ Stellen Sie als nächstes mit dem Regler Y LEVEL den vorgeschriebenen Videopegel ein.
- ⑤ Verwenden Sie im Falle von Komponentensignalen den Kabellängen-Einstellschalter sowie die Regler F RESPONSE und Y LEVEL, um die Kabelkompensation so einzustellen, dass die vorgeschriebenen Videosignale erhalten werden, während Sie wie bei den FBAS-Signalen das Y-Signal auf dem Oszilloskop überwachen.
- ⑥ Betrachten Sie als nächstes die Signale Y, Pr und Pb in ihrer Gesamtheit, und nehmen Sie eine Nachjustierung mit den Reglern F RESPONSE und Y LEVEL vor, so dass die optimale Kabelkompensation erzielt wird.
- ⑦ Stellen Sie auch im Falle von Y/C-Signalen zuerst das Y-Signal so ein, wie bei den Komponentensignalen. Betrachten Sie dann die Y- und C-Signale, und nehmen Sie die Einstellung so vor, dass die optimale Kabelkompensation erzielt wird.



Oszilloskop (FBAS-Signale)



Oszilloskop (Komponentensignale)

Bedienungsverfahren

■ Genlock-Einstellungen für die jeweiligen Kameras

Einzelheiten über die Genlock-Einstellungen entnehmen Sie bitte der Bedienungsanleitung der Fernsteuerkonsole AW-CB400 oder der Fernsteuerbox WV-CB700A.

■ Video-Einstellungen für die Kameras

Stellen Sie Gesamtschwarzwert (Schwarzpegel), Weißabgleich, Schwarzabgleich usw. der Kameras ein. Einzelheiten über die Kamera-Einstellungen entnehmen Sie bitte der Bedienungsanleitung der Fernsteuerkonsole AW-CB400 oder der Fernsteuerbox WV-CB700A.

■ Ablaufspeicher-Einstellungen

Nehmen Sie diese Einstellungen am Schwenk-/Neigekopf-Steuergerät AW-RP400 vor.

Das Steuergerät AW-RP400 besitzt eine Ablaufspeicherfunktion zur Registrierung der Bahnen, auf denen sich die Schwenk-/Neigekopfsysteme bewegen.

Mit Hilfe dieser Funktion können die Daten unter den Tasten TRACING MEMORY 1 bis 10 registriert werden.

Einstellen der Aufzeichnungszeit und Anzahl der Speicherplätze

- ① Wählen Sie das erste Schwenk-/Neigekopfsystem mit einer der Tasten CONTROL SELECT aus.
- ② Stellen Sie die Aufzeichnungszeit im Ablaufspeicher und die Anzahl der Speicherplätze mit Hilfe des Menüpostens TR MEMORY LENGTH ein.

MEMORY LENGTH	Einstellung
60s	60 sek. × 10 Speicherplätze (Tasten 1 bis 10)
120s	120 sek. × Speicherplätze (Tasten 1 bis 5)
300s	300 sek. × Speicherplätze (Tasten 1, 2)
600s	600 sek. × 1 Speicherplatz (Taste 1)

- Eine Einstellung von TR MEMORY LENGTH ist nicht möglich, wenn bereits Daten im Ablaufspeicher registriert worden sind.
Bevor Sie eine andere Einstellung wählen können, müssen Sie die im Ablaufspeicher registrierten Daten löschen und dann die Einstellung durchführen.
 - Die Aufzeichnungszeit und die Anzahl der Speicherplätze können nicht für jede Taste, unter denen die Daten registriert wurden, geändert werden.
- ③ Wählen Sie die anderen Schwenk-/Neigekopfsysteme mit den anderen Tasten CONTROL SELECT aus, und stellen Sie die Aufzeichnungszeit und die Anzahl der Speicherplätze für jedes der Schwenk-/Neigekopfsysteme ein.

Registrieren der Ablaufspeicherdaten

- ① Wählen Sie das Schwenk-/Neigekopfsystem mit einer der Tasten CONTROL SELECT aus.
Wenn Sie die Fernsteuerkonsole AW-CB400 für die Kamerasteuerung benutzen, wählen Sie die gleiche Nummer für die AW-CB400.
- ② Stellen Sie die Zustände des Schwenk-/Neigekopfes und der Kamera am Startpunkt im Ablaufspeicher ein.
 - Legen Sie Bildausschnitt und Fokus mit Hilfe der Bedienungselemente PAN, TILT, ZOOM und FOCUS fest.
 - Wählen Sie automatische oder manuelle Blendeneinstellung bzw. Fixierung der manuellen Einstellung mit der Taste IRIS [AUTO/MANUAL/LOCK].
 - Wenn Sie manuelle Blendeneinstellung wählen, nehmen Sie die Blendeneinstellung mit dem Knopf IRIS vor.
 - Stellen Sie Schwarzpegel, Schwarzabgleich und Weißabgleich mit dem Kamerasteuergerät ein.

Bedienungsverfahren

- ③ Drücken Sie die Taste START POINT.
Nun leuchten die Lampen der Tasten TRACING MEMORY 1 bis 10, unter denen Daten registriert werden können, auf.
 - Die Lampen der Tasten mit Nummern, welche die Anzahl der mit dem Menüposten TR MEMORY LENGTH festgelegten Speicherplätze überschreiten, leuchten nicht auf.
 - Falls die Lampe einer Taste mit einer Nummer innerhalb der Anzahl der Speicherplätze, in denen Daten registriert werden können, erloschen ist, bedeutet das, dass bereits Daten unter dieser Taste registriert sind. Um Daten unter einer solchen Taste zu registrieren, müssen zuerst die vorhandenen Daten in ihrem Speicher gelöscht werden.
- ④ Drücken Sie die Taste, unter der Sie die Daten registrieren wollen. Nur die Lampe der gedrückten Taste leuchtet auf, und die gegenwärtige Position des Schwenk-/Neigekopfes und die Kamera-Einstellungen werden als Startposition des Ablaufspeichers registriert.
 - Wenn nun der Hebel PAN/TILT betätigt wird, wird die Registrierung der Ablaufspeicherdaten annulliert.
- ⑤ Drücken Sie die Taste START.
Die Lampe der Taste START blinkt, und der Aufzeichnungs-Bereitschaftsmodus wird hergestellt.
 - Wenn nun die Taste STOP betätigt wird, wird die Registrierung der Ablaufspeicherdaten annulliert.
- ⑥ Da die Ablaufspeicheraufzeichnung an dem Punkt der Betätigung des Bedienungselements PAN, TILT, ZOOM oder FOCUS beginnt, fahren Sie mit der Registrierung der Daten fort.
Die Lampe der Taste START hört nun auf zu blinken, und die Lampe der Taste STOP beginnt zu blinken. Als allgemeine Regel gilt: Die Zeit, die gespeichert werden kann, beträgt etwa 3 Sekunden für jede der Tasten PRESET MEMORY Nr. 1 bis 10 und etwa 30 Sekunden für jede der Tasten PRESET MEMORY Nr. 11 bis 30.
Die Tastenlampen erlöschen nacheinander ab Taste Nr. 10 alle 3 Sekunden, um die Restzeit für die Speicheraufzeichnung anzuzeigen. Wenn die Lampen aller Tasten erloschen sind, ertönt der Summer, und die Registrierung der Ablaufspeicherdaten ist beendet.
 - Durch Drücken der Taste STOP kann die Aufzeichnung der Ablaufspeicherdaten jederzeit abgebrochen werden. Die Operationen, die bis zum Moment des Aufzeichnungsabbruchs durchgeführt wurden, werden als Ablaufspeicherdaten registriert.
 - Der Summer ertönt bei Beginn, Abbruch und Beendigung der Ablaufspeicherdatenaufzeichnung.
- ⑦ Registrieren Sie die Daten erforderlichenfalls unter den Tasten TRACING MEMORY Nr. 1 bis 10.
- ⑧ Wählen Sie ein anderes Schwenk-/Neigekopfsystem mit der Taste CONTROL SELECT aus, und nehmen Sie die Ablaufspeicherdaten-Einstellungen für das betreffende Schwenk-/Neigekopfsystem vor. Wiederholen Sie diesen Schritt für alle Schwenk-/Neigekopfsysteme.

Die Ablaufspeicherdaten werden in den Schwenk-/Neigeköpfen und den Steuergeräten aufgezeichnet. Wenn ein Schwenk-/Neigekopf oder Steuergerät ausgewechselt wird, müssen Sie die Daten im Ablaufspeicher neu registrieren.

Wiedergeben der Ablaufspeicherdaten

- ① Wählen Sie das Schwenk-/Neigekopfsystem mit einer der Tasten CONTROL SELECT aus.
- ② Drücken Sie die Taste, unter der die wiederzugebenden Ablaufspeicherdaten registriert sind.
Das Schwenk-/Neigekopfsystem wird auf die im Ablaufspeicher registrierte Startposition eingestellt.
- ③ Nachdem das Schwenk-/Neigekopfsystem auf die im Ablaufspeicher registrierte Startposition eingestellt und gestoppt worden ist, kann die Operation der im Ablaufspeicher registrierten Daten gestartet werden, indem die Taste gedrückt wird, die dem Ablaufspeicher entspricht, in dem die Daten registriert sind.
 - Durch Drücken der Taste STOP kann die Wiedergabe der Ablaufspeicherdaten jederzeit abgebrochen werden. Die Wiedergabe wird ebenfalls abgebrochen, wenn eines der Bedienungselemente PAN, TILT, ZOOM oder FOCUS betätigt wird.
 - Der Summer ertönt bei Beginn, Abbruch und Beendigung der Ablaufspeicherdatenwiedergabe.

Bedienungsverfahren

Ändern der Ablaufspeicherdaten

- ① Wählen Sie das Schwenk-/Neigekopfsystem mit einer der Tasten CONTROL SELECT aus.
Wenn Sie die Fernsteuerkonsole AW-CB400 für die Kamerasteuerung benutzen, wählen Sie die gleiche Nummer für die AW-CB400.
- ② Drücken Sie die Taste, die dem Ablaufspeicher entspricht, dessen registrierte Daten geändert werden sollen, und rufen Sie die Startposition auf.
- ③ Drücken Sie die Taste RESTORE.
Die Lampe der Taste RESTORE blinkt, und die Einstellung der Startposition im Ablaufspeicher kann geändert werden.
 - Wenn an dieser Stelle die Taste STOP gedrückt wird, wird der Änderungsmodus aufgehoben.
- ④ Drücken Sie die Taste RESTORE erneut.
Das Schwenk-/Neigekopfsystem beginnt mit der Ausführung der im Ablaufspeicher registrierten Operation, und die Lampe der Taste RESTORE wechselt von Blinken auf Leuchten. Wie bei der Registrierung der Daten dienen die Lampen der Tasten PRESET MEMORY 1 bis 30 als allgemeine Zeitanzeige.
- ⑤ Ändern Sie die Ablaufspeicheroperation.
 - Es ist nicht möglich, nur Teile der Ablaufspeicheroperation zu ändern. Sie müssen die ganze Operation ab dem Punkt, an dem die Änderung vorgenommen wurde, bis zum Ende neu registrieren.
- ⑥ Wenn die Lampen aller Tasten PRESET MEMORY erloschen sind, ertönt der Summer, und die Änderung der Ablaufspeicherdaten ist beendet.

Löschen der Ablaufspeicherdaten

- ① Wählen Sie das Schwenk-/Neigekopfsystem mit einer der Tasten CONTROL SELECT aus.
- ② Drücken Sie die Taste RESET.
Die Lampen der Tasten (TRACING MEMORY 1 bis 10), die den Ablaufspeicherplätzen entsprechen, in denen Daten registriert worden sind, leuchten nun auf.
- ③ Drücken Sie die Taste mit der Nummer, deren Daten gelöscht werden sollen.
Die Lampe der Taste erlischt, und die Ablaufspeicherdaten werden gelöscht.

■ Einstellen der Vorwahlspeicherdaten

Nehmen Sie diese Einstellungen am Schwenk-/Neigekopf-Steuergerät AW-RP400 vor.

Das Steuergerät AW-RP400 besitzt eine Vorwahlspeicherfunktion zur Registrierung der Positionen und Einstellungen, die für die Aufnahme von den Schwenk-/Neigekopfsystemen verwendet werden. Die Vorwahlspeicherdaten werden unter den Tasten PRESET MEMORY 1 bis 50 registriert.

Registrieren der Vorwahlspeicherdaten

- ① Wählen Sie das Schwenk-/Neigekopfsystem mit einer der Tasten CONTROL SELECT aus.
- ② Stellen Sie die Zustände der Schwenk-/Neigeköpfe und Kameras ein.
 - Legen Sie Bildausschnitt und Fokus mit Hilfe der Bedienungselemente PAN, TILT, ZOOM und FOCUS fest.
 - Wählen Sie automatische oder manuelle Blendeneinstellung mit der Taste IRIS [AUTO/MANUAL/LOCK].
 - Wenn Sie manuelle Blendeneinstellung wählen, nehmen Sie die Blendeneinstellung mit dem Knopf IRIS vor.
 - Stellen Sie Schwarzpegel, Schwarzabgleich und Weißabgleich mit dem Kamerasteuergerät ein.
- ③ Während Sie die Taste MEMORY gedrückt halten, drücken Sie die Taste (PRESET MEMORY 1 bis 50), unter der die Vorwahlspeicherdaten registriert werden sollen.
- ④ Registrieren Sie erforderlichenfalls weitere Aufnahmepositionen und Einstellungen unter den Tasten PRESET MEMORY 1 bis 50 als Vorwahlspeicherdaten.
- ⑤ Wählen Sie ein anderes Schwenk-/Neigekopfsystem mit der Taste CONTROL SELECT aus, und nehmen Sie die Vorwahlspeicherdaten-Einstellungen für das betreffende Schwenk-/Neigekopfsystem vor. Wiederholen Sie diesen Schritt für alle Schwenk-/Neigekopfsysteme.

Bedienungsverfahren

Wiedergeben der Vorwahlspeicherdaten

- ① Wählen Sie das Schwenk-/Neigekopfsystem mit einer der Tasten CONTROL SELECT aus.
- ② Wenn die Taste, die den registrierten Vorwahlspeicherdaten entspricht, gedrückt wird, wird das Schwenk-/Neigekopfsystem in den registrierten Zustand versetzt.

Consignes de sécurité

■ **Ne pas dévisser le couvercle.**

Pour réduire tout risque d'électrocution, ne pas retirer le couvercle. Il ne se trouve à l'intérieur aucune pièce qui puisse être réparée par l'utilisateur.
Confier toute réparation à un personnel qualifié.

AVERTISSEMENT:

POUR RÉDUIRE TOUT RISQUE DE FEU OU DE CHOC ÉLECTRIQUE, ÉLOIGNER L'APPAREIL DES LIQUIDES - UTILISER ET RANGER UNIQUEMENT DANS UN ENDROIT NE RISQUANT PAS DE RECEVOIR DES GOUTTES OU D'ÊTRE ASPERGÉ DE LIQUIDES, ET NE PAS METTRE DE RÉCIPIENT RENFERMANT DES LIQUIDES SUR LE DESSUS DE L'APPAREIL.

ATTENTION:

POUR ÉVITER TOUT RISQUE D'INCENDIE, DE CHOCS ÉLECTRIQUES OU D'INTERFÉRENCES, N'UTILISER QUE LES ACCESSOIRES RECOMMANDÉS.

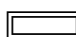
 Informations concernant la sécurité.

Table des matières

Consignes de sécurité	1
Précautions d'utilisation	3

AW-PH400 Tête panoramique intérieure 4

Introduction	4
Accessoires	4
Précautions d'utilisation	4
Précautions d'installation	5
Les commandes et leurs fonctions	6
Installation	10
■ Montage de la tête panoramique	10
■ Réglage du commutateur de sens de montage	11
■ Réglage des commutateurs de carte de circuits	12
■ Modification de la position de montage du panneau de connecteurs du pied	13
■ Installation de la tête panoramique	14
■ Montage de la caméra	15
■ Fixation de la chaîne	16
Remplacement des consommables	17
Fiche technique	18

AW-RP400 Contrôleur de tête panoramique 19

Introduction	19
Accessoires	19
Les commandes et leurs fonctions	20
■ Panneau avant	20
■ Panneau arrière	23
Réglage des menus	25
■ Méthode de fonctionnement	25
■ Liste des rubriques et des paramètres	26
Exemple de montage en rack	30
■ Montage de l'AW-RP400 dans un rack	30
■ Modification du sens de montage du panneau des connecteurs	31
■ Remplacement du commutateur de zoom	32
Remplacement des consommables	33
Fiche technique	34

AW-RC400 Compensateur de câble 35

Introduction	35
Accessoires	35
Les commandes et leurs fonctions	36
Exemple de montage en rack	38
■ Montage de l'AW-RC400 dans un rack	38
Fiche technique	39

AW-RL400 Module de rotation 41

Introduction	41
Accessoires	41
Les commandes et leurs fonctions	42
Installation	43
Fiche technique	44
Raccordements	45
Exemple de configuration du système	47
Procédures de fonctionnement	48

Précautions d'utilisation

- **Manipuler le ROP avec précaution.**

Ne pas faire tomber le ROP ni le soumettre à un choc puissant car cela pourrait provoquer un dysfonctionnement ou des accidents.

- **Utiliser le ROP à une température ambiante comprise entre -10°C et $+45^{\circ}\text{C}$.**

L'utilisation du ROP dans des endroits où la température tombe au-dessous de -10°C ou au-dessus de 45°C peut affecter ses pièces internes.

- **Couper l'alimentation avant de brancher ou de débrancher les câbles.**

Il faut absolument couper l'alimentation avant de brancher ou de débrancher les câbles.

- **Ne pas utiliser les appareils à l'extérieur.**

- **Entretien**

Essuyer le ROP avec un chiffon sec. Pour enlever la saleté rebelle, tremper un chiffon dans une solution diluée de détergent de cuisine, bien le tordre, et essuyer délicatement le ROP.

<Attention>

- Ne pas utiliser de benzine, de diluants pour peinture ni aucun autre liquide volatil.
- Si l'on utilise un chiffon de nettoyage chimique, lire attentivement ses précautions d'utilisation.

Introduction

- La tête panoramique autonome compacte est capable de pivoter de 190 degrés en sens vertical et de 400 degrés en sens horizontal.
- Les opérations s'effectuant à grande vitesse permettent à l'appareil de pivoter jusqu'à 90 degrés par seconde.
- Il est possible de monter un matériel d'un poids total de 8 kg sur l'appareil.
- La rotation de la caméra peut également être assurée par le module de rotation AW-RL400 disponible en option.
- Il est possible d'enregistrer un maximum de 50 positions et réglages de prise de vue comme données de mémoire de pré-réglage.

REMARQUE

- Il n'est pas possible de commander l'AW-PH400 avec les modèles de contrôleur AW-RP301, AW-RP305, AW-RP501, AW-RP505, AW-RP605 ou AW-RP605A.
- Afin de protéger l'environnement lors de la mise au rebut de la tête panoramique à la fin de sa durée de vie, confier l'opération à un service spécialisé.

Accessoires

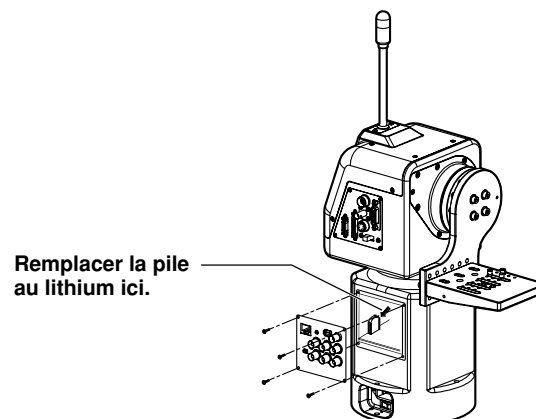
Bras rotatif	1
Socle de montage de caméra.....	1
Vis de montage de bras rotatif et de socle de caméra (avec rondelles plates) M5 × 20 mm.....	7
Câble de caméra.....	1
Lampe de signalisation	1
Vis de montage de chaîne (avec rondelles plates, rondelles à ressort) M4 × 8 mm.....	1
M4 × 6 mm.....	1
Clé hexagonale.....	1
Câble secteur.....	1

Précautions d'utilisation

L'AW-PH400 utilise une pile au lithium-bioxyde de manganèse (CR2032).

Avant de mettre la tête panoramique ou ses cartes de circuits au rebut, il faudra impérativement retirer la pile. Bien mettre la pile retirée au rebut en respectant la loi et les règlements nationaux applicables. Ne pas jeter la pile aux ordures ménagères.

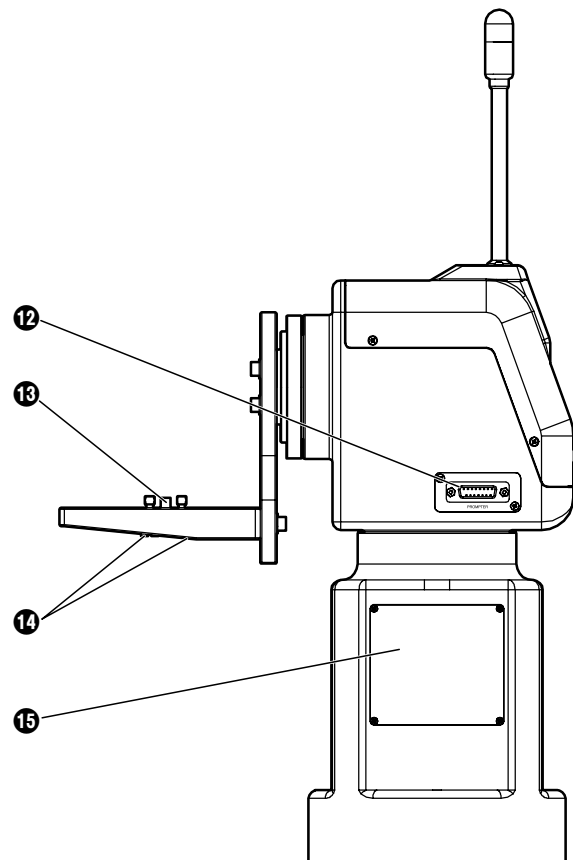
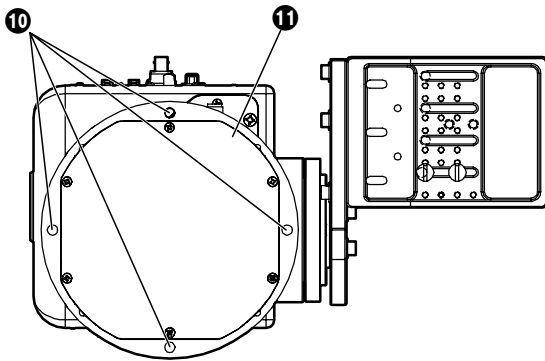
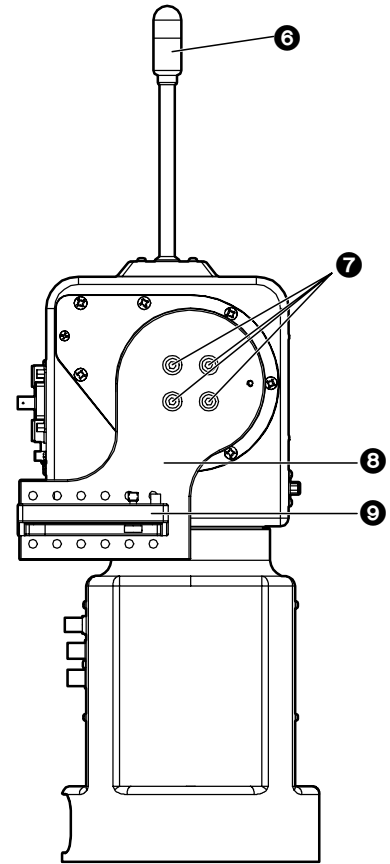
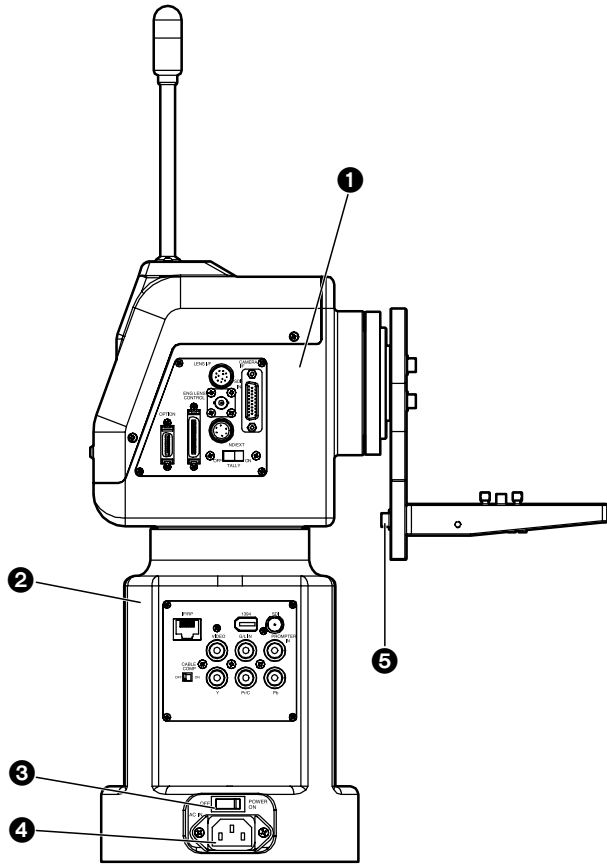
Pour le retrait de la pile, voir la section sur le remplacement de la pile "Remplacement des consommables" (page 17).



Précautions d'installation

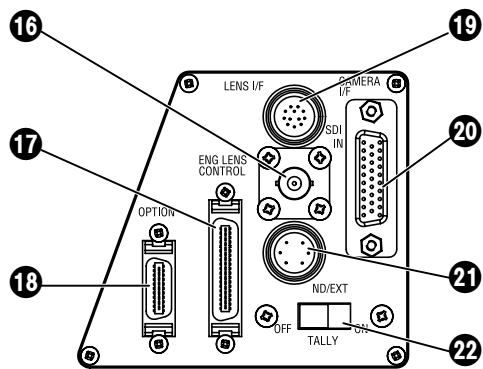
- Ne pas installer l'appareil sur l'un de ses côtés.
- Éviter d'installer l'appareil dans une cuisine ou dans tout autre endroit rempli de vapeur et de fumées grasses.
- Monter la caméra sur la tête panoramique uniquement après avoir terminé son installation.
- La capacité de support de charge maximale de l'appareil est de 8 kg.
Ne pas l'utiliser si la charge à supporter dépasse 8 kg.
- Ne pas utiliser d'objectif susceptible d'abîmer ou de déséquilibrer l'appareil.
Même si la charge à supporter est inférieure à 8 kg, ne pas l'utiliser si l'appareil est déséquilibré lorsqu'on monte l'objectif dessus.
- Ne pas installer l'appareil à l'extérieur ni dans des endroits où la température est supérieure à 45°C ou inférieure à 0°C.
Utiliser l'appareil à des humidités inférieures à 90%.
- Les vis de montage n'étant pas fournies avec l'appareil, il faudra se les procurer séparément.
- Ne pas tenir ni soulever l'appareil par sa pièce mobile. Cela pourrait provoquer un dysfonctionnement.
- Ne pas tourner le bras rotatif de l'appareil à la main. Cela pourrait provoquer un dysfonctionnement.
- Ne pas faire tomber l'appareil ni le soumettre à un choc puissant car cela pourrait provoquer un dysfonctionnement.
- Laisser un espace d'au moins un mètre tout autour du moniteur lorsqu'on installe l'appareil.
- Lors du montage de la caméra sur l'appareil, prendre toutes les précautions nécessaires pour s'assurer qu'elle ne se détachera pas de l'appareil et qu'elle ne tombera pas par terre.
- Installer l'appareil de façon que le matériel fixé dessus ainsi que ses câbles ne viennent rien toucher rien lorsque la tête panoramique pivote, et régler les limites de déplacement.

Les commandes et leurs fonctions

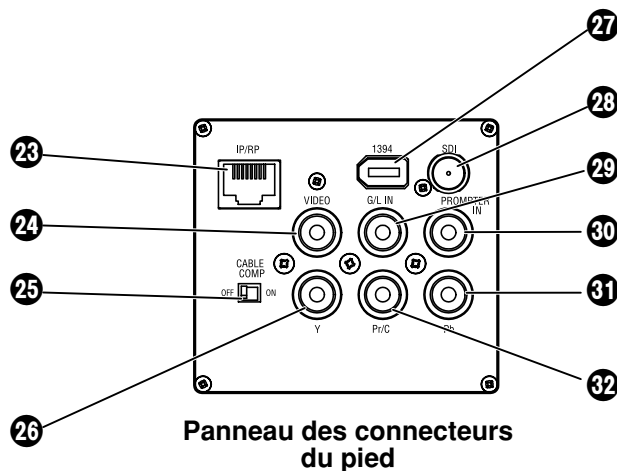


FRANÇAIS

Les commandes et leurs fonctions



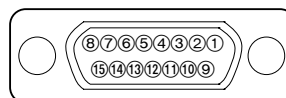
Panneau des connecteurs de la tête rotative



Panneau des connecteurs du pied

- 1 Tête rotative**
Elle tourne en sens horizontal.
- 2 Pied**
- 3 Interrupteur de mise sous/hors tension (POWER ON/OFF)**
Sur la position ON, l'appareil est sous tension ; sur OFF, l'appareil est hors tension.
- 4 Entrée secteur 100 [AC IN] (entrée secteur à 3 points)**
Raccorder le câble d'alimentation accessoire à cette entrée.
- 5 Vis de montage du socle de montage de caméra**
Vis à tête creuse à six pans M5 × 20 mm, rondelles plates M5 (3 de chaque sont fournies en accessoires)
Ces pièces permettent de fixer le socle de montage de caméra sur le bras rotatif.
- 6 Lampe de signalisation (accessoire)**
Elle s'allume en rouge avec les signaux sélectionnés.
- 7 Vis de montage de bras rotatif**
Vis à tête creuse à six pans M5 × 20 mm, rondelles plates M5 (4 de chaque sont fournies en accessoires)
Ces pièces permettent de fixer le bras rotatif sur la tête rotative.
- 8 Bras rotatif**
Il pivote en sens vertical.
- 9 Socle de montage de caméra**
Monter la caméra convertible sur ce socle.

- 10 Orifices de montage de la tête panoramique**
Utiliser ces quatre orifices pour installer la tête panoramique.
- 11 Panneau inférieur**
- 12 Connecteur PROMPTER**
Le prompteur se raccorde à ce connecteur.
Le courant maximum qu'il est possible d'acheminer par la prise DC 12V OUT est de 2 A.
Quand le prompteur est raccordé, la vitesse de la tête panoramique tombe à environ un tiers.



Brochage des connecteurs vu depuis le connecteur de prompteur

N° de broche	Nom du signal
1	---
2	PROMPTER VIDEO GND
3	PROMPTER VIDEO
4	---
5	---
6	---
7	---
8	---
9	---
10	---
11	---
12	DC 12V OUT
13	GND
14	---
15	---
16	---
17	---
18	---
19	---
20	---
21	---
22	---
23	---
24	---
25	---
26	---
27	---
28	---
29	---
30	---
31	---
32	---

Les commandes et leurs fonctions

13 Tige de guidage

Elle permet de déterminer le sens de montage de la caméra.

14 Vis de montage de caméra (U1/4" 20UNC)

Elles permettent de fixer solidement la caméra une fois qu'elle est montée.

15 Panneau latéral vierge

Il sert pour modifier le sens de montage du panneau des connecteurs du pied.

16 Connecteur SDI IN [SDI IN]

Raccorder ce connecteur au connecteur SDI OUT de la carte AW-PB504 ou de toute autre carte installée dans la caméra convertible à l'aide d'un câble coaxial.

17 Connecteur ENG LEN CONTROL [ENG LENS CONTROL]

Il sert lors de l'utilisation d'un objectif ENG. Il faudra se procurer un câble de raccordement en option.

18 Connecteur OPTION [OPTION]

Y raccorder le module de rotation AW-RL400 à l'aide du câble fourni avec l'AW-RL400.

19 Connecteur LENS I/F [LENS I/F]

Il permet de commander le zoom et la mise au point de l'objectif motorisé. Utiliser le câble de commande à distance (zoom/mise au point) de l'objectif motorisé pour effectuer le raccordement.

20 Connecteur CAMERA I/F [CAMERA I/F]

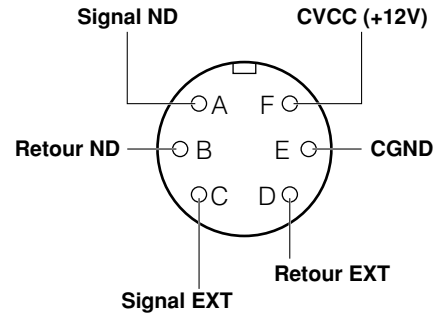
Il permet de commander la caméra convertible. Raccorder le connecteur au connecteur REMOTE de la caméra à l'aide du câble de caméra fourni avec l'AW-PH400. Selon les fonctions de la carte en option, il faudra peut-être se procurer un câble de caméra spécial (vendu séparément).

21 Connecteur ND/EXT [ND/EXT]

Il sert pour la commande du filtre ND ou du multiplicateur de focale de l'objectif motorisé.

Raccorder ce connecteur lors de l'utilisation d'un objectif motorisé avec fonctions de filtre ND et de multiplicateur de focale.

Le connecteur compatible est le R03-P6M ou le R03-PB6M fabriqués par Tajimi Electronics Co., Ltd.



(Brochage des connecteurs vu depuis l'extrémité du câble)

22 Commutateur de marche/arrêt de signalisation [TALLY]

Sur ON, la lampe de signalisation s'allume avec les signaux sélectionnés. Sur OFF, la lampe de signalisation (6) ne s'allume pas même si les signaux sélectionnés sont reçus.

23 Connecteur CONTROL IN IP/RP [IP/RP]

C'est le connecteur de commande des signaux de la caméra et de la tête panoramique. Le raccorder au connecteur CONTROL OUT TO PAN/TILT du contrôleur de tête panoramique AW-RP400. Comme câble de raccordement, utiliser un câble droit 10BASE-T (équivalent à UTP catégorie 5).

24 Connecteur VIDEO [VIDEO]

C'est le connecteur de sortie des signaux vidéo de la caméra. Le raccorder au connecteur Y/VIDEO du compensateur de câble AW-RC400 ou d'un moniteur, etc.,. Comme câble de raccordement, utiliser un câble coaxial BNC.

25 Interrupteur de marche/arrêt de compensateur de câble [CABLE COMP]

Sur ON, les signaux qui ont été compensés par câble pour l'équivalent de 500 mètres sont envoyés par le connecteur VIDEO et les connecteurs Y, Pr et Pb. Si l'on utilise cet interrupteur en même temps que le compensateur de câble AW-RC400, le câble vidéo pourra être rallongé jusqu'à un maximum de 1 000 mètres.

Les commandes et leurs fonctions

26 Connecteur Y [Y]

C'est le connecteur de sortie des signaux vidéo de la caméra.

Il se raccorde au connecteur Y/VIDEO du compensateur de câble AW-RC400 ou du moniteur, etc.

Comme câble de raccordement, utiliser un câble coaxial BNC.

Pour pouvoir utiliser la caméra convertible AW-E300, AW-E300A, AW-E600, AW-E800 ou AW-E800A, il faudra installer la carte RGB AW-PB302.

27 Connecteur 1394 [1394]

Il sert pour la commande de la caméra convertible et de la tête panoramique équipée d'une carte IEEE 1394, par exemple l'AW-PB310.

Comme câble de raccordement, utiliser un câble IEEE 1394.

28 Connecteur SDI [SDI]

C'est le connecteur de sortie des signaux vidéo de la caméra.

Si l'on insère la carte SDI AW-PB504 ou une autre carte dans la caméra convertible pour l'utilisation, il sera possible d'envoyer des signaux SDI.

Comme câble de raccordement, utiliser un câble coaxial BNC.

29 Connecteur G/L IN [G/L IN]

C'est le connecteur d'entrée du signal genlock.

Il se raccorde au connecteur G/L OUT du compensateur de câble AW-RC400 ou d'un autre appareil.

Comme câble de raccordement, utiliser un câble coaxial BNC.

30 Connecteur PROMPTER IN [PROMPTER IN]

C'est à ce connecteur que sont reçus les signaux vidéo du prompteur.

Comme câble de raccordement, utiliser un câble coaxial BNC.

31 Connecteur Pb [Pb]

C'est le connecteur de sortie des signaux vidéo de la caméra.

Il se raccorde au connecteur Pb du compensateur de câble AW-RC400 ou du moniteur, etc.

Comme câble de raccordement, utiliser un câble coaxial BNC.

32 Connecteur Pr/C [Pr/C]

C'est le connecteur de sortie des signaux vidéo de la caméra.

Il se raccorde au connecteur Pr/C du compensateur de câble AW-RC400 ou du moniteur, etc.

Comme câble de raccordement, utiliser un câble coaxial BNC.

Installation (Il faudra absolument confier cette opération à son revendeur.)

■ Montage de la tête panoramique

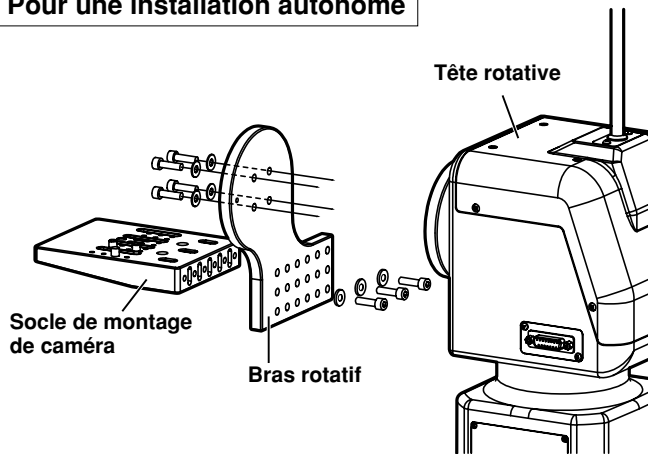
① Fixation du socle de montage de caméra

Fixer le socle de montage de caméra sur le bras rotatif à l'aide des trois vis. Le sens de montage dépend de la méthode d'installation utilisée.

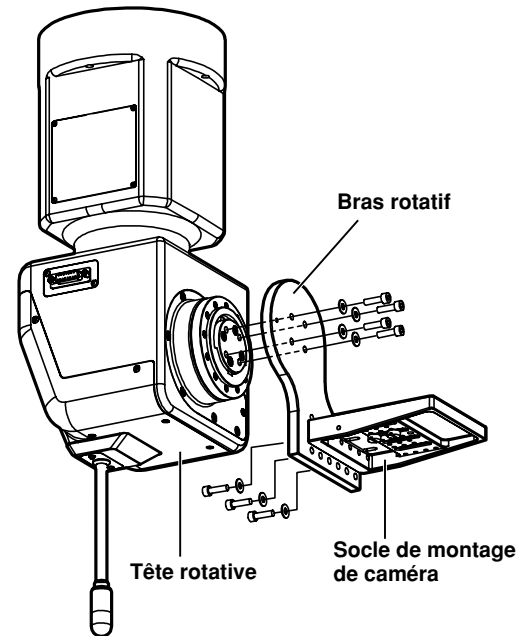
② Fixation du bras rotatif

Fixer le bras rotatif à la tête rotative à l'aide des quatre vis. Le sens de montage dépend de la méthode d'installation utilisée.

Pour une installation autonome



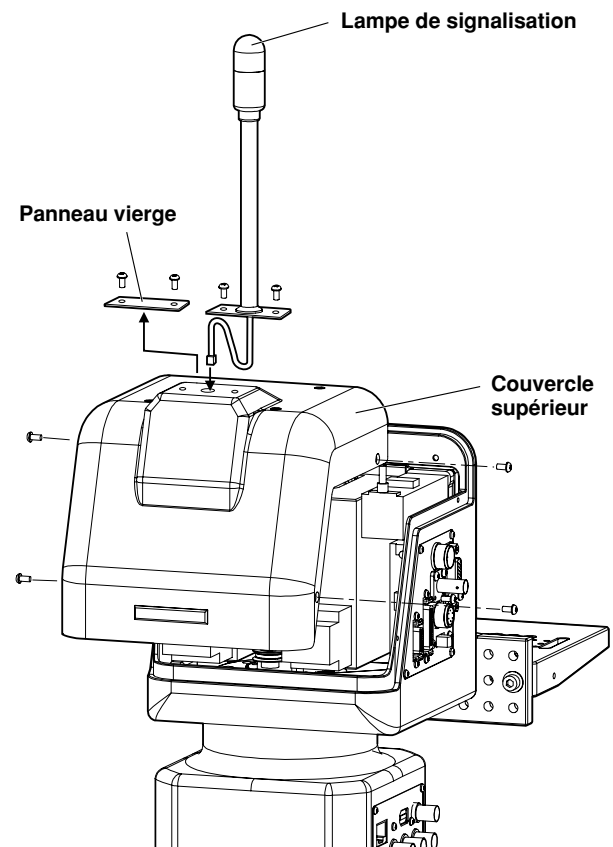
Pour une installation au plafond



③ Montage de la lampe de signalisation

Retirer les quatre vis pour retirer le couvercle supérieur.
Retirer les deux vis pour retirer le panneau vierge.
Monter la lampe de signalisation et la fixer à l'aide des vis utilisées pour la fixation du panneau vierge.
Raccorder le connecteur de la lampe de signalisation.
Remonter le couvercle supérieur et le fixer à l'aide des quatre vis.

- Serrer les vis à fond pour qu'elles ne se détachent pas pendant l'utilisation.

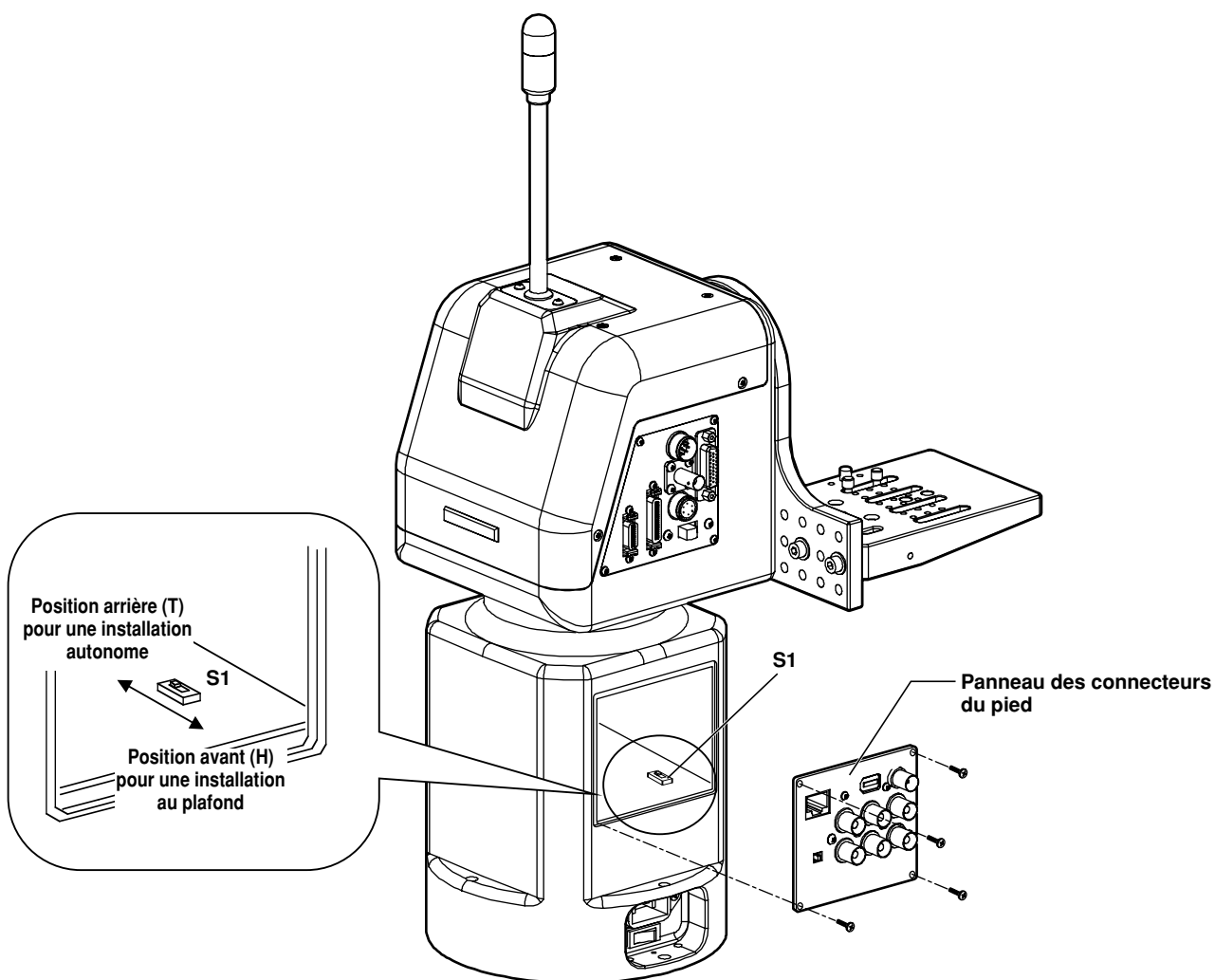


Installation (Il faudra absolument confier cette opération à son revendeur.)

■ Réglage du commutateur de sens de montage

Régler le commutateur de la façon suivante lorsqu'on installe l'appareil au plafond.
(Ce commutateur a été réglé en usine pour une installation autonome.)

- ① Retirer les quatre vis et retirer le panneau des connecteurs du pied en faisant très attention.
- ② Régler le commutateur S1 de la carte de circuits à l'intérieur de la tête panoramique de la façon suivante :
Pour une installation autonome:
Mettre S1 sur la position arrière (T). (Réglage d'usine)
Pour une installation au plafond:
Mettre S1 sur la position avant (H).
- ③ Lorsque le réglage est terminé, remettre le panneau des connecteurs sur sa position d'origine, et le fixer à l'aide des vis.
(Faire attention de ne pas coincer ni débrancher les fils.)



- Il faudra impérativement couper l'alimentation avant de modifier la position de ce commutateur.

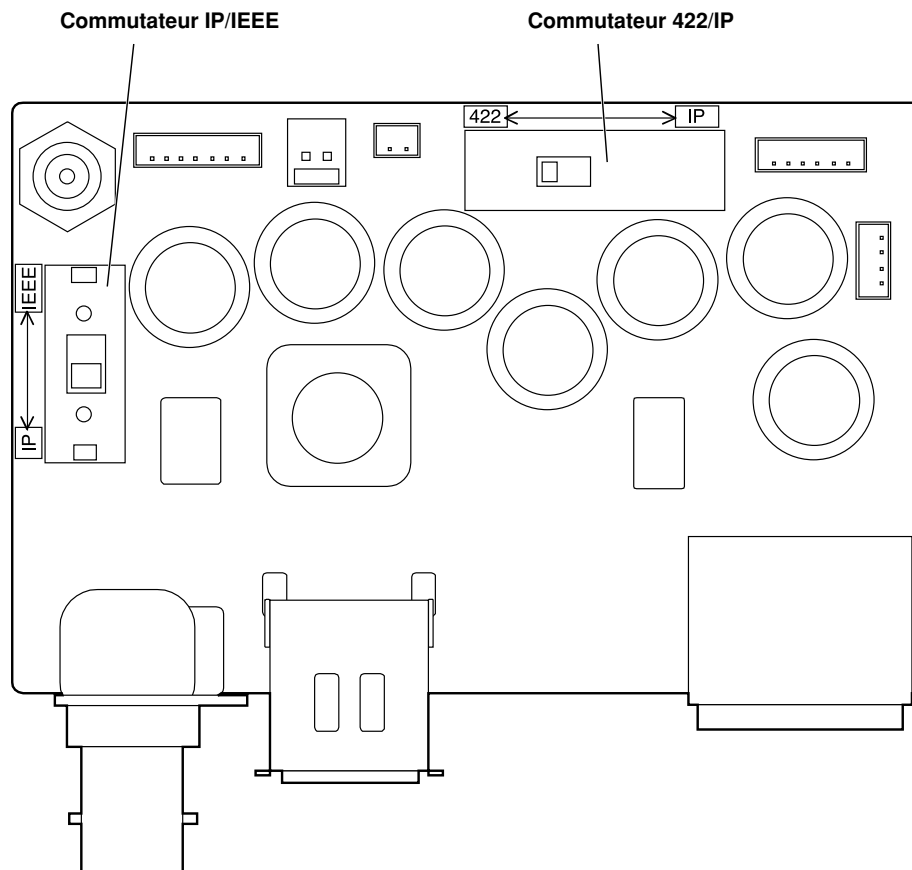
Installation *(Il faudra absolument confier cette opération à son revendeur.)*

■ Réglage des commutateurs de carte de circuits

Les commutateurs de la carte CONNECTOR doivent être réglés en fonction des signaux à envoyer et du matériel qui sera raccordé à la tête panoramique.

(Les commutateurs ont été réglés en usine pour le support analogique/SDI.)

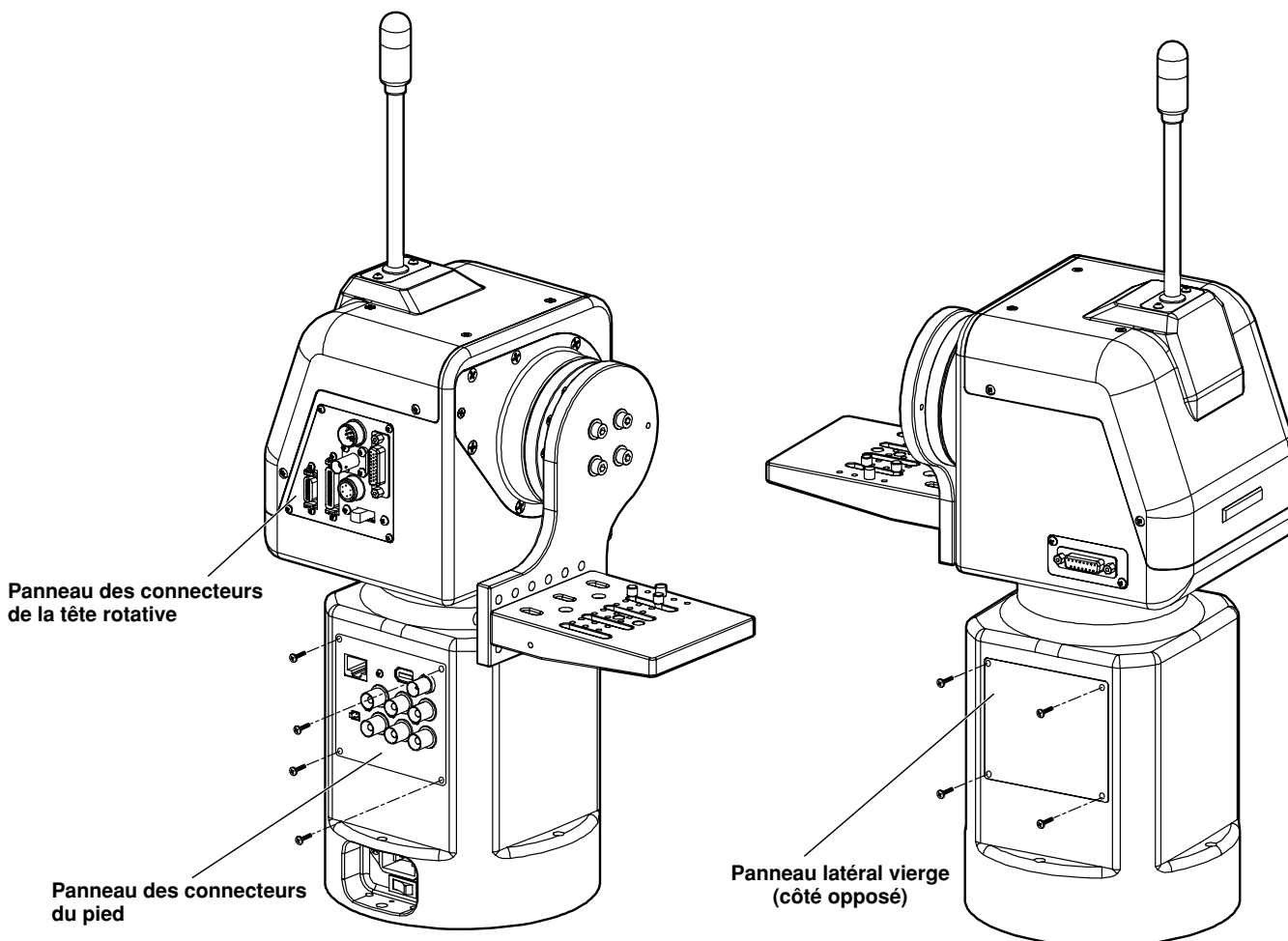
- **Support analogique/SDI**
Commutateur IP/IEEE : IEEE
Commutateur 422/IP : 422
- **Support de carte Internet**
Commutateur IP/IEEE : IP
Commutateur 422/IP : IP
- **Support de carte IEEE 1394**
Commutateur IP/IEEE : IEEE
Commutateur 422/IP : 422



Installation (Il faudra absolument confier cette opération à son revendeur.)

■ Modification de la position de montage du panneau de connecteurs du pied

Au besoin, il est possible de déplacer la position de montage du panneau des connecteurs sur le côté opposé de l'appareil.



- ① Retirer les quatre vis du panneau des connecteurs du pied, et sortir le panneau des connecteurs du pied.
- ② Débrancher les six connecteurs de la carte de circuits au dos du panneau des connecteurs du pied.
- ③ Retirer les quatre vis du panneau latéral vierge, et retirer le panneau latéral vierge.
- ④ Déplacer le panneau des connecteurs du pied sur le côté opposé, et rebrancher les connecteurs de la carte de circuits comme ils l'étaient précédemment.
- ⑤ Visser le panneau des connecteurs du pied et le panneau latéral vierge.

- Il n'est pas possible de modifier la position de montage ni le sens de montage du panneau des connecteurs de la tête rotative.

Installation (Il faudra absolument confier cette opération à son revendeur.)

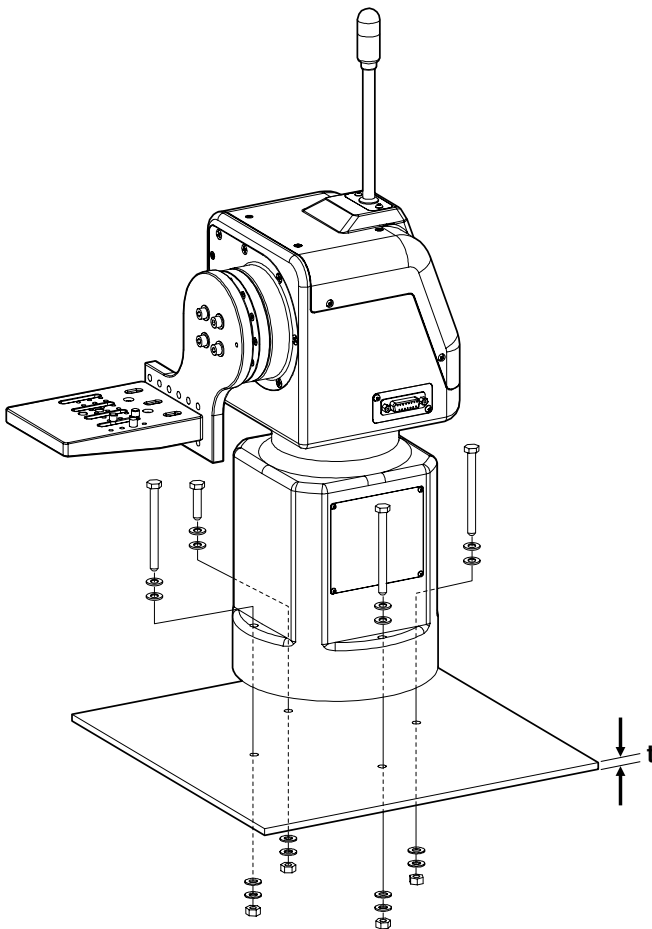
■ Installation de la tête panoramique

Pour l'installation de la tête panoramique, suivre attentivement les instructions ci-dessous.

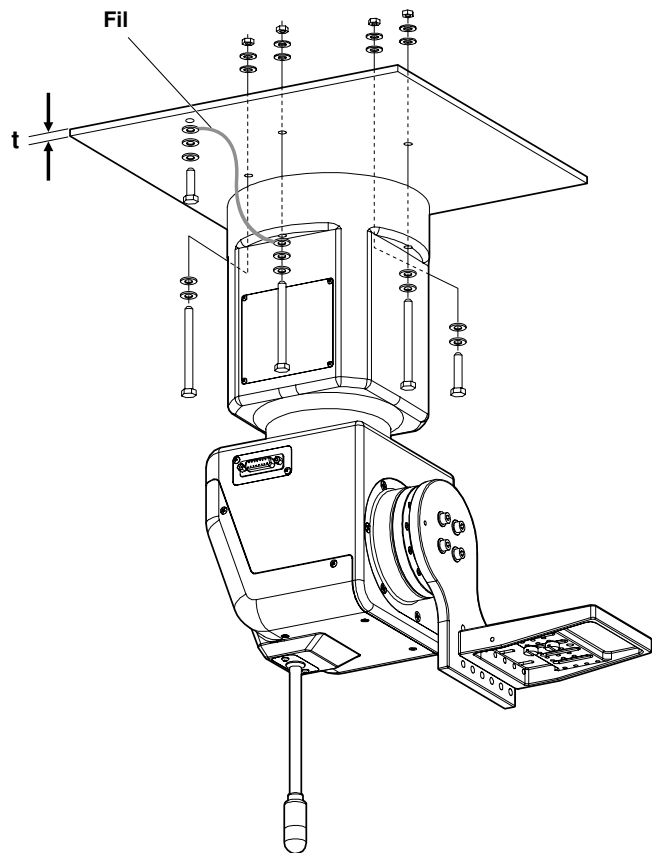
Afin d'éviter tout risque d'accident dû à un détachement ou à une chute de l'appareil, observer scrupuleusement toutes les instructions. Ne pas installer la tête panoramique sur le côté car cette position ne permettrait pas de garantir son bon fonctionnement et ses performances.

- Monter la caméra sur la tête panoramique après avoir installé la tête panoramique.
- Lors de l'installation de la tête panoramique, utiliser les quatre orifices de montage pour fixer solidement la tête panoramique.
- Pour l'installation, utiliser les boulons à tête à six pans M6 (dont un boulon court).
- Utiliser les boulons à tête à six pans d'une longueur supérieure à l'épaisseur (t) du membre monté + 25 mm.
- Comme indiqué sur la figure, utiliser des rondelles plates, des rondelles à ressort et des écrous à six pans pour les boulons à tête à six pans.
- Utiliser une clé de la dimension appropriée pour serrer les boulons à tête à six pans.
- Lors de l'installation de la tête panoramique au plafond, fixer le fil en même temps que les boulons, puis les arrimer à fond à une section rigide du plafond.
- Utiliser un fil qui soit suffisamment solide pour supporter le poids de la tête panoramique tout entière (tête panoramique, caméra et câble d'objectif).
- Installer la tête panoramique de façon que le matériel et le câble fixé dessus n'entrent pas en contact avec des objets environnants lorsque la tête pivote.

Pour une installation autonome



Pour une installation au plafond



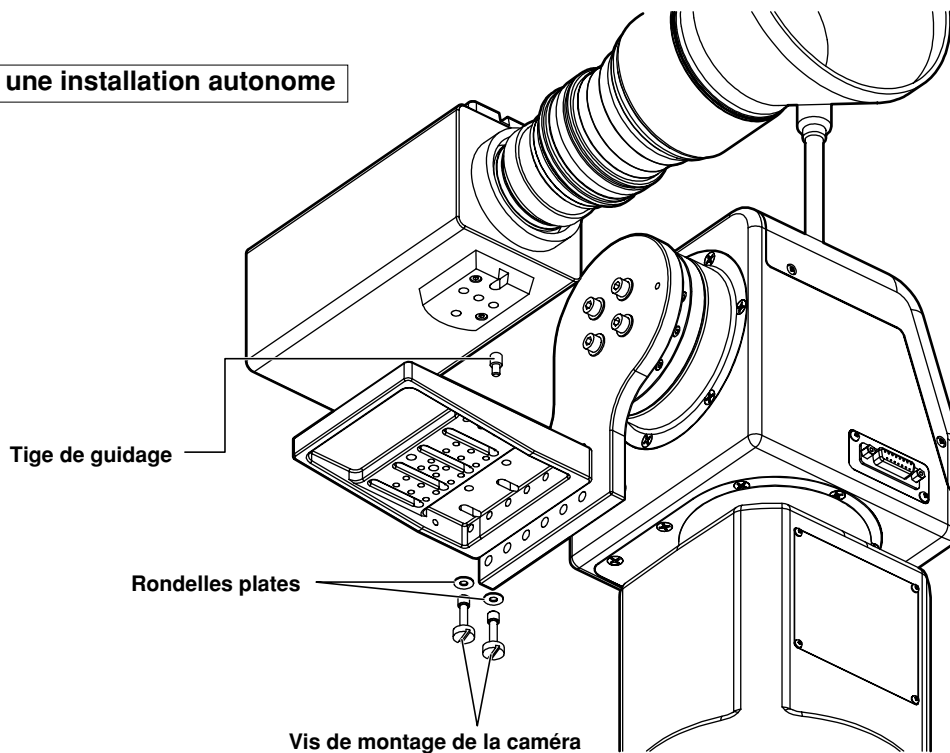
* Lors de l'installation de la tête panoramique, ne pas faire pivoter de force la tête rotative ni le bras rotatif manuellement. Cela pourrait provoquer un dysfonctionnement.

Installation (Il faudra absolument confier cette opération à son revendeur.)

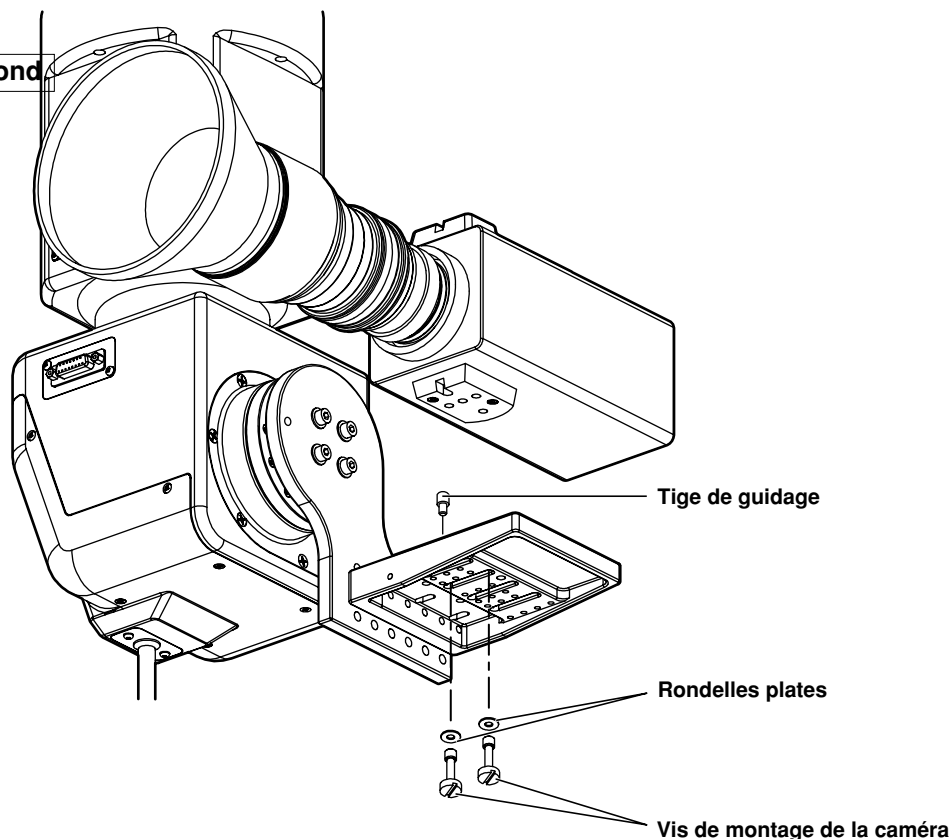
■ Montage de la caméra

- ① Sélectionner l'emplacement des vis de montage de la tige de guidage et des vis de montage de la caméra en fonction de la caméra et de l'objectif utilisés, et monter la caméra. Lors du montage de la caméra, faire très attention à ce que la caméra ne tombe pas et ne se dévise pas.

Pour une installation autonome



Pour une installation au plafond



Installation (Il faudra absolument confier cette opération à son revendeur.)

■ Fixation de la chaîne

Lors du montage de la caméra AW-E750

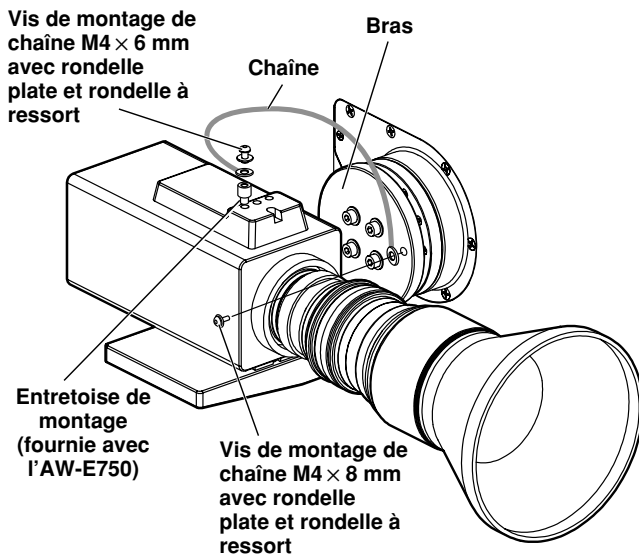
- ① Fixer l'une des extrémités de la chaîne au bras de la tête panoramique à l'aide de la vis de montage de chaîne (M4 x 8 mm avec rondelle plate et rondelle à ressort).
- ② Monter l'entretoise de montage sur le panneau supérieur de la caméra.
- ③ Fixer l'autre extrémité de la chaîne à l'orifice de vis de l'entretoise de montage à l'aide de la vis de montage de chaîne (M4 x 6 mm avec rondelle plate et rondelle à ressort).

Lors du montage de la caméra AW-E350 ou AW-E650

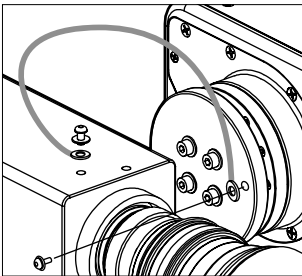
- ① Fixer l'une des extrémités de la chaîne au bras de la tête panoramique à l'aide de la vis de montage de chaîne (M4 x 8 mm avec rondelle plate et rondelle à ressort). Fixer l'autre extrémité de la chaîne au bras de la tête panoramique à l'aide de la vis de montage de chaîne (M4 x 8 mm avec rondelle plate et rondelle à ressort).
- ② Fixer l'autre extrémité de la chaîne à l'orifice du panneau supérieur de la caméra à l'aide de la vis de montage de chaîne (M4 x 6 mm avec rondelle plate et rondelle à ressort).

Pour une installation autonome

- Caméra : AW-E750

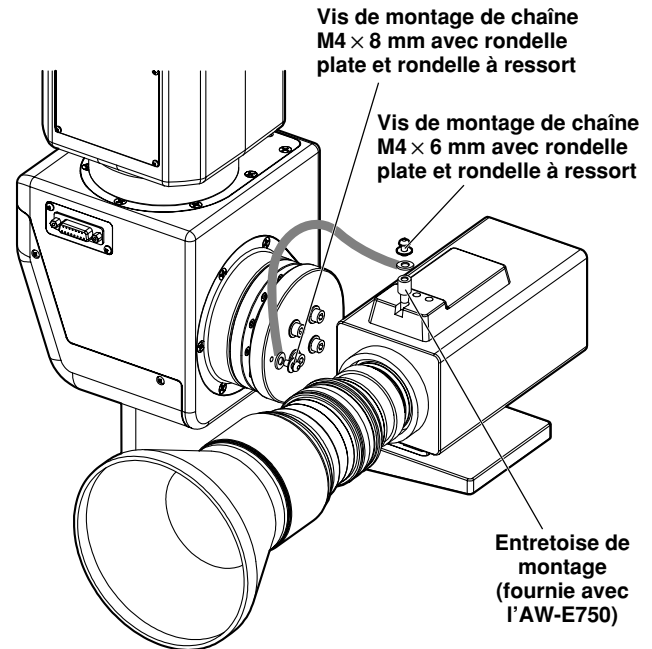


- Caméra : AW-E650, AW-E350

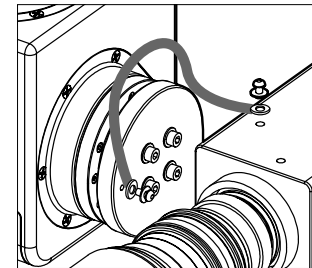


Pour une installation au plafond

- Caméra : AW-E750



- Caméra : AW-E650, AW-E350



* Bien serrer l'entretoise de montage et les vis à fond à l'aide d'un tournevis par exemple.

Remplacement des consommables

■ Remplacement de la pile

La pile a une autonomie d'environ 5 ans.

L'appareil conserve en mémoire les positions préréglées, les limiteurs et les autres données de réglage. Ces données sont conservées même si l'on met l'appareil hors tension, mais lorsque la pile a atteint sa limite de service, ces données seront perdues si l'appareil est mis hors tension.

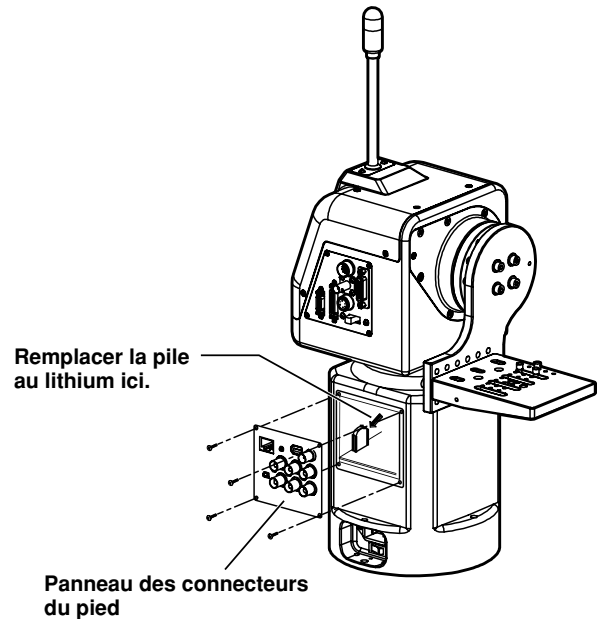
Remplacer la pile épuisée par une neuve. (Pile utilisée : pile au lithium-bioxyde de manganèse CR2032)

■ Retrait de la pile

- ① Retirer les quatre vis, et retirer le panneau des connecteurs du pied.
- ② Appuyer sur la pile dans le sens de la flèche indiquée sur la figure, et sortir la pile en la glissant.
- ③ Lorsque la pile est sortie, soulever par le dessous la section indiquée par la flèche.
- ④ Dégager la section indiquée par la flèche du logement de pile, puis sortir la pile en la tirant vers soi.

■ Installation de la pile

- ① Amener le côté "+" de la pile sur le devant, et insérer son extrémité dans le logement de pile dans le sens de la flèche.
- ② Enfoncer la pile dans le logement de pile en la poussant dans le sens de la flèche.
- ③ Fixer le panneau des connecteurs du pied à l'aide des quatre vis.



■ Remplacement du moteur

Remplacer le moteur lorsqu'il ne fonctionne plus correctement.

Pour les détails sur le remplacement du moteur, consulter son revendeur.

■ Remplacement de la courroie

Remplacer la courroie lorsque la précision d'arrêt préréglée s'est dégradée.

Pour les détails sur le remplacement de la courroie, consulter son revendeur.

■ Remplacement de l'engrenage

Remplacer l'engrenage lorsque la précision d'arrêt préréglée s'est dégradée.

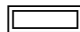
Pour les détails sur le remplacement de l'engrenage, consulter son revendeur.

**Le moteur, l'engrenage et la courroie sont des consommables.
Il faudra les remplacer à intervalles périodiques.**

Fiche technique

Tension d'alimentation: 240 V CA, 50/60 Hz

Consommation: 145 W

 Informations concernant la sécurité.

Entrée de genlock:	BNC Signal de noir codé ou vidéo composite
Entrée de prompteur (PROMPTER IN):	BNC Flux acheminé vers le connecteur PROMPTER
Sortie de prompteur (PROMPTER OUT):	D-SUB 15 broches
Sortie vidéo de caméra	
VIDEO:	BNC, sortie de 75 ohms, 1 Vc-c Câble de raccordement : 5C-2V, 1 000 mètres max.
Y, Pr/C, Pb:	Y/C Y: 1 Vc-c/75 ohms C: 0,285 Vc-c/75 ohms (salve) Vidéo à composantes: Y: 1 Vc-c/75 ohms Pr: 0,7 Vc-c/75 ohms Pb: 0,7 Vc-c/75 ohms Câble de raccordement : 5C-2V, 1 000 mètres max.
SDI:	BNC
Commande de caméra, tête panoramique:	
RP/IP	RJ45, RS-485, sortie de signal de commande de tête panoramique Câble de raccordement : Câble droit 10BASE-T (équivalent à UTP catégorie 5), 500 mètres max.
Fonctions/performances:	Capacité de support de charge maximale : 8 kg Plage d'inclinaison : 190 degrés (environ ± 95 degrés) La plage d'inclinaison est sujette à restrictions en fonction du câble et de l'objectif de caméra à monter sur la tête panoramique. Plage de balayage panoramique : 400 degrés (environ ± 200 degrés) Vitesse de fonctionnement maximale : 90 degrés/seconde (Vitesse de fonctionnement maximale lorsque le prompteur est monté : 30 degrés/seconde) Répétabilité : $\pm 30''$ Niveau de bruit : Inférieur à NC30 (à moins de 30 degrés/seconde)
Température de fonctionnement ambiante:	0°C à +45°C
Température de rangement:	-20°C à +60°C
Humidité de fonctionnement ambiante:	30% à 90% (pas de condensation)
Dimensions (L x H x P):	??? x ??? x ??? mm
Poids:	Environ ?? kg
Finition:	Revêtement ivoire AV (coloris approchant le Munsell 7.9Y6.8/0.8)

Les poids et les dimension sont approximatifs.

Les spécifications sont sujettes à modifications sans préavis.

Introduction

- Le contrôleur de tête panoramique permet de commander un maximum de cinq têtes panoramiques intérieures AW-PH400.
- Le raccordement du panneau de commande à distance AW-CB400 ou du boîtier de commande à distance WV-CB700A au contrôleur permettra de commander simultanément les caméras convertibles montées sur les têtes panoramiques.
- L'installation d'un contrôleur supplémentaire permettra de commander simultanément deux des cinq appareils du système de transport.
- L'appareil est capable de mémoriser dix mémoires de tracé.
- Il est possible de prérégler un maximum de 50 mémoires de préréglage.
- La distance de raccordement entre le contrôleur et le système de tête panoramique peut être rallongée jusqu'à 500 mètres maximum.

REMARQUE

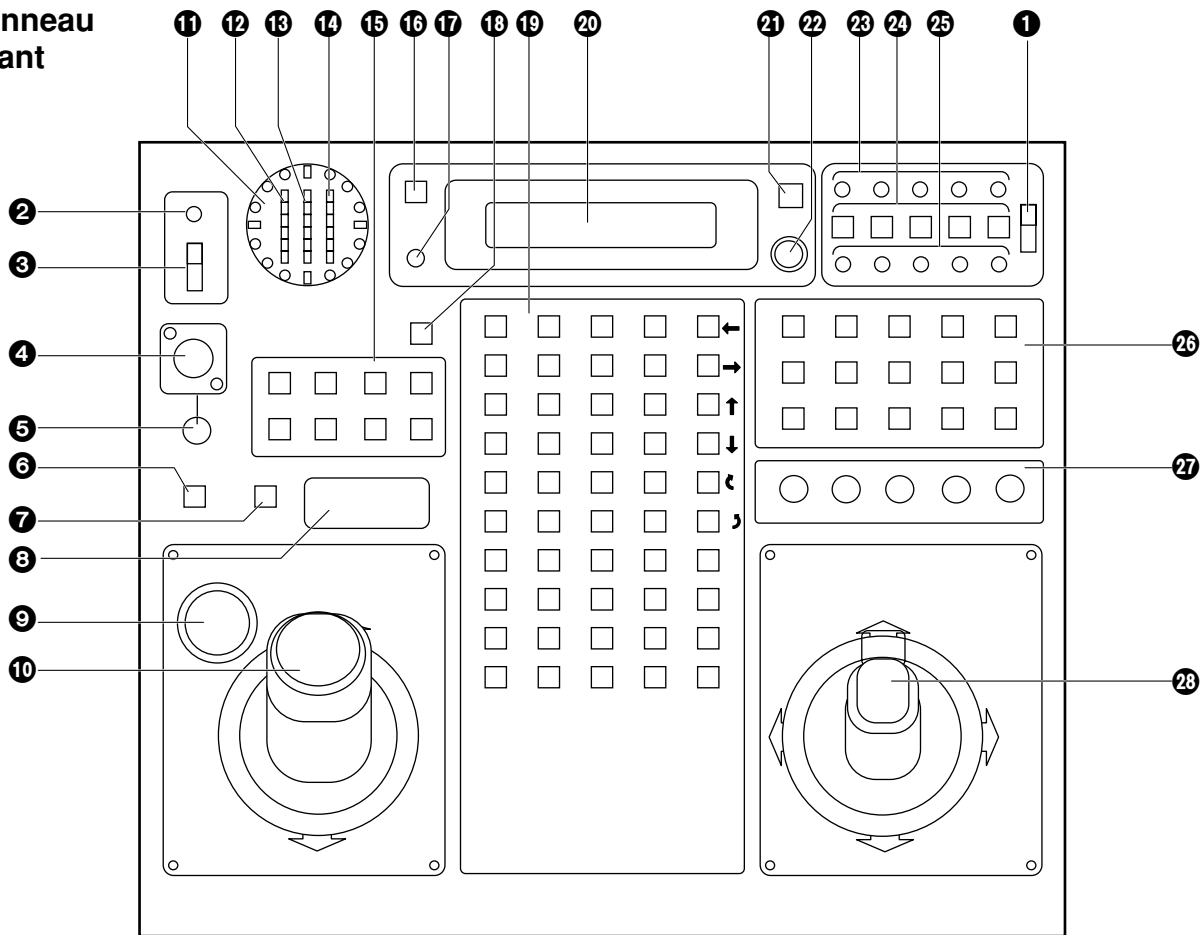
- Il n'est pas possible de commander les modèles de tête panoramique AW-PH300, AW-PH300A, AW-PH350, AW-PH500 ou AW-PH600 avec l'AW-RP400.
- Avant d'utiliser le contrôleur, il faudra absolument régler la plage de déplacement (limiteurs) du système de tête panoramique.
- Lorsque l'AW-PH400 doit être mis au rebut à la fin de sa durée de vie, confier cette opération à un service spécialisé afin de protéger l'environnement.

Accessoires

Commutateur de zoom	1
Fiche (D-SUB 15 broches) du système de signalisation/INCOM.....	1 jeu
Adaptateurs de montage en rack	2
Vis de montage (M4 × 8 mm).....	4

Les commandes et leurs fonctions

■ Panneau avant



1 Commutateur EXT CONT [M/S]

Normalement, laisser ce commutateur sur la position [M] (maître). Si l'on installe un contrôleur AW-RP400 supplémentaire, régler le commutateur EXT CONT de l'appareil supplémentaire sur [S] (asservi).

Si l'on ne prévoit pas d'utiliser de contrôleur AW-RP400 supplémentaire, laisser impérativement le commutateur EXT CONT de ce contrôleur sur la position [M] (maître).

2 Voyant OPERATE

Il s'allume en vert quand l'interrupteur OPERATE (3) est réglé sur ON. Il s'éteint lorsque l'interrupteur est réglé sur OFF.

3 Interrupteur de marche/arrêt (OPERATE [ON/OFF])

Lorsque cet interrupteur est réglé sur [ON], l'alimentation est fournie aux têtes panoramiques raccordées aux caméras, et la commande système est activée.

Si l'interrupteur est réglé sur [OFF], l'alimentation des têtes panoramiques raccordées aux caméras est coupée.

REMARQUE

Si l'on installe un contrôleur AW-RP400 supplémentaire et qu'on l'utilise, il ne sera pas possible d'exercer la commande depuis le contrôleur asservi si l'interrupteur OPERATE non seulement du contrôleur asservi mais également du contrôleur maître ne sont pas tous deux réglés sur [ON]. Bien penser à mettre l'interrupteur OPERATE du contrôleur asservi sur [ON] avant de mettre l'interrupteur OPERATE du contrôleur maître sur [ON].

4 Prise INCOM

C'est à cette prise que se raccorde le casque INCOM (inter-communication).

5 Potentiomètre de niveau (LEVEL)

Il permet de régler le volume du récepteur du casque.

6 Touche d'appel (CALL)

Quand on appuie sur cette touche, l'avertisseur sonore du contrôleur raccordé retentit, et le voyant de la touche CALL s'allume.

Les commandes et leurs fonctions

7 Touche de diaphragme

(IRIS [AUTO/MANU/LOCK])

Elle permet de sélectionner la méthode de réglage du diaphragme des caméras du système de tête panoramique actuellement sélectionné.

Chaque fois qu'on appuie sur la touche, le réglage change dans l'ordre suivant : AUTO, MANU et LOCK.

AUTO: Les caméras règlent automatiquement le diaphragme en fonction de la quantité de lumière, et le voyant de la touche IRIS s'allume.

MANU: Le diaphragme se règle manuellement avec la molette IRIS. Avec ce réglage, le voyant de la touche IRIS s'éteint.

LOCK: Le diaphragme se verrouille au réglage effectué manuellement. Il n'est pas possible de le régler en tournant la molette IRIS (9). Dans cet état, le voyant de la touche IRIS clignote lentement.

Lorsqu'on sélectionne MANU ou LOCK, le voyant de la touche IRIS se met à clignoter rapidement quand on tourne la molette IRIS : cela signifie que le réglage du diaphragme n'est pas possible, même si l'on tourne la molette IRIS (9).

- La touche IRIS du contrôleur ne fonctionnera pas si l'on a raccordé le boîtier de commande à distance WV-CB700A au contrôleur. Sélectionner AUTO ou MANU avec la touche IRIS [AUTO/MAN] du WV-CB700A.

8 Emplacement pour carte SD (SD CARD)

C'est dans cet emplacement que s'insèrent les cartes mémoire SD. Ces cartes permettent de mémoriser les réglages de la tête panoramique et de la caméra.

9 Molette de diaphragme (IRIS)

Le diaphragme se règle en tournant cette molette après avoir réglé la touche IRIS [AUTO/MANU/LOCK] (7) sur MANU. Tourner la molette dans le sens des aiguilles d'une montre pour ouvrir le diaphragme, et dans le sens inverse pour le fermer.

- La molette IRIS du contrôleur ne fonctionnera pas si l'on a raccordé le boîtier de commande à distance WV-CB700A au contrôleur. Régler le diaphragme avec la commande IRIS du WV-CB700A.

10 Levier de zoom (ZOOM)/molette de mise au point (FOCUS)

Utiliser le levier ZOOM pour régler le zoom. Les réglages TELE (téléobjectif) et WIDE (grand angle) s'activent en fonction du sens dans lequel on incline le levier ; la vitesse de zoom se règle en fonction de l'angle auquel on incline le levier.

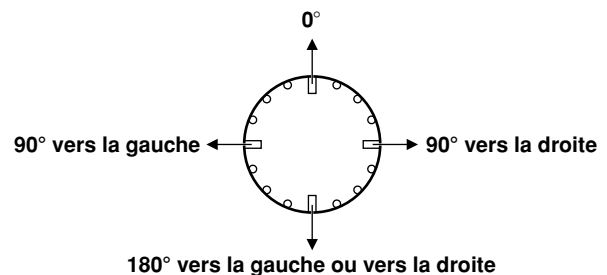
La mise au point de l'objectif s'effectue avec la molette FOCUS au-dessus du levier.

11 Indicateur PAN

L'appareil utilise seize LED pour afficher la position de la tête panoramique dans le sens de la rotation horizontale pour 200 degrés vers la gauche et vers la droite.

Lorsqu'on fait tourner la tête panoramique de plus de 180 degrés vers la droite, la LED de 180 degrés clignote, et les LED à sa gauche s'allument.

Inversement, lorsqu'on fait tourner la tête panoramique de plus de 180 degrés vers la gauche, la LED de 180 degrés clignote, et les LED à sa droite s'allument.



12 Indicateur IRIS

La position du diaphragme du système de tête panoramique actuellement sélectionné est indiquée au moyen d'un affichage à 6 paliers (CLOSE → OPEN).

13 Indicateur ZOOM

La position du zoom du système de tête panoramique actuellement sélectionné est indiquée au moyen d'un affichage à 6 paliers (WIDE → TELE).

14 Indicateur FOCUS

La position de mise au point de l'objectif du système de tête panoramique actuellement sélectionné est indiquée au moyen d'un affichage à 6 paliers (NEAR → FAR).

15 Commutateurs d'option (OPTION [A à H])

Il est possible d'assigner les fonctions "NOT USE", "LAMP", "DEFROSTER", "WIPER", "HEATER/FAN", "AF", "ND", "OPTION" et "EXTENDER" aux commutateurs OPTION A à H en réglant les menus.

16 Touche d'origine (HOME)

Appuyer sur cette touche pour amener la tête panoramique et le module de rotation à la position d'origine.

17 Potentiomètre de contraste d'écran LCD (LCD CONTRAST)

Il permet de régler le contraste de l'écran LCD.

Les commandes et leurs fonctions

18 Touche de mémoire (MEMORY)

Si l'on appuie sur l'une des touches de sélection PRESET MEMORY (19) [1] à [50] tout en maintenant la touche MEMORY enfoncée, les réglages du système de tête panoramique s'enregistrent sur cette touche de sélection PRESET MEMORY.

La touche MEMORY clignote si la tête panoramique sélectionnée avec la touche CONTROL SELECT (24) n'est pas raccordée ou qu'elle n'est pas sous tension.

19 Touches de sélection PRESET MEMORY [1] à [50]

Utiliser ces touches pour rappeler les réglages enregistrés dessus. Lorsqu'il y a des données enregistrées dans les mémoires de tracé, l'affichage des temps d'enregistrement/lecture apparaît.

20 Écran LCD

L'état des réglages en cours s'affiche sur ce panneau.

21 Touche de menu/limite (MENU/LIMIT)

Maintenir cette touche enfoncée pendant deux secondes ou plus pour activer (ON) ou désactiver (OFF) le menu de réglage.

Si l'on appuie sur la touche de sélection PRESET MEMORY (19) [5], [10], [15], [20], [25] ou [30] tout en maintenant la touche MENU/LIMIT enfoncée, il est possible d'exercer la commande de marche/arrêt des limiteurs.

22 Molette CONT

Elle permet d'effectuer les opérations de menu.

23 Voyants de signalisation (TALLY) [1] à [5]

Lorsque des signaux de signalisation sont envoyés aux connecteurs TALLY/INCOM (31) [1] à [5] du panneau arrière, les voyants des numéros correspondant à ces connecteurs s'allument.

Lorsque des signaux de signalisation sont envoyés aux connecteurs de signalisation [1] à [5] du panneau de commande à distance AW-CB400, les voyants des numéros correspondant à ces connecteurs s'allument également si le panneau est raccordé au contrôleur de tête panoramique.

24 Touches de sélection de commande (CONTROL SELECT) [1] à [5]

Les connecteurs CONTROL OUT TO PAN/TILT (34) [1] à [5] du panneau arrière se sélectionnent en appuyant sur les touches [1] à [5]. Les voyants des touches correspondant aux numéros sélectionnés s'allument, et il est possible de commander les systèmes de tête panoramique.

Si le connecteur MONI SEL OUT (35) de ce contrôleur est raccordé au connecteur MONI SEL IN du compensateur de câble AW-RC400, il sera possible d'envoyer les images de la caméra raccordée au connecteur MONI1 ou MONI2 de l'AW-RC400.

- Si l'on a raccordé deux contrôleurs AW-RP400, il sera possible de régler au menu la combinaison des contrôleurs sélectionnant la sortie du moniteur.

25 Voyants ANOTHER CONTROL [1] à [5]

Si l'on raccorde un autre contrôleur AW-RP400, ces voyants indiqueront le numéro des systèmes de tête panoramique sélectionnés par le contrôleur AW-RP400 supplémentaire.

26 Touches de mémoire de tracé (TRACING MEMORY) [START POINT, STOP, RESTORE, RESET, 1 à 10]

Utiliser ces touches pour les opérations de la mémoire de tracé. Pour les détails sur le fonctionnement, voir la section relative à la mémoire de tracé.

27 Potentiomètres de vitesse (SPEED) [ZOOM/FOCUS/PAN/TILT/ROTATION]

Ils permettent de régler la vitesse de la tête panoramique, de l'objectif et du module de rotation.

Tourner ces potentiomètres à fond dans le sens inverse des aiguilles d'une montre pour inhiber le fonctionnement de la tête panoramique et des objectifs, même si la commande est exercée avec la manette, etc.

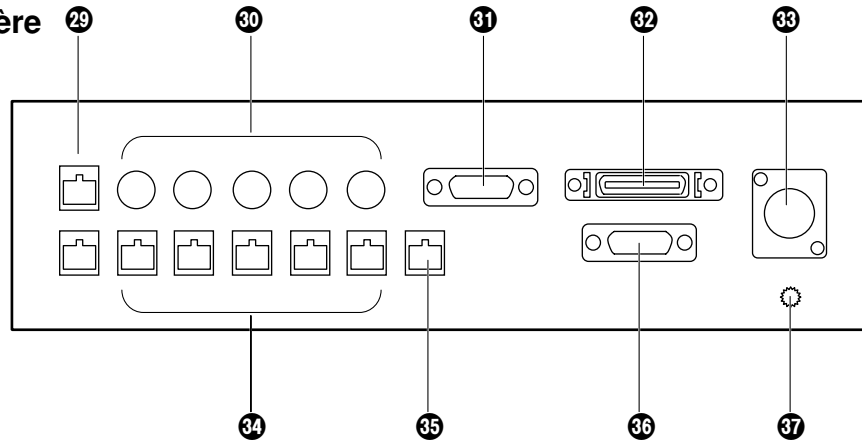
28 Levier de balayage panoramique (PAN/TILT)/commande de rotation (ROTATION)

Ils permettent de régler le sens des têtes panoramiques. Quand on incline le levier vers la gauche ou vers la droite, les têtes panoramiques se déplacent vers la gauche ou vers la droite ; si on l'incline vers le haut ou vers le bas, les têtes se déplacent vers le haut ou vers le bas. La vitesse de déplacement se règle avec l'angle auquel on incline le levier.

De plus, il est possible de régler l'angle du module de rotation AW-RL400 avec la commande ROTATION sur le devant du levier. Si l'on appuie sur la partie supérieure de la commande ROTATION, le module de rotation tourne dans le sens des aiguilles d'une montre ; si l'on appuie sur la partie inférieure, le module tourne en sens inverse. La vitesse de rotation varie en fonction de la pression appliquée.

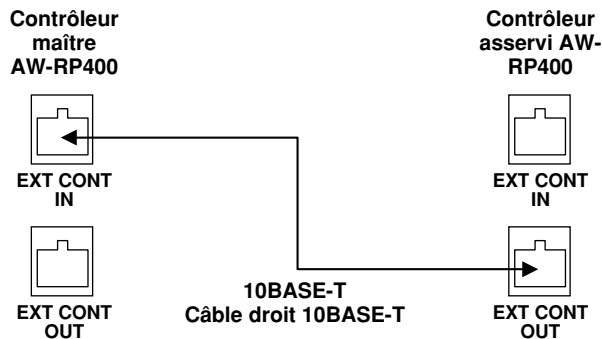
Les commandes et leurs fonctions

■ Panneau arrière



29 Connecteurs EXT CONT IN/OUT

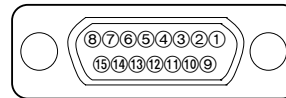
Si l'on veut utiliser un contrôleur AW-RP400 supplémentaire, raccorder ces connecteurs sur les deux contrôleurs AW-RP400 à l'aide d'un câble droit 10BASE-T (équivalent à UTP catégorie 5).



31 Connecteur TALLY/INCOM

Raccorder ce connecteur au connecteur TALLY/INCOM du module de commutation vidéo ou de tout autre appareil.

Si le connecteur d'entrée TALLY est réglé sur le niveau GND, le voyant TALLY du contrôleur ou de la tête panoramique s'allume. Ne pas appliquer de tension supérieure à 5 V à ce connecteur.



Brochage les connecteurs vu depuis le panneau arrière de l'AW-RP400

N° de broche	Nom du signal
1	TALLY1
9	TALLY2
2	TALLY3
10	TALLY4
3	TALLY5
11	TALLY GND
4	---
12	---
5	---
13	---
6	MIC+
14	MIC-
7	INCOM GND
15	SP-
8	SP+

30 Connecteurs CAMERA CONTROL IN FROM RCB [P1] à [P5]

Raccorder les boîtiers de commande à distance WV-CB700A à ces connecteurs.

Ceci permet de commander les caméras installées sur les têtes panoramiques correspondant aux ports auxquels les boîtiers de commande à distance WV-CB700A ont été raccordés.

Même si l'on utilise un boîtier de commande à distance WV-CB700A, il ne sera pas possible de commander les caméras via le panneau de commande à distance AW-CB400 si ce dernier est raccordé.

Utiliser la fiche accessoire (D-SUB 15 broches) pour raccorder les signaux de signalisation/INCOM au système.

Raccorder un système INCOM à 4 fils au connecteur INCOM.

Si l'on a ajouté un contrôleur supplémentaire ou qu'on a raccordé le panneau de commande à distance AW-CB400, la fonction INCOM ou de signalisation de tous les appareils sera activée si les signaux INCOM ou de signalisation sont raccordés à l'un des appareils.

Les commandes et leurs fonctions

32 Connecteur REMOTE

Raccorder un appareil externe à ce connecteur pour commander les systèmes de tête panoramique via un PC ou tout autre appareil externe. Pour raccorder le connecteur au PC, utiliser le câble RS-232C AW-CA50T9.

33 Prise DC 12V IN

Raccorder l'adaptateur secteur AW-PS505 (vendu séparément) à cette prise.

34 Connecteurs CONTROL OUT TO PAN/TILT HEAD [P1] à [P5]

Raccorder ces connecteurs aux connecteurs IP/RP des têtes panoramiques intérieures AW-PH400 à l'aide de câbles droits 10BASE-T (équivalents à UTP catégorie 5). Il est possible de rallonger les câbles jusqu'à 500 mètres maximum.

35 Connecteur MONI SEL OUT

Raccorder ce connecteur au connecteur MONI SEL OUT du compensateur de câble AW-RC400 à l'aide d'un câble droit 10BASE-T (équivalent à UTP catégorie 5). Il est maintenant possible d'envoyer les images de la caméra sélectionnée par le contrôleur via le connecteur MONITOR1 ou MONITOR2 de l'AW-RC400.

36 Connecteur CAMERA CONTROL IN FROM RCP

Raccorder le panneau de commande à distance AW-CB400 à ce connecteur à l'aide du câble de raccordement livré avec l'AW-CB400.

Il est maintenant possible de commander les caméras installées sur les têtes panoramiques via l'AW-CB400.

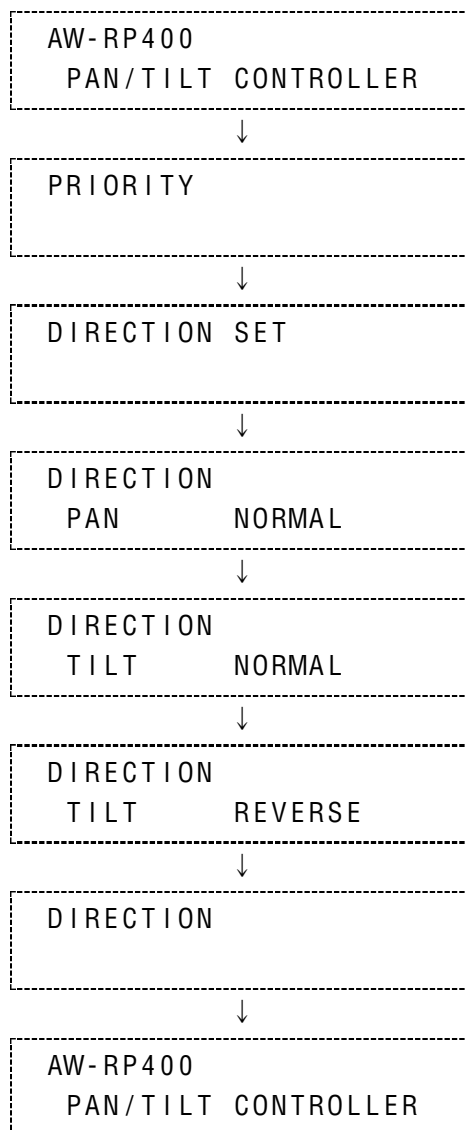
37 Prise de terre

Raccorder cette prise à la terre.

Réglage des menus

■ Méthode de fonctionnement

- ① Les rubriques de menu s'affichent quand on maintient la touche MENU/LIMIT enfoncée pendant deux secondes ou plus.
- ② Si rien n'apparaît sur la ligne du bas de l'écran LCD, tourner la molette CONT pour sélectionner une rubrique.
- ③ Lorsqu'on appuie sur la molette CONT, le réglage effectué apparaît sur la ligne du bas. S'il y a plusieurs paramètres dans la rubrique, les paramètres de la ligne du bas changent chaque fois qu'on appuie sur la molette.
- ④ Quand un paramètre s'affiche, tourner la molette CONT pour le modifier.
- ⑤ Appuyer successivement sur la molette CONT : tous les paramètres détaillés arrivent à la fin, et l'affichage de la ligne du bas disparaît, ce qui permet de sélectionner une autre rubrique.
- ⑥ Pour quitter le menu de réglage, maintenir le commutateur MENU/LIMIT enfoncé pendant deux secondes ou plus.
Chaque fois qu'un paramètre s'affiche sur la ligne du bas de l'écran LCD, le menu se ferme quand on maintient la touche MENU/LIMIT enfoncée pendant deux secondes ou plus.



Réglage des menus

■ Liste des rubriques et des paramètres

Rubrique	Paramètre	Description	Valeur initiale
PRIORITY		MASTER, SLAVE	MASTER
DIRECTION	PAN	NORMAL, REVERSE	NORMAL
	TILT		
	ZOOM		
	FOCUS		
	IRIS		
	ROTATION		
SPEED WITH ZOOM POS.		OFF, 1, 2, 3	OFF
MEMORY LENGTH		60s, 120s, 300s, 600s	60s
PRESET SPEED		1 à 25	25
IRIS CONTROL		BOTH, RP400, CB400	BOTH
ROTATION SWITCH		ROTATION, FOCUS, ZOOM, IRIS	ROTATION
OPTION SWITCH	A	NOT USE, LAMP, EFROSTER, WIPER, HEATER/FAN, AF, ND, OPTION, EXTENDER	NOT USE
	B		
	C		
	D		
	E		
	F		
	G		
H			
CONTROL SELECT MODE		INTERLOCK, UN-INTERLOCK	INTERLOCK
MONITOR2 SELECT	(Lorsque le contrôleur est le contrôleur maître)	CB400, SLAVE	CB400
	(Lorsque le contrôleur est le contrôleur asservi)	RP400, CB400	RP400
BUZZER		OFF, ON	ON
AUTO RUN	START No.	1 à 50	1
	END No.	1 à 50	50
	INTERVAL	1s à 30s	1s
	OPERATE	STOP, RUN	STOP
SD CARD		STORE, LOAD	---

PRIORITY (MASTER/SLAVE)

Si l'on raccorde deux contrôleurs de tête panoramique AW-RP400, il faudra régler la priorité des touches CONTROL SELECT.

Si l'on sélectionne MASTER à cette rubrique, c'est l'AW-RP400 maître qui aura priorité ; si l'on sélectionne SLAVE, c'est le AW-RP400 asservi qui aura priorité.

Si un contrôleur AW-RP400 à priorité élevée a sélectionné les têtes panoramiques, qui ont été sélectionnées par un contrôleur AW-RP400 à priorité plus faible, les voyants des touches CONTROL SELECT du contrôleur AW-RP400 à faible priorité se mettent à clignoter pour indiquer que les droits de commande ont été cédés à l'autre contrôleur. Ce réglage s'effectue avec le contrôleur AW-RP400 maître.

Réglage des menus

Rubriques DIRECTION (PAN, TILT, ZOOM, FOCUS, IRIS, ROTATION NORMAL/REVERSE)

Par action du levier ou de la molette, la rubrique DIRECTION permet de régler le sens de fonctionnement de PAN, TILT, ZOOM, FOCUS, IRIS ou ROTATION à la convenance de l'utilisateur.

- PAN:** Si l'on sélectionne NORMAL, la tête panoramique se déplace vers la gauche quand on incline le levier PAN/TILT vers LEFT (gauche), et vers la droite quand on incline le levier vers RIGHT (droite). Si l'on sélectionne REVERSE, la tête se déplace en sens inverse.
- TILT:** Si l'on sélectionne NORMAL, la tête panoramique se déplace vers le haut quand on incline le levier PAN/TILT vers UP (haut), et vers le bas quand on incline le levier vers DOWN (bas). Si l'on sélectionne REVERSE, la tête se déplace en sens inverse.
- ZOOM:** Si l'on sélectionne NORMAL, le zoom se déplace vers l'extrémité téléobjectif quand on incline le levier ZOOM vers TELE (téléobjectif), et vers l'extrémité grand angle quand on incline le levier vers WIDE (grand angle). Si l'on sélectionne REVERSE, le zoom se déplace en sens inverse.
- FOCUS:** Si l'on sélectionne NORMAL, la mise au point se déplace vers FAR (loin) quand on tourne la molette FOCUS dans le sens des aiguilles d'une montre, et vers NEAR (près) quand on la tourne dans le sens inverse des aiguilles d'une montre. Si l'on sélectionne REVERSE, la mise au point se déplace en sens inverse.
- IRIS:** Si l'on sélectionne NORMAL, le diaphragme se déplace vers l'ouverture quand on tourne la molette IRIS dans le sens des aiguilles d'une montre, et vers la fermeture quand on tourne la molette dans le sens inverse des aiguilles d'une montre. Si l'on sélectionne REVERSE, le diaphragme se déplace en sens inverse.
- ROTATION:** Si l'on sélectionne NORMAL, la tête panoramique se déplace dans le sens des aiguilles d'une montre quand on appuie sur le haut de la commande ROTATION, et dans le sens inverse des aiguilles d'une montre quand on appuie sur le bas. Si l'on sélectionne REVERSE, la tête se déplace en sens inverse.

Rubrique SPEED WITH ZOOM POS (OFF/1/2/3)

Au paramètre OFF, la vitesse du mouvement horizontal/vertical ne change pas en fonction de la position du zoom.

Au paramètre 1, 2 ou 3, le mouvement horizontal/vertical de la tête panoramique ralentit à mesure que le zoom approche de l'extrémité téléobjectif, ce qui facilite le réglage de la position du mouvement horizontal ou vertical même à l'extrémité téléobjectif.

Plus le numéro sélectionné comme paramètre est grand, plus la vitesse du mouvement horizontal/vertical ralentit à l'extrémité téléobjectif, et plus le réglage de la position d'un zoom à taux de grossissement élevé est facile.

Rubrique PRESET SPEED (1 à 25)

Pendant la lecture des données de mémoire pré-réglées, cette rubrique permet de régler la vitesse de déplacement des positions pré-réglées sur l'un de 25 paliers au choix. Plus le paramètre est élevé, plus la vitesse de déplacement aux positions pré-réglées est rapide ; et inversement, plus le paramètre est petit, plus la vitesse de déplacement est lente.

Rubrique IRIS CONTROL (BOTH/RP400/CB400)

Lorsque le panneau de commande à distance AW-CB400 est raccordé au contrôleur AW-RP400, cette rubrique permet de régler le contrôleur à utiliser pour le réglage du diaphragme.

Au paramètre BOTH, le diaphragme se règle à la fois sur l'AW-RP400 et sur l'AW-CB400. Au paramètre RP400, il se règle uniquement sur l'AW-RP400 ; de la même manière, au paramètre CB400, il se règle uniquement sur l'AW-CB400.

Rubrique ROTATION SWITCH (ROTATION/FOCUS/ZOOM/IRIS)

Cette rubrique permet de sélectionner ROTATION, FOCUS, ZOOM ou IRIS comme fonction à contrôler avec la commande ROTATION.

Réglage des menus

Rubriques OPTION SWITCH A à H

(NOT USE / DEFROSTER / WIPER / HEATER/FAN / AUTO FOCUS / ND / OPTION / EXTENDER)

Il est possible d'assigner les fonctions suivantes aux commutateurs OPTION A à H. Des fonctions différentes peuvent être assignées aux têtes panoramiques.

- NOT USE:** La touche est désactivée.
- DEFROSTER:** Elle commande l'activation (ON) et la désactivation (OFF) de la fonction de dégivrage lors de l'utilisation d'un système de tête panoramique équipé de cette fonction.
Chaque fois qu'on appuie sur la touche, ON commute sur OFF et vice versa.
Quand la fonction de dégivrage est activée, le voyant de la touche à laquelle cette fonction a été assignée s'allume ; si elle est désactivée, le voyant s'éteint.
- WIPER:** Elle commande l'activation (ON) et la désactivation (OFF) de la fonction d'essuie-glace lors de l'utilisation d'un système de tête panoramique équipé de cette fonction.
Chaque fois qu'on appuie sur la touche, ON commute sur OFF et vice versa.
Quand la fonction d'essuie-glace est activée, le voyant de la touche à laquelle cette fonction a été assignée s'allume ; si elle est désactivée, le voyant s'éteint.
- HEATER/FAN:** Elle commande l'activation (ON) et la désactivation (OFF) de la fonction de chauffage/ventilateur lors de l'utilisation d'un système de tête panoramique équipé de cette fonction.
Chaque fois qu'on appuie sur la touche, ON commute sur OFF et vice versa.
Quand la fonction de chauffage/ventilateur est activée, le voyant de la touche à laquelle cette fonction a été assignée s'allume ; si elle est désactivée, le voyant s'éteint.
- OPTION:** Elle commande l'état de court-circuit et de circuit ouvert du connecteur OPTION CONTROL OUT de l'adaptateur secteur lors de l'utilisation d'un adaptateur secteur avec un système de tête panoramique équipé de la fonction de commande de commutateur OPTION.
Chaque fois qu'on appuie sur la touche, le court-circuit commute sur un circuit ouvert et vice versa.
En état de court-circuit, le voyant de la touche à laquelle cette fonction a été assignée s'allume ; en état de circuit ouvert, le voyant s'éteint.
- ND:** Elle commande l'activation (ON) et la désactivation (OFF) du filtre ND lors de l'utilisation d'un objectif équipé d'un filtre ND.
Chaque fois qu'on appuie sur la touche, ON commute sur OFF et vice versa.
Quand le filtre ND est activé, le voyant de la touche à laquelle cette fonction a été assignée s'allume ; s'il est désactivé, le voyant s'éteint.
- EXTENDER:** Elle commande l'activation (ON) et la désactivation (OFF) du multiplicateur lors de l'utilisation d'un objectif équipé de cette fonction.
Chaque fois qu'on appuie sur la touche, ON commute sur OFF et vice versa.
Quand le multiplicateur est activé, le voyant de la touche à laquelle cette fonction a été assignée s'allume ; s'il est désactivé, le voyant s'éteint.
- AF:** Elle commande l'activation (ON) et la désactivation (OFF) de la fonction de mise au point automatique lors de l'utilisation d'un objectif équipé de cette fonction.
Chaque fois qu'on appuie sur la touche, ON commute sur OFF et vice versa.
Quand la fonction de mise au point automatique est activée, le voyant de la touche à laquelle cette fonction a été assignée s'allume ; si elle est désactivée, le voyant s'éteint.

Rubrique MEMORY LENGTH (60s/120s/300s/600s)

Cette rubrique permet de régler la durée d'enregistrement des données de mémoire de tracé ainsi que le nombre de mémoires.

- 60s** : 60 secondes × 10 mémoires
- 120s** : 120 secondes × 5 mémoires
- 300s** : 300 secondes × 2 mémoires
- 600s** : 600 secondes × 1 mémoire

- S'il y a déjà des données dans une mémoire de tracé, il n'est pas possible de modifier le réglage de la durée d'enregistrement ni du nombre de mémoires. Pour réinitialiser un réglage, commencer par supprimer les données enregistrées dans la mémoire de tracé.

Rubrique CONTROL SELECT MODE (INTERLOCK/UN-INTERLOCK)

Cette rubrique permet de sélectionner la méthode de sélection de la tête panoramique et de la caméra lorsque le panneau de commande à distance AW-CB400 a été raccordé au contrôleur AW-RP400.

- INTERLOCK:** Si le système tête panoramique et caméra est sélectionné par l'AW-RP400 ou l'AW-CB400, le même système est également utilisé par l'autre appareil.
- UN-INTERLOCK:** Il est possible de sélectionner un autre système tête panoramique et caméra avec l'AW-RP400 et l'AW-CB400.

Réglage des menus

Rubrique MONITOR SELECT

Cette rubrique permet de sélectionner le contrôleur qui sert pour la commutation des images de la sortie MONITOR2 de l'AW-RC400 lorsqu'on raccorde le panneau de commande à distance AW-CB400 et un deuxième AW-RP400 à ce contrôleur AW-RP400 et qu'on utilise le compensateur de câble AW-RC400.

En réglant l'AW-RP400 maître et l'AW-RP400 asservi, les images de la caméra qui ont été sélectionnées avec le contrôleur donné dans le tableau ci-dessous sont envoyées comme sortie du moniteur de l'AW-RC400.

Réglage du menu de l'AW-RP400		AW-RC400	
Appareil maître	Appareil asservi	MONITOR1	MONITOR2
MON2 = CB400	MONITOR2 = réglage désactivé	RP400 maître	CB400 maître
MON2 = SLAVE	MONITOR2 = RP400	RP400 maître	RP400 asservi
	MONITOR2 = CB400	RP400 maître	CB400 asservi

Si le compensateur de câble est raccordé à l'AW-RP400 asservi, les images sélectionnées par l'AW-RP400 asservi sont envoyées à MONITOR1 de l'AW-RP400, et les images sélectionnées par l'AW-CB400 asservi sont envoyées à MONITOR2, quelque soit le réglage de ce paramètre.

Rubrique BUZER (OFF/ON)

Cette rubrique permet d'activer (ON) et de désactiver (OFF) l'avertisseur sonore interne du contrôleur. L'avertisseur sonore ne retentit pas au paramètre OFF.

L'avertisseur sonore retentit si l'on appuie sur la touche CALL ou qu'on commence, qu'on interrompt ou qu'on arrête une opération de la mémoire de tracé (enregistrement, lecture ou modification).

Rubrique AUTO RUN (START No., END No., INTERVAL)

Cette rubrique permet de répéter automatiquement les préréglages de la tête panoramique.

- START No. (1 à 50):** Règle le premier numéro du préréglage à répéter.
- END No. (1 à 50):** Règle le dernier numéro du préréglage à répéter.
- INTERVAL (1s à 30s):** Règle le temps d'arrêt de la position préréglée.
Il est possible de régler un maximum de 30 secondes par paliers d'une seconde pour le temps d'arrêt.
- OPERATE (STOP/RUN):** Si l'on sélectionne RUN, les préréglages de START No. à END No. sont lus de façon répétée ; si l'on sélectionne STOP, l'opération s'arrête.
Si l'on actionne le levier PAN/TILT, STOP est automatiquement sélectionné, et l'opération s'arrête.

Rubrique SD CARD

Il est possible de mémoriser les données de réglage des menus, les données des mémoires de préréglage des têtes panoramiques et les données de réglage des caméras sur des cartes mémoire SD.

Si l'on appuie sur la touche MENU pendant que STORE est affiché, les données de réglage s'enregistrent sur la carte mémoire SD.

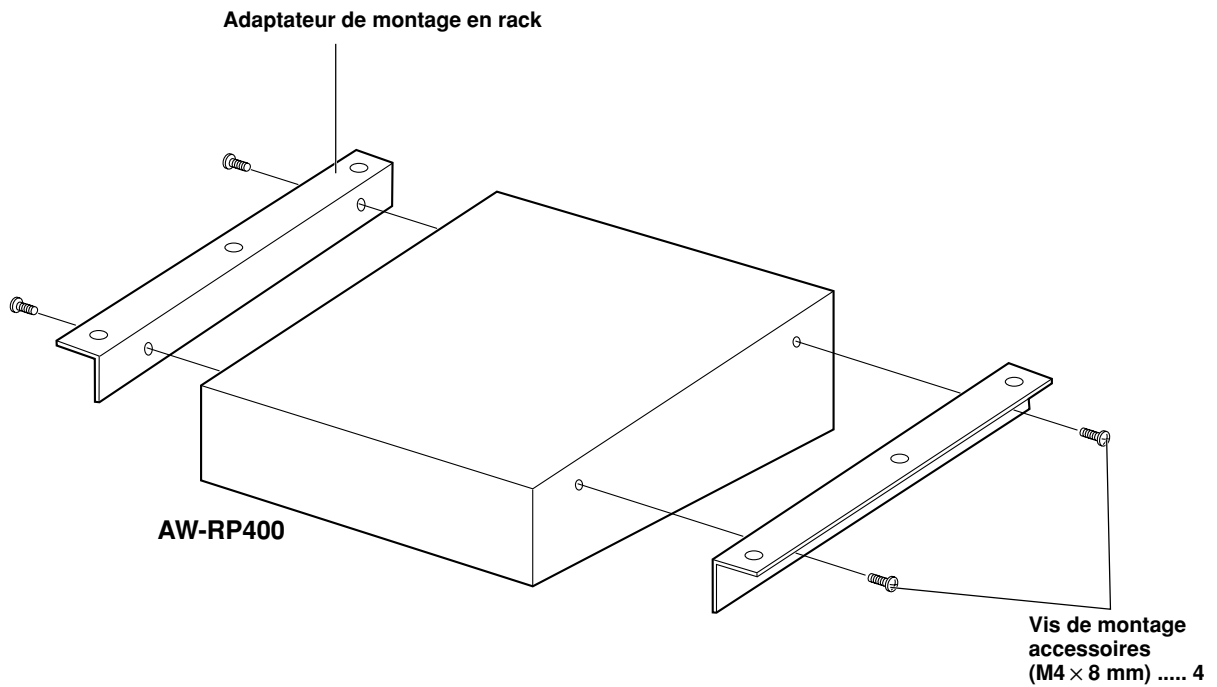
Si l'on appuie sur la touche MENU pendant que LOAD est affiché, les données enregistrées sur la carte mémoire SD sont rappelées, et les réglages sont chargés dans le contrôleur, les têtes panoramiques et les caméras.

- Les données de la mémoire de tracé ne s'enregistrent pas.

Exemple de montage en rack

■ Montage de l'AW-RP400 dans un rack

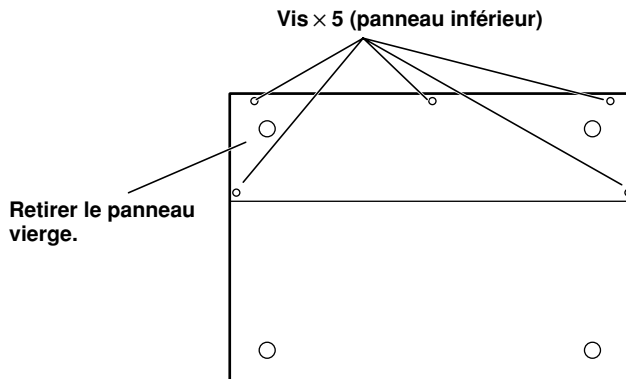
- ① Fixer les adaptateurs de montage en rack à l'aide des vis de montage accessoires (M4 × 8 mm).



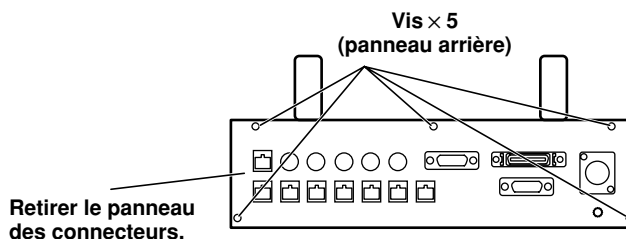
Exemple de montage en rack

■ Modification du sens de montage du panneau des connecteurs

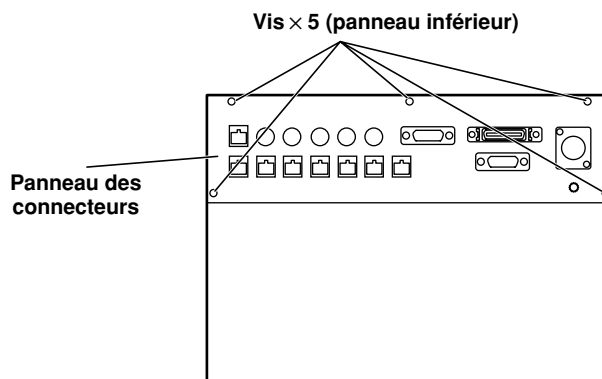
- ① Retirer les cinq vis du panneau inférieur, et retirer le panneau vierge.



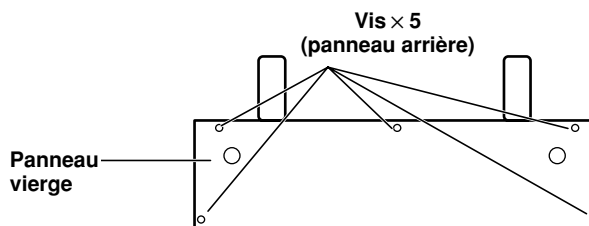
- ② Retirer les cinq vis du panneau arrière, et retirer le panneau des connecteurs.



- ③ Fixer le panneau des connecteurs au panneau inférieur à l'aide des vis.



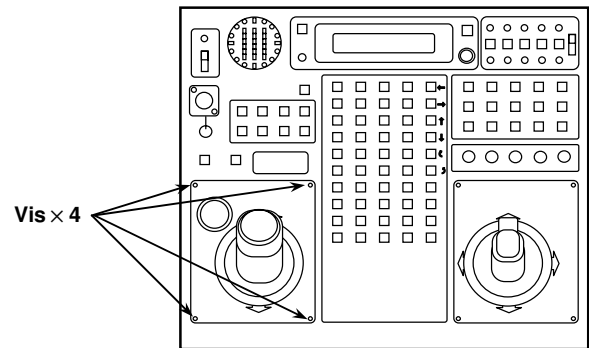
- ④ Fixer le panneau vierge au panneau arrière à l'aide des vis.



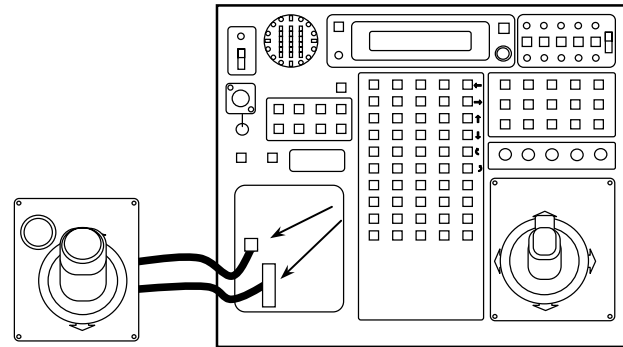
Exemple de montage en rack

■ Remplacement du commutateur de zoom

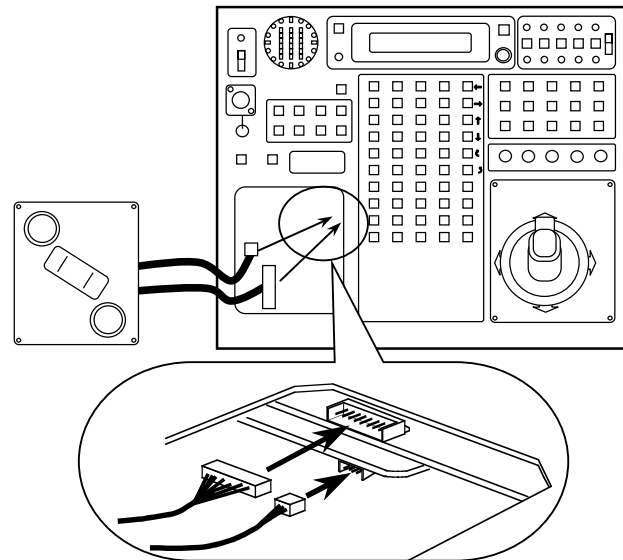
① Retirer les quatre vis de fixation du levier de zoom.



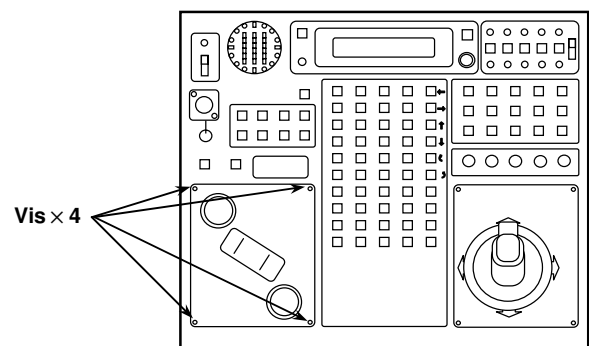
② Sortir le levier de zoom, débrancher les deux câbles de la carte de circuits interne, et retirer le levier de zoom.



③ Brancher les deux câbles qui partent du levier de zoom dans les connecteurs de la carte de circuits interne.



④ Fixer le commutateur de zoom à l'aide des quatre vis.



Remplacement des consommables

Les manettes et le commutateur de zoom sont des consommables.

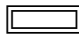
Les remplacer s'ils ne fonctionnent pas correctement.

Confier le travail de remplacement à son revendeur.

Fiche technique

Tension d'alimentation: 10,8 V CC à 16 V CC

Consommation: Environ 11 W

 Informations concernant la sécurité.

Connecteurs d'entrée

DC 12V IN: XLR, 4 broches
 CONTROL IN FROM ROP: D-SUB 15 broches, câble fourni avec le panneau de commande à distance AW-CB400
 CONTROL IN FROM RCB: Connecteur rond à 10 broches, câble fourni avec le WV-CB700A
 EXT CONT IN: RJ45, entrée de signal de commande de l'AW-RP400 supplémentaire ; câble droit 10BASE-T (UTP catégorie 5), 500 mètres max.
 REMOTE: Connecteur D-SUB 50 broches, entrée de commande externe, AW-CA50T9

Connecteurs de sortie

CONTROL OUT TO PAN/TILT HEAD: RJ45, sortie de signal de commande de tête panoramique ; câble droit 10BASE-T (UTP catégorie 5), 500 mètres max.
 MONI SEL OUT: RJ45, sortie de signal de commutation de moniteur ; câble droit 10BASE-T (UTP catégorie 5), 50 mètres max.
 EXT CONT OUT: RJ45, sortie de signal de commande d'AW-RP400 supplémentaire ; câble droit 10BASE-T (UTP catégorie 5), 500 mètres max.

Connecteurs d'entrée/sortie

INCOM (panneau supérieur): XLR, 4 broches
 TALLY/INCOM: D-SUB, 15 broches
 TALLY: Entrée de contact (Ne pas appliquer de tension supérieure à 5 V à ce connecteur.)
 INCOM: Système à 4 fils

Fonctions de commutation:

Commutation maître/asservi, commande OPERATE, position d'origine, commutateur de menu/limite, opérations des fonctions optionnelles, sélection des têtes panoramiques, commutation AUTO/MANU/LOCK pour le diaphragme, opérations des données de mémoire de pré réglage, opérations des données de mémoire de tracé, appel

Fonctions de réglage:

Contraste de l'écran LCD, niveau INCOM, diaphragme, zoom, mise au point, rotation des têtes panoramiques, vitesse de zoom, vitesse de mise au point, vitesse de déplacement horizontal, vitesse de déplacement vertical, vitesse de rotation, réglage des menus

Température de fonctionnement ambiante:

-10°C à +45°C

Température de rangement:

-20°C à +60°C

Humidité de fonctionnement ambiante:

30% à 90% (pas de condensation)

Dimensions (L × H × P):

320 × 85 × 266 mm

Poids:

Environ ?? kg

Finition:

Coloris approchant le Munsell 3.5

Les poids et les dimension sont approximatifs.

Les spécifications sont sujettes à modifications sans préavis.

Introduction

- L'AW-RC400 est capable de fournir une compensation de câble aux signaux analogiques composites, analogiques Y/C ou analogiques à composantes dans cinq canaux jusqu'à 500 mètres (lors de l'utilisation d'un câble de raccordement 5C-2V ou d'un câble équivalent).
- Il possède une fonction d'avance de 5 μ s pour les signaux de synchronisation afin de fournir un support facile pour un système (un autre compensateur de câble sera nécessaire) dans lequel le câble coaxial raccordé entre ce compensateur de câble AW-RC400 et la caméra mesure plus de 500 mètres de long.

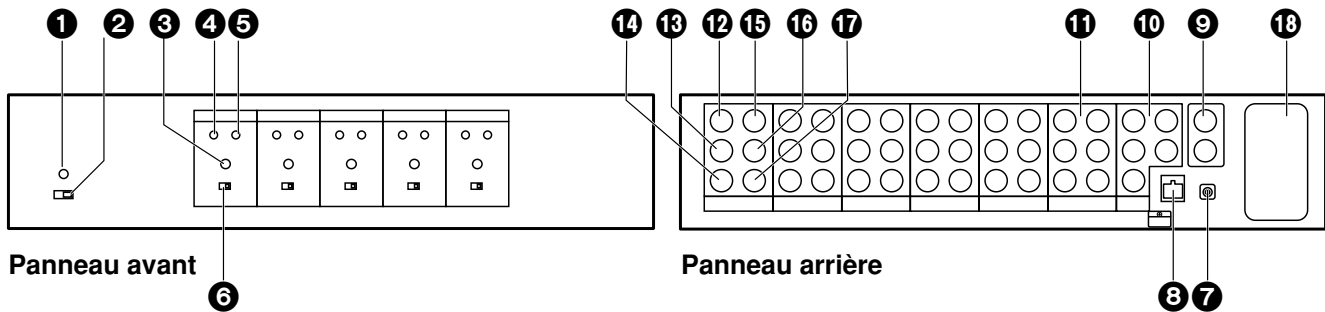
REMARQUE

- Acheminer soit des signaux de synchronisation au connecteur d'entrée de signal de synchronisation du compensateur de câble AW-RC400, soit des signaux d'entrée vidéo à l'un des canaux vidéo (signaux d'entrée composites ou signaux Y avec synchronisation au connecteur d'entrée vidéo 1). Si aucun de ces signaux n'est envoyé, la commande de sélection du moniteur ne sera pas possible.
- Le contrôleur AW-RP400 fournit une compensation de câble pour les trois canaux de signal Y, Pr et Pb au moyen d'une seule commande. Cela veut dire qu'il n'est pas possible de régler les signaux Y, Pr et Pb séparément. De la même façon, il n'est pas possible de régler séparément les signaux Y et C.
- L'AW-RC400 est un compensateur de câble et, à ce titre, il ne possède pas de fonctions de conversion de signal (pour la conversion des signaux à composantes en signaux composites par exemple).
- Lorsque le compensateur de câble doit être mis au rebut à la fin de sa durée de vie, confier cette opération à un service spécialisé afin de protéger l'environnement.

Accessoires

Adaptateurs de montage en rack	2
Vis de montage (M4 \times 8 mm)	4

Les commandes et leurs fonctions



1 LED d'alimentation

Elle s'allume en vert lorsque l'interrupteur d'alimentation POWER (2) est réglé sur ON et qu'une tension CC de 12 V est appliquée à la prise DC 12V IN (7).

2 Interrupteur d'alimentation (POWER)

Le régler sur ON pour mettre le compensateur de câble sous tension. Une partie des circuits d'alimentation continue à fonctionner lorsqu'on met l'interrupteur sur la position OFF. Pour couper complètement l'alimentation, débrancher l'adaptateur secteur.

3 Commutateurs de réglage de longueur de câble [0 à 5]

Régler ces commutateurs en fonction de la longueur du câble coaxial raccordé. Utiliser [0] pour fournir la compensation de câble minimale, et [5] pour la compensation maximale. À titre indicatif, régler sur [1] si le câble coaxial mesure 100 mètres de long, et sur [2] s'il mesure de 200 mètres de long.

4 Potentiomètre de niveau Y (Y LEVEL)

Il permet de régler le niveau des signaux de sortie de compensation du câble (sortie vidéo).

5 Commande de réponse en fréquence (F RESPONSE)

Elle permet de régler la valeur de compensation du câble (compensation de la réponse en fréquence) pour les signaux de sortie de compensation de câble.

6 Sélecteur court/long (SHORT/LONG)

Normalement, le régler sur la position SHORT. Le régler sur LONG si le câble coaxial de la caméra est long et que la plage de réglage de synchronisation de la caméra est insuffisante, ou si le compensateur de câble est utilisé dans un système (un autre compensateur de câble sera nécessaire) dans lequel le câble coaxial (5C-2V ou équivalent) raccordé à la caméra mesure plus de 500 mètres.

7 Prise DC 12V IN

C'est la prise d'entrée d'alimentation. Y raccorder l'adaptateur secteur AW-PS301 (vendu séparément).

8 Connecteur MONI SEL IN

C'est à ce connecteur que sont envoyés les signaux de commande pour la sélection de la sortie des signaux vidéo au connecteur MONITOR1 ou 2. Le raccorder au connecteur MONI SEL OUT du contrôleur AW-RP400 à l'aide d'un câble droit 10BASE-T (équivalent à UTP catégorie 5). Il est alors possible d'envoyer les signaux vidéo de la caméra sélectionnée par l'AW-RP400, ou par le panneau de commande à distance AW-CB400 raccordé à l'AW-RP400, au connecteur MONITOR1 ou MONITOR2.

9 Connecteurs G/L IN

C'est ici qu'arrivent les signaux de synchronisation (signaux de noir codé). Ces connecteurs sont automatiquement terminés en interne par une résistance de 75 ohms. Le connecteur du haut et celui du bas ont les mêmes spécifications, et l'on peut raccorder les signaux indifféremment à l'un ou à l'autre. La terminaison est libérée si l'on raccorde des câbles BNC aux deux connecteurs d'entrée (lorsqu'ils sont utilisés dans une configuration en boucle).

10 Connecteurs G/L OUT [1 à 5]

Il est possible de répartir et d'envoyer les signaux genlock acheminés au connecteur G/L IN à cinq caméras.

Utiliser les sorties de signal de synchronisation 1 à 5 de façon à les faire correspondre aux canaux de signal vidéo 1 à 5.

Les signaux du connecteur de sortie de signal de synchronisation 1 sont envoyés à la caméra raccordée au connecteur d'entrée vidéo 1.

Les commandes et leurs fonctions

11 Connecteurs MONITOR1, 2

Les signaux vidéo des caméras sélectionnées par le contrôleur de tête panoramique AW-RP400 ou par le panneau de commande à distance AW-CB400 raccordé au AW-RP400 sont envoyés par ces connecteurs.

Les signaux de sortie sont des signaux avec compensation de câble du même type que les signaux d'entrée. Par exemple, si l'on sélectionne un canal auquel sont envoyés des signaux composites, ces signaux composites seront envoyés après avoir subi une compensation de câble.

12 Connecteurs Y/VIDEO IN [1 à 5]

C'est à ces connecteurs que sont acheminés les signaux vidéo analogiques. Ils sont terminés en interne par une résistance de 75 ohms. Les signaux reçus sont soit des signaux Y (signaux à composantes ou signaux Y des signaux Y/C avec synchronisation), soit des signaux VIDEO (composites).

13 Connecteurs Pr/C IN [1 à 5]

C'est à ces connecteurs que sont acheminés les signaux vidéo analogiques. Ils sont terminés en interne par une résistance de 75 ohms. Les signaux reçus sont soit des signaux Pr (R-Y parmi les signaux à composantes), soit des signaux C (C des signaux Y/C).

14 Connecteurs Pb IN [1 à 5]

C'est à ces connecteurs que sont acheminés les signaux vidéo analogiques. Ils sont terminés en interne par une résistance de 75 ohms. Les signaux reçus sont des signaux Pb (B-Y parmi les signaux à composantes).

15 Connecteurs Y/VIDEO OUT [1 à 5]

C'est par ces connecteurs que sont envoyés les signaux vidéo analogiques. Les signaux qui sont envoyés sont des signaux Y ou VIDEO composites ayant subi une compensation de câble et qui sont conformes aux signaux d'entrée. Si les signaux acheminés aux connecteurs Y/VIDEO IN [1 à 5] sont des signaux Y à composantes, les signaux qui sont envoyés sont des signaux Y, et si les signaux acheminés sont des signaux composites, les signaux composites sont envoyés.

16 Connecteurs Pr/C OUT [1 à 5]

C'est par ces connecteurs que sont envoyés les signaux vidéo analogiques. Les signaux qui sont envoyés sont des signaux Pr ou C ayant subi une compensation de câble et qui sont conformes aux signaux d'entrée. Si les signaux acheminés aux connecteurs Pr/C IN [1 à 5] sont des signaux Pr, les signaux qui sont envoyés sont des signaux Pr, et si les signaux acheminés sont des signaux C, les signaux C sont envoyés.

17 Connecteurs Pb OUT [1 à 5]

C'est par ces connecteurs que sont envoyés les signaux vidéo analogiques. Les signaux qui sont envoyés sont des signaux Pb ayant subi une compensation de câble et qui sont conformes aux signaux d'entrée. Si les signaux acheminés aux connecteurs Pb IN [1 à 5] sont des signaux Pb, les signaux qui sont envoyés sont des signaux Pb.

18 Espace de rangement de l'adaptateur secteur

Il est possible de ranger l'adaptateur secteur ici quand la température ambiante de l'endroit où le compensateur de câble est installé est inférieure à 30°C. Retirer les deux vis, et retirer le couvercle de l'espace de rangement. Sortir l'adaptateur secteur AW-PS301, et le ranger pour que le câble ne subisse pas de contrainte. Si la température ambiante dépasse 30°C, l'adaptateur secteur sera endommagé, auquel cas il ne faudra pas le ranger dans cet espace de rangement.

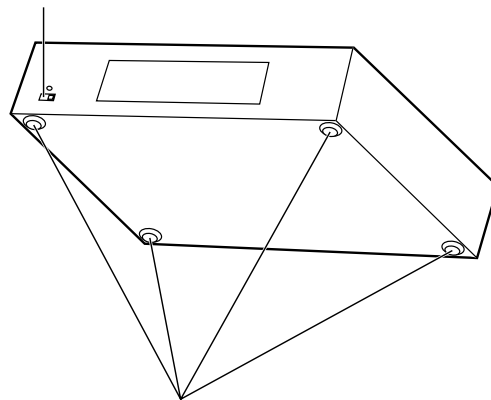
Exemple de montage en rack

■ Montage de l'AW-RC400 dans un rack

Utiliser les adaptateurs de montage en rack accessoires et les vis de montage accessoires (M4 × 8 mm) pour installer l'appareil dans un rack.

- ① Appuyer sur l'interrupteur POWER pour mettre l'appareil hors tension.
- ② Retirer les quatre pieds sur le fond de l'appareil.

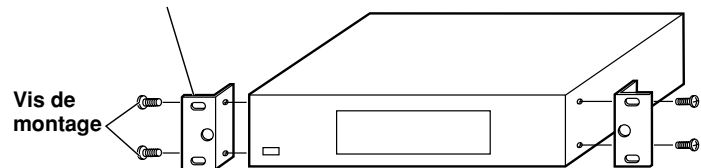
Interrupteur POWER



Retirer les quatre pieds.

- ③ Placer les adaptateurs de montage en rack aux deux extrémités de l'appareil, et fixer l'appareil à l'aide des quatre vis de montage.

Adaptateur de montage en rack




Vis de montage

Fiche technique

Tension d'alimentation: 10,8 V CC à 16 V CC

Consommation: Environ 9 W

 Informations concernant la sécurité.

Connecteurs d'entrée

DC 12V IN:	Pour le raccordement de l'adaptateur secteur accessoire (AW-PS301)
G/L IN:	BNC × 2, terminaison automatique par résistance de 75 ohms, sortie en boucle, noir codé
VIDEO/Y, Pr/C, Pb:	BNC × 3 (5 jeux), terminaison de 75 ohms Composites 1 Vc-c Y/C Y: 1 Vc-c (avec synchronisation) C: 0,286 V (salve) Composantes Y: 1 Vc-c (avec synchronisation) Pr, Pb: 0,7 Vc-c
MONI SEL IN:	RJ45 Câble de raccordement : Câble droit 10BASE-T(UTP catégorie 5), 50 mètres max.

Connecteurs de sortie

G/L OUT:	BNC × 5, sortie 75 ohms, câble de raccordement 5C-2V, 1 000 mètre max.
VIDEO/Y, Pr/C, Pb:	BNC × 3 (5 jeux), sortie 75 ohms Composites 1 Vc-c Y/C Y: 1 Vc-c (avec synchronisation) C: 0,286 V (salve) Composantes Y: 1 Vc-c (avec synchronisation) Pr, Pb: 0,7 Vc-c (Un réglage de compensation de câble est nécessaire.)
MONITOR OUT1/2:	BNC × 3 (2 jeux), sortie 75 ohms

Fonctions des commutateurs et de réglage:

Mise sous/hors tension ; réglage de longueur de câble 0/1/2/3/4/5 ; réglage du signal de synchronisation SHORT/LONG ; réglage de la valeur de compensation du câble ; réglage du niveau vidéo

Température de fonctionnement ambiante:

0°C à +40°C

Température de rangement:

-20°C à +60°C

Humidité de fonctionnement ambiante:

30% à 90% (pas de condensation)

Dimensions (L × H × P):

420 × 250 × 88 mm

Poids:

Environ 3.7 kg

Finition:

Revêtement ivoire AV (coloris approchant le Munsell 7.9Y6.8/0.8)

Les poids et les dimension sont approximatifs.

Les spécifications sont sujettes à modifications sans préavis.

Introduction

- Le module de rotation AW-RL400 permet de faire pivoter une caméra lorsqu'elle est utilisée en association avec la tête panoramique intérieure AW-PH400.

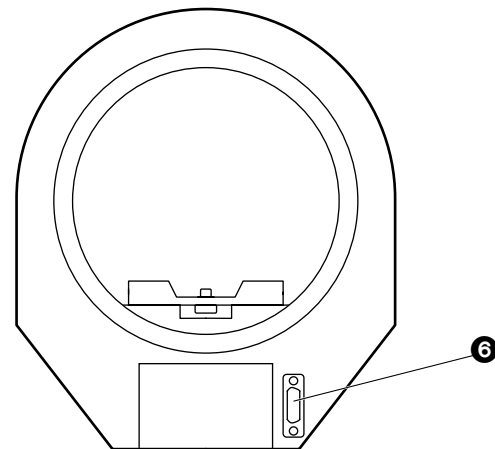
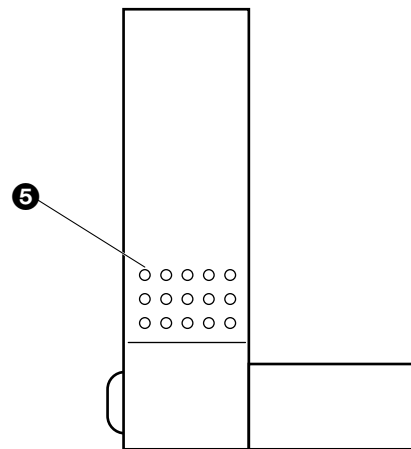
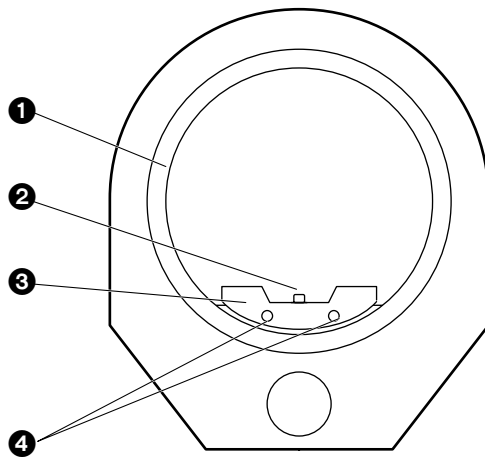
REMARQUE

- Comme le module de rotation provoque la rotation de la caméra, l'utilisateur devra veiller à ce que le câble de la caméra et le câble de l'objectif ne s'enchevêtrent pas lors du fonctionnement du module de rotation.
- Lorsque le module de rotation doit être mis au rebut à la fin de sa durée de vie, confier cette opération à un service spécialisé afin de protéger l'environnement.

Accessoires

Câble de raccordement de tête panoramique	1
Vis de montage (M4 × 8 mm)	3

Les commandes et leurs fonctions



1 Bague rotative

2 Vis de montage de caméra (U1/4"-20UNC)

Après le montage de la caméra, serrer cette vis à fond.

3 Plaque de montage de caméra

Monter la caméra sur cette plaque à l'aide des vis de montage de caméra.

4 Vis d'ancrage de plaque de montage de caméra

Après avoir monté la caméra sur la plaque de montage de caméra, l'arrimer au module de rotation à l'aide de ces vis.

5 Orifices de vis d'ancrage de module de rotation

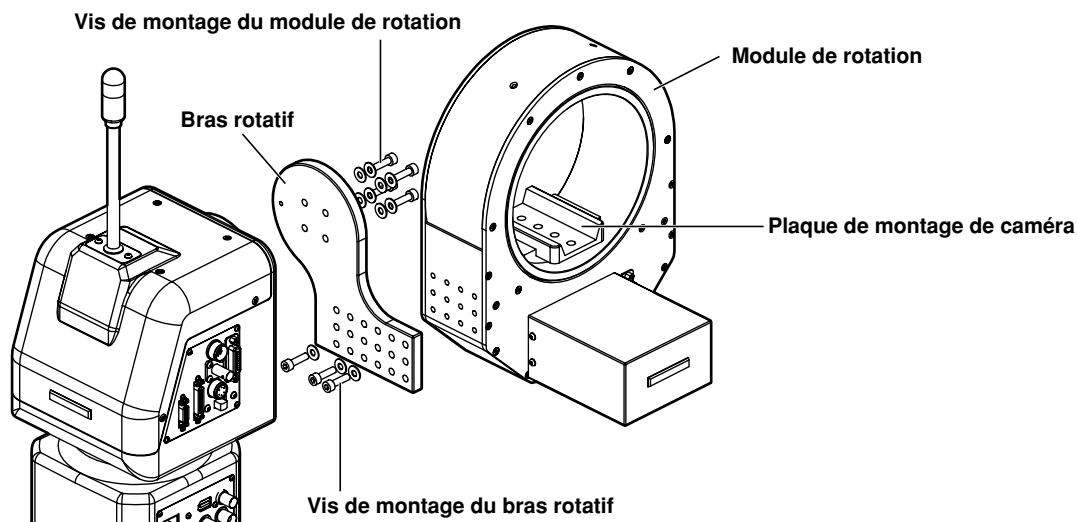
C'est ici que se fixe le module de rotation au bras rotatif de la tête panoramique.

6 Connecteur de tête panoramique

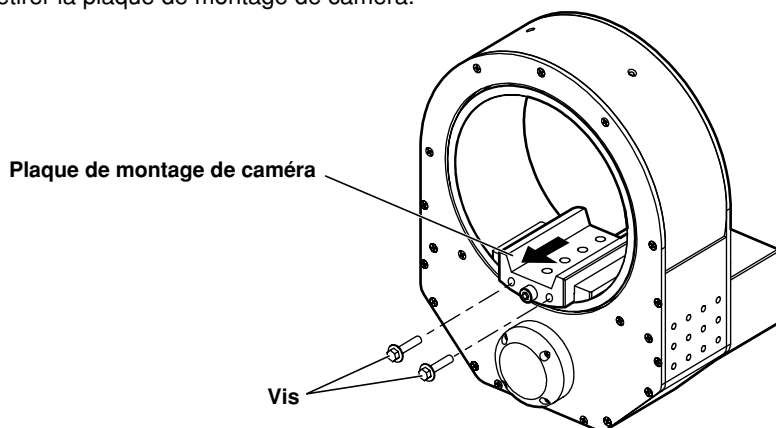
Le raccorder au connecteur OPTION de la tête panoramique à l'aide du câble de raccordement de tête panoramique fourni.

Installation

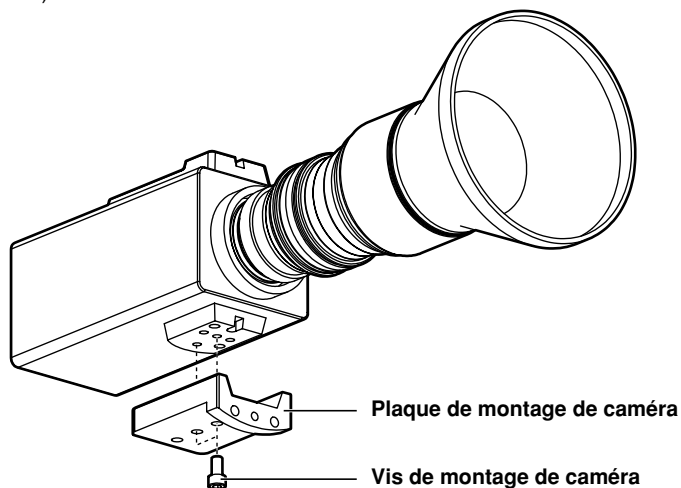
- ① Fixer le bras rotatif de la tête panoramique sur le module de rotation à l'aide des trois vis accessoires (M4 × 8 mm, avec rondelles plates.)
- ② Fixer le bras rotatif à la tête panoramique à l'aide des vis de montage du bras rotatif (M5 × 20 mm, avec rondelles plates, accessoires de la tête panoramique).



- ③ Desserrer les deux vis de la plaque de montage de caméra qui est déjà installée dans le module de rotation. Ensuite, retirer la plaque de montage de caméra.

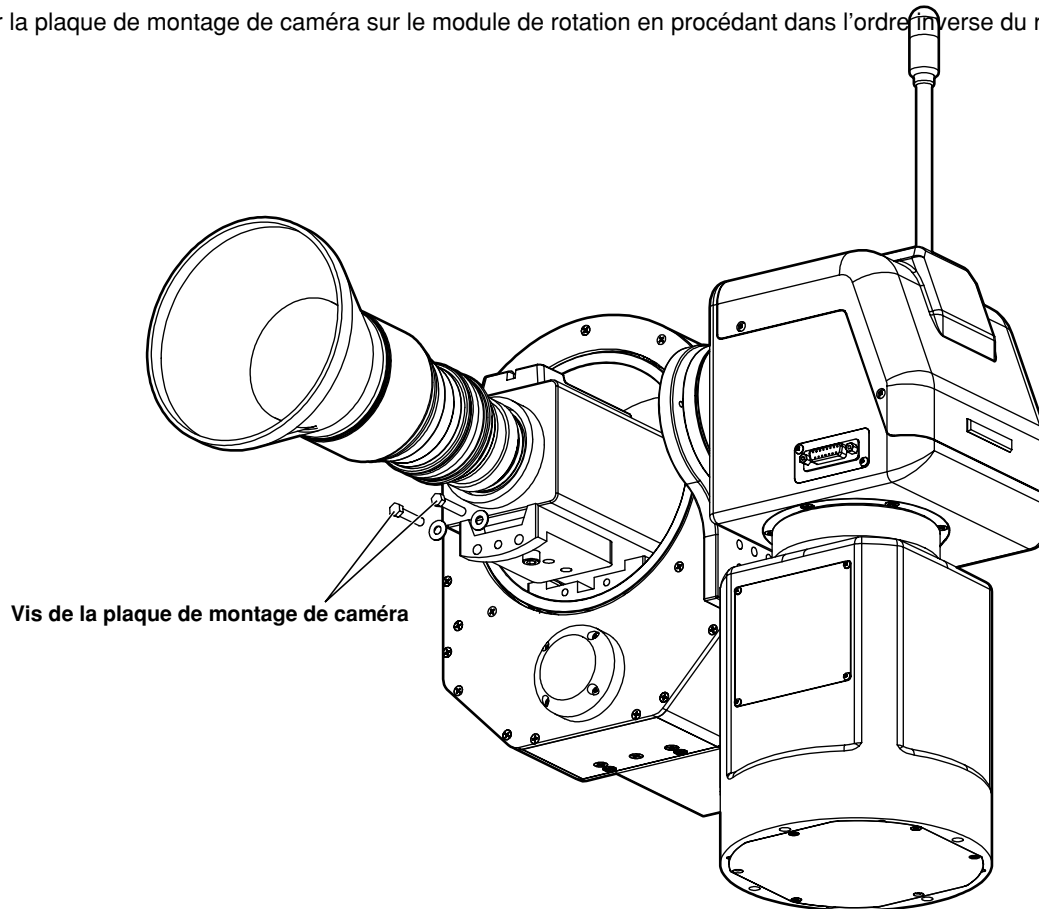


- ④ Fixer la plaque de montage de caméra (qui a été retirée au point ③) sur la caméra à l'aide des deux vis de montage de caméra (accessoires de la caméra).



Installation

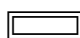
- ⑤ Fixer la plaque de montage de caméra sur le module de rotation en procédant dans l'ordre inverse du retrait, au point ③.



Fiche technique

Tension d'alimentation: 24 V CC

Consommation: Environ 24 W

 Informations concernant la sécurité.

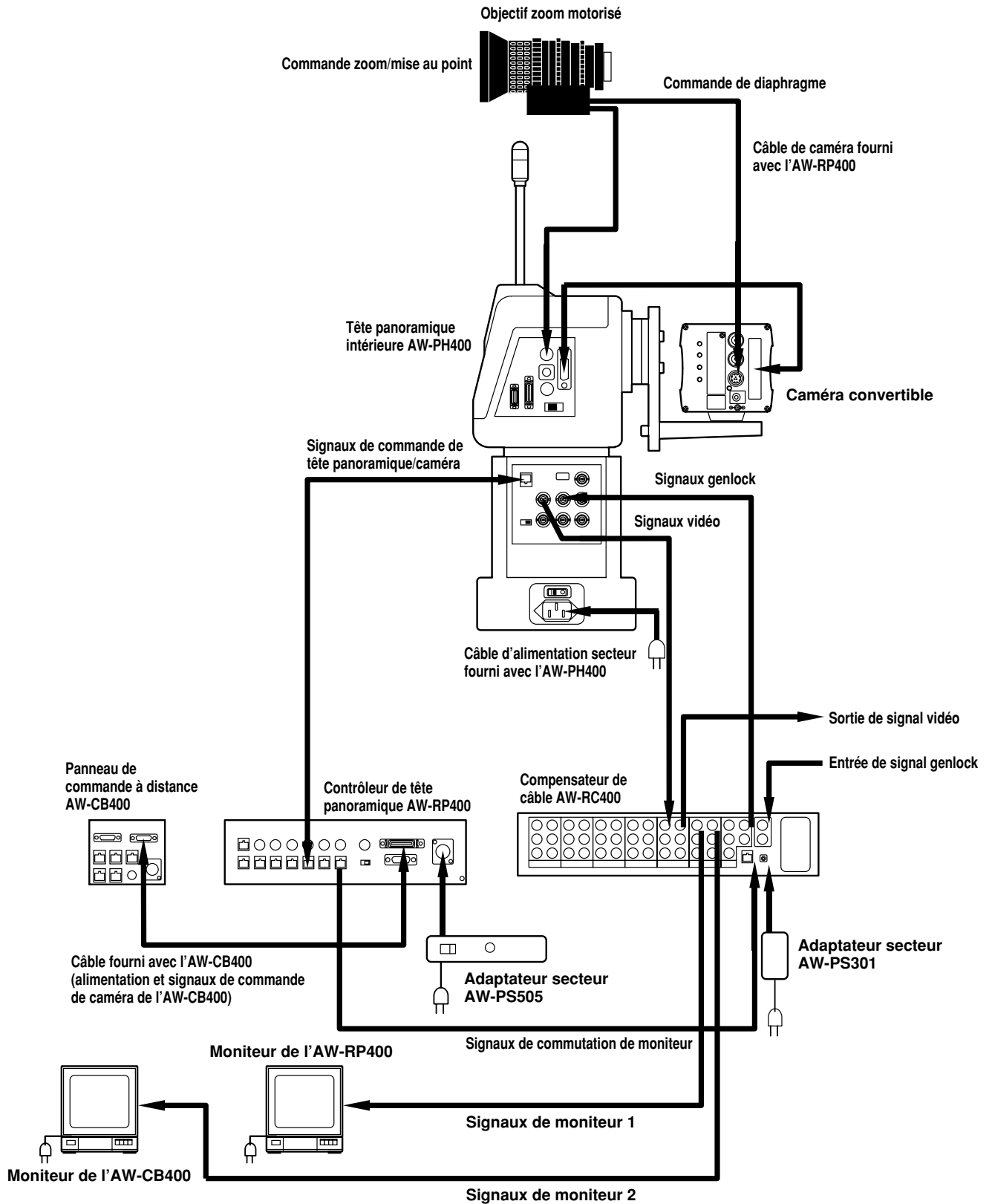
Connecteur de tête panoramique:	Se raccorde à la tête panoramique à l'aide du câble fourni.
Performances:	<p>Capacité de support de charge maximale : 4 kg</p> <p>Plage de rotation : 380 degrés (environ ± 190 degrés)</p> <p>Vitesse de fonctionnement maximale : 60 degrés/seconde</p> <p>Répétabilité : Inférieure à ± 1 degré</p> <p>Niveau de bruit: Inférieur à ???</p>
Température de fonctionnement ambiante:	0°C à +40°C
Température de rangement:	-20°C à +60°C
Humidité de fonctionnement ambiante:	30% à 90% (pas de condensation)
Dimensions (L x H x P):	205 x 198 x 260 mm
Poids:	Environ 3.9 kg
Finition:	Revêtement ivoire AV (coloris approchant le Munsell 7.9Y6.8/0.8)

Les poids et les dimension sont approximatifs.
Les spécifications sont sujettes à modifications sans préavis.

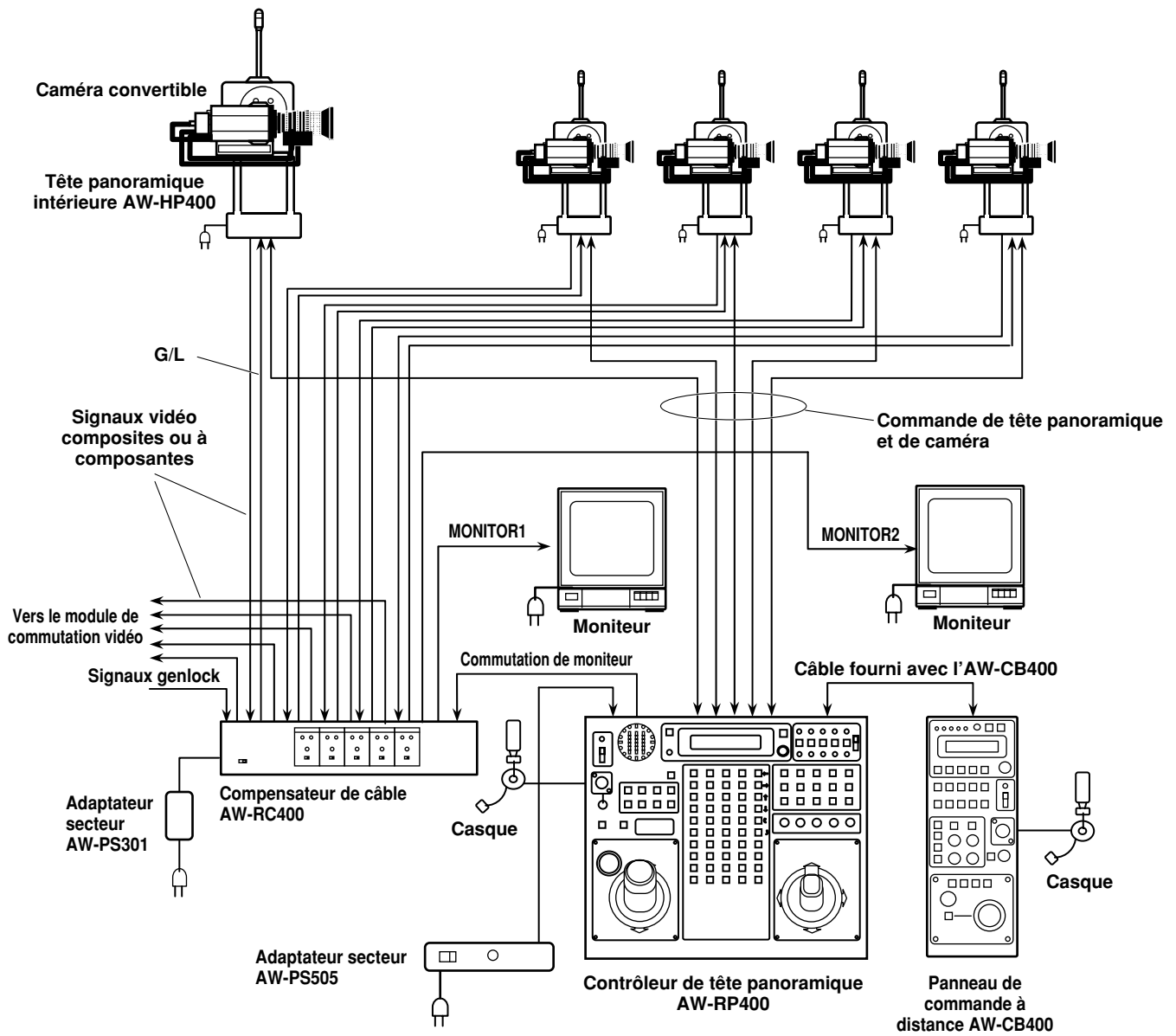
Raccordements

- Mettre tous les appareils hors tension avant de procéder aux raccordements.
- Utiliser l'AW-PS505 comme adaptateur secteur pour le contrôleur de tête panoramique AW-RP400. Utiliser le câble CC fourni avec l'AW-PS505 pour raccorder la prise DC 12V IN de l'AW-RP400 à la prise DC 12V OUT de l'AW-PS505.
- Raccorder le câble d'alimentation secteur fourni avec l'AW-PH400 pour la tête panoramique intérieure AW-PH400.
- Utiliser l'adaptateur secteur fourni avec l'AW-RC400 pour le compensateur de câble AW-RC400.
- Raccorder les connecteurs IP/RP des têtes panoramiques aux connecteurs CONTROL OUT TO PAN/TILT HEAD (1 à 5) de l'AW-RP400 à l'aide de câbles droits 10BASE-T. La distance de rallonge maximale est de 500 mètres lorsqu'on utilise des câbles UTP catégorie 5 ou leur équivalent.
- Raccorder l'AW-PH400 à la caméra convertible à l'aide des câbles de caméra fournis avec la tête panoramique. La tête panoramique est également livrée avec un câble pour signaux composites, un câble pour cartes IEEE 1394 et un câble pour cartes WEB. Sélectionner le câble de caméra correspondant à l'application.
- Raccorder le câble de commande de diaphragme de l'objectif motorisé au connecteur IRIS de la caméra, et raccorder le câble de zoom/mise au point au connecteur LENS I/F de la tête panoramique.
- Utiliser soit le panneau de commande à distance AW-CB400, soit le boîtier de commande à distance WV-CB700A pour la commande de caméra. Il n'est pas possible d'utiliser simultanément l'AW-CB400 et le WV-CB700A.
- Lors de l'utilisation de l'AW-CB400, raccorder le connecteur CAMERA CONTROL IN FROM RCP de l'AW-RP400 au connecteur I/F CONNECTOR de l'AW-CB400 à l'aide du câble (10 mètres) fourni avec l'AW-CB400. Il est possible de commander cinq caméras via l'AW-CB400. L'alimentation est fournie de l'AW-RP400 à l'AW-CB400 via ce câble, de sorte qu'il ne sera pas nécessaire de raccorder l'adaptateur secteur à l'AW-CB400.
- Lors de l'utilisation du WV-CB700A, utiliser les câbles RCB (2) fournis avec le WV-CB700A pour raccorder les connecteurs CAMERA CONTROL IN FROM RCB (1 à 5) de l'AW-RP400 aux connecteurs RCB du WV-CB700A. Il n'est possible de commander qu'une seule caméra avec le WV-CB700A. Si l'on veut commander plusieurs caméras, il faudra prévoir un WV-CB700A pour chaque caméra. Il faudra également faire correspondre le numéro des connecteurs CONTROL OUT TO PAN/TILT HEAD raccordés aux caméras à commander aux connecteurs CAMERA CONTROL IN FROM RCB utilisés pour le raccordement du WV-CB700A.
- Utiliser un câble droit 10BASE-T pour raccorder le connecteur MONI SEL OUT de l'AW-RP400 au connecteur MONI SEL IN de l'AW-RC400. La distance de rallonge maximale est de 50 mètres lorsqu'on utilise un câble UTP catégorie 5 ou un câble équivalent. Le raccordement de ces connecteurs MONI SEL permettra d'envoyer les signaux vidéo de la caméra sélectionnée avec l'AW-RP400 par le connecteur MONITOR1 et les signaux vidéo de la caméra sélectionnée avec l'AW-CB400 par le connecteur MONITOR2. Si l'on utilise le WV-CB700A, il n'est pas possible de commuter sur MONITOR2.
- Utiliser un câble coaxial pour raccorder l'AW-RC400 à l'AW-PH400.
- Envoyer les signaux genlock d'un appareil, par exemple un générateur de signal, au connecteur G/L IN de l'AW-RC400, et raccorder les connecteurs G/L OUT (1 à 5) de l'AW-RC400 aux connecteurs G/L IN des têtes panoramiques.
- Si l'on utilise des signaux composites, raccorder les connecteurs VIDEO des têtes panoramiques aux connecteurs Y/VIDEO (1 à 5) de l'AW-RC400.
- Raccorder également les connecteurs Y/VIDEO OUT de l'AW-RC400 aux modules de commutation vidéo ou aux moniteurs.
- Si l'on utilise les signaux Y/C, raccorder les connecteurs Y et les connecteurs Pr/C des têtes panoramiques aux connecteurs Y/VIDEO et aux connecteurs Pr/C de l'AW-RC400, respectivement. Raccorder également les connecteurs Y/VIDEO OUT et les connecteurs Pr/C de l'AW-RC400 aux modules de commutation vidéo ou aux moniteurs.
- Si l'on utilise les signaux à composantes, raccorder le connecteur Y, le connecteur Pr/C et le connecteur Pb de la tête panoramique au connecteur Y/VIDEO, au connecteur Pr/C et au connecteur Pb du compensateur de câble, respectivement. Raccorder également les connecteurs Y/VIDEO OUT, les connecteurs Pr/C et les connecteurs Pb de l'AW-RC400 aux modules de commutation vidéo ou aux moniteurs.

Raccordements



Exemple de configuration du système



Procédures de fonctionnement

■ Mise sous tension

- ① Si l'on utilise un seul AW-RP400, mettre son commutateur EXT CONT [M/S] sur la position [M].
- ② Mettre l'appareil sous tension.
Tour d'abord, mettre l'interrupteur d'alimentation de l'adaptateur secteur de l'AW-RP400 et l'interrupteur d'alimentation de l'AW-PH400 sur ON, puis mettre l'interrupteur OPERATE de l'AW-RP400 sur ON.

■ Réglage de la plage de déplacement (limites) de la tête panoramique intérieure AW-PH400

S'il y a des objets qui font obstacle au déplacement de la tête panoramique intérieure AW-PH400 dans le voisinage immédiat, régler des restrictions à la plage de déplacement (limites : limites de rotation gauche, droite, supérieure et inférieure).

Si le module de rotation AW-RL400 est raccordé à l'AW-RP400, régler également les limites de déplacement (sens des aiguilles d'une montre et sens inverse des aiguilles d'une montre) du module de rotation.

Il faudra impérativement régler ces limites avant d'utiliser ces appareils.

- Quand elle quitte nos usines, l'AW-PH400 est réglée pour une installation sur pied ou sur socle. Si on veut l'accrocher au plafond, il faudra impérativement régler le commutateur de sens de montage. Si ce réglage n'est pas effectué correctement, les directions des têtes panoramiques seront inversées, et les réglages de la plage de déplacement (limites) de la tête panoramique ne s'enregistreront pas correctement dans la mémoire. Pour les détails sur les méthodes de réglage et les informations connexes, voir la section "Réglage du commutateur de sens de montage" de l'AW-PH400.

Maintenant, procéder aux réglages du contrôleur de tête panoramique AW-RP400.

- ① Sélectionner la tête panoramique dont on souhaite régler la plage de déplacement (limites) avec les touches CONTROL SELECT.
- ② Pour régler la limite gauche, utiliser le levier PAN/TILT pour faire pivoter la tête panoramique jusqu'à la limite gauche que l'on souhaite régler.
Tout en maintenant la touche MENU/LIMIT enfoncée, appuyer sur la touche PRESET MEMORY [5].
Quand la limite est réglée, le voyant de la touche PRESET MEMORY [45] s'allume.
Pour libérer le réglage, appuyer à nouveau sur la touche PRESET MEMORY [5] tout en maintenant la touche MENU/LIMIT enfoncée.
Quand le réglage est libéré, le voyant de la touche PRESET MEMORY [50] s'allume.
- ③ Pour régler la limite droite, utiliser le levier PAN/TILT pour faire pivoter la tête panoramique jusqu'à la limite droite que l'on souhaite régler.
Tout en maintenant la touche MENU/LIMIT enfoncée, appuyer sur la touche PRESET MEMORY [10].
Quand la limite est réglée, le voyant de la touche PRESET MEMORY [45] s'allume.
Pour libérer le réglage, appuyer à nouveau sur la touche PRESET MEMORY [10] tout en maintenant la touche MENU/LIMIT enfoncée.
Quand le réglage est libéré, le voyant de la touche PRESET MEMORY [50] s'allume.
- ④ Pour régler la limite supérieure, utiliser le levier PAN/TILT pour faire pivoter la tête panoramique jusqu'à la limite supérieure que l'on souhaite régler.
Tout en maintenant la touche MENU/LIMIT enfoncée, appuyer sur la touche PRESET MEMORY [15].
Quand la limite est réglée, le voyant de la touche PRESET MEMORY [45] s'allume.
Pour libérer le réglage, appuyer à nouveau sur la touche PRESET MEMORY [15] tout en maintenant la touche MENU/LIMIT enfoncée.
Quand le réglage est libéré, le voyant de la touche PRESET MEMORY [50] s'allume.
- ⑤ Pour régler la limite inférieure, utiliser le levier PAN/TILT pour faire pivoter la tête panoramique jusqu'à la limite inférieure que l'on souhaite régler.
Tout en maintenant la touche MENU/LIMIT enfoncée, appuyer sur la touche PRESET MEMORY [20].
Quand la limite est réglée, le voyant de la touche PRESET MEMORY [45] s'allume.
Pour libérer le réglage, appuyer à nouveau sur la touche PRESET MEMORY [20] tout en maintenant la touche MENU/LIMIT enfoncée.
Quand le réglage est libéré, le voyant de la touche PRESET MEMORY [50] s'allume.

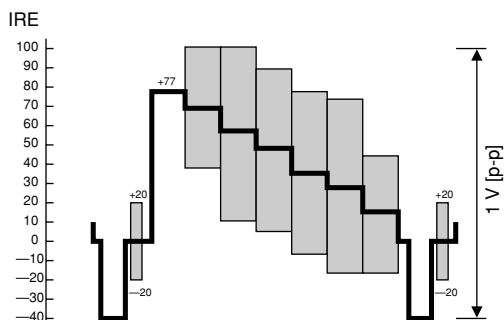
Procédures de fonctionnement

- ⑥ Pour régler la limite dans le sens des aiguilles d'une montre, utiliser le commutateur ROTATION pour faire pivoter la tête panoramique jusqu'à la limite dans le sens des aiguilles d'une montre que l'on souhaite régler.
Tout en maintenant la touche MENU/LIMIT enfoncée, appuyer sur la touche PRESET MEMORY [25].
Quand la limite est réglée, le voyant de la touche PRESET MEMORY [45] s'allume.
Pour libérer le réglage, appuyer à nouveau sur la touche PRESET MEMORY [25] tout en maintenant la touche MENU/LIMIT enfoncée.
Quand le réglage est libéré, le voyant de la touche PRESET MEMORY [50] s'allume.
- ⑦ Pour régler la limite dans le sens inverse des aiguilles d'une montre, utiliser le commutateur ROTATION pour faire pivoter la tête panoramique jusqu'à la limite dans le sens inverse des aiguilles d'une montre que l'on souhaite régler.
Tout en maintenant la touche MENU/LIMIT enfoncée, appuyer sur la touche PRESET MEMORY [30].
Quand la limite est réglée, le voyant de la touche PRESET MEMORY [45] s'allume.
Pour libérer le réglage, appuyer à nouveau sur la touche PRESET MEMORY [30] tout en maintenant la touche MENU/LIMIT enfoncée.
Quand le réglage est libéré, le voyant de la touche PRESET MEMORY [50] s'allume.

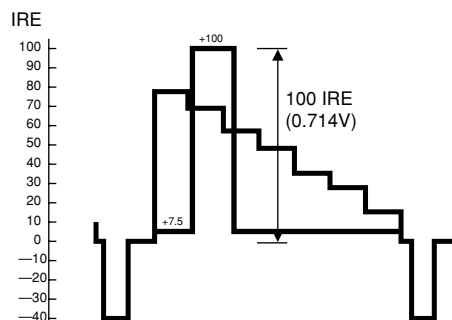
■ Réglage de la compensation de câble des caméras

Effectuer ces réglages à l'aide du compensateur de câble AW-RC400.

- ① Raccorder un moniteur de profil au connecteur de sortie vidéo de l'AW-RC400, et régler les signaux acheminés au connecteur d'entrée vidéo correspondant sur les signaux de la mire de couleur.
- ② Régler le moniteur de profil sur la vitesse H (voir la figure ci-dessous), et tout en contrôlant les sections de montée et de chute de profils, régler le commutateur de réglage de longueur de câble au point où la sous-oscillation et la suroscillation se maintiennent à un minimum. A ce moment, laisser la commande Y LEVEL et la commande F RESPONSE sur leur position centrale.
- ③ Tourner la commande F RESPONSE et la régler de façon que la sous-oscillation et la suroscillation des profils des sections de montée et de chute se maintiennent à un minimum. Si l'on dépasse la plage de réglage de la commande, voir si l'on peut sélectionner un autre réglage pour le commutateur de réglage de longueur de câble.
- ④ Ensuite, utiliser la commande Y LEVEL pour obtenir le niveau vidéo prescrit.
- ⑤ Avec des signaux à composantes, tout en observant le signal Y sur le moniteur de profil, de la même façon qu'avec les signaux composites, utiliser le commutateur de réglage de longueur de câble, la commande F RESPONSE et la commande Y LEVEL pour régler la compensation de câble de façon à obtenir les signaux vidéo prescrits.
- ⑥ Ensuite, afficher les signaux Y, Pr et Pb dans leur totalité, et re-régler la commande F RESPONSE et la commande Y LEVEL de façon à obtenir la compensation de câble optimale.
- ⑦ Avec les signaux Y/C également, commencer par régler le signal Y de la même façon que pour les signaux à composantes, afficher les signaux Y et les signaux C, et régler de façon à obtenir la compensation de câble optimale.



Moniteur de profil (signaux composites)



Moniteur de profil (signaux à composantes)

Procédures de fonctionnement

■ Réglage du genlock des différentes caméras

Pour les détails sur le réglage du genlock, voir le mode d'emploi du panneau de commande à distance AW-CB400 ou du boîtier de commande à distance WV-CB700A.

■ Réglage vidéo des caméras

Régler la suppression totale (niveau du noir), la balance des blancs, la balance des noirs, etc. des caméras. Pour les détails sur le réglage des caméras, voir le mode d'emploi du panneau de commande à distance AW-CB400 ou du boîtier de commande à distance WV-CB700A.

■ Réglage des mémoires de tracé

Effectuer ces réglages sur le contrôleur de tête panoramique AW-RP400.

L'AW-RP400 est doté d'une fonction de mémoire de tracé qui enregistre les trajets de déplacement des systèmes de tête panoramique. Cette fonction permet d'enregistrer les données sur les touches TRACING MEMORY 1 à 10.

Réglage de la durée d'enregistrement et du nombre de mémoires

- ① Sélectionner le système de tête panoramique avec l'une des touches CONTROL SELECT.
- ② Régler la durée d'enregistrement dans la mémoire de tracé et le nombre de mémoires avec la rubrique de menu TR MEMORY LENGTH.

LONGUEUR DE MEMOIRE	Réglage
60s	60 secondes × 10 mémoires (touches 1 à 10)
120s	120 secondes × 5 mémoires (touches 1 à 5)
300s	300 secondes × 2 mémoires (touches 1 et 2)
600s	600 secondes × 1 mémoire (touche 1)

- Il n'est pas possible de régler TR MEMORY LENGTH s'il y a déjà des données dans la mémoire de tracé. Avant de sélectionner un autre réglage, supprimer les données enregistrées dans la mémoire de tracé, puis effectuer le réglage.
 - Il n'est pas possible de modifier la durée d'enregistrement ni le nombre de mémoires sur chacune des touches sur lesquelles ils sont enregistrés.
- ③ Sélectionner les autres systèmes de tête panoramique avec les autres touches CONTROL SELECT, et régler la durée d'enregistrement et le nombre de mémoires pour chacun des systèmes de tête panoramique.

Enregistrement des données dans la mémoire de tracé

- ① Sélectionner le système de tête panoramique avec l'une des touches CONTROL SELECT.
Si l'on exerce la commande avec l'AW-CB400, sélectionner le même numéro pour l'AW-CB400.
- ② Régler les états de la tête panoramique et de la caméra au point de début de la mémoire de tracé.
 - Choisir l'angle de vue et la mise au point avec les commandes PAN, TILT, ZOOM et FOCUS.
 - Sélectionner le diaphragme automatique, le diaphragme manuel ou le verrouillage manuel avec la touche [AUTO/MANU/LOCK].
 - Si l'on a sélectionné le diaphragme manuel, régler le diaphragme avec la molette IRIS.
 - Régler le niveau du noir, la balance des noirs et la balance des blancs avec le contrôleur de caméra.

Procédures de fonctionnement

- ③ Appuyer sur la touche START POINT.
Les voyants des touches TRACING MEMORY 1 à 10 sur lesquelles des données ont été enregistrées s'allument.
 - Les voyants des touches dont le numéro excède le nombre de mémoires réglé à la rubrique TR MEMORY LENGTH ne s'allument pas.
 - Si le voyant d'une touche de numéro de mémoire sur laquelle il est possible d'enregistrer des données est éteint, cela veut dire qu'il y a déjà des données enregistrées sur cette touche. Pour pouvoir enregistrer des données sur cette touche, commencer par supprimer les données existant dans la mémoire.
- ④ Appuyer sur le numéro de la touche sur laquelle on souhaite enregistrer les données. Seul le voyant de la touche enfoncée s'allume, et la position de la tête panoramique et les réglages de caméra en vigueur à ce moment s'enregistrent à la position de début de la mémoire de tracé.
 - Si l'on actionne maintenant le levier PAN/TILT, l'enregistrement des données de la mémoire de tracé s'annule.
- ⑤ Appuyer sur la touche START.
Le voyant de la touche START s'allume, et l'appareil passe en mode d'attente d'enregistrement.
 - Si l'on appuie maintenant sur la touche STOP, l'enregistrement des données de la mémoire de tracé s'annule.
- ⑥ Comme l'enregistrement de la mémoire de tracé commence au point où l'on a actionné la commande PAN, TILT, ZOOM ou FOCUS, procéder à l'enregistrement des données.
Le voyant de la touche START cesse de clignoter, et le voyant de la touche STOP se met à clignoter. En règle générale, la durée qu'il est possible d'enregistrer dans la mémoire est d'environ 3 secondes pour chacune des touches PRESET MEMORY n° 1 à 10, et d'environ 30 secondes pour chacune des touches PRESET MEMORY n° 11 à 30.
Les voyants des touches s'éteignent toutes les 3 secondes, en commençant par la touche n° 10, pour indiquer le temps d'enregistrement restant dans la mémoire. Lorsque tous les voyants des touches sont éteints, l'avertisseur sonore retentit et l'enregistrement des données dans la mémoire de tracé est terminé.
 - Pour interrompre à tout moment l'enregistrement des données dans la mémoire de tracé, appuyer sur la touche STOP. Les opérations effectuées jusqu'au moment où l'enregistrement a été interrompu sont enregistrées dans la mémoire de tracé.
 - L'avertisseur sonore retentit lorsque l'enregistrement des données dans la mémoire de tracé commence, qu'il est interrompu ou qu'il est terminé.
- ⑦ Au besoin, enregistrer les données sur les touches TRACING MEMORY n° 1 à 10.
- ⑧ Sélectionner un autre système de tête panoramique avec la touche CONTROL SELECT, et procéder aux réglages des données de la mémoire de tracé pour le système de tête panoramique sélectionné. Recommencer ces opérations pour tous les systèmes de tête panoramique.

Les informations des mémoires de tracé s'enregistrent dans les têtes panoramiques et les contrôleurs.
Si l'on remplace une tête panoramique ou un contrôleur, il faudra donc recommencer l'enregistrement des données dans la mémoire de tracé.

Lecture des données de la mémoire de tracé

- ① Sélectionner le système de tête panoramique avec l'une des touches CONTROL SELECT.
- ② Appuyer sur la touche sur laquelle les données de la mémoire de tracé que l'on souhaite lire sont enregistrées.
Le système de tête panoramique se place sur la position de début enregistrée dans la mémoire de tracé.
- ③ Que le système de tête panoramique est arrivé à la position de début enregistrée dans la mémoire de tracé et qu'il s'arrête, commencer la lecture des données enregistrées dans la mémoire de tracé en appuyant sur la touche correspondant à la mémoire de tracé dans laquelle les données sont enregistrées.
 - Pour interrompre à tout moment la lecture des données de la mémoire de tracé, appuyer sur la touche STOP. La lecture s'arrête également quand on actionne la commande PAN, TILT, ZOOM ou FOCUS.
 - L'avertisseur sonore retentit lorsque la lecture des données de la mémoire de tracé commence, qu'elle est interrompue ou qu'elle est terminée.

Procédures de fonctionnement

Modification des données de la mémoire de tracé

- ① Sélectionner le système de tête panoramique avec l'une des touches CONTROL SELECT.
Si l'on exerce la commande avec l'AW-CB400, sélectionner le même numéro pour l'AW-CB400.
- ② Appuyer sur la touche correspondant à la mémoire de tracé dont on souhaite modifier les données, et appeler la position de début.
- ③ Appuyer sur la touche RESTORE.
Le voyant de la touche RESTORE clignote, et il est possible de modifier le réglage de la position de début de la mémoire de tracé.
 - Si l'on appuie à ce moment sur la touche STOP, le mode de modification s'annule.
- ④ Appuyer à nouveau sur la touche RESTORE.
Le système de tête panoramique commence l'opération enregistrée dans la mémoire de tracé, et le voyant de la touche RESTORE cesse de clignoter pour rester allumé. Comme pour l'enregistrement des données, les touches PRESET MEMORY 1 à 30 servent à donner une indication générale de la durée.
- ⑤ Modifier l'opération de la mémoire de tracé.
 - Il n'est pas possible de modifier des sections seulement de l'opération de la mémoire de tracé. Il faudra réenregistrer toute l'opération depuis le point de la modification jusqu'à la fin.
- ⑥ Lorsque tous les voyants des touches PRESET MEMORY sont éteints, l'avertisseur sonore retentit et la modification des données de la mémoire de tracé est terminée.

Effacement des données de la mémoire de tracé

- ① Sélectionner le système de tête panoramique avec l'une des touches CONTROL SELECT.
- ② Appuyer sur la touche RESET.
Les voyants des touches (touches TRACING MEMORY 1 à 10) correspondant aux mémoires de tracé dans lesquelles des données ont été enregistrées s'allument.
- ③ Appuyer sur la touche du numéro dont on souhaite effacer les données.
Le voyant de la touche s'éteint, et les données de la mémoire de tracé sont effacées.

■ Réglage des données de la mémoire de préréglage

Effectuer ces réglages sur le contrôleur de tête panoramique AW-RP400.

L'AW-RP400 est doté d'une fonction de mémoire de préréglage qui enregistre les positions et les réglages utilisés pour la prise de vues des systèmes de tête panoramique. Les données de la mémoire de préréglage s'enregistrent sur les touches PRESET MEMORY 1 à 50.

Enregistrement des données de la mémoire de préréglage

- ① Sélectionner le système de tête panoramique avec l'une des touches CONTROL SELECT.
- ② Régler les états des têtes panoramiques et des caméras.
 - Choisir l'angle de vue et la mise au point avec les commandes PAN, TILT, ZOOM et FOCUS.
 - Sélectionner le diaphragme automatique, le diaphragme manuel ou le verrouillage manuel avec la touche [AUTO/MANU/LOCK].
 - Si l'on a sélectionné le diaphragme manuel, régler le diaphragme avec la molette IRIS.
 - Régler le niveau du noir, la balance des noirs et la balance des blancs avec le contrôleur de caméra.
- ③ Tout en maintenant la touche MEMORY enfoncée, appuyer sur l'une des touches (touches PRESET MEMORY 1 à 50) sur laquelle on souhaite enregistrer les données de la mémoire de préréglage.
- ④ Au besoin, enregistrer d'autres positions de prise de vues et d'autres réglages sur les touches PRESET MEMORY 1 à 50 comme données de mémoire de préréglage.
- ⑤ Sélectionner un autre système de tête panoramique avec la touche CONTROL SELECT, et procéder aux réglages des données de la mémoire de préréglage pour le système de tête panoramique sélectionné. Recommencer ces opérations pour tous les systèmes de tête panoramique.

Procédures de fonctionnement

Lecture des données de la mémoire de tracé

- ① Sélectionner le système de tête panoramique avec l'une des touches CONTROL SELECT.
- ② Quand on appuie sur la touche correspondant aux données de la mémoire de pré réglage enregistrée, le système de tête panoramique se règle sur l'état enregistré.

Precauzioni per la sicurezza

■ **NON TOGLIERE IL COPERCHIO SVITANDOLO**

Per ridurre i pericoli di scosse elettriche, non togliere il coperchio. All'interno non ci sono parti riparabili dall'utente.

Per le riparazioni, rivolgersi a personale tecnico qualificato.

ATTENZIONE:

PER RIDURRE IL RISCHIO D'INCENDIO O DI SCOSSE ELETTRICHE, TENERE QUESTO PRODOTTO LONTANO DA TUTTI I LIQUIDI. USARLO E CONSERVARLO SOLTANTO IN LUOGHI CHE NON SIANO ESPOSTI A GOCCIOLAMENTI O SPRUZZI DI LIQUIDI, E NON METTERVI SOPRA RECIPIENTI DI LIQUIDI.

PRECAUZIONE:

PER RIDURRE I PERICOLI D'INCENDIO O DI SCOSSE ELETTRICHE E DI FASTIDIOSE INTERFERENZE, USARE SOLTANTO GLI ACCESSORI RACCOMANDATI.

 sono le informazioni sulla sicurezza.

Sommario

Precauzioni per la sicurezza	1
Precauzioni per l'uso	3

AW-PH400 Testa di panoramica orizzontale/verticale interna 4

Introduzione	4
Accessori	4
Precauzioni per l'uso	4
Precauzioni per l'installazione	5
Parti e loro funzioni	6
Installazione	10
■ Montaggio della testa di panoramica orizzontale/verticale	10
■ Regolazione dell'interruttore di direzione montaggio ...	11
■ Regolazione degli interruttori PCB	12
■ Cambiamento della posizione di montaggio del pannello connettori piedistallo	13
■ Installazione della testa di panoramica orizzontale/verticale	14
■ Montaggio della videocamera	15
■ Attaccare la catena	16
Sostituzione delle parti consumabili	17
Dati tecnici	18

AW-RP400 Controllore di teste panoramica orizzontale/verticale 19

Introduzione	19
Accessori	19
Parti e loro funzioni	20
■ Pannello anteriore	20
■ Pannello posteriore	23
Impostazioni con i menu	25
■ Metodo operativo	25
■ Elenco delle opzioni e impostazioni dei menu	26
Esempio di montaggio su rack	30
■ Modo di montare l'AW-RP400 su un rack	30
■ Modo di cambiare la direzione del pannello connettori	31
■ Modo di sostituire l'interruttore zoom	32
Sostituzione delle parti consumabili	33
Dati tecnici	34

AW-RC400 Compensatore cavo 35

Introduzione	35
Accessori	35
Parti e loro funzioni	36
Esempio di montaggio su rack	38
■ Modo di montare l'AW-RC400 su un rack	38
Dati tecnici	39

AW-RL400 Unità di rotazione 41

Introduzione	41
Accessori	41
Parti e loro funzioni	42
Installazione	43
Dati tecnici	44

Collegamenti	45
Esempio di configurazione del sistema	47
Procedure operative	48

Precauzioni per l'uso

- **Maneggiare il pannello di comando a distanza con cura.**

Se cade o subisce dei forti colpi, si possono verificare malfunzionamenti o incidenti.

- **Usare il pannello di comando a distanza a una temperatura ambiente dai -10°C ai $+45^{\circ}\text{C}$.**

L'impiego in un luogo freddo sotto i -10°C o caldo sopra i $+45^{\circ}\text{C}$ può avere effetti negativi sulle sue parti interne.

- **Interrompere la corrente prima di collegare o di staccare i cavi.**

Accertarsi di aver interrotto la corrente prima di collegare o di staccare i cavi.

- **Evitare di usare le unità all'esterno.**

- **Manutenzione**

Pulire il pannello di comando a distanza con un panno asciutto. Per togliere lo sporco ostinato, inumidire il panno con una soluzione diluita di un detergente da cucina, strizzarlo bene e pulire delicatamente il pannello di comando a distanza.

<Avvertimento>

- Non usare benzina, solventi per vernici od altre sostanze volatili.
- Se si usa un panno trattato chimicamente, leggere attentamente le precauzioni per l'uso che lo accompagnano.

Introduzione

- La testa di panoramica orizzontale/verticale compatta indipendente può essere ruotata di 190 gradi in direzione verticale e di 400 gradi in direzione orizzontale.
- Le operazioni possono essere eseguite ad alta velocità fino a 90 gradi al secondo.
- Sull'unità si può montare una attrezzatura come una videocamera e un obiettivo con un peso totale di 8 kg.
- La videocamera può anche essere ruotata usando l'unità di rotazione AW-RL400, disponibile come opzione.
- Si possono registrare le posizioni di ripresa e le regolazioni di un massimo di 50 posizioni come dati delle memorie di preselezione.

NOTE

- L'AW-PH400 non può essere controllata dal controllore AW-RP301, AW-RP305, AW-RP501, AW-RP505, AW-RP605 o AW-RP605A.
- Per proteggere l'ambiente al momento di disfarsi della testa di panoramica orizzontale/verticale alla fine della sua vita di servizio, rivolgersi a un esperto per il modo di farlo correttamente.

Accessori

Braccio rotante.....	1
Base di montaggio videocamera.....	1
Viti di montaggio M5 × 20 mm braccio rotante e base videocamera (con rondelle piatte)	7
Cavo videocamera	1
Spia tally	1
Viti di montaggio catena (con rondelle piatte, rondelle elastiche) M4 × 8 mm.....	1
M4 × 6 mm.....	1
Chiave esagonale.....	1
Cavo c.a.	1

Precauzioni per l'uso

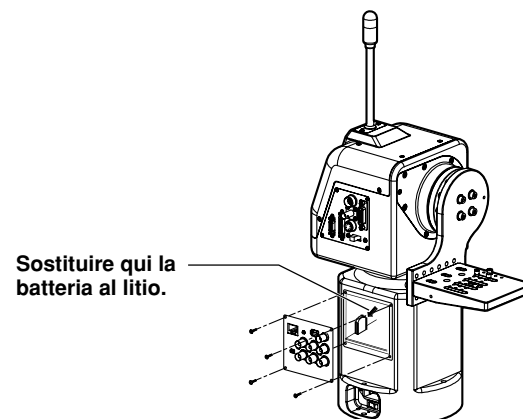
L'AW-PH400 impiega una batteria al biossido manganese-litio (CR2032).

Rimuovere la batteria prima di disfarsi della testa di panoramica orizzontale/verticale o delle sue schede dei circuiti stampati.

Disfarsi della batteria rimossa secondo le norme e leggi locali.

Non gettar via la batteria con i rifiuti domestici.

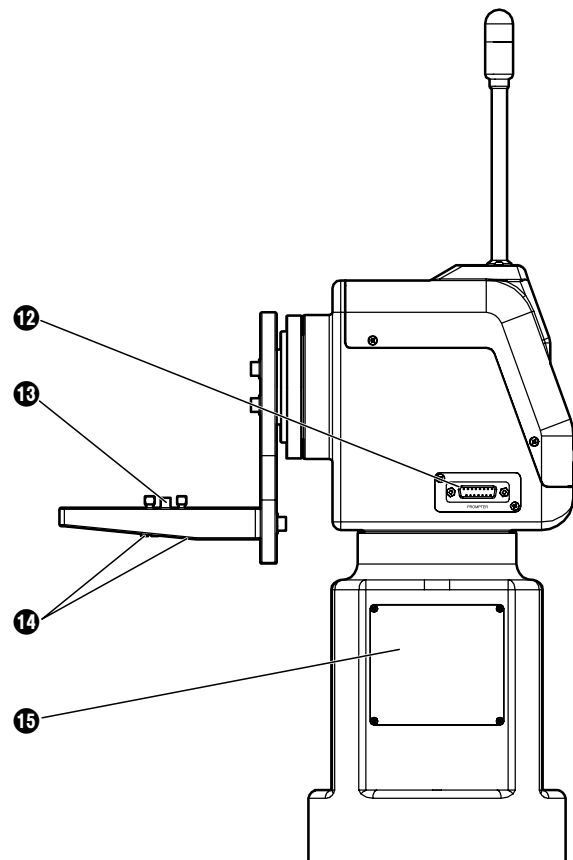
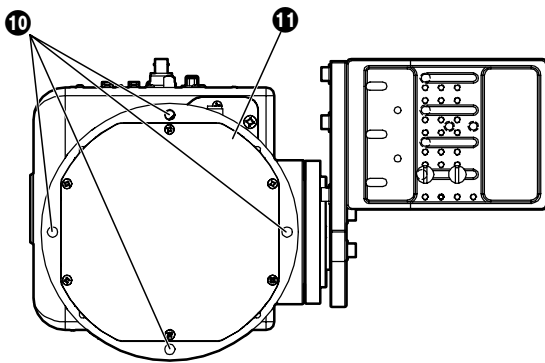
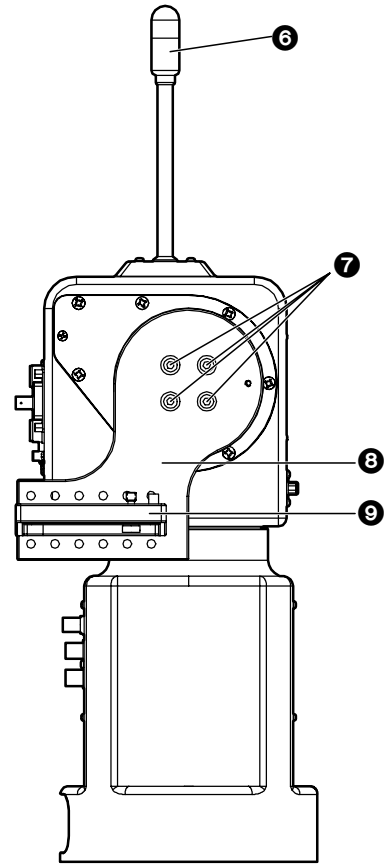
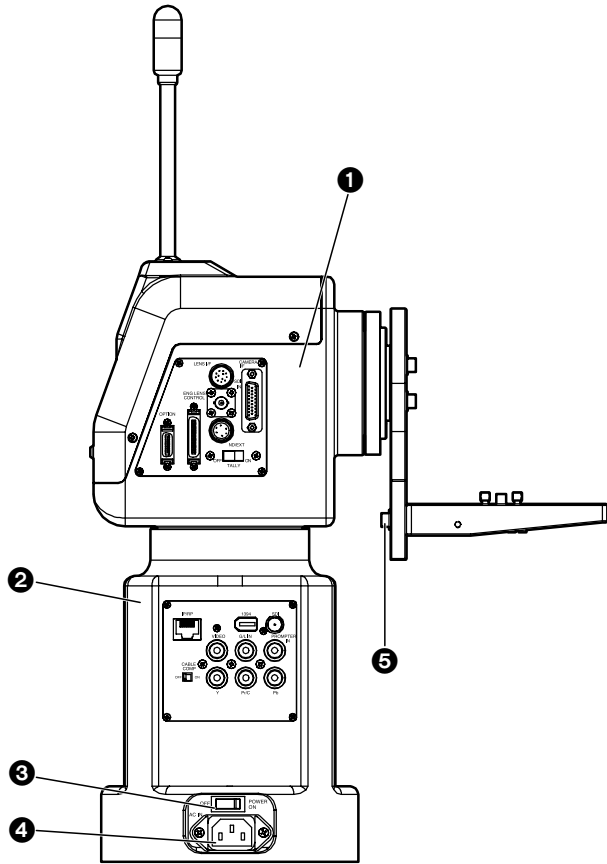
Per la procedura di rimozione della batteria, riferirsi alla sezione sulla sostituzione della batteria in "Sostituzione delle parti consumabili" (pag. 17).



Precauzioni per l'installazione

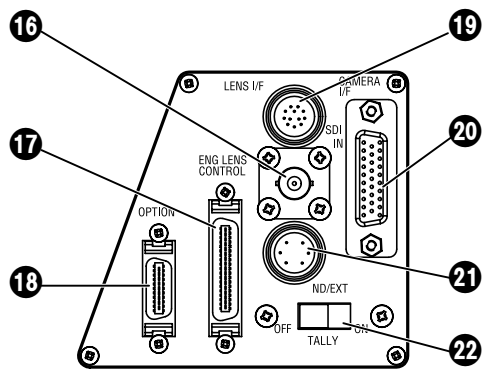
- Non installare l'unità su uno dei suoi fianchi.
- Evitare di usare l'unità in cucina od altri luoghi con molto vapore o vapori oleosi.
- Montare la videocamera sulla testa di panoramica orizzontale/verticale soltanto dopo aver finito di installarla.
- Questa unità può sopportare un carico massimo di 8 kg.
Essa non può essere usata se deve sopportare un carico di più di 8 kg.
- Non usare un obiettivo che può compromettere l'equilibrio dell'unità.
Anche se il carico sopportato dall'unità è di meno di 8 kg, esso non deve essere usato se l'equilibrio dell'unità viene compromesso dall'obiettivo montato su di essa.
- Non installare l'unità in esterni o dove la temperatura supera i 45°C o è inferiore a 0°C.
Usare l'unità in luoghi dove l'umidità è sotto il 90%.
- Acquistare separatamente le viti di montaggio, perché non vengono fornite con l'unità.
- Non tenere in mano o sollevare l'unità per la sua parte rotante. Ciò potrebbe causare un malfunzionamento.
- Non girare a mano la parte rotante dell'unità. Ciò potrebbe causare un malfunzionamento.
- Se si fa cadere l'unità o se essa subisce dei colpi, si potrebbero verificare dei malfunzionamenti.
- Lasciare almeno 1 metro intorno al monitor quando si installa l'unità.
- Quando si monta la videocamera sull'unità, fare attenzione che non si stacchi o che cada.
- Installare l'unità in modo che l'attrezzatura montata su di essa e i suoi cavi non facciano alcun contatto quando la testa di panoramica orizzontale/verticale si muove, e regolare dei limiti di movimento definiti.

Parti e loro funzioni

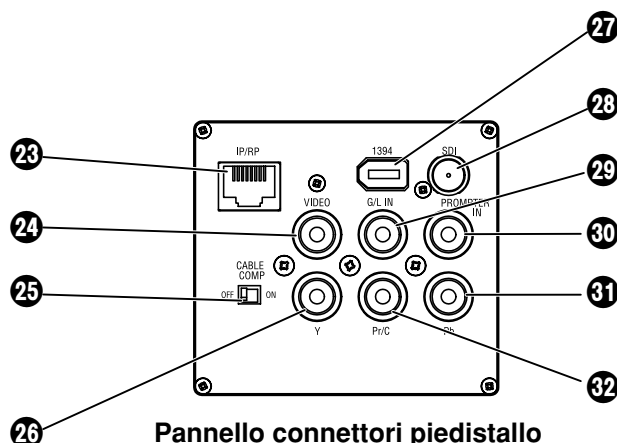


ITALIANO

Parti e loro funzioni



Pannello connettori testa rotante



Pannello connettori piedistallo

1 Testa rotante

Ruota in direzione orizzontale.

2 Piedistallo

3 Interruttore POWER ON/OFF

Posizionandolo su ON si alimenta la corrente all'unità; posizionandolo su OFF la si interrompe.

4 Ingresso c.a. 100 [AC IN] (ingresso a 3 contatti di corrente alternata)

Collegare il cavo di alimentazione c.a. accessorio a questa presa.

5 Viti di montaggio base di montaggio videocamera

Viti con testa esagonale M5 × 20 mm, rondelle piatte M5 (3 ciascuna fornite come accessori)
Servono a fissare la base di montaggio della videocamera al braccio rotante.

6 Spia tally (accessoria)

Viene accesa rossa dai segnali selezionati.

7 Viti di montaggio braccio rotante

Viti con testa esagonale M5 × 20 mm, rondelle piatte M5 (4 ciascuna fornite come accessori)
Servono a fissare il braccio rotante alla testa rotante.

8 Braccio rotante

Fa ruotare il braccio in direzione verticale.

9 Base di montaggio videocamera

Montare la videocamera convertibile su questa base.

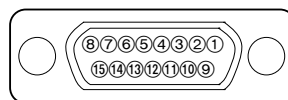
10 Fori di montaggio testa di panoramica orizzontale/verticale

Questi quattro fori servono alla installazione della testa di panoramica orizzontale/verticale.

11 Pannello inferiore

12 Connettore PROMPTER

Il prompter va collegato a questo connettore.
La corrente massima che può essere alimentata dalla presa DC 12V OUT è di 2A.
Quando si collega il prompter, la velocità della testa di panoramica orizzontale/verticale si riduce a circa un terzo.



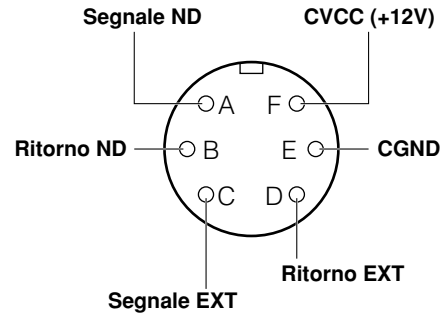
Disposizione dei pin vista con il connettore rivolto verso il connettore del prompter

Pin No.	Nome segnale
1	---
9	PROMPTER VIDEO GND
2	PROMPTER VIDEO
10	---
3	---
11	---
4	DC 12V OUT
12	GND
5	---
13	---
6	---
14	DETECT
7	---
15	GND
8	---

Parti e loro funzioni

- 13 Perno guida**
Usarlo per determinare la direzione di montaggio della videocamera.
- 14 Viti di montaggio videocamera (U1/4" 20UNC)**
Servono a fissare saldamente la videocamera dopo che è stata montata.
- 15 Pannello cieco laterale**
Usarlo se si deve cambiare la direzione di montaggio del pannello connettori del piedistallo.
- 16 Connettore d'ingresso SDI [SDI IN]**
Usare un cavo coassiale per collegare questo connettore al connettore SDI OUT della scheda SDI AW-PB504 od altra scheda installata nella videocamera convertibile.
- 17 Connettore di controllo obiettivo ENG [ENG LENS CONTROL]**
Usarlo se si usa un obiettivo ENG.
È necessario usare un cavo di collegamento opzionale.
- 18 Connettore unità di rotazione opzionale [OPTION]**
L'unità di rotazione opzionale AW-RL400 va collegata qui usando il cavo in dotazione all'AW-RL400.
- 19 Connettore di interfaccia obiettivo [LENS I/F]**
Serve al controllo della zoomata e della messa a fuoco dell'obiettivo motorizzato. Per il collegamento, usare il cavo di comando a distanza (zoomata/messa a fuoco) dell'obiettivo motorizzato.
- 20 Connettore di interfaccia videocamera [CAMERA I/F]**
Serve al controllo della videocamera convertibile. Usare il cavo della videocamera in dotazione all'AW-PH400 per collegare questo connettore al connettore REMOTE della videocamera. A seconda delle funzioni della scheda opzionale, è necessario uno speciale cavo per videocamera (venduto separatamente).

- 21 Connettore filtro ND/prolunga [ND/EXT]**
Serve a controllare il filtro ND e la prolunga dell'obiettivo motorizzato.
Collegare questo connettore se si usa un obiettivo motorizzato dotato delle funzioni del filtro ND e di prolunga dell'obiettivo.
Il connettore compatibile è quello R03-P6M o R03-PB6M della Tajimi Electronics Co., Ltd.



(Disposizione dei pin vista dalla estremità del cavo)

- 22 Interruttore tally ON/OFF [TALLY]**
Quando lo si posiziona su ON, la spia tally (③) viene accesa dai segnali selezionati. Quando lo si posiziona su OFF, la spia tally non si accende, anche se vengono alimentati i segnali selezionati.
- 23 Connettore IP/RP d'ingresso di controllo [IP/RP]**
Questo è il connettore per il controllo dei segnali della videocamera e della testa di panoramica orizzontale/verticale.
Esso va collegato al connettore CONTROL OUT TO PAN/TILT del controllore di teste panoramica orizzontale/verticale AW-RP400.
Come cavo di collegamento, usare un cavo diritto 10BASE-T (equivalente alla categoria UTP 5).
- 24 Connettore video [VIDEO]**
Questo è il connettore d'uscita per i segnali video della videocamera.
Esso va collegato al connettore Y/VIDEO del compensatore cavo AW-RC400 o monitor, ecc.
Come cavo di collegamento, usare un cavo coassiale BNC.
- 25 Interruttore ON/OFF di compensazione cavo [CABLE COMP]**
Quando lo si posiziona su ON, i segnali di cui è stata eseguita la compensazione del cavo per l'equivalente di 500 metri escono dal connettore VIDEO e dai connettori Y, Pr e Pb.
Quando si usa questo interruttore unitamente al compensatore cavo AW-RC400, il cavo video può essere esteso fino a un massimo di 1000 metri.

Parti e loro funzioni

26 Connettore Y [Y]

Questo è il connettore d'uscita per i segnali video della videocamera.

Esso va collegato al connettore Y/VIDEO del compensatore cavo AW-RC400 o monitor, ecc.

Come cavo di collegamento, usare un coassiale BNC.

Per usare la videocamera convertibile AW-E300, AW-E300A, AW-E600, AW-E800 o AW-E800A bisogna installare la scheda RGB AW-PB302.

27 Connettore 1394 [1394]

Serve a controllare la videocamera convertibile e la testa di panoramica orizzontale/verticale dotate di una scheda IEEE1394, come l'AW-PB310.

Come cavo di collegamento, usare un cavo IEEE1394.

28 Connettore SDI [SDI]

Questo è il connettore d'uscita per i segnali video della videocamera.

L'uscita dei segnali SDI diventa possibile quando nella videocamera convertibile si inserisce una scheda SDI AW-PB504 od altra scheda.

Come cavo di collegamento, usare un cavo coassiale BNC.

29 Connettore d'ingresso G/L [G/L IN]

Questo è il connettore d'ingresso del segnale genlock.

Esso va collegato al connettore G/L OUT del compensatore cavo AW-RC400 od altra unità.

Come cavo di collegamento, usare un cavo coassiale BNC.

30 Connettore d'ingresso prompter [PROMPTER IN]

I segnali video per il prompter vengono alimentati a questo connettore.

Come cavo di collegamento, usare un cavo coassiale BNC.

31 Connettore Pb [Pb]

Questo è il connettore d'uscita per i segnali video della videocamera.

Esso va collegato al connettore Pb del compensatore cavo AW-RC400 o monitor, ecc.

Come cavo di collegamento, usare un cavo coassiale BNC.

32 Connettore Pr/C [Pr/C]

Questo è il connettore d'uscita per i segnali video della videocamera.

Esso va collegato al connettore Pr/C del compensatore cavo AW-RC400 o monitor, ecc.

Come cavo di collegamento, usare un cavo coassiale BNC.

Installazione (Chiedere al rivenditore di installare l'unità.)

■ Montaggio della testa di panoramica orizzontale/verticale

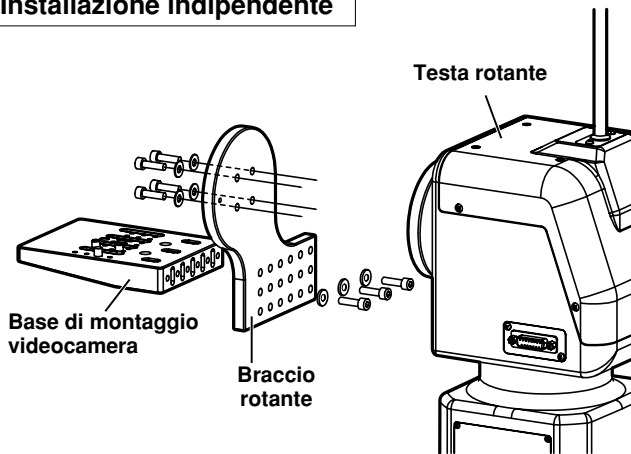
① Attaccare la base di montaggio videocamera

Attaccare la base di montaggio videocamera al braccio rotante usando le tre viti. La direzione di montaggio differisce a seconda del metodo di installazione usato.

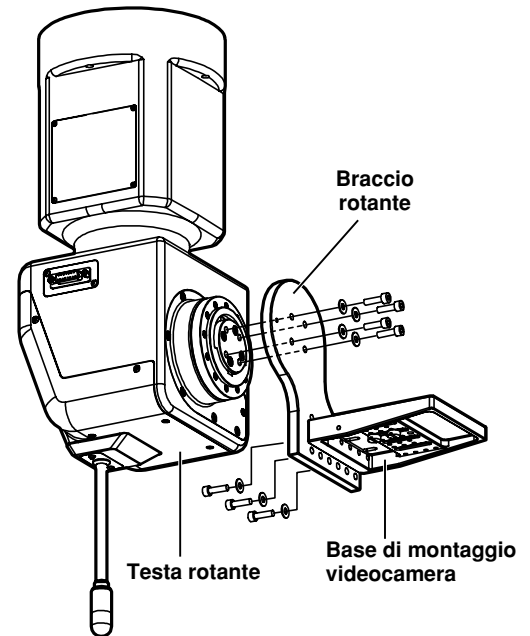
② Attaccare il braccio rotante

Attaccare il braccio rotante alla testa rotante usando le quattro viti. La direzione di montaggio differisce a seconda del metodo di installazione usato.

Installazione indipendente



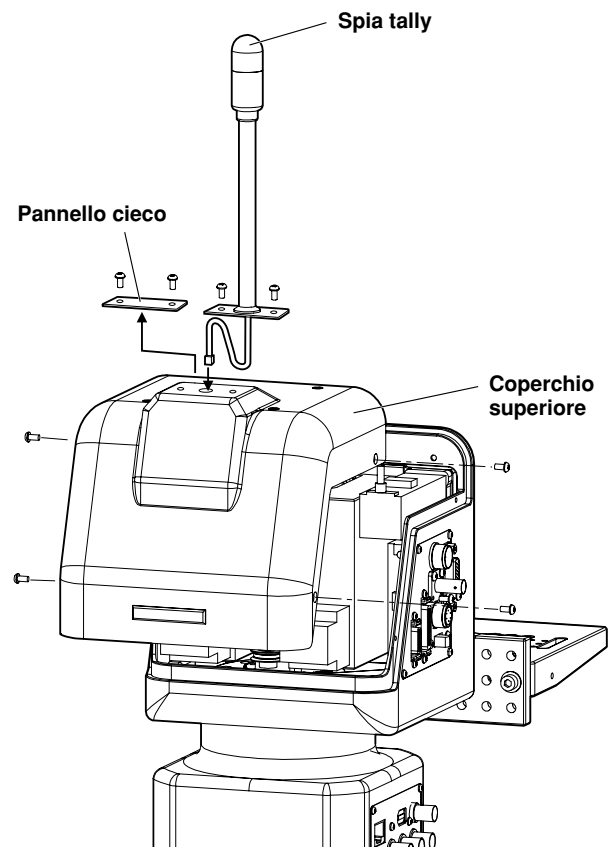
Installazione sul soffitto



③ Montare la spia tally

Togliere le quattro viti per rimuovere il coperchio superiore.
Togliere le due viti per rimuovere il pannello cieco.
Montare la spia tally e fissarla usando le viti usate per attaccare il pannello cieco.
Collegare il connettore della spia tally.
Attaccare il coperchio superiore e fissarlo usando le quattro viti.

- Stringere saldamente le viti in modo che non si allentino durante l'uso.



Installazione (Chiedere al rivenditore di installare l'unità.)

■ Regolazione dell'interruttore di direzione montaggio

Regolare l'interruttore come segue per l'installazione dell'unità sul soffitto.
(Questo interruttore è stato regolato in fabbrica sulla posizione di installazione indipendente.)

- ① Togliere le quattro viti e rimuovere delicatamente il pannello connettori piedistallo.
- ② Regolare l'interruttore S1 sulla PBC all'interno della testa di panoramica orizzontale/verticale come segue.

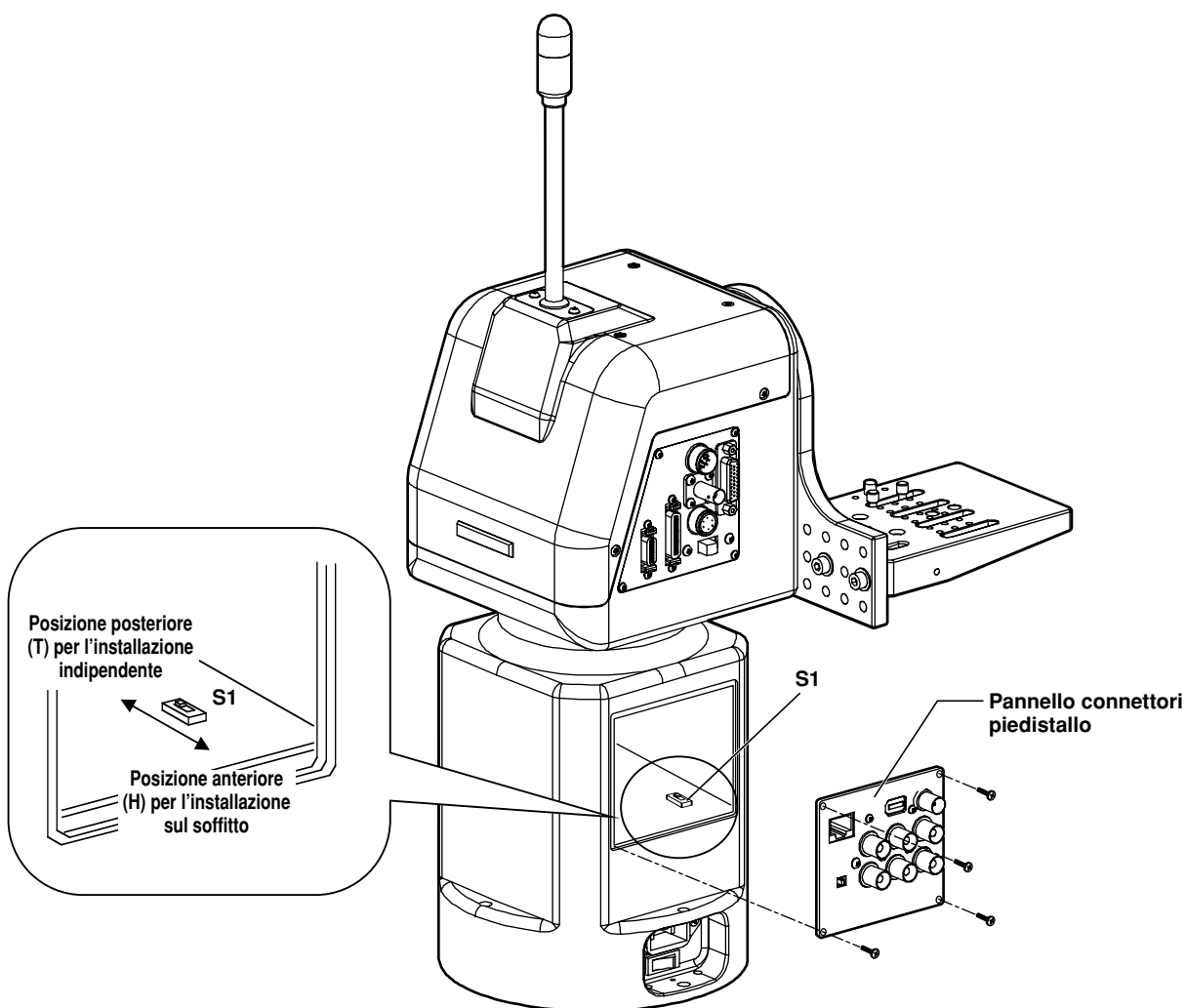
Installazione indipendente:

Regolare l'interruttore S1 sulla posizione posteriore (T). (Regolazione della fabbrica)

Installazione sul soffitto:

Regolare l'interruttore S1 sulla posizione anteriore (H).

- ③ Al completamento della regolazione, rimettere il pannello connettori piedistallo sulla sua posizione originale e attaccarlo usando le viti. (Fare attenzione a non incastrare o staccare i fili.)



- Accertarsi che l'unità sia spenta prima di cambiare la posizione di questo interruttore.

Installazione *(Chiedere al rivenditore di installare l'unità.)*

■ Regolazione degli interruttori PCB

Gli interruttori della scheda dei circuiti stampati CONNECTOR devono essere regolati secondo il segnale da trasmettere e l'attrezzatura collegata alla testa di panoramica orizzontale/verticale.

(Gli interruttori sono stati regolati in fabbrica per il supporto analogico/SDI.)

- **Supporto analogico/SDI**

Interruttore IP/IEEE: IEEE

Interruttore 422/IP: 422

- **Supporto scheda Web**

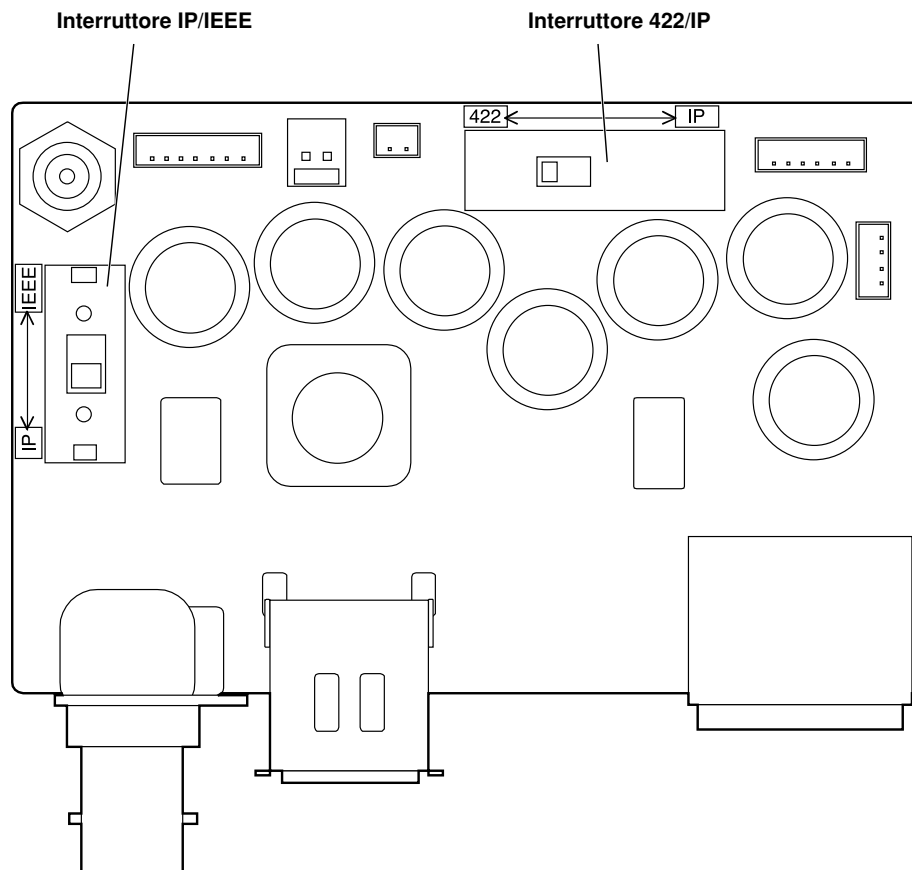
Interruttore IP/IEEE: IP

Interruttore 422/IP: IP

- **Supporto scheda IEEE1394**

Interruttore IP/IEEE: IEEE

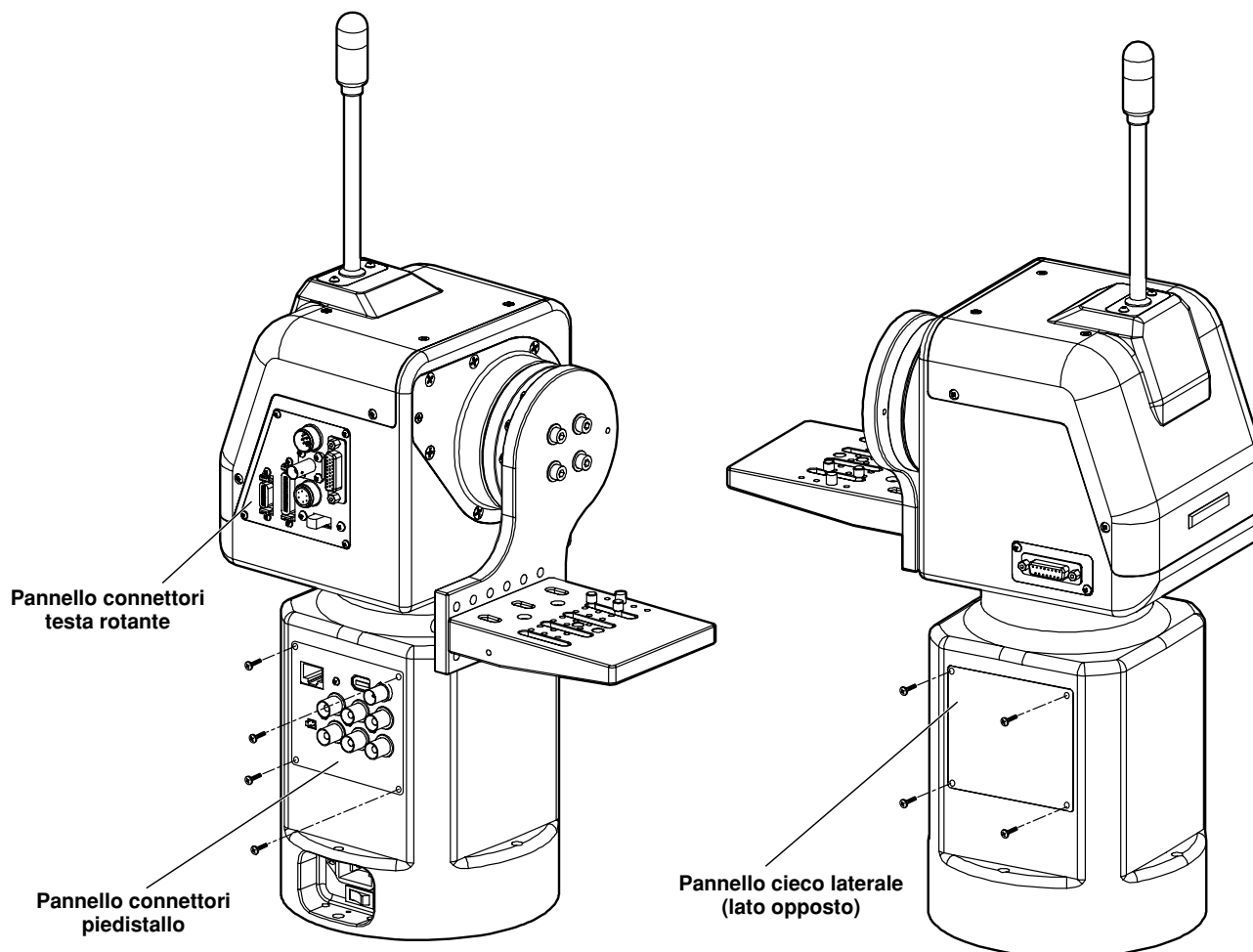
Interruttore 422/IP: 422



Installazione (Chiedere al rivenditore di installare l'unità.)

■ Cambiamento della posizione di montaggio del pannello connettori piedistallo

Se necessario, la posizione in cui è montato il pannello connettori piedistallo può essere spostata sul lato opposto dell'unità.



- ① Togliere le quattro viti del pannello connettori piedistallo e tirar fuori il pannello connettori piedistallo.
 - ② Staccare tutti i sei connettori della scheda dei circuiti stampati sulla parte posteriore del pannello connettori piedistallo.
 - ③ Togliere le quattro viti del pannello cieco laterale e rimuovere il pannello cieco laterale.
 - ④ Spostare il pannello connettori piedistallo sul lato opposto, e ricollegare i connettori della scheda dei circuiti stampati come prima.
 - ⑤ Avvitare il pannello connettori piedistallo e il pannello cieco laterale.
- La posizione e la direzione di montaggio del pannello connettori testa rotante non possono essere cambiate.

Installazione (Chiedere al rivenditore di installare l'unità.)

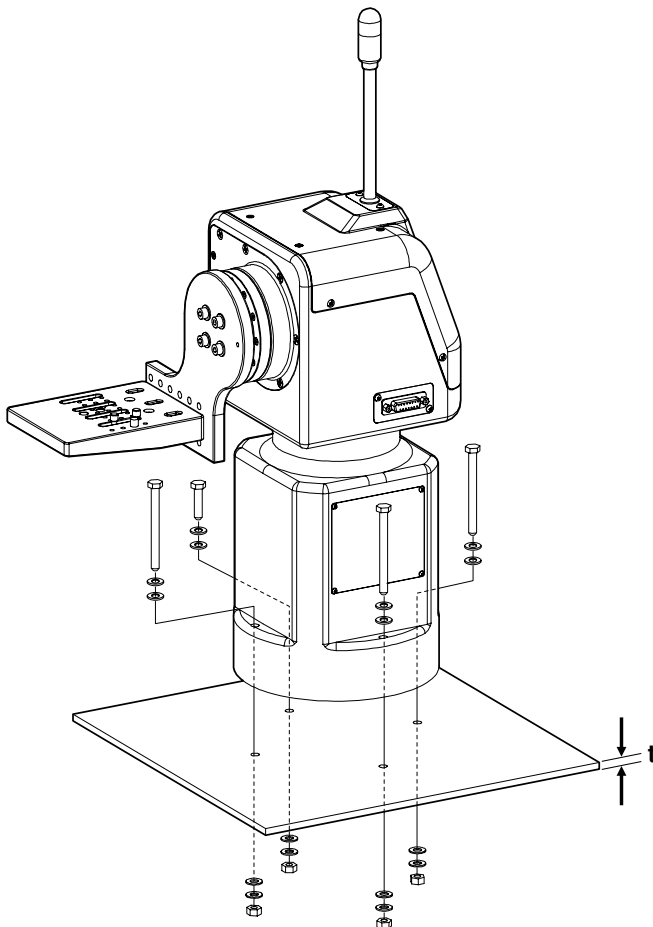
■ Installazione della testa di panoramica orizzontale/verticale

Per installare la testa di panoramica orizzontale/verticale, seguire attentamente le istruzioni sotto.

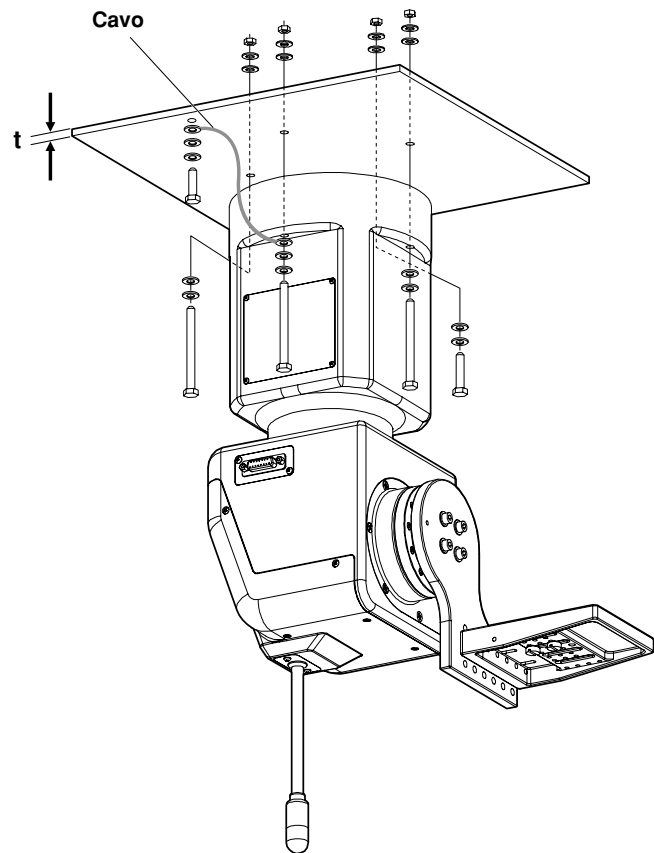
Per evitare gli incidenti causati dallo spostamento o dalla caduta del prodotto, bisogna assolutamente procedere secondo le istruzioni. Non installare la testa di panoramica orizzontale/verticale di fianco, perché altrimenti non si possono garantire il suo funzionamento e le sue prestazioni prescritte.

- Dopo l'installazione della testa di panoramica orizzontale/verticale, montare su di essa la videocamera.
- Per l'installazione della testa di panoramica orizzontale/verticale, usare i quattro fori di montaggio per fissare saldamente la testa di panoramica orizzontale/verticale.
- Per l'installazione, usare i bulloni con testa esagonale M6 (compreso un bullone corto).
- Usare bulloni con testa esagonale più lunghi dello spessore (t) del membro montato + 25 mm.
- Come mostrato nella illustrazione, usare rondelle piatte, rondelle elastiche e dadi esagonali per i bulloni con testa esagonale.
- Usare una chiave di dimensioni adatte per stringere i bulloni con testa esagonale.
- Installando la testa di panoramica orizzontale/verticale sul soffitto, attaccare il cavo insieme con i bulloni e fissarli saldamente a una parte rigida del soffitto.
- Usare un cavo sufficientemente robusto in grado di sopportare il peso dell'intera testa di panoramica orizzontale/verticale (testa di panoramica orizzontale/verticale, videocamera e cavo obiettivo).
- Installare la testa di panoramica orizzontale/verticale in modo che l'attrezzatura e il cavo attaccato ad essa non facciano contatto con alcun oggetto circostante quando la testa si sposta.

Installazione indipendente



Installazione sul soffitto



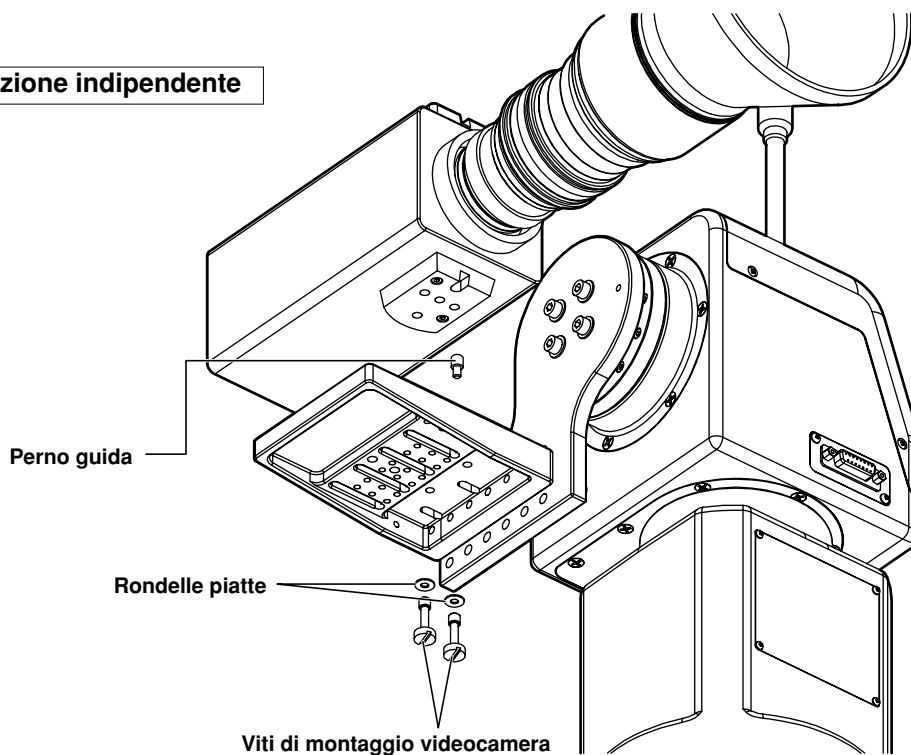
* Installando la testa di panoramica orizzontale/verticale, non girare forzatamente a mano la testa rotante o il braccio rotante. Ciò potrebbe causare un malfunzionamento.

Installazione (Chiedere al rivenditore di installare l'unità.)

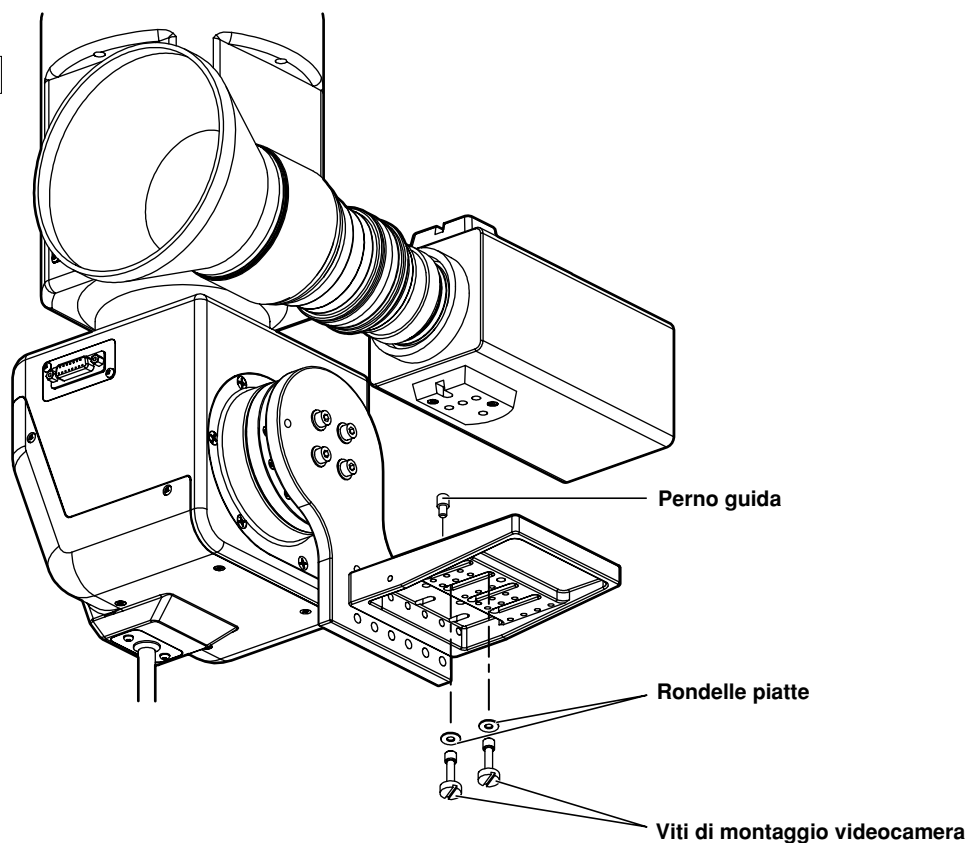
■ Montaggio della videocamera

- ① Selezionare le posizioni del perno guida e delle viti di montaggio videocamera secondo la videocamera e l'obiettivo usati, e montare la videocamera. Quando si monta la videocamera sulla testa di panoramica orizzontale/verticale, fare molta attenzione che la videocamera non si stacchi o cada.

Installazione indipendente



Installazione sul soffitto



Installazione (Chiedere al rivenditore di installare l'unità.)

■ Attaccare la catena

Montando la videocamera AW-E750

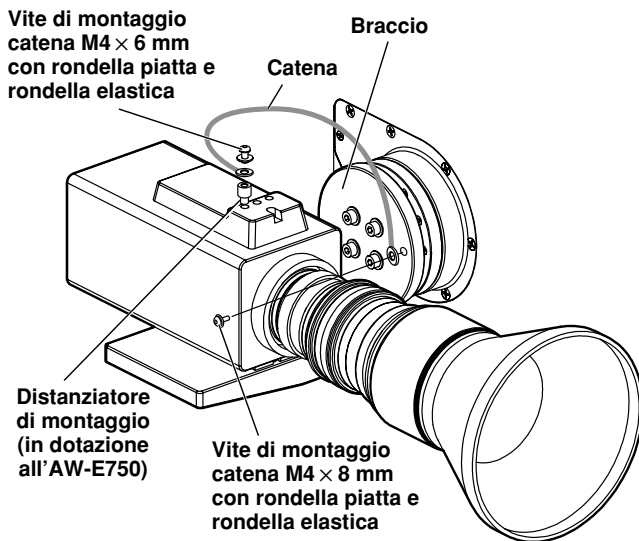
- ① Usare la vite di montaggio catena (M4 × 8 mm con rondella piatta e rondella elastica) per attaccare una estremità della catena al braccio della testa di panoramica orizzontale/verticale.
- ② Montare il distanziatore di montaggio sul pannello superiore della videocamera.
- ③ Usare la vite di montaggio catena (M4 × 6 mm con rondella piatta e rondella elastica) per attaccare l'altra estremità della catena al foro della vite del distanziatore di montaggio.

Montando la videocamera AW-E350 o AW-E650

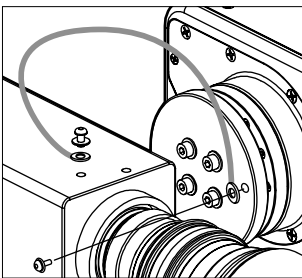
- ① Usare la vite di montaggio catena (M4 × 8 mm con rondella piatta e rondella elastica) per attaccare una estremità della catena al braccio della testa di panoramica orizzontale/verticale.
- ② Usare la vite di montaggio catena (M4 × 6 mm con rondella piatta e rondella elastica) per attaccare l'altra estremità della catena al foro della vite sul pannello superiore della videocamera.

Installazione indipendente

• Videocamera: AW-E750

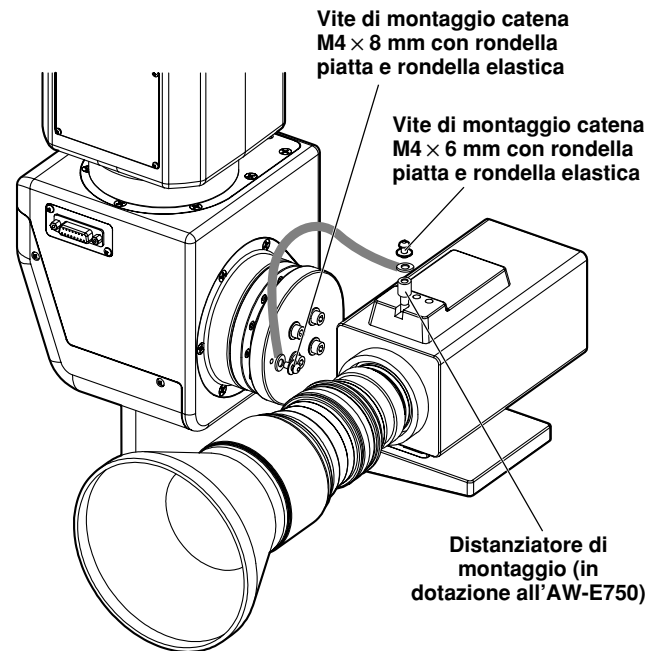


• Videocamera: AW-E650, AW-E350

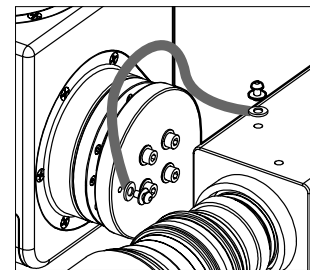


Installazione sul soffitto

• Videocamera: AW-E750



• Videocamera: AW-E650, AW-E350



* Stringere saldamente il distanziatore e le viti di montaggio usando un attrezzo quale un cacciavite.

Sostituzione delle parti consumabili

■ Selezione della batteria

La batteria ha una vita di servizio di circa 5 anni.

L'unità memorizza le posizioni preselezionate, i fine corsa ed altri dati. I dati vengono conservati anche se si spegne l'unità, ma se la batteria ha raggiunto la fine della sua vita di servizio, essi vanno perduti quando l'unità viene spenta.

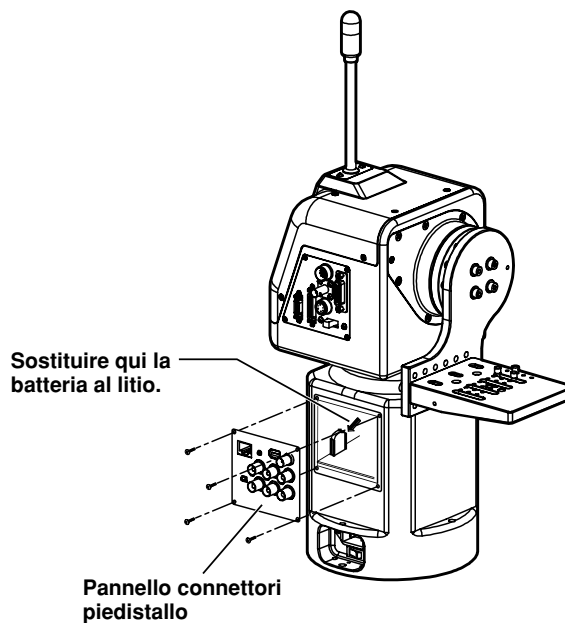
Sostituire una batteria che ha perso la sua carica con un'altra nuova. (Batteria usata: Batteria al biossido di manganese/litio CR2032)

■ Modo di rimuovere la batteria

- ① Togliere le quattro viti e rimuovere il pannello connettori piedistallo.
- ② Spingere la batteria nella direzione indicata dalla freccia nella illustrazione, e spingerla fuori.
- ③ Dopo aver spinto fuori la batteria, sollevarla da sotto la parte con la freccia.
- ④ Dopo aver liberato la parte con la freccia dal portabatteria, tirar fuori la batteria verso di sé.

■ Modo di installare la batteria

- ① Mettere il lato "+" della nuova batteria sul davanti e inserire la sua estremità nel portabatteria dalla direzione della freccia.
- ② Spingere la batteria nel portabatteria spingendola nella direzione della freccia.
- ③ Attaccare il pannello connettori piedistallo usando le quattro viti.



■ Sostituzione del motore

Sostituire il motore se smette di funzionare correttamente.

Per i dettagli sulla sostituzione del motore, rivolgersi al rivenditore.

■ Sostituzione della cinghia

Sostituire la cinghia se la precisione di arresto preselezionata si è deteriorata.

Per i dettagli sulla sostituzione della cinghia, rivolgersi al rivenditore.

■ Sostituzione dell'ingranaggio

Sostituire l'ingranaggio se la precisione di arresto preselezionata si è deteriorata.

Per i dettagli sulla sostituzione dell'ingranaggio, rivolgersi al rivenditore.

**Il motore, l'ingranaggio e la cinghia sono parti consumabili.
Esse devono essere sostituite a intervalli periodici.**

Dati tecnici

Alimentazione:	C.a. 220V, 50/60 Hz
Assorbimento di corrente:	145 W circa

 sono le informazioni sulla sicurezza.

Ingresso genlock:	BNC Segnale burst del nero o video composito
Ingresso prompter (PROMPTER IN):	BNC Mediante l'uscita al connettore PROMPTER
Uscita prompter (PROMPTER OUT):	D-SUB 15 pin
Uscita video videocamera	
VIDEO:	BNC, uscita di 75 ohm, 1 Vp-p Cavo di collegamento: 5C-2V, 1000 metri max.
Y, Pr/C, Pb:	Y/C Y: 1 Vp-p/75 ohm C: 0,285 Vp-p/75 ohm (burst) Video componente: Y: 1 Vp-p/75 ohm Pr: 0,7 Vp-p/75 ohm Pb: 0,7 Vp-p/75 ohm Cavo di collegamento: 5C-2V, 1000 metri max.
SDI:	BNC
Controllo videocamera, testa di panoramica orizzontale/verticale:	
RP/IP	RJ45, RS-485, uscita segnale di controllo testa di panoramica orizzontale/verticale Cavo di collegamento: Cavo diritto 10BASE-T (equivalente alla categoria UTP 5), 500 metri max.
Funzioni/prestazioni:	Capacità massima di carico: 8 kg Gamma di panoramica verticale: 190 gradi (±95 gradi circa) La gamma di panoramica verticale è soggetta a restrizioni a seconda del cavo e dell'obiettivo della videocamera da montare sulla testa di panoramica orizzontale/verticale. Gamma di panoramica orizzontale: 400 gradi (±200 gradi circa) Velocità massima di funzionamento: 90 gradi/sec. (Velocità massima di funzionamento con il prompter montato: 30 gradi/sec.) Ripetibilità: ±30" Livello rumore: Inferiore a NC30 (a meno di 30 gradi/sec)
Temperatura d'esercizio:	Da 0°C a +45°C
Temperatura di deposito:	Da -20°C a +60°C
Umidità permmissibile:	Dal 30% al 90% (senza condensa)
Dimensioni (L × A × P):	??? × ??? × ??? mm
Peso:	?? kg circa
Rifinitura	Vernice avorio AV (colore simile a Munsell 7.9Y6.8/0.8)

Il peso e le dimensioni indicati sono approssimativi.

Dati tecnici soggetti a modifiche senza avviso.

Introduzione

- Questo controllore di teste panoramica orizzontale/verticale permette di controllare fino a cinque teste di panoramica orizzontale/verticale interne AW-PH400.
- Collegando al controllore il pannello di comando a distanza AW-CB400 o la scatola di comando a distanza WV-CB700A, si possono controllare allo stesso tempo le videocamere convertibili montate sulle teste di panoramica orizzontale/verticale.
- Installando un controllore aggiuntivo, si possono controllare allo stesso tempo due delle cinque unità nel sistema di teste panoramica orizzontale/verticale.
- Possibilità di accomodare fino a dieci memorie di tracciamento.
- Si possono regolare fino a 50 memorie di preselezione.

- La distanza di collegamento tra il controllore e il sistema di teste panoramica orizzontale/verticale può essere estesa fino a un massimo di 500 metri.

NOTE

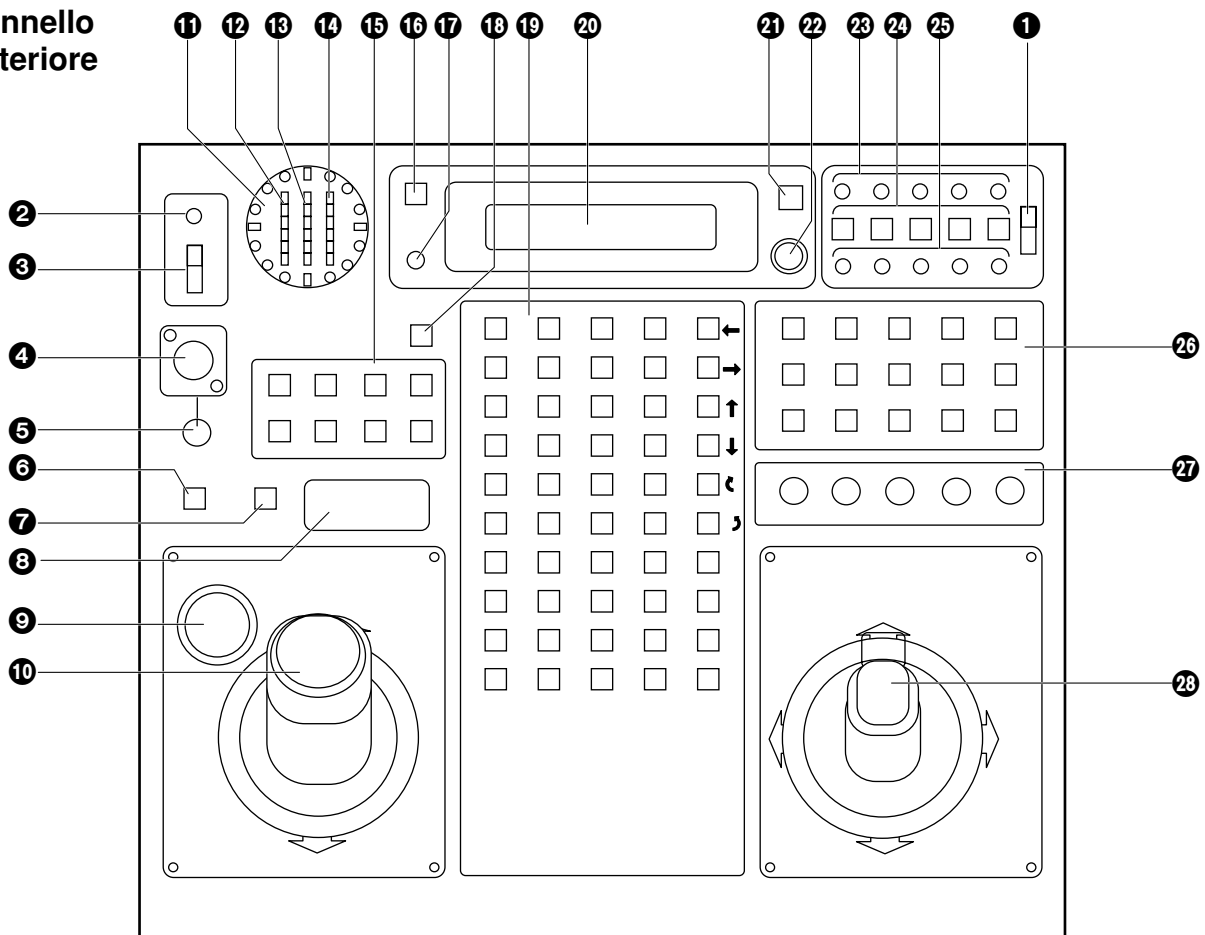
- L'AW-RP400 non può essere usato per controllare i modelli di teste di panoramica orizzontale/verticale AW-PH300, AW-PH300A, AW-PH350, AW-PH500 o AW-PH600.
- Prima di usare il controllore, bisogna assolutamente regolare la gamma di movimento (fine corsa) del sistema di teste panoramica orizzontale/verticale.
- Per proteggere l'ambiente al momento di disfarsi del controllore AW-RP400 alla fine della sua vita di servizio, rivolgersi a un esperto per il modo di farlo correttamente.

Accessori

Interruttore zoom	1
Spina (D-SUB 15 pin) per sistema tally/INCOM.....	1 gruppo
Adattatori di montaggio su rack	2
Viti di montaggio (M4 × 8 mm)	4

Parti e loro funzioni

■ Pannello anteriore



1 Interruttore EXT CONT [M/S]

Questo interruttore va normalmente lasciato sulla posizione [M] (master).

Se si è installato un controllore AW-RP400 addizionale, regolare l'interruttore EXT CONT dell'unità addizionale su [S] (slave).

Se non si installa un controllore AW-RP400 addizionale, bisogna assolutamente regolare l'interruttore EXT CONT di questo controllore sulla posizione [M] (master).

2 Spia OPERATE

Si accende verde quando si posiziona l'interruttore OPERATE (3) su ON. Essa si spegne quando si posiziona l'interruttore su OFF.

3 Interruttore OPERATE [ON/OFF]

Posizionando questo interruttore su [ON], si alimenta la corrente dalle teste di panoramica orizzontale/verticale collegate alle videocamere abilitando il controllo del sistema.

Posizionandolo su [OFF], si interrompe la corrente alimentata dalle teste di panoramica orizzontale/verticale alle videocamere.

NOTA

Se si installa e si usa un controllore AW-RP400 addizionale, non è possibile esercitare il controllo dal controllore slave se gli interruttori OPERATE non solo del controllore slave ma anche del controllore master non sono posizionati su [ON]. Regolare per primo su [ON] l'interruttore OPERATE del controllore slave prima di posizionare su [ON] l'interruttore OPERATE del controllore master.

4 Presa INCOM

La cuffia INCOM (intercomunicazione) va collegata qui.

5 Controllo LEVEL

Usarlo per regolare il volume del ricevitore della cuffia.

6 Tasto CALL

Quando si preme questo tasto, il cicalino del controllore collegato suona e la spia del tasto CALL si accende.

Parti e loro funzioni

7 Tasto IRIS [AUTO/MANU/LOCK]

Usarlo per selezionare il metodo di regolazione del diaframma dell'obiettivo delle videocamere nel sistema di teste panoramica orizzontale/verticale correntemente selezionato.

Ogni volta che lo si preme, la regolazione cambia nella sequenza AUTO, MANU e LOCK.

AUTO: Le videocamere regolano automaticamente il diaframma dell'obiettivo secondo la quantità di luce, e la spia del tasto IRIS si accende.

MANU: Il diaframma dell'obiettivo può essere regolato manualmente usando la manopola IRIS. A questa regolazione, la spia del tasto IRIS è spenta.

LOCK: Il diaframma dell'obiettivo è bloccato alla regolazione regolata manualmente. Esso non si muove anche se si gira la manopola IRIS (9). In questo stato, la spia del tasto IRIS lampeggia lentamente.

Mentre è selezionato MANU o LOCK, la spia del tasto IRIS comincia a lampeggiare velocemente quando si gira la manopola IRIS: ciò indica che il diaframma dell'obiettivo non può essere controllato anche se si gira la manopola IRIS (9).

- Il tasto IRIS del controllore non funziona se si è collegata la scatola di comando a distanza WV-CB700A al controllore. Selezionare AUTO o MANU usando il tasto IRIS [AUTO/MAN] della WV-CB700A.

8 Slot SD CARD

Questo è lo slot dove si inseriscono le schede di memoria SD.

Su queste schede si possono memorizzare le regolazioni delle teste di panoramica orizzontale/verticale e delle videocamere.

9 Manopola IRIS

Il diaframma dell'obiettivo può essere regolato girando questa manopola mentre il tasto IRIS [AUTO/MANU/LOCK] (7) è regolato su MANU.

Il diaframma si apre girando la manopola in senso orario, e si chiude girandola in senso antiorario.

- La manopola IRIS del controllore non funziona se si è collegata la scatola di comando a distanza WV-CB700A al controllore. Regolare il diaframma usando il controllo IRIS della WV-CB700A.

10 Leva ZOOM/manopola FOCUS

Usare la leva ZOOM per regolare lo zoom dell'obiettivo. Le regolazioni TELE (telefoto) e WIDE (grandangolo) sono stabilite dalla direzione in cui si inclina la leva. La velocità di zoomata viene regolata dall'angolo in cui si inclina la leva.

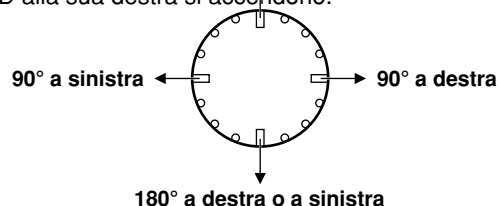
L'obiettivo si mette a fuoco usando la manopola FOCUS in cima alla leva.

11 Indicatore PAN

Vengono usati sedici LED per visualizzare la posizione della testa di panoramica orizzontale/verticale nella direzione di rotazione orizzontale per 200 gradi a destra o a sinistra.

Quando la testa di panoramica orizzontale/verticale viene ruotata a destra per più di 180 gradi fino a 200 gradi, il LED di 180 gradi lampeggia e i LED alla sua sinistra si accendono.

Quando invece la testa di panoramica orizzontale/verticale viene ruotata a sinistra per più di 180 gradi fino a 200 gradi, il LED di 180 gradi lampeggia e i LED alla sua destra si accendono.



12 Indicatore IRIS

La posizione del diaframma dell'obiettivo nel sistema di teste panoramica orizzontale/verticale correntemente selezionato viene indicata da un display di 6 passi (CLOSE → OPEN).

13 Indicatore ZOOM

La posizione dello zoom dell'obiettivo nel sistema di teste panoramica orizzontale/verticale correntemente selezionato viene indicata da un display di 6 passi (WIDE → TELE).

14 Indicatore FOCUS

La posizione di messa a fuoco dell'obiettivo nel sistema di teste panoramica orizzontale/verticale correntemente selezionato viene indicata da un display di 6 passi (NEAR → FAR).

15 Interruttori OPTION [da A a H]

Le funzioni "NOT USE", "LAMP", "DEFROSTER", "WIPER", "HEATER/FAN", "AF", "ND", "OPTION" e "EXTENDER" possono essere assegnate agli interruttori da A a H con le impostazioni con i menu.

16 Tasto HOME

Premere questo tasto per spostare la testa di panoramica orizzontale/verticale e l'unità di rotazione sulla posizione iniziale.

17 Controllo LCD CONTRAST

Usarlo per regolare il contrasto del pannello LCD.

Parti e loro funzioni

18 Tasto MEMORY

Quando si preme uno dei tasti di selezione PRESET MEMORY (19) da [1] a [50] mentre si mantiene premuto il tasto MEMORY, le regolazioni del sistema di teste panoramica orizzontale/verticale possono essere registrate in quel tasto di selezione PRESET MEMORY. Il tasto MEMORY lampeggia se la testa di panoramica orizzontale/verticale selezionata con il tasto CONTROL SELECT (24) non è collegata o non è accesa.

19 Tasti di selezione PRESET MEMORY da [1] a [50]

Usare questi tasti per richiamare le impostazioni registrate in essi. Se i dati sono stati registrati nelle memorie di tracciamento, appaiono le indicazioni del tempo di registrazione/riproduzione.

20 Pannello LCD

Su questo pannello vengono visualizzati gli stati correnti delle impostazioni.

21 Tasto MENU/LIMIT

Mantenere premuto questo tasto per due o più secondi per selezionare o deselezionare il menu di impostazione. Premendo il tasto di selezione PRESET MEMORY (19) [5], [10], [15], [20], [25] o [30] mantenendo premuto il tasto MENU/LIMIT, si può esercitare il controllo ON/OFF sui fine corsa.

22 Manopola CONT

Serve alle operazioni con i menu di impostazione.

23 Spie TALLY da [1] a [5]

Quando ai connettori TALLY/INCOM (31) da [1] a [5] del pannello posteriore vengono alimentati i segnali tally, le spie con i numeri corrispondenti a quei connettori si accendono.
Quando i segnali tally vengono alimentati ai connettori da [1] a [5] del pannello di comando a distanza AW-CB400, se esso è collegato al controllore di teste panoramica orizzontale/verticale, si accendono anche le spie con i numeri corrispondenti a quei connettori.

24 Tasti CONTROLLO SELECT da [1] a [5]

I connettori CONTROL OUT TO PAN HEAD da [P1] a [P5] (34) del pannello posteriore possono essere selezionati premendo i tasti da [1] a [5]. Le spie dei tasti corrispondenti ai numeri dei tasti selezionati si accendono, e i sistemi di teste panoramica orizzontale/verticale possono essere controllati. Collegando il connettore MONI SEL OUT (35) di questo controllore al connettore MONI SEL OUT del compensatore cavo AW-RC400, si può operare l'uscita delle immagini della videocamera collegata al connettore MONI1 o MONI2 dell'AW-RC400.

- Se si collegano due controllori AW-RP400, la combinazione dei controllori che selezionano l'uscita del monitor può essere impostata sul menu.

25 Spie ANOTHER CONTROL da [1] a [5]

Quando si collega un altro controllore AW-RP400, queste spie indicano i numeri dei sistemi di teste panoramica orizzontale/verticale selezionati dal controllore AW-RP400 addizionale.

26 Tasti TRACING MEMORY [START POINT, STOP, RESTORE, RESET, da 1 a 10]

Usarli per le operazioni con le memorie di tracciamento. Per i dettagli sulle operazioni, riferirsi alla sezione sulle memorie di tracciamento.

27 Controlli SPEED

[ZOOM/FOCUS/PAN/TILT/ROTATION]

Permettono di regolare le velocità delle teste di panoramica orizzontale/verticale, obiettivi e unità di rotazione.

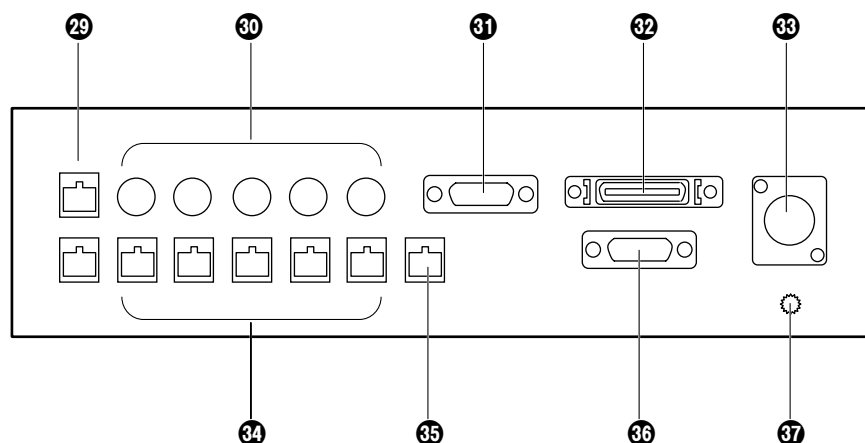
Girando questi controlli al massimo in senso antiorario, si può impedire il funzionamento delle teste di panoramica orizzontale/verticale e degli obiettivi, anche se si esercita il controllo usando il joystick, ecc.

28 Leva PAN/TILT/interruttore di controllo ROTATION

Usarli per regolare la direzione delle teste di panoramica orizzontale/verticale.
Quando si inclina la leva a destra o a sinistra, le teste di panoramica orizzontale/verticale si spostano verso destra o sinistra; quando si inclina la leva su o giù, esse si spostano in su o in giù. La velocità del movimento può essere regolata dall'angolo in cui si inclina la leva. Inoltre, l'angolo dell'unità di rotazione AW-RL400 può essere regolato usando l'interruttore di controllo ROTATION sulla parte anteriore della leva. Quando si preme la parte superiore dell'interruttore di controllo ROTATION, l'unità di rotazione ruota in senso orario; quando invece si preme la parte inferiore, essa ruota in senso antiorario. La velocità di rotazione cambia secondo la pressione esercitata sull'interruttore di controllo.

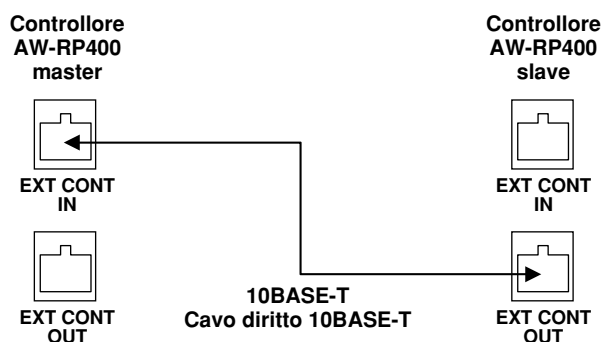
Parti e loro funzioni

■ Pannello posteriore



29 Connettori EXT CONT IN/OUT

Se si usa un controllore AW-RP400 aggiuntivo, collegare questi connettori sui due controllori AW-RP400 usando un cavo diritto 10BASE-T (equivalente alla categoria UTP 5).



30 Connettori CAMERA CONTROL IN FROM RCB da [P1] a [P5]

Collegare le scatole di comando a distanza WV-CB700A a questi connettori.

Si possono allora controllare le videocamere installate sulle teste di panoramica orizzontale/verticale corrispondenti alle porte a cui sono state collegate le scatole WV-CB700A.

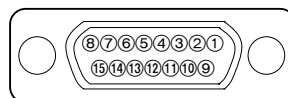
Se si è collegata anche una sola scatola WV-CB700A, le videocamere non possono essere controllate dal pannello di comando a distanza AW-CB400, anche se l'AW-CB400 è stato collegato.

31 Connettore TALLY/INCOM

Collegarlo al connettore TALLY/INCOM dello switcher video od altra unità.

Quando si regola il connettore d'ingresso TALLY al livello GND, la spia TALLY sul controllore o sulla testa di panoramica orizzontale/verticale si accende.

Non applicare a questo connettore una tensione di oltre 5V.



Disposizione dei pin vista dal pannello posteriore dell'AW-RP400

Pin No.	Nome segnale
1	TALLY1
2	TALLY2
3	TALLY3
4	TALLY4
5	TALLY5
6	TALLY GND
7	---
8	---
9	---
10	---
11	---
12	MIC+
13	MIC-
14	INCOM GND
15	SP-
16	SP+

Usare la spina accessoria (D-SUB 15 pin) per collegare i segnali TALLY/INCOM al sistema.

Collegare un sistema INCOM di 4 cavi al connettore INCOM.

Se si usa un controllore aggiuntivo o si collega il pannello di comando a distanza AW-CB400, la funzione tally o INCOM di tutte le unità diventa effettiva se i segnali tally o INCOM sono collegati a una delle unità.

Parti e loro funzioni

32 Connettore REMOTE

Collegare una unità esterna a questo connettore per controllare i sistemi di teste di panoramica orizzontale/verticale da un computer od altra unità esterna.

Collegare il connettore al computer usando il cavo RS-232C AW-CA50T9.

33 Presa DC 12V IN

Collegare l'alimentatore c.a. AW-PS505 (venduto separatamente) a questa presa.

34 Connettori CONTROL OUT TO PAN/TILT HEAD da [P1] a [P5]

Collegare questi connettori ai connettori IP/RP delle teste di panoramica orizzontale/verticale interne usando cavi diritti 10BASE-T (equivalenti alla categoria UTP 5). I cavi possono essere estesi fino a un massimo di 500 metri.

35 Connettore MONI SEL OUT

Collegare questo connettore al connettore MONI SEL OUT del compensatore cavo AW-RC400 usando un cavo diritto 10BASE-T (equivalente alla categoria UTP 5).

Le immagini della videocamera selezionata con il controllore possono allora uscire dal connettore MONITOR1 o MONITOR2 dell'AW-RC400.

36 Connettore CAMERA CONTROL IN FROM RCP

Collegare il pannello di comando a distanza AW-CB400 a questo connettore usando il cavo di collegamento in dotazione all'AW-CB400.

Le videocamere installate sulle teste di panoramica orizzontale/verticale possono allora essere controllate dall'AW-CB400.

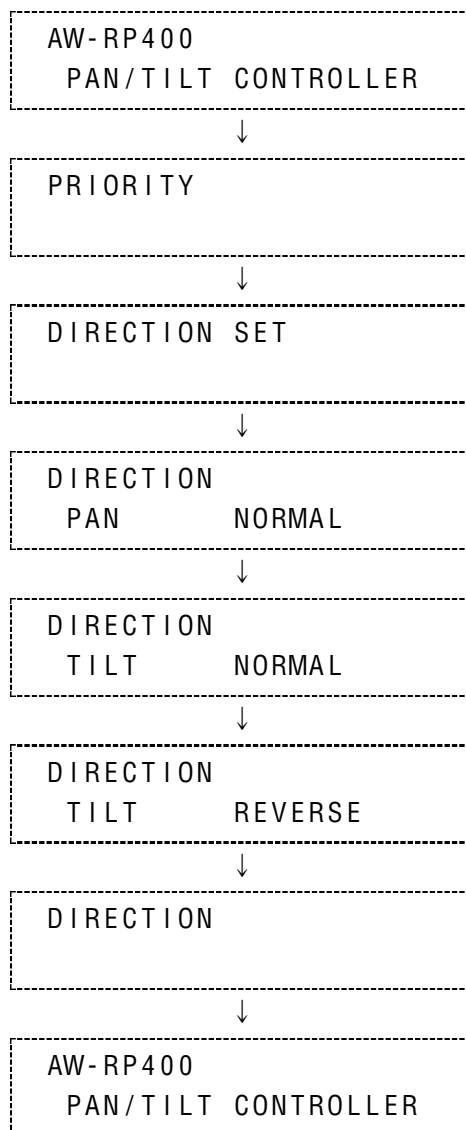
37 Terminale di massa

Mettere a terra questo terminale.

Impostazioni con i menu

Metodo operativo

- ① Le opzioni di impostazione con i menu vengono visualizzate quando si mantiene premuto l'interruttore MENU/LIMIT per due o più secondi.
- ② Se sull'ultima riga del display non appare niente, girare la manopola CONT per selezionare l'opzione di un menu.
- ③ Quando si preme la manopola CONT, ciò che si è impostato appare sull'ultima riga. Se c'è più di una impostazione dell'opzione del menu, le impostazioni sull'ultima riga cambiano ogni volta che si preme la manopola.
- ④ Quando una impostazione è visualizzata, essa può essere cambiata girando la manopola CONT.
- ⑤ Premere in successione la manopola CONT: tutte le impostazioni dettagliate finiscono e l'indicazione sull'ultima riga viene cancellata, permettendo di selezionare un'altra opzione del menu.
- ⑥ Per uscire dal menu di impostazione, mantenere premuto l'interruttore MENU/LIMIT per due o più secondi. Anche se sull'ultima riga del pannello LCD è visualizzata una impostazione, mantenendo premuto l'interruttore MENU/LIMIT per due o più secondi si esce dal menu.



Impostazioni con i menu

■ Elenco delle opzioni e impostazioni dei menu

Opzione menu	Impostazione	Descrizione	Valore iniziale
PRIORITY		MASTER, SLAVE	MASTER
DIRECTION	PAN	NORMAL, REVERSE	NORMAL
	TILT		
	ZOOM		
	FOCUS		
	IRIS		
	ROTATION		
SPEED WITH ZOOM POS.		OFF, 1, 2, 3	OFF
MEMORY LENGTH		60s, 120s, 300s, 600s	60s
PRESET SPEED		1 a 25	25
IRIS CONTROL		BOTH, RP400, CB400	BOTH
ROTATION SWITCH		ROTATION, FOCUS, ZOOM, IRIS	ROTATION
OPTION SWITCH	A	NOT USE, LAMP, EFROSTER, WIPER, HEATER/FAN, AF, ND, OPTION, EXTENDER	NOT USE
	B		
	C		
	D		
	E		
	F		
	G		
H			
CONTROL SELECT MODE		INTERLOCK, UN-INTERLOCK	INTERLOCK
MONITOR2 SELECT	(Quando il controllore è il master)	CB400, SLAVE	CB400
	(Quando il controllore è lo slave)	RP400, CB400	RP400
BUZZER		OFF, ON	ON
AUTO RUN	START No.	1 a 50	1
	END No.	1 a 50	50
	INTERVAL	1s a 30s	1s
	OPERATE	STOP, RUN	STOP
SD CARD		STORE, LOAD	---

PRIORITÀ (MASTER/SLAVE)

Se si collegano due controllori di teste di panoramica orizzontale/verticale AW-RP400, bisogna impostare la priorità dei tasti CONTROL SELECT.

Quando come impostazione si seleziona MASTER, l'AW-RP400 master ha la priorità; quando invece si seleziona SLAVE, ha la priorità l'AW-RP400 slave.

Se il controllore AW-RP400 con un'alta priorità ha selezionato le teste di panoramica orizzontale/verticale che erano state selezionate dal controllore AW-RP400 con una bassa priorità, le spie dei tasti CONTROL SELECT del controllore AW-RP400 con bassa priorità cominciano a lampeggiare per indicare che i diritti al controllo sono stati ceduti all'altro controllore. Questa impostazione si esegue usando il controllore AW-RP400 master.

Impostazioni con i menu

Impostazioni DIRECTION (PAN, TILT, ZOOM, FOCUS, IRIS, ROTATION NORMAL/REVERSE)

Quando si usa la leva o la manopola, l'opzione del menu DIRECTION abilita l'impostazione della direzione operativa di PAN, TILT, ZOOM, FOCUS, IRIS o ROTATION desiderata dall'utente.

- PAN:** Quando si seleziona NORMAL, la testa di panoramica orizzontale/verticale si sposta verso sinistra quando si inclina la leva PAN/TILT verso LEFT, e si sposta verso destra quando la si inclina verso RIGHT. Quando si seleziona REVERSE, la testa si sposta nella direzione opposta.
- TILT:** Quando si seleziona NORMAL, la testa di panoramica orizzontale/verticale si sposta in su quando si inclina la leva PAN/TILT verso UP, e si sposta in giù quando la si inclina verso DOWN. Quando si seleziona REVERSE, la testa si sposta nella direzione opposta.
- ZOOM:** Quando si seleziona NORMAL, lo zoom dell'obiettivo si sposta verso l'estremità telefoto quando si inclina la leva ZOOM verso TELE, e si sposta verso l'estremità grandangolo quando la si inclina verso WIDE. Quando si seleziona REVERSE, lo zoom si sposta nella direzione opposta.
- FOCUS:** Quando si seleziona NORMAL, la messa a fuoco dell'obiettivo si sposta verso FAR quando si gira la manopola FOCUS in senso orario, e si sposta verso NEAR quando la si gira in senso antiorario. Quando si seleziona REVERSE, la messa a fuoco dell'obiettivo si sposta nella direzione opposta.
- IRIS:** Quando si seleziona NORMAL, il diaframma dell'obiettivo si sposta verso l'apertura quando si gira la manopola IRIS in senso orario, e si sposta verso la chiusura quando la si gira in senso antiorario. Quando si seleziona REVERSE, il diaframma dell'obiettivo si sposta nella direzione opposta.
- ROTATION:** Quando si seleziona NORMAL, la testa di panoramica orizzontale/verticale si sposta in senso orario quando si preme la parte superiore dell'interruttore di controllo ROTATION, e si sposta in senso antiorario quando si preme la parte inferiore. Quando si seleziona REVERSE, la testa si sposta nella direzione opposta.

Impostazione SPEED WITH ZOOM POS. (OFF/1/2/3)

Alla regolazione OFF, la velocità di panoramica orizzontale e verticale non cambia secondo la posizione dello zoom.

Alla regolazione 1, 2 o 3, la panoramica orizzontale e verticale della testa di panoramica orizzontale/verticale rallenta con l'avvicinarsi dello zoom all'estremità telefoto, rendendo più facile la regolazione della posizione di panoramica orizzontale o verticale anche all'estremità telefoto.

Quanto più alto è il numero selezionato per la regolazione, tanto più lenta è la velocità di panoramica orizzontale o verticale all'estremità telefoto, ed è tanto più facile regolare la posizione usando un obiettivo zoom con un alto rapporto d'ingrandimento.

Impostazione PRESET SPEED (da 1 a 25)

Durante la riproduzione dei dati della memoria di preselezione, questa opzione del menu permette di regolare a uno dei 25 passi la velocità di movimento alle posizioni preselezionate. Quanto più alta è l'impostazione, tanto più veloce è la velocità di movimento alle posizioni preselezionate; quanto più bassa è l'impostazione, tanto più lenta è la velocità di movimento.

Impostazione IRIS CONTROL (BOTH/RP400/CB400)

Se si è collegato il pannello di comando a distanza AW-CB400 al controllore AW-RP400, questa opzione del menu serve a impostare il controllore da usare per la regolazione del diaframma dell'obiettivo.

Alla impostazione BOTH, il diaframma dell'obiettivo può essere controllato da entrambi l'AW-RP400 e l'AW-CB400. Alla impostazione RP400, esso può essere controllato soltanto dall'AW-RP400; allo stesso modo, alla impostazione CB400, esso può essere controllato soltanto dall'AW-CB400.

Impostazione ROTATION SWITCH (ROTATION/FOCUS/ZOOM/IRIS)

Questa opzione del menu permette di selezionare ROTATION, FOCUS, ZOOM o IRIS come funzione da controllare con l'interruttore ROTATION.

Impostazioni con i menu

Impostazioni OPTION SWITCH da A a H

(NOT USE / DEFROSTER / WIPER / HEATER/FAN / AUTO FOCUS / ND / OPTION / EXTENDER)

Le funzioni seguenti possono essere assegnate ai tasti OPTION da A a H. Si possono assegnare funzioni diverse per le diverse teste di panoramica orizzontale/verticale.

- NOT USE:** Il tasto viene disabilitato.
- DEFROSTER:** Controlla gli stati ON e OFF della funzione dello sbrinatoro quando si usa un sistema di teste panoramica orizzontale/verticale dotato di questa funzione.
Ogni volta che si preme il tasto, ON diventa OFF o viceversa.
Quando la funzione dello sbrinatoro è ON, la spia del tasto a cui questa funzione è stata assegnata è accesa; quando è OFF, la spia è spenta.
- WIPER:** Controlla gli stati ON e OFF della funzione del tergicristallo quando si usa un sistema di teste panoramica orizzontale/verticale dotato di questa funzione.
Ogni volta che si preme il tasto, ON diventa OFF o viceversa.
Quando la funzione del tergicristallo è ON, la spia del tasto a cui questa funzione è stata assegnata è accesa; quando è OFF, la spia è spenta.
- HEATER/FAN:** Controlla gli stati ON e OFF della funzione del riscaldatore/ventola quando si usa un sistema di teste panoramica orizzontale/verticale dotato di questa funzione.
Ogni volta che si preme il tasto, ON diventa OFF o viceversa.
Quando la funzione del riscaldatore/ventola è ON, la spia del tasto a cui questa funzione è stata assegnata è accesa; quando è OFF, la spia è spenta.
- OPTION:** Controlla gli stati di corto circuito e di circuito aperto del connettore OPTION CONTROL OUT dell'alimentatore c.a. quando si usa un alimentatore c.a. per un sistema di teste panoramica orizzontale/verticale dotato della funzione di controllo dell'interruttore OPTION.
Ogni volta che si preme il tasto, il corto circuito diventa aperto, o viceversa.
Con il corto circuito, la spia del tasto a cui è stata assegnata questa funzione è accesa; con il circuito aperto la spia è spenta.
- ND:** Controlla gli stati ON e OFF del filtro ND quando si usa un obiettivo dotato di un filtro ND.
Ogni volta che si preme il tasto, ON diventa OFF o viceversa.
Quando il filtro ND è ON, la spia del tasto a cui questa funzione è stata assegnata è accesa; quando è OFF, la spia è spenta.
- EXTENDER:** Controlla gli stati ON e OFF della prolunga quando si usa un obiettivo dotato di prolunga.
Ogni volta che si preme il tasto, ON diventa OFF o viceversa.
Quando la prolunga è ON, la spia del tasto a cui questa funzione è stata assegnata è accesa; quando è OFF, la spia è spenta.
- AF:** Controlla gli stati ON e OFF della funzione di messa a fuoco automatica quando si usa un obiettivo dotato di questa funzione.
Ogni volta che si preme il tasto, ON diventa OFF o viceversa.
Quando la funzione di messa a fuoco automatica è ON, la spia del tasto a cui questa funzione è stata assegnata è accesa; quando è OFF, la spia è spenta.

Impostazione MEMORY LENGTH (60s/120s/300s/600s)

Questa opzione del menu serve a impostare il tempo di registrazione dei dati delle memorie di tracciamento e il numero di memorie.

- 60s** : 60 sec. × 10 memorie
120s : 120 sec. × 5 memorie
300s : 300 sec. × 2 memorie
600s : 600 sec. × 1 memoria

- Se in una memoria di tracciamento sono stati già scritti i dati, l'impostazione per il tempo di registrazione e il numero di memorie non può essere cambiata. Per cambiare una impostazione, cancellare prima i dati registrati nella memoria di tracciamento.

Impostazione CONTROL SELECT MODE (INTERLOCK/UN-INTERLOCK)

Questa opzione del menu serve a selezionare il metodo usato per selezionare la testa di panoramica orizzontale/verticale e la videocamera quando si è collegato il pannello di comando a distanza AW-CB400 al controllore AW-RP400.

- INTERLOCK:** Quando il sistema di teste panoramica orizzontale/verticale e videocamere viene selezionato dall'AW-RP400 o dall'AW-CB400, lo stesso sistema viene selezionato anche dall'altra unità.
- UN-INTERLOCK:** Con l'AW-RP400 e l'AW-CB400 si può selezionare un sistema di teste panoramica orizzontale/verticale e videocamere diverso.

Impostazioni con i menu

Impostazione MONITOR SELECT

Questa opzione del menu serve a selezionare il controllore usato per selezionare le immagini dell'uscita MONITOR2 dell'AW-RC400 quando a questo controllore AW-RP400 si è collegato il pannello di comando a distanza AW-CB400 e un secondo AW-RP400 e si usa il compensatore cavo AW-RC400.

Impostando l'AW-RP400 master e l'AW-RP400 slave, le immagini della videocamera selezionate con il controllore indicato nella tabella sotto escono come uscita monitor dell'AW-RC400.

Impostazione menu AW-RP400		AW-RC400	
Unità master	Unità slave	MONITOR1	MONITOR2
MON2 = CB400	MONITOR2 = impostazione disabilitata	RP400 master	CB400 master
MON2 = SLAVE	MONITOR2 = RP400	RP400 master	RP400 slave
	MONITOR2 = CB400	RP400 master	CB400 slave

Se il compensatore cavo è stato collegato all'AW-RP400 slave, le immagini selezionate con l'AW-RP400 slave vengono inviate a MONITOR1 dell'AW-RP400, e le immagini selezionate con l'AW-CB400 slave vengono inviate a MONITOR2 indipendentemente da questa impostazione.

Impostazione BUZZER (OFF/ON)

Questa opzione del menu serve a selezionare ON o OFF per il cicalino all'interno del controllore. Il cicalino non suona alla impostazione OFF.

Il cicalino suona quando si preme il tasto CALL o si comincia, sospende o termina una operazione con la memoria di tracciamento (registrazione, riproduzione o cambiamento).

Impostazione AUTO RUN (START No., END No., INTERVAL)

Questa opzione del menu permette di ripetere automaticamente le preselezioni della testa di panoramica orizzontale/verticale.

START No. (da 1 a 50): Imposta il primo numero della preselezione da ripetere.

END No. (da 1 a 50): Imposta l'ultimo numero della preselezione da ripetere.

INTERVAL (da 1s a 30s): Imposta il tempo di stop sulla posizione presente.
Per il tempo di stop si possono impostare fino a 30 secondi in incrementi di 1 secondo.

OPERATE (STOP/RUN): Quando si seleziona RUN, le preselezioni da START No. a END No. vengono riprodotte ripetutamente; quando si preme STOP, l'operazione si arresta.
Quando si aziona la leva PAN/TILT, viene selezionato automaticamente STOP e l'operazione si arresta.

Impostazione SD CARD

I dati di impostazione con i menu di questo controllore, i dati delle memorie di preselezione delle teste di panoramica orizzontale/verticale e i dati di impostazione delle videocamere possono essere memorizzati nelle schede di memoria SD. Quando si preme il tasto MENU mentre è visualizzato STORE, i dati di impostazione vengono memorizzati nella scheda di memoria SD.

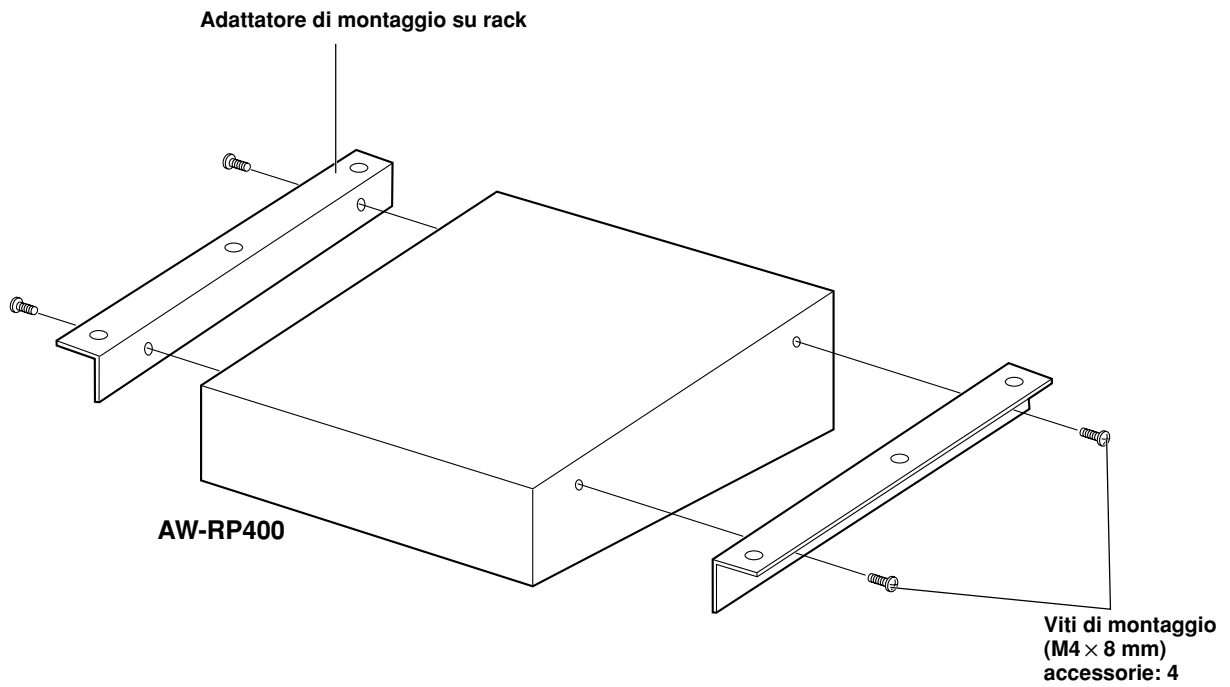
Quando si preme il tasto MENU mentre è visualizzato LOAD, i dati memorizzati nella scheda di memoria vengono richiamati e le impostazioni vengono caricate nel controllore, teste di panoramica orizzontale/verticale e videocamere.

- I dati delle memorie di tracciamento non vengono memorizzati.

Esempio di montaggio su rack

■ Modo di montare l'AW-RP400 su un rack

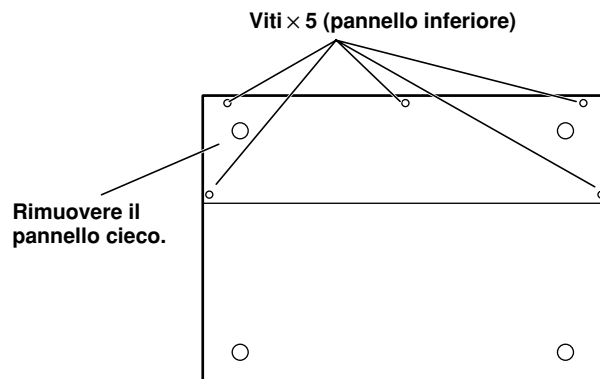
- ① Usare le viti di montaggio (M4 × 8 mm) accessorie per attaccare gli adattatori di montaggio su rack.



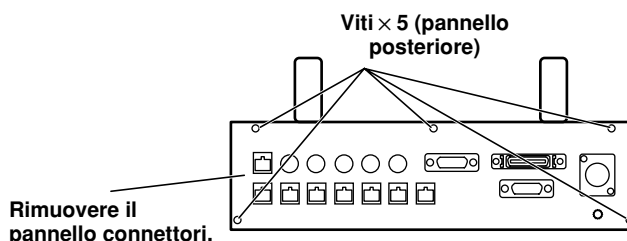
Esempio di montaggio su rack

■ Modo di cambiare la direzione del pannello connettori

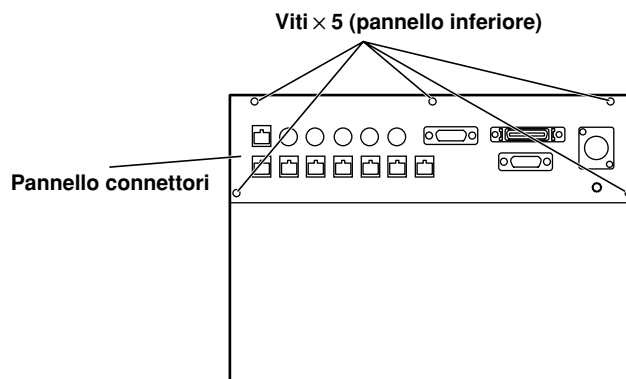
- ① Togliere le cinque viti del pannello inferiore e rimuovere il pannello cieco.



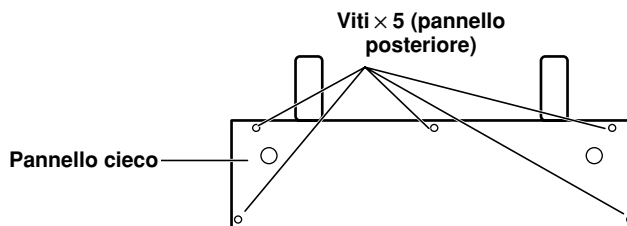
- ② Togliere le cinque viti del pannello posteriore e rimuovere il pannello connettori.



- ③ Fissare il pannello connettori al pannello inferiore usando le viti.



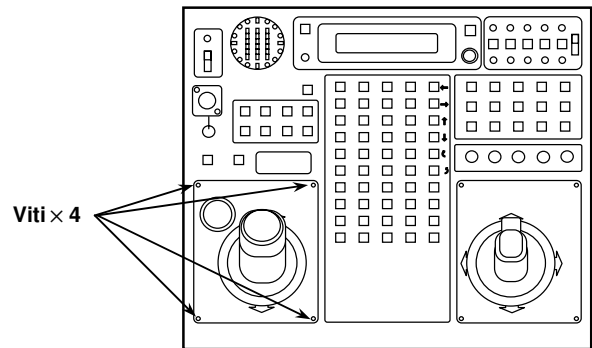
- ④ Fissare il pannello cieco al pannello posteriore usando le viti.



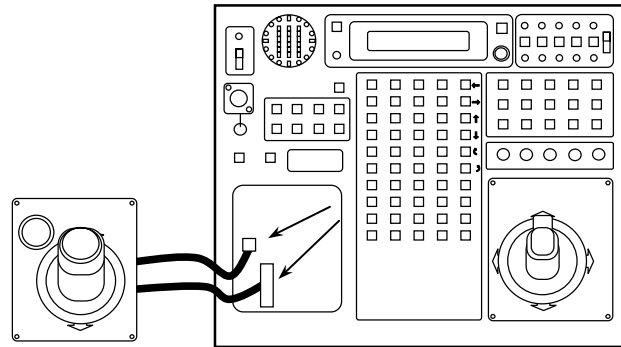
Esempio di montaggio su rack

■ Modo di sostituire l'interruttore zoom

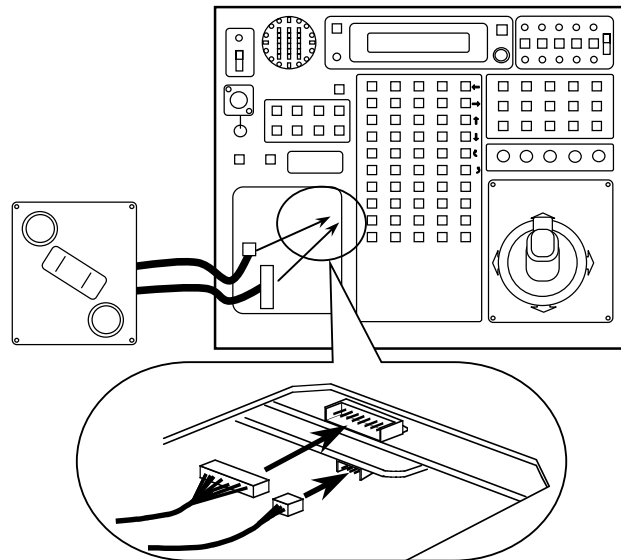
- ① Togliere le quattro viti che fissano la leva zoom.



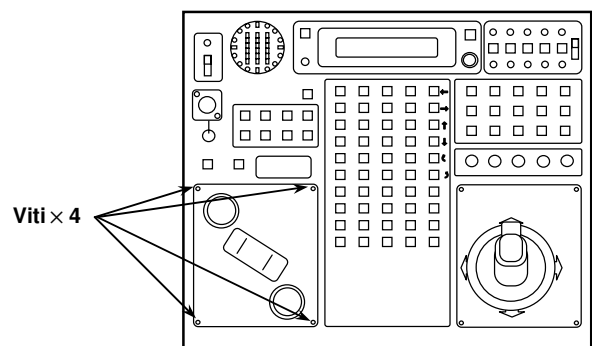
- ② Tirar fuori la leva zoom, staccare i due cavi dalla scheda dei circuiti all'interno e rimuovere la leva zoom.



- ③ Inserire i due cavi che si estendono dall'interruttore zoom nei connettori della scheda dei circuiti all'interno.



- ④ Fissare l'interruttore zoom usando le quattro viti.



Sostituzione delle parti consumabili

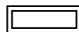
I joystick e l'interruttore zoom sono parti consumabili.

Sostituirli se non funzionano correttamente.

Chiedere al rivenditore di eseguire il lavoro di sostituzione.

Dati tecnici

Alimentazione:	C.c. da 10,8V a 16V
Assorbimento di corrente:	11 W circa

 sono le informazioni sulla sicurezza.

Connettori d'ingresso

DC 12V IN: XLR, 4 pin
 CONTROL IN FROM ROP: D-SUB 15 pin, cavo in dotazione al pannello di comando a distanza AW-CB400
 CONTROL IN FROM RCB: Connettore rotondo 10 pin, cavo in dotazione alla WV-CB700A
 EXT CONT IN: RJ45, ingresso segnale di controllo AW-RP400 addizionale; cavo diritto 10BASE-T (categoria UTP 5), 500 metri max.
 REMOTE: Connettore D-SUB 50 pin, ingresso di controllo esterno, AW-CA50T9

Connettori d'uscita

CONTROL OUT TO PAN/TILT HEAD: RJ45, uscita segnale di controllo testa di panoramica orizzontale/verticale; cavo diritto 10BASE-T (categoria UTP 5), 500 metri max.
 MONI SEL OUT: RJ45, uscita segnale di selezione monitor; cavo diritto 10BASE-T (categoria UTP 5), 50 metri max.
 EXT CONT OUT: RJ45, uscita segnale di controllo AW-RP400 addizionale; cavo diritto 10BASE-T (categoria UTP 5), 500 metri max.

Connettori d'ingresso/uscita

INCOM (pannello superiore): XLR, 4 pin
 TALLY/INCOM: D-SUB 15 pin
 TALLY: Ingresso a contatto (Non alimentare una tensione di oltre 5V a questo connettore.)
 INCOM: Sistema di 4 cavi

Funzioni interruttori:

Selezione master/slave, controllo OPERATE, posizione iniziale, interruttore menu/fine corsa, operazioni con funzioni opzionali, selezione testa di panoramica orizzontale/verticale, selezione AUTO/MANU/LOCK diaframma obiettivo, operazioni con i dati memorie di preselezione, operazioni con i dati memorie di tracciamento, richiamo

Funzioni di regolazione:

Contrasto LCD, livello INCOM, diaframma obiettivo, zoom, messa a fuoco, rotazione di panoramica orizzontale/verticale, velocità zoom, velocità di messa a fuoco, velocità di panoramica orizzontale, velocità di panoramica verticale, velocità di rotazione, impostazioni con i menu

Temperatura d'esercizio: Da -10°C a +45°C

Temperatura di deposito: Da -20°C a +60°C

Umidità permmissibile: Dal 30% al 90% (senza condensa)

Dimensioni (L × A × P): 320 × 85 × 266 mm

Peso: ?? kg circa

Rifinitura: Colore simile a Munsell 3.5

Il peso e le dimensioni indicati sono approssimativi.

Dati tecnici soggetti a modifiche senza avviso.

Introduzione

- L'AW-RC400 è in grado di provvedere la compensazione del cavo per i segnali compositi analogici, Y/C analogici o componenti analogici in cinque canali fino a 500 metri (quando si usa un cavo di collegamento 5C-2V o equivalente).
- Esso è dotato di una funzione avanzata 5µs per i segnali di sincronizzazione, in modo da provvedere un comodo supporto per un sistema (è necessario un altro compensatore cavo) in cui il cavo coassiale collegato tra questo compensatore cavo AW-RC400 e la videocamera è più lungo di 500 metri.

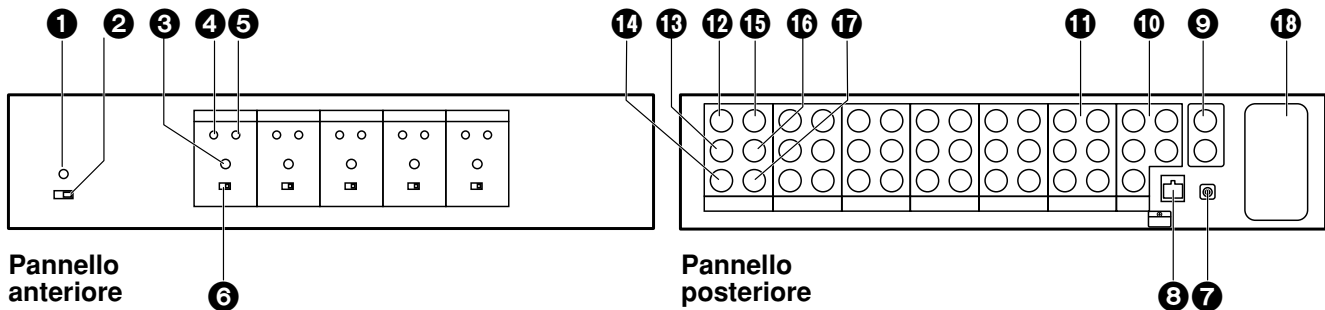
NOTE

- Alimentare segnali di sincronizzazione al connettore d'ingresso del segnale di sincronizzazione del compensatore cavo AW-RC400, o segnali video d'ingresso a uno dei canali video (alimentare segnali compositi o segnali Y con sincronizzazione al connettore d'ingresso video 1). Se questi tipi di segnali non vengono alimentati, la selezione del monitor non può essere controllata.
- Il controllore AW-RP400 provvede la compensazione del cavo per i tre canali dei segnali Y, Pr e Pb mediante un singolo controllo. Ciò significa che i segnali Y, Pr e Pb non possono essere regolati separatamente. Allo stesso modo, i segnali Y e C non possono essere regolati separatamente.
- L'AW-RC400 è un compensatore cavo, per cui non è dotato delle funzioni di conversione del segnale (per esempio, per convertire i segnali componenti in segnali compositi).
- Se bisogna disfarsi del compensatore cavo alla fine della sua vita di servizio, rivolgersi ad un esperto per il modo di farlo correttamente per proteggere l'ambiente.

Accessori

Adattatori di montaggio su rack	2
Viti di montaggio (M4 × 8 mm)	4

Parti e loro funzioni



1 LED di alimentazione

Si accende verde quando si posiziona l'interruttore POWER (2) su ON mentre viene alimentata una tensione c.c. di 12V alla presa DC 12V IN (7).

2 Interruttore POWER

Posizionarlo su ON per accendere il compensatore cavo. Parte del circuito di alimentazione di corrente rimane sotto tensione anche se l'interruttore si trova sulla posizione OFF. Per interrompere completamente la corrente, staccare l'alimentatore c.a.

3 Interruttori di regolazione lunghezza cavo [da 0 a 5]

Regolare questi interruttori secondo la lunghezza del cavo coassiale collegato. [0] produce l'entità di compensazione minima del cavo, e [5] quella massima. Come principio generale, regolare [1] se il cavo coassiale ha una lunghezza di 100 metri, e [2] se ha una lunghezza di 200 metri.

4 Controllo Y LEVEL

Serve a regolare il livello d'uscita dei segnali d'uscita di compensazione del cavo (uscita video).

5 Controllo F RESPONSE

Serve a regolare l'entità di compensazione del cavo (compensazione della risposta in frequenza) per i segnali d'uscita di compensazione del cavo.

6 Interruttore di selezione SHORT/LONG

Va normalmente usato sulla posizione SHORT. Posizionarlo su LONG se il cavo coassiale dalla videocamera è lungo e la gamma di regolazione della sincronizzazione della videocamera è insufficiente, o se si usa il compensatore cavo come parte di un sistema (è necessario un altro compensatore cavo) in cui il cavo coassiale (5C-2V o equivalente) collegato alla videocamera è più lungo di 500 metri.

7 Presa DC 12V IN

Questa è la presa d'ingresso di corrente. Collegare qui l'alimentatore c.a. AW-PS301 (venduto separatamente).

8 Connettore MONI SEL IN

I segnali di controllo per la selezione dei segnali video inviati al connettore MONITOR1 o 2 vengono alimentati a questo connettore. Collegarlo al connettore MONI SEL OUT del controllore di teste panoramica orizzontale/verticale AW-RP400 usando un cavo diretto 10BASE-T (equivalente alla categoria UTP 5). Diventa allora possibile inviare al connettore MONITOR1 o MONITOR2 i segnali video della videocamera selezionata con l'AW-RP400 o con il pannello di comando a distanza AW-CB400 collegato all'AW-RP400.

9 Connettori G/L IN

I segnali di sincronizzazione (segnali burst del nero) vengono alimentati qui. Questi connettori vengono automaticamente terminati internamente da una resistenza di 75 ohm. I connettori superiore e inferiore hanno le stesse specifiche, e i segnali possono essere collegati all'uno o all'altro. La terminazione viene rilasciata se si collegano cavi BNC ad entrambi i connettori d'ingresso (quando vengono usati in una configurazione ad anello passante).

10 Connettori G/L OUT [da 1 a 5]

I segnali genlock alimentati ai connettore G/L IN possono essere distribuiti e inviati a cinque videocamere. Usare le uscite dei segnali di sincronizzazione da 1 a 5 corrispondenti ai canali dei segnali video da 1 a 5. I segnali del connettore uscita segnale sincronizzazione 1 vengono alimentati alla videocamera collegata al connettore d'ingresso video 1.

Parti e loro funzioni

11 Connettori MONITOR1, 2

I segnali video delle videocamere selezionate con il controllore di teste panoramica orizzontale/verticale AW-RP400 o con il pannello di comando a distanza AW-CB400 collegato all'AW-RP400 escono da questi connettori.

I segnali d'uscita sono segnali con compensazione cavo dello stesso tipo dei segnali d'ingresso. Per esempio, se si seleziona un canale a cui sono alimentati segnali compositi, viene eseguita la compensazione cavo di questi segnali compositi e la loro uscita.

12 Connettori Y/VIDEO IN [da 1 a 5]

A questi connettori vengono alimentati i segnali video analogici.

Essi sono terminati internamente da una resistenza di 75 ohm.

Vengono alimentati i segnali Y (segnali componenti o Y dei segnali Y/C con sincronizzazione) o i segnali video (compositi).

13 Connettori Pr/C IN [da 1 a 5]

A questi connettori vengono alimentati i segnali video analogici.

Essi sono terminati internamente da una resistenza di 75 ohm.

Vengono alimentati i segnali Pr (R-Y dei segnali componenti) o i segnali C (C dei segnali Y/C).

14 Connettori Pb IN [da 1 a 5]

A questi connettori vengono alimentati i segnali video analogici.

Essi sono terminati internamente da una resistenza di 75 ohm.

Vengono alimentati i segnali Pb (B-Y dei segnali componenti).

15 Connettori Y/VIDEO OUT [da 1 a 5]

Da questi connettori escono i segnali video analogici.

Escono i segnali Y o VIDEO (compositi) con compensazione cavo corrispondenti ai segnali d'ingresso. Escono i segnali Y se ai connettori Y/VIDEO IN [da 1 a 5] sono stati alimentati segnali Y componenti, o i segnali compositi se sono stati alimentati segnali compositi.

16 Connettori Pr/C OUT [da 1 a 5]

Da questi connettori escono i segnali video analogici.

Escono i segnali Pr o C con compensazione cavo corrispondenti ai segnali d'ingresso. Escono i segnali Pr se ai connettori Pr/C IN [da 1 a 5] sono stati alimentati segnali Pr, o i segnali C se sono stati alimentati segnali C.

17 Connettori Pb OUT [da 1 a 5]

Da questi connettori escono i segnali video analogici.

Escono i segnali Pb con compensazione cavo se ai connettori Pb IN [da 1 a 5] sono stati alimentati segnali Pb.

18 Spazio di conservazione alimentatore c.a.

L'alimentatore c.a. può essere riposto qui se la temperatura ambiente del posto in cui è installato il compensatore cavo è inferiore ai 30°C. Togliere le due viti e rimuovere il coperchio dello spazio di conservazione. Tirar fuori l'alimentatore c.a. AW-PS301 e metterlo via accertandosi che il cavo non subisca sollecitazioni. Si potrebbe verificare un malfunzionamento dell'alimentatore c.a. se la temperatura ambiente supera i 30°C, nel qual caso esso non va conservato in questo spazio.

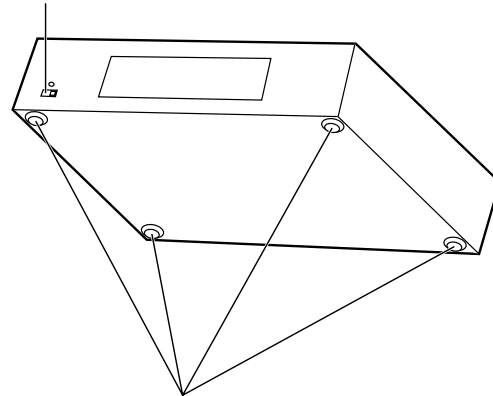
Esempio di montaggio su rack

■ Modo di montare l'AW-RC400 su un rack

Per montare l'unità su un rack, usare gli adattatori di montaggio su rack e le viti di montaggio (M4 × 8 mm) accessori.

- ① Premere l'interruttore POWER per spegnere l'unità.
- ② Rimuovere i quattro piedini dal fondo dell'unità.

Interruttore POWER

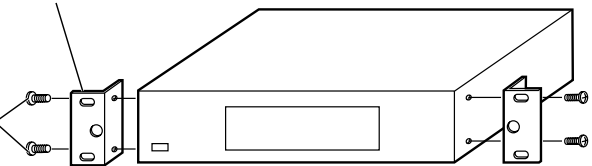


Rimuovere i quattro piedini

- ③ Mettere gli adattatori di montaggio su rack ad entrambe le estremità dell'unità e fissarli usando quattro viti di montaggio.

Adattatore di
montaggio su rack

Viti di
montaggio



Dati tecnici

Alimentazione:	C.c. da 10,8V a 16V
Assorbimento di corrente:	9 W circa

 sono le informazioni sulla sicurezza.

Connettori d'ingresso

DC 12V IN:	Per il collegamento dell'alimentatore c.a. (AW-PS301) accessorio
G/L IN:	BNC × 2, terminati automaticamente da una resistenza di 75 ohm, uscita ad anello passante, burst del nero
VIDEO/Y, Pr/C, Pb:	BNC × 3 (5 gruppi), terminazione 75 ohm Composito 1 Vp-p Y/C Y: 1 Vp-p (con sincronizzazione) C: 0,286V (burst) Componente Y: 1 Vp-p (con sincronizzazione) Pr, Pb: 0,7 Vp-p
MONI SEL IN:	RJ45 Cavo di collegamento: Cavo diritto 10BASE-T (categoria UTP 5), 50 metri max.

Connettori d'uscita

G/L OUT:	BNC × 5, uscita 75 ohm, cavo di collegamento 5C-2V, 1000 metri max.
VIDEO/Y, Pr/C, Pb:	BNC × 3 (5 gruppi), uscita 75 ohm Composito 1 Vp-p Y/C Y: 1 Vp-p (con sincronizzazione) C: 0,286V (burst) Componente Y: 1 Vp-p (con sincronizzazione) Pr, Pb: 0,7 Vp-p (È necessaria la regolazione di compensazione del cavo)
MONITOR OUT1/2:	BNC × 3 (2 gruppi), uscita 75 ohm

Funzioni interruttori e regolazioni:

Alimentazione ON/OFF; impostazione lunghezza cavo 0/1/2/3/4/5; impostazione segnale di sincronizzazione SHORT/LONG; regolazione entità di compensazione cavo; regolazione livello video

Temperatura d'esercizio:	Da 0°C a +40°C
Temperatura di deposito:	Da -20°C a +60°C
Umidità permmissibile:	Dal 30% al 90% (senza condensa)
Dimensioni (L × A × P):	420 × 250 × 88 mm
Peso:	3,7 kg circa
Rifinitura:	Vernice avorio AV (colore simile a Munsell 7.9Y6.8/0.8)

Il peso e le dimensioni indicati sono approssimativi.

Dati tecnici soggetti a modifiche senza avviso.

Introduzione

- L'unità di rotazione AW-RL400 permette di far ruotare una videocamera quando viene usata in combinazione con la testa di panoramica orizzontale/verticale interna AW-PH400.

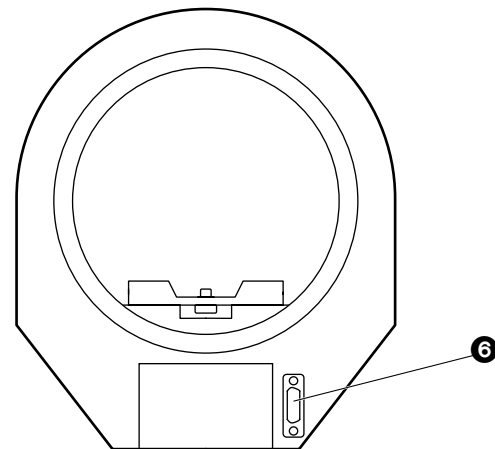
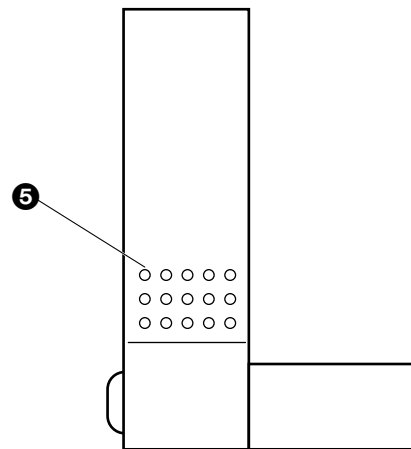
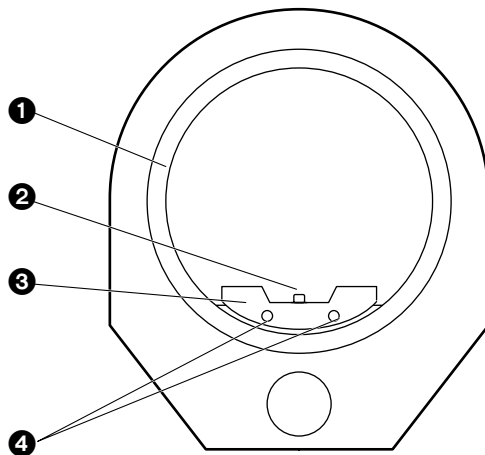
NOTE

- Poiché l'unità di rotazione fa ruotare la videocamera, bisogna accertarsi che tutti i cavi, come quelli della videocamera e dell'obiettivo, non si trovino sul suo percorso durante il funzionamento dell'unità di rotazione.
- Se bisogna disfarsi dell'unità di rotazione alla fine della sua vita di servizio, rivolgersi ad un esperto per il modo di farlo correttamente per proteggere l'ambiente.

Accessori

Cavo di collegamento testa di panoramica orizzontale/verticale	1
Viti di montaggio (M4 × 8 mm)	3

Parti e loro funzioni



① Anello rotante

② Vite di montaggio videocamera (U1/4"-20UNC)

Dopo aver montato la videocamera, fissarla saldamente usando questa vite.

③ Piastra di montaggio videocamera

Montare la videocamera su questa piastra usando le viti di montaggio videocamera.

④ Viti di ancoraggio piastra montaggio videocamera

Dopo aver montato la videocamera sulla piastra di montaggio videocamera, ancorarla all'unità di rotazione usando queste viti.

⑤ Fori viti di ancoraggio unità di rotazione

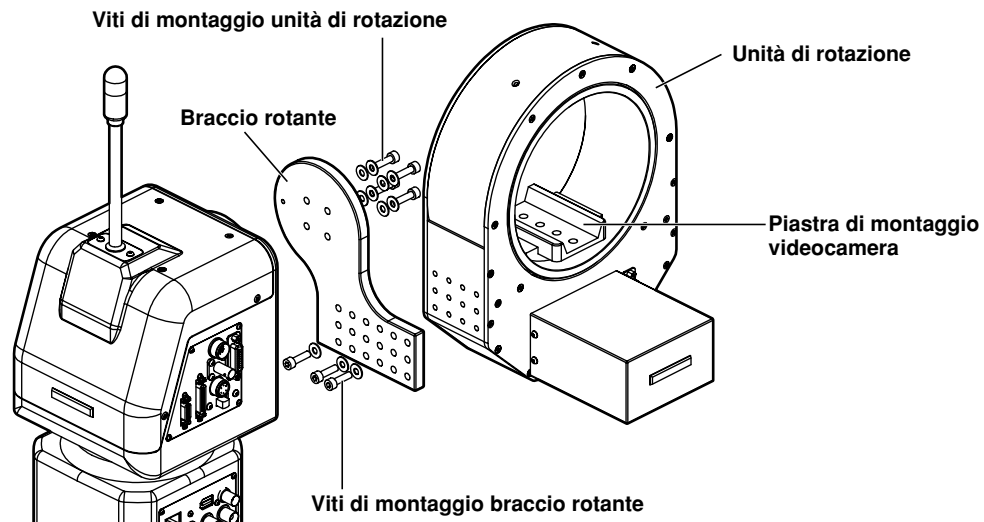
Qui è dove l'unità di rotazione va fissata al braccio rotante della testa di panoramica orizzontale/verticale.

⑥ Connettore testa di panoramica orizzontale/verticale

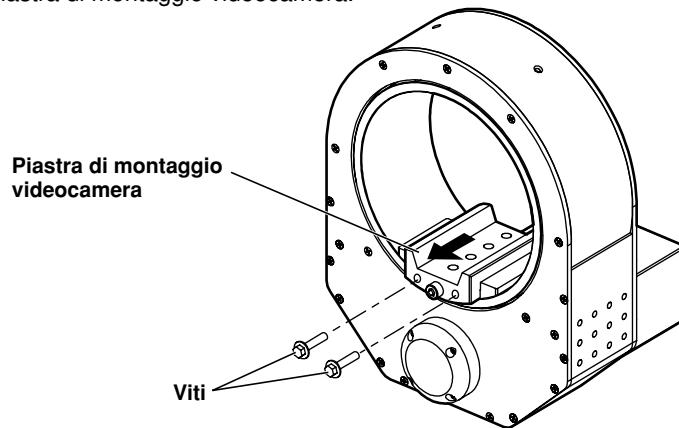
Collegarlo al connettore OPTION della testa di panoramica orizzontale/verticale usando il cavo di collegamento testa di panoramica orizzontale/verticale in dotazione.

Installazione

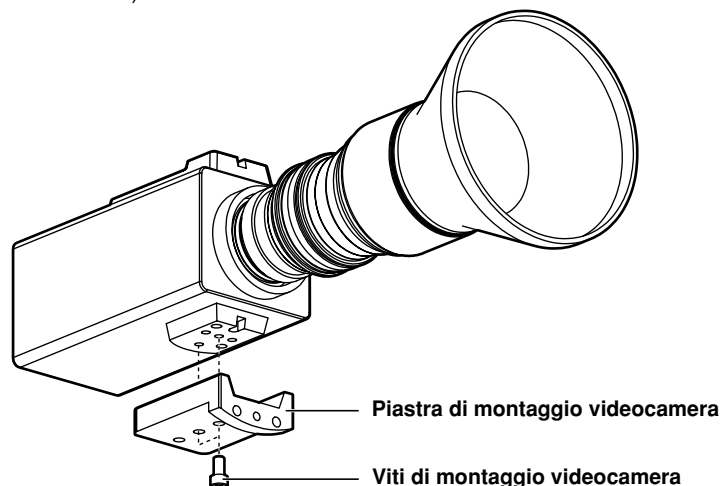
- ① Attaccare il braccio rotante della testa di panoramica orizzontale/verticale all'unità di rotazione usando le tre viti (M4 × 8 mm, con rondelle piatte) accessorie.
- ② Attaccare il braccio rotante alla testa di panoramica orizzontale/verticale usando le viti di montaggio braccio rotante (M5 × 20 mm, con rondelle piatte, accessori della testa di panoramica orizzontale/verticale).



- ③ Allentare le due viti della piastra di montaggio videocamera già installata sull'unità di rotazione. Rimuovere poi la piastra di montaggio videocamera.

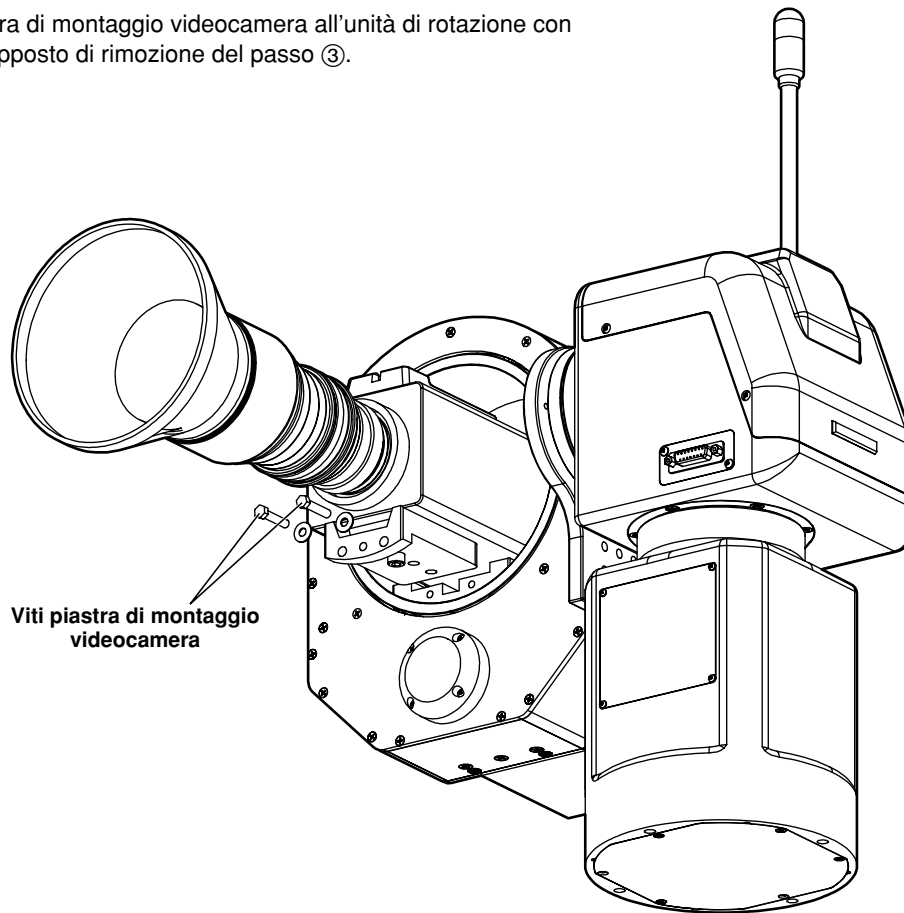


- ④ Attaccare la piastra di montaggio videocamera (rimossa al passo ③) all'unità videocamera usando due viti di montaggio videocamera (accessori della videocamera).



Installazione

- ⑤ Attaccare la piastra di montaggio videocamera all'unità di rotazione con il procedimento opposto di rimozione del passo ③.



Dati tecnici

Alimentazione:	C.c. da 24 V
Assorbimento di corrente:	24 W circa

 sono le informazioni sulla sicurezza.

Connettore testa di panoramica orizzontale/verticale:

Collegato alla testa di panoramica orizzontale/verticale usando il cavo in dotazione

Prestazioni:

Capacità massima di carico: 4 kg
 Gamma di rotazione: 380 gradi (± 190 gradi circa)
 Velocità massima di funzionamento: 60 gradi/sec.
 Ripetibilità: Inferiore a ± 1 grado
 Livello rumore: Inferiore a ???

Temperatura d'esercizio:

Da 0°C a +40°C

Temperatura di deposito:

Da -20°C a +60°C

Umidità permmissibile:

Dal 30% al 90% (senza condensa)

Dimensioni (L x A x P):

205 x 198 x 260 mm

Peso:

3,9 kg circa

Rifinitura:

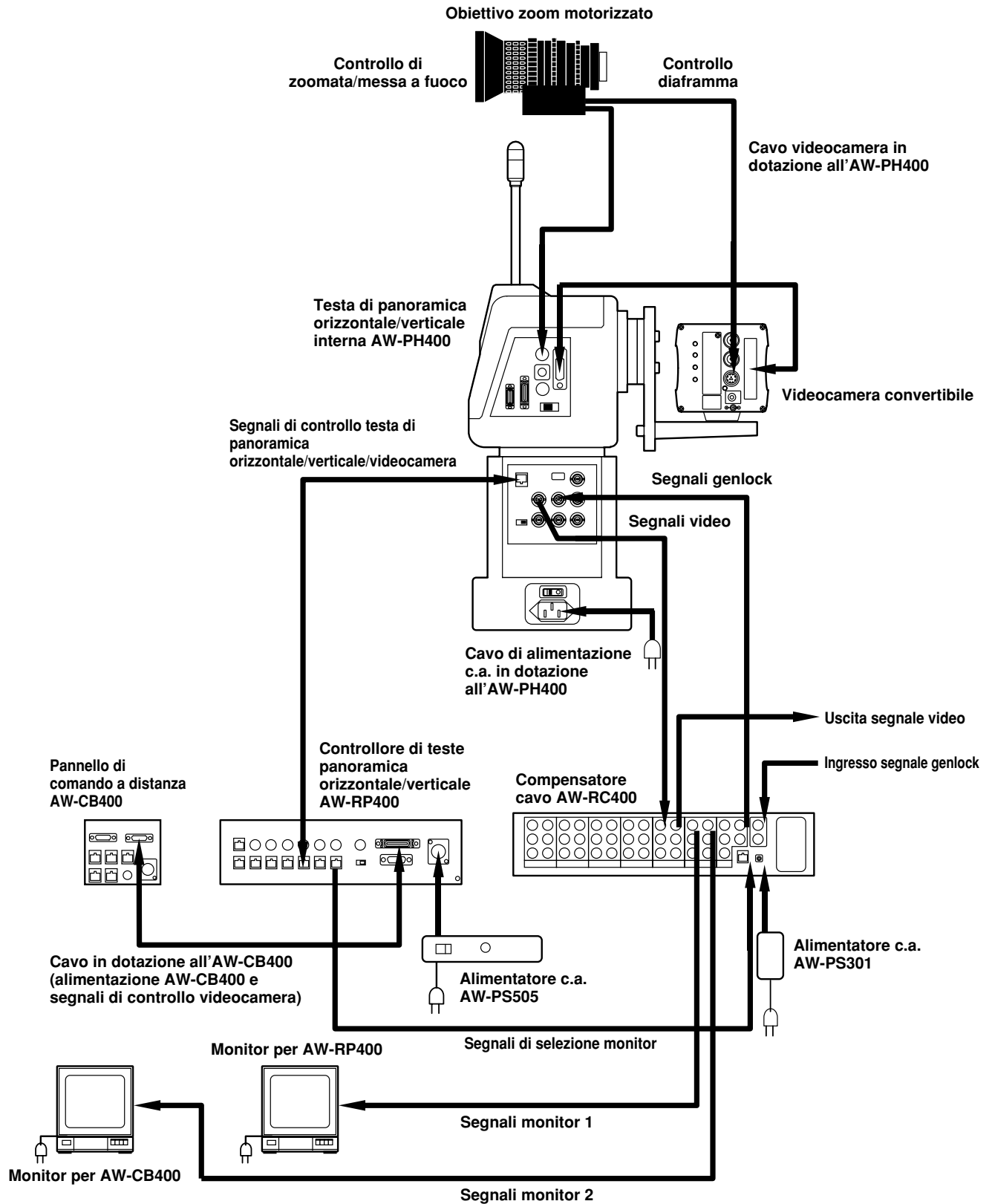
Vernice avorio AV (colore simile a Munsell 7.9Y6.8/0.8)

Il peso e le dimensioni indicati sono approssimativi.
 Dati tecnici soggetti a modifiche senza avviso.

Collegamenti

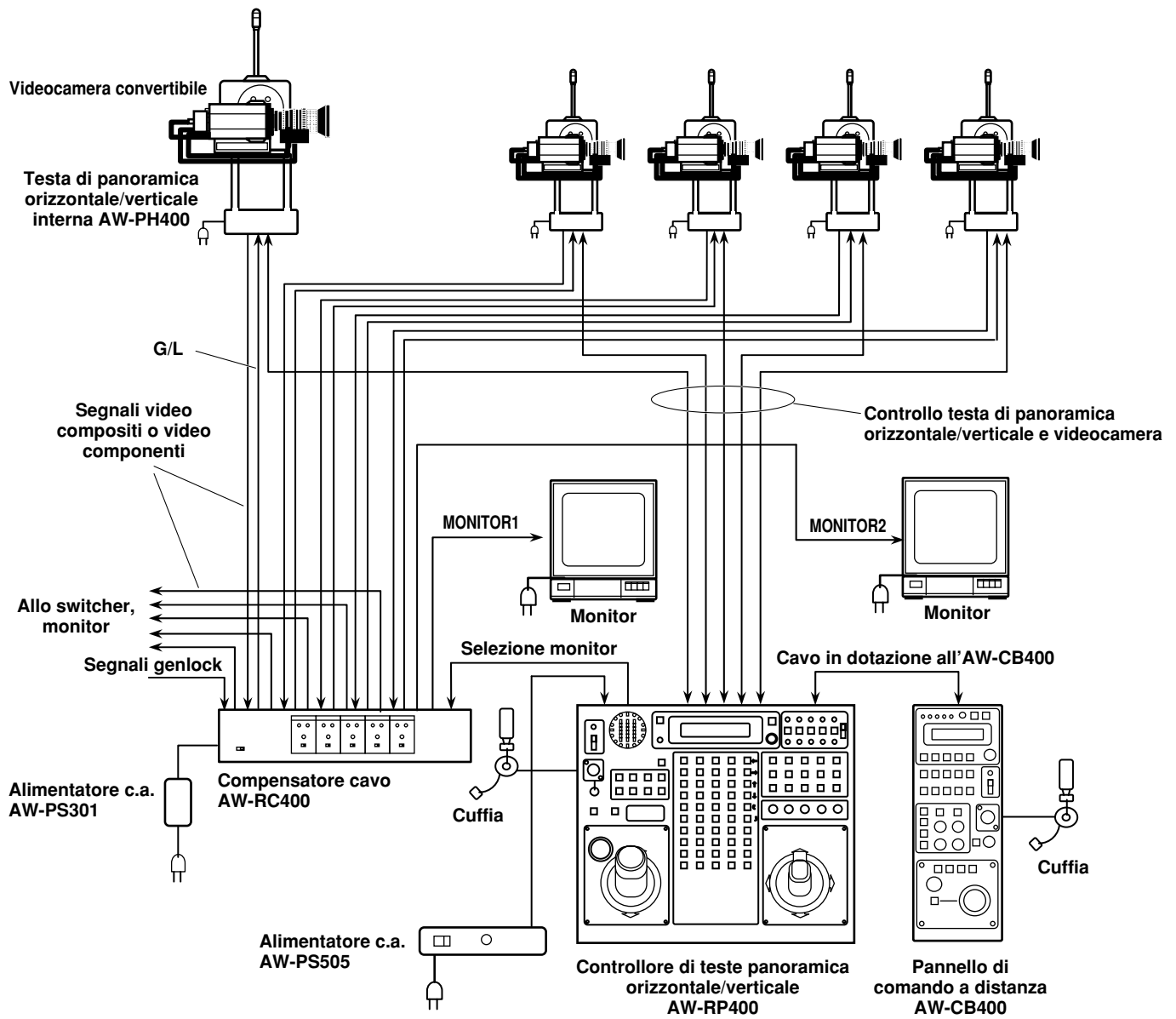
- Spegnere tutta l'attrezzatura prima di procedere con i collegamenti.
- Usare l'AW-PS505 come alimentatore c.a. per il controllore di teste panoramica orizzontale/verticale AW-RP400. Usare il cavo c.c. in dotazione all'AW-PS505 per collegare la presa DC 12V IN dell'AW-RP400 alla presa DC 12V OUT dell'AW-PS505.
- Collegare il cavo di alimentazione c.a. in dotazione all'AW-PH400 per la testa di panoramica orizzontale/verticale interna AW-PH400.
- Usare l'alimentatore c.a. in dotazione all'AW-RC400 per il compensatore cavo AW-RC400.
- Usare cavi diritti 10BASE-T per collegare i connettori IP/RP delle teste di panoramica orizzontale/verticale ai connettori CONTROL OUT TO PAN/TILT HEAD (da 1 a 5) dell'AW-RP400. La distanza massima di estensione è di 500 metri quando si usano cavi diritti di categoria UTP 5 o equivalenti.
- Usare i cavi per videocamere in dotazione alla testa di panoramica orizzontale/verticale per collegare l'AW-PH400 alla videocamera convertibile. In dotazione alla testa di panoramica orizzontale/verticale sono un cavo per i segnali compositi/componenti, un cavo per schede IEEE1394 e un cavo per schede Web. Selezionare il cavo della videocamera adatto all'applicazione desiderata.
- Collegare il cavo di controllo diaframma dell'obiettivo zoom motorizzato al connettore IRIS della videocamera, e collegare il cavo di zoomata/messa a fuoco al connettore LENS I/F della testa di panoramica orizzontale/verticale.
- Per il controllo della videocamera, usare il pannello di comando a distanza AW-CB400 o la scatola di comando a distanza WV-CB700A. L'AW-CB400 e la WV-CB700A non possono essere usati insieme.
- Usando l'AW-CB400, usare il cavo (10 m) in dotazione all'AW-CB400 per collegare il connettore CAMERA CONTROL IN FROM RCP dell'AW-RP400 a I/F CONNECTOR dell'AW-CB400. L'AW-CB400 può controllare cinque videocamere. La corrente è alimentata all'AW-CB400 dall'AW-RP400 attraverso questo cavo, per cui non è necessario collegare l'alimentatore c.a. all'AW-CB400.
- Usando la WV-CB700A, usare i cavi RCB (2 m) in dotazione alla WV-CB700A per collegare i connettori CAMERA CONTROL IN FROM RCB (da 1 a 5) dell'AW-RP400 ai connettori RCB della WV-CB700A. Dalla WV-CB700A può essere controllata soltanto una videocamera. Se c'è un multiplo numero di videocamere, è necessaria una WV-CB700A per ciascuna videocamera. Bisogna anche allineare il numero di connettori CONTROL OUT TO PAN/TILT HEAD collegati alle videocamere da controllare con i connettori CAMERA CONTROL IN FROM RCB usati per collegare la WV-CB700A.
- Usare il cavo diritto 10BASE-T per collegare il connettore MONI SEL OUT dell'AW-RP400 al connettore MONI SEL IN dell'AW-RC400. Usando un cavo diritto 10BASE-T di categoria UTP 5, o equivalente, la distanza massima di estensione è di 50 metri. Collegando questi connettori MONI SEL, si possono far uscire dal connettore MONITOR1 i segnali video della videocamera selezionata dall'AW-RP400, e dal connettore MONITOR2 i segnali video della videocamera selezionata dall'AW-CB400. Se si usa la WV-CB700A, non si può selezionare MONITOR2.
- Usare un cavo coassiale per collegare l'AW-RC400 all'AW-PH400.
- Alimentare i segnali genlock al connettore G/L IN dell'AW-RC400 da una unità quale un generatore del segnale, e collegare i connettori G/L OUT (da 1 a 5) dell'AW-RC400 ai connettori G/L IN delle teste di panoramica orizzontale/verticale.
- Usando i segnali compositi, collegare i connettori VIDEO delle teste di panoramica orizzontale/verticale ai connettori Y/VIDEO (da 1 a 5) dell'AW-RC400.
- Collegare anche i connettori Y/VIDEO OUT dell'AW-RC400 agli switcher o monitor.
- Usando i segnali Y/C, collegare i connettori Y e i connettori Pr/C delle teste di panoramica orizzontale/verticale rispettivamente ai connettori Y/VIDEO e ai connettori Pr/C dell'AW-RC400. Collegare anche i connettori Y/VIDEO OUT e i connettori Pr/C dell'AW-RC400 agli switcher o monitor.
- Usando i segnali componenti, collegare il connettore Y, il connettore Pr/C e il connettore Pb della testa di panoramica orizzontale/verticale rispettivamente al connettore Y/VIDEO, connettore Pr/C e connettore Pb del compensatore cavo. Collegare anche i connettori Y/VIDEO OUT, i connettori Pr/C e i connettori Pb dell'AW-RC400 agli switcher o monitor.

Collegamenti



ITALIANO

Esempio di configurazione del sistema



Procedure operative

■ Accensione

- ① Usando un AW-RP400, regolare il suo interruttore EXT CONT [M/S] sulla posizione [M].
- ② Alimentare la corrente.
Posizionare prima su ON l'interruttore di alimentazione dell'alimentatore c.a. dell'AW-RP400 e l'interruttore di alimentazione c.a. dell'AW-PH400, e posizionare poi su ON l'interruttore OPERATE dell'AW-RP400.

■ Regolazione della gamma di movimento (fine corsa) della testa di panoramica orizzontale/verticale interna AW-PH400

Se nelle immediate vicinanze ci sono oggetti che ostacolano il movimento della testa di panoramica orizzontale/verticale interna AW-PH400, regolare le restrizioni alla gamma di movimento (fine corsa: limiti di rotazione a destra, a sinistra, in su e in giù).

Collegando l'unità di rotazione AW-RL400 all'AW-RP400, regolare anche i limiti di movimento (fine corsa in senso orario e antiorario) dell'unità di rotazione.

Bisogna assolutamente regolare questi limiti prima di usare le unità.

- Al momento della spedizione, l'AW-PH400 viene preparata per il montaggio su una base o supporto. Se deve essere appesa al soffitto, bisogna assolutamente regolare l'interruttore della direzione di montaggio. Se questa regolazione non è corretta, le direzioni delle operazioni di panoramica orizzontale/verticale si invertono e le regolazioni della gamma di movimento (fine corsa) della testa di panoramica orizzontale/verticale non vengono memorizzate correttamente. Per i dettagli sui metodi di regolazione ed altri aspetti relativi, riferirsi a "Regolazione dell'interruttore della direzione di montaggio" nelle istruzioni per l'uso dell'AW-PH400.

Procedere ora con le regolazioni per il controllore di teste panoramica orizzontale/verticale AW-RP400.

- ① Usare i tasti CONTROL SELECT per selezionare la testa di panoramica orizzontale/verticale di cui regolare la gamma di movimento (fine corsa).
- ② Per regolare il fine corsa sinistro, usare la leva PAN/TILT per ruotare la testa di panoramica orizzontale/verticale fino al limite sinistro da regolare.
Mantenendo premuto il tasto MENU/LIMIT, premere il tasto PRESET MEMORY [5].
Dopo la regolazione del fine corsa, la spia del tasto PRESET MEMORY [45] si accende.
Per rilasciare la regolazione, premere di nuovo il tasto PRESET MEMORY [5] mantenendo premuto il tasto MENU/LIMIT.
Dopo il rilascio della regolazione, si accende la spia del tasto PRESET MEMORY [50].
- ③ Per regolare il fine corsa destro, usare la leva PAN/TILT per ruotare la testa di panoramica orizzontale/verticale fino al limite destro da regolare.
Mantenendo premuto il tasto MENU/LIMIT, premere il tasto PRESET MEMORY [10].
Dopo la regolazione del fine corsa, la spia del tasto PRESET MEMORY [45] si accende.
Per rilasciare la regolazione, premere di nuovo il tasto PRESET MEMORY [10] mantenendo premuto il tasto MENU/LIMIT.
Dopo il rilascio della regolazione, si accende la spia del tasto PRESET MEMORY [50].
- ④ Per regolare il fine corsa superiore, usare la leva PAN/TILT per ruotare la testa di panoramica orizzontale/verticale fino al limite superiore da regolare.
Mantenendo premuto il tasto MENU/LIMIT, premere il tasto PRESET MEMORY [15].
Dopo la regolazione del fine corsa, la spia del tasto PRESET MEMORY [45] si accende.
Per rilasciare la regolazione, premere di nuovo il tasto PRESET MEMORY [15] mantenendo premuto il tasto MENU/LIMIT.
Dopo il rilascio della regolazione, si accende la spia del tasto PRESET MEMORY [50].
- ⑤ Per regolare il fine corsa inferiore, usare la leva PAN/TILT per ruotare la testa di panoramica orizzontale/verticale fino al limite inferiore da regolare.
Mantenendo premuto il tasto MENU/LIMIT, premere il tasto PRESET MEMORY [20].
Dopo la regolazione del fine corsa, la spia del tasto PRESET MEMORY [45] si accende.
Per rilasciare la regolazione, premere di nuovo il tasto PRESET MEMORY [20] mantenendo premuto il tasto MENU/LIMIT.
Dopo il rilascio della regolazione, si accende la spia del tasto PRESET MEMORY [50].

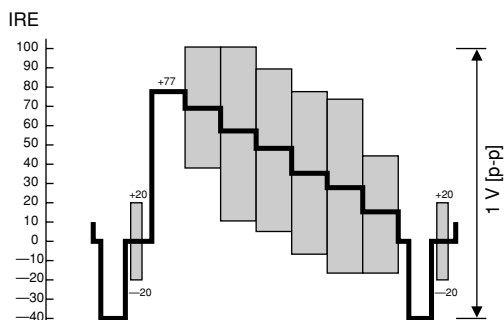
Procedure operative

- ⑥ Per regolare il fine corsa dell'unità di rotazione in senso antiorario, usare l'interruttore ROTATION per ruotare l'unità di rotazione fino al limite in senso antiorario da regolare.
Mantenendo premuto il tasto MENU/LIMIT, premere il tasto PRESET MEMORY [25].
Dopo la regolazione del fine corsa, la spia del tasto PRESET MEMORY [45] si accende.
Per rilasciare la regolazione, premere di nuovo il tasto PRESET MEMORY [25] mantenendo premuto il tasto MENU/LIMIT.
Dopo il rilascio della regolazione, si accende la spia del tasto PRESET MEMORY [50].
- ⑦ Per regolare il fine corsa dell'unità di rotazione in senso orario, usare l'interruttore ROTATION per ruotare l'unità di rotazione fino al limite in senso orario da regolare.
Mantenendo premuto il tasto MENU/LIMIT, premere il tasto PRESET MEMORY [30].
Dopo la regolazione del fine corsa, la spia del tasto PRESET MEMORY [45] si accende.
Per rilasciare la regolazione, premere di nuovo il tasto PRESET MEMORY [30] mantenendo premuto il tasto MENU/LIMIT.
Dopo il rilascio della regolazione, si accende la spia del tasto PRESET MEMORY [50].

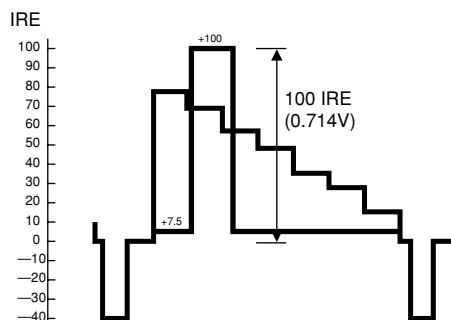
■ Compensazione del cavo delle videocamere

Fare queste regolazioni usando il compensatore cavo AW-RC400.

- ① Collegare un monitor della forma d'onda al connettore d'uscita video dell'AW-RC400, e regolare i segnali alimentati al connettore d'ingresso video corrispondente sui segnali delle barre dei colori.
- ② Regolare il monitor della forma d'onda alla percentuale H (vedere l'illustrazione sotto) e, controllando le sezioni di salita e discesa delle forme d'onda, regolare l'interruttore di impostazione lunghezza cavo sul punto in cui la sottoelongazione e la sovraelongazione vengono mantenute al minimo. A questo punto, mantenere il controllo Y LEVEL e il controllo F RESPONSE sulla loro posizione centrale.
- ③ Girare il controllo F RESPONSE e regolare in modo che la sottoelongazione e la sovraelongazione delle forme d'onda nelle sezioni di salita e discesa vengano mantenute al minimo. Se la gamma di regolazione del controllo viene superata, vedere se si può selezionare un'altra regolazione per l'interruttore di impostazione lunghezza cavo.
- ④ Usare poi il controllo Y LEVEL per ottenere il livello video prescritto.
- ⑤ Con i segnali componenti, osservando il segnale Y sul monitor della forma d'onda allo stesso modo dei segnali composti, usare l'interruttore di impostazione lunghezza cavo, il controllo F RESPONSE e il controllo Y LEVEL per regolare la compensazione del cavo in modo da ottenere i segnali video prescritti.
- ⑥ Guardare poi i segnali Y, Pr e Pb nella loro interezza, e regolare di nuovo il controllo F RESPONSE e il controllo Y LEVEL in modo da produrre la compensazione ottimale del cavo.
- ⑦ Anche con i segnali Y/C, regolare prima il segnale Y allo stesso modo dei segnali componenti, guardare entrambi i segnali Y e C e regolare in modo da produrre la compensazione ottimale del cavo.



Monitor forma d'onda (segnali composti)



Monitor forma d'onda (segnali componenti)

Procedure operative

■ Regolazioni del genlock per le rispettive videocamere

Per i dettagli sulle regolazioni del genlock, riferirsi alle istruzioni per l'uso del pannello di comando a distanza AW-CB400 o della scatola di comando a distanza WV-CB700A.

■ Regolazioni video per le videocamere

Regolare il piedistallo totale (livello del nero), il bilanciamento del bianco, il bilanciamento del nero, ecc., delle videocamere. Per i dettagli sulle regolazioni delle videocamere, riferirsi alle istruzioni per l'uso del pannello di comando a distanza AW-CB400 o della scatola di comando a distanza WV-CB700A.

■ Regolazioni delle memorie di tracciamento

Eeguire le regolazioni seguenti sul controllore di teste panoramica orizzontale/verticale AW-RP400.

L'AW-RP400 è dotato della funzione delle memorie di tracciamento per la registrazione dei percorsi lungo i quali i sistemi di teste panoramica orizzontale/verticale si muovono.

Usando questa funzione, i dati vengono registrati nei tasti TRACING MEMORY da 1 a 10.

Impostazione del tempo di registrazione e del numero di memorie

- ① Selezionare il primo sistema di teste panoramica orizzontale/verticale usando i tasti CONTROL SELECT.
- ② Regolare il tempo di registrazione nella memoria di tracciamento e il numero di memorie usando l'impostazione del menu TR MEMORY LENGTH.

MEMORY LENGTH	Impostazione
60s	60 sec. × 10 memorie (tasti da 1 a 10)
120s	120 sec. × 5 memorie (tasti da 1 a 5)
300s	300 sec. × 2 memorie (tasti 1, 2)
600s	600 sec. × 1 memoria (tasto 1)

- La regolazione di TR MEMORY LENGTH non è possibile se i dati sono già stati registrati nelle memorie di tracciamento.
Prima di selezionare una impostazione diversa, cancellare i dati registrati nella memoria di tracciamento ed eseguire poi l'impostazione.
 - Il tempo di registrazione e il numero di memorie non possono essere cambiati in ciascuno dei tasti in cui sono registrati.
- ③ Selezionare gli altri sistemi di teste panoramica orizzontale/verticale usando gli altri tasti CONTROL SELECT, e impostare il tempo di registrazione e il numero di memorie per ciascun sistema di teste panoramica orizzontale/verticale.

Registrazione dei dati delle memorie di tracciamento

- ① Selezionare il sistema di teste panoramica orizzontale/verticale usando uno dei tasti CONTROL SELECT.
Usando l'AW-CB400 per il controllo delle videocamere, selezionare lo stesso numero per l'AW-CB400.
- ② Regolare gli stati della testa di panoramica orizzontale/verticale e della videocamera al punto d'inizio nella memoria di tracciamento.
 - Decidere l'angolo di visione e la messa a fuoco usando i controlli PAN, TILT, ZOOM e FOCUS.
 - Selezionare il diaframma automatico, il diaframma manuale o il blocco manuale usando il tasto IRIS [AUTO/MANU/LOCK].
 - Se si seleziona il diaframma manuale, regolare il diaframma usando la manopola IRIS.
 - Regolare il livello del nero, il bilanciamento del nero e il bilanciamento del bianco usando il controllore delle videocamere.

Procedure operative

- ③ Premere il tasto START POINT.
Le spie dei tasti TRACING MEMORY da 1 a 10 in cui si possono registrare i dati si accendono.
 - Le spie dei tasti con i numeri che superano il numero di memorie regolato con l'impostazione del menu TR MEMORY LENGTH non si accendono.
 - Se la spia di un qualsiasi tasto dei numeri delle memorie in cui si possono impostare i dati è spenta, vuol dire che in quel tasto ci sono già dei dati registrati. Per registrare i dati in quel tasto, cancellare prima i dati nella sua memoria.
- ④ Premere il numero del tasto in cui registrare i dati. Si accende ora soltanto la spia del tasto premuto, e le regolazioni della posizione della testa di panoramica orizzontale/verticale e della videocamera prevalenti a questo punto vengono registrate come posizione d'inizio della memoria di tracciamento.
 - Se ora si aziona la leva PAN/TILT, la registrazione dei dati nella memoria di tracciamento si cancella.
- ⑤ Premere il tasto START.
La spia del tasto START lampeggia e la modalità di attesa di registrazione si stabilisce.
 - Se ora si preme il tasto STOP, la registrazione dei dati nella memoria di tracciamento si cancella.
- ⑥ Poiché la registrazione nella memoria di tracciamento comincia dal punto in cui si usa il controllo PAN, TILT, ZOOM o FOCUS, procedere alla registrazione dei dati.
La spia del tasto START smette di lampeggiare e la spia del tasto STOP comincia a lampeggiare. Come principio generale, il tempo che può essere memorizzato è di circa 3 secondi per ciascuno dei tasti PRESET MEMORY da 1 a 10, e di circa 30 secondi per ciascuno dei tasti PRESET MEMORY da 11 a 30.
Cominciando dal tasto 10, le spie dei tasti si spengono ogni 3 secondi per indicare il tempo restante per la registrazione nella memoria. Quando si sono spente le spie di tutti i tasti, il cicalino suona e la registrazione dei dati nelle memorie di tracciamento finisce.
 - Per sospendere in qualsiasi momento la registrazione dei dati nelle memorie di tracciamento, premere il tasto STOP. Le operazioni eseguite fino al momento in cui la registrazione è stata sospesa vengono registrate come dati delle memorie di tracciamento.
 - Il cicalino suona quando la registrazione dei dati nelle memorie di tracciamento comincia, viene sospesa o finisce.
- ⑦ Se necessario, registrare i dati nei tasti TRACING MEMORY da 1 a 10.
- ⑧ Selezionare un altro sistema di teste panoramica orizzontale/verticale usando il tasto CONTROL SELECT e procedere con le impostazioni dei dati nelle memorie di tracciamento del sistema di teste panoramica orizzontale/verticale selezionato. Ripetere questo passo per tutti i sistemi di teste panoramica orizzontale/verticale.

Le informazioni delle memorie di tracciamento vengono registrate nelle teste di panoramica orizzontale/verticale e nei controllori.
Se si sostituisce una testa di panoramica orizzontale/verticale o un controllore, registrare di nuovo i dati nella memoria di tracciamento.

Riproduzione dei dati delle memorie di tracciamento

- ① Selezionare il sistema di teste panoramica orizzontale/verticale usando uno dei tasti CONTROL SELECT.
- ② Premere il tasto in cui sono registrati i dati della memoria di tracciamento da riprodurre.
Il sistema di teste panoramica orizzontale/verticale si regola sulla posizione d'inizio registrata nella memoria di tracciamento.
- ③ Dopo che il sistema di teste panoramica orizzontale/verticale si è regolato sulla posizione d'inizio registrata nella memoria di tracciamento e si è arrestato, la riproduzione dei dati registrati nella memoria di tracciamento può essere iniziata premendo il tasto corrispondente alla memoria di tracciamento in cui sono registrati quei dati.
 - Per sospendere in qualsiasi momento la riproduzione dei dati della memoria di tracciamento, premere il tasto STOP. La riproduzione viene sospesa anche quando si usa il controllo PAN, TILT, ZOOM o FOCUS.
 - Il cicalino suona quando la riproduzione dei dati nelle memorie di tracciamento comincia, viene sospesa o finisce.

Procedure operative

Cambiamento dei dati nelle memorie di tracciamento

- ① Selezionare il sistema di teste panoramica orizzontale/verticale usando uno dei tasti CONTROL SELECT.
Se si usa l'AW-CB400 per il controllo delle videocamere, selezionare lo stesso numero per l'AW-CB400.
- ② Premere il tasto corrispondente alla memoria di tracciamento di cui cambiare i dati, e richiamare la posizione d'inizio.
- ③ Premere il tasto RESTORE.
La spia del tasto RESTORE lampeggia, e si può cambiare l'impostazione della posizione d'inizio nella memoria di tracciamento.
 - Se a questo punto si preme il tasto STOP, la modalità di cambiamento si cancella.
- ④ Premere di nuovo il tasto RESTORE.
Il sistema di teste panoramica orizzontale/verticale comincia l'operazione registrata nella memoria di tracciamento e la spia del tasto RESTORE smette di lampeggiare e rimane accesa. Come quando i dati sono stati registrati, i tasti PRESET MEMORY da 1 a 30 servono a fornire un'indicazione generale del tempo.
- ⑤ Cambiare le operazioni nella memoria di tracciamento.
 - Non è possibile cambiare parte delle operazioni nella memoria di tracciamento. Registrare di nuovo tutte le operazioni dal punto in cui il cambiamento è stato operato fino alla fine.
- ⑥ Quando le spie di tutti i tasti PRESET MEMORY si sono spente, il cicalino suona e il cambiamento dei dati della memoria di tracciamento è completato.

Cancellazione dei dati delle memorie di tracciamento

- ① Selezionare il sistema di teste panoramica orizzontale/verticale usando uno dei tasti CONTROL SELECT.
- ② Premere il tasto RESET.
Le spie dei tasti (tasti TRACING MEMORY da 1 a 10) corrispondenti alle memorie di tracciamento in cui i dati sono stati registrati si accendono.
- ③ Premere il tasto con il numero di cui cancellare i dati.
La spia del tasto si spegne e i dati della memoria di tracciamento si cancellano.

■ Impostazione dei dati delle memorie di preselezione

Eeguire queste impostazioni sul controllore di teste panoramica orizzontale/verticale AW-RP400.

L'AW-RP400 è dotato di una funzione della memoria di preselezione per la registrazione delle posizioni e delle regolazioni usate per le riprese dai sistemi di teste panoramica orizzontale/verticale. I dati delle memorie di preselezione vengono registrati nei tasti PRESET MEMORY da 1 a 50.

Registrazione dei dati nelle memorie di preselezione

- ① Selezionare il sistema di teste panoramica orizzontale/verticale usando uno dei tasti CONTROL SELECT.
- ② Regolare gli stati delle teste di panoramica orizzontale/verticale e delle videocamere.
 - Decidere l'angolo di visione e la messa a fuoco usando i controlli PAN, TILT, ZOOM e FOCUS.
 - Selezionare il diaframma automatico o il diaframma manuale usando il tasto IRIS [AUTO/MANU/LOCK].
 - Se si seleziona il diaframma manuale, regolare il diaframma usando la manopola IRIS.
 - Regolare il livello del nero, il bilanciamento del nero e il bilanciamento del bianco usando il controllore delle videocamere.
- ③ Mantenendo premuto il tasto MEMORY, premere uno dei tasti (tasti PRESET MEMORY da 1 a 50) in cui registrare i dati della memoria di preselezione.
- ④ Se necessario, registrare altre posizioni di ripresa e regolazioni come dati delle memorie di preselezione usando i tasti PRESET MEMORY da 1 a 50.
- ⑤ Selezionare un altro sistema di teste panoramica orizzontale/verticale usando il tasto CONTROL SELECT, e procedere con le impostazioni dei relativi dati nelle memorie di preselezione. Ripetere questo passo per tutti i sistemi di teste panoramica orizzontale/verticale.

Procedure operative

Riproduzione dei dati delle memorie di preselezione

- ① Selezionare il sistema di teste panoramica orizzontale/verticale usando uno dei tasti CONTROL SELECT.
- ② Quando si preme il tasto corrispondente ai dati della memoria di preselezione registrati, il sistema di teste panoramica orizzontale/verticale si dispone nello stato registrato.

Precauciones de seguridad

■ **NO quite la tapa desatornillándola.**

No quite la tapa para evitar el riesgo de sacudidas eléctricas. Las piezas del interior no requieren mantenimiento por parte del usuario.

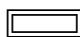
Solicite las reparaciones al personal de servicio calificado.

ADVERTENCIA:

PARA REDUCIR EL RIESGO DE INCENDIO O SACUDIDA ELÉCTRICA, MANTENGA ESTE EQUIPO ALEJADO DE TODOS LOS LÍQUIDOS. UTILÍCELO Y GUÁRDELO SOLAMENTE EN LUGARES DONDE NO CORRA EL RIESGO DE QUE LE CAIGAN GOTAS O LE SALPIQUEN LÍQUIDOS, Y NO COLOQUE NINGÚN RECIPIENTE DE LÍQUIDOS ENCIMA DEL EQUIPO.

AVISO:

PARA REDUCIR EL RIESGO DE INCENDIOS, SACUDIDAS ELÉCTRICAS E INTERFERENCIAS MOLESTAS, UTILICE SOLAMENTE LOS ACCESORIOS RECOMENDADOS.

 indica información de seguridad.

Índice

Precauciones de seguridad	1
Precauciones para la utilización	3

AW-PH400 Cabezal de panorámica/inclinación para interiores 4

Introducción	4
Accesorios	4
Precauciones para la utilización	4
Precauciones para la instalación	5
Partes y sus funciones	6
Instalación	10
■ Montaje del cabezal de panorámica/inclinación	10
■ Ajuste del conmutador de sentido de montaje	11
■ Ajuste de los conmutadores PCB	12
■ Cambio de la posición de montaje del panel de conectores del pedestal	13
■ Instalación del cabezal de panorámica/inclinación ...	14
■ Montaje de la cámara	15
■ Colocación de la cadena	16
Cambio de piezas consumibles	17
Especificaciones	18

AW-RP400 Controlador de cabezales de panorámica/inclinación 19

Introducción	19
Accesorios	19
Partes y sus funciones	20
■ Panel delantero	20
■ Panel trasero	23
Ajustes de menús	25
■ Método de funcionamiento	25
■ Lista de ajustes y elementos de menús	26
Ejemplo de montaje en una estantería	30
■ Montaje del AW-RP400 en una estantería	30
■ Cambio del sentido del panel de conectores	31
■ Cambio del conmutador del zoom	32
Cambio de piezas consumibles	33
Especificaciones	34

AW-RC400 Compensador de cable 35

Introducción	35
Accesorios	35
Partes y sus funciones	36
Ejemplo de montaje en una estantería	38
■ Montaje del AW-RC400 en una estantería	38
Especificaciones	39

AW-RL400 Unidad de rodamiento 41

Introducción	41
Accesorios	41
Partes y sus funciones	42
Instalación	43
Especificaciones	44

Conexiones	45
Ejemplo de configuración del sistema	47
Procedimientos de operación	48

Precauciones para la utilización

- **Maneje el PCR cuidadosamente.**

Dejar caer el PCR o someterlo a impactos fuertes puede causar fallos en el mantenimiento o accidentes.

- **Utilice el PCR a una temperatura ambiental de entre -10°C y $+45^{\circ}\text{C}$.**

Utilizar el PCR en lugares fríos a menos de -10°C o en lugares calientes a más de 45°C puede afectar adversamente a los componentes internos.

- **Desconecte la alimentación antes de conectar o desconectar los cables.**

Asegúrese de desconectar la alimentación antes de conectar o desconectar los cables.

- **Evite utilizar las unidades en el exterior.**

- **Mantenimiento**

Limpie el PCR con un paño seco. Para quitar las manchas difíciles, moje un paño en detergente de cocina diluido en agua, escúrralo bien y luego páselo suavemente por el PCR.

<Precaución>

- Evite utilizar bencina, diluyente de pintura y otros líquidos volátiles.
- Si va a utilizar un paño de limpieza químico, lea cuidadosamente las precauciones para su utilización.

Introducción

- El cabezal de panorámica/inclinación compacto e independiente puede girar 190 grados en sentido vertical y 400 grados en sentido horizontal.
- Se pueden realizar operaciones a velocidades altas de hasta 90 grados por segundo.
- En la unidad se puede montar un equipo como, por ejemplo, una cámara y un objetivo con un peso total de 8 kg.
- La cámara también se puede girar utilizando la unidad de giro AW-RL400 disponible como accesorio opcional.
- Se pueden registrar como datos de memoria un máximo de 50 posiciones de filmación y sus ajustes respectivos.

NOTA

- El AW-PH400 no se puede controlar desde el controlador AW-RP301, AW-RP305, AW-RP501, AW-RP505, AW-RP605 o AW-RP605A.
- Para proteger el medio ambiente cuando se tire el cabezal de panorámica/inclinación cuando termine su vida de servicio, pida a un contratista especializado que disponga de el apropiadamente.

Accesorios

Brazo giratorio	1
Base de montaje de la cámara	1
Brazo giratorio y tornillos de montaje de la base de la cámara (con arandelas planas) M5 × 20 mm	7
Cable de cámara	1
Luz indicadora	1
Tornillos de montaje de cadena (con arandelas planas, arandelas de reserote) M4 × 8 mm	1
M4 × 6 mm	1
Llave hexagonal	1
Cable de CA	1

Precauciones para la utilización

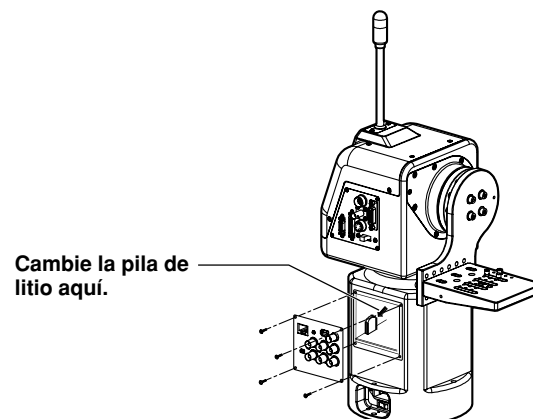
El AW-PH400 utiliza una pila de litio bióxido de manganeso (CR2032).

Antes de tirar el cabezal de panorámica/inclinación o sus tarjetas de circuitos impresos, asegúrese de quitar la pila.

Asegúrese de tirar la pila cumpliendo con las leyes y reglamentos nacionales.

No tire la pila junto con la basura de casa.

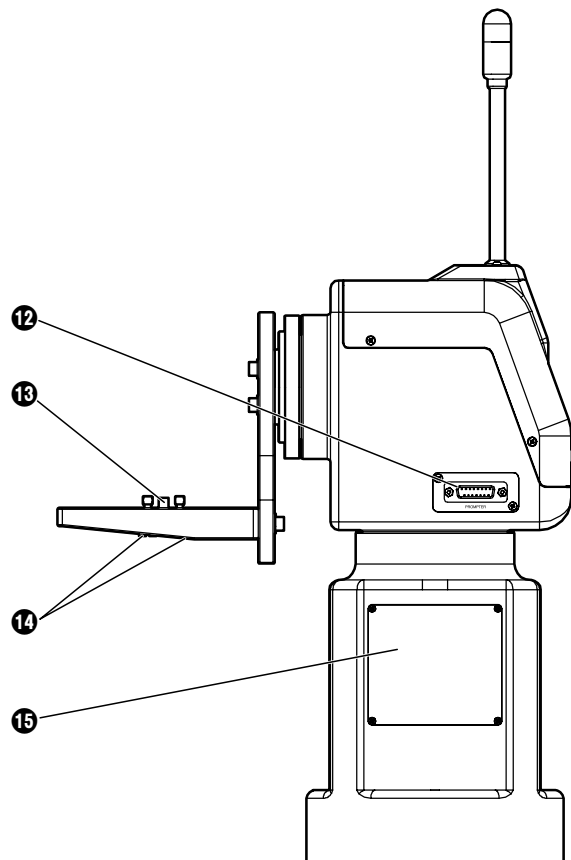
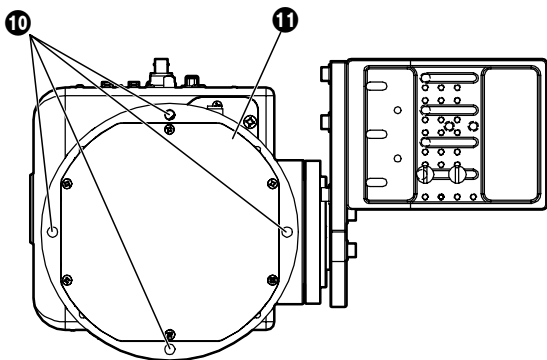
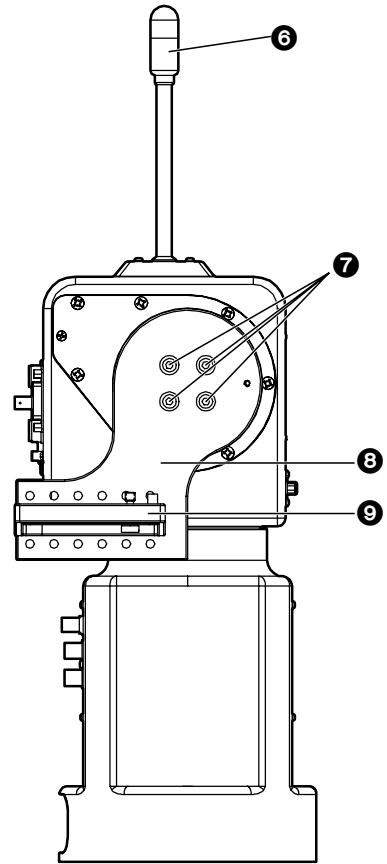
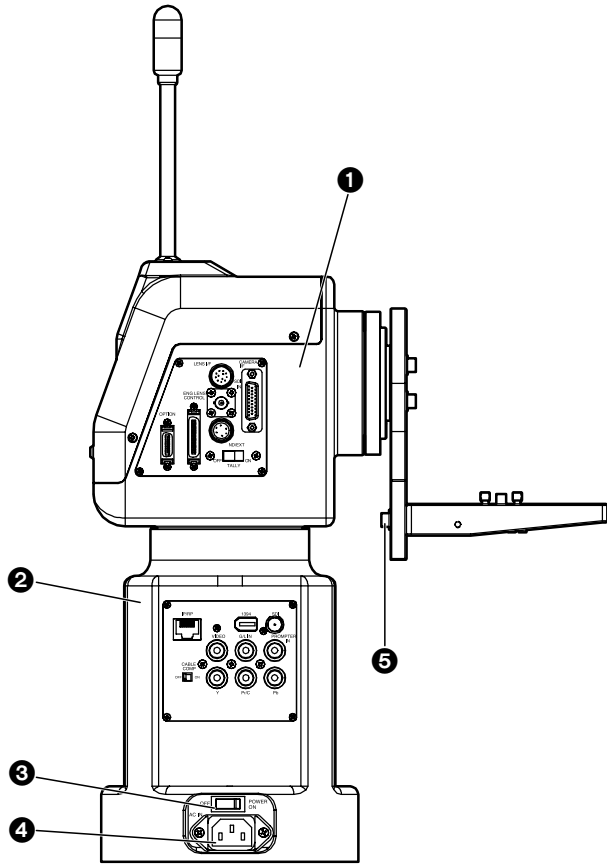
Para conocer el procedimiento de quitar la pila, consulte la sección relacionada con el cambio de la pila en “Cambio de piezas consumibles” (página 17).



Precauciones para la instalación

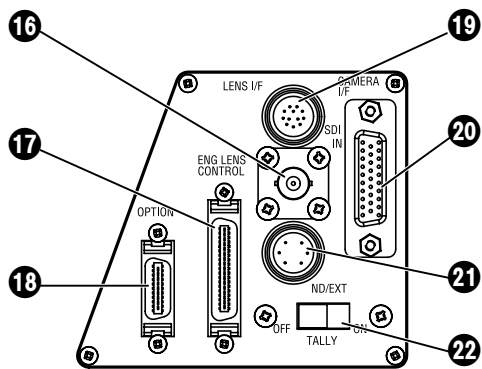
- No instale la unidad apoyada en uno de sus lados.
- Evite utilizar la unidad en la cocina o en otros lugares con mucho vapor de agua o vapor impregnado de aceite.
- Monte la cámara en el cabezal de panorámica/inclinación sólo cuando haya terminado de instalarla.
- Esta unidad puede aguantar una carga máxima de 8 kg.
No se puede utilizar si la carga sobrepasa los 8 kg.
- No utilice un objetivo que afecte o altere el equilibrio de la unidad.
Aunque la carga soportada por la unidad sea inferior a 8 kg, ésta no se podrá utilizar si la unidad pierde el equilibrio debido al objetivo montado en ella.
- No instale la unidad en exteriores ni en lugares donde la temperatura supere los 45°C o no llegue a los 0°C.
Utilice la unidad en lugares donde la humedad sea inferior al 90%.
- Compre los tornillos de montaje separadamente porque no se suministran con la unidad.
- No sujete ni levante la unidad por su parte giratoria. De lo contrario podría producirse un fallo en el funcionamiento.
- No gire la parte giratoria de la unidad con la mano. De lo contrario podría producirse un fallo en el funcionamiento.
- No deje caer la unidad ni la golpee con fuerza porque podría producirse un fallo en el funcionamiento.
- Deje una separación de 1 metros como mínimo alrededor del monitor cuando instale la unidad.
- Cuando monte la cámara en la unidad, tome las medidas necesarias para asegurar que no se separe de la unidad ni caiga al suelo.
- Instale la unidad de forma que el equipo montado en ella o sus cables no entren en contacto con nada cuando se mueva el cabezal de panorámica/inclinación, y establezca los límites de movimiento definitivos.

Partes y sus funciones

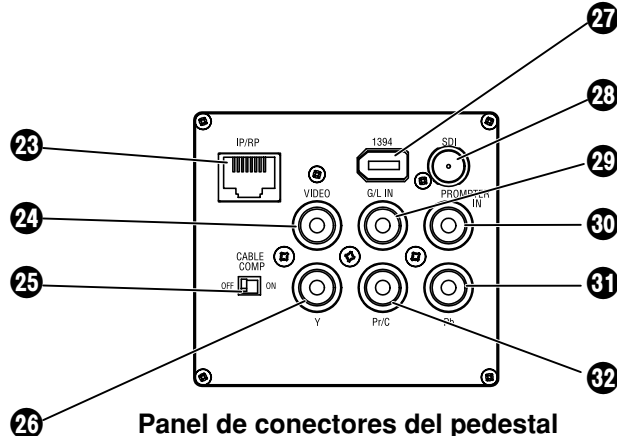


ESPAÑOL

Partes y sus funciones



Panel de conectores del cabezal giratorio



Panel de conectores del pedestal

1 Panel giratorio

El panel giratorio gira en sentido horizontal.

2 Pedestal

3 Interruptor POWER ON/OFF

Cuando se pone en ON se conecta la alimentación; cuando se pone en OFF, la alimentación se desconecta.

4 Entrada de CA 100 [AC IN] (entrada de CA de 3 puntos)

Conecte el cable de alimentación suministrado en esta entrada.

5 Tornillos de montaje de la base de montaje de la cámara

Tornillos de cabeza hueca hexagonal M5 x 20 mm, arandelas planas M5 (3 de cada suministrados) Estas piezas se utilizan para asegurar la base de montaje de la cámara al brazo giratorio.

6 Luz indicadora (suministrada)

Se enciende en rojo mediante las señales seleccionadas.

7 Tornillos de montaje del brazo giratorio

Tornillos de cabeza hueca hexagonal M5 x 20 mm, arandelas planas M5 (4 de cada suministrados) Estas piezas se utilizan para asegurar el brazo giratorio al cabezal giratorio.

8 Brazo giratorio

Este brazo gira en sentido vertical.

9 Base de montaje de la cámara

Monte la cámara convertible en esta base.

10 Agujeros de montaje del cabezal de panorámica/inclinación

Estos cuatro agujeros se utilizan cuando se instala el cabezal de panorámica/inclinación.

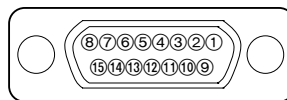
11 Panel Inferior

12 Conector PROMPTER

El apuntador se conecta a este conector.

La máxima corriente que se puede suministrar desde el zócalo DC 12V OUT es 2 A.

Cuando se conecte el indicador, la velocidad del cabezal de panorámica/inclinación se reducirá un tercio aproximadamente.



Disposición de contactos según se mira hacia el conector del apuntador.

N.º de contacto	Nombre de señal
1	---
2	PROMPTER VIDEO GND
3	PROMPTER VIDEO
4	---
5	---
6	---
7	---
8	---
9	DC 12V OUT
10	GND
11	---
12	---
13	---
14	DETECT
15	---
16	GND
17	---

Partes y sus funciones

13 Clavija guía

Utilícela para determinar el sentido en que va a montar la cámara.

14 Tornillos de montaje de la cámara (U1/4" 20UNC)

Estos tornillos se utilizan para asegurar firmemente la cámara después de haberla montado.

15 Panel ciego lateral

Se utiliza cuando el sentido de montaje del panel de conectores del pedestal vaya a cambiarse.

16 Conector SDI IN [SDI IN]

Utilice un cable coaxial para conectar este conector al conector SDI OUT de la tarjeta SDI AW-PB504 o de otra tarjeta instalada en la cámara convertible.

17 Conector ENG LENS CONTROL [ENG LENS CONTROL]

Utilícelo cuando vaya a utilizar un objetivo ENG. Se necesita un cable de conexión opcional.

18 Conector OPTION [OPTION]

La unidad de giro AW-RL400 se conecta aquí utilizando el cable suministrado con la AW-RL400.

19 Conector LENS I/F [LENS I/F]

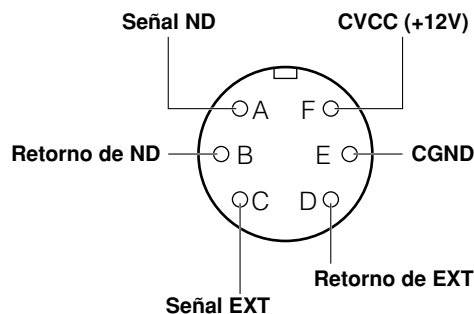
Este conector se utiliza para controlar el zoom y el enfoque del objetivo motorizado. Utilice el cable de control remoto del zoom motorizado (zoom/enfoque) para hacer la conexión.

20 Conector CAMERA I/F [CAMERA I/F]

Este conector se utiliza para conectar la cámara convertible. Utilice el cable de cámara suministrado con el AW-PH400 para conectar el conector con el conector REMOTE de la cámara. Dependiendo de las funciones de la tarjeta puede que se necesite un cable de cámara especial (vendido separadamente).

21 Conector ND/EXT [ND/EXT]

Este conector se utiliza para controlar el filtro ND y el extensor de objetivo del objetivo motorizado. Conecte este conector cuando utilice un objetivo motorizado con funciones de filtro ND y extensor de objetivo. El conector compatible es el R03-P6M o R03-PB6M fabricado por Tajimi Electronics Co., Ltd.



(Disposición de contactos según se mira desde el extremo del cable)

22 Conmutador TALLY OFF/ON [TALLY]

Cuando esté en la posición ON, la luz indicadora se enciende mediante las señales seleccionadas. Cuando esté en la posición OFF, la luz indicadora (6) no se encenderá a pesar de que se suministren las señales seleccionadas.

23 Conector CONTROL IN IP/RP [IP/RP]

Este conector se utiliza para controlar las señales de la cámara y del cabezal de panorámica/inclinación. Se conecta al conector CONTROL OUT TO PAN/TILT del controlador de cabezales de panorámica/inclinación AW-RP400. Utilice un cable recto 10BASE-T (equivalente a la categoría UTP 5) como cable de conexión.

24 Conector VIDEO [VIDEO]

Éste es el conector de salida para las señales de vídeo de la cámara. Se conecta al conector Y/VIDEO del compensador AW-RC400 o monitor, etc. Utilice un cable de conexión BNC como cable de conexión.

25 Conmutador CABLE COMP OFF/ON [CABLE COMP]

Cuando este conmutador se pone en la posición ON, las señales que han sido compensadas por cable para una distancia equivalente a 500 metros salen por el conector VIDEO y los conectores Y, Pr y Pb. Cuando este conmutador se utiliza junto con el compensador de cable AW-RC400, el cable de vídeo se puede extender a un máximo de 1.000 metros.

Partes y sus funciones

26 Conector Y [Y]

Éste es el conector de salida para las señales de vídeo de la cámara.

Se conecta al conector Y/VIDEO del compensador de cable AW-RC400 o monitor, etc. Utilice un cable coaxial BNC como cable de conexión.

Si va a utilizarse la cámara convertible AW-E300, AW-E300A, AW-E600, AW-E800 o AW-E800A deberá instalarse la tarjeta RGB AW-PB302.

27 Conector 1394 [1394]

Este conector se utiliza para controlar la cámara convertible y el cabezal de panorámica/inclinación equipado con una tarjeta IEEE1394 como, por ejemplo, la AW-PB310.

Utilice un cable IEEE1394 como cable de conexión.

28 Conector SDI [SDI]

Éste es el conector de salida para las señales de vídeo de la cámara.

Las señales SDI pueden salir cuando se inserta una tarjeta SDI AW-PB504 u otra tarjeta en la cámara convertible para utilizarla.

Utilice un cable coaxial BNC como cable de conexión.

29 Conector G/L IN [G/L IN]

Éste es el conector de entrada de señal de intersincronizador.

Se conecta al conector G/L OUT del compensador de cable AW-RC400 u otra unidad.

Utilice un cable coaxial BNC como cable de conexión.

30 Conector PROMPTER IN [PROMPTER IN]

Las señales de vídeo para el apuntador se introducen por este conector.

Utilice un cable coaxial BNC como cable de conexión.

31 Conector Pb [Pb]

Éste es el conector de salida para las señales de vídeo de la cámara.

Se conecta al conector Pb del compensador de cable AW-RC400 o monitor, etc.

Utilice un cable coaxial BNC como cable de conexión.

32 Conector Pr/C [Pr/C]

Éste es el conector de salida para las señales de vídeo de la cámara.

Se conecta al conector Pr/C del compensador de cable AW-RC400 o monitor, etc.

Utilice un cable coaxial BNC como cable de conexión.

Instalación (Asegúrese de pedir a su concesionario que le instale la unidad.)

Montaje del cabezal de panorámica/inclinación

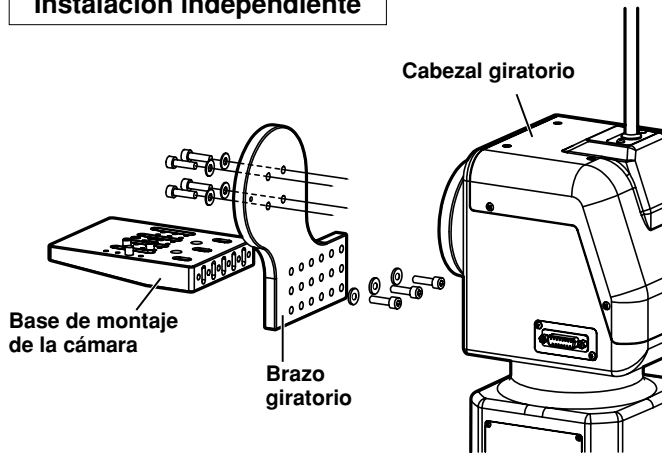
① Colocación de la base de montaje de la cámara

Coloque la base de montaje de la cámara en el brazo giratorio utilizando los tres tornillos. El sentido de montaje dependerá del método de instalación utilizado.

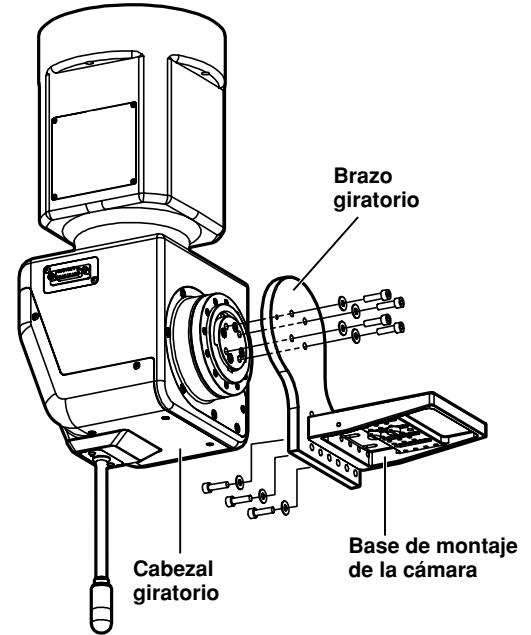
② Colocación del brazo giratorio

Coloque el brazo giratorio en el cabezal giratorio utilizando los cuatro tornillos. El sentido de montaje dependerá del método de instalación utilizado.

Instalación independiente



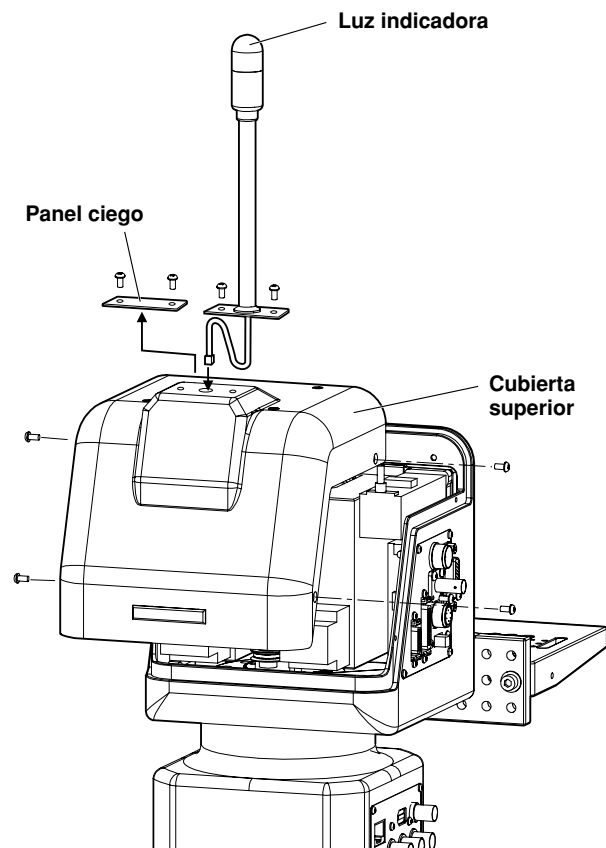
Instalación en el techo



③ Montaje de la luz indicadora

Quite los cuatro tornillos para retirar la cubierta superior.
Quite los dos tornillos para retirar el panel ciego.
Monte la luz indicadora y asegúrela con los tornillos utilizados para colocar el panel ciego.
Conecte el conector de la luz indicadora.
Coloque la cubierta superior y asegúrela utilizando los cuatro tornillos.

- Apriete firmemente los tornillos para asegurarse de que no se aflojen durante la utilización.

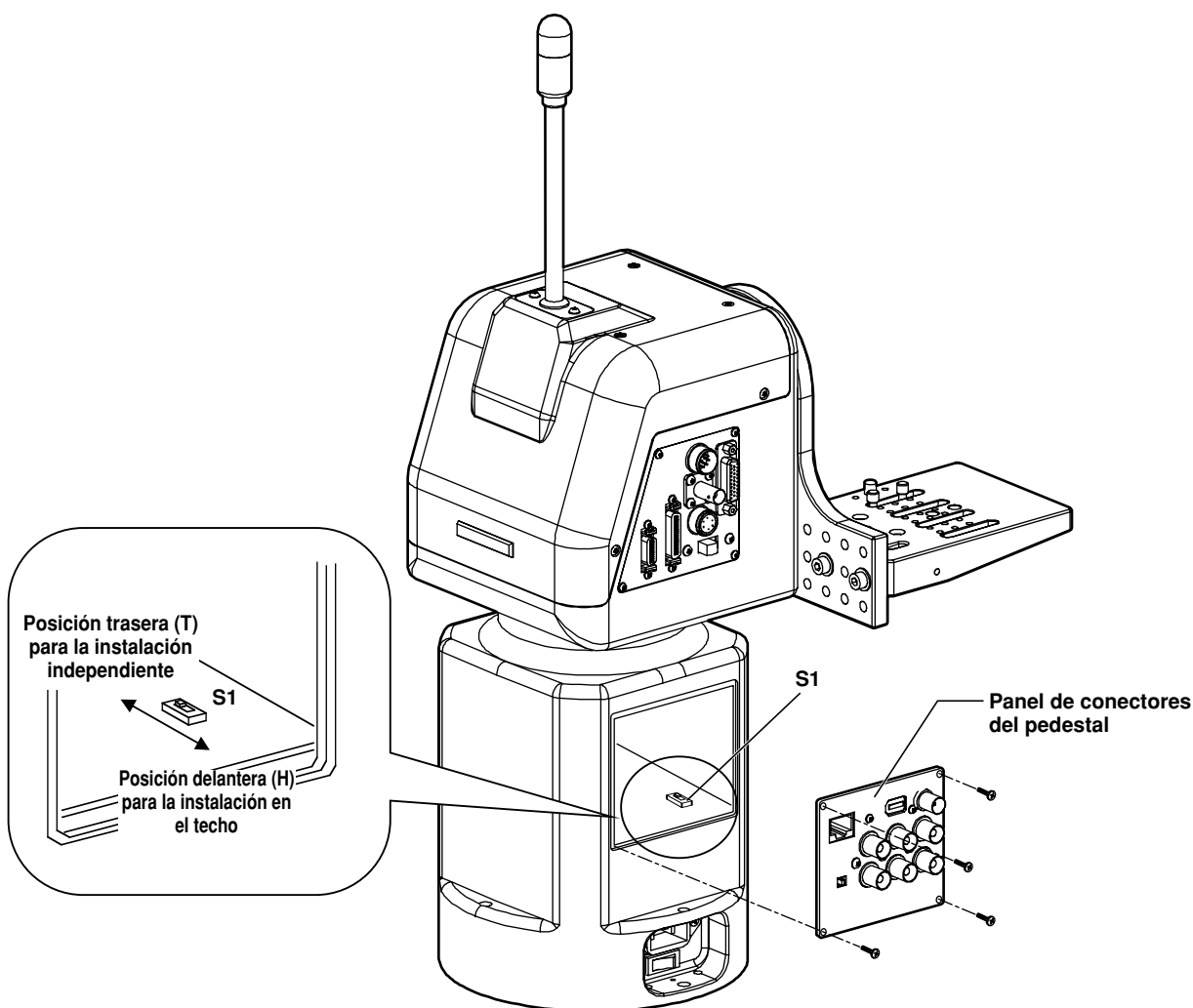


Instalación (Asegúrese de pedir a su concesionario que le instale la unidad.)

■ Ajuste del conmutador de sentido de montaje

Ajuste el conmutador como se indica a continuación cuando vaya a instalar la unidad en el techo.
(Este conmutador fue colocado en la fábrica en la posición de instalación independiente.)

- ① Quite los cuatro tornillos y retire cuidadosamente el panel de conectores del pedestal.
- ② Ajuste el conmutador S1 del PCB del interior del cabezal de panorámica/inclinación de la forma siguiente.
Para instalación independiente:
Ponga el S1 en la posición trasera (T). (Ajuste de fábrica)
Instalación en el techo:
Ponga el S1 en la posición delantera (H).
- ③ Al terminar el ajuste, vuelva a poner el panel de conectores del pedestal en su posición original y fíjelo utilizando los tornillos.
(Tenga cuidado de no pellizcar ni desconectar los cables.)



- Asegúrese de desconectar la alimentación antes de cambiar la posición de este conmutador.

Instalación (Asegúrese de pedir a su concesionario que le instale la unidad.)

■ Ajuste de los conmutadores PCB

Los conmutadores del CONNECTOR PCB necesitan ser ajustados según las señales que van a ser transmitidas y el equipo que va a ser conectado al cabezal de panorámica/inclinación.

(Los conmutadores han sido ajustados en fábrica para compatibilidad con señales analógicas/SDI.)

- **Compatibilidad con señales analógicas/SDI**

Conmutador IP/IEEE: IEEE

Conmutador 422/IP: 422

- **Compatibilidad con tarjeta Web**

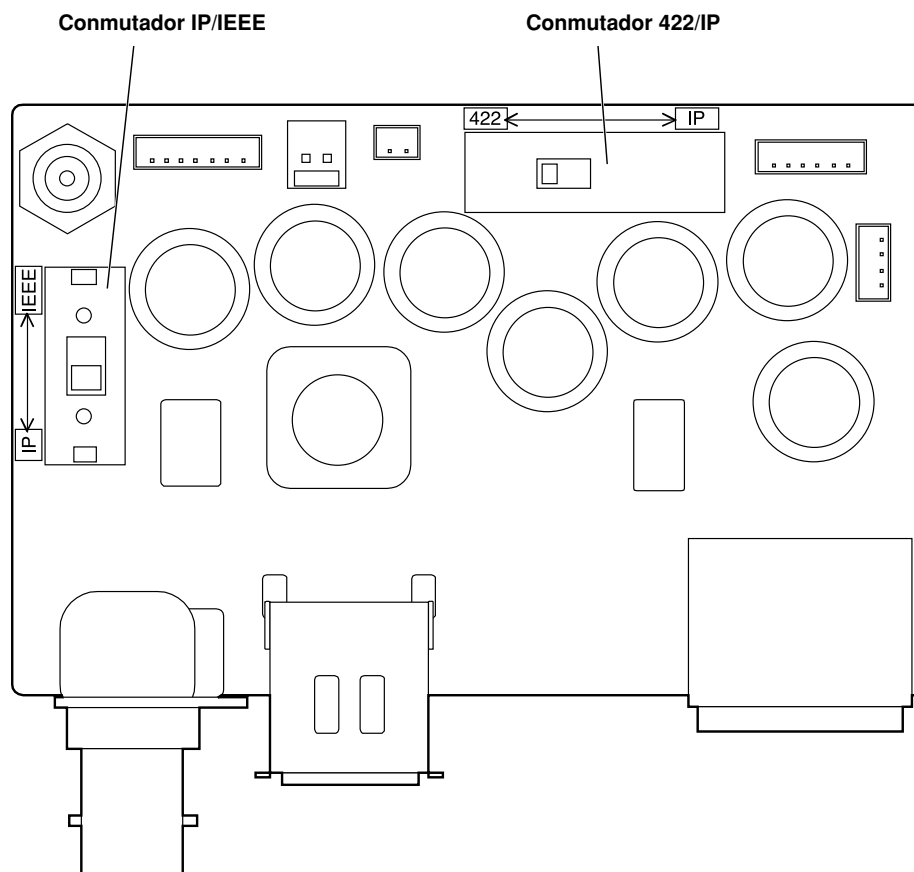
Conmutador IP/IEEE: IP

Conmutador 422/IP: IP

- **Compatibilidad con tarjeta IEEE1394**

Conmutador IP/IEEE: IEEE

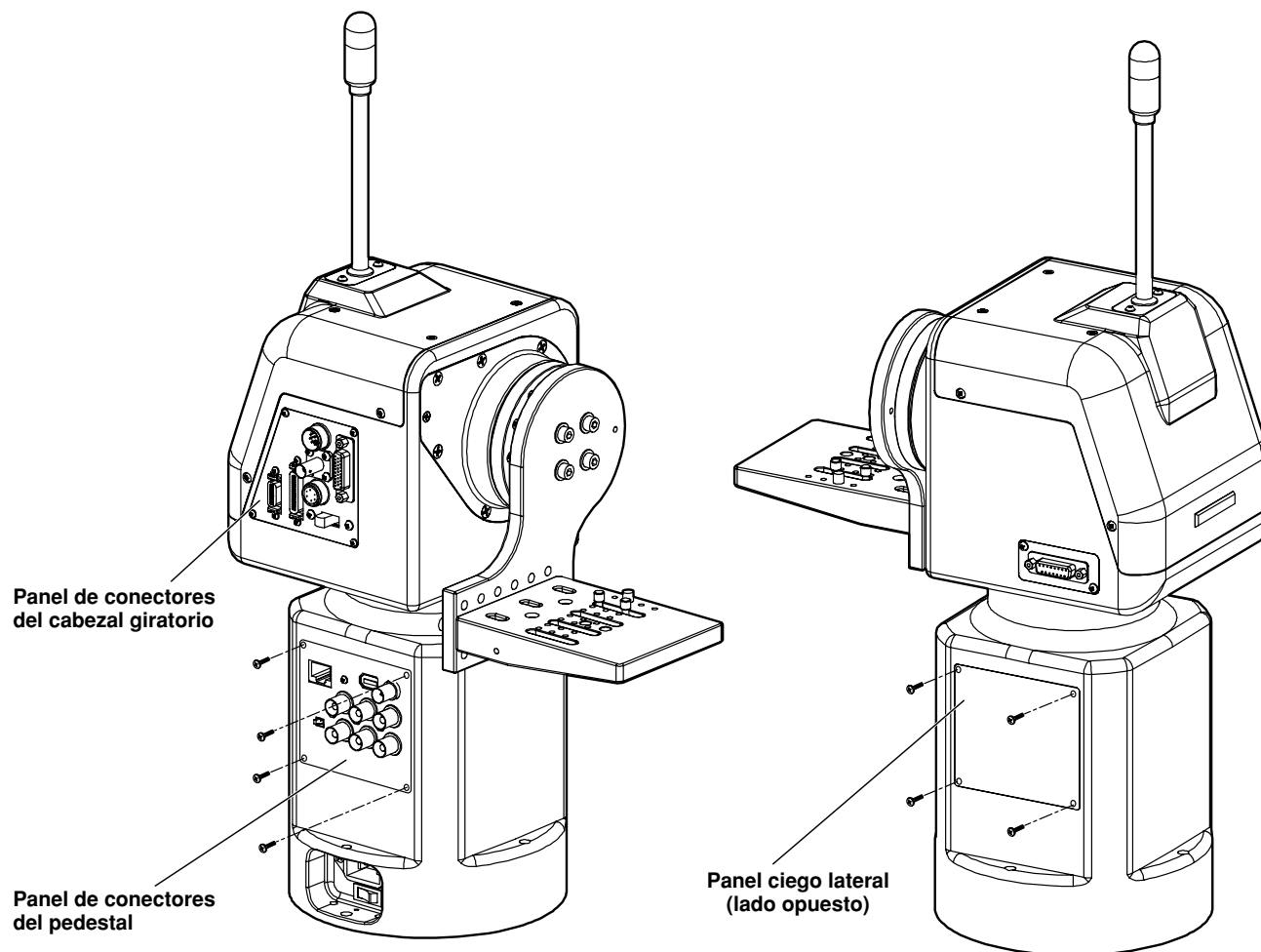
Conmutador 422/IP: 422



Instalación (Asegúrese de pedir a su concesionario que le instale la unidad.)

■ Cambio de la posición de montaje del panel de conectores del pedestal

En caso de ser necesario, la posición en la que está montado el panel de conectores del pedestal se puede cambiar al lado opuesto de la unidad.



- ① Quite los cuatro tornillos del panel de conectores del pedestal y saque dicho panel.
 - ② Desconecte todos los seis conectores del PCB situado en la parte posterior del panel de conectores del pedestal.
 - ③ Quite los cuatro tornillos del panel ciego lateral y retire dicho panel.
 - ④ Mueva el panel de conectores del pedestal hacia el lado opuesto y vuelva a conectar los conectores del PCB como estaban antes.
 - ⑤ Fije con los tornillos el panel de conectores del pedestal y el panel ciego lateral.
- No se puede cambiar ni la posición de montaje ni el sentido de montaje del panel de conectores del cabezal giratorio.

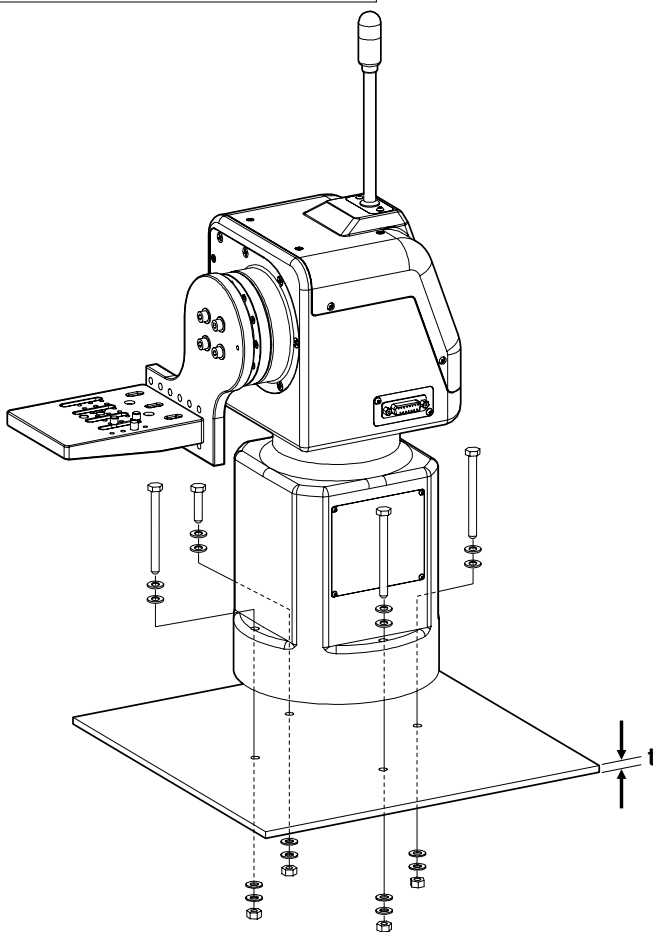
Instalación (Asegúrese de pedir a su concesionario que le instale la unidad.)

■ Instalación del cabezal de panorámica/inclinación

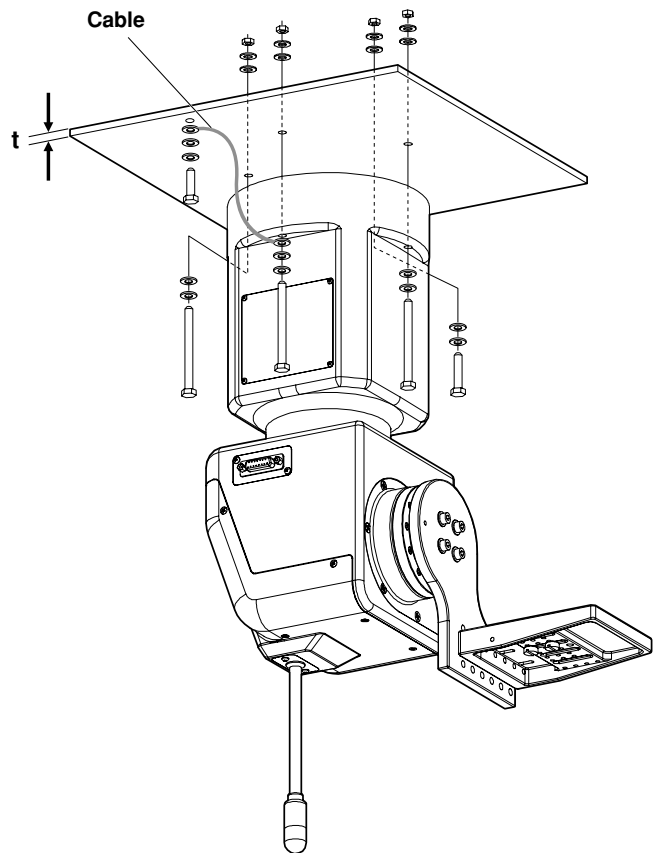
Cuando instale el cabezal de panorámica/inclinación, siga cuidadosamente las instrucciones de abajo. Para impedir accidentes debidos a que el producto se desacopla o cae, asegúrese de seguir las instrucciones al pie de la letra. No instale el cabezal de panorámica/inclinación apoyado en uno de sus lados porque su funcionamiento y rendimiento no podrán ser asegurados.

- Después de instalar el cabezal de panorámica/inclinación, monte la cámara en él.
- Cuando instale el cabezal de panorámica/inclinación, utilice los cuatro agujeros de montaje para instalarlo firmemente.
- Utilice los pernos de cabeza hexagonal M6 (incluyendo un perno corto) para hacer la instalación.
- Utilice pernos de cabeza hexagonal cuya longitud no sea superior al grosor (t) de las partes montadas más 25 mm.
- Como se muestra en la figura, utilice arandelas planas, arandelas de resorte y tuercas hexagonales para los pernos de cabeza hexagonal.
- Utilice una llave del tamaño apropiado para apretar los pernos de cabeza hexagonal.
- Cuando instale el cabezal de panorámica/inclinación en el techo, coloque el cable junto con los pernos, y luego fíjelos firmemente a la parte rígida del techo.
- Utilice un cable capaz de aguantar el peso de todo el conjunto del cabezal de panorámica/inclinación (cabezal de panorámica/inclinación, cámara y cable de objetivo).
- Instale el cabezal de panorámica/inclinación de tal forma que el equipo y el cable en él colocado no entren en contacto con ningún objeto cercano cuando se mueva el cabezal.

Instalación independiente



Instalación en el techo



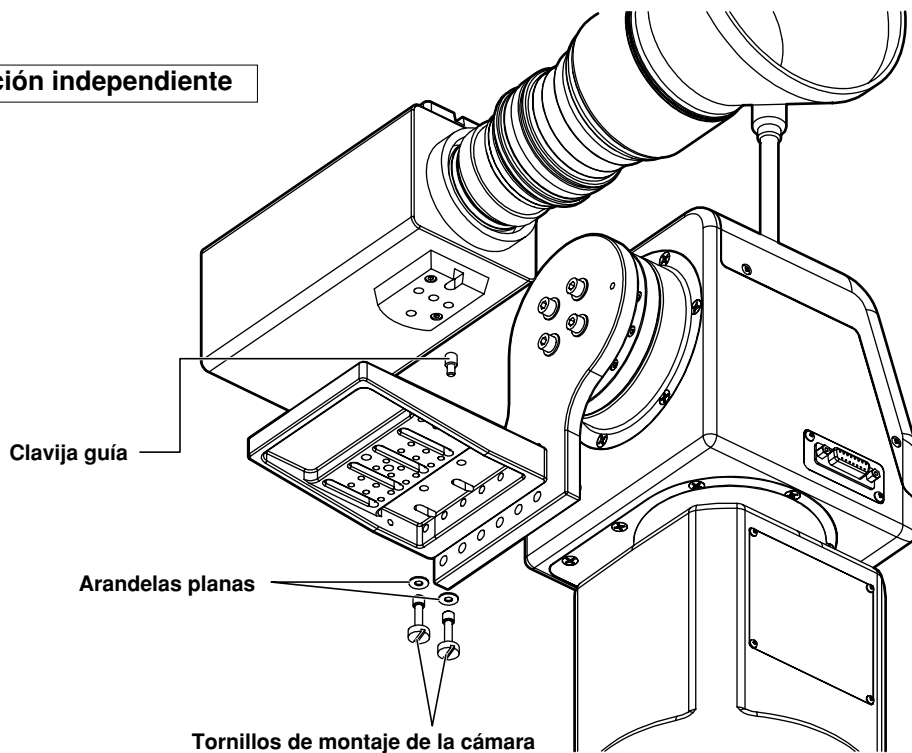
* Cuando instale el cabezal de panorámica/inclinación, no gire a la fuerza con la mano el cabezal giratorio ni el brazo giratorio. Si lo hace podrá producirse un fallo en el funcionamiento.

Instalación (Asegúrese de pedir a su concesionario que le instale la unidad.)

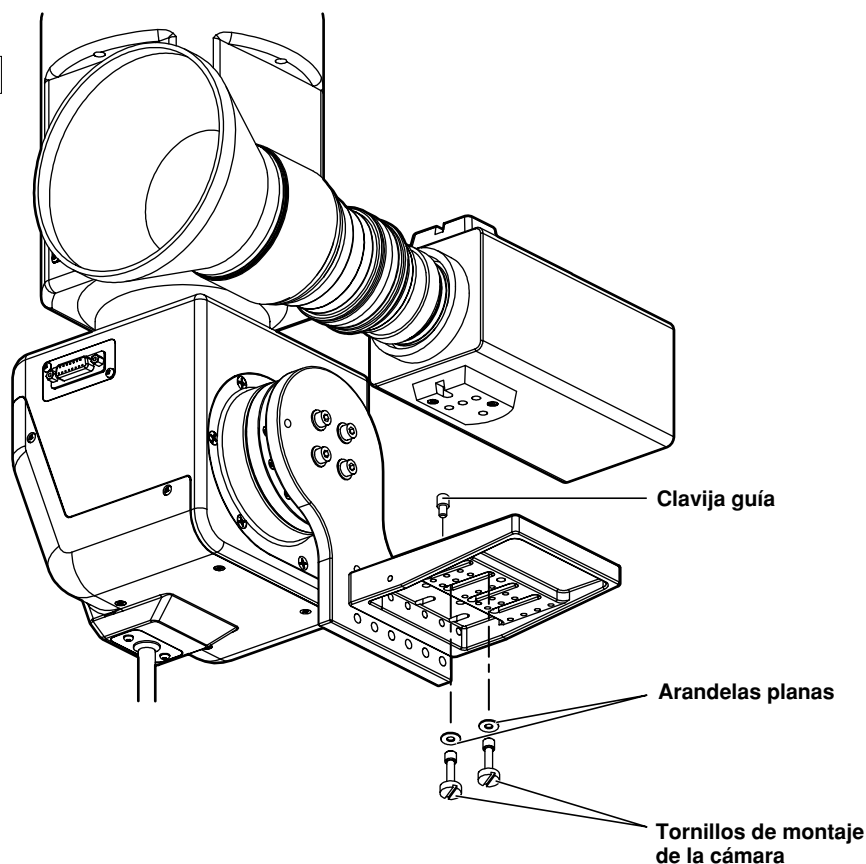
■ Montaje de la cámara

- ① Seleccione las posiciones de la clavija guía y los tornillos de montaje de la cámara según la cámara y el objetivo que vaya a utilizar, y luego monte la cámara. Cuando monte la cámara en el cabezal de panorámica/inclinación, tenga mucho cuidado y asegúrese de que la cámara no se caiga.

Instalación independiente



Instalación en el techo



Instalación (Asegúrese de pedir a su concesionario que le instale la unidad.)

■ Colocación de la cadena

Cuando monte la cámara AW-E750

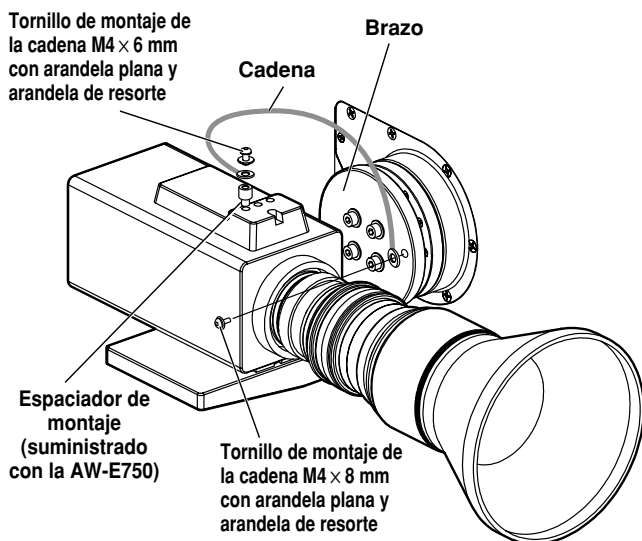
- ① Utilice el tornillo de montaje de la cadena (M4 × 8 mm con arandela plana y arandela de resorte) para colocar un extremo de la cadena en el brazo del cabezal de panorámica/inclinación.
- ② Monte el espaciador de montaje en el panel superior de la cámara.
- ③ Utilice el tornillo de montaje de la cadena (M4 × 6 mm con arandela plana y arandela de resorte) para colocar el otro extremo de la cadena en el agujero roscado del espaciador de montaje.

Cuando monte la cámara AW-E350 o AW-E650

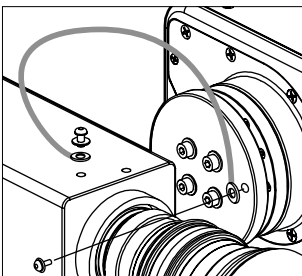
- ① Utilice el tornillo de montaje de la cadena (M4 × 8 mm con arandela plana y arandela de resorte) para colocar un extremo de la cadena en el brazo del cabezal de panorámica/inclinación.
- ② Utilice el tornillo de montaje de la cadena (M4 × 6 mm con arandela plana y arandela de resorte) para colocar el otro extremo de la cadena en el agujero roscado del panel superior de la cámara.

Instalación independiente

● Cámara: AW-E750

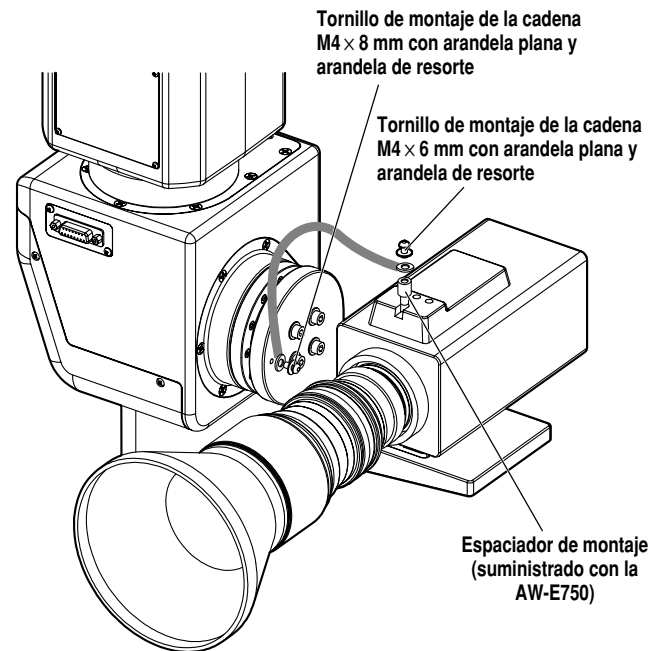


● Cámara: AW-E650, AW-E350

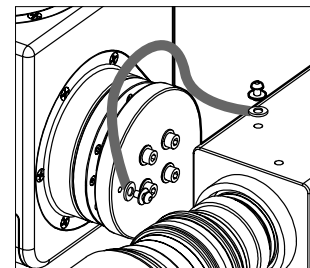


Instalación en el techo

● Cámara: AW-E750



● Cámara: AW-E650, AW-E350



* Asegúrese de apretar firmemente el espaciador de montaje y los tornillos utilizando una herramienta como, por ejemplo, un destornillador.

Cambio de piezas consumibles

■ Cambio de la pila

La pila tiene una duración aproximada de 5 años.

La unidad guarda en su memoria las posiciones preajustadas, los limitadores y otros datos. Estos datos se mantendrán en la memoria aunque se desconecte la alimentación, pero si la pila ha llegado al final de su vida de servicio, los datos se perderán cuando se desconecte la alimentación.

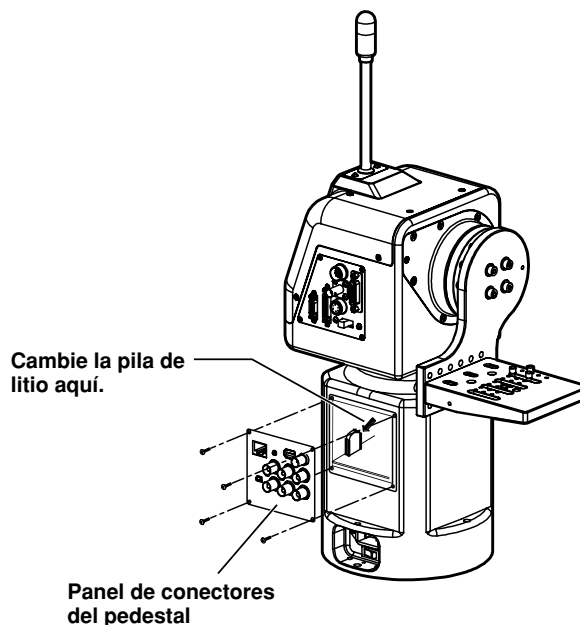
Cambie la pila agotada por otra nueva. (Pila utilizada: pila de litio bióxido de manganeso CR2032)

■ Extracción de la pila

- ① Quite los cuatro tornillos y retire el panel de conectores del pedestal.
- ② Empuje la pila en el sentido indicado por la flecha de la figura y deslícela hacia el exterior.
- ③ Con la pila en el exterior, levántela desde el lado inferior de la parte que tiene la flecha.
- ④ Después de desacoplar la parte con la flecha del portapila, saque la batería hacia usted.

■ Instalación de la pila

- ① Ponga el lado “+” de la pila nueva en el lado delantero e inserte su extremo en el portapila en el sentido mostrado por la flecha.
- ② Empuje la pila hacia el interior del portapila mientras empuja la pila en el sentido de la flecha.
- ③ Coloque el panel de conectores del pedestal utilizando los cuatro tornillos.



■ Cambio del motor

Cambie el motor cuando deje de funcionar correctamente.

Para conocer detalles del cambio del motor, consulte a su concesionario.

■ Cambio de la correa

Cambie la correa cuando se deteriore la precisión de parada preajustada.

Para conocer detalles del cambio de la correa, consulte a su concesionario.

■ Cambio del engranaje

Cambie el engranaje cuando se deteriore la precisión de parada preajustada.

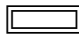
Para conocer detalles del cambio del engranaje, consulte a su concesionario.

**El motor, el engranaje y la correa son piezas consumibles.
Necesitan ser cambiadas a intervalos periódicos.**

Especificaciones

Alimentación: 240 V CA, 50/60 Hz

Consumo: 145 W

 indica información de seguridad.

Entrada de intersincronizador:	BNC Sincronización cromática del negro o señal de vídeo compuesta
Entrada de apuntador (PROMPTER IN):	BNC Salida de paso al conector PROMPTER
Salida del apuntador (PROMPTER OUT):	D-SUB 15 contactos
Salida de vídeo de cámara	
VIDEO:	BNC, salida de 75 ohmios, 1 Vp-p Cable de conexión: 5C-2V, máximo de 1.000 metros
Y, Pr/C, Pb:	Y/C Y: 1 Vp-p/75 ohmios C: 0,285 Vp-p/75 ohmios (sincronización cromática) Vídeo componente: Y: 1 Vp-p/75 ohmios Pr: 0,7 Vp-p/75 ohmios Pb: 0,7 Vp-p/75 ohmios Cable de conexión: 5C-2V, máximo de 1.000 metros
SDI:	BNC
Control de cámara, cabezal de panorámica/inclinación:	
RP/IP	RJ-45, RS-485, salida de señal de control del cabezal de panorámica/inclinación Cable de conexión: Cable recto 10BASE-T (equivalente a UTP categoría 5), máximo de 500 metros
Funciones/rendimiento:	Capacidad de aguante máximo de carga: 8 kg Margen de inclinación: 190 grados (±95 grados aproximadamente) El margen de inclinación está sujeto a restricciones dependiendo del cable y del objetivo de la cámara que va a montarse en el cabezal de panorámica/inclinación. Margen de panorámica: 400 grados (±200 grados aproximadamente) Velocidad máxima de funcionamiento: 90 grados/segundo (Velocidad máxima de funcionamiento con el apuntador silenciado: 30 grados/segundo) Repetibilidad: ±30" Nivel de ruido: Menos de NC30 (a menos de 30 grados/segundo)
Temperatura ambiental de funcionamiento:	0°C a +45°C
Temperatura para guardar la unidad:	-20°C a +60°C
Humedad ambiental de funcionamiento:	30% a 90% (sin condensación)
Dimensiones (An x Al x Prof):	??? x ??? x ??? mm
Peso:	?? kg aproximadamente
Acabado:	Marfil AV (color parecido a Munsell 7.9Y6.8/0.8)

El peso y las dimensiones indicados arriba son aproximados.
Las especificaciones están sujetas a cambios sin previo aviso.

Introducción

- Este controlador de cabezales de panorámica/inclinación permite controlar hasta cinco cabezales de panorámica/inclinación para interiores AW-PH400.
- Conectando el panel de control remoto AW-CB400 o la caja de control remoto WV-CB700A al controlador se pueden controlar al mismo tiempo las cámaras convertibles montadas en los cabezales de panorámica/inclinación.
- Instalando un controlador adicional se pueden controlar al mismo tiempo dos de las cinco unidades del sistema de cabezal de panorámica/inclinación.
- Se puede utilizar un máximo de cinco memorias de trazado.
- Se pueden establecer hasta 50 memorias de preajustes.
- La distancia de conexión entre el controlador y el sistema de cabezal de panorámica/inclinación se puede extender hasta un máximo de 500 metros.

NOTA

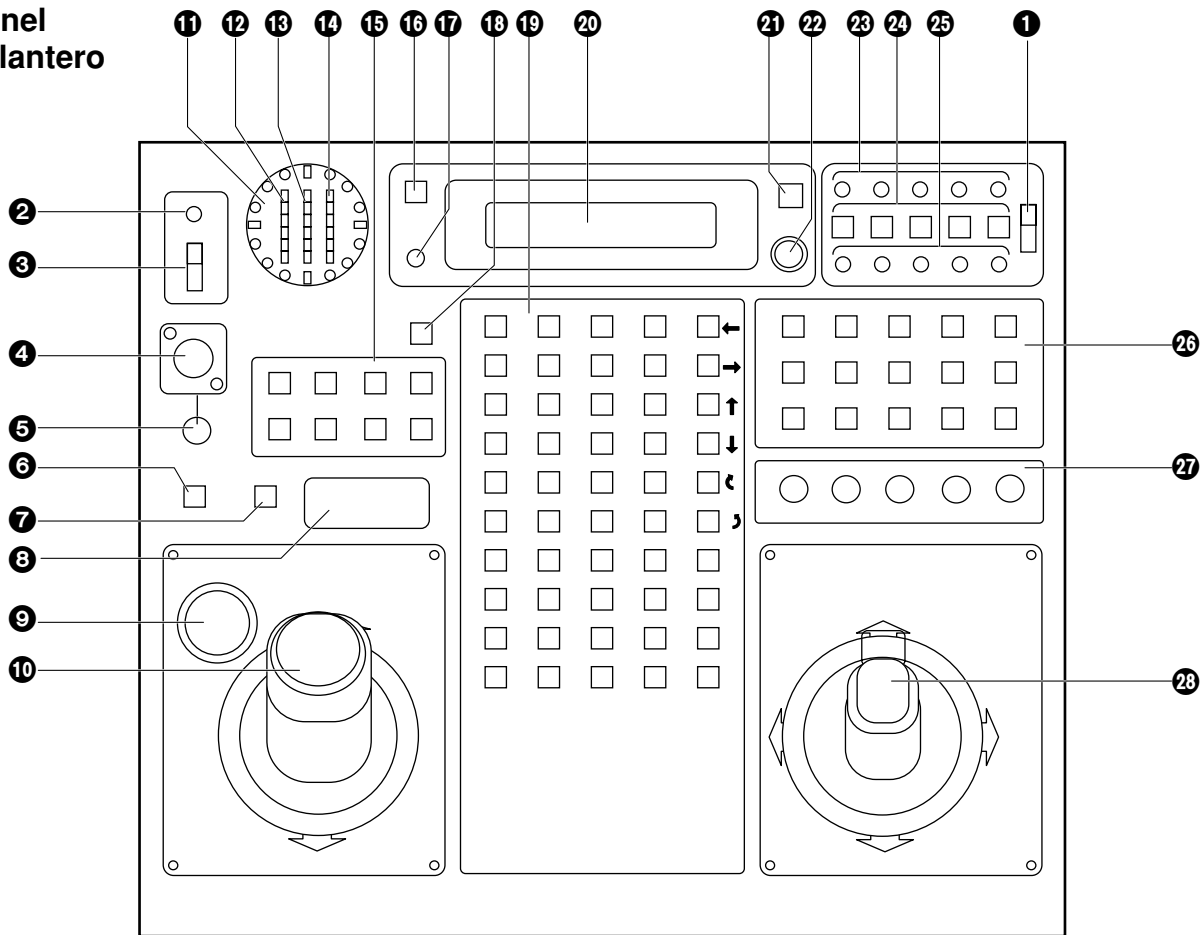
- El AW-RP400 no se puede utilizar para controlar los modelos de cabezales de panorámica/inclinación AW-PH300, AW-PH300A, AW-PH350, AW-PH500 o AW-PH600.
- Antes de utilizar el controlador, el margen de movimiento (limitadores) del sistema de cabezal de panorámica/inclinación deberá establecerse sin falta.
- Cuando el controlador AW-PH400 vaya a tirarse al final de su vida de servicio, pida a un contratista especializado que disponga de él apropiadamente para proteger el medio ambiente.

Accesorios

Conmutador de zoom	1
Clavija (D-SUB 15 contactos) para el sistema de indicador/INCOM	1 juego
Adaptadores de montaje en estantería	2
Tornillos de montaje (M4 × 8 mm)	4

Partes y sus funciones

■ Panel delantero



1 Conmutador EXT CONT [M/S]

Este conmutador se mantiene normalmente en la posición [M] (maestro).

Cuando se instala un controlador AW-RP400 adicional, ponga el conmutador EXT CONT de la unidad adicional en [S] (esclavo).

Si no va a instalarse un controlador AW-RP400 adicional, el conmutador EXT CONT de este controlador deberá mantenerse en la posición [M] (maestro) sin falta.

2 Luz OPERATE

Esta luz se enciende en verde cuando el interruptor OPERATE (3) está en ON. Se apaga cuando el interruptor se pone en OFF.

3 Interruptor OPERATE [OFF/ON]

Cuando este interruptor se pone en [ON], la alimentación de los cabezales de panorámica/inclinación conectados a las cámaras se conecta, y se activa el control del sistema.

Cuando se pone en [OFF], la alimentación de los cabezales de panorámica/inclinación conectados a las cámaras se desconecta.

NOTA

Cuando se instale y utilice un controlador AW-RP400 adicional no será posible realizar el control desde el controlador esclavo a menos que los interruptores OPERATE, no sólo los del controlador esclavo, sino también los del controlador principal, estén en la posición [ON]. No se olvide de poner primero el interruptor OPERATE del controlador esclavo en [ON] antes de poner el interruptor OPERATE del controlador maestro en [ON].

4 Toma INCOM

Aquí se conectan los auriculares INCOM (intercomunicación).

5 Control LEVEL

Utilice este control para ajustar el volumen del receptor de los auriculares.

6 Botón CALL

Cuando se pulse este botón sonará el zumbador del controlador conectado y la luz del botón CALL se encenderá.

Partes y sus funciones

7 Botón IRIS [AUTO/MANU/LOCK]

Utilice este botón para seleccionar el método de ajuste del iris del objetivo de las cámaras del sistema de cabezal de panorámica/inclinación actualmente seleccionado.

Cada vez que lo pulse, el ajuste cambiará en el orden siguiente: AUTO, MANU y LOCK.

AUTO: La cámara ajusta automáticamente el iris del objetivo según la intensidad de la luz, y la luz del botón IRIS se enciende.

MANU: El iris del objetivo se ajusta manualmente utilizando el dial IRIS. Con este ajuste, la luz del botón IRIS se apaga.

LOCK: El iris del objetivo se bloquea con el ajuste establecido manualmente. El iris no se mueve aunque se gire el dial IRIS (9). En este estado, la luz del botón IRIS parpadea lentamente.

Estando seleccionado MANU o LOCK, la luz del botón IRIS empieza a parpadear rápidamente cuando se gira el dial IRIS: esto indica que el iris del objetivo no puede controlarse aunque se gire el dial IRIS (9).

- El botón IRIS del controlador no funciona cuando la caja de control remoto WV-CB700A está conectada al controlador. Seleccione AUTO o MANU utilizando el botón IRIS [AUTO/MAN] de la WV-CB700A.

8 Ranura SD CARD

Ésta es la ranura donde se inserta la tarjeta de memoria SD.

Los ajustes del cabezal de panorámica/inclinación y de la cámara se pueden guardar en esta tarjeta.

9 Dial IRIS

El iris del objetivo se puede ajustar girando este dial mientras el botón IRIS [AUTO/MANU/LOCK] (7) está en la posición MANU.

El iris se abre girando el dial hacia la derecha y se cierra girándolo hacia la izquierda.

- El dial IRIS del controlador no funciona cuando la caja de control remoto WV-CB700A está conectada al controlador. Ajuste el iris utilizando el control IRIS de la WV-CB700A.

10 Palanca ZOOM/dial FOCUS

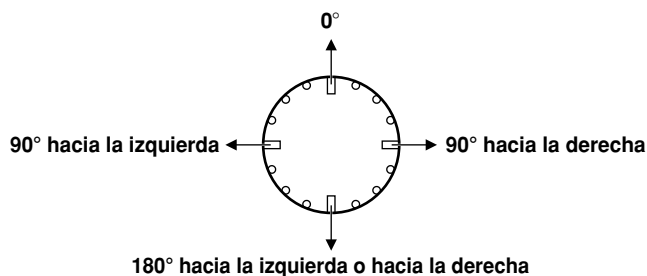
Utilice la palanca ZOOM para ajustar el zoom del objetivo. Los ajustes TELE (telefoto) y WIDE (granangular) se establecen mediante el sentido en que se inclina la palanca; la velocidad del zoom se ajusta mediante el ángulo con el que se inclina la palanca. El objetivo se enfoca utilizando el dial FOCUS de la parte superior de la palanca.

11 Indicador PAN

Para visualizar la posición del cabezal de panorámica/inclinación en el sentido de giro horizontal de 200 grados hacia la derecha o hacia la izquierda se emplean dieciséis LEDs.

Cuando el cabezal de panorámica/inclinación se gira hacia la derecha más de 180 grados hasta un máximo de 200 grados, el LED de 180 grados parpadea, y los LEDs a su izquierda se encienden.

Y a la inversa, cuando el cabezal de panorámica/inclinación se gira hacia la izquierda más de 180 grados hasta un máximo de 200 grados, el LED de 180 grados parpadea, y los LEDs a su derecha se encienden.



12 Indicador IRIS

La posición del iris del objetivo en el sistema de cabezal de panorámica/inclinación actualmente seleccionado se indica mediante una visualización de 6 pasos (CLOSE → OPEN).

13 Indicador ZOOM

La posición del zoom del objetivo en el sistema de cabezal de panorámica/inclinación actualmente seleccionado se indica mediante una visualización de 6 pasos (WIDE → TELE).

14 Indicador FOCUS

La posición del enfoque del objetivo en el sistema de cabezal de panorámica/inclinación actualmente seleccionado se indica mediante una visualización de 6 pasos (NEAR → FAR).

15 Conmutadores OPTION [A a H]

Las funciones "NOT USE", "LAMP", "DEFROSTER", "WIPER", "HEATER/FAN", "AF", "ND", "OPTION" y "EXTENDER" se pueden asignar a los conmutadores OPTION A a H mediante los ajustes de menús.

16 Botón HOME

Pulse este botón para mover el cabezal de panorámica/inclinación y la unidad de giro a la posición inicial.

17 CD CONTRAST control

Utilice este control para ajustar el contraste del panel LCD.

Partes y sus funciones

18 Botón MEMORY

Cuando se pulsa uno de los botones selectores PRESET MEMORY (19) [1] a [50] mientras se mantiene pulsado el botón MEMORY, los ajustes del sistema de cabezal de panorámica/inclinación se pueden registrar en los botones selectores PRESET MEMORY.

El botón MEMORY parpadea si el cabezal de panorámica/inclinación seleccionado mediante el botón CONTROL SELECT (24) no está conectado o su alimentación no ha sido conectada.

19 Botones selectores PRESET MEMORY [1] a [50]

Utilice estos botones para llamar a los ajustes registrados en ellos. Cuando se hayan registrado datos en las memorias de trazado aparecerán las visualizaciones del tiempo de grabación/reproducción.

20 Panel LCD

En este panel se visualizan los estados de los ajustes actuales.

21 Botón MENU/LIMIT

Mantenga pulsado este botón durante dos o más segundos para encender o apagar el menú de ajuste. Cuando se pulsa el botón selector PRESET MEMORY (19) [5], [10], [15], [20], [25] o [30] mientras se mantiene pulsado el botón MENU/LIMIT se pueden encender/apagar los limitadores.

22 Dial CONT

Se utiliza para las operaciones del menú de ajuste.

23 Luces TALLY [1] a [5]

Cuando las señales indicadoras se suministran a los conectores TALLY/INCOM (31) [1] a [5] del panel trasero, las luces con los números correspondientes a esos conectores se encenderán.

Cuando se suministren señales indicadoras a los conectores de indicadores [1] a [5] del panel de control remoto AW-CB400, si este panel está conectado al controlador de cabezales de panorámica/inclinación, las luces con los números correspondientes a esos conectores se encenderán.

24 Botones CONTROL SELECT [1] a [5]

Los conectores CONTROL OUT TO PAN/TILT HEAD (34) [P1] a [P5] del panel trasero se pueden seleccionar pulsando los botones [1] a [5]. Las luces de los botones correspondientes a los números de los botones seleccionados se encienden, y los sistemas de cabezales de panorámica/inclinación pueden ser controlados.

Cuando el conector MONI SEL OUT (35) de este controlador se conecta al conector MONI SEL IN del compensador de cable AW-RC400 se puede dar salida a las imágenes de la cámara conectada al conector MONI1 o MONI2 del AW-RC400.

- Cuando se conecten dos controladores AW-RP400, la combinación de los controladores que seleccionen la salida de monitor se podrá elegir en el menú.

25 Luces ANOTHER CONTROL [1] a [5]

Cuando se conecta otro controlador AW-RP400, estas luces indican los números de los sistemas de cabezales de panorámica/inclinación seleccionados mediante el controlador AW-RP400 adicional.

26 Botones TRACING MEMORY [START POINT, STOP, RESTORE, RESET, 1 a 10]

Utilice estos botones para las operaciones de la memoria de trazado. Para conocer detalles de la operación, consulte la sección de la memoria de trazado.

27 Controles SPEED

[ZOOM/FOCUS/PAN/TILT/ROTATION]

Estos controles permiten ajustar las velocidades de control del cabezal de panorámica/inclinación, objetivo y unidad de giro.

Girando estos controles hacia la izquierda, hasta el máximo, el funcionamiento de los cabezales de panorámica/inclinación y de los objetivos podrá anularse aunque se haga el control con el mando de control, etc.

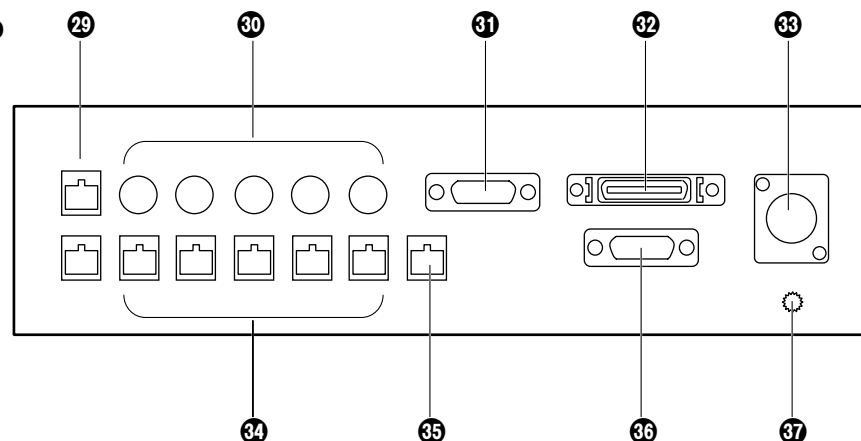
28 Palanca PAN/TILT/conmutador de control ROTATION

Utilícelos para ajustar el sentido de los cabezales de panorámica/inclinación. Cuando la palanca se incline hacia la izquierda o hacia la derecha, los cabezales de panorámica/inclinación se moverán hacia la izquierda o hacia la derecha; cuando se incline hacia arriba o hacia abajo, los cabezales de panorámica/inclinación se moverán hacia arriba o hacia abajo. La velocidad de movimiento se podrá ajustar según el ángulo con que se mueve la palanca.

Además, el ángulo de la unidad de giro AW-RL400 se puede ajustar utilizando el conmutador de control ROTATION de la parte delantera de la palanca. Pulsando la parte superior del conmutador de control ROTATION, la unidad de giro gira hacia la derecha; pulsando la parte inferior, la unidad de giro gira hacia la izquierda. La velocidad de giro cambia según el esfuerzo de pulsación ejercido.

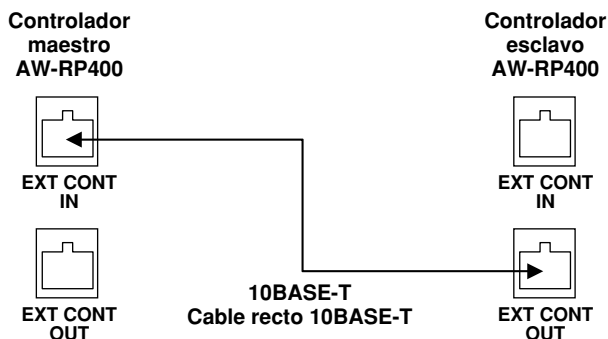
Partes y sus funciones

■ Panel trasero



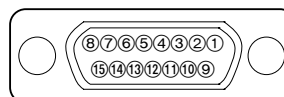
29 Conectores EXT CONT IN/OUT

Cuando vaya a conectar un controlador AW-RP400 adicional, conecte estos conectores de los dos controladores AW-RP400 utilizando un cable recto 10BASE-T (equivalente a UTP categoría 5).



31 Conector TALLY/INCOM

Conecte este conector al conector TALLY/INCOM del conmutador de vídeo o de otra unidad. Cuando el conector de entrada TALLY se ajuste al nivel GND, la luz TALLY del controlador o del cabezal de panorámica/inclinación se encenderá. No aplique una tensión superior a 5 V a este conector.



Disposición de contactos vista desde el panel trasero del AW-RP400

N.º de contacto	Nombre de señal
1	TALLY1
9	TALLY2
2	TALLY3
10	TALLY4
3	TALLY5
11	TALLY GND
4	---
12	---
5	---
13	---
6	MIC+
14	MIC-
7	INCOM GND
15	SP-
8	SP+

30 Conectores CAMERA CONTROL IN FROM RCB [P1] a [P5]

Conecte las cajas de control remoto WV-CB700A a estos conectores.

Las cámaras instaladas en los cabezales de panorámica/inclinación correspondientes a los puertos donde han sido conectadas las cajas de control remoto WV-CB700A pueden ser controladas ahora.

A pesar de conectar una caja de control remoto WV-CB700A, las cámaras no se podrán controlar desde el panel de control remoto AW-CB400 aunque éste se encuentre conectado.

Utilice la clavija suministrada (D-SUB 15 contactos) para conectar las señales del indicador/INCOM al sistema. Conecte un sistema INCOM de 4 cables al conector INCOM.

Cuando se haya provisto un controlador adicional o cuando se haya conectado el panel de control remoto AW-CB400, la función del indicador o INCOM de todas las unidades se activará si las señales del indicador o INCOM se conectan a una de las unidades.

Partes y sus funciones

32 Conector REMOTE

Conecte una unidad externa a este conector para controlar los sistemas de cabezales de panorámica/inclinación desde un PC u otra unidad auxiliar.

Conecte el conector al PC utilizando el cable de interfaz RS-232C AW-CA50T9.

33 Zócalo DC 12V IN

Conecte a este zócalo el adaptador de CA AW-PS505 (vendido separadamente).

34 Conectores CONTROL OUT TO PAN/TILT HEAD [P1] a [P5]

Conecte estos conectores a los conectores IP/RP de los cabezales de panorámica/inclinación para interiores AW-PH400 utilizando cables rectos 10BASE-T (equivalentes a UTP categoría 5). Los cables se pueden extender hasta un máximo de 500 metros.

35 Conector MONI SEL OUT

Conecte este conector al conector MONI SEL OUT del compensador de cable AW-RC400 utilizando un cable recto 10BASE-T (equivalente a UTP categoría 5). Las imágenes de la cámara seleccionada por el controlador pueden salir ahora desde el conector MONITOR1 o MONITOR2 del AW-RC400.

36 Conector CAMERA CONTROL IN FROM RCP

Conecte el panel de control remoto AW-CB400 a este conector utilizando el cable de conexión suministrado con el AW-CB400.

Las cámaras instaladas en los cabezales de panorámica/inclinación se pueden controlar ahora desde el AW-CB400.

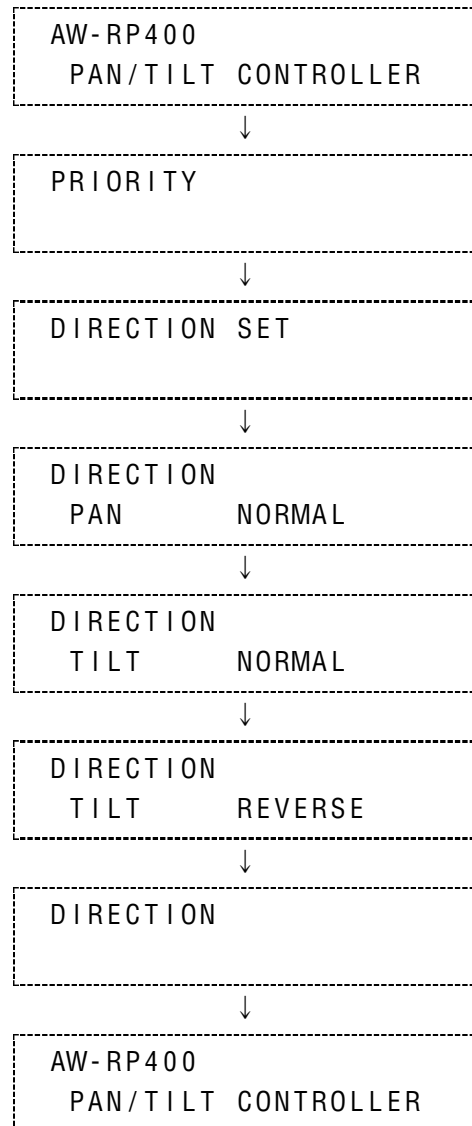
37 Terminal de tierra

Conecte este terminal a tierra.

Ajustes de menús

■ Método de funcionamiento

- ① Los elementos de ajuste de menús se visualizan cuando el conmutador MENU/LIMIT se mantiene pulsado durante dos segundos o más.
- ② Si no aparece nada en la línea inferior del visualizador LCD, gire el dial CONT para seleccionar un elemento de menú.
- ③ Cuando se pulse el dial CONT, lo que haya sido establecido aparecerá en la línea inferior. Si se va a hacer más de un ajuste en el elemento de menú, los ajustes de la línea inferior cambian cada vez que se pulsa el botón.
- ④ Cuando se visualiza un ajuste, éste se puede cambiar girando el dial CONT.
- ⑤ Pulse sucesivamente el dial CONT: todos los ajustes detallados finalizan, y la visualización de la línea inferior desaparece, permitiendo seleccionar otro elemento de menú.
- ⑥ Para salir del menú de ajuste, mantenga pulsado el conmutador MENU/LIMIT durante dos o más segundos. Aunque se visualice un ajuste en la línea inferior del visualizador LCD, manteniendo pulsado durante dos segundos o más el conmutador MENU/LIMIT se podrá salir del menú.



Ajustes de menús

■ Lista de ajustes y elementos de menús

Elemento de menú	Ajuste	Descripción	Valor inicial
PRIORITY		MASTER, SLAVE	MASTER
DIRECTION	PAN	NORMAL, REVERSE	NORMAL
	TILT		
	ZOOM		
	FOCUS		
	IRIS		
	ROTATION		
SPEED WITH ZOOM POS.		OFF, 1, 2, 3	OFF
MEMORY LENGTH		60s, 120s, 300s, 600s	60s
PRESET SPEED		1 a 25	25
IRIS CONTROL		BOTH, RP400, CB400	BOTH
ROTATION SWITCH		ROTATION, FOCUS, ZOOM, IRIS	ROTATION
OPTION SWITCH	A	NOT USE, LAMP, EFROSTER, WIPER, HEATER/FAN, AF, ND, OPTION, EXTENDER	NOT USE
	B		
	C		
	D		
	E		
	F		
	G		
H			
CONTROL SELECT MODE		INTERLOCK, UN-INTERLOCK	INTERLOCK
MONITOR2 SELECT	(cuando el controlador es el maestro)	CB400, SLAVE	CB400
	(cuando el controlador es el esclavo)	RP400, CB400	RP400
BUZZER		OFF, ON	ON
AUTO RUN	START No.	1 a 50	1
	END No.	1 a 50	50
	INTERVAL	1s a 30s	1s
	OPERATE	STOP, RUN	STOP
SD CARD		STORE, LOAD	---

PRIORIDAD (MASTER/SLAVE)

Cuando se hayan conectado dos controladores de cabezales de panorámica/inclinación AW-RP400 tendrá que establecerse la prioridad de los botones CONTROL SELECT.

Cuando se seleccione MAESTRO como ajuste, tendrá prioridad el controlador maestro AW-RP400; cuando se seleccione ESCLAVO como ajuste, tendrá prioridad el controlador esclavo AW-RP400.

Si el controlador AW-RP400 de alta prioridad ha seleccionado los cabezales de panorámica/inclinación, que fueron seleccionados mediante el controlador AW-RP400 de baja prioridad, las luces CONTROL SELECT del controlador AW-RP400 de baja prioridad empezarán a parpadear para indicar que cede el control al otro controlador. Este ajuste se realiza utilizando el controlador AW-RP400 maestro.

Ajustes de menús

Ajustes DIRECTION (PAN, TILT, ZOOM, FOCUS, IRIS, ROTATION NORMAL/REVERSE)

Cuando se utiliza la palanca o el dial, el elemento de menú DIRECTION permite ajustar el sentido de funcionamiento de PAN, TILT, ZOOM, FOCUS, IRIS o ROTATION según quiera el usuario.

- PAN:** Cuando se selecciona NORMAL, el cabezal de panorámica/inclinación se mueve hacia la izquierda cuando la palanca PAN/TILT se inclina hacia LEFT, y se mueve hacia la derecha cuando la palanca se inclina hacia RIGHT. Cuando se selecciona REVERSE, el cabezal se mueve en sentido opuesto.
- TILT:** Cuando se selecciona NORMAL, el cabezal de panorámica/inclinación se mueve hacia arriba cuando la palanca PAN/TILT se inclina hacia UP, y se mueve hacia abajo cuando la palanca se inclina hacia DOWN. Cuando se selecciona REVERSE, el cabezal se mueve en sentido opuesto.
- ZOOM:** Cuando se selecciona NORMAL, el zoom del objetivo se mueve hacia el extremo de telefoto cuando la palanca ZOOM se inclina hacia TELE, y se mueve hacia el extremo de granangular cuando la palanca se inclina hacia WIDE. Cuando se selecciona REVERSE, el zoom se mueve en sentido opuesto.
- FOCUS:** Cuando se selecciona NORMAL, el enfoque del objetivo se mueve hacia FAR cuando el dial FOCUS se gira hacia la derecha, y se mueve hacia NEAR cuando el dial se gira hacia la izquierda. Cuando se selecciona REVERSE, el enfoque del objetivo se mueve en sentido opuesto.
- IRIS:** Cuando se selecciona NORMAL, el iris del objetivo se mueve en el sentido de abertura cuando el dial IRIS se gira hacia la derecha, y en el sentido de cierre cuando el dial se gira hacia la izquierda. Cuando se selecciona REVERSE, el iris del objetivo se mueve en sentido opuesto.
- ROTATION:** Cuando se selecciona NORMAL, el cabezal de panorámica/inclinación se mueve hacia la derecha cuando se pulsa la parte superior del conmutador de control ROTATION, y hacia la izquierda cuando se presiona la parte inferior del conmutador. Cuando se selecciona REVERSE, el cabezal de panorámica/inclinación se mueve en sentido opuesto.

Ajuste SPEED WITH ZOOM POS. (OFF/1/2/3)

En OFF, la velocidad de panorámica e inclinación no cambia de acuerdo con la posición del zoom.

En 1, 2 ó 3, la panorámica y la inclinación del cabezal de panorámica/inclinación pierde velocidad según el zoom se aproxima al extremo de telefoto, siendo más fácil ajustar la posición de panorámica/inclinación, incluso en el extremo de telefoto.

Cuanto más alto sea el número seleccionado para el ajuste, más lenta será la velocidad de panorámica e inclinación, y más fácil será ajustar la posición utilizando un objetivo zoom con una relación de aumento alta.

Ajuste PRESET SPEED (1 a 25)

Durante la reproducción de datos de memoria preajustados, este elemento de menú permite que la velocidad de movimiento hacia las posiciones preajustadas pueda ajustarse en uno de 25 pasos. Cuanto más alto sea el ajuste, más rápida será la velocidad de movimiento hacia las posiciones preajustadas; y a la inversa, cuanto más bajo sea el ajuste, menor será la velocidad de movimiento.

Ajuste IRIS CONTROL (BOTH/RP400/CB400)

Cuando el panel de control remoto AW-CB400 se ha conectado al controlador AW-RP400, este elemento de menú se utiliza para establecer qué controlador va a ser utilizado para ajustar el iris del objetivo.

Con el ajuste BOTH, el iris del objetivo se puede controlar desde el AW-RP400 y el AW-CB400. Con el ajuste RP400, el iris del objetivo sólo se puede controlar desde el AW-RP400; de forma similar, con el ajuste CB400, el iris del objetivo sólo se puede controlar desde el AW-CB400.

Ajuste ROTATION SWITCH (ROTATION/FOCUS/ZOOM/IRIS)

Este elemento de menú permite que ROTATION, FOCUS, ZOOM o IRIS sea seleccionado como función a ser controlada mediante el conmutador ROTATION.

Ajustes de menús

Ajustes OPTION SWITCH A a H

(NOT USE / DEFROSTER / WIPER / HEATER/FAN / AUTO FOCUS / ND / OPTION / EXTENDER)

Las funciones siguientes se pueden asignar a los botones OPTION A a H. Se pueden asignar funciones diferentes para diferentes cabezales de panorámica/inclinación.

- NOT USE:** Botón desactivado.
- DEFROSTER:** Esto controla los estados de activación y desactivación de la función de descongelación cuando se utiliza un sistema de cabezal de panorámica/inclinación con esta función. Cada vez que se pulsa el botón se cambia de activación a desactivación o viceversa. Cuando la función de descongelación esté activada, la luz del botón al que se ha asignado esta función se encenderá; cuando la función esté desactivada, la luz se apagará.
- WIPER:** Esto controla los estados de activación y desactivación de la función de limpieza cuando se utiliza un sistema de cabezal de panorámica/inclinación con esta función. Cada vez que se pulsa el botón se cambia de activación a desactivación o viceversa. Cuando la función de limpieza esté activada, la luz del botón al que se ha asignado esta función se encenderá; cuando la función esté desactivada, la luz se apagará.
- HEATER/FAN:** Esto controla los estados de activación y desactivación de la función de calentamiento/ventilación cuando se utiliza un sistema de cabezal de panorámica/inclinación con esta función. Cada vez que se pulsa el botón se cambia de activación a desactivación o viceversa. Cuando la función de calentamiento/ventilación esté activada, la luz del botón al que se ha asignado esta función se encenderá; cuando la función esté desactivada, la luz se apagará.
- OPTION:** Esto controla los estados de cortocircuito y circuito abierto del conector OPTION CONTROL OUT del adaptador de CA cuando se utiliza un adaptador de CA para el sistema de panorámica/inclinación equipado con la función de control del conmutador OPTION. Cada vez que se pulsa el botón, el estado de cortocircuito cambia a circuito abierto o viceversa. En el estado de cortocircuito, la luz del botón al que se ha asignado la función se enciende; y en estado de circuito abierto, la luz se apaga.
- ND:** Esto controla los estados de activación y desactivación del filtro ND cuando se utiliza un filtro ND. Cada vez que se pulse el botón, la activación cambiará a desactivación o viceversa. Cuando el filtro ND esté activado, la luz del botón al que se ha asignado esta función se encenderá; y cuando esté desactivado se apagará.
- EXTENDER:** Esto controla los estados de activación y desactivación del extensor cuando se utiliza un objetivo equipado con un extensor. Cada vez que se pulsa el botón se cambia de activación a desactivación o viceversa. Cuando el extensor esté activado, la luz del botón al que se ha asignado esta función se encenderá; cuando esté desactivado, la luz se apagará.
- AF:** Esto controla los estados de activación y desactivación de la función de enfoque automático cuando se utiliza un objetivo equipado con esta función. Cada vez que se pulsa el botón se cambia de activación a desactivación o viceversa. Cuando la función de enfoque automático esté activada, la luz del botón al que se ha asignado esta función se encenderá; cuando esté desactivada, la luz se apagará.

Ajuste MEMORY LENGTH (60s/120s/300s/600s)

Este elemento de menú se utiliza para establecer el tiempo de grabación de datos de la memoria de trazado y el número de memorias.

- 60s :** 60 s × 10 memorias
- 120s :** 120 s × 5 memorias
- 300s :** 300 s × 2 memorias
- 600s :** 600 s × 1 memoria

- Cuando los datos ya han sido registrados en una memoria de trazado, el ajuste para el tiempo de grabación y el número de memorias no se puede cambiar. Para cambiar un ajuste, borre primero los datos registrados en la memoria de trazado.

Ajuste CONTROL SELECT MODE (INTERLOCK/UN-INTERLOCK)

Este elemento de menú es para seleccionar el método que se utilizará para seleccionar el cabezal de panorámica/inclinación y la cámara cuando el panel de control remoto AW-CB400 haya sido conectado al controlador AW-RP400.

- INTERLOCK:** Cuando el sistema de cabezal de panorámica/inclinación y cámara haya sido seleccionados por el AW-RP400 o AW-CB400, el mismo sistema será seleccionado también por la otra unidad.
- UN-INTERLOCK:** Se puede seleccionar un sistema diferente de cabezal de panorámica/inclinación y cámara mediante AW-RP400 y AW-CB400.

Ajustes de menús

Ajuste MONITOR SELECT

Este elemento de menú se utiliza para seleccionar el controlador utilizado para conmutar las imágenes de la salida MONITOR2 del AW-RC400 cuando el panel de control remoto AW-CB400 y un segundo AW-RP400 han sido conectados a este controlador AW-RP400 y se utiliza el compensador de cable AW-RC400.

Estableciendo el AW-RP400 maestro y el AW-RP400 esclavo, las imágenes de la cámara que han sido seleccionadas por el controlador indicado en la tabla de abajo salen como salida de monitor del AW-RC400.

Ajuste de menú del AW-RP400		AW-RC400	
Unidad maestra	Unidad esclava	MONITOR1	MONITOR2
MON2 = CB400	MONITOR2 = ajuste desactivado	RP400 maestro	CB400 maestro
MON2 = SLAVE	MONITOR2 = RP400	RP400 maestro	RP400 esclavo
	MONITOR2 = CB400	RP400 maestro	CB400 esclavo

Cuando el compensador de cable haya sido conectado al AW-RP400 esclavo, las imágenes seleccionadas por el AW-RP400 esclavo salen a MONITOR1 del AW-RP400, y las imágenes seleccionadas por el AW-CB400 esclavo salen a MONITOR2 independientemente de este ajuste.

Ajuste BUZZER (OFF/ON)

Este elemento de menú se utiliza para seleccionar ON u OFF para el zumbador del interior del controlador. El zumbador no suena con el ajuste OFF.

El zumbador suena cuando se ha pulsado el botón CALL o cuando se inicia, suspende o termina la operación de la memoria de trazado (grabar, reproducir o cambiar).

Ajuste AUTO RUN (START No., END No., INTERVAL)

Este elemento de menú permite que los preajustes del cabezal de panorámica/inclinación se repitan automáticamente.

START No. (1 a 50): Esto establece el primer número del preajuste que va a ser repetido.

END No. (1 a 50): Esto establece el último número del preajuste que va a ser repetido.

INTERVAL (1s a 30s): Esto establece el tiempo de parada en la posición preajustada. Se puede ajustar un máximo de 30 segundos en incrementos de 1 segundo para el tiempo de parada.

OPERATE (STOP/RUN): Cuando se selecciona RUN, los preajustes desde START No. a STOP No. se reproducen repetidamente; cuando se selecciona STOP, el funcionamiento se detiene. Cuando se utilice la palanca PAN/TILT, STOP se seleccionará automáticamente y el funcionamiento se detendrá.

Ajuste SD CARD

Los datos de ajustes de menús de este controlador, los datos de memorias de preajustes de los cabezales de panorámica/inclinación y los datos de ajustes de las cámaras se pueden guardar en tarjetas de memoria SD.

Si se pulsa el botón MENU mientras se visualiza STORE, los datos de ajuste se guardarán en la tarjeta de memoria SD.

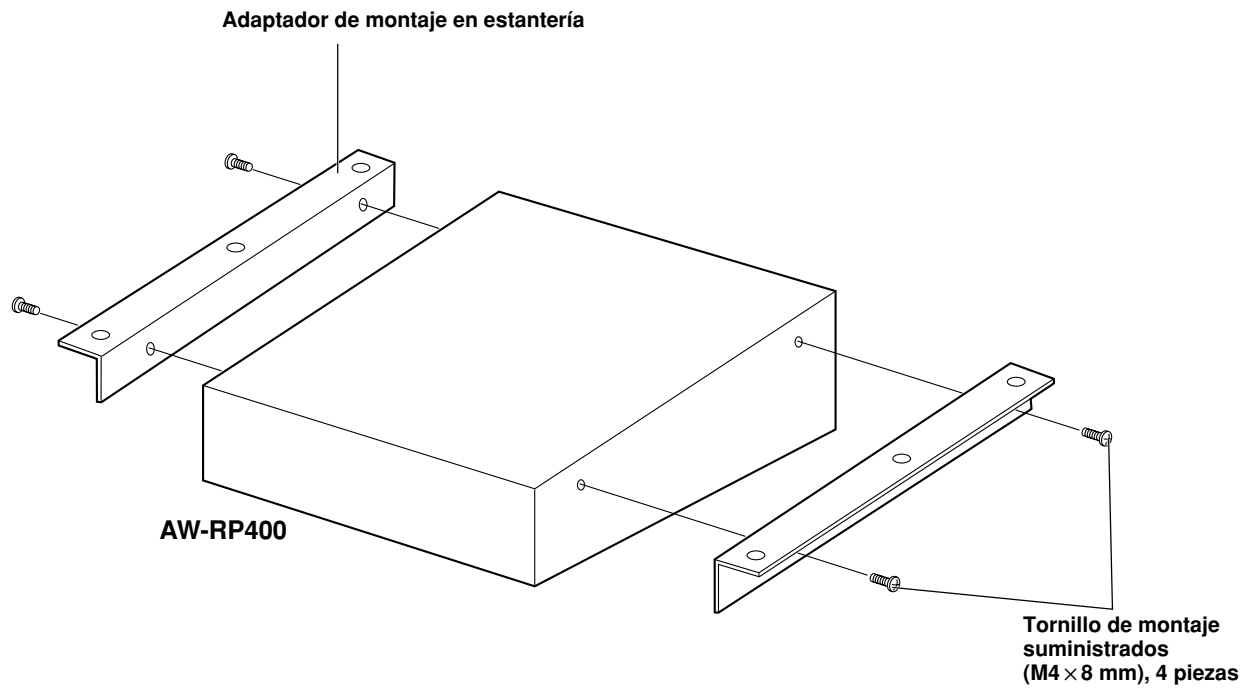
Si se pulsa el botón MENU mientras se visualiza LOAD se llamará a los datos guardados en la tarjeta de memoria SD, y los ajustes se cargarán en el controlador, cabezales de panorámica/inclinación y cámaras.

- Los datos de la memoria de trazado no se guardan.

Ejemplo de montaje en una estantería

■ Montaje del AW-RP400 en una estantería

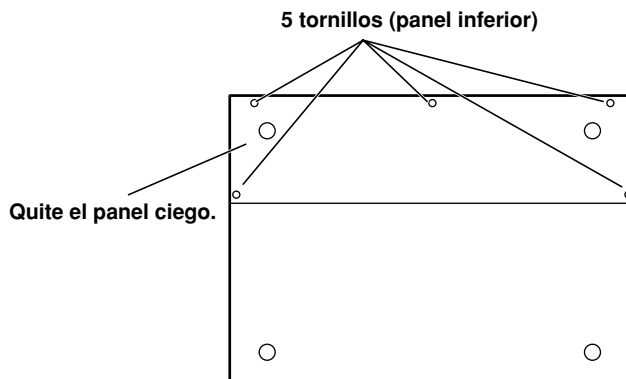
- ① Utilice los tornillos de montaje suministrados (M4 × 8 mm) para colocar los adaptadores de montaje en una estantería.



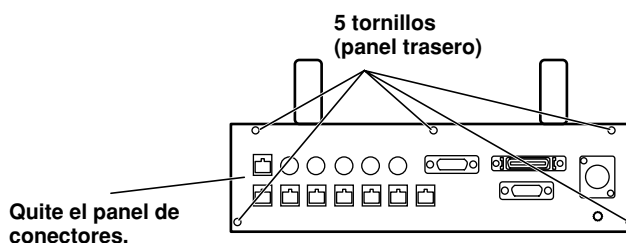
Ejemplo de montaje en una estantería

■ Cambio del sentido del panel de conectores

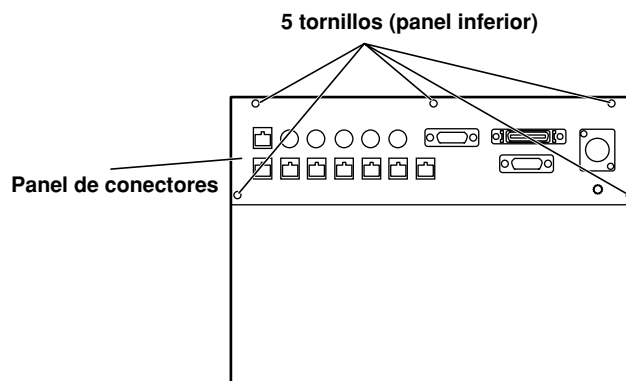
- ① Quite los cinco tornillos del panel inferior y retire el panel ciego.



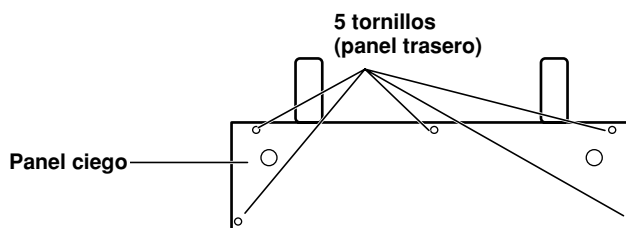
- ② Quite los cinco tornillos del panel trasero y retire el panel de conectores.



- ③ Asegure el panel de conectores en el panel inferior utilizando los tornillos.



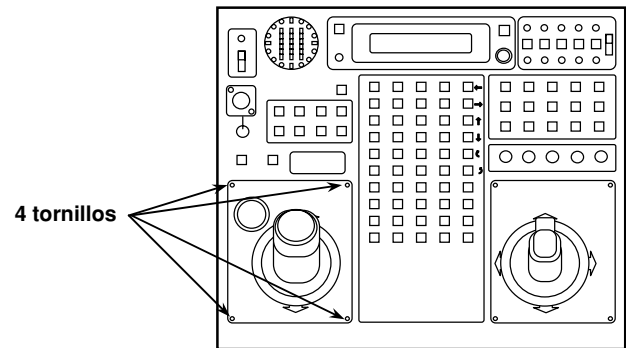
- ④ Asegure el panel ciego en el panel trasero utilizando los tornillos.



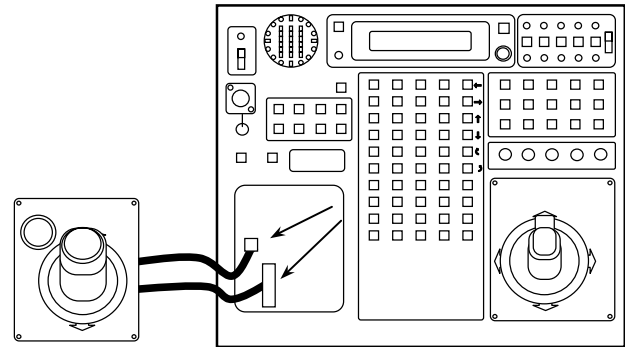
Ejemplo de montaje en una estantería

■ Cambio del conmutador del zoom

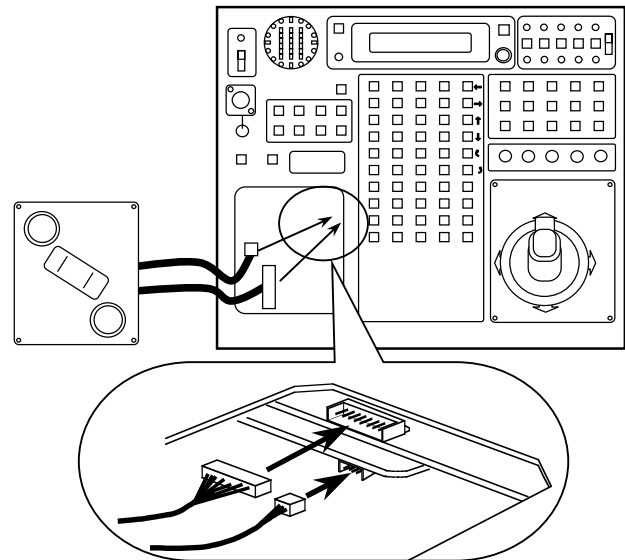
- ① Quite los cuatro tornillos que aseguran la palanca del zoom.



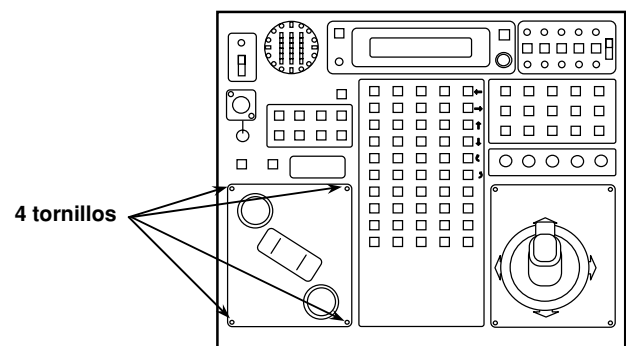
- ② Saque la palanca del zoom, desconecte los dos cables del interior de la tarjeta de circuitos y retire la palanca del zoom.



- ③ Enchufe los dos cables procedentes del conmutado del zoom en los conectores del interior de la tarjeta de circuitos.



- ④ Asegure el conmutador del zoom utilizando los cuatro tornillos.



Cambio de piezas consumibles

El mando de control y el conmutador del zoom son piezas consumibles.

Cámbielas si no funcionan correctamente.

Pida a su concesionario que haga el trabajo de cambio.

Especificaciones

Alimentación: 10,8 V CC A 16 V CC Consumo: 11 W aproximadamente
--

 indica información de seguridad.

Conectores de entrada

DC 12V IN:	XLR, 4 contactos
CONTROL IN FROM ROP:	D-SUB 15 contactos, cable suministrado con el panel de control remoto AW-CB400
CONTROL IN FROM RCB:	Conector redondo de 10 contactos, cable suministrado con la WV-CB700A
EXT CONT IN:	RJ45, entrada de señal de control de AW-RP400 adicional; cable recto 10BASE-T (UTP categoría 5), máximo de 500 metros
REMOTE:	Conector D-SUB de 50 contactos, entrada de control externo, AW-CA50T9

Conectores de salida

CONTROL OUT TO PAN/TILT HEAD:	RJ45, salida de señal de control de cabezal de panorámica/inclinación; cable recto 10BASE-T (UTP categoría 5), máximo de 500 metros
MONI SEL OUT:	RJ45, salida de señal de conmutación de monitor; cable recto 10BASE-T (UTP categoría 5), máximo de 50 metros
EXT CONT OUT:	RJ45, salida de señal de control de AW-RP400 adicional; cable recto 10BASE-T (UTP categoría 5), máximo de 500 metros

Conectores de entrada/salida

INCOM (panel superior):	XLR, 4 contactos
TALLY/INCOM:	D-SUB, 15 contactos TALLY: Entrada de contacto (No aplique una tensión superior a 5 V a este conector.) INCOM: Sistema de 4 cables

Funciones de conmutación: Conmutación maestro/esclavo, control OPERATE, posición inicial, conmutador menú/límite, operaciones de funciones opcionales, selección de cabezal de panorámica/inclinación, conmutación AUTO/MANU/LOCK del iris del objetivo, operaciones con datos de memorias de preajustes, operaciones con datos de memoria de trazado, llamada

Funciones de ajuste: Contraste de LCD, nivel INCOM, iris del objetivo, zoom, enfoque, panorámica/inclinación/giro, velocidad de zoom, velocidad de enfoque, velocidad de panorámica, velocidad de inclinación, velocidad de giro, ajustes de menú

Temperatura ambiental de funcionamiento:
-10°C a +45°C

Temperatura para guardar la unidad:
-20°C a +60°C

Humedad ambiental de funcionamiento:
30% a 90% (sin condensación)

Dimensiones (An x Al x Prof): 320 x 85 x 266 mm

Peso: ?? kg aproximadamente

Acabado: Color parecido a Munsell 3.5

El peso y las dimensiones indicados arriba son aproximados.
Las especificaciones están sujetas a cambios sin previo aviso.

Introducción

- El AW-RC400 puede proporcionar compensación de cable de hasta 500 metros (cuando se utiliza el cable de conexión 5C-2V u otro equivalente) para señales compuestas analógicas, Y/C analógicas o componentes analógicas.
- Dispone de la función avanzada 5us para las señales de sincronización, para proporcionar un apoyo fácil a un sistema (se requiere otro compensador de cable) en el que el cable coaxial conectado entre este compensador de cable AW-RC400 y la cámara tenga una longitud superior a 500 metros.

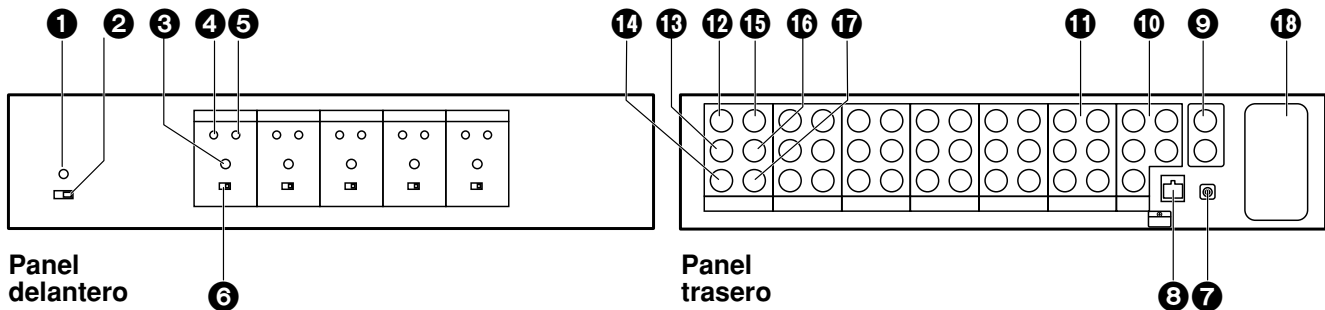
NOTA

- Introduce señales de sincronización al conector de entrada de señales de sincronización del compensador de cable AW-RC400 o señales de vídeo de entrada a uno de los canales de vídeo (señales compuestas de entrada o señales Y con sincronización con el conector de entrada de vídeo 1). Si no se introduce ninguna de estas señales, la selección del monitor no se controlará.
- El controlador AW-RP400 proporciona compensación de cable para los tres canales de señales Y, Pr y Pb mediante un solo control. Esto significa que las señales Y, Pr y Pb no se pueden ajustar separadamente. De igual forma, las señales Y y C no se pueden ajustar separadamente.
- El AW-RC400 es un compensador de cable y, como tal, no dispone de funciones de conversión de señales (para convertir señales componentes en señales compuestas, por ejemplo).
- Cuando el compensador de cable vaya a tirarse al final de su vida de servicio, pida a un contratista especializado que disponga de él apropiadamente para proteger el medio ambiente.

Accesorios

Adaptadores de montaje en estantería	2
Tornillos de montaje (M4 × 8 mm)	4

Partes y sus funciones



1 LED de la alimentación

Se enciende en verde cuando el interruptor POWER (2) se pone en ON mientras se suministra una tensión de 12 V CC al zócalo DC 12V IN (7).

2 Interruptor POWER

Ponga este interruptor de la alimentación en ON para conectar la alimentación del compensador de cable. Parte del circuito de alimentación aún funcionará aunque el interruptor de la alimentación se ponga en la posición OFF. Para desconectar completamente la alimentación, desconecte el adaptador de CA.

3 Conmutadores de ajuste de la longitud del cable [0 a 5]

Ajuste estos conmutadores según la longitud del cable coaxial conectado. [0] se utiliza para proporcionar la compensación de cable mínima y [5] para proporcionar la compensación de cable máxima. Como regla general, utilice el ajuste [1] si el cable coaxial tiene menos de 100 metros y [2] si tiene 200 metros.

4 Control Y LEVEL

Utilice este control para ajustar el nivel de salida de las señales de salida de compensación de cable (salida de vídeo).

5 Control F RESPONSE

Utilice este control para ajustar la cantidad de compensación de cable (compensación de respuesta de frecuencia) para las señales de salida de compensación de cable.

6 Conmutador selector SHORT/LONG

Este conmutador se pone normalmente en la posición SHORT. Póngalo en LONG si el cable coaxial de la cámara es largo y si el margen de ajuste de sincronización de la cámara no es suficiente, o si el compensador de cable se utiliza como una parte de un sistema (se necesita otro compensador de cable) en el que el cable coaxial (5C-2V o equivalente) conectado a la cámara tiene más de 500 metros.

7 Zócalo DC 12V IN

Éste es el zócalo de entrada de alimentación. Conecte aquí el adaptador de CA AW-PS301 (vendido separadamente).

8 Conector MONI SEL IN

Las señales de control para seleccionar la salida de señales de vídeo al conector MONITOR1 ó 2 se suministran a este conector. Conecte este conector al conector MONI SEL OUT del controlador de cabezales de panorámica/inclinación AW-RP400 utilizando un cable recto 10BASE-T (equivalente a UTP categoría 5). Luego es posible dar salida al conector MONITOR1 o MONITOR2 a las señales de vídeo de la cámara seleccionada por el AW-RP400 o el panel de control remoto AW-CB400 que está conectado al AW-RP400.

9 Conectores G/L IN

Las señales de sincronización (señales de sincronización cromática) se introducen aquí. Estos conectores terminan automáticamente en el interior mediante una resistencia de 75 ohmios. Los conectores superior e inferior tienen las mismas especificaciones, y las señales pueden conectarse a ambos. La terminación se cancela si se conectan cables BNC a ambos conectores de entrada (cuando se utilizan en una configuración de bucle pasante).

10 Conectores G/L OUT [1 a 5]

Las señales de intersincronizador suministradas al conector G/L IN se pueden distribuir y dar salida a cinco cámaras.

Utilice las salidas de señal de sincronización 1 a 5 correspondientes a los canales de señales de vídeo 1 a 5.

Las señales del conector 1 de salida de señales de sincronización se suministran a la cámara conectada al conector 1 de entrada de vídeo.

Partes y sus funciones

11 Conectores MONITOR 1 y 2

Las señales de vídeo de las cámaras seleccionadas por el controlador de cabezales de panorámica/inclinación AW-RP400 o el panel de control remoto AW-CB400 que está conectado al AW-RP400 salen por estos conectores.

Las señales de salida son señales de compensación de cable del mismo tipo que las señales de entrada. Por ejemplo, si se selecciona un canal en el que se han introducido señales compuestas, estas señales compuestas serán señales de compensación de cable y saldrán.

12 Conectores Y/VIDEO IN [1 a 5]

Las señales de vídeo analógicas se introducen en estos conectores. Las señales son terminadas internamente mediante una resistencia de 75 ohmios. Se suministran señales Y (señales componentes o Y de las señales Y/C con sincronización) o VIDEO (señales compuestas).

13 Conectores Pr/C IN [1 a 5]

Las señales de vídeo analógicas se introducen en estos conectores. Las señales son terminadas internamente mediante una resistencia de 75 ohmios. Se suministran señales Pr (R-Y entre las señales componentes) o C (C de las señales Y/C).

14 Conectores Pb IN [1 a 5]

Las señales de vídeo analógicas se introducen en estos conectores. Las señales son terminadas internamente mediante una resistencia de 75 ohmios. Se suministran señales Pb (B-Y entre las señales componentes).

15 Conectores Y/VIDEO OUT [1 a 5]

Las señales de vídeo analógicas salen por estos conectores. Salen señales Y o VIDEO de compensación de cable (señales compuestas) que concuerdan con las señales de entrada. Las señales Y salen si las señales Y componentes han sido introducidas en los conectores Y/VIDEO IN [1 a 5], y las señales compuestas salen si se han introducido señales compuestas.

16 Conectores Pr/C OUT [1 a 5]

Las señales de vídeo analógicas salen por estos conectores. Salen señales Pr o C de compensación de cable que concuerdan con las señales de entrada. Las señales Pr salen si se han introducido señales Pr en los conectores Pr/CIN [1 a 5], y las señales C salen si se han introducido señales C.

17 Conectores Pb OUT [1 a 5]

Las señales de vídeo analógicas salen por estos conectores. Si han sido introducidas señales Pb en los conectores Pb IN [1 a 5] salen señales Pb de compensación de cable.

18 Espacio para guardar el adaptador de CA

El adaptador de CA se puede guardar aquí cuando la temperatura ambiental en el lugar donde se ha instalado el compensador de cable es inferior a 30°C. Quite los dos tornillos y retire la tapa del espacio. Saque el adaptador de CA AW-PS301 y guárdelo en otro sitio mientras se asegura que el cable no quede sometido a ningún esfuerzo. Si la temperatura ambiental supera los 30°C pueden producirse problemas con el adaptador de CA. En este caso el adaptador no deberá guardarse en este espacio.

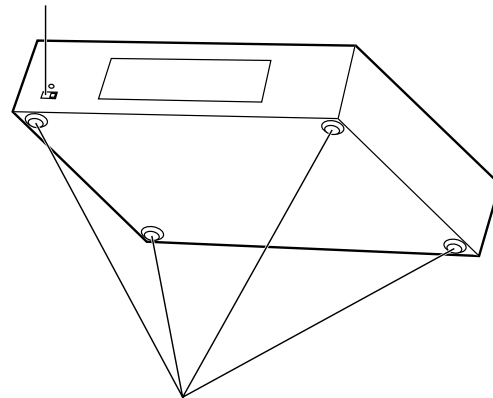
Ejemplo de montaje en una estantería

■ Montaje del AW-RC400 en una estantería

Utilice los adaptadores de montaje en estantería suministrados y los tornillos de montaje suministrados (M4 × 8 mm) para montar la unidad en una estantería.

- ① Pulse el interruptor POWER para desconectar la alimentación.
- ② Quite las cuatro patas de la parte inferior de la unidad.

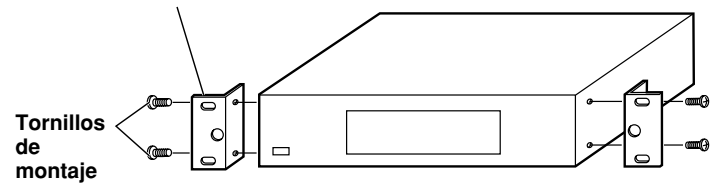
Interruptor POWER



Quite las cuatro patas.

- ③ Ponga los adaptadores de montaje en estantería en ambos extremos de la unidad y fíjelos utilizando cuatro tornillos de montaje.

Adaptador de montaje en estantería



Tornillos de montaje

Especificaciones

Alimentación: 10,8 V CC A 16 V CC

Consumo: 9 W aproximadamente

 indica información de seguridad.

Conectores de entrada

DC 12V IN:	Para conectar el adaptador de CA suministrado (AW-PS301)
G/L IN:	BNC × 2, terminación automática mediante resistencia de 75 ohmios, salida de bucle pasante, sincronización cromática del negro
VIDEO/Y, Pr/C, Pb:	BNC × 3 (5 juegos), terminación de 75 ohmios Compuesto 1 Vp-p Y/C Y: 1 Vp-p (con sincronización) C: 0,286 V (sincronización cromática) Componente Y: 1 Vp-p (con sincronización) Pr, Pb: 0,7 Vp-p
MONI SEL IN:	RJ45 Cable de conexión: Cable recto 10BASE-T (UTP categoría 5), máximo de 50 metros

Conectores de salida

G/L OUT:	BNC × 5, salida de 75 ohmios, cable de conexión 5C-2V, máximo de 1.000 metros
VIDEO/Y, Pr/C, Pb:	BNC × 3 (5 juegos), salida de 75 ohmios Compuesto 1 Vp-p Y/C Y: 1 Vp-p (con sincronización) C: 0,286 V (sincronización cromática) Componente Y: 1 Vp-p (con sincronización) Pr, Pb: 0,7 Vp-p (Se requiere ajuste de compensación de cable)
MONITOR OUT1/2:	BNC × 3 (2 juegos), salida de 75 ohmios

Conmutación y funciones de ajuste:

Conexión/desconexión de la alimentación; ajuste de longitud de cable 0/1/2/3/4/5; ajuste de señal de sincronización SHORT/LONG; ajuste de cantidad de compensación de cable; ajuste de nivel de vídeo

Temperatura ambiental de funcionamiento:

0°C a +40°C

Temperatura para guardar la unidad:

-20°C a +60°C

Humedad ambiental de funcionamiento:

30% a 90% (sin condensación)

Dimensiones (An × Al × Prof): 420 × 250 × 88 mm

Peso: 3,7 kg aproximadamente

Acabado: Marfil AV (color parecido a Munsell 7.9Y6.8/0.8)

El peso y las dimensiones indicados arriba son aproximados.
Las especificaciones están sujetas a cambios sin previo aviso.

Introducción

- La unidad de giro AW-RL400 permite que la cámara gire cuando se utiliza en combinación con el cabezal de panorámica/inclinación interior AW-PH400.

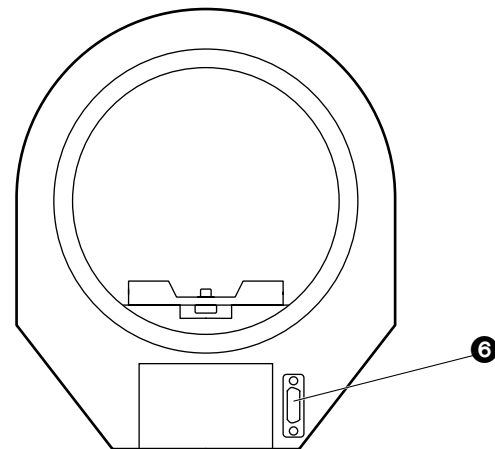
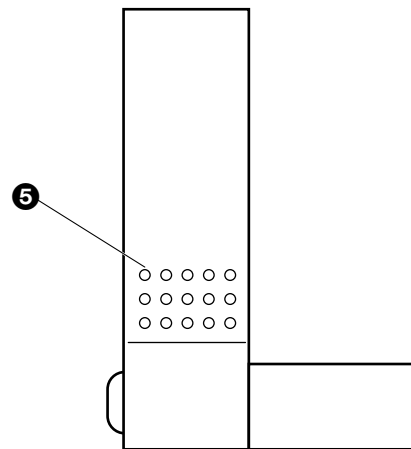
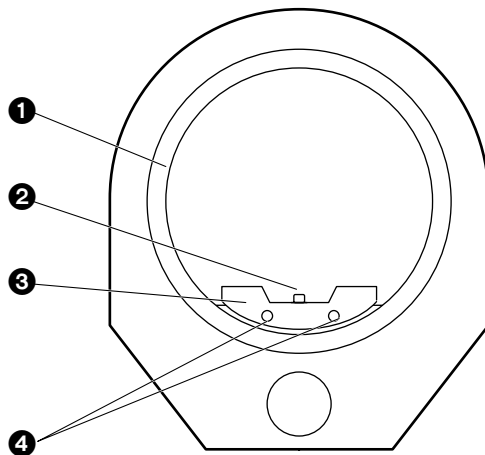
NOTA

- Como la unidad de giro hace que la cámara gire, el usuario deberá asegurarse de que no haya ningún cable como, por ejemplo, el de la cámara o el del objetivo que se enrede al utilizar la unidad de giro.
- Cuando la unidad de giro vaya a tirarse al final de su vida de servicio, pida a un contratista especializado que disponga de ella apropiadamente para proteger el medio ambiente.

Accesorios

Cable de conexión del cabezal de panorámica/inclinación	1
Tornillos de montaje (M4 × 8 mm)	3

Partes y sus funciones



1 Anillo giratorio

2 Tornillo de montaje de la cámara (U1/4"-20UNC)

Después de montar la cámara, asegúrela firmemente utilizando este tornillo.

3 Placa de montaje de la cámara

Monte la cámara en esta placa utilizando los tornillos de montaje de la cámara.

4 Tornillos de anclaje de la placa de montaje de la cámara

Después de montar la cámara en la placa de montaje de la cámara, fíjela a la unidad de giro con estos tornillos.

5 Agujeros para tornillos de anclaje de la unidad de giro

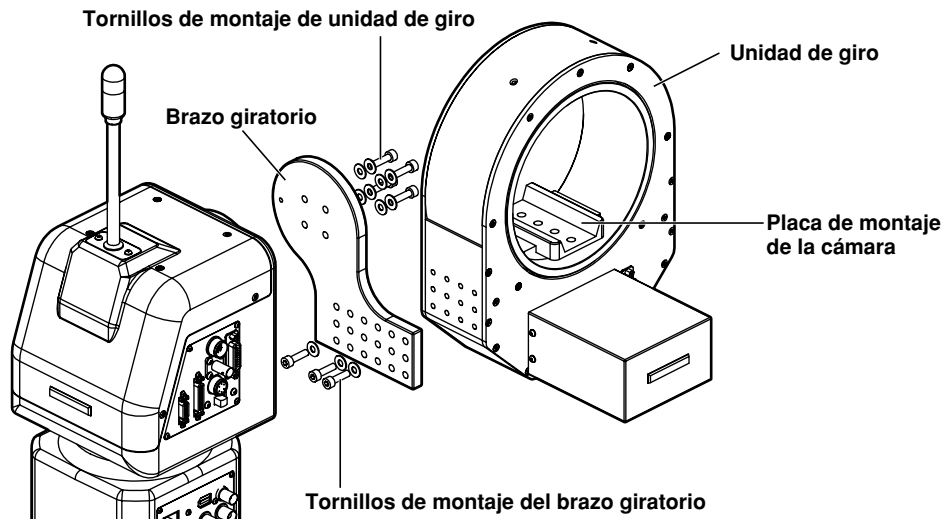
Aquí es donde la unidad de giro se asegura al brazo de giro del cabezal de panorámica/inclinación.

6 Conector de cabezal de panorámica/inclinación

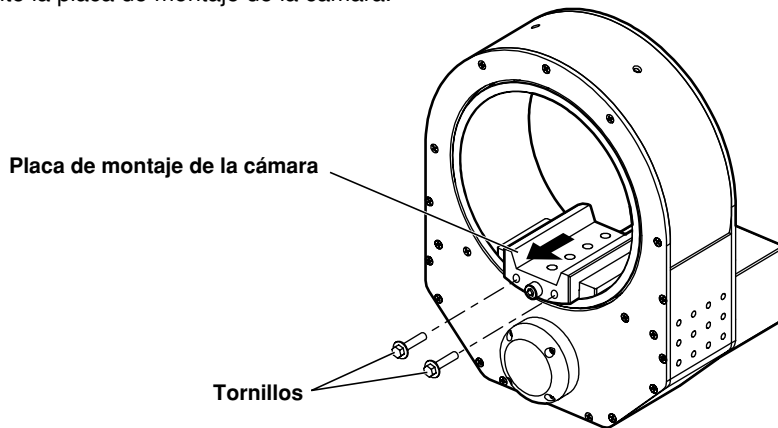
Conecte este conector al conector OPTION del cabezal de panorámica/inclinación utilizando el cable de conexión de cabezal de panorámica/inclinación suministrado.

Instalación

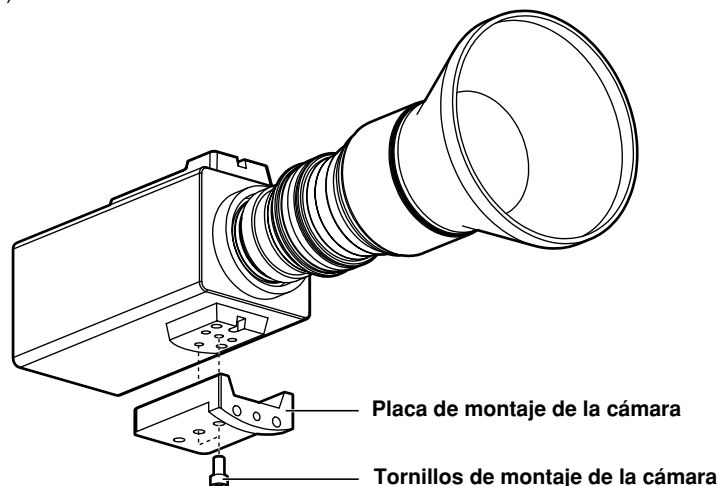
- ① Coloque el brazo giratorio del cabezal de panorámica/inclinación en la unidad de giro utilizando los tres tornillos suministrados (M4 × 8 mm, con arandelas planas).
- ② Coloque el brazo giratorio en el cabezal de panorámica/inclinación utilizando los tornillos de montaje del brazo giratorio (M5 × 20 mm, con arandelas planas, accesorios de cabezal de panorámica/inclinación).



- ③ Afloje los dos tornillos de la placa de montaje de la cámara que ya están instalados en la unidad de giro. Luego quite la placa de montaje de la cámara.

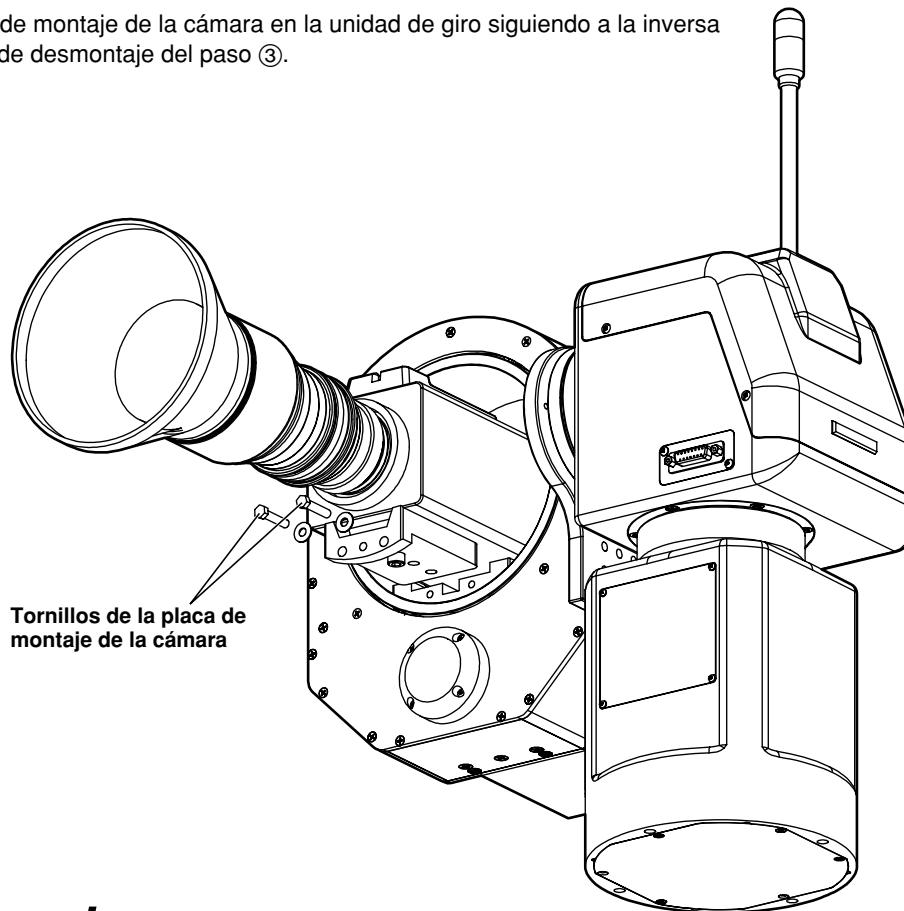


- ④ Coloque la placa de montaje de la cámara (fue retirada en el paso ③) en la cámara utilizando dos tornillos de montaje de cámara (accesorios de cámara).



Instalación

- ⑤ Coloque la placa de montaje de la cámara en la unidad de giro siguiendo a la inversa el procedimiento de desmontaje del paso ③.



Especificaciones

Alimentación: 24 V CC
Consumo: 24 W aproximadamente

 indica información de seguridad.

Conector de cabezal de panorámica/inclinación:

Conectado al cabezal de panorámica/inclinación utilizando el cable suministrado

Rendimiento:

Capacidad de aguante de carga máxima: 4 kg

Alcance de giro: 380 grados (± 190 grados aproximadamente)

Velocidad de operación máxima: 60 grados/segundos

Repetibilidad: Menos de ± 1 grado

Nivel de ruido: Menos de ???

Temperatura ambiental de funcionamiento:

0°C a +40°C

Temperatura para guardar la unidad:

-20°C a +60°C

Humedad ambiental de funcionamiento:

30% a 90% (sin condensación)

Dimensiones (An x Al x Prof): 205 x 198 x 260 mm

Peso: 3,9 kg aproximadamente

Acabado: Marfil AV (color parecido a Munsell 7.9Y6.8/0.8)

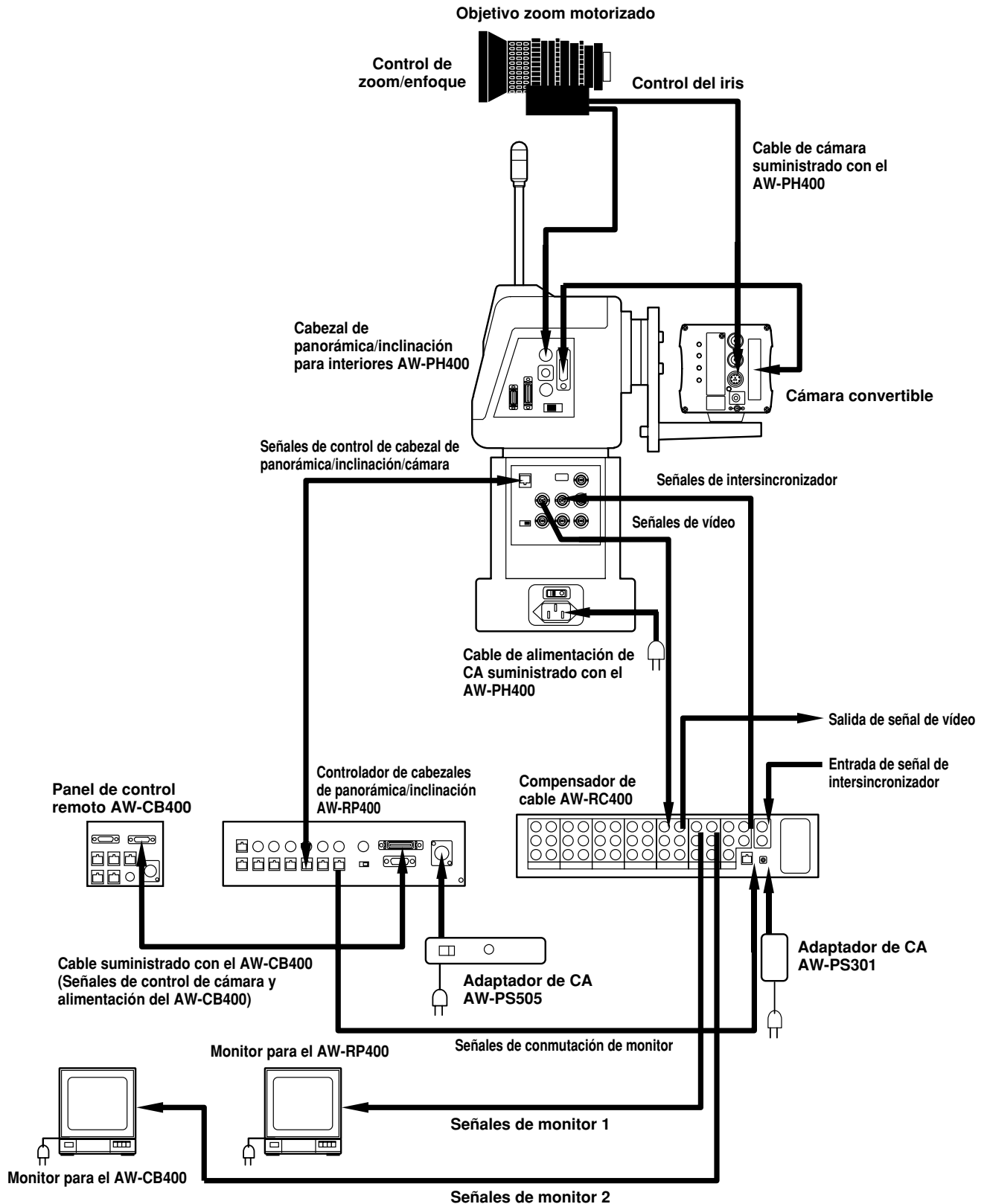
El peso y las dimensiones indicados arriba son aproximados.

Las especificaciones están sujetas a cambios sin previo aviso.

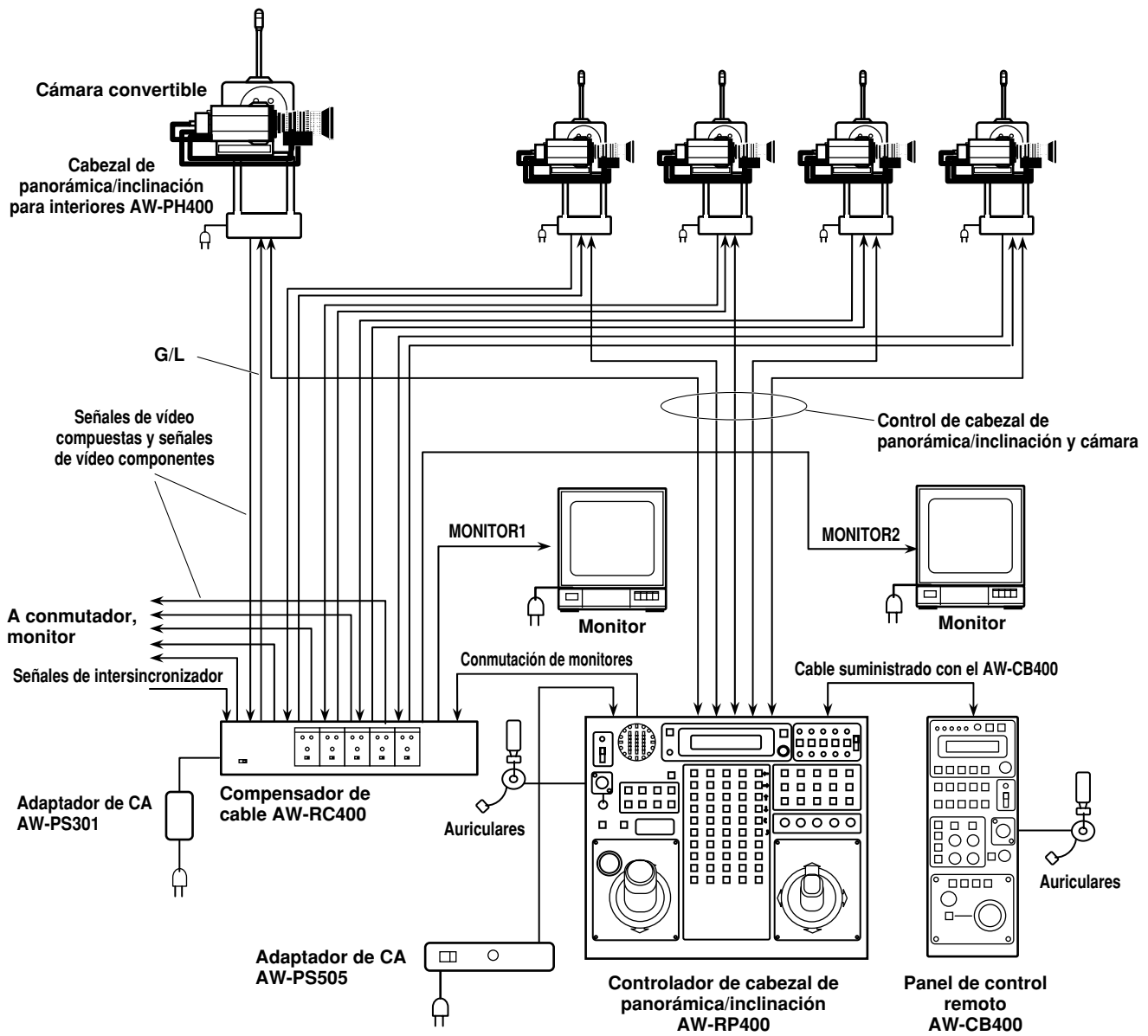
Conexiones

- Desconecte la alimentación de todos los equipos antes de empezar a hacer las conexiones.
- Utilice el AW-PS505 como adaptador de CA para el controlador de cabezales de panorámica/inclinación AW-RP400. Utilice el cable de CC suministrado con el AW-PS505 para conectar el zócalo DC 12V IN del AW-RP400 al zócalo DC 12V OUT del AW-PS505.
- Conecte el cable de alimentación de CA suministrado con el cabezal de panorámica/inclinación AW-PH400.
- Utilice el adaptador de CA suministrado con el compensador de cable AW-RC400.
- Utilice cables rectos 10BASE-T para conectar los conectores IP/RP de los cabezales de panorámica/inclinación a los conectores CONTROL OUT TO PAN/TILT HEAD (1 a 5) del AW-RP400. La distancia de extensión máxima es de 500 metros cuando se utilizan cables UTP de categoría 5 o sus equivalentes.
- Utilice los cables de cámara suministrados con el cabezal de panorámica/inclinación para conectar el AW-PH400 a la cámara convertible. Con el cabezal de panorámica/inclinación se suministra un cable para las señales compuestas/componentes, un cable para tarjetas IEEE1394 y un cable para las tarjetas WEB. Seleccione el cable de cámara adecuado a la aplicación planeada.
- Conecte el cable de control del iris del objetivo zoom motorizado al conector IRIS de la cámara, y conecte el cable de zoom/enfoque al conector LENS I/F del cabezal de panorámica/inclinación.
- Utilice el panel de control remoto AW-CB400 o la caja de control remoto WV-CB700A para controlar la cámara. El AW-CB400 y la WV-CB700A no se pueden utilizar juntos.
- Cuando utilice el AW-CB400, utilice el cable (10 m) suministrado con el AW-CB400 para conectar el conector CAMERA CONTROL IN FROM RCP del AW-RP400 al conector I/F CONNECTOR del AW-CB400. Desde el AW-CB400 se pueden controlar cinco cámaras. La alimentación se suministra a través de este cable desde el AW-RP400 al AW-CB400, por lo que el adaptador de CA no necesita ser conectado al AW-CB400.
- Cuando utilice la WV-CB700A, utilice los cables RCB (2 m) suministrados con la WV-CB700A para conectar los conectores CAMERA CONTROL IN FROM RCB (1 a 5) del AW-RP400 a los conectores RCB de la WV-CB700A. Desde la WV-CB700A sólo se puede controlar una cámara. Si se utilizan múltiples cámaras se necesitará una WV-CB700A para cada cámara. También será necesario alinear el número de los conectores CONTROL OUT TO PAN/TILT HEAD conectados a las cámaras que van a ser controladas con los conectores CAMERA CONTROL IN FROM RCB utilizados para conectar la WV-CB700A.
- Utilice el cable recto 10BASE-T para conectar el conector MONI SEL OUT del AW-RP400 al conector MONI SEL IN del AW-RC400. La distancia de extensión máxima es de 50 metros cuando se utiliza un cable UTP categoría 5 o su equivalente. Conectando estos conectores MONI SEL, las señales de vídeo de la cámara seleccionada por el AW-RP400 pueden salir por el conector MONITOR1, y las señales de vídeo de la cámara seleccionada por el AW-CB400 pueden salir por el MONITOR2. Cuando se utilice la WV-CB700A, MONITOR 2 no podrá conmutarse.
- Utilice un cable coaxial para conectar el AW-RC400 y el AW-PH400.
- Suministre las señales de intersincronizador desde una unidad como, por ejemplo, un generador de señales al conector G/L IN del AW-RC400, y conecte los conectores G/L OUT (1 a 5) del AW-RC400 a los conectores G/L IN de los cabezales de panorámica/inclinación.
- Cuando utilice señales compuestas, conecte los conectores VIDEO de los cabezales de panorámica/inclinación y los conectores Y/VIDEO (1 a 5) del AW-RC400.
- Conecte también los conectores Y/VIDEO OUT del AW-RC400 a conmutadores y monitores.
- Cuando utilice señales Y/C, conecte respectivamente los conectores Y y los conectores Pr/C de los cabezales de panorámica/inclinación a los conectores Y/VIDEO y a los conectores Pr/C del AW-RC400. Conecte también los conectores Y/VIDEO OUT y los conectores Pr/C del AW-RC400 a conmutadores y monitores.
- Cuando se utilicen señales componentes, conecte respectivamente el conector Y, el conector Pr/C y el conector Pb del cabezal de panorámica/inclinación al conector Y/VIDEO, al conector Pr/C y al conector Pb del compensador de cable. Conecte también los conectores Y/VIDEO OUT, los conectores Pr/C y los conectores Pb del AW-RC400 a conmutadores y monitores.

Conexiones



Ejemplo de configuración del sistema



Procedimientos de operación

■ Conexión de la alimentación

- ① Cuando se utilice un AW-RP400, ponga su conmutador EXT COM [M/S] en la posición [M].
- ② Conecte la alimentación.
Primero ponga el interruptor de la alimentación del adaptador de CA para el AW-RP400 y el interruptor de alimentación de CA del AW-PH400 en ON, y luego ponga el interruptor OPERATE del AW-RP400 en ON.

■ Ajustes de los márgenes de movimiento (limitadores) del cabezal de panorámica/inclinación para interiores AW-PH400

Si hay algún objeto cerca que obstruya el movimiento del cabezal de panorámica/inclinación para interiores AW-PH400, establezca el margen de movimiento (limitadores: límites de giro hacia la derecha, izquierda, arriba y abajo). Cuando la unidad de giro AW-RL400 esté conectada al AW-RP400, establezca también los límites de movimiento (hacia la derecha y hacia la izquierda) de la unidad de giro.
Establezca sin falta estos límites antes de utilizar estas unidades.

- Cuando sale de fábrica, el AW-PH400 está preparado para ser instalado en un soporte o en una base. Si va a suspenderse del techo, el conmutador de sección de montaje deberá ajustarse sin falta. Si este ajuste no se hace correctamente, el sentido de las operaciones del cabezal de panorámica/inclinación se invertirá, y los ajustes del margen de movimiento (limitador) del cabezal de panorámica/inclinación no se guardarán en la memoria correctamente. Para conocer detalles de los métodos de ajuste y aspectos relacionados, consulte "Ajuste del conmutador de sentido de montaje" en las instrucciones de funcionamiento del AW-PH400.

Prosiga ahora con los ajustes del controlador de cabezales de panorámica/inclinación AW-RP400.

- ① Utilice los botones CONTROL SELECT para seleccionar el cabezal de panorámica/inclinación cuyos márgenes de movimiento (limitadores) vaya a establecer.
- ② Para establecer el límite izquierdo, utilice la palanca PAN/TILT para girar el cabezal de panorámica/inclinación hasta el límite izquierdo que vaya a establecer.
Mientras mantiene pulsado el botón MENU/LIMIT, pulse el botón PRESET MEMORY [5].
Una vez establecido el límite, la luz del botón PRESET MEMORY [45] se encenderá.
Para cancelar el ajuste, pulse de nuevo el botón PRESET MEMORY [5] mientras mantiene pulsado el botón MENU/LIMIT.
Una vez cancelado el ajuste, la luz del botón PRESET MEMORY [50] se encenderá.
- ③ Para establecer el límite derecho, utilice la palanca PAN/TILT para girar el cabezal de panorámica/inclinación hasta el límite derecho que vaya a establecer.
Mientras mantiene pulsado el botón MENU/LIMIT, pulse el botón PRESET MEMORY [10].
Una vez establecido el límite, la luz del botón PRESET MEMORY [45] se encenderá.
Para cancelar el ajuste, pulse de nuevo el botón PRESET MEMORY [10] mientras mantiene pulsado el botón MENU/LIMIT.
Una vez cancelado el ajuste, la luz del botón PRESET MEMORY [50] se encenderá.
- ④ Para establecer el límite superior, utilice la palanca PAN/TILT para girar el cabezal de panorámica/inclinación hasta el límite superior que vaya a establecer.
Mientras mantiene pulsado el botón MENU/LIMIT, pulse el botón PRESET MEMORY [15].
Una vez establecido el límite, la luz del botón PRESET MEMORY [45] se encenderá.
Para cancelar el ajuste, pulse de nuevo el botón PRESET MEMORY [15] mientras mantiene pulsado el botón MENU/LIMIT.
Una vez cancelado el ajuste, la luz del botón PRESET MEMORY [50] se encenderá.
- ⑤ Para establecer el límite inferior, utilice la palanca PAN/TILT para girar el cabezal de panorámica/inclinación hasta el límite inferior que vaya a establecer.
Mientras mantiene pulsado el botón MENU/LIMIT, pulse el botón PRESET MEMORY [20].
Una vez establecido el límite, la luz del botón PRESET MEMORY [45] se encenderá.
Para cancelar el ajuste, pulse de nuevo el botón PRESET MEMORY [20] mientras mantiene pulsado el botón MENU/LIMIT.
Una vez cancelado el ajuste, la luz del botón PRESET MEMORY [50] se encenderá.

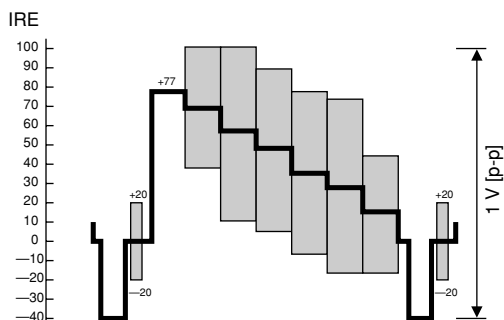
Procedimientos de operación

- ⑥ Para establecer el límite de giro hacia la izquierda de la unidad de giro, utilice el conmutador ROTATION para girar la unidad de giro hasta el límite de giro hacia la izquierda que vaya a establecer.
Mientras mantiene pulsado el botón MENU/LIMIT, pulse el botón PRESET MEMORY [25].
Una vez establecido el límite, la luz del botón PRESET MEMORY [45] se encenderá.
Para cancelar el ajuste, pulse de nuevo el botón PRESET MEMORY [25] mientras mantiene pulsado el botón MENU/LIMIT.
Una vez cancelado el ajuste, la luz del botón PRESET MEMORY [50] se encenderá.
- ⑦ Para establecer el límite de giro hacia la derecha de la unidad de giro, utilice el conmutador ROTATION para girar la unidad de giro hasta el límite de giro hacia la derecha que vaya a establecer.
Mientras mantiene pulsado el botón MENU/LIMIT, pulse el botón PRESET MEMORY [30].
Una vez establecido el límite, la luz del botón PRESET MEMORY [45] se encenderá.
Para cancelar el ajuste, pulse de nuevo el botón PRESET MEMORY [30] mientras mantiene pulsado el botón MENU/LIMIT.
Una vez cancelado el ajuste, la luz del botón PRESET MEMORY [50] se encenderá.

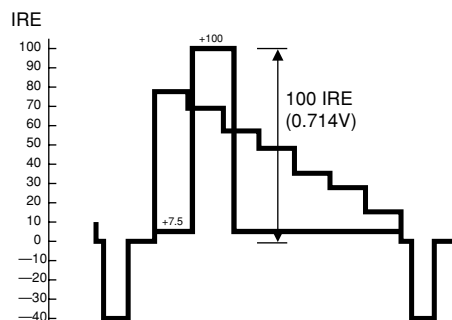
■ Compensación de cable para las cámaras

Haga estos ajustes utilizando el compensador de cable AW-RC400.

- ① Conecte un monitor de forma de onda al conector de salida de vídeo del AW-RC400, y ajuste las señales suministradas al conector de entrada de vídeo correspondiente a las señales de franja cromática.
- ② Ponga el monitor de forma de onda en el régimen H (consulte la figura de abajo), y mientras monitorea las secciones de subida y caída de las formas de onda, ponga el conmutador de ajuste de longitud del cable en el punto donde el subimpulso y el sobreimpulso se mantienen al mínimo.
Ahora mantenga el control Y LEVEL y el control F RESPONSE en sus posiciones centrales.
- ③ Gire el control F RESPONSE y ajuste de forma que el subimpulso y el sobreimpulso de las formas de onda en las secciones de subida y caída se mantengan al mínimo. Si el margen de ajuste del control se sobrepasa, vea si se puede seleccionar otro ajuste para el conmutador de ajuste de longitud del cable.
- ④ A continuación, utilice el control Y LEVEL para obtener el nivel de vídeo recomendado.
- ⑤ Con las señales componentes, mientras observa la señal Y en el monitor de forma de onda de igual forma que con las señales compuestas, utilice el conmutador de ajuste de longitud del cable, el control F RESPONSE y el control Y LEVEL para ajustar la compensación del cable de forma que se obtengan las señales de vídeo recomendadas.
- ⑥ A continuación, vea las señales Y, Pr y Pb en su totalidad, y reajuste el control F RESPONSE y el control Y LEVEL de tal forma que se provea la compensación de cable óptima.
- ⑦ También con las señales Y/C, ajuste primero la señal Y de igual forma que las señales componentes, viendo ambas señales Y y C, y ajuste de tal forma que se provea la compensación de cable óptima.



Monitor de forma de onda
(señales compuestas)



Monitor de forma de onda
(señales componentes)

Procedimientos de operación

■ Ajustes de intersincronizador para las cámaras respectivas

Para conocer detalles de los ajustes de intersincronizador, consulte las instrucciones de funcionamiento del panel de control remoto AW-CB400 o de la caja de control remoto WV-CB700A.

■ Ajustes de vídeo para las cámaras

Ajuste el pedestal total (nivel del negro), el balance del blanco, el balance del negro, etc., de las cámaras. Para conocer detalles de los ajustes de las cámaras, consulte las instrucciones de funcionamiento del panel de control remoto AW-CB400 o de la caja de control remoto WV-CB700A.

■ Ajustes de la memoria de trazado

Haga estos ajustes en el controlador del cabezal de panorámica/inclinación AW-RP400.

El AW-RP400 dispone de una función de memoria de trazado para registrar las trayectorias por las que se mueven los sistemas de cabezales de panorámica/inclinación. Utilizando esta función se pueden registrar los datos en los botones TRACING MEMORY 1 a 10.

Ajuste del tiempo de grabación y número de memorias

- 1 Seleccione primero el sistema de cabezal de panorámica/inclinación utilizando los botones CONTROL SELECT.
- 2 Ajuste el tiempo de grabación en la memoria de trazado y el número de memorias utilizando el ajuste de menú TR MEMORY LENGTH.

DURACIÓN DE MEMORIA	Ajuste
60s	60 s × 10 memorias (botones 1 a 10)
120s	120 s × 5 memorias (botones 1 a 5)
300s	300 s × 2 memorias (botones 1 y 2)
600s	600 s × 1 memoria (botón 1)

- Si ya se han registrado datos en la memoria de trazado no será posible ajustar TR MEMORY LENGTH. Antes de seleccionar un ajuste diferente, borre los datos registrados en la memoria de trazado y luego realice el ajuste.
 - El tiempo de grabación y el número de memorias no se pueden cambiar en cada botón en el que se encuentren registrados.
- 3 Seleccione los otros sistemas de cabezales de panorámica/inclinación utilizando los botones CONTROL SELECT, y ajuste el tiempo de grabación y el número de memorias de cada sistema de cabezal de panorámica/inclinación.

Registro de datos de memorias de trazado

- 1 Seleccione el sistema de cabezal de panorámica/inclinación utilizando uno de los botones CONTROL SELECT. Cuando utilice el AW-CB400 para controlar la cámara, seleccione el mismo número para el AW-CB400.
- 2 Establezca los estados del cabezal de panorámica/inclinación y de la cámara en el punto de inicio de la memoria de trazado.
 - Decida el ángulo de visión y el enfoque utilizando los controles PAN, TILT, ZOOM y FOCUS.
 - Seleccione el iris automático, el iris manual o el bloqueo manual utilizando el botón IRIS [AUTO/MANUAL/LOCK].
 - Si se selecciona el iris manual, ajuste el iris con el control IRIS.
 - Ajuste el nivel del negro, el balance del negro y el balance del blanco utilizando el controlador de la cámara.

Procedimientos de operación

- ③ Pulse el botón START POINT.
Las luces de los botones TRACING MEMORY 1 a 10 donde están registrados los datos se encienden ahora.
 - Las luces de los botones con números que sobrepasan el número de memorias establecido por el ajuste de menú TR MEMORY LENGTH no se encienden.
 - Si la luz de cualquier botón de entre el número de memorias en las que se pueden registrar datos está apagada, esto significa que ya se han registrado datos en ese botón. Cuando quiera registrar datos en tal botón, borre primero los datos existentes en su memoria.
- ④ Pulse el número del botón en el que va a registrar los datos. Sólo la luz del botón pulsado se enciende ahora, y los ajustes de posición del cabezal de panorámica/inclinación y de la cámara actuales se graban como posición de inicio de la memoria de trazado.
 - Cuando se utiliza ahora la palanca PAN/TILT, el registro de los datos de la memoria de trazado se cancela.
- ⑤ Pulse el botón START.
La luz del botón START parpadea y se establece el modo de grabación.
 - Si se utiliza ahora el botón STOP, el registro de los datos de la memoria de trazado se cancela.
- ⑥ Como la grabación en la memoria de trazado empieza en el punto donde se utiliza el control PAN, TILT, ZOOM o FOCUS, prosiga con el registro de los datos.
La luz del botón START deja de parpadear y la luz del botón STOP empieza a parpadear. Como regla general, el tiempo que puede guardarse en la memoria es de unos 3 segundos para cada botón PRESET MEMORY N.º 1 a 10, y de unos 30 segundos para cada botón PRESET MEMORY N.º 11 a 30.
Empezando con el botón N.º 10, las luces de los botones se apagan cada 3 segundos para indicar el tiempo restante para grabar en la memoria. Cuando se han apagado las luces de todos los botones, el zumbador suena, y termina el registro de los datos en la memoria de trazado.
 - Para suspender la grabación de datos en la memoria de trazado, pulse el botón STOP.
Las operaciones realizadas hasta el momento en que se suspende la grabación se registran como datos en la memoria de trazado.
 - El zumbador suena cuando la grabación de datos en la memoria de trazado empieza, se suspende o termina.
- ⑦ Si fuese necesario, registre los datos en los botones TRACING MEMORY N.º 1 a 10.
- ⑧ Seleccione otro sistema de cabezal de panorámica/inclinación utilizando el botón CONTROL SELECT, y prosiga con los ajustes de datos de la memoria de trazado para el sistema de cabezal de panorámica/inclinación pertinente. Repita este paso para todos los sistemas de cabezales de panorámica/inclinación.

La información de la memoria de trazado se graba en los cabezales de panorámica/inclinación y en los controladores.
Si se sustituye un cabezal de panorámica/inclinación, vuelva a registrar los datos en la memoria de trazado.

Reproducción de datos de la memoria de trazado

- ① Seleccione el sistema de cabezal de panorámica/inclinación utilizando uno de los botones CONTROL SELECT.
- ② Pulse el botón en el que están registrados los datos de la memoria de trazado que van a ser reproducidos.
El sistema de cabezal de panorámica/inclinación se pone en la posición de inicio registrada en la memoria de trazado.
- ③ Después de que el sistema de cabezal de panorámica/inclinación se haya puesto en la posición de inicio registrada en la memoria de trazado y se haya parado, la operación de los datos registrados en la memoria de trazado podrá iniciarse pulsando el botón correspondiente a la memoria de trazado en la que están registrados esos datos.
 - Para suspender la reproducción de los datos de la memoria de trazado en cualquier momento, pulse el botón STOP.
La reproducción también se suspende cuando se utiliza el control PAN, TILT, ZOOM o FOCUS.
 - El zumbador suena cuando la reproducción de datos de la memoria de trazado empieza, se suspende o termina.

Procedimientos de operación

Cambio de los datos de la memoria de trazado

- ① Seleccione el sistema de cabezal de panorámica/inclinación utilizando uno de los botones CONTROL SELECT. Cuando utilice el AW-CB400 para controlar la cámara, seleccione el mismo número para el AW-CB400.
- ② Pulse el botón correspondiente a la memoria de trazado cuyos datos registrados van a ser cambiados y luego llame a la posición de inicio.
- ③ Pulse el botón RESTORE.
La luz del botón RESTORE parpadea, y el ajuste de la posición de inicio en la memoria de trazado se puede cambiar.
 - Si se pulsa ahora el botón STOP, el modo de cambio se cancela.
- ④ Pulse de nuevo el botón RESTORE.
El sistema de cabezal de panorámica/inclinación inicia la operación registrada en la memoria de trazado, y la luz del botón RESTORE deja de parpadear y se enciende. Como cuando se registraron los datos, los botones PRESET MEMORY 1 a 30 sirven para proporcionar una indicación general del tiempo.
- ⑤ Cambio de la operación de la memoria de trazado.
 - No es posible cambiar partes de la operación de la memoria de trazado. Vuelva a registrar toda la operación desde el punto donde se hizo el cambio hasta el final.
- ⑥ Cuando se apaguen todas las luces de los botones PRESET MEMORY, el zumbador sonará, y el cambio de los datos de la memoria de trazado habrá terminado.

Borrado de los datos de la memoria de trazado

- ① Seleccione el sistema de cabezal de panorámica/inclinación utilizando uno de los botones CONTROL SELECT.
- ② Pulse el botón RESET.
Las luces de los botones (botones TRACING MEMORY 1 a 10) correspondientes a las memorias de trazado en las que se han registrado datos se encienden ahora.
- ③ Pulse el botón con el número correspondiente a la memoria cuyos datos van a ser borrados.
La luz del botón se apaga y los datos de la memoria de trazado se borran.

■ Ajuste de los datos de la memoria de preajustes

Haga estos ajustes en el controlador de cabezales de panorámica/inclinación AW-RP400.

El AW-RP400 tiene una función de memoria de preajustes para registrar las posiciones y los ajustes utilizados para filmar mediante los sistemas de cabezales de panorámica/inclinación. Los datos de la memoria de preajustes se registran en los botones PRESET MEMORY 1 a 50.

Registro de datos de la memoria de preajustes

- ① Seleccione el sistema de cabezal de panorámica/inclinación utilizando uno de los botones CONTROL SELECT.
- ② Establezca el estado de los cabezales de panorámica/inclinación y las cámaras.
 - Decida el ángulo de visión y el enfoque utilizando los controles PAN, TILT, ZOOM y FOCUS.
 - Seleccione el iris automático o el iris manual utilizando el botón IRIS [AUTO/MANUAL/LOCK].
 - Si selecciona el iris manual, ajuste el iris utilizando el dial IRIS.
 - Ajuste el nivel del negro, el balance del negro y el balance del blanco utilizando el controlador de la cámara.
- ③ Mientras mantiene pulsado el botón MEMORY, pulse uno de los botones (botones PRESET MEMORY 1 a 5) en los que se van a registrar los datos de la memoria de preajustes.
- ④ En caso de ser necesario, registre otros ajustes y posiciones de filmación en los botones PRESET MEMORY 1 a 50 como datos de memoria de preajustes.
- ⑤ Seleccione otro sistema de cabezal de panorámica/inclinación utilizando el botón CONTROL SELECT, y prosiga con los ajustes de datos de la memoria de preajustes para el sistema de cabezal de panorámica/inclinación pertinente. Repita este paso para todos los sistemas de cabezales de panorámica/inclinación.

Procedimientos de operación


Reproducción de datos de la memoria de preajustes

- ① Seleccione el sistema de cabezal de panorámica/inclinación utilizando uno de los botones CONTROL SELECT.
- ② Cuando se pulse el botón correspondiente a los datos de la memoria de preajustes registrados, el sistema de cabezal de panorámica/inclinación se pondrá en el estado de datos registrados.

Matsushita Electric Industrial Co., Ltd.

Web Site: <http://www.panasonic.co.jp/global/>

Printed in Japan
Gedruckt in Japan
Imprimé au Japon
Stampato in Giappone
Impreso en Japón
VQTB0067

F0904S0 



Free Manuals Download Website

<http://myh66.com>

<http://usermanuals.us>

<http://www.somanuals.com>

<http://www.4manuals.cc>

<http://www.manual-lib.com>

<http://www.404manual.com>

<http://www.luxmanual.com>

<http://aubethermostatmanual.com>

Golf course search by state

<http://golfingnear.com>

Email search by domain

<http://emailbydomain.com>

Auto manuals search

<http://auto.somanuals.com>

TV manuals search

<http://tv.somanuals.com>