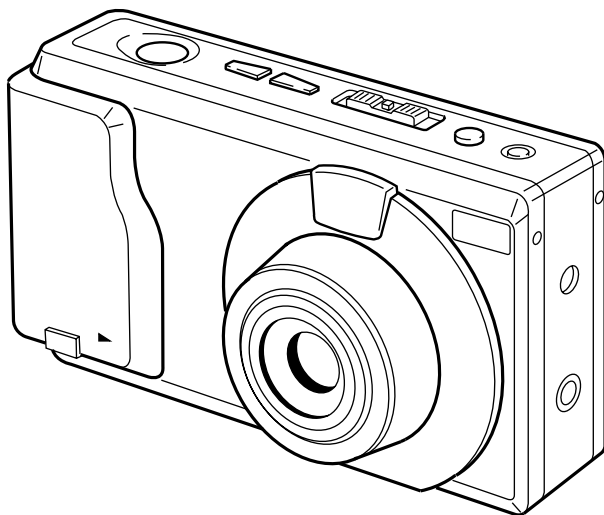


# Panasonic<sup>®</sup>

 PalmCam

Digital Camera

## Operating Instructions



## PV-DC1580

**For assistance, call 1-800-272-7033.**

Please read these instructions thoroughly before operating this product.

# Things You Should Know

## Thank you and congratulations

on your purchase of this state of the art Panasonic Digital Camera. This product has been manufactured and tested to Panasonic's highest standards to give you the best in performance and reliability. **Save this operating instruction manual** as an operating and information guide.

Date of Purchase \_\_\_\_\_

Dealer Purchased From \_\_\_\_\_

Dealer Address \_\_\_\_\_

Dealer Phone No. \_\_\_\_\_

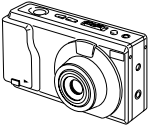
Model No. \_\_\_\_\_

Serial No. \_\_\_\_\_

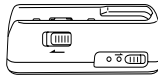
## Unpack your Digital Camera

Please confirm that the following items are packed in the Digital Camera box. They are provided to help you use or set up your Digital Camera.

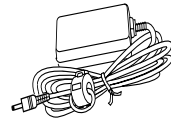
1pc. Digital Camera  
(PV-DC1580)



1pc. Digital Camera Station  
(LSSQ0141)



1pc. AC Adaptor  
(LSSQ0142)



1pc. Ni-Cd  
Battery Pack  
(PV-BPN10)



1pc. Hand Strap  
(LSFC0002)



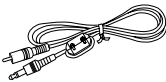
1pc. Soft Carrying  
Case  
(LSFC0007)



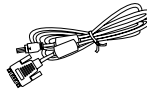
1pc. Detachable  
Flash Unit  
(PV-DF18)



1pc. Video Cable  
(LSJA0184)



1pc. PC Connection Cable  
for Windows  
(LSJA0185)



1pc. PC Connection Cable  
Adaptor for Macintosh  
(LSJA0147)



1 pc. Lithium Battery  
(CR-2/B)



1 pc. CD-ROM of Driver  
Software for Windows 95  
and Macintosh



1 pc. 8 MB  
CompactFlash Card  
(LSFA0007, or LSFA0008)



Microsoft, Windows, and Windows 95 are registered trademarks of Microsoft in the United States and other countries.

Macintosh is a registered trademark of Apple Computer Incorporated.

CompactFlash is a trademark of SanDisk Corporation.

All product/brand names are trademarks or registered trademarks of the respective holders.

# Information

---

**Note:** This equipment has been tested and found to comply with the limits for a Class B digital device, pursuant to Part 15 of the FCC Rules. These limits are designed to provide reasonable protection against harmful interference in a residential installation. This equipment generates, uses and can radiate radio frequency energy and, if not installed and used in accordance with the instructions, may cause harmful interference to radio communications. However, there is no guarantee that interference will not occur in a particular installation. If this equipment does cause harmful interference to radio or television reception, which can be determined by turning the equipment off and on, the user is encouraged to try to correct the interference by one or more of the following measures:

- Reorient or relocate the receiving antenna.
- Increase the separation between the equipment and receiver.
- Connect the equipment into an outlet on a circuit different from that to which the receiver is connected.
- Consult the dealer or an experienced radio/TV technician for help.

**FCC Warning:** To assure continued FCC compliance, use only the provided shielded interface cable with ferrite cores when connecting digital camera station to computer. Also, any unauthorized changes or modifications to this equipment could void the user's authority to operate.

## Precautions

### USE & LOCATION

- **TO AVOID SHOCK HAZARD ...** Your Digital Camera and power supply should not be exposed to rain or moisture. Do not connect the power supply or operate your Digital Camera if it gets wet. Your Digital Camera has been designed for outdoor use, however it is not designed to sustain direct exposure to water, rain, sleet, snow, sand, dust, or a direct splashing from a pool or even a cup of coffee. This action could permanently damage the internal parts of your Digital Camera. Do not attempt to disassemble this unit. There are no user serviceable parts inside. Unplug your Digital Camera from the power supply and have it serviced.
- **DO NOT AIM YOUR DIGITAL CAMERA AT THE SUN OR OTHER BRIGHT OBJECTS.**
- **DO NOT EXPOSE YOUR DIGITAL CAMERA TO EXTENDED HIGH TEMPERATURE ...** Such as, in direct sunlight, inside a closed car, next to a heater, etc... This action could permanently damage the internal parts of your Digital Camera.
- **AVOID SUDDEN CHANGES IN TEMPERATURE ...** If the unit is suddenly moved from a cold place to a warm place, moisture may form inside the unit.
- **DO NOT LEAVE YOUR DIGITAL CAMERA OR THE POWER SUPPLY TURNED ON WHEN NOT IN USE.**
- **STORAGE OF YOUR DIGITAL CAMERA ...** Store and handle your Digital Camera in a manner that will not subject it to unnecessary movement (avoid shaking and striking). Your Digital Camera contains a sensitive pick-up device which could be damaged by improper handling or storage.

### CARE

- **TO CLEAN YOUR DIGITAL CAMERA ...** Do not use strong or abrasive detergents when cleaning your Digital Camera body.
- **TO PROTECT THE LENS ...** Do not touch the surface of the lens with your hand. Use a commercial Digital Camera lens solution and lens paper when cleaning the lens. Improper cleaning can scratch the lens coating.
- **TO PROTECT THE FINISH OF YOUR DIGITAL CAMERA ...** Before handling your Digital Camera, make sure your hands and face are free from any chemical products, such as suntan lotion, as it may damage the finish.

# Table of Contents

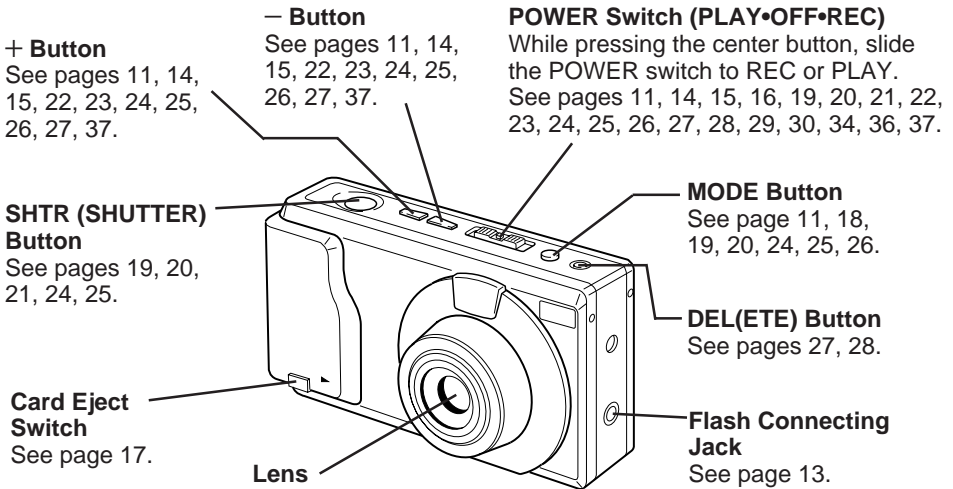
---

Things You Should Know .....	2
Information .....	3
Index of Controls .....	5
Attaching the Hand Strap/Soft Carrying Case .....	7
Power Supply .....	8
Setting the Clock .....	11
Using the Flash .....	12
Adjusting LCD Viewfinder Brightness .....	14
Adjusting the Iris Manually .....	15
On Screen Display (OSD) .....	16
CompactFlash Card .....	17
Capturing Images .....	18
Capturing Close-up Images (macro) .....	21
Playing Back Captured Images .....	22
To Delete Specific Images .....	27
To Delete All Image Pages .....	28
Viewing Images on Your TV Screen .....	29
Transferring Your Images (VCR) .....	30
Inserting the PCMCIA Adapter .....	31
Transferring Your Images (Windows 95) .....	32
Transferring Your Images (Macintosh) .....	35
Using the Digital Photo Printer .....	37
Digital Camera Accessory List .....	38
Digital Camera Accessory Order Form .....	39
Before Requesting Service .....	40
Specifications .....	41
Warranty .....	42
Servicenter Directory .....	43
Index .....	44

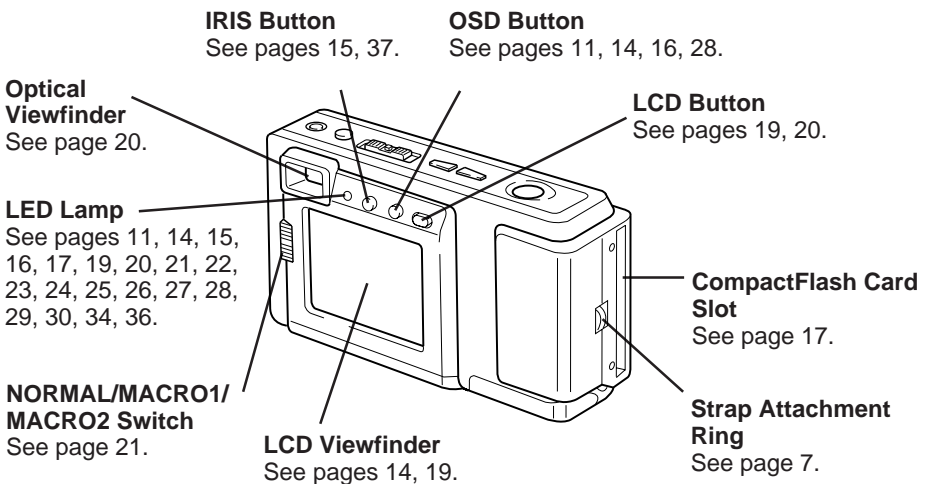
# ***Index of Controls***

---

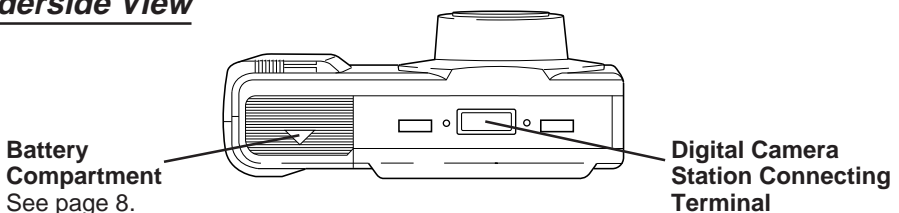
## ***Front View***



## ***Rear View***



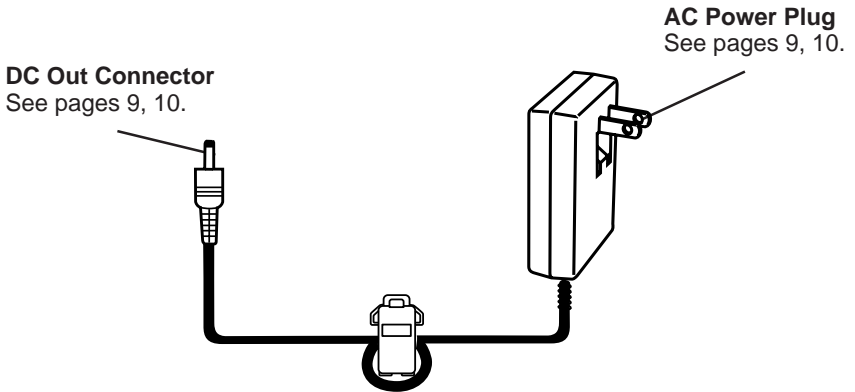
## ***Underside View***



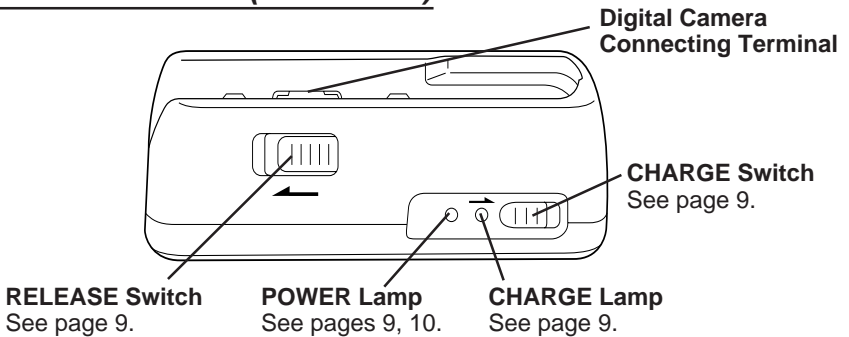
# ***Index of Controls***

---

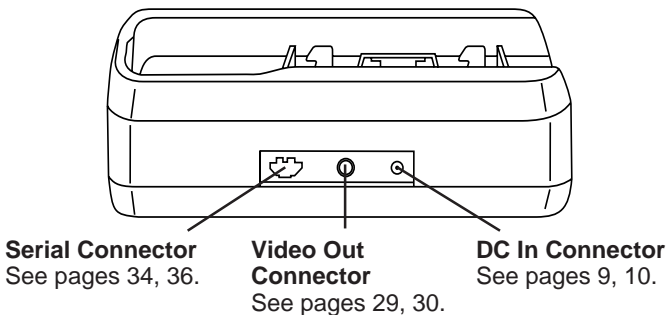
## **AC Adaptor**



## **Digital Camera Station (Front View)**



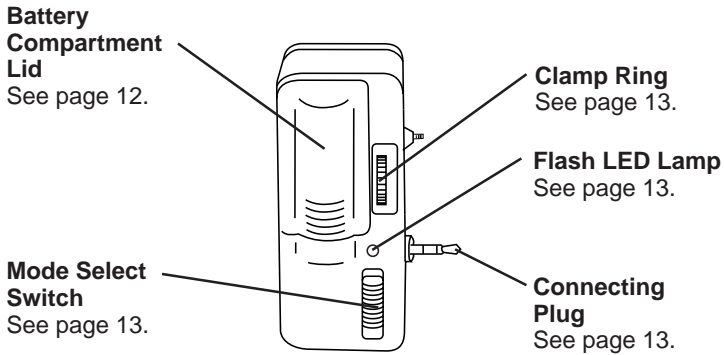
## **Digital Camera Station (Rear View)**



# ***Index of Controls***

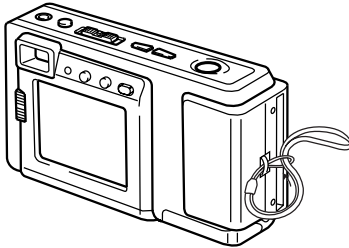
---

## **Detachable Flash**

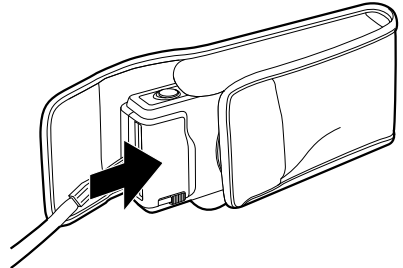


## ***Attaching the Hand Strap/Soft Carrying Case***

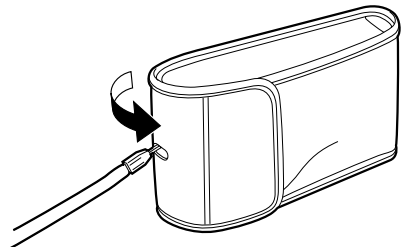
---



**Thread the Hand Strap through the Strap Attachment ring as shown.**



**Keep the Digital Camera in the Soft Carrying Case as shown when not in use.**

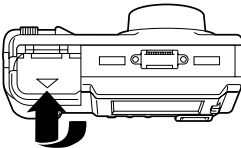
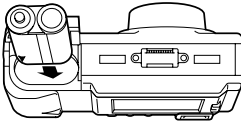
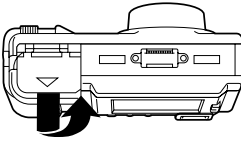


**You may thread the hand strap through the hole in the Soft Carrying Case.**

# Power Supply

## Loading the Ni-Cd Battery Pack

Underside



**1** Slide the Battery Compartment lid in the direction of the arrow and swing it open.

**2** Install the Battery Pack with the arrow mark at the bottom and facing the rear of the Digital Camera.

**3** Swing the Battery Compartment lid down and slide it shut.

- Charge the Battery Pack fully before operation (see page 9).

**WARNING!** Do not dispose of in fire, put in backwards, disassemble, or short circuit; otherwise battery may leak or burst, causing possible personal injury.

## Battery Pack Notes

### Caution:

- Charge only with specified charger.
- The Battery can be charged within a temperature range of 32° F (0° C) and 104° F (40° C).
- The Battery Pack may be warm after charging or just after use. This is normal.
- Do not use an insufficiently charged or worn out Battery Pack.

### Safety precautions:

- Do not get the Battery Pack or AA alkaline batteries near, or dispose of in fire.
- Do not directly connect (short circuit) the positive (+) and negative (-) terminals.
- Never attempt to disassemble or reassemble the Battery Pack.

### To avoid damage to the Battery Pack:

- Do not drop or jar the Battery Pack.
- Use the Battery Pack with specified units only.

### To insure longer Battery Pack life:

- While not in use, remove the Battery Pack from the Digital Camera and store in a dark, cool, dry place.
- Keep the Battery Pack terminals clean.

## U.S.A. CONSUMERS:

### ATTENTION:

The product you have purchased is powered by a nickel cadmium battery which is recyclable. At the end of its useful life, under various state and local laws, it is illegal to dispose of this battery into your municipal waste stream. Please call 1-800-8-BATTERY for information on how to recycle this battery.



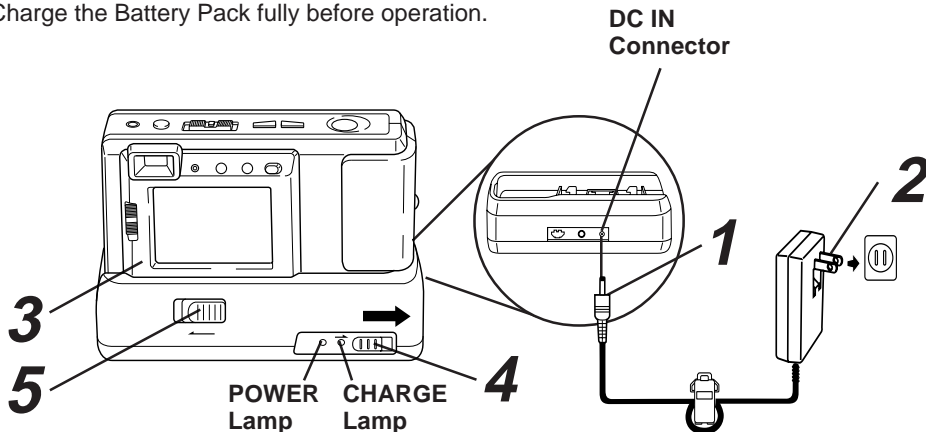


# Power Supply

## Charging the Battery Pack (PV-BPN10 or PV-BPN10/1B only)

Install the Battery Pack (see page 8.)

Charge the Battery Pack fully before operation.



**1** Connect DC OUT on the AC Adaptor to DC IN on the Digital Camera Station until it locks with a click.

**2** Plug the AC Adaptor into an AC outlet.  
The POWER Lamp lights up.

**3** Insert the Digital Camera into the Digital Camera Station until it locks.

**4** Slide the CHARGE switch.  
The CHARGE Lamp lights orange, and then changes to green when charging is done (just under 2.5 hours).

- A red CHARGE Lamp indicates a charge malfunction. Remove the Digital Camera and repeat steps 3 and 4. If the CHARGE Lamp is still red, send the unit in for service.

**5** Slide the RELEASE switch to release the Digital Camera from the Digital Camera Station.

- With a fully charged Battery Pack, you will have a maximum of about 50 minutes\* of continuous playback(77°F/25°C).

\* When playback 1 image every 60 seconds.

- The useful operation time of the Battery will gradually decrease after repeated use and recharging. The Battery is no longer serviceable if the operation time is very short, even after a sufficient charge.
- Instead of the supplied Battery Pack, you can also use AA type Ni-Cd (high density type) or nickel-hydrate batteries available on the market.
- For emergency use you can install 2 Panasonic alkaline batteries. But, due to power consumption and shorter operation life of alkaline batteries compared to the supplied rechargeable battery pack, it is strongly recommended that only the Optical Viewfinder (turn off the LCD Viewfinder) be used to capture images when using alkaline batteries.
- If you are not going to use the Digital Camera for an extended period of time, remove the Battery Pack from the Digital Camera.

### CAUTION

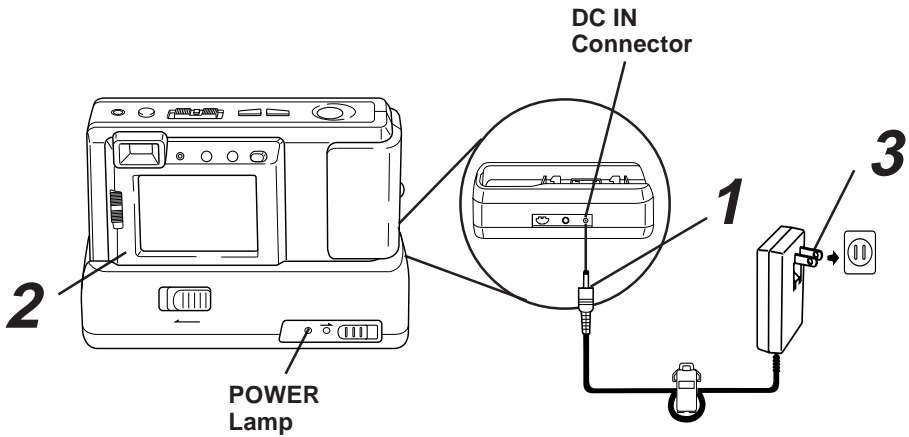
Discharge the remaining voltage of the Battery Pack completely before charging. This is vital to maintain battery life and the operation time due to characteristics of the battery.

Do not remove the Digital Camera while charging is in progress.

# Power Supply

---

## AC Adaptor



---

**1** Connect DC OUT on the AC Adaptor to DC IN on the Digital Camera Station until it locks with a click.

**2** Insert the Digital Camera into the Digital Camera Station until it locks.

**3** Plug the AC Adaptor into an AC outlet.

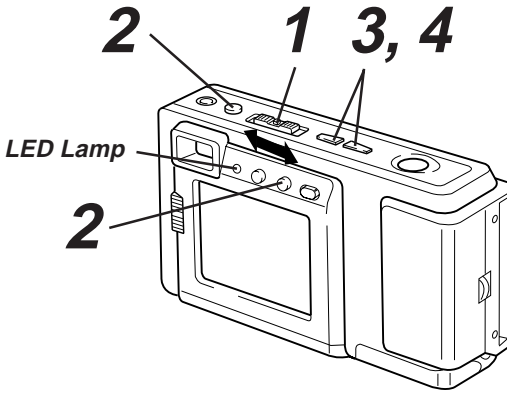
- The POWER Lamp lights up.

**Note:**

- While not in use, unplug the AC Adaptor from the AC outlet.

# Setting the Clock

---

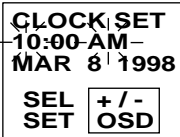


---

**1** Set the **POWER** switch to **REC** or **PLAY**.

- The LED Lamp lights up.

**2** Press **OSD** and **MODE** at the same time to display the clock set screen.



**3** Press **(+)** or **(-)** to select the correct hour, then press **OSD** to set.

**4** Repeat **step 3** to select and set the correct minute, month, date, and year.

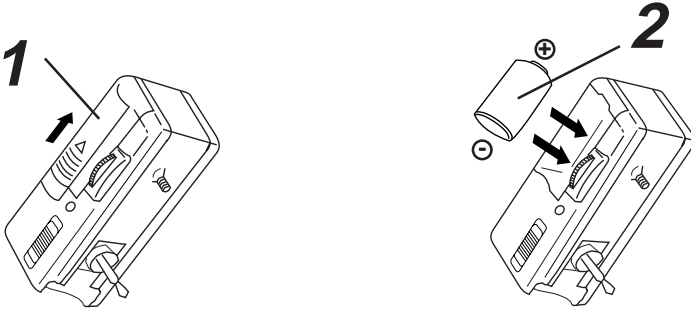
- Double check all items before setting the year.

**Note:**

- To make corrections, repeat steps 2-4.
- The clock will continue to operate about 8 hours after the battery has been removed. If you need to reset the clock, repeat steps 2-4.

# Using the Flash

---



---

## Install the battery

**1** Open the Battery Compartment lid by sliding it in the direction of the arrow, as shown above.

**2** Install the battery as indicated inside the Battery Compartment.

- Do not reverse the battery polarities (-) and (+). Incorrect use may shorten battery life, causing the battery to become hot, leak or explode.
- Make sure the battery is firmly in place to avoid a loose connection.

## Remove the battery

- Pull up the string in the battery compartment and remove the battery.

### CAUTION

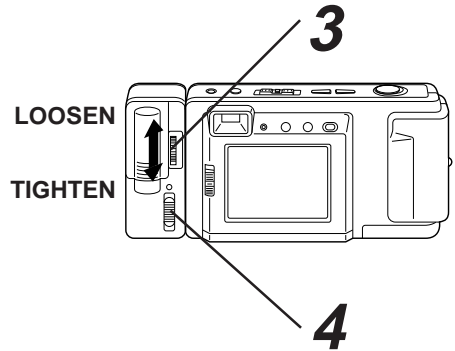
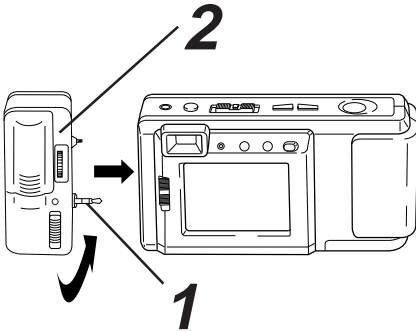
Replace with Panasonic CR2 Lithium batteries only. Use of another battery may present a risk of fire or explosion. Caution-battery may explode if mistreated.

Fire and burn hazard. Do not recharge, disassemble, or dispose of in fire. Keep battery out of reach of children. Danger of explosion if battery is incorrectly inserted. Dispose of used battery promptly.

When disposing of the used Lithium Battery be sure to insulate the battery polarities (+) and (-) by covering with cellophane tape.

# Using the Flash

---



---

## Attaching the Flash

- 1** Pull up on the connecting plug from its retracted position as shown above.
- 2** Connect to the digital camera connecting jack.
- 3** Rotate thumbwheel to secure the flash.
  - Be sure to set the Digital Camera and the flash unit to OFF before attaching or removing the flash unit.

## Using the Flash

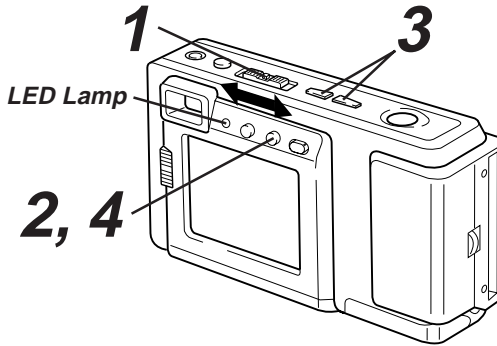
- 4** Slide the **MODE Select Switch** to one of the following positions to use the flash.
  - **AUTO** The flash automatically lights depending on lighting conditions.
  - **⚡** The flash will light whenever you capture an image.
  - **OFF** The flash will not light even when you capture an image.

## NOTE:

- Please set the MODE Select Switch to OFF when taking Macro shots (see page 21).
- The flash will not light when the unit is in Multi Mode (see page 18).
- The LED Lamp on the flash unit lights when flash is charged and ready.
- The effective range of the flash is roughly 3.3 feet (1m) to 8.2 feet (2.5m).
- If you are using the flash in very bright areas, the image background may become dark.
- While not in use, remove the battery from the flash unit.
- Remove the flash unit when not in use.
- Never handle the flash unit if your hands are wet. This may result in electric shock or damage to the flash.
- Do not use the flash close to people's faces as it may be harmful to the eyes. Especially when capturing images of infants or small children, keep at least 3.3 feet (1m) away.

# Adjusting LCD Viewfinder Brightness

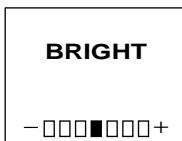
You may want to brighten or darken the LCD (Liquid Crystal Display) Viewfinder for easier viewing. This adjustment will not affect the captured image brightness.



**1** Set the **POWER** switch to **REC** or **PLAY**.

- The LED Lamp lights up.

**2** Press **OSD** repeatedly until the **BRIGHT** adjustment screen appears.



**3** Press **(+)** or **(-)** to change the brightness of the LCD Viewfinder; **(+)** for brighter, **(-)** for darker.

- The normal screen will reappear if either **(+)** or **(-)** is not pressed within 5 seconds.

**4** Press **OSD** once to exit the **BRIGHT** adjustment screen.

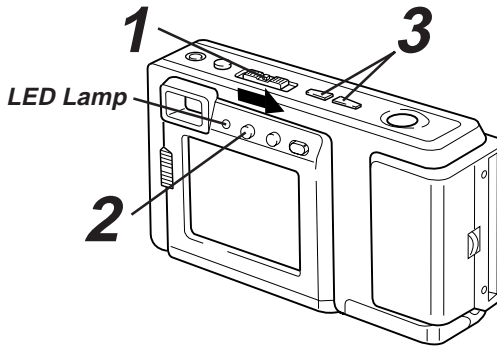
## Note:

- The **BRIGHT** adjustment will be reset to the original setting when the Digital Camera is turned off.

# Adjusting the Iris Manually

---

Normally, the camera adjusts the exposure automatically. However, when the background is extremely bright, or when the subject is backlit, you can compensate by adjusting the Iris manually.

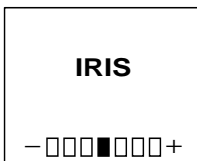


---

## 1 Set the **POWER** switch to **REC**.

- The LED Lamp lights up.

## 2 Press **IRIS** Button to display the **IRIS** screen.



## 3 Press (+) or (-) to change the **IRIS**; Press (+) to increase the brightness, Press (-) to decrease the brightness.

- The IRIS screen disappears about 5 seconds after the adjustment.

### **Note:**

- There are 7 brightness compensation levels ranging from -3 to +3.
- A blue sky may appear somewhat whiter when the brightness is increased.
- The brightness cannot be adequately compensated for in extreme backlight conditions.
- The original exposure is automatically restored when the power is turned off.

# On Screen Display (OSD)

The indications displayed on the LCD screen will tell you the operation status of the Digital Camera.

## REC Mode

### Function Status

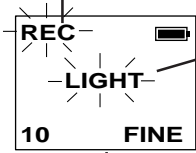
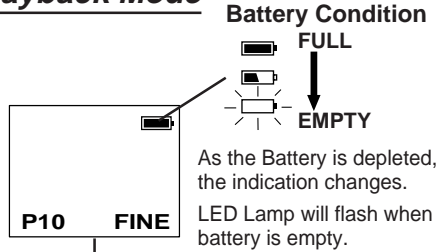


Image Pages left in memory and Image Resolution selected; FINE (Fine), NORMAL (Normal), ZOOM (Zoom), WIDE (Wide), or MULTI (Multi).

### Low Light Warning

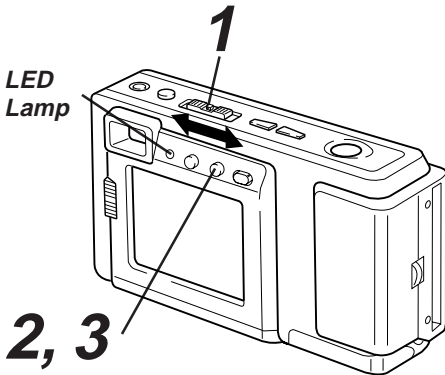
"LIGHT" will appear when the light level is inadequate. In this case, more light should be provided or use flash unit (See page 13) to achieve better picture quality and color.

## Playback Mode



Displayed Image Page and its Image Resolution FINE (Fine), NORMAL (Normal), or WIDE (Wide).

- If the image is captured in ZOOM mode, the displayed Image Resolution will be NORMAL.
- If the image is captured in MULTI mode, the displayed Image Resolution will be FINE.



## To Cancel the OSD

**1** Set the POWER switch to REC or PLAY.

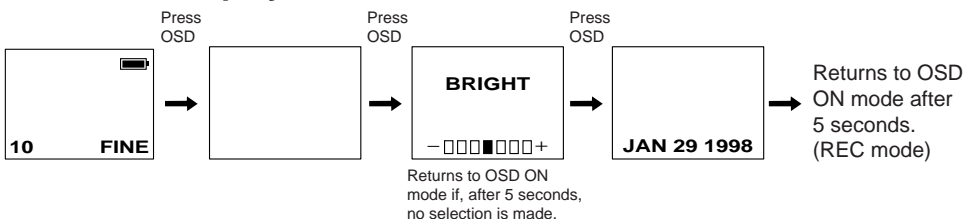
- The LED Lamp lights up.

**2** Press OSD repeatedly until the On Screen Display disappears.

**3** To resume the On Screen Display, press OSD until it reappears.

- Only Warning indications and REC indication will be displayed on the LCD Viewfinder if the OSD is cancelled.
- The OSD feature will be in on mode each time the Digital Camera is powered on.

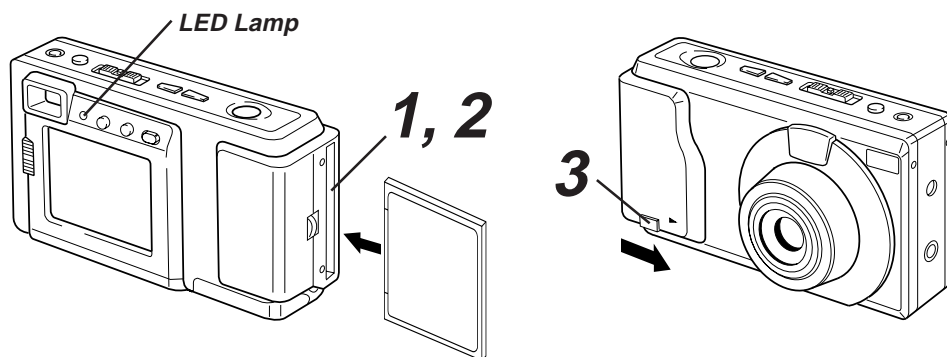
## On Screen Display Order





# CompactFlash Card

---



---

## Inserting the CompactFlash Card.

- The captured images will be stored on this CompactFlash Card.
- Be sure to insert the CompactFlash Card before using the camera.

**1** Insert the CompactFlash Card into the slot in the direction of the arrow mark and so that the arrow mark side of the card faces the front (lens Side) of the Digital Camera.

**2** Push the card fully into the CompactFlash Card Slot.

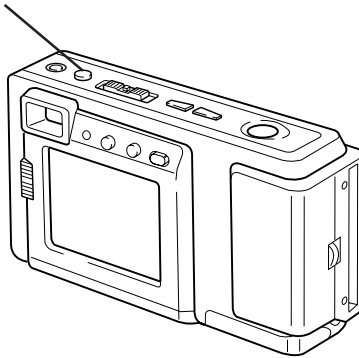
## Removing the CompactFlash Card.

**3** Slide the CARD EJECT Switch, so the Card pops out. (Be careful not to drop the card.)

- Do not, under any circumstances, eject the card immediately after pressing the Shutter Button (during recording of an image) or while deleting (when PLEASE WAIT is displayed). This could damage the format of the card and make it unusable.
- Make sure that you do not insert the card in the wrong direction.
- When the card does not eject after pressing the CARD EJECT Switch, push the card fully into the slot again and then press the CARD EJECT Switch firmly.
- To avoid dropping the card, do not push the CARD EJECT Switch when the card slot is facing downward.
- NO CF CARD will appear on the LCD Viewfinder and the LED Lamp will flash when the CompactFlash Card is not inserted.
- CF CARD ERROR will appear on the LCD Viewfinder and the LED Lamp will flash if the CompactFlash Card is defective.

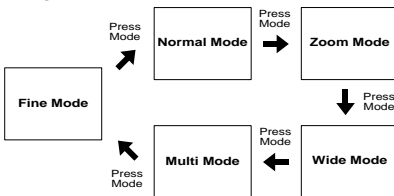
# Capturing Images

**MODE Button**



## To Select the Recording Mode

You can select the recording mode by pressing the MODE switch.



- The recording mode can be switched anytime by pressing MODE.

### Fine Mode

- Image resolution is 1,024 X 768.
- Approx. 40 images can be stored with supplied 8 MB CompactFlash Card.

### Normal Mode

- Image resolution is 512 X 384.
- Approx. 152 images can be stored with supplied 8 MB CompactFlash Card.

### Zoom Mode

- Using Zoom mode magnifies the image to twice its normal size.
- Image resolution is 512 X 384.
- Approx. 152 images can be stored with supplied 8 MB CompactFlash Card.

Note :

Picture quality of images captured in ZOOM mode are less than those captured in NORMAL mode.

### Wide Mode

- Image resolution is 1,136 X 640.
- Approx. 40 images can be stored with supplied 8 MB CompactFlash Card.



### Multi Mode

- Pressing SHUTTER in Multi mode allows you to capture an image every 0.3 seconds to create a series of nine shots. The images are displayed in order from the upper left corner on the screen.
- Image resolution is 1,024 X 768.
- Approx. 40 images can be stored with supplied 8 MB CompactFlash Card.

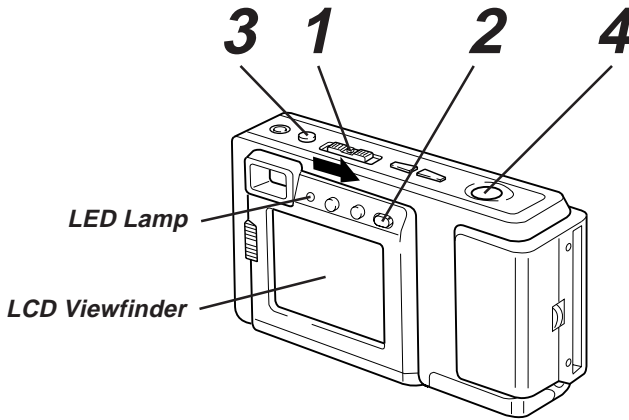
A	B	C
D	E	F
G	H	I

Note :

If SHUTTER is held down and then released, the images may not be displayed in the order shown above.

# Capturing Images

---



---

## Using LCD Viewfinder

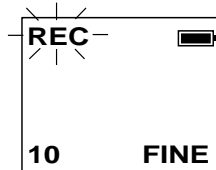
- 1** Set the **POWER** switch to **REC**.  
Make sure you slide the **POWER** switch fully to the **REC** position.
- The **LED Lamp** lights up.



- 2** Make sure the **LCD Viewfinder** is on.  
Press the **LCD** button if the **LCD Viewfinder** is off.

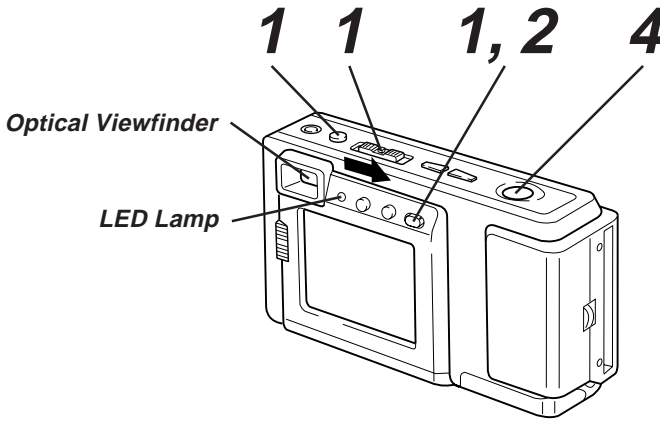
- 3** Press **MODE** to select the recording mode. (See page 18.)

- 4** Press **SHTR (SHUTTER)** to capture the image displayed on the **Viewfinder**.
- Press **SHTR(SHUTTER)** down halfway to lock **Auto Focus**.



- **REC** on the **LCD Viewfinder** and **LED Lamp** will flash while the **Digital Camera** processes the image. You may capture another image as soon as **REC** and **LED Lamp** stops flashing.

# Capturing Images



## Using Optical Viewfinder

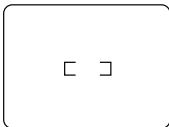
**1** Repeat step 1 and 3 on the previous page.

**2** Press the **LCD** button to turn off the LCD Viewfinder.

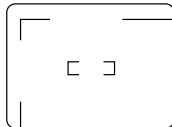
- If you press the OSD or MODE button, the LCD monitor will turn on.

**3** Frame the image you want to capture within the recording area guide marks on the Optical Viewfinder.

### Normal



### Short Distance



- Please use the Short Distance frame when capturing images within 3.3 feet (1 m) of subject.
- Focus will be adjusted automatically in the center mark area.

**4** Press **SHTR (SHUTTER)** to capture the image.

- LED Lamp will flash while the Digital Camera processes the image. You may capture another image as soon as LED Lamp stops flashing.

- Using the Optical Viewfinder will prolong battery life.

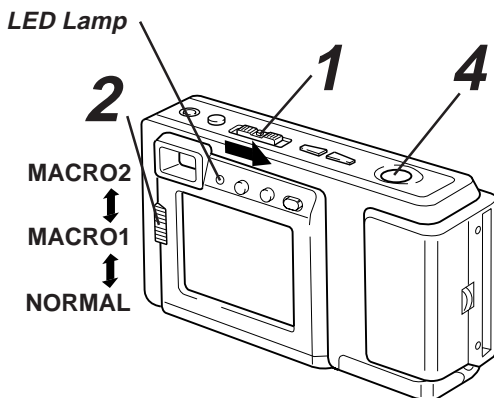
### Notes for LCD and Optical Viewfinder use:

- The number of image pages left in the selected mode is displayed on the LCD Viewfinder. When no memory remains, 0 and LED Lamp will flash. To capture other images, you will first need to delete some images from memory (see pages 27, 28).
- The Digital Camera is focused automatically. For close-ups, see page 21.
- If, after the POWER switch has been set to REC or PLAY, no buttons are pressed for one minute in REC mode or two minutes in PLAY mode, the LCD will turn off automatically to conserve power. To resume operation, press SHTR (SHUTTER), or set the POWER switch to OFF, and then to REC.
- Avoid covering the lens with your fingers when capturing images.
- Do not subject the LCD Viewfinder to pressure or shock.
- Hold the Digital Camera as steady as possible when capturing an image.
- The active LCD Viewfinder image will have a slightly degraded appearance when compared to a captured or transferred image. This is normal.

# Capturing Close-up Images (macro)

---

You can capture images of plants, insects, photo album pictures, and so on.



---

## 1 Set the **POWER** switch to **REC.**

- The LED Lamp lights up.

## 2 Set the **NORMAL/MACRO1/MACRO2** switch to **MACRO1** or **MACRO2**.

- LCD Viewfinder will turn on automatically.

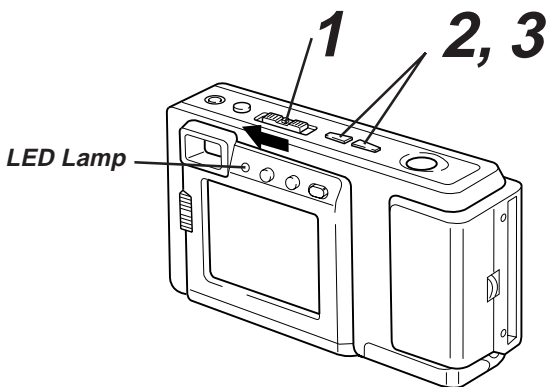
## 3 Bring the **Digital Camera** up to the **subject** [as close as approximately 10.6 inches (27cm) away in **MACRO1** or 5.5 inches (14cm) away in **MACRO2**].

## 4 Press **SHTR (SHUTTER)** when the subject is in focus.

- The LED Lamp will flash while the Digital Camera processes the image.
- The flash will not light when the unit is in **MACRO** mode.
- You may have to move the Digital Camera closer or further away from the subject for proper focus
- When finished with this feature, be sure to return the **NORMAL/MACRO1/MACRO2** switch to **NORMAL**.

# Playing Back Captured Images

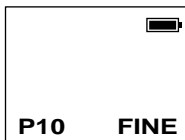
---



---

## Manual Playback

**1** Set the **POWER** switch to **PLAY**.



- The LED Lamp lights up.
- Turn off the LCD monitor when not in use by pressing the LCD button. To turn the monitor back on, press the LCD button again.
- If you press the DEL, OSD, or MODE button while in Play mode, the LCD monitor will automatically turn on as a warning.

**2** Press **(+)** or **(-)** repeatedly, [(+) for ascending order, and (-) for descending order] to change the displayed image on the LCD Viewfinder.

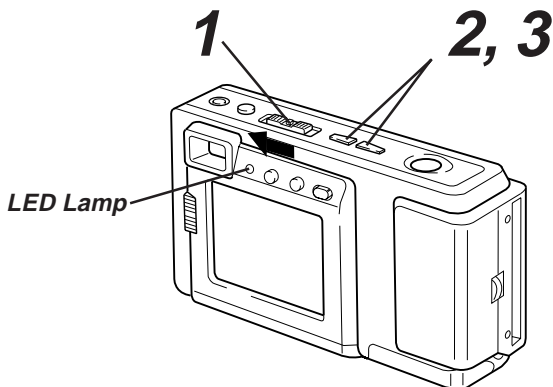
- The image page number and resolution mode are displayed at the bottom of the screen.
- If there are no images in memory, a blue back screen will be displayed.

**3** Hold down **(+)** or **(-)**, [(+) for ascending order, and (-) for descending order] to change the displayed image on the LCD Viewfinder by fast page advance.

- Page number is changed continuously while (+) or (-) button is held down.
- Selected page is displayed when button is released.

# Playing Back Captured Images

---

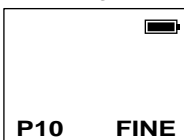


---

## Auto Playback

**1** Set the **POWER** switch to **PLAY**.

- The LED Lamp lights up.



**2** Hold down **(+)** and **(-)** at the same time to place the Digital Camera in Auto Playback mode.



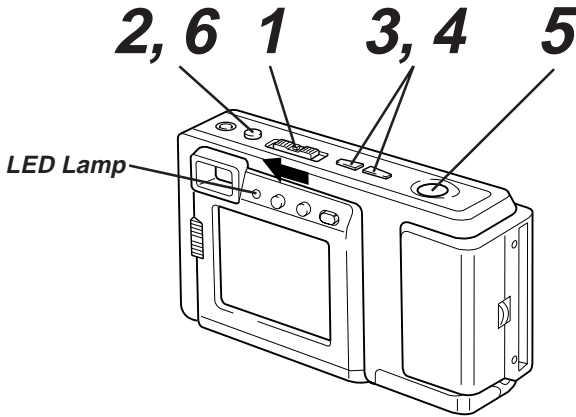
- "AUTO PLAY START" will be displayed.
- Auto Play displays images in ascending order only.
- Each image will remain on the LCD Viewfinder for three seconds after it is fully displayed.
- Auto Play will continue to loop through the images until you cancel this feature.

**3** Press **(+)** or **(-)** again to cancel Auto Playback mode.



- "AUTO PLAY STOP" will be displayed.

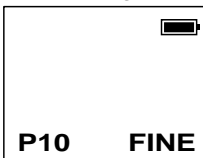
# Playing Back Captured Images



## Multi Image Playback

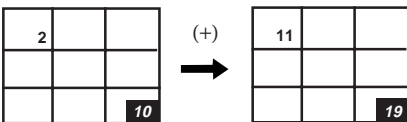
**1** Set the **POWER** switch to **PLAY**.

- The LED Lamp lights up.



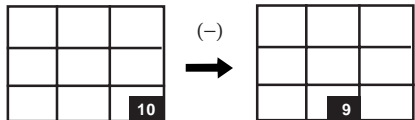
**2** Press the **MODE** button. A Multi Image Playback screen will appear.

**3** Press **(+)** repeatedly to scroll forward through Multi Image pages (each page contains nine images). When you locate the page containing the image you want, go to step 5. The selected image will be the one displayed on the screen.



**4** Press **(-)** to move back through the images on the page until the number of the image you want is selected.

- The number of the selected image will be inversely displayed.



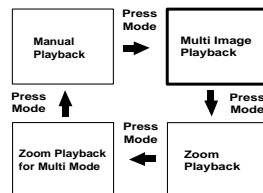
**5** Press **SHTR (SHUTTER)**. The image you selected will be the one displayed on the screen.

**6** Press **MODE** to restore the Multi Image Playback screen.

## Select Playback Mode

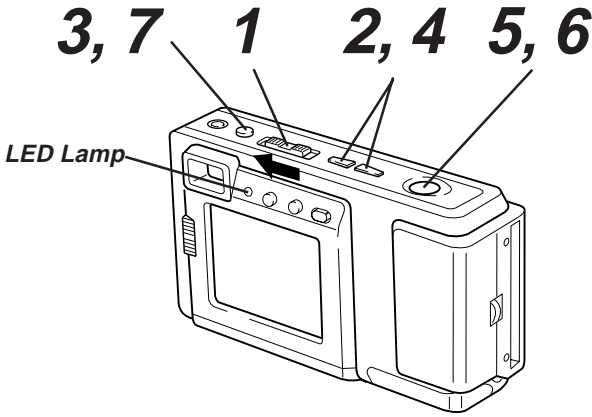
### Note:

- Press **MODE** repeatedly to select the desired playback mode as shown below.





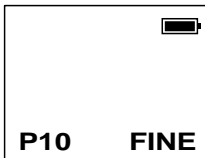
# Playing Back Captured Images



## Zoom Playback

**1** Set the **POWER** switch to **PLAY**.

- The LED Lamp lights up.

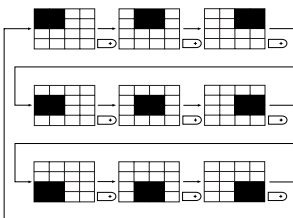


**2** Press (+) or (-) to select the image you want to zoom in on.

**3** Press **MODE** twice to enter the Zoom Playback mode.

**4** Press (+) or (-) to select the desired Zoom Position.

Changing the Location of the Zoom Area.



- Pressing (-) moves the zoom area in the opposite direction.

**5** Press **SHTR (SHUTTER)** to zoom in on the selected portion of the image X2.

- Press (+) or (-) to change the zooming area.

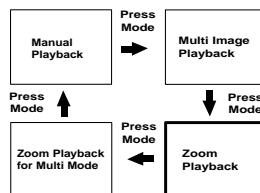
**6** Press **SHTR (SHUTTER)** to restore the image to its normal size.

**7** Press **MODE** twice to resume the normal screen.

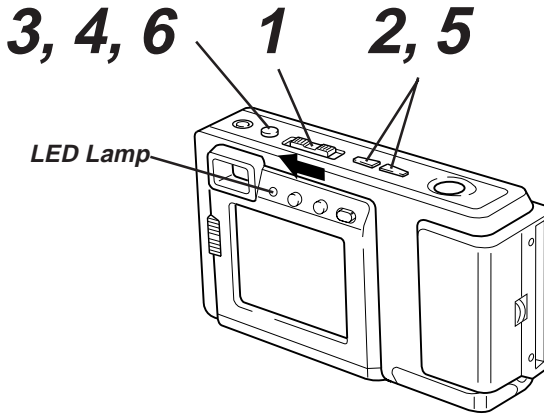
## Select Playback Mode

**Note:**

- Press **MODE** repeatedly to select the desired playback mode as shown below.



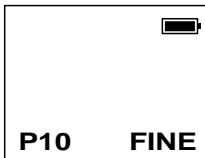
# Playing Back Captured Images



## Zoom Playback for Multi Mode

**1** Set the **POWER** switch to **PLAY**.

- The LED Lamp lights up.



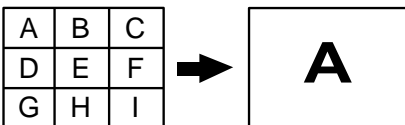
**2** Press **(+)** or **(-)** to select the Multi Mode Image you want to zoom in on.

- You can also zoom the Normal Mode Image.

**3** Press **MODE** three times to select Zoom Playback for Multi Mode.

**4** Then the upper left image will be zoom in on.

- The image will be displayed X3 magnification.



**5** Press **(+)** or **(-)** to select a new image.

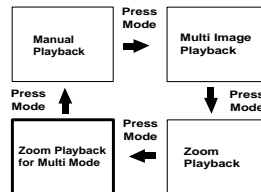


**6** Press **MODE** to return to the normal screen.

## To Select Playback Mode

### Note:

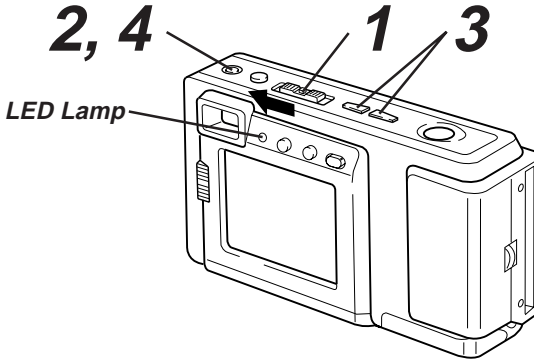
- Press **MODE** repeatedly to select the desired playback mode as shown below.



# To Delete Specific Images

You can delete unwanted images and increase the remaining image memory.

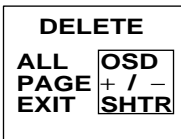
**Warning:** Once deleted, images cannot be restored.



## 1 Set the POWER switch to PLAY.

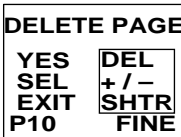
- The LED Lamp lights up.

## 2 Press DEL to display the DELETE menu.



- To exit this menu, press SHTR.

## 3 Press (+) or (-) to select the image page to be deleted.



- To exit this menu, press SHTR.

## 4 Press DEL to select YES when the image page you want to delete is displayed.



- Image page numbers are adjusted automatically as images are deleted.
- To delete other specific image pages, please repeat steps 2–4.

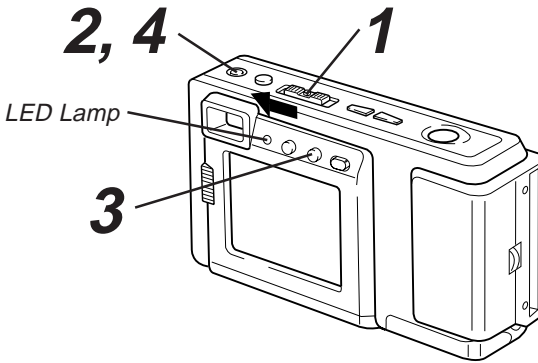
### Important:

- While "PLEASE WAIT" is displayed, **do not turn off the Digital Camera nor unplug the AC Adaptor** because this will cause irreversible damage to the memory, resulting in reduced image storage capacity.

# To Delete All Image Pages

You can delete all images from memory with one easy operation.

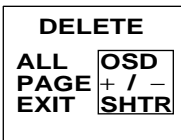
**Warning:** Once deleted, images cannot be restored.



## 1 Set the POWER switch to PLAY.

- The LED Lamp lights up.

## 2 Press DEL to display the DELETE menu.



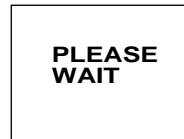
- To exit this menu, press SHTR.

## 3 Press OSD to select ALL in the DELETE menu.



- To exit this menu, press SHTR.

## 4 Press DEL to select YES in the DELETE ALL menu.



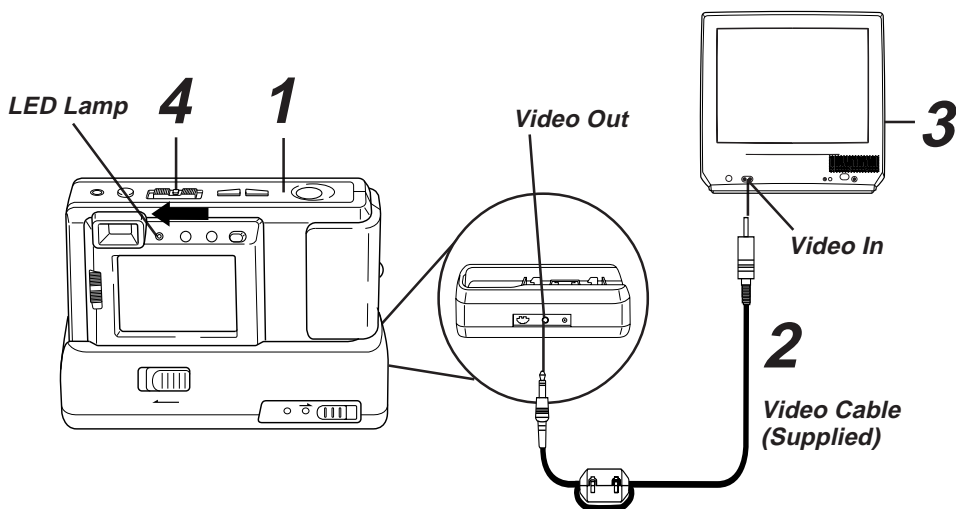
- "PLEASE WAIT" will be displayed on screen as all images are deleted from memory. Deletion is complete when the screen turns solid blue.

### Important:

- While "PLEASE WAIT" is displayed, **do not turn off the Digital Camera nor unplug the AC Adaptor** because this will cause irreversible damage to the memory, resulting in reduced image storage capacity.

# Viewing Images on Your TV Screen

---



**1** Insert the Digital Camera into the Digital Camera Station until it locks.

**2** Connect the Digital Camera Station to your TV using the Video cable (supplied) as shown.

**3** Turn on your TV and select its video input mode.

**4** Set the Digital Camera POWER switch to PLAY. You may select manual or auto playback as described on pages 22 and 23.

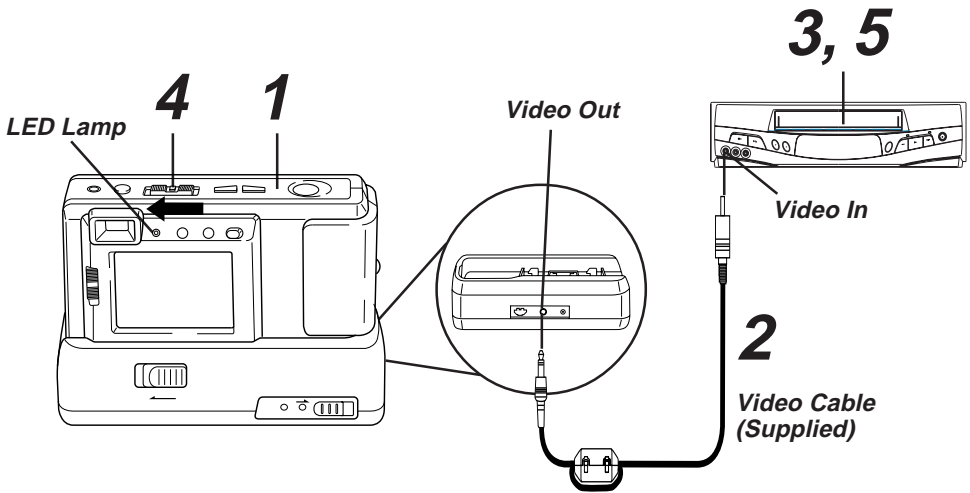
- The LED Lamp lights up.

**Note:**

- For extended periods of use, it is recommended to use the AC Adaptor for a power source.

# Transferring Your Images (VCR)

---



**1** Insert the Digital Camera into the Digital Camera Station until it locks.

**2** Connect the Digital Camera Station to your VCR using the Video cable (supplied) as shown.

**3** Turn on your VCR and select its line input mode.

**4** Set the Digital Camera **POWER** switch to **PLAY**. You may select manual or auto playback as described on pages 22 and 23.

- The LED Lamp lights up.

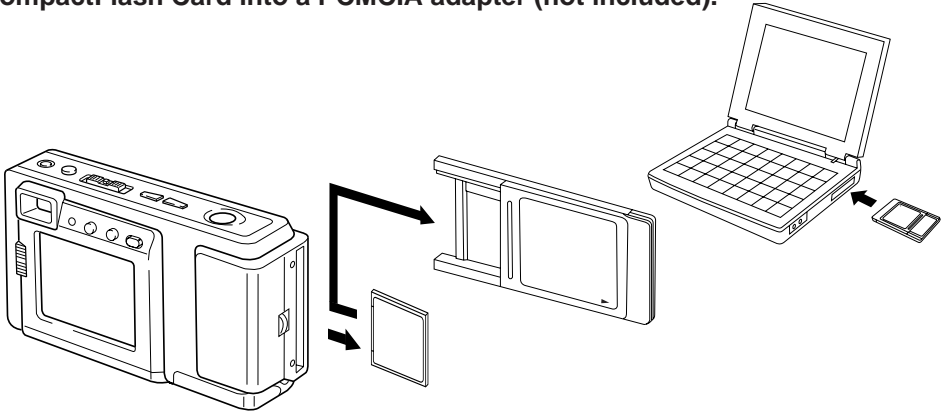
**5** Start a recording of the desired images. (Refer to your VCR manual.)

**Note:**

- For extended periods of use, it is recommended to use the AC Adaptor for a power source.

# Inserting the PCMCIA Adapter

If you are using a computer with a PCMCIA type II slot, you can insert the CompactFlash Card into a PCMCIA adapter (not included).



## Inserting the CompactFlash Card

- The adapter should be inserted when your computer is in the power on mode.

- 1 Remove the CompactFlash Card from the camera. (See page 17.)
  - 2 Hold the CompactFlash Card so that the arrow side faces up and points toward the PCMCIA Adapter. Securely insert the card into the PCMCIA Adapter slot as far as it will go.
  - 3 Hold the PCMCIA Adapter so that the arrow side points toward the PCMCIA type II slot of your computer. Securely insert the PCMCIA Adapter as far as it will go.
- Depending on the computer, it may be necessary to turn the PCMCIA Adapter upside down in order to insert the card.

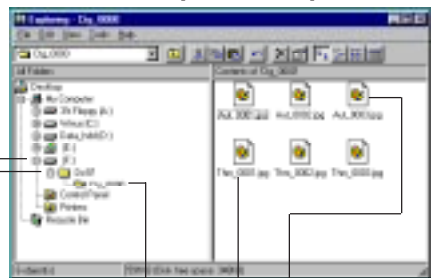
## Removing the CompactFlash Card

- 1 Remove the PCMCIA Adapter from the computer.
- 2 Pull the CompactFlash Card out of the PCMCIA adapter.

## Note

Do not remove the PCMCIA Adapter from the computer while the computer is working or while image data is being transferred between the CompactFlash Card and the computer (including operation such as opening and storing images), this will cause irreversible damage to the memory.

## If Windows 95 Explorer is opened



- Up to 50 images are stored in Ctgxxxx folder
- Image Data is displayed as Aut\_ xxxx.jpg file
- Thumbnail files are displayed as Thm\_ xxxx.jpg file (Contains no image data substance)
- Sub Directory (DC97)
- Identified as Removable Hard Disk

# Transferring Your Images (Windows 95)

## System Requirements:

- IBM PC/AT or compatible.
- Windows 95.
- 386SX CPU or higher. (486 recommended.)
- RAM: 16 MB on-board memory.
- 10 MB available hard disk space.
- 256 Color monitor or full color recommended (24bit per pixel or 16.7M color).
- CD-ROM drive (for installation).
- RS-232C serial port (D-Sub 9-pin). An adaptor is required for a D-Sub 25-pin.
- Mouse or other pointing device.

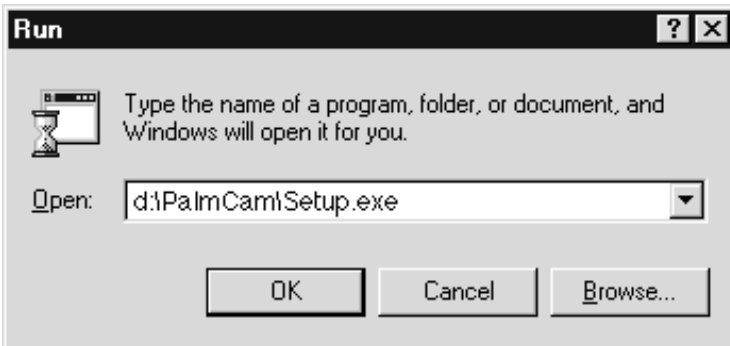
## Palmcam Camera Driver Installation

- 1** Turn on the PC (Personal Computer) and start up Windows.
- 2** Insert this disk into the CD-ROM drive.
- 3** Click the "Start" button and then click "Run"..



- 4** Type in "d:\PalmCam\Setup.exe" and then click OK.

Note: "d" Denotes the CD-ROM drive designation.



- 5** Follow the instructions as they appear on your PC screen.



# Transferring Your Images (Windows 95)

## Plug-in Driver for Adobe® PhotoDeluxe™ 2.0 Installation

- The Plug-in Driver, when installed, allows your camera to communicate directly with PhotoDeluxe 2.0.

### Note:

- Please install Adobe PhotoDeluxe 2.0 before installing this driver.
- For information on Adobe PhotoDeluxe, please call 206-628-5724  
Web Site : <http://www.adobe.com.supportservice/custsupport/main.html>

- 1** Turn on the PC (Personal Computer) and start up Windows.
- 2** Insert this disk into the CD-ROM drive.
- 3** Click the "Start" button and then click "Run".



- 4** Type in "d:\Plugin\Setup.exe" and click "OK".

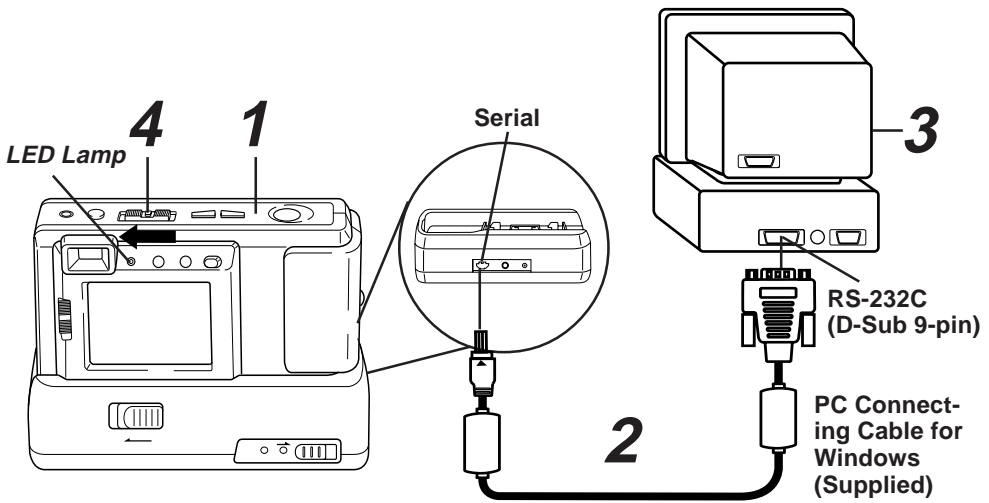
Note: "d" Denotes the CD-ROM drive designation.



- 5** When installation is completed, start up PhotoDeluxe2.0 and follow the instructions on how to transmit images.

Adobe and PhotoDeluxe are trademarks of Adobe Systems Incorporated.

# Transferring Your Images (Windows 95)



## Connection

**1** Insert the Digital Camera into the Digital Camera Station until it locks.

**2** Connect the Digital Camera Station to your PC (Windows) using the PC connecting cable (supplied) with the arrow mark facing downward.

**3** Turn on your PC.

**4** Set the Digital Camera POWER switch to PLAY.

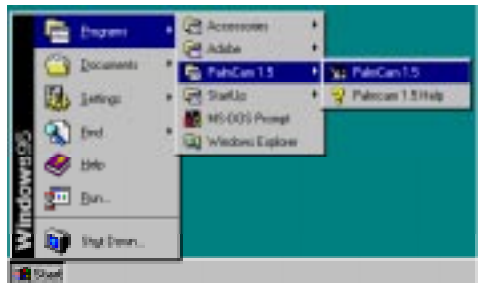
- The LED Lamp lights up.

### Note:

- For extended periods of use, it is recommended to use the AC Adaptor as a power source.
- While the PC communicates with the Digital Camera, the Digital Camera cannot be operated.

## Running the Application

**5** Select Programs/PalmCam1.5/ PalmCam1.5 from the Start Menu.



**6** Please read the Help information fully before operating the application.

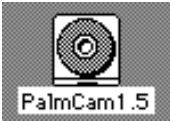
# Transferring Your Images (Macintosh)

## System Requirements:

- System 7.1 or later.
- 68030 CPU or higher, or Power Macintosh.
- 16 MB of RAM.
- 10MB available hard disk space.

## PalmCam Camera Driver Installation

- 1** Turn on the Macintosh.
- 2** Insert this disk into the CD-ROM drive.
- 3** Double click the CD-ROM icon.



- 4** Read the "Read Me" file.
- 5** Drag the "PalmCam 1.5 Folder" where you want to copy.



- 256 Color monitor or full color recommended (24bit per pixel or 16.7M color).
- CD-ROM drive (for installation).
- Modem port or printer port (RS-422).
- Mouse or other pointing device.

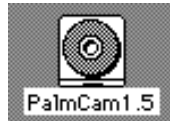
## Plug-in Driver for Adobe® PhotoDeluxe™ 2.0 Installation

- The Plug-in Driver, when installed, allows your camera to communicate directly with PhotoDeluxe 2.0.

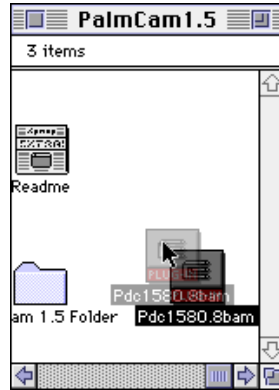
### Note:

- Please install Adobe PhotoDeluxe 2.0 before installing this driver.
- For information on Adobe PhotoDeluxe, please call 206-628-5724  
Web Site : <http://www.adobe.com.supportservice/custsupport/main.html>

- 1** Turn on the Macintosh.
- 2** Insert this disk into the CD-ROM drive.
- 3** Double click the CD-ROM icon.

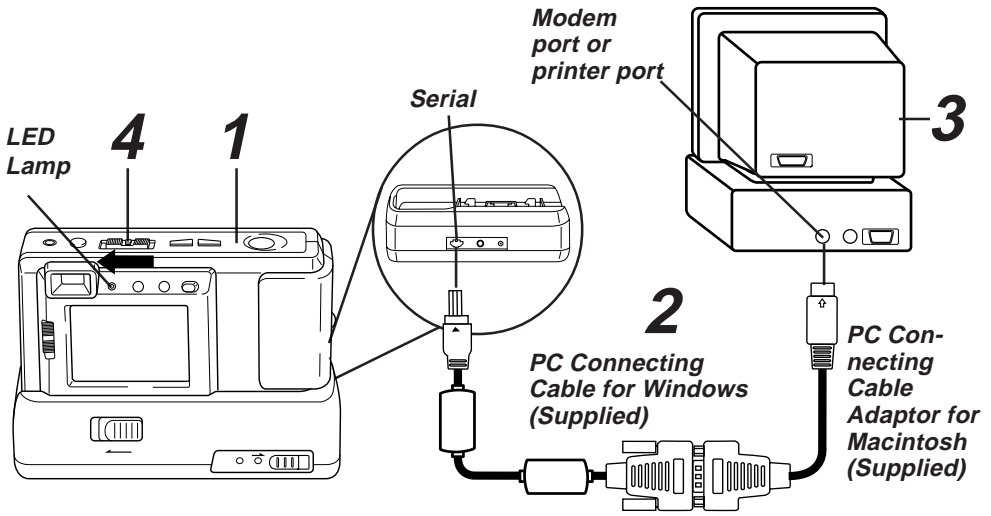


- 4** Drag the "Pdc1580.8bam" file to the "Plug-ins" folder of PhotoDeluxe.



- 5** When installation is completed, start up PhotoDeluxe 2.0 and follow the instructions on how to transmit images.

# Transferring Your Images (Macintosh)



## Connection

**1** Insert the Digital Camera into the Digital Camera Station until it locks.

**2** Connect the Digital Camera Station to your PC (Macintosh) using the PC connecting cable (supplied) and PC Connecting Cable Adaptor for Macintosh (supplied) with the arrow mark facing downward.

**3** Turn on your PC (Macintosh).

**4** Set the Digital Camera POWER switch to PLAY.

- The LED Lamp lights up.

## Running the Application

**5** Double click the PalmCam icon.



PalmCam

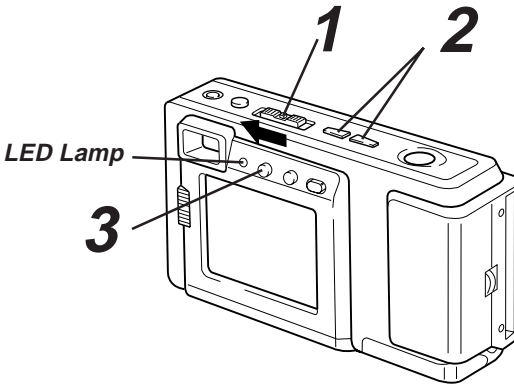
**6** Please read the Help file fully before operating the application.

### Note:

- For extended periods of use, it is recommended to use the AC Adaptor as a power source.
- While the PC communicates with the Digital Camera, the Digital Camera cannot be operated.

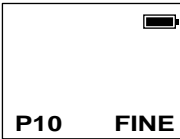
# Using the Digital Photo Printer

Images can be selected for print out on a digital photo printer (sold separately).



## Stamp Print Marker

**1** Set the **POWER** switch to **PLAY**.



- The LED Lamp lights up.

**2** Press **(+)** or **(-)** repeatedly to select the images you want to mark for printing.

- You can mark images in either Manual Playback Mode (see page 22), or Multi-Image Playback Mode (see page 24).

**3** Press **IRIS** to stamp a print mark on the image. A "●" mark will appear on the image.



- Press **IRIS** again to cancel the print mark.
- Hold **IRIS** for more than 5 seconds to delete all print marks.

## Printing on a Digital Photo Printer

**1** Remove the CompactFlash Card containing the captured images from the camera and insert it into the PCMCIA Adapter (see page 31).

**2** Connect the PCMCIA Adapter (included with printer) to the Digital Photo Printer\*.

- \*Requires a Digital Photo Printer PV-PD2000 (sold separately).
- Insert the adapter in the direction of the arrow and push the card fully into the printer.

**3** Turn on the printer and set the **INPUT SELECT (VIDEO/PC CARD)** Switch to the **PC CARD** position.

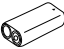
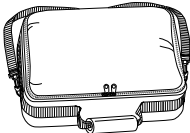
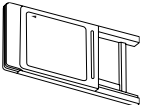

- The Printer access lamp will flash.

**4** Slide the **AUTO PRINT Lever**. Printing of print marked images begins.

- Please refer to the printer's operating instructions for detail on printing.
- Moving the **AUTO PRINT Lever** during the reading of the CompactFlash Card (**ACCESS Lamp** is flashing) may prevent proper printing of the images. Wait until the **ACCESS Lamp** turns off before moving the **AUTO PRINT Lever**.

# Digital Camera Accessory List

For ordering instructions, see the Accessory Order Form page.

Accessory #	Figure	Description	Price
PV-BPN10/1B		Battery Pack	\$24.95
PV-H100		System Soft Case (It carries the Digital Camera and all its supplied accessories.)	\$24.95
KXL-D55		PCMCIA Adapter	\$39.00
KXL-D51 (2MB) KXL-D52 (4MB)		CompactFlash Card	\$79.00 \$149.00

# Digital Camera Accessory Order Form

Please photocopy this form when placing an order.

1. Model # \_\_\_\_\_

2. Items Ordered

Accessory #	Description	Price Each	Quantity	Total Price
Subtotal				
Your State & Local Sales Tax				
Shipping & Handling				5.00
Total Enclosed				

3. Method of payment (check one)

- Check of Money Order enclosed (NO C.O.D.SHIPMENTS)
- VISA                      Credit Card # \_\_\_\_\_
- MasterCard              Expiration Date \_\_\_\_\_
- Discover                      Customer Signature \_\_\_\_\_

Make Check or Money Order to: MATSUSHITA ACCESSORIES

(Please do not send cash)

4. Shipping information (UPS delivery requires complete street address)

Ship To:

Mr.

Mrs.

Ms.

First \_\_\_\_\_ Last \_\_\_\_\_

Phone #:

Day (     ) \_\_\_\_\_

Street Address \_\_\_\_\_

Night (     ) \_\_\_\_\_

City \_\_\_\_\_ State \_\_\_\_\_ Zip \_\_\_\_\_

TO OBTAIN ANY OF OUR DIGITAL CAMERA ACCESSORIES YOU CAN DO ANY OF THE FOLLOWING:

VISIT YOUR LOCAL PANASONIC DEALER

OR

CALL PANASONIC'S ACCESSORY ORDER LINE AT 1-800-272-7033 [8:30 AM-8 PM M-F, EST]

OR

MAIL THIS ORDER TO: PANASONIC SERVICES COMPANY ACCESSORY ORDER OFFICE  
20421 84th Avenue South Kent, WA. 98032

# Before Requesting Service

---

If you have a problem with your Digital Camera, it may be something you can correct yourself.

Check the list below for symptoms and corrections.

Symptom	Correction
Cannot charge the Battery Pack.	<ul style="list-style-type: none"><li>• Make sure the rechargeable Ni-Cd Battery Pack is inserted. (p. 8)</li><li>• Make sure all necessary connections are correct and tight. (p. 9)</li></ul>
No power.	<ul style="list-style-type: none"><li>• Battery Pack is worn out. (p. 8)</li><li>• Make sure polarities are aligned properly. (p. 8)</li><li>• Make sure the rechargeable Ni-Cd Battery Pack is fully charged. (p. 9)</li></ul>
Power shuts off automatically.	<ul style="list-style-type: none"><li>• Auto shut off feature is on. Press SHTR (SHUTTER), or set the POWER switch to OFF and then set to REC. (p. 20)</li></ul>
Cannot capture the image.	<ul style="list-style-type: none"><li>• CompactFlash Card is not inserted. (p. 17)</li><li>• Make sure the POWER switch is set to REC. (p. 19)</li><li>• No memory. Delete some images before capturing images. (pp. 27, 28)</li></ul>
LCD Viewfinder image is too bright or dark.	<ul style="list-style-type: none"><li>• Make sure the LCD Viewfinder brightness setting is adjusted. (p. 14)</li></ul>
Indication or image on the LCD Viewfinder is not focused.	<ul style="list-style-type: none"><li>• Make sure the NORMAL/MACRO1/MACRO2 switch is properly set. (p. 21)</li></ul>
Cannot playback.	<ul style="list-style-type: none"><li>• CompactFlash Card is not inserted. (p. 17)</li><li>• There are no images in the memory. (p. 22)</li><li>• Make sure the POWER switch is set to PLAY. (p. 22)</li></ul>
Auto Playback feature can not be performed.	<ul style="list-style-type: none"><li>• There is only one image in the memory.</li></ul>
No picture on the TV (if connected).	<ul style="list-style-type: none"><li>• Make sure all necessary connections are correct and tight. (p. 29)</li><li>• Make sure the TV is set to video input mode. (p. 29)</li></ul>



# Specifications

---

CCD	1/2.72 inch (9.34 mm) 1,079,000 Progressive Scan CCD (Approx. 800,000 pixels Usage)	
Lens	f=5.0 mm (equivalent to a 36 mm lens on a 35 mm still camera.)/F2.8	
Focus	Auto Focus with 2 Macro Position	
Focusing Area	Normal: 19.69 inch (0.5m)—∞/Macro: 5.51 inch (14cm)/10.63 inch (27cm) (approx)	
Iris	F2.8/F11	
Shutter Speed	1/4–1/2,000 sec.	
White Balance	Auto	
LCD Viewfinder	2.0 inch (50.8 mm) Po-Si TFT Color Liquid Crystal Display	
Memory	CompactFlash (CF) Card (8 MB)	
Image Size	1,024 × 768 pixels (Fine, Multi mode) 512 × 384 pixels (Normal, Zoom mode) 1,136 × 640 pixels (Wide mode)	
Image Storage	Approx. 40 images (Fine, Multi, Wide mode) Approx. 152 images (Normal, Zoom mode)	
Image Format	JPEG	
Digital Signal	Serial (via Digital Camera Station)	
Video Signal	NTSC Composite (via Digital Camera Station)	
Power Supply	Rechargeable Ni-Cd Battery/2 AA Alkaline Battery */ 2 AA Ni-Cd Battery/2 AA nickel-hydride Battery/AC Adaptor * For emergency use only and when taking pictures with LCD Viewfinder turned off.	
Power Consumption	Digital Camera	2.4V DC, 1.3A (Ni-Cd Battery) 3V DC, 1.1A (Alkaline Battery)
	AC Adaptor	Input: 120V AC 60Hz 7W
	Digital Camera Station	3V DC, 1.3A
Operating Temperature	32 – 104 °F/0 – 40 °C	
Operating Humidity	10 % – 75 %	
Weight	Digital Camera	7.4 oz approx./210g approx.
	AC Adaptor	5.3 oz approx./150 g approx.
	Digital Camera Station	3.9 oz approx./110 g approx.
	Detachable Flash	1.0 oz approx./30 g approx.
Dimensions	Digital Camera	4.31 (W) × 2.36 (H) × 1.75 (D) inch 109.5 (W) × 60 (H) × 44.5 (D) mm
	AC Adaptor	1.97 (W) × 2.83 (H) × 0.79 (D) inch 50 (W) × 72 (H) × 20 (D) mm
	Digital Camera Station	4.72 (W) × 1.32 (H) × 1.95 (D) inch 120 (W) × 33.5 (H) × 49.5 (D) mm
	Detachable Flash	0.98 (W) × 2.36 (H) × 1.14 (D) inch 25 (W) × 60 (H) × 29 (D) mm

Weight and dimensions shown are approximate.

Design and specifications are subject to change without notice.

# Warranty

**Panasonic Consumer Electronics Company, Division of Matsushita Electric Corporation of America**  
 One Panasonic Way Secaucus,  
 New Jersey 07094

**Panasonic Sales Company, Division of Matsushita Electric of Puerto Rico, Inc.**  
 Ave. 65 de Infantería. Km. 9.5  
 San Gabriel Industrial Park, Carolina, Puerto Rico 00985

## PANASONIC/QUASAR Video Products Limited Warranty

Panasonic Consumer Electronics Company or Panasonic Sales Company (collectively referred to as "the Warrantor") will repair this product with new or refurbished parts, free of charge, in the USA or Puerto Rico, in the event of a defect in materials or workmanship as follows (all time periods commence from the date of the original purchase):

PRODUCT	PARTS	LABOR
CAMCORDER	ONE (1) YEAR, EXCEPT CCD IMAGE SENSOR	NINETY (90) DAYS
DIGITAL CAMERA	CCD IMAGE SENSOR - SIX (6) MONTHS	NINETY (90) DAYS
VCR	ONE (1) YEAR	NINETY (90) DAYS
A/V MIXER	ONE (1) YEAR	NINETY (90) DAYS
MONITOR-VCR	ONE (1) YEAR, EXCEPT CRT CRT - TWO (2) YEARS	NINETY (90) DAYS CRT- NINETY (90) DAYS CUSTOMER PAYS ALL
LABOR CHARGES		AFTER 90 DAYS

**Monitor-VCR In-home or carry-in Service: 22" (diagonal) CRT / LCD and Larger**  
**Monitor-VCR Carry-in Service: 21" (diagonal) CRT / LCD and smaller**

Batteries (if included) - New rechargeable batteries in exchange for defective rechargeable batteries for ten (10) days. Non-rechargeable batteries are not warranted.

Tape (if included) - New video cassette tape in exchange for a defective video cassette tape for five (5) days.

In-home, carry-in or mail-in service, as applicable, in the USA can be obtained during the warranty period by contacting a Panasonic Services Company (PASC) Factory Servicenter listed in the Service Directory. Or call toll free 1-800-272-7033, to locate an authorized PASC Servicenter. Carry-in or mail-in service in Puerto Rico can be obtained during the warranty period by calling the Panasonic Sales Company telephone number listed in the Servicenter Directory.

This warranty is extended only to the original purchaser. A purchase receipt or other proof of the date of the original purchase is required before warranty service is rendered.

This warranty only covers failures due to defects in materials and workmanship which occur during normal use and does not cover normal maintenance, including, but not limited to, video and audio head cleaning. The warranty does not cover damage which occurs in shipment, or failures which are caused by products not supplied by the warrantor, or failures which result from accident, misuse, abuse, neglect, mishandling, misapplication, alteration, modification, faulty installation, set-up adjustments, improper antenna, inadequate signal pickup, maladjustment of consumer controls, improper operation, power line surge, improper voltage supply, lightning damage, commercial use such as hotel, office, restaurant, or other business or rental use of the product, or service by anyone other than a PASC Factory Servicenter or a PASC authorized Servicenter, or damage that is attributable to acts of God.

### LIMITS AND EXCLUSIONS

There are no express warranties except as listed above. THE WARRANTOR SHALL NOT BE LIABLE FOR INCIDENTAL OR CONSEQUENTIAL DAMAGES (INCLUDING, WITHOUT LIMITATION, DAMAGE TO TAPES) RESULTING FROM THE USE OF THIS PRODUCTS, OR ARISING OUT OF ANY BREACH OF THE WARRANTY. ALL EXPRESS AND IMPLIED WARRANTIES, INCLUDING THE WARRANTIES OF MERCHANTABILITY AND FITNESS FOR PARTICULAR PURPOSE, ARE LIMITED TO THE APPLICABLE WARRANTY PERIOD SET FORTH ABOVE. Some states do not allow the exclusion or limitation of incidental or consequential damages, or limitations on how long an implied warranty lasts, so the above exclusions or limitations may not apply to you.

This warranty gives you specific legal rights and you may also have other rights which vary from state to state.

If a problem with this product develops during or after the warranty period, you may contact your dealer or Servicenter. If the problem is not handled to your satisfaction, then write to the Customer Satisfaction Center at the Panasonic Consumer Electronics Company address above.

SERVICE CALLS WHICH DO NOT INVOLVE DEFECTIVE MATERIALS OR WORKMANSHIP AS DETERMINED BY THE WARRANTOR, IN ITS SOLE DISCRETION, ARE NOT COVERED. COSTS OF SUCH SERVICE CALLS ARE THE RESPONSIBILITY OF THE PURCHASER.

warvid 10/20/97

# Servicenter Directory

For Product Information, operating Assistance, Literature Request, Dealer Locations, and all Customer Service inquiries please contact:

**800-272-7033, Monday-Friday 8:30am-8pm EST.**

**Web Site: <http://WWW.Panasonic.com>**

You can purchase parts, accessories or locate your nearest servicenter by visiting our Web Site.

## Product Repairs

### Centralized Factory Servicenter

MAIL TO : Panasonic Services Company  
1705 N. Randall Road,  
Elgin, IL 60123-7847  
Attention: Digital Camera Repair

Please carefully pack and ship, prepaid and insured, to the Elgin centralized repair Factory Servicenter. While there will be added handling delays, you may bring your unit to one of the following locations who will then forward the unit to Elgin for repair.

Customer's in Puerto Rico, please ship or carry in to location below ("Service in Puerto Rico").

## Factory Servicenter Locations

### CALIFORNIA

6550 Katella Avenue  
Cypress, CA 90630

800 Dubuque Avenue  
S. San Francisco,  
CA 94080

20201 Sherman Way  
Suite 102  
Canoga Park, CA 91306

3878 Ruffin Road  
Suite A  
San Diego, CA 92123

### COLORADO

1640 South Abilene  
Street Suite D  
Aurora, CO 80012

### FLORIDA

3700 North 29th Avenue  
Suite 102  
Hollywood, FL 33020

### GEORGIA

8655 Roswell Road  
Suite 100  
Atlanta, GA 30350

### ILLINOIS

1703 North Randall Road  
Elgin, IL 60123  
(Pick-up / Drop-off only)

9060 Golf Road  
Niles, IL 60714

### MARYLAND

62 Mountain Road  
Glen Burnie MD 21061

### MASSACHUSETTS

60 Glacier Drive,  
Suite G  
Westwood, MA 02090

### MICHIGAN

37048 Van Dyke Avenue  
Sterling Heights, MI  
48312

### MINNESOTA

7850-12th Avenue South  
Airport Business Center  
Bloomington, MN 55425

### OHIO

2236 Waycross Road  
Civic Center Plaza  
Forest Park, OH 45240

### PENNSYLVANIA

2221 Cabot Blvd. West  
Suite B  
Langhorne, PA 19047

Chartiers Valley  
Shopping Center  
1025 Washington Pike  
Bridgeville, PA 15017

### TENNESSEE

919-8th Avenue South  
Nashville, TN 37203

### TEXAS

7482 Harwin Drive  
Houston, TX 77036

13615 Welch Road  
Suite 101  
Farmers Branch,  
TX 75244

### WASHINGTON

20425-84th Avenue  
South  
Kent, WA 98032

### HAWAII

99-859 Iwaiwa Street  
Aiea, Hawaii 96701  
Phone (808) 488-1996  
Fax (808) 486-4369

## Service in Puerto Rico

Matsushita Electric of Puerto Rico, Inc. Panasonic Sales Company/ Factory Servicenter:  
Ave. 65 de Infantería. Km. 9.5 San Gabriel Industrial Park Carolina, Puerto Rico 00985  
Phone (787) 750-4300 Fax (787) 768-2910

## Accessory Purchases:

Customer Orders Only 800-272-7033

As of October '97

# Index

---

<b>A</b>		<b>M</b>	
AC Adaptor	2, 6, 9, 10	MODE (Image Resolution)	18
Accessory (optional)	38, 39	<b>O</b>	
Auto Playback	23	On Screen Display (OSD)	16
Auto Power Off	20	OSD Off Mode	16
<b>B</b>		<b>P</b>	
Battery Pack	2, 8, 9, 38	Playback	22, 23, 24, 25, 26
Battery Remaining Indication	16	POWER Lamp (Digital Camera Station)	9, 10
Brightness (LCD Viewfinder)	14	<b>S</b>	
<b>C</b>		Setting the Clock	11
Capturing Close-up Images (macro)	21	Soft Carrying Case	2, 7
Capturing Images	18, 19, 20	Specifications	41
Charging Battery Pack	9	Symptom/Correction	40
CompactFlash Card	2, 17, 31, 37, 38	<b>T</b>	
<b>D</b>		Transferring Images	30, 32, 33, 34, 35, 36
Detachable Flash	2, 7, 12, 13	<b>V</b>	
<b>H</b>		Video Cable	2, 29, 30
Hand Strap	2, 7	<b>W</b>	
<b>I</b>		Warranty	42, 43
Iris	15		
<b>L</b>			
LIGHT Indication	16		

---

**Panasonic Consumer Electronics  
Company, Division of Matsushita  
Electric Corporation of America**

One Panasonic Way Secaucus,  
New Jersey 07094

**Panasonic Sales Company,  
Division of Matsushita Electric of  
Puerto Rico, Inc. ("PSC")**

Ave. 65 de Infantería, Km. 9.5  
San Gabriel Industrial Park  
Carolina, Puerto Rico 00985

Printed in Japan

LSQT0085 (B) 1998

Download from [Www.Somanuals.com](http://Www.Somanuals.com). All Manuals Search And Download.

## Free Manuals Download Website

<http://myh66.com>

<http://usermanuals.us>

<http://www.somanuals.com>

<http://www.4manuals.cc>

<http://www.manual-lib.com>

<http://www.404manual.com>

<http://www.luxmanual.com>

<http://aubethermostatmanual.com>

Golf course search by state

<http://golfingnear.com>

Email search by domain

<http://emailbydomain.com>

Auto manuals search

<http://auto.somanuals.com>

TV manuals search

<http://tv.somanuals.com>