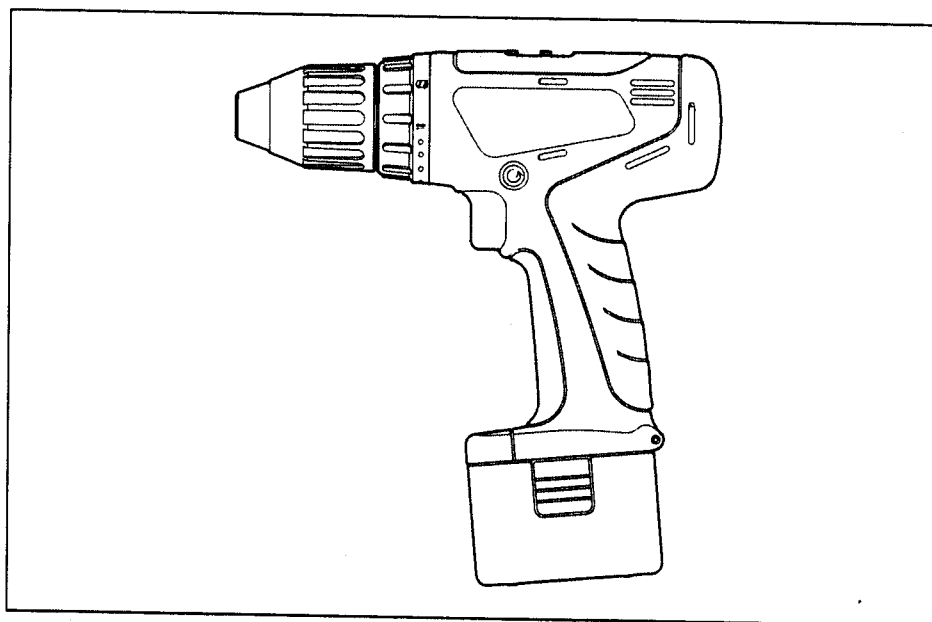


**Instruction Manual
Betriebsanleitung
Manuel d'instructions
Manuale delle istruzioni
Handleiding
Manual de instrucciones
Brugervejledning
Bruksanvisning
Brukerveiledning
Käyttöohje**

**Cordless Drill & Driver
Akku-Bohrschrauber
Perceuse et tournevis sur batterie
Trapano e cacciavite senza filo
Draadloze boor en schroevendraaier
Taladro y destornillador sin cable eléctrico
Ledningsfri bor og skrutrækker
Laddningsbar borr/skruvdragare
Oppladbar drill og skrutrekker
Ladattava porakone/ruuvinväännin**

EY6405/EY6409/EY6432



Panasonic ®

Before operating this unit, please read these instructions completely and save this manual for future use.

Vor Inbetriebnahme des Gerätes, die Betriebsanleitung bitte gründlich durchlesen und diese Broschüre zum späteren Nachschlagen sorgfältig aufbewahren.
Lire entièrement les instructions suivantes avant de faire fonctionner l'appareil et conserver ce mode d'emploi à des fins de consultation ultérieure.

Prima di usare questa unità, leggere completamente queste istruzioni e conservare il manuale per usi futuri.

Lees deze gebruiksaanwijzing aandachtig door voor u het apparaat in gebruik neemt en bewaar de gebruiksaanwijzing voor eventuele naslag.

Antes de usar este aparato por primera vez, lea todas las instrucciones de este manual y guarde el manual para poderlo consultar en el futuro.

Gennemlæs denne betjeningsvejledning før brugen og gem den til fremtidig brug.

Läs igenom hela bruksanvisningen innan strålkastaren tas i bruk. Spara bruksanvisningen för senare användning.

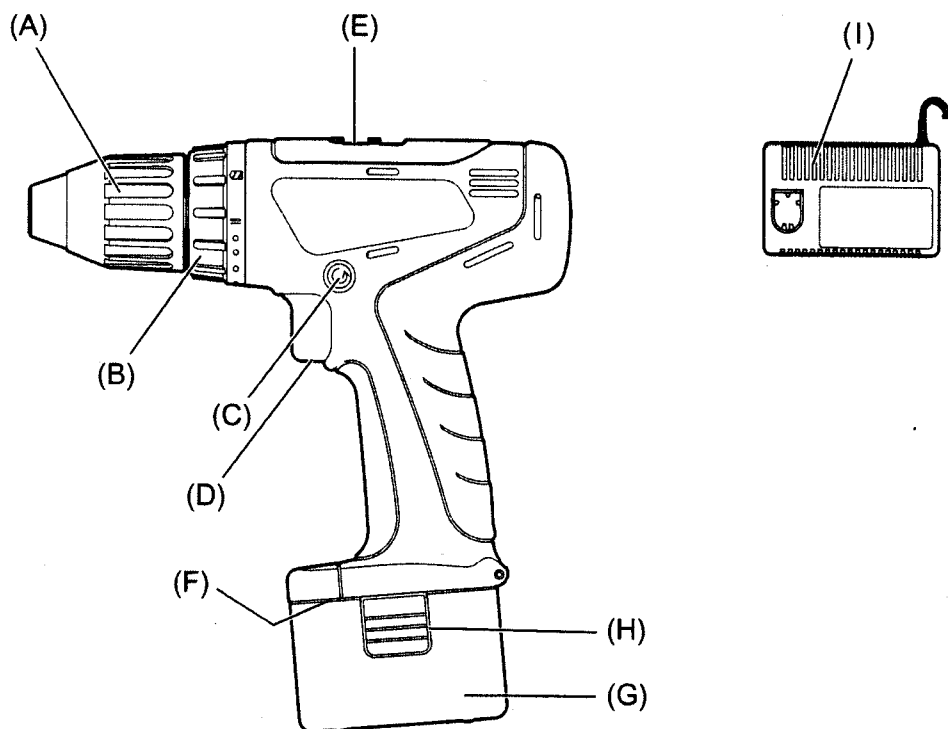
Før enheten tas i bruk, vennligst les disse alle anvisningene og oppbevar deretter bruksanvisningen for senere bruk.

Lue ohjeet huolella ennen laitteen käyttöönottoa ja säilytä tämä käyttöohje tallessa tulevaa tarvetta varten.

Index/Hinweise/Index/Indice/Index/Indice/Indeks/Index/Indeks/Hakemisto

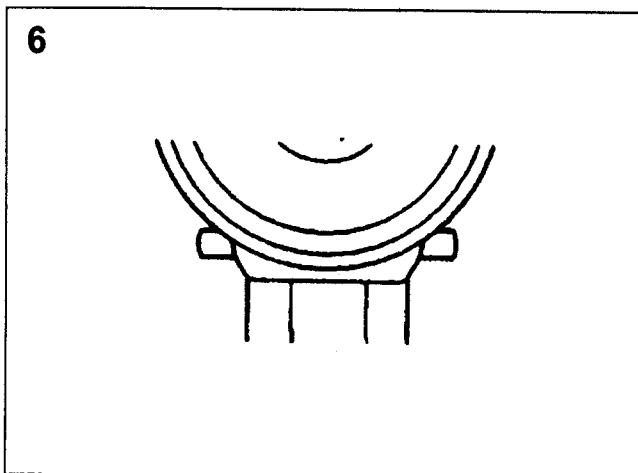
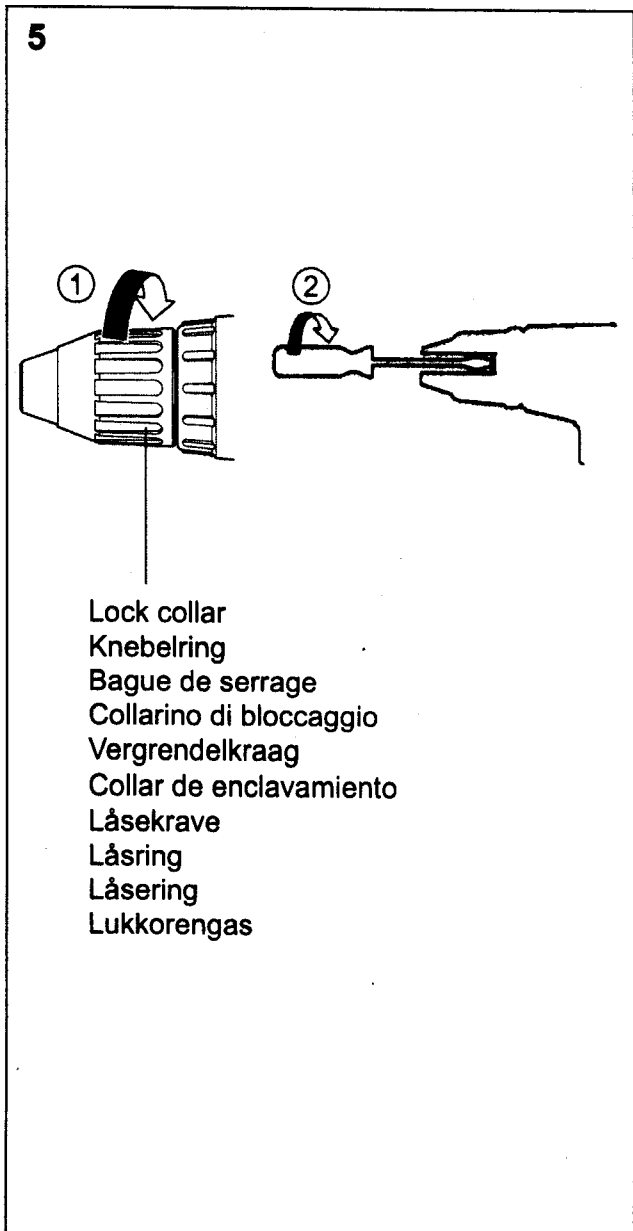
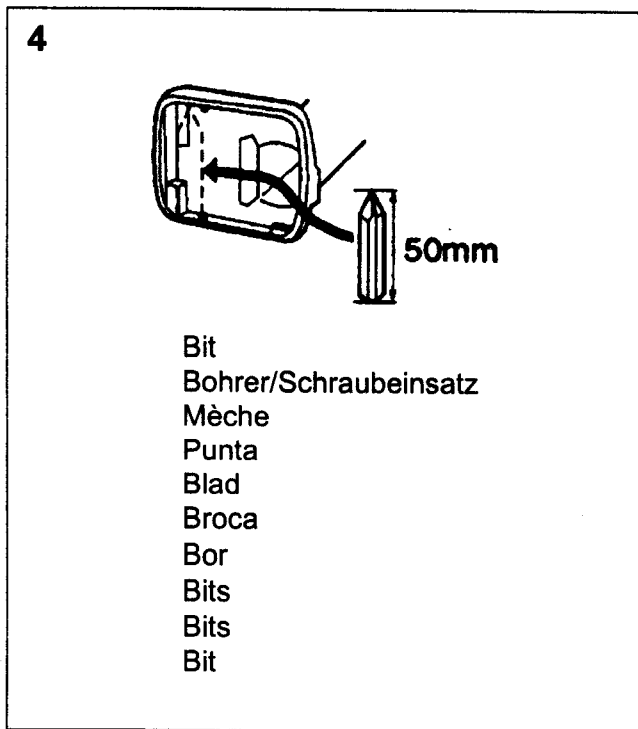
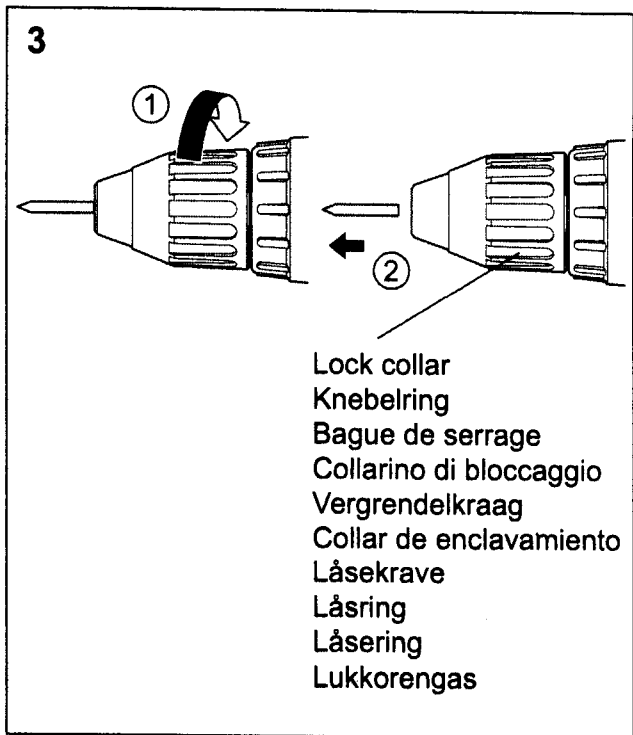
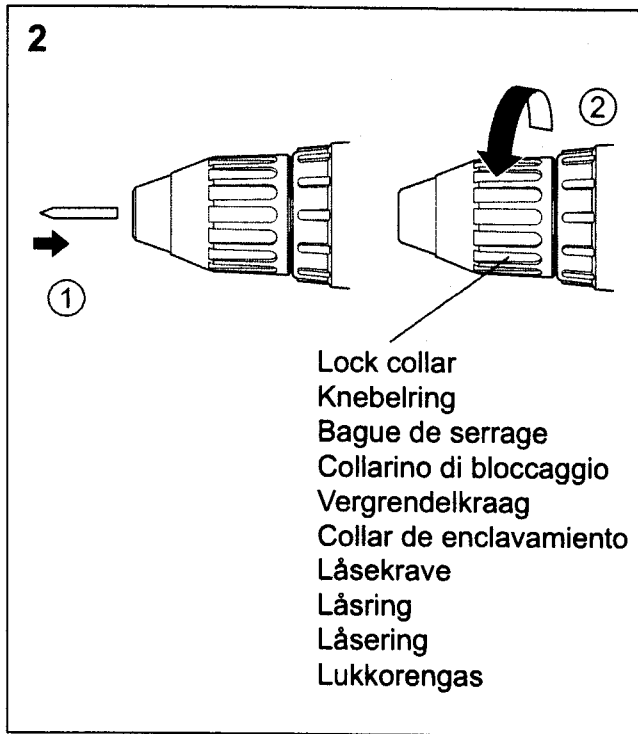
English:	Page	6
Deutsch:	Seite	12
Français:	Page	16
Italiano:	Pagina	20
Nederlands:	Badzijde	24
Español:	Página	28
Dansk:	Side	32
Svenska:	Sid	36
Norsk:	Side	40
Suomi:	Sivu	44

1 FUNCTIONAL DESCRIPTION FUNKTIONSBESCHREIBUNG DESCRIPTION DES FONCTIONS DESCRIZIONE DELLE FUNZIONI FUNCTIEBESCHRIJVING DESCRIPCIÓN FUNCIONAL BESKRIVELSE AF FUNKTIONERNE FUNKTIONSBESKRIVNING FUNKSJONSBESKRIVELSE TOIMINTAKUVAUS

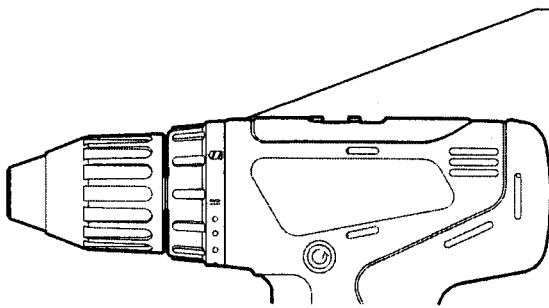


- ※ EY6405 is referred for illustration.
- ※ Zur Illustration wird auf EY6405 Bezug genommen.
- ※ Le modèle EY6405 est montré à titre d'exemple.
- ※ Ci si riferisce a EY6405 per l'illustrazione.
- ※ De EY6405 dient ter illustratie.
- ※ Se remite al EY6405 como ilustración.
- ※ Der henvises til EY6405 som illustration.
- ※ Modell EY6405 visas på bilderna.
- ※ Illustrasjonen viser EY6405.
- ※ EY6405 viittaa kuvaan.

(A)	<p>Keyless drill chuck Schlüsselreies Bohrfutter Mandrin de perçage sans clé Mandrino senza chiave Sleuteloze boorkop Portabrocas de apriete sin llave Nøgleløs borepatron Snabbchuck Nøkkelfri chuck Pikaistukka</p>	(F)	<p>Bit holder Einsatzhalter Porte-mèche Portapunta Bithouder Portabrocas Bitholder Borrspets hållare Bitsholder Terän pidin</p>
(B)	<p>Clutch handle Kupplungskranz Embrayage Manico della frizione Koppelhendel Empuñadura del embrague Koblingshåndtag Momentinställning Momentvelger Momentinsäädin</p>	(G)	<p>Battery pack (EY9106/EY9200/EY9201/EY9136/EY9230/EY9231) Akkupack (EY9106/EY9200/EY9201/EY9136/EY9230/EY9231) Batterie (EY9106/EY9200/EY9201/EY9136/EY9230/EY9231) Pacco batteria (EY9106/EY9200/EY9201/EY9136/EY9230/EY9231) Accu (EY9106/EY9200/EY9201/EY9136/EY9230/EY9231) Bloque de pilas (EY9106/EY9200/EY9201/EY9136/EY9230/EY9231) Batteri (EY9106/EY9200/EY9201/EY9136/EY9230/EY9231) Batteri (EY9106/EY9200/EY9201/EY9136/EY9230/EY9231) Batteri-pakke (EY9106/EY9200/EY9201/EY9136/EY9230/EY9231) Akku (EY9106/EY9200/EY9201/EY9136/EY9230/EY9231)</p>
(C)	<p>Forward/Reverse lever Vorwärts/Rückwärts-Hebel Lever d'inversion marche avant – marche arrière Leva di avanzamento/inversione Voorwaarts/achterwaarts-hendel Palanca de avance/inversión Greb til forlæns/baglæns retning Riktningssomkopplare Forover/Revers bryter Eteenpäin/taaksepäin vipu</p>	(H)	<p>Battery pack release button Akkupack-Entriegelungsknopf Bouton de libération de batterie Tasto di rilascio blocco batteria Accu-ontgrendeltoets Botón de liberación de la batería recargable Udløserknap til batteripakning Batteriets låsknapper Batteriets utløserknapper Akkupaketin irrotuspainikeet</p>
(D)	<p>Variable speed control trigger Betriebsschalter Gâchette de commande de vitesse Grilletto di controllo velocità variabile Startschakelaar variabele snelheid Disparador del control de velocidad variable Kontroludløser for variabel hastighed Steglös varvtalsreglerare Hovedbryter, trinnløs Nopeudensäätökytkin</p>	(I)	<p>Battery charger (EY0230) Ladegerät (EY0230) Chargeur de batterie (EY0230) Caricabatteria (EY0230) Acculader (EY0230) Cargador de batería (EY0230) Batterioplader (EY0230) Laddare (EY0230) Batteri-lader (EY0230) Latauslaite (EY0230)</p>
(E)	<p>Speed selector switch Bereichsschalter Sélecteur de vitesse de rotation Selettore di velocità Snelheidskeuzeschakelaar Conmutador selector de velocidad Hastighedsvælgeromskifter Varvtals omkopplare Gearvelger høy/lav Nopeusalueen valitsin</p>		



7

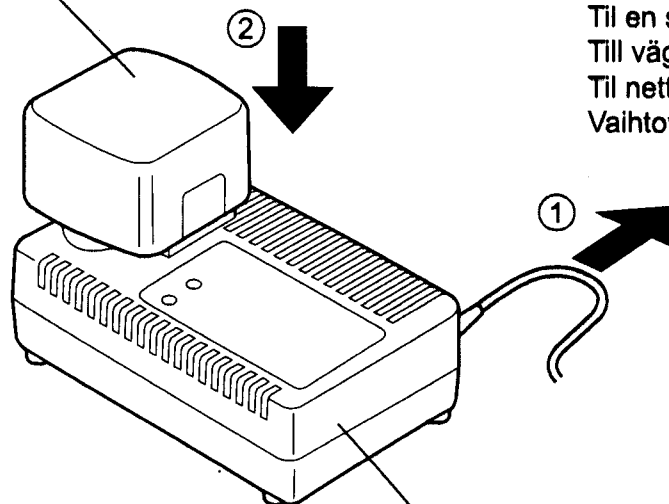


Set the scale at this mark
Die Skala an dieser Markierung einstellen.
Réglez l'échelle sur ce repère
Regolare la scala su questo segno
Stel de schaal op dit merkteken in.
Ajuste la escala en esta marca
Indstil skalaen på dette mærke.
Momentkraften ställs in mot märket.
Innstill skalaen mot dette punktet
Aseta haluttu momentti tämän merkin kohdalle.

8

Battery pack
Akkupack
Batterie
Pacco batteria
Accu
Bloque de pilas
Batteri
Batteri
Batteri
Akku

To AC outlet
An Wandsteckdose
Vers une prise secteur
Alla presa di rete
Naar stopkontakt
A la toma de la pared
Til en stikkontakt i lysnettet.
Till vägguttag
Til nettstrøm
Vaihtovirta



Battery charger
Ladegerät
Chargeur de batterie
Caricabatteria
Acculader
Cargador de batería
Batterioplader
Batteriladdare
Batterilader
Latauslaite

Read the Safety Instructions booklet and the following before using.

I. ADDITIONAL SAFETY RULES

- 1) Be aware that this tool is always in an operating condition, since it does not have to be plugged into an electrical outlet.
- 2) When drilling or driving into walls, floors, etc., "live" electrical wires may be encountered. **DO NOT TOUCH THE CHUCK OR ANY FRONT METAL PARTS OF THE TOOL!** Hold the tool only by the plastic handle to prevent electric shock in case you drill or drive into a "live" wire.
- 3) If the bit becomes jammed, immediately turn the main switch off to prevent an overload, which can damage the battery pack or motor. Use reverse motion to loosen jammed bits.
- 4) Do NOT operate the reversing lever and the main switch is on. The battery will discharge rapidly and damage to the unit may occur.
- 5) During charging, the charger may become slightly warm. This is normal. Do NOT charge the battery for a long period.
- 6) Use only a dry, soft cloth to wipe the unit. Do NOT use a damp cloth, thinner, benzene, or other volatile solvents for cleaning.
- 7) When storing or carrying the tool, set the reversing lever to the center position (switch lock).
- 8) Do not strain the tool by holding the speed control trigger halfway (speed control mode) so that the motor stops.
- 9) Do not operate the speed selector switch (LOW-HIGH) while pulling on the speed control trigger. This can cause the rechargeable battery to wear quickly or damage the internal mechanism of the motor.
- 10) The appliance is not intended for use by young children or infirm persons without supervision.
- 11) Young children should be supervised to ensure that they do not play with the appliance.

II. ASSEMBLY

Attaching or removing bit

Note: When attaching or removing a bit, be sure to set the Forward/Reverse lever to its center position (switch lock).

This tool is equipped with a keyless drill chuck.

- 1) **Attachment**
Insert the bit and turn the lock collar clockwise (looking from the front) to tighten. (Fig. 2)
- 2) **Removal**
Turn the lock collar counterclockwise (looking from the front), then remove the bit. (Fig. 3)
- 3) **Storage**
Keep the bit in bit holder when not in use. Remove the battery pack to expose the bit storage compartment inside the handle housing. Bits up to 50 mm (1-31/32 inch) long can be stored here. (Fig. 4)

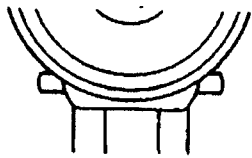
Note: If excessive play occurs in the chuck, secure the drill in place and ① open the chuck claws by turning the lock collar and ② tighten the screw (left-handed screw) with a screwdriver by turning it counterclockwise (viewed from the front). (Fig. 5)

Attaching or removing battery pack

1. To connect the battery pack:
Insert the battery pack. It snaps into place to indicate proper connection.
2. To remove the battery pack:
Press the two buttons on the sides of the battery pack. Slide the battery pack out of the tool body.

III. OPERATION

Switch and Forward / Reverse lever Operation



(Forward (→)), Switch lock, Reverse (←))

CAUTION: Do not operate Forward/Reverse lever until the chuck comes to a complete stop. Shifting during rotation of the chuck may damage the tool.

Forward Rotation Switch Operation

1. For forward rotation, set the lever to forward.
2. Depress the trigger switch slightly to start the tool slowly.
3. The speed increases with the amount of depression of the trigger for efficient tightening of screws and drilling. The brake operates and the chuck stops immediately when the trigger is released.
4. After use, set the lever to its center position (switch lock).

Reverse Rotation Switch Operation

1. For reverse rotation, set the lever to reverse. Check the direction of rotation before use.
2. Depress the trigger switch slightly to start the tool slowly.
3. After use, set the lever to its center position (switch lock).

Speed Selection

Choose a low or high speed to suit the use.

CAUTION: Check the speed selector switch before use.

Clutch Torque Setting

Adjust the torque to one of the 18 possible settings or "⚡" position to the job.

CAUTION: Test the setting before actual operation. Set the scale at this mark (◁). (Fig. 7)

Note: When the brake operates, a braking sound may be heard.

This sound indicates engagement of the bit lock.

CAUTION: • To eliminate excessive temperature increase of the tool surface, do not operate the tool continuously using two or more battery packs.

Tool needs cool off time before switching to another pack.

- Do not close up vent holes on body sides of the body during operation.

Otherwise, the machine function is adversely affected to cause a failure

- Do NOT strain the tool(motor). This may cause damage to the unit.
- Use the machine in such a way as to prevent the air from the body vent holes from blowing directly onto your skin. Otherwise, you may get burnt.
- When operating with a Ni-MH battery pack, make sure the place is well-ventilated.

For Appropriate use of Battery pack

Ni-MH Battery pack (EY9200/EY9201/EY9230/EY9231)

- Charge the Ni-MH battery fully before storage in order to ensure a longer service life.
- The ambient temperature range is between 0°C and 40°C.

If the battery pack is used when the battery temperature is below 0°C, the tool may fail to function properly. In that case, charge the battery until charging is completed for appropriate functioning of the battery.

Ni-Cd Battery pack (EY9106/EY9136)

- Nickel cadmium battery pack requires a "BREAK-IN PERIOD" to reach maximum operating capacity. The "BREAK-IN PERIOD" is accomplished during normal usage during the first 6-8 charge and discharge cycles of the battery pack.

After the "BREAK-IN PERIOD" is completed, the battery pack will maintain maximum operating capacity throughout the normal life of the battery pack.

Battery Pack Life

The rechargeable batteries have a limited life. If the operation time becomes extremely short after recharging, replace the battery pack with a new one.

Note: • Use under extremely hot or cold conditions will reduce operating capacity per charge.

- Battery pack EY9106, EY9136 contain Nickel-Cadmium batteries.

The batteries must be recycled or disposed of properly.

Charging

Note: When you charge the battery pack for the first time, or after prolonged storage, charge it for about 24 hours to bring the battery up to full capacity.

EY0230

1. Plug the charger into the AC outlet.
2. Insert the battery pack firmly into the charger. (Fig. 8)
3. During charging, the charging lamp will be lit. When charging is completed, an internal electronic switch will automatically be triggered to prevent overcharging.
 - Charging will not start if the battery pack is warm (for example, immediately after heavy-duty operation). The orange standby lamp will be lit until the battery cools down. Charging will then begin automatically.
4. When charging is completed, the charging lamp will start flashing rapidly.
5. When in any of the conditions that battery pack is too cool, or the battery pack has not been used for a long time, the charging lamp starts flashing slowly to indicate protective charging. Protective charging takes longer to fully charge the battery pack, than the stan-

ard charging time. (Max. charging time is approx. 90 minutes).

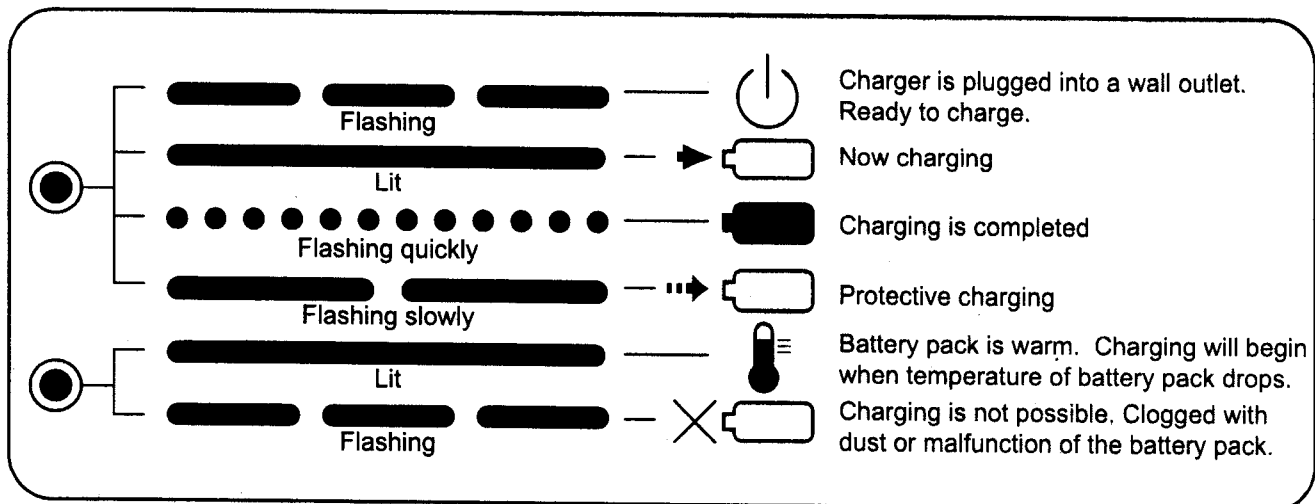
- If a fully charged battery pack is inserted into the charger again, the charging lamp may light up and then flash slowly. After several minutes, the charging lamp may flash quickly to indicate the charging is completed.

6. If the charging lamp does not light immediately after the charger is plugged in, or if after the standard charging time the lamp does not go off, consult an authorized dealer.

- Note:**
- When a cold battery (of about 5°C or less) is to be charged in a warm room, leave the battery in the room for at least one hour and charge it when it has warmed up to room temperature. (Failing to do so may result in less than a full charge.)
 - Cool down the charger when charging more than two battery packs consecutively.
 - Do not insert your fingers into contact hole, when holding charger or any other occasions.

- CAUTION:**
- Do not use power source from an engine generator.
 - Do not cover vent holes on the charger and the battery pack.

IV. LAMP INDICATIONS OF THE EY0230



V. ACCESSORIES

Use only bits suitable for size of drill's chuck.

MAXIMUM RECOMMENDED CAPACITIES

Model		EY6405	EY6409	EY6432
Screw driving	Machine screw	M5	M5	M6
	Wood screw	ø 6.8 mm (17/64")	ø 6.8 mm (17/64")	ø 8 mm (5/16")
	Self-drilling screw	ø 6 mm (15/64")	ø 6 mm (15/64")	ø 6 mm (15/64")
Drilling	For Wood	ø 27 mm (1-1/16")	ø 27 mm (1-1/16")	ø 36 mm (1-25/64")
	For Metal	ø 10 mm (3/8")	ø 13 mm (1/2")	ø 13 mm (1/2")

VI. SPECIFICATIONS

MAIN UNIT

Model		EY6405	EY6409		EY6432	
Motor		DC Motor 12 V			DC Motor 15.6 V	
No-load Speed	Low	400 / min (rpm.)			450 / min (rpm.)	
	High	1300 / min (rpm.)			1450 / min (rpm.)	
Chuck Capacity		0.5 mm ~ 10 mm (1/32" ~ 3/8")	1.0 mm ~ 13 mm (1/16" ~ 1/2")			
Max Torque	Low	22.5 Nm (230 kgf-cm, 199 in-lbs.)		31.9 Nm (325 kgf-cm, 282 in-lbs.)		
	High	6.3 Nm (65 kgf-cm, 56 in-lbs.)		8.8 Nm (90 kgf-cm, 78 in-lbs.)		
Clutch Torque		Approx. 1.0 Nm (10 kgf-cm, 8.7 in-lbs.) ~ 5.4 Nm (55 kgf-cm, 47.7 in-lbs.)		Approx. 1.0 Nm (10 kgf-cm, 8.7 in-lbs.) ~ 6.9 Nm (70 kgf-cm, 61 in-lbs.)		
Overall Length		202 mm (7-61/64")	208 mm (8-3/16")			
Weight (With Battery Pack)		1.7 kg (3.75 lbs.) with EY9106	1.8 kg (3.97 lbs.) with EY9200	1.9 kg (4.19 lbs.) with EY9201	2.0 kg (4.41 lbs.) with EY9230	2.2 kg (4.85 lbs.) with EY9231
					2.0 kg (4.41 lbs.) with EY9136	

BATTERY PACK

Model	EY9106	EY9200	EY9201	EY9230	EY9231	EY9136
Storage Battery	Ni-Cd Battery	Ni-MH Battery			Ni-Cd Battery	
Battery Voltage	12 V DC (1.2 V x 10 cells)			15.6 V DC (1.2 V x 13 cells)		

BATTERY CHARGER

Model	EY0230				
Weight	0.78 kg (1.72 lbs.)				
Charging Time	15.6 V	12 V	9.6 V	7.2 V	Standard Charging Time
	—	EY9001 EY9006	EY9080 EY9086	EY9065 EY9066	Approx. 20 min.
	—	EY9101	EY9180 EY9182	—	Approx. 25 min.
	EY9136	EY9106 EY9107	—	EY9168	Approx. 30 min.
	EY9230	EY9200	—	—	Approx. 45 min.
	EY9231	EY9201	—	—	Approx. 55 min.

Note: This chart may include models that are not available in your area.
Please refer to the catalogue.

ONLY FOR U. K.



VII. ELECTRICAL PLUG INFORMATION

FOR YOUR SAFETY PLEASE READ THE FOLLOWING TEXT CAREFULLY

This appliance is supplied with a moulded three pin mains plug for your safety and convenience.

A 3 amp fuse is fitted in this plug.

Should the fuse need to be replaced please ensure that the replacement fuse has a rating of 3 amp and that it is approved by ASTA or BSI to BS1362.

Check for the ASTA mark  or the BSI mark  on the body of the fuse.

If the plug contains a removable fuse cover you must ensure that it is refitted when the fuse is replaced.

If you lose the fuse cover the plug must not be used until a replacement cover is obtained.

A replacement fuse cover can be purchased from your local Panasonic Dealer.

IF THE FITTED MOULDED PLUG IS UNSUITABLE FOR THE SOCKET OUTLET IN YOUR HOME THEN THE FUSE SHOULD BE REMOVED AND THE PLUG CUT OFF AND DISPOSED OF SAFELY.

THERE IS A DANGER OF SEVERE ELECTRICAL SHOCK IF THE CUT OFF PLUG IS INSERTED INTO ANY 13 AMP SOCKET.

If a new plug is to be fitted please observe the wiring code as shown below.

If in any doubt please consult a qualified electrician.

IMPORTANT: The wires in this mains lead are coloured in accordance with the following code:


Blue: Neutral

Brown: Live

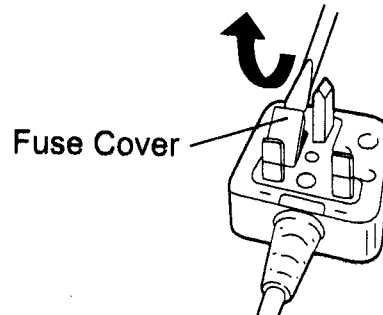
As the colours of the wire in the mains lead of this appliance may not correspond with the coloured markings identifying the terminals in your plug, proceed as follows.

The wire which is coloured BLUE must be connected to the terminal in the plug which is marked with the letter N or coloured BLACK.

The wire which is coloured BROWN must be connected to the terminal in the plug which is marked with the letter L or coloured RED.

Under no circumstances should either of these wires be connected to the earth terminal of the three pin plug, marked with the letter E or the Earth Symbol .

How to replace the fuse: Open the fuse compartment with a screwdriver and replace the fuse and fuse cover if it is removable.



This apparatus was produced to BS800.

- ✘ Nach Gebrauch der Verkaufsstelle zurückgeben.
- ✘ Après usage à rapporter au point de vente.
- ✘ Ritornale la pila usate al negozio.

Matsushita Electric Works, Ltd.
Osaka, Japan

No.1 EN. GN. FR. IT. ND. ES. DN. SW. NR. FN
EY971064051 H1406

Printed in Japan

Free Manuals Download Website

<http://myh66.com>

<http://usermanuals.us>

<http://www.somanuals.com>

<http://www.4manuals.cc>

<http://www.manual-lib.com>

<http://www.404manual.com>

<http://www.luxmanual.com>

<http://aubethermostatmanual.com>

Golf course search by state

<http://golfingnear.com>

Email search by domain

<http://emailbydomain.com>

Auto manuals search

<http://auto.somanuals.com>

TV manuals search

<http://tv.somanuals.com>