

OPERATING INSTRUCTIONS

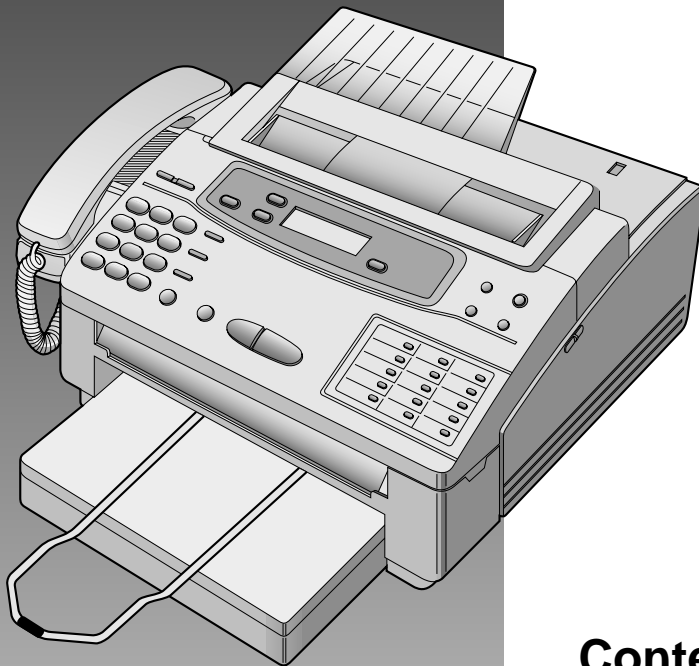
Panasonic

Plain Paper Facsimile

Model No. **KX-F1000AL**

Telephone Answering System
with Plain Paper Facsimile

Model No. **KX-F1100AL**



Pictured model KX-F1100AL

Please read these Operating Instructions before using the unit and save for future reference.

Contents

- Chapt 1. Installation and Connection*
- Chapt 2. Initial Preparation*
- Chapt 3. Making and Answering Voice Calls*
- Chapt 4. Transmitting and Receiving Fax Calls*
- Chapt 5. Operating the Answering Device
(KX-F1100AL only)*
- Chapt 6. Copier Function*
- Chapt 7. Automatic Dialing*
- Chapt 8. Advanced Operations*

Thank you for purchasing the Panasonic Plain Paper Facsimile.

Caution:

- Note that the images copied or received documents will remain on the used film. When disposing of the used film, use discretion.
- Do not rub the printed side or use an eraser on the printed side, as it may smear.
- The used film is not reusable. You can order a new film for replacement through the nearest Panasonic dealer.

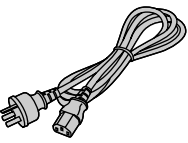


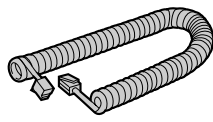

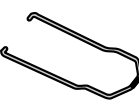
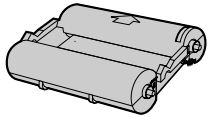
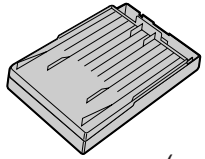
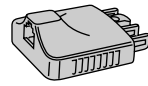
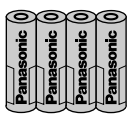
Warning

- When a failure occurs which results in the internal parts becoming accessible, disconnect the power supply cord immediately and return this unit to an authorized service center.
- Disconnect the Telecom connection before disconnecting power connection prior to relocating the equipment, and reconnect the power first.
- To minimize the possibility of lightning damage, when you know that a thunderstorm is coming, we recommend that you:
 - A. Unplug the telephone line cord from the phone jack.
 - B. Unplug the power supply cord from the AC power outlet.

For your future reference

Date of purchase _____	Serial No. _____ (found on the rear of the unit)
Dealer's name and address _____	
Dealer's telephone number _____	

Included accessories

Power cord . . . 1 pc.  (p. 8)	Telephone line cord 1 pc.  (p. 8)	Handset 1 pc.  (p. 8)	Handset cord 1 pc.  (p. 8)	Document feeder tray 1 pc.  (p. 6)
Document stacker 1 pc.  (p. 6)	Film cartridge 1 pc.  (pp. 4, 78) —The included film is 30 meters.	Paper cassette 1 pc.  (p. 5)	Telephone plug 1 pc.  (p. 8)	AA (R6, UM-3) size batteries (KX-F1100AL only) 4 pcs.  (p. 7)

- If any items are missing, check with place of purchase.
- Save the original carton and packaging.

Note:

Most figures in these operating instructions are drawn on the basis of KX-F1000AL.

© 1996 Kyushu Matsushita Electric Co., Ltd. All Rights Reserved.

Table of Contents

1. Installation and Connection

Installing the film cartridge	4
Installing the paper cassette	5
Installing the document stacker	6
Installing the document feeder tray	6
Installing the batteries (KX-F1100AL only)	7
Connections	8
Location of controls	9

2. Initial Preparation

Setting the date and time	12
Setting your logo	12
How to enter characters and symbols	13
Setting your facsimile telephone number	14
Adjusting volumes	14
Recording greeting messages (KX-F1100AL only)	15
Selecting the receive mode	16

3. Making and Answering Voice Calls

Making voice calls	17
Answering voice calls	17

4. Transmitting and Receiving Fax Calls

Transmitting documents	18
Manual reception	20
Automatic reception	20

5. Operating the Answering Device (KX-F1100AL only)

Setup of voice message and document reception	28
Listening to messages in common memory	29
Erasing recorded messages	30
Recording a memo message	30
Recording a telephone conversation	31
Setting the caller's recording time	32
Setting the message alert	32
Setting the recording time alert	33

6. Copier Function

Making a copy	34
---------------	----

7. Automatic Dialing

Storing Tel/Fax numbers	35
Making voice calls using automatic dialing	36
Transmitting documents using automatic dialing	36
Electronic telephone directory	37

8. Advanced Operations

Facsimile

Voice contact	38
Polling	39
Delayed transmission	40
Reserving transmission during fax reception	41
Printing a cover page	41
Remote fax receiving using an extension	42
Junk mail prohibitor	43
Receiving with distinctive ring service	44

Special settings

Logo print position	45
Overseas transmission mode	45
Copy reduction mode	46
Receiving reduction mode	47
Film/Paper save reception	48
Extension copy	49
Pager alert for fax reception	50

Special features for KX-F1100AL

Voice mailbox	51
Remote operation from a touch tone phone	56
Summary of remote operations	56
Programming the remote ANS ID	57
Listening to messages in common memory	57
Listening to messages in a mailbox	58
During playback	58
Erasing messages from memory	59
Other remote operations	59
Pager alert for incoming messages	61
Day/night mode	62

Others

Display contrast	63
Resetting the advanced features	63
TONE, RECALL and PAUSE buttons	64
Printing reports and lists	65
Summary of user programmable features	68

9. Troubleshooting and Routine Care

Error messages on the display	70
Before requesting help	71
Clearing a recording paper jam	74
Clearing a document jam	76
Cleaning the unit	77
Replacing the film or film cartridge	78

10. General Information

Important safety instructions	80
Accessory order information	82
Specifications	82
Telstra Telephone (Instructions to customer)	83
Index	84
Remote control card for KX-F1100AL	85
Speed dialer list	87

1

2

3

4

5

6

7

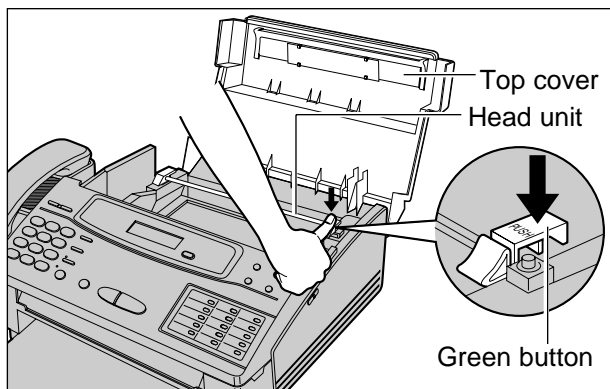
8

9

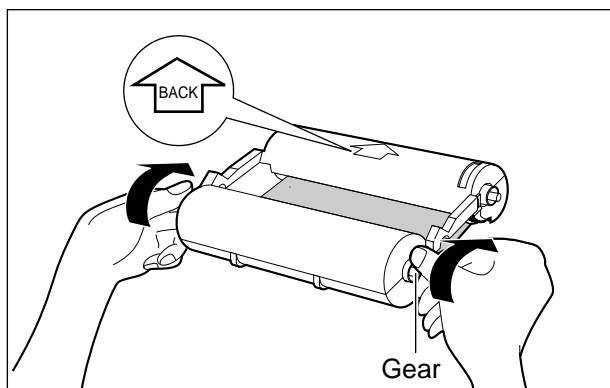
10

1. Installation and Connection

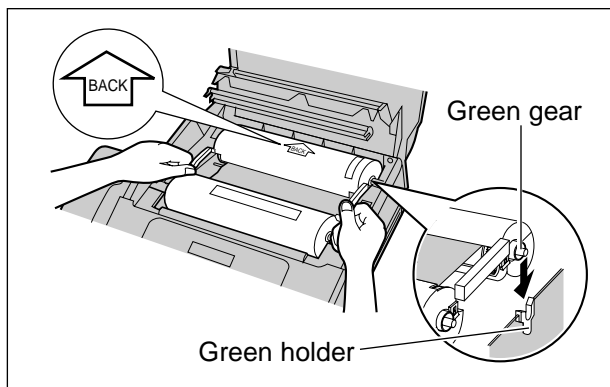
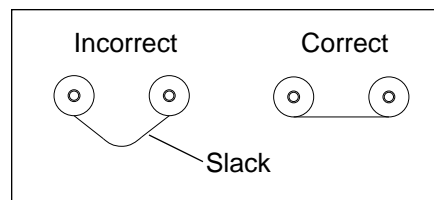
Installing the film cartridge



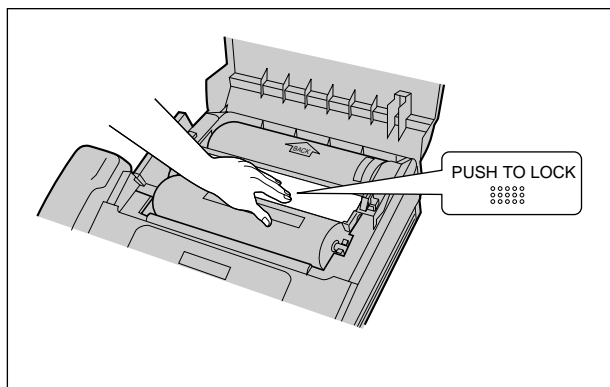
- 1 Open the top cover.
- 2 Press the green button on the right marked "PUSH" and lift up the head unit.



- 3 Place the cartridge with the "BACK" indicator facing up and tighten the film by winding the gears if there is slack.



- 4 Place the "BACK" side of the cartridge into the unit, by inserting the pins on the sides of the green gears into the green holders. Then lower the front of the cartridge into place.



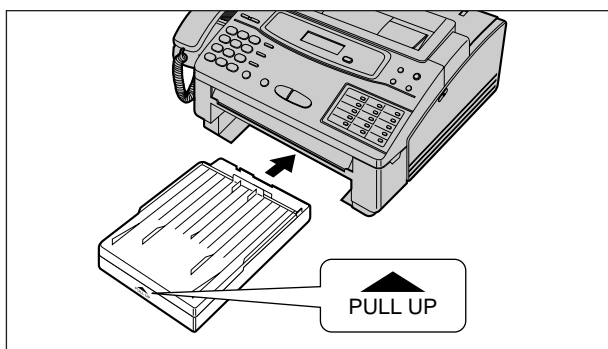
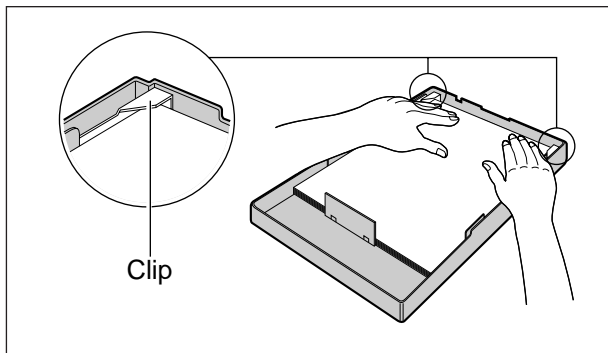
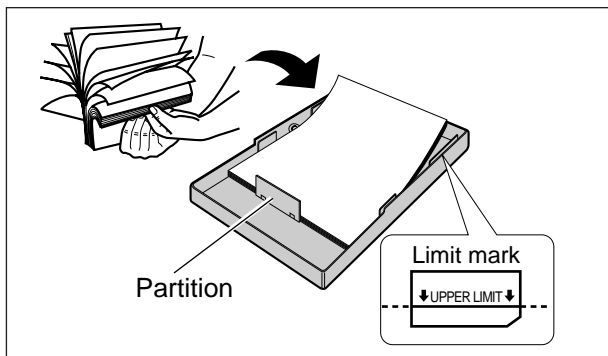
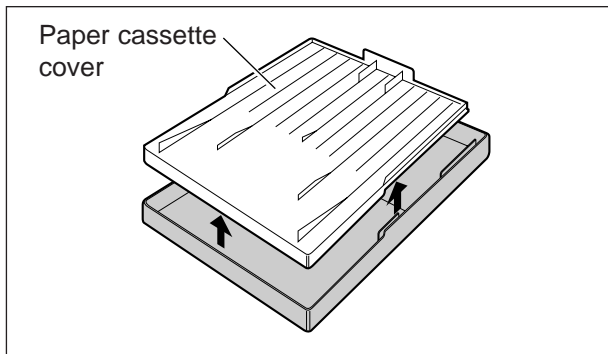
- 5 Press the head unit down firmly to lock in place.
- 6 Close the top cover securely by pushing down on both sides.

Note:

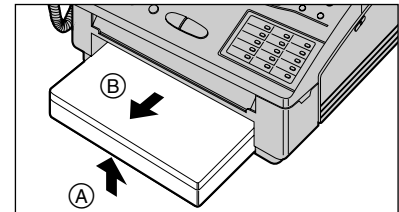
Because the length of the included film is 30 meters, it is recommended to purchase 200 meter length film for replacement soon. See page 82.

Installing the paper cassette

You can use A4 size paper. The paper cassette can hold up to 250 sheets of 75 g/m² (20 lb.) paper. Use 60 to 90 g/m² (16 to 24 lb.) paper.

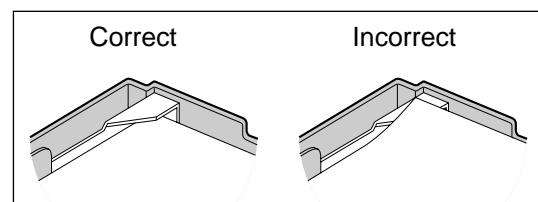


- 1 Open the paper cassette cover.
 - When removing the paper cassette from the unit, lift it up slightly (A) and pull it towards you (B).



- 2 Fan the stack of paper to avoid a paper jam.
- 3 Insert the paper by aligning the paper edges with the partition.
 - Most paper has instructions recommending the side to print on. Insert the paper with the print side down.
 - The height of the paper should not exceed the limit mark on the paper cassette or it may cause a paper jam.

- 4 Push down the opposite edges so they are secured under the clips.

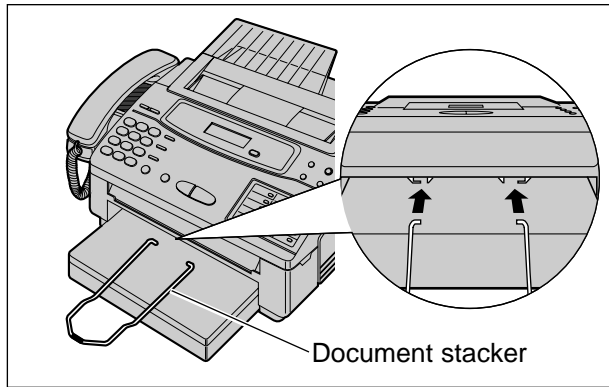


- 5 Close the paper cassette cover and insert the paper cassette into the unit until it clicks into place.

Note:

- Do not insert paper of different thickness into the cassette at same time. This may cause a paper jam.
- Avoid extremely smooth or shiny paper that is highly textured. Also avoid paper that is coated, damaged or wrinkled, or paper with a cotton and/or fiber content that is over 20%.
- Avoid used paper for double-sided printing.
- Do not use paper printed with this unit for double-sided printing with other copiers or printers, or a paper jam may occur.

Installing the document stacker



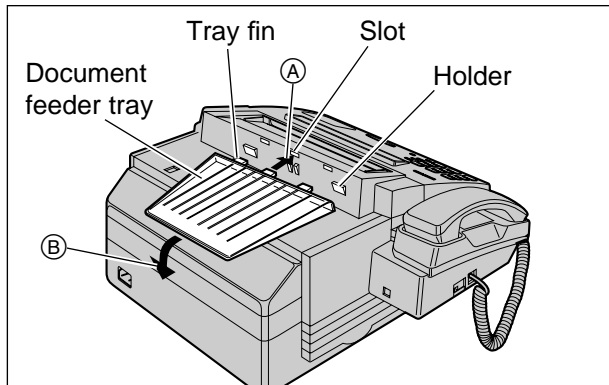
Insert the document stacker with the bent side facing up until it clicks into place.

Helpful hint:

To extend the document stacker, pull it towards you until it clicks into place.

To save space, slide the document stacker into the unit until it clicks into place.

Installing the document feeder tray

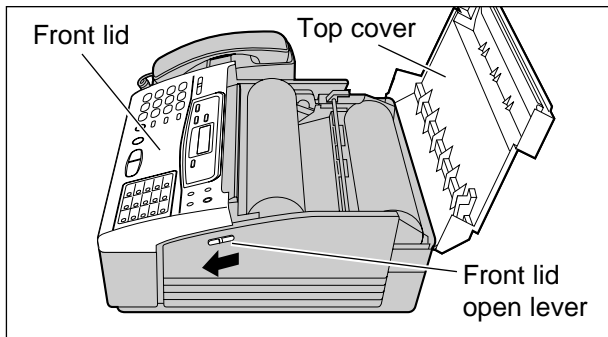


1 Insert the three tray fins into the slots of the unit (A).

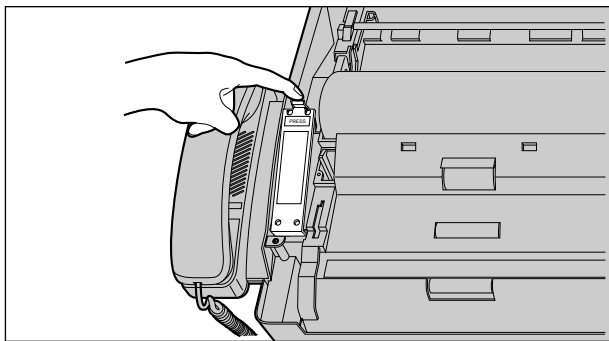
2 Press down the tray to place it on the two holders (B).

Installing the batteries (KX-F1100AL only)

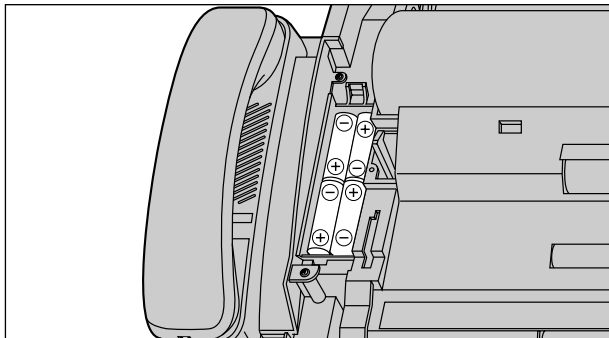
The batteries are required to retain greeting and incoming voice messages in memory when the power cord is disconnected or during a power failure. Install four AA batteries (supplied) before using the unit.



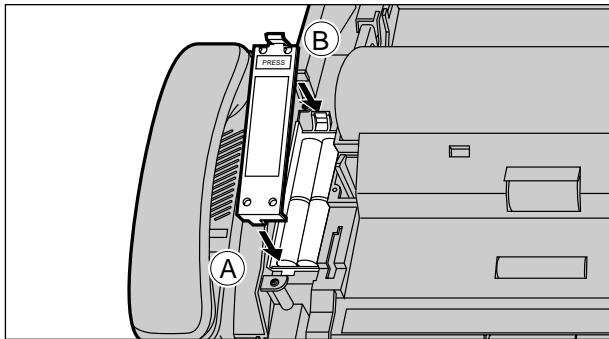
- 1 Open the top cover, then open the front lid by sliding the lever towards you.



- 2 Remove the battery compartment cover by pulling the hook towards you and lifting it up.



- 3 Install four batteries into the compartment using correct polarity (+, -).

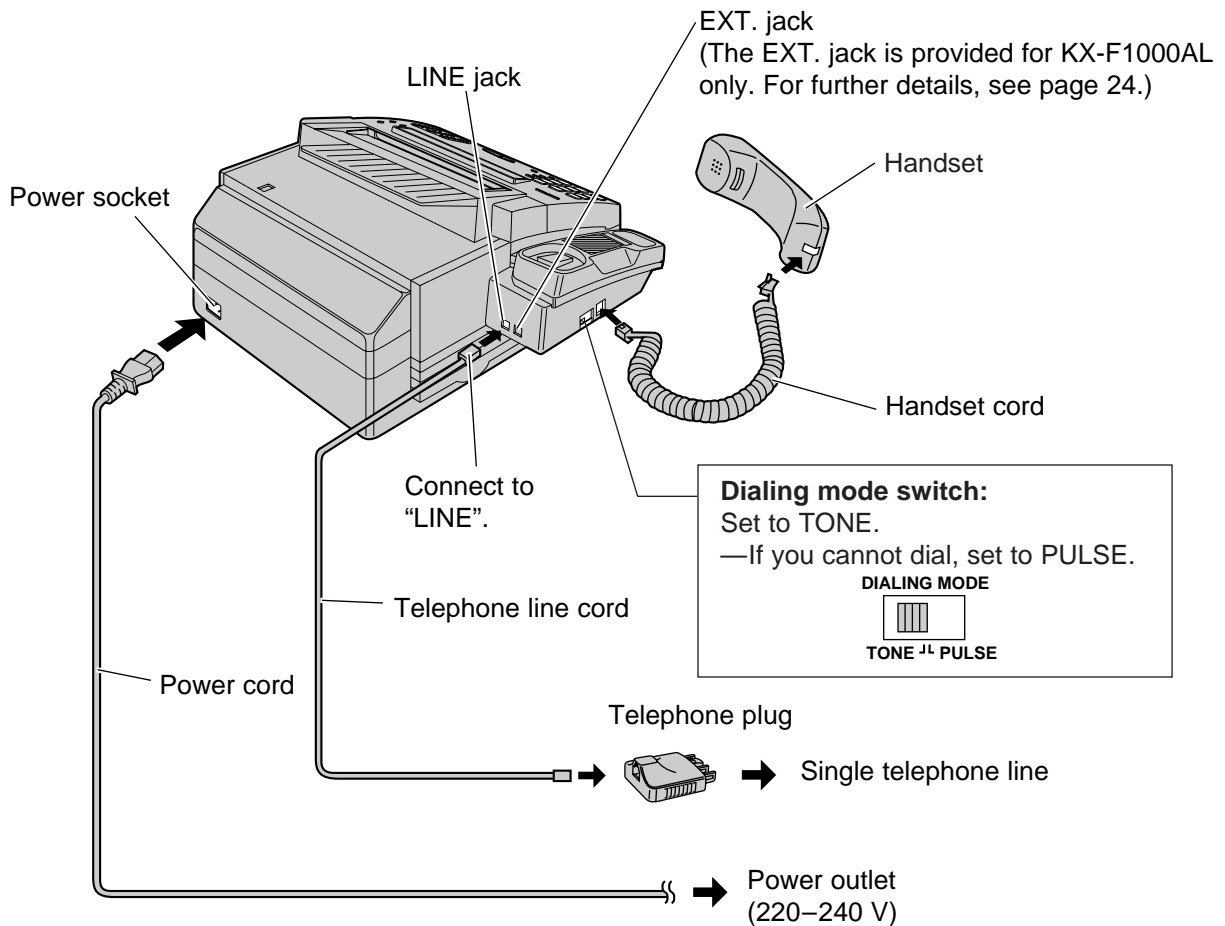


- 4 Replace the battery compartment cover by;
 - A Insert the tab of the cover into the hole.
 - B Press down the area marked "PRESS" until it clicks into place.
- 5 Close the front lid securely by pushing down on both sides, then close the top cover.

Note:

- Message retention time during a power failure is approximately 1 day with new batteries.
- Install new batteries when the display shows "BATTERY LOW".
- To avoid losing the greeting and all messages saved in memory, the power cord must remain connected when replacing batteries.
- Disconnect the telephone line cord before opening the battery compartment cover.
- Replace all the batteries once a year, or mis-operation may occur.
- For further information about batteries, see page 81.

Connections

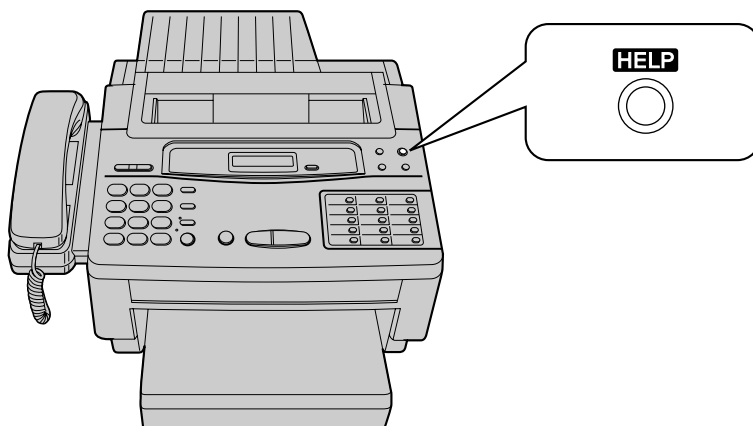


Note:

- We recommend the use of an exclusive power outlet to avoid interference from other equipment.
- When you operate this product, the power outlet should be near the product and easily accessible.
- The unit will not function during a power failure.
- When you use the KX-F1000AL, you cannot use an extension phone connected to the EXT. jack. When you have telephone conversations between the extension and the other party then you pick up the phone of the facsimile unit, the call is switched to the facsimile unit and the extension line is disconnected.

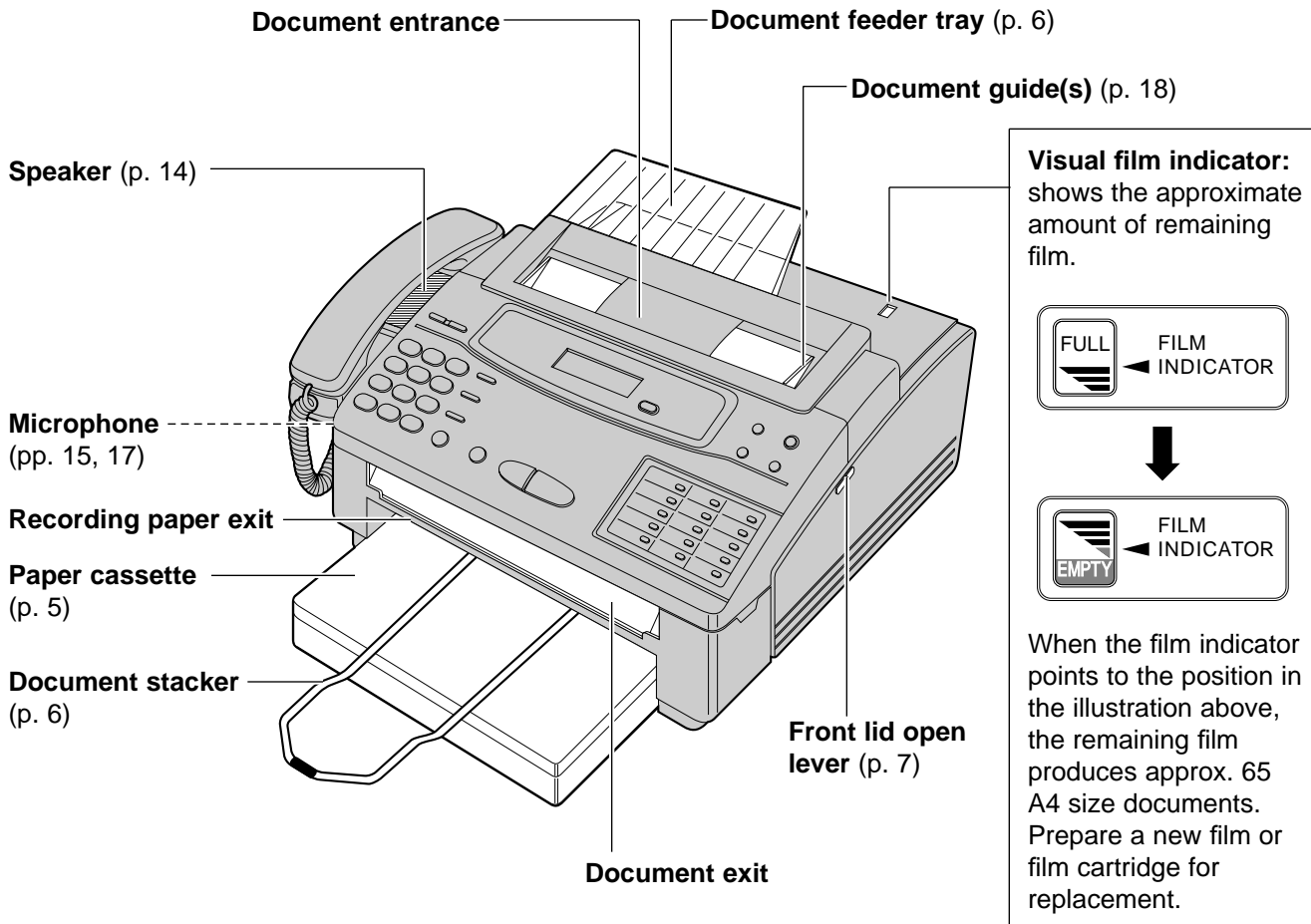
Helpful hint:

If assistance is needed, press **HELP**. The unit will print a quick reference.



Location of controls

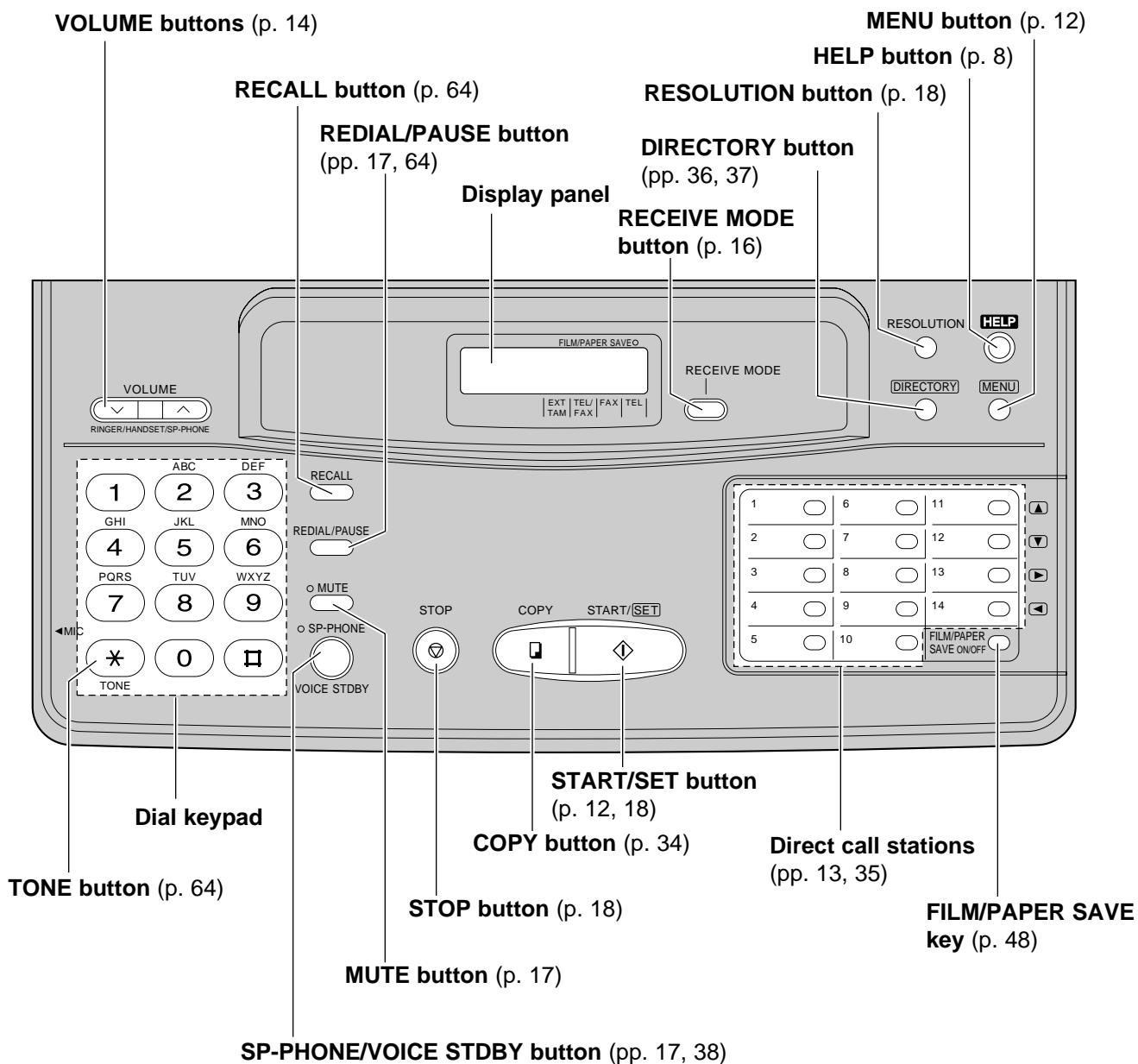
Front view



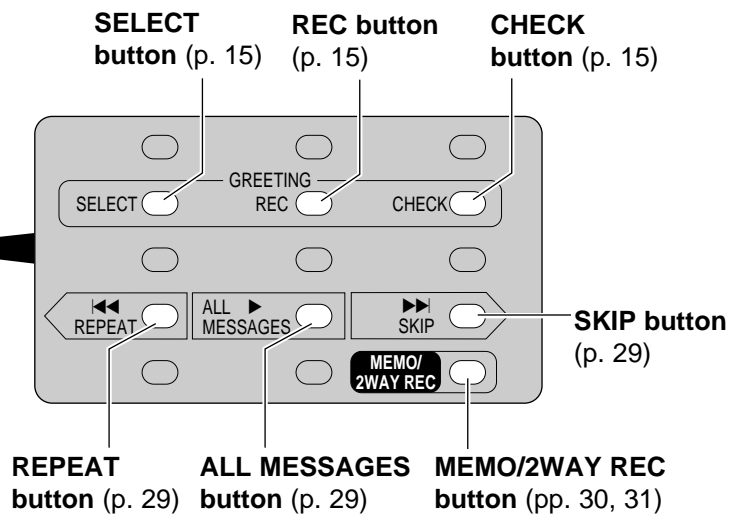
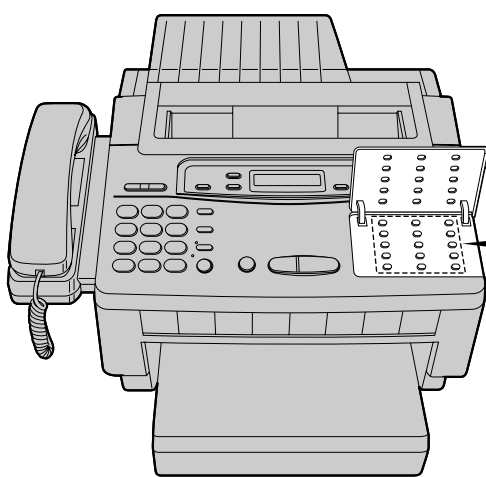
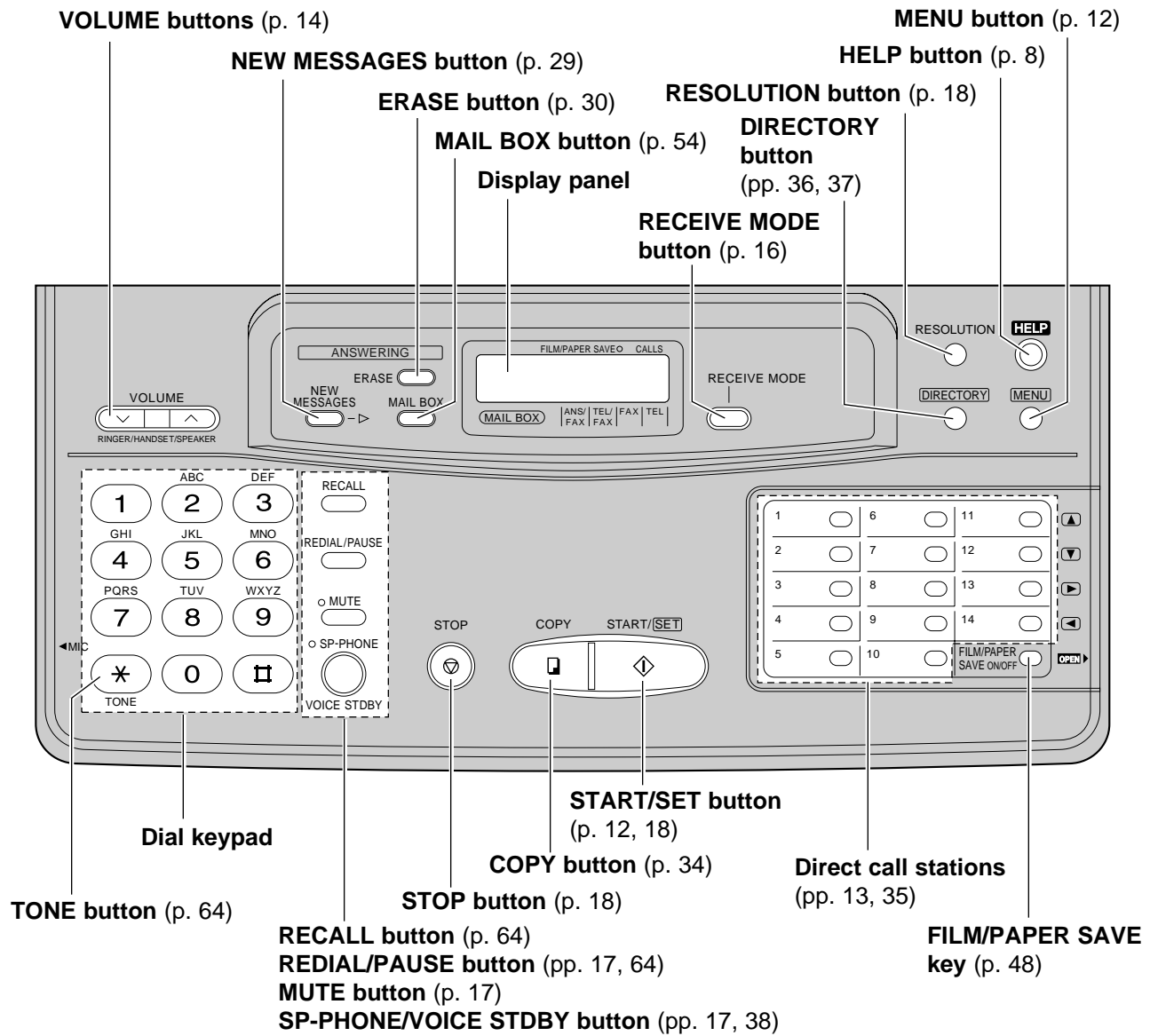
Note:

The visual film indicator will show "FULL" when a new 200 meter film is installed. When the included film cartridge (30 meter roll film) is installed, the indicator will not show "FULL".

Control panel (KX-F1000AL)



Control panel (KX-F1100AL)




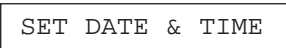
2. Initial Preparation

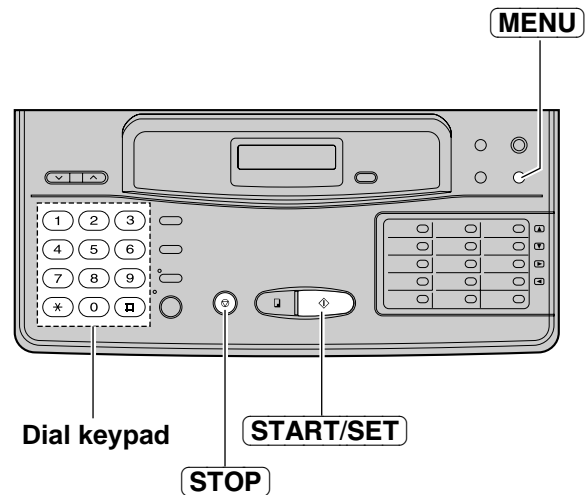
Before using your unit, program the following:

- Current date and time
- Your logo
- Your facsimile telephone number

This information will be printed on the top of each page transmitted from your unit.

Setting the date and time

- 1 Press **MENU**.

- 2 Press **#**, then **0** **1**.

- 3 Press **START/SET**.
- 4 Enter the correct month/day/year/hour/minute by selecting each 2 digits. Then press ***** for AM or press **#** for PM.
Example: Aug. 10 1996, 3:00PM
Press **0** **8** **1** **0** **9** **6** **0** **3** **0** **0**, then press **#** for PM.
- 5 Press **START/SET**.
- 6 Press **MENU**.



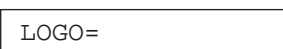


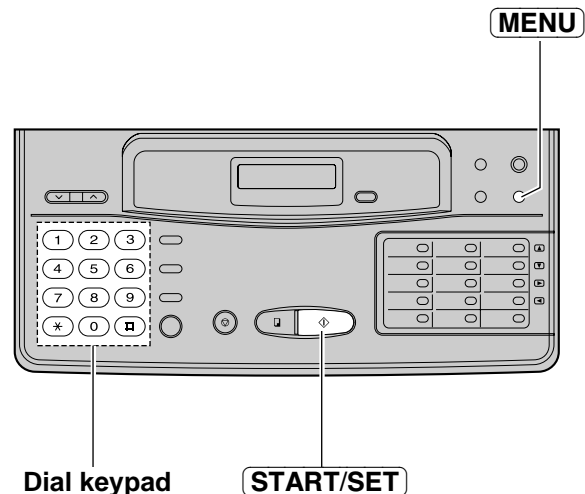
Note:

- When you make a mistake while programming, press **STOP** then make the corrections.
- The accuracy of the clock will be approximately ± 60 seconds a month.

Setting your logo







Usually the logo is a company, division or personal name in an abbreviated form.

- 1 Press **MENU**.

- 2 Press **#**, then **0** **2**.

- 3 Press **START/SET**.

- 4 Enter your logo up to 30 characters. (The preset logo will be cleared.)
 - Refer to the instructions on page 13.
- 5 Press **START/SET**.
- 6 Press **MENU**.



How to enter characters and symbols

The dial keypad and the direct call stations can be used as character input keys and command keys. Pressing **0–9** and **direct call station 1** will alternately select a character as shown below.

Keys	Number of times												
	1	2	3	4	5	6	7	8	9	10	11	12	13
①	1	[]	{	}	+	–	/	=	,	.	–	'
②	A	B	C	a	b	c	2						
③	D	E	F	d	e	f	3						
④	G	H	I	g	h	i	4						
⑤	J	K	L	j	k	l	5						
⑥	M	N	O	m	n	o	6						
⑦	P	Q	R	S	p	q	r	s	7				
⑧	T	U	V	t	u	v	8						
⑨	W	X	Y	Z	w	x	y	z	9				
⑩	0	()	<	>	!	"	#	\$	%	&	¥	
¹ 	:	;	?		*	@	^	'	→				
² 	INSERT key (Used to insert one character or one space.)												
⁶ 	SPACE key (Used to replace one character with a space.)												
⁷ 	DELETE key (Used to delete one character.)												
¹³ 	▶ key (Used to move the cursor to the right.)												
¹⁴ 	◀ key (Used to move the cursor to the left.)												

For example, when entering “Mike” as your logo:

1 Press **⑥**, then press direct call station **⑬**.

LOGO=M

2 Press **④** six times, then press direct call station **⑬**.

LOGO=Mi

3 Press **⑤** five times, then press direct call station **⑬**.

LOGO=Mik

4 Press **③** five times.

LOGO=Mike

Note:

- If you make a mistake while programming, use direct call stations **⑬** and **⑭** to move the cursor to the incorrect character, then make the correction.
- The layout of the direct call station keys is printed on the reverse side of the directory card. Remove the directory card cover with a pencil or similar object and turn the directory card over.

Setting your facsimile telephone number

1 Press **MENU**.

SYSTEM SET UP

2 Press **#**, then **0** **3**.

YOUR TEL NO.

3 Press **START/SET**.

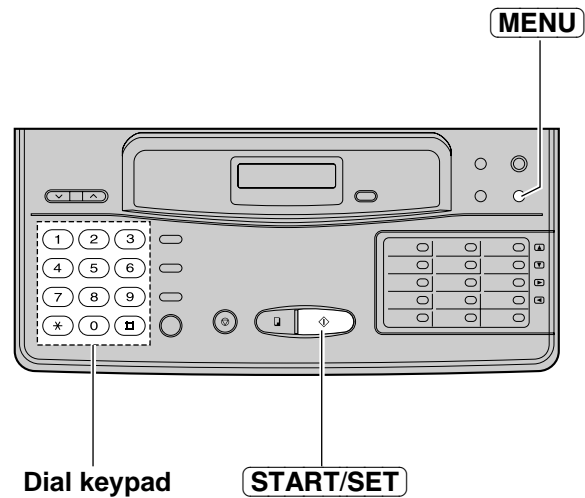
NO. =

4 Enter your facsimile telephone number up to 20 digits.

- ***** button inserts a space and **+** button a "+".

5 Press **START/SET**.

6 Press **MENU**.



Note:

Logo, telephone number, date, time and page number will be printed outside of the document you send. To change the print position, see page 45.

Adjusting volumes

■ **Ringer volume:** 3 levels (high/low/off) are available.

Press **VOLUME** (\vee/\wedge) while the unit is in an idle status.

To turn the ringer off:

1. Press \vee repeatedly.

- The following messages will be shown alternately.

RINGER OFF= OK? ↔ YES: PRESS SET

2. Press **START/SET**.

While the ringer volume is set to off:

The display will show the following message and the unit will not ring when receiving a call.

RINGER OFF

■ **Handset volume:** 3 levels (high/middle/low) are available.

Press **VOLUME** (\vee/\wedge) when using the handset.

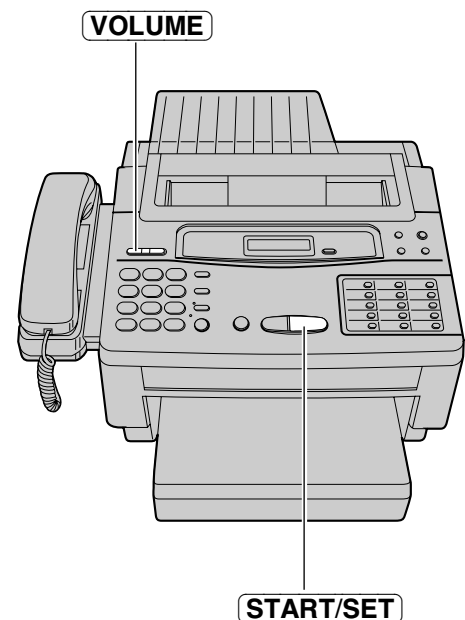
■ **Speaker volume:** 8 levels (high to low) are available.

Press **VOLUME** (\vee/\wedge) when using the speakerphone.

■ **Answering device volume (KX-F1100AL only):**

9 levels (high to off) are available.

Press **VOLUME** (\vee/\wedge) when listening to the recorded messages.



Recording greeting messages (KX-F1100AL only)

Record two types of greeting message before using the unit as an answering device and facsimile. One is the message for the ANS/FAX mode, and the other for the TEL/FAX mode.

The ANS/FAX mode greeting message tells a caller that you are unable to answer, and allows the caller to leave a voice message or send a fax message.

The TEL/FAX mode greeting message tells a caller that the unit is calling you up, and allows the caller to wait until you answer the call or to send a fax message.

The recording time is limited to 16 seconds for each message. Record a greeting message **within 12 seconds** for optimum performance.

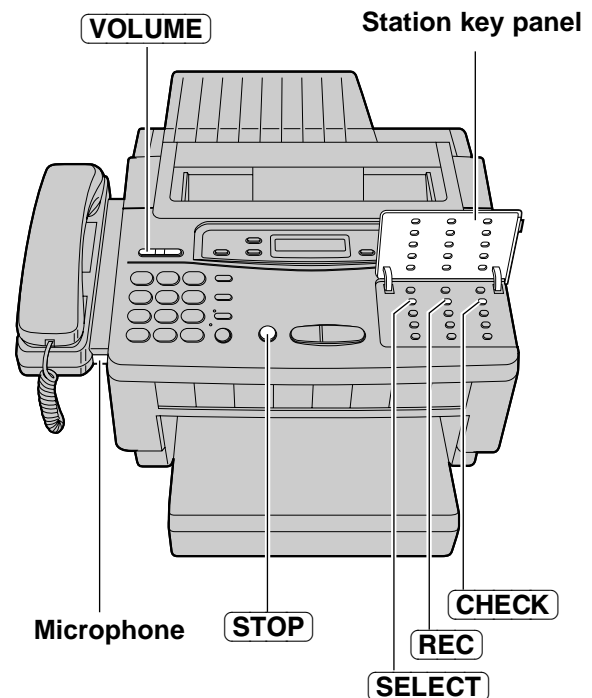
- 1 Open the station key panel.
- 2
 - **For ANS/FAX mode greeting message:**
Press **SELECT**.

ANS-GREETING

 - **For TEL/FAX mode greeting message:**
Press **SELECT** repeatedly until the following is displayed.

TEL-GREETING
- 3 Press **REC**.
 - A long beep will sound.
- 4 After the long beep, speak clearly 20 cm (8 inches) away from the microphone.
 - The display will show the elapsed recording time.
Example: ANS/FAX mode

ANS REC. 02s
- 5 When finished, press **STOP**.
 - The unit will repeat your message for confirmation. Adjust the volume to a suitable level by pressing **VOLUME**.



Note:

If you make a mistake while recording, repeat from step 2.

Suggested messages

- **For ANS/FAX mode greeting message:**
"This is (your name, business and/or telephone number). We are unable to answer right now. To send a fax, start transmission. To leave a message, speak after a long beep. Thank you."
- **For TEL/FAX mode greeting message:**
"This is (your name, business and/or telephone number). Please wait for someone to answer the line. To send a fax, start transmission."

To check your greeting message

1. Press **SELECT** to select the greeting message you wish to check.
2. Press **CHECK**.

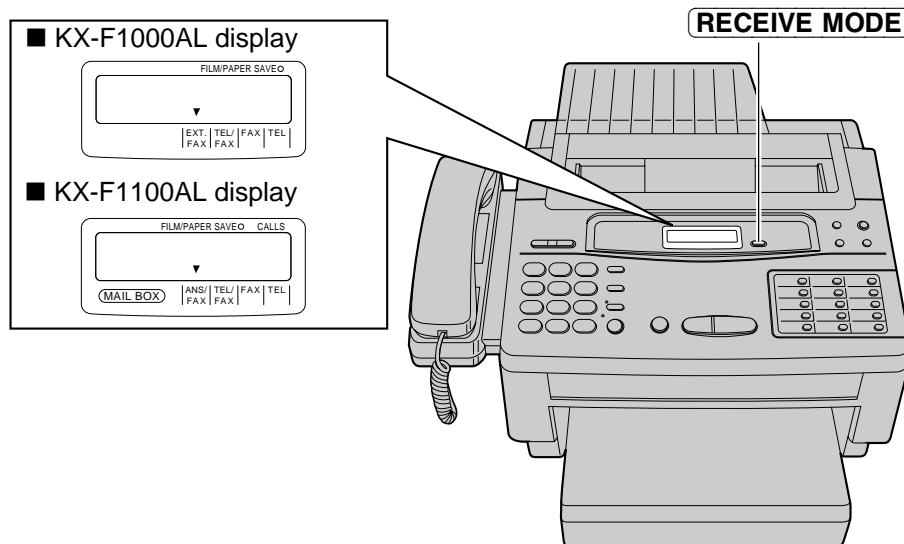
To erase the recorded greeting message

1. Press **SELECT** to select the greeting message you wish to erase.
2. Press **REC**.
3. Press **STOP** immediately after a long beep.

Selecting the receive mode

This unit has four types of receive modes.

Depending on your condition, select the desired mode by pressing **RECEIVE MODE**. The arrow mark in the display shows your selection.



Regardless of the mode that you select, you can always place calls and send faxes. The descriptions below will help you understand how the unit can work for you.

TEL mode: This mode can be used when you wish to answer all calls manually. The unit will not automatically answer fax and voice calls. If you wish to answer a fax call, you can start reception by pressing the START/SET button. If no one answers an incoming call by 15 rings, the receive mode will automatically switch to the TEL/FAX mode—KX-F1000AL, or the ANS/FAX mode—KX-F1100AL.

TEL/FAX mode: This mode can be used when you do not hear the unit ring when faxes are received but wish to answer voice calls. The unit will automatically receive fax documents without ringing when fax calls are received. For further details, see page 21.

FAX mode: We recommend that you select this mode when you will be using the unit solely as a fax machine. The unit will automatically answer all calls and generate fax tones to the callers. Callers will hear fax tones and will only be able to transmit faxes.

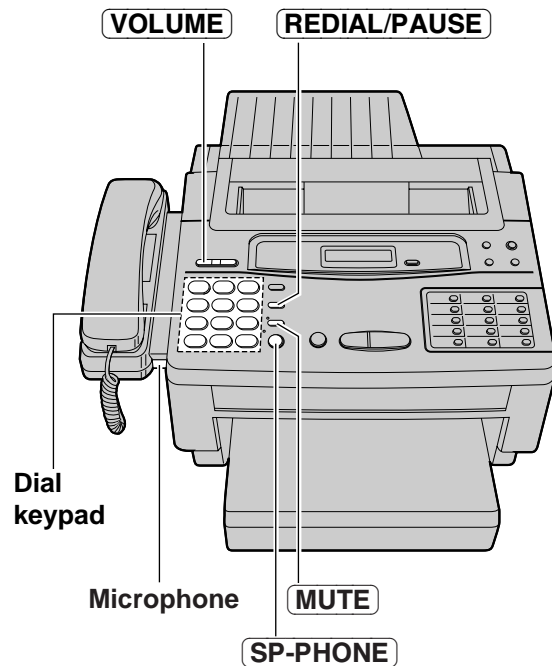
EXT. TAM mode (KX-F1000AL only): This mode can be used when you wish to connect a telephone answering machine (TAM) to the external telephone jack on your facsimile unit. If a voice call is detected, the answering machine will begin recording. If a fax call is detected, the facsimile unit will disconnect the answering machine and receive the fax documents. For further details, see page 24. If your external telephone does not have an answering/recording feature, do not select this mode. We recommend that you select the TEL/FAX or TEL mode.

ANS/FAX mode (KX-F1100AL only): This mode can be used when you wish the unit to record voice messages and/or receive fax messages. When a call is received, the unit will play the ANS/FAX mode greeting message. If a voice call is detected, the answering system will begin recording, then caller can leave a voice message. If a fax call is detected, the unit will switch to the fax and receive fax documents.

3. Making and Answering Voice Calls

Making voice calls

- 1 Press **SP-PHONE** or lift the handset.
- 2 Dial a phone number.
 - If you misdial, hang up and dial again.
- 3 When the other party answers, speak into the microphone from a distance of approximately 25 cm (10 inches) or speak using the handset.
- 4 When finished, press **SP-PHONE** again or replace the handset.



3

To redial the last number dialed

1. Press **SP-PHONE** or lift the handset.
2. Press **REDIAL/PAUSE**.
 - The unit will redial the number once.

Voice muting

Using this feature, you can hear the voice of the other party, but the other party cannot hear your voice.

1. Press **MUTE** during a telephone conversation.
 - The MUTE indicator light goes on.
2. To resume the conversation, press **MUTE** again.

Hints for speakerphone operation

- Use the speakerphone in a quiet room for best performance.
- If the other party has difficulty hearing you, adjust the volume using **VOLUME**.
- If you and the other party speak at the same time, parts of your conversation will be lost.
- If you wish to switch to the handset from the speakerphone, lift the handset. To switch to the speakerphone, press **SP-PHONE**.

Answering voice calls

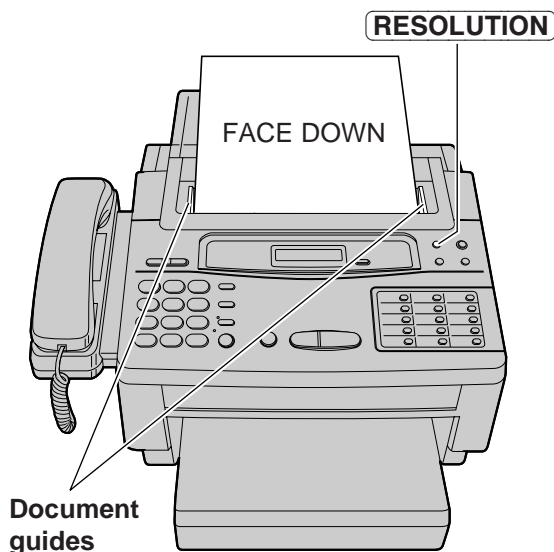
- 1 When the unit rings, lift the handset or press **SP-PHONE**.
- 2 To hang up, replace the handset or press **SP-PHONE**.

4. Transmitting and Receiving Fax Calls

Transmitting documents

Loading documents

- 1 Insert the documents **FACE DOWN** until a beep tone is heard.
 - The unit can accept up to 15 sheets of paper at a time.
- 2 Adjust the document guides to the width of the documents.
- 3 Press **RESOLUTION** repeatedly to the desired setting.
 - The selected resolution will be shown on the display.



Selecting the resolution

STANDARD: Suitable for printed or typewritten originals with normal-sized characters.

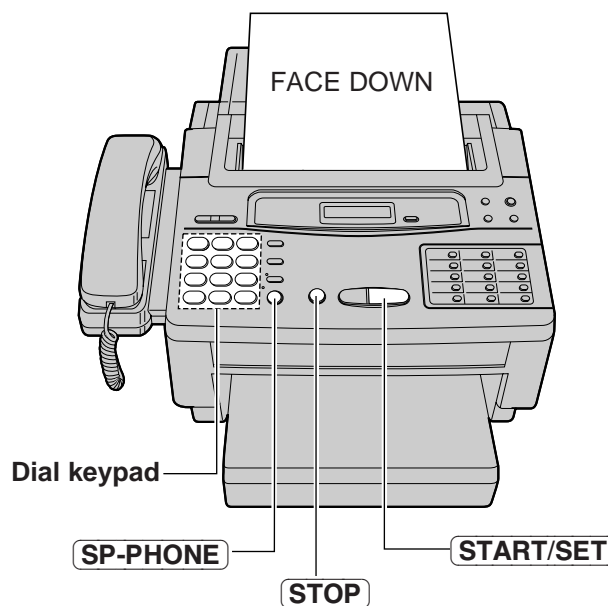
FINE: Suitable for originals with small printing.

HALF TONE: Useful for originals containing photographs, shaded drawings, etc.

- Note that using the FINE or HALF TONE setting will increase transmission time.
- If the setting is changed during page feeding, it will be effective from the next sheet.

Transmitting documents manually

- 1 Insert the documents **FACE DOWN**.
- 2 Press **SP-PHONE** or lift the handset.
- 3 Dial a phone number.
 - If you misdial, hang up and dial again.
- 4 When a fax tone is heard, press **START/SET**.
- 5 Replace the handset if using it.



To stop transmission halfway

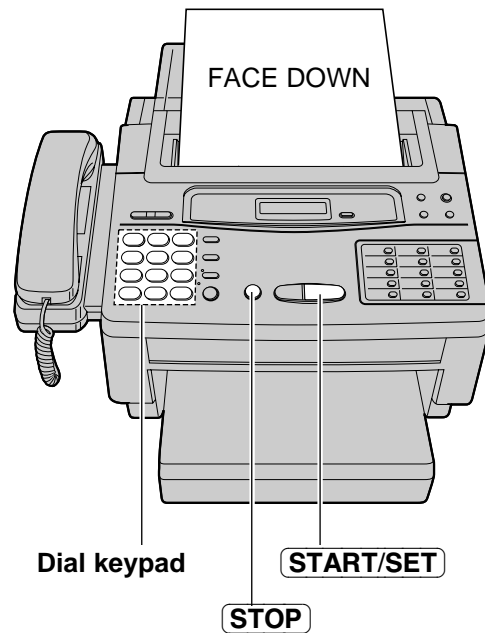
Press **STOP**.

Transmitting documents with fewer procedure

- 1 Insert the documents FACE DOWN.
- 2 Dial a phone number.
 - If you misdial, press **STOP** and dial again.
- 3 Press **START/SET**.
 - The unit will start to dial and transmit the documents.

Note:

If there is no answer or the line is busy, the unit will automatically redial the number up to 2 times. To cancel redialing, press **STOP**.



4

To send 16 or more sheets at a time

Insert the first 15 sheets of the documents. Add the extra sheets up to 15 before the last sheet is fed into the unit.

Documents you can send

Minimum size	Maximum size	Effective scanning area	Document weight
			Single sheet: 45 to 90 g/m ² (12 to 24 lb.) Multiple sheets: 60 to 75 g/m ² (16 to 20 lb.)

Note:

- Remove clips, staples or other similar fastening objects from a document.
- Check that ink, paste or correction fluid on the documents have completely dried.
- Do not feed the following types of documents into the unit. Make copies of these documents by using a copier then use these copies for fax transmission.
 - Paper with a chemically treated surface such as carbon paper or carbonless duplicating paper
 - Electrostatically charged paper
 - Heavily curled, creased or torn paper
 - Paper with a coated surface
 - Paper with faint contrast between the printing and the background
 - Paper with printing on the reverse side that can be seen through the front (e.g. newspaper)

Manual reception

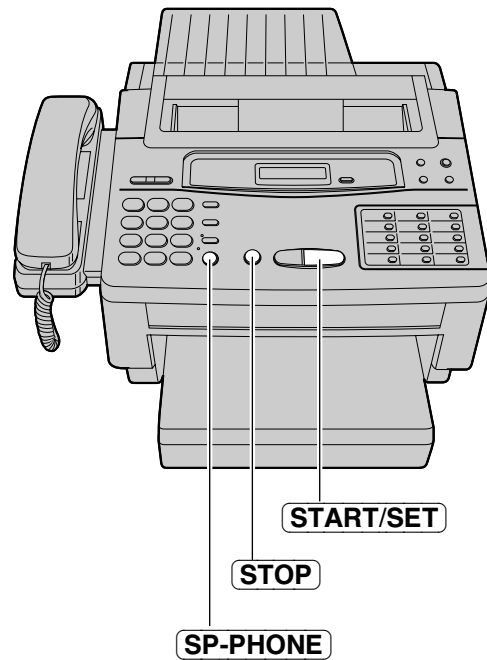
- 1 When the unit rings, press **SP-PHONE** or lift the handset to answer the call.
- 2 When:
 - document reception is required,
 - a slow beep is heard, or
 - no sound is heard,press **START/SET**.
- 3 Replace the handset if using it.
 - The unit will start reception.

To stop reception halfway

Press **STOP**.

Note:

- When receiving an over-sized document, the unit will divide it into two or more pages when printing out.
- If an appropriate reduction rate (page 47) is set, the unit can print an over-sized document on one page.



Automatic reception

Set the receive mode to the TEL/FAX, FAX, EXT. TAM—KX-F1000AL, or ANS/FAX—KX-F1100AL.

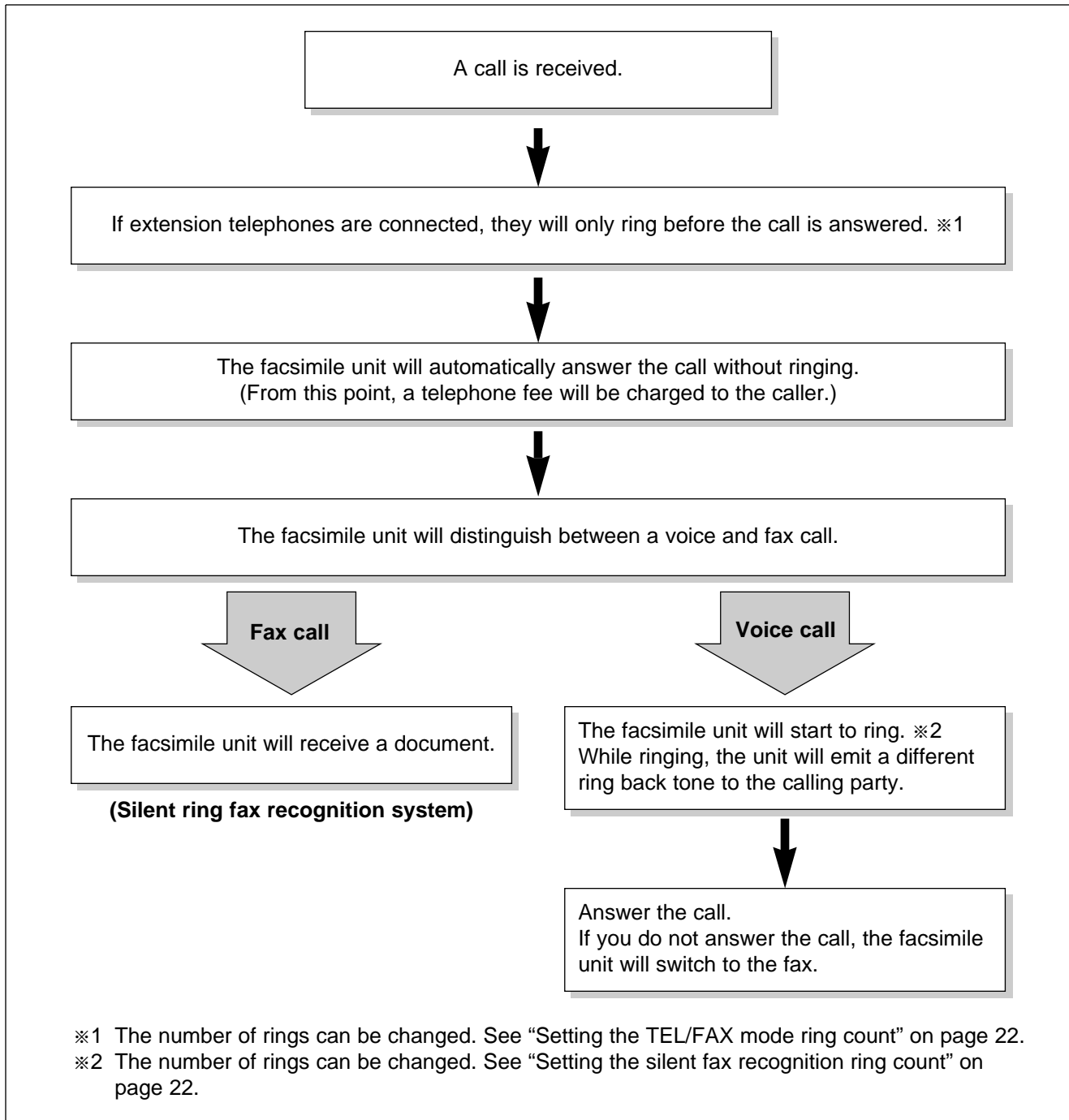
When a fax call is received, the unit will automatically activate the fax function to receive documents.

Caution:

Do not let more than 100 sheets of paper accumulate at one time onto the paper cassette. This may cause a paper jam.

Receiving in the TEL/FAX mode

When a call is received, the unit will work as follows.



Note:

Some fax messages may not be sent using a calling tone. These calls must be received manually.

Setting the TEL/FAX mode ring count

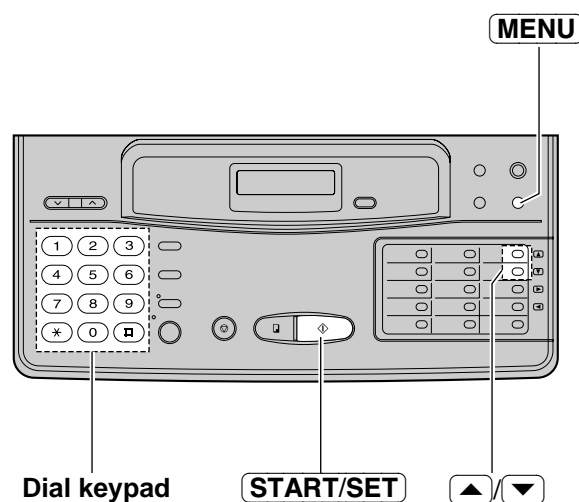
You can choose from 2 to 9 toll rings.

- 1 Press **MENU**.

SYSTEM SET UP	
---------------	--
- 2 Press **#**, then press **0 6**.

TEL/FAX RING	
--------------	--
- 3 Press **START/SET**.

COUNT=2	[▲ ▼]
---------	---------
- 4 Press **▲** or **▼** to select the desired number of rings.
- 5 Press **START/SET**.
- 6 Press **MENU**.



Note:

If you find difficulty in receiving faxes from machines that have an automatic transmission feature, decrease the number of rings.

Setting the silent fax recognition ring count

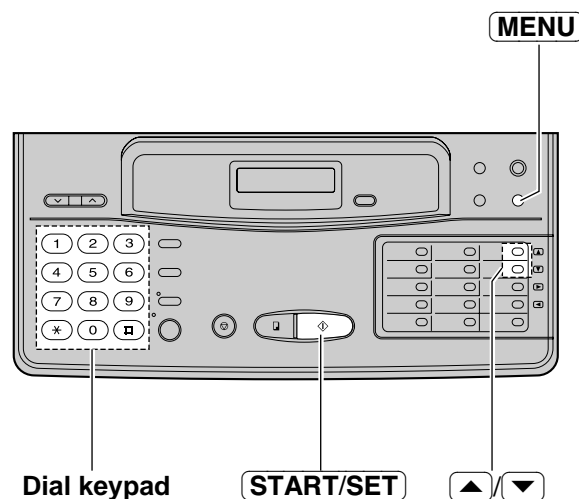
When a fax call is received in the TEL/FAX mode, the unit will automatically activate the fax function without ringing. If the unit detects a voice call, it will ring. The number of rings can be set from 3 to 6.

- 1 Press **MENU**.

SYSTEM SET UP	
---------------	--
- 2 Press **#**, then press **3 0**.

SILENT FAX RING	
-----------------	--
- 3 Press **START/SET**.

COUNT=3	[▲ ▼]
---------	---------
- 4 Press **▲** or **▼** to select the desired number of rings.
- 5 Press **START/SET**.
- 6 Press **MENU**.



Receiving in the FAX mode

When a call is received, the unit will ring and activate the fax function.

Setting the FAX mode ring count

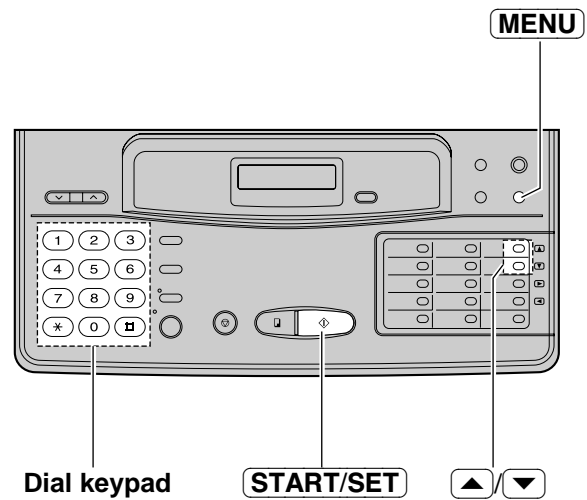
You can choose from 2 to 9 rings.

- 1 Press **MENU**.

SYSTEM SET UP
- 2 Press **#**, then press **0****7**.

FAX RING
- 3 Press **START/SET**.

COUNT=2 [▲▼]
- 4 Press **▲** or **▼** to select the desired number of rings.
- 5 Press **START/SET**.
- 6 Press **MENU**.

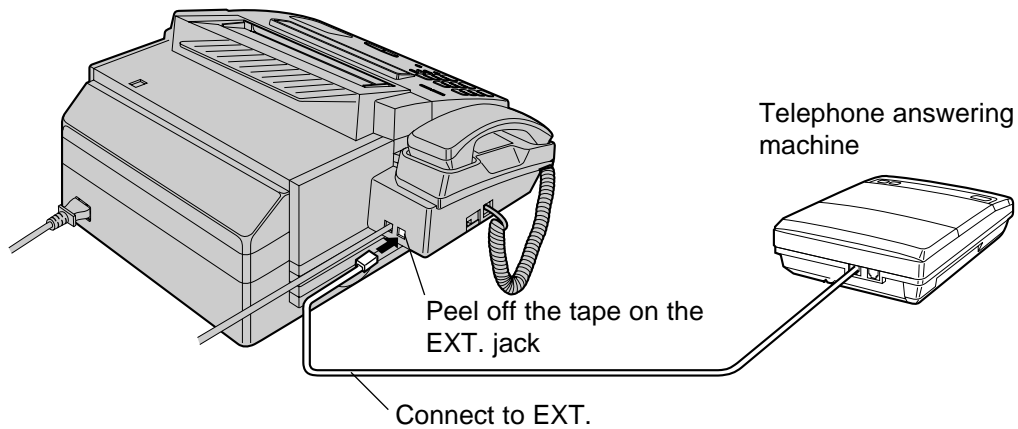


Note:

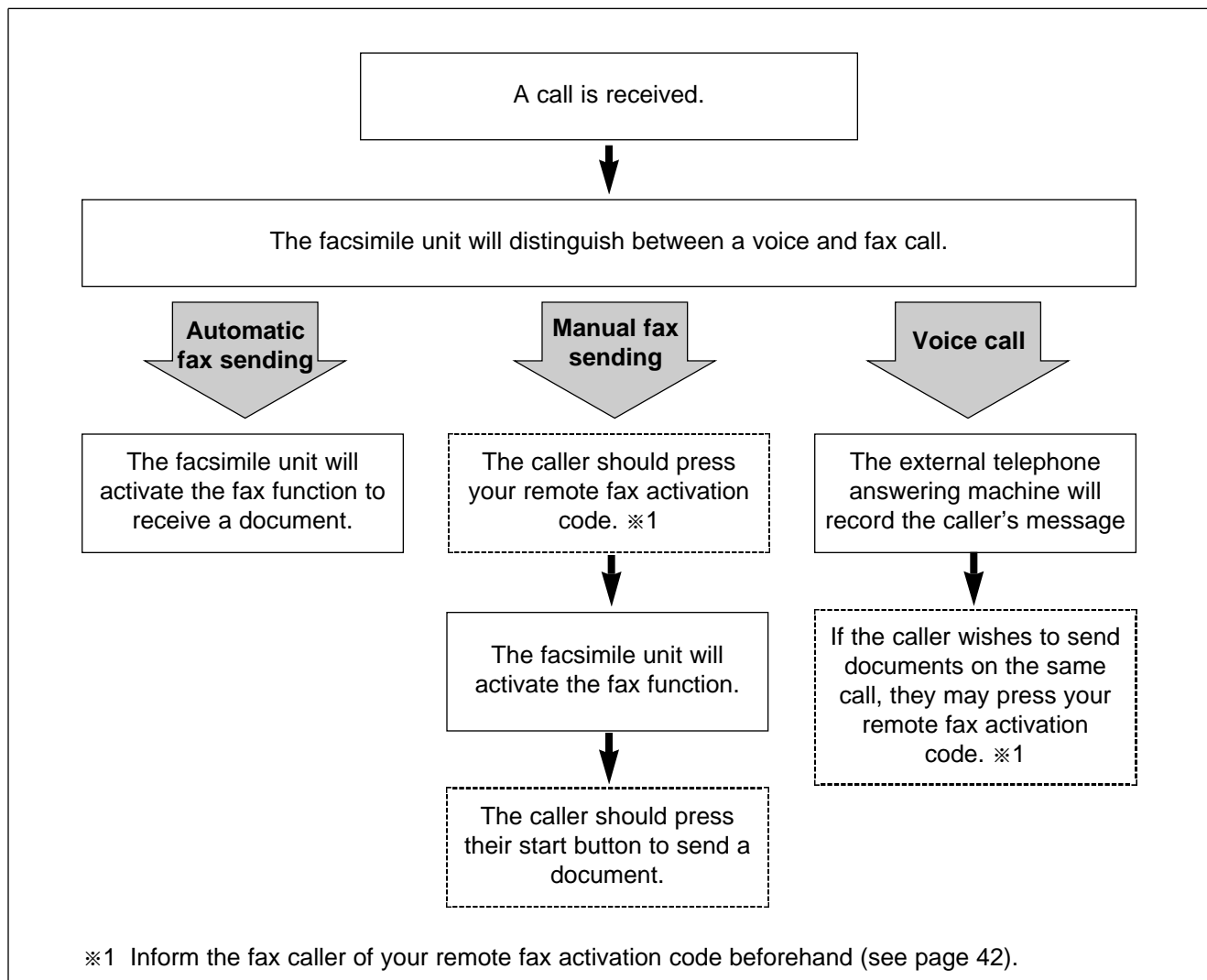
- If you wish to be able to answer a call before the unit does, increase the number of rings.
- If you find difficulty in receiving faxes from machines that have an automatic transmission feature, decrease the number of rings.

Receiving in the EXT. TAM mode (KX-F1000AL only)

This mode is used only when an EXTERNAL Telephone Answering Machine (EXT. TAM) has been connected to the facsimile unit.



Incoming voice messages will be recorded on the answering machine and fax messages will be received on the facsimile unit.



Setting up the answering machine

1. Set the desired number of rings (1 to 4) on the telephone answering machine.
2. Record a greeting message referring to the example below.

“This is (your name, business and/or telephone number). We are unable to answer the phone right now. Please leave a message after the long beep. To send a fax, dial my remote fax activation code and start transmission. Thank you.”

- Do not pause for more than 4 seconds in the message.
- Your message can be 8 to 16 seconds long. We recommend you to keep it around 10 seconds in length.
- Inform the fax caller of your remote fax activation code beforehand (see page 42).

3. If your answering machine is equipped with a remote operation feature, you must set the same access code (remote TAM activation ID) as stored on the answering machine in the unit's memory. See below.

Setting the remote TAM activation ID

Set the same ID code on the facsimile unit as programmed on your answering machine.

Important:

This code should be different from the remote fax activation code (see page 42) and the junk mail prohibitor ID (see page 43).

- 1 Press **MENU**.

SYSTEM SET UP

- 2 Press **#**, then press **11**.

REMOTE TAM ACT.

- 3 Press **START/SET**.

MODE=OFF [▲▼]

- 4 Press **▲** or **▼** to select “ON”.

MODE=ON [▲▼]

- 5 Press **START/SET**.

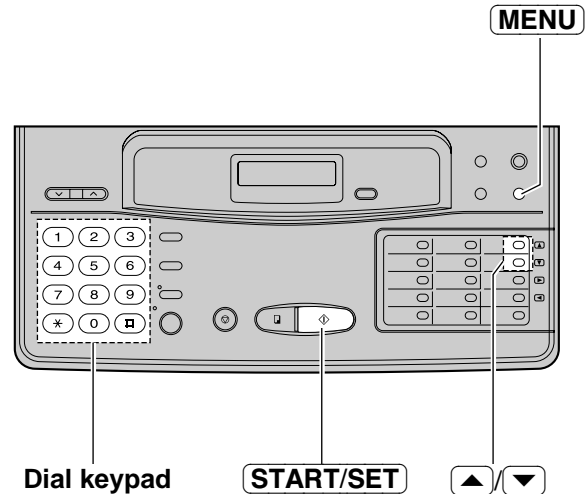
ID=11

- The display shows the current ID pre-selected.

- 6 Enter the new ID number.

- 7 Press **START/SET**.

- 8 Press **MENU**.



Setting the silent detection

This feature allows the facsimile unit to activate the fax function automatically when a silent pause longer than 4 seconds is detected in the EXT. TAM mode.

Helpful hints:

- To receive documents from stations that do not send a calling tone after dialing, activate this feature.
- If you use a single cassette tape to give a greeting message and to record incoming messages, deactivate this feature.

1 Press **MENU**.

SYSTEM SET UP

2 Press **#**, then press **3** **8**.

SILENT DETECT.

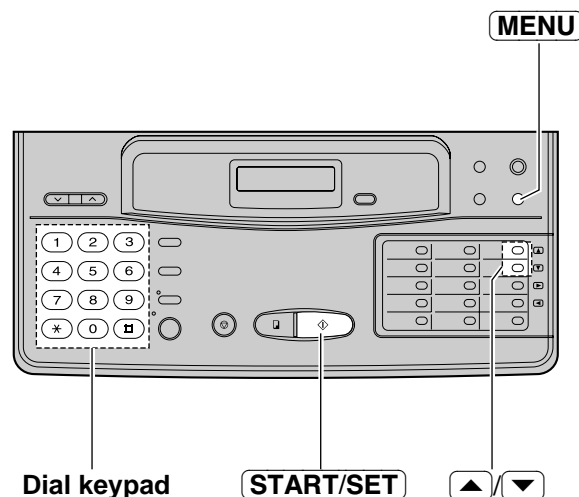
3 Press **START/SET**.

MODE=ON [▲▼]

4 Press **▲** or **▼** to select the desired mode.

5 Press **START/SET**.

6 Press **MENU**.



Notice when using with an answering machine


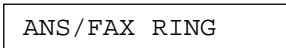
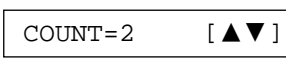
- Every time the facsimile unit receives a document, a silent pause or a fax tone may be recorded on the answering machine.
- Advise callers that they should not pause for over 4 seconds while recording their voice messages. Otherwise, the unit may switch to the fax mode.
- When your answering machine runs out of recording tape, your facsimile unit may not be able to receive a document. Rewind the tape to record messages.
- When you set the answering machine to give only a greeting message, fax reception may not be available.
- If you answer a call with the answering machine and pause for over 4 seconds, the facsimile unit may switch to the fax mode and you may not be able to talk with the other party. To resume the conversation, press **STOP** on the facsimile unit.
- When the answering machine does not answer a call after 5 rings, the fax function will be activated.
- Set the receive mode of the facsimile unit to the TEL mode under the following conditions:
 - when you wish to set the number of rings on the answering machine to more than 5, or
 - when you wish to use auto transfer functions (transfer, pager alert, etc.) on the answering machine.
 Note that automatic fax sending can not be received automatically in the TEL mode.

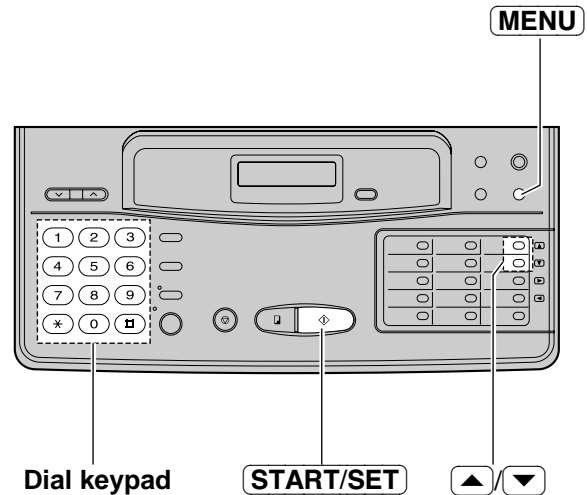
Receiving in the ANS/FAX mode (KX-F1100AL only)

When a call comes in, the unit will automatically answer the call and distinguish between a fax and voice call. When a fax call is received, the unit will automatically activate the fax function to receive documents. When a voice call is received, the unit will play the greeting message and record an incoming voice message.

Setting the ANS/FAX mode ring count

You can choose from 2 to 9, TOLL SAVER and RINGER OFF.

- 1 Press **MENU**.

- 2 Press **#**, then press **0****8**.

- 3 Press **START/SET**.

- 4 Press **▲** or **▼** to select the desired number of rings.
- 5 Press **START/SET**.
- 6 Press **MENU**.



TOLL SAVER:

When you call the unit from a remote location, the number of rings will tell you if there are any new voice messages or not.

If the unit answers on the second ring, there is at least one newly recorded message.

If the unit answers on the fourth ring, there are no newly recorded messages.

Hang up immediately when you hear the third ring. This will save you the toll charge for the call.

RINGER OFF:

The unit will answer without ring.

5. Operating the Answering Device (KX-F1100AL only)

Setup of voice message and document reception

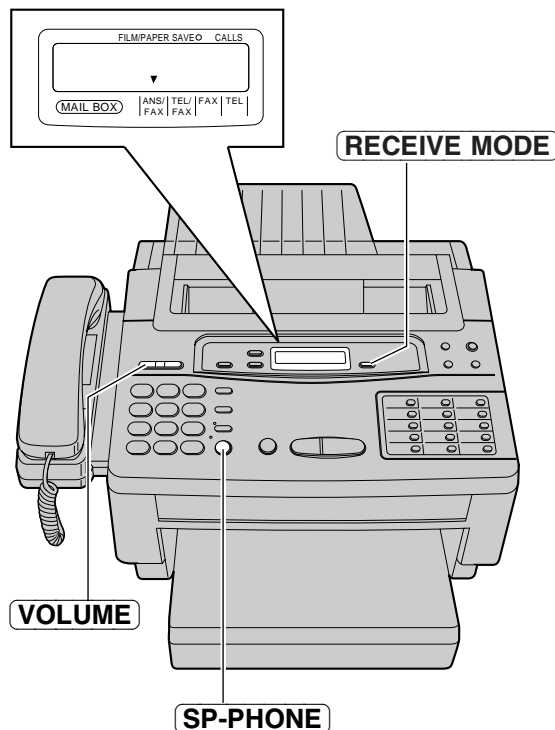
To record voice message and receive fax document

Set the unit to the ANS/FAX mode by pressing **RECEIVE MODE**.

Monitoring incoming calls

While an incoming call is being recorded, you can monitor it through the speaker. Adjust the volume with the VOLUME buttons.

To answer the call while monitoring, press **SP-PHONE** or lift the handset. The unit will stop recording.



Total recording time

The unit can save a total of about 15 minutes of voice recordings in common memory and three mailbox memories.

- If the incoming messages are noisy, the recording time might be less than 15 minutes.

Recording time for each incoming message:

The recording time for each incoming message can be set to either "unlimited" (preset setting) or "1 minute". To change the recording time, see page 32.

To confirm the time remaining for incoming message:

Select the ANS/FAX mode by pressing **RECEIVE MODE** or open the station key panel.

The display will show the remaining time for about 2 seconds.

TIME LEFT=12MIN

- When the remaining time is little, erase useless messages from memory (see page 30).
- When the remaining time becomes less than 60 seconds, the unit will alert the user with a slow beep if a recording time alert feature is set to ON (page 33).

Listening to messages in common memory

When the unit has received voice messages,
 —the NEW MESSAGES indicator will flash, and/or
 —a slow beep will sound if message alert (page 32) is set to ON.

To listen to new messages

Press **NEW MESSAGES**.

- The unit will play back the new recorded messages.
- At the end of the last message, 3 beeps will sound.

To listen to all the recorded messages

- 1 Open the station key panel.
- 2 Press **ALL MESSAGES**.
 - The unit will play back all the recorded messages.



Day and time display

During playback, the display will show the recorded day and time, along with the recorded order of the message.

Example: SUN 11:00AM 01

Saving message

The unit will save the incoming messages automatically, if the user does not erase them.

Functions during playback

To repeat a message

Press **REPEAT** to play back the previous message.

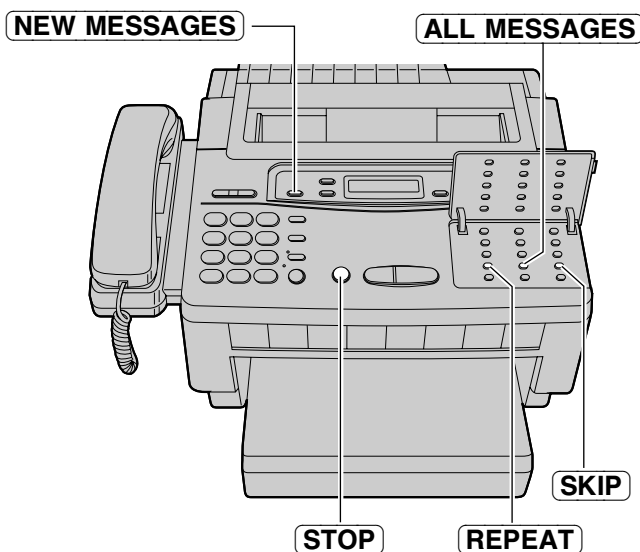
To skip a message

Press **SKIP** to play back the next message.

To stop the operation

Press **STOP** to stop playback or other operation.

- If you wish to resume playback, press **NEW MESSAGES** or **ALL MESSAGES** within 1 minute after pressing **STOP**.



Erasing recorded messages

To erase specific messages from memory

Press **ERASE** while the message you want to erase is playing.

To erase all messages in common memory

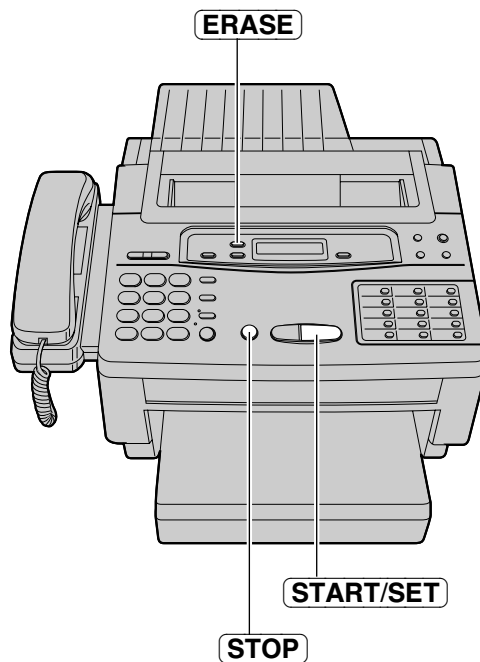
- 1 Press **ERASE** after listening to all of the messages.

ICM ERASE OK?

- 2 Press **START/SET**.

ERASE COMPLETED

- If this feature is not required, press **ERASE** or **STOP** instead of **START/SET**.



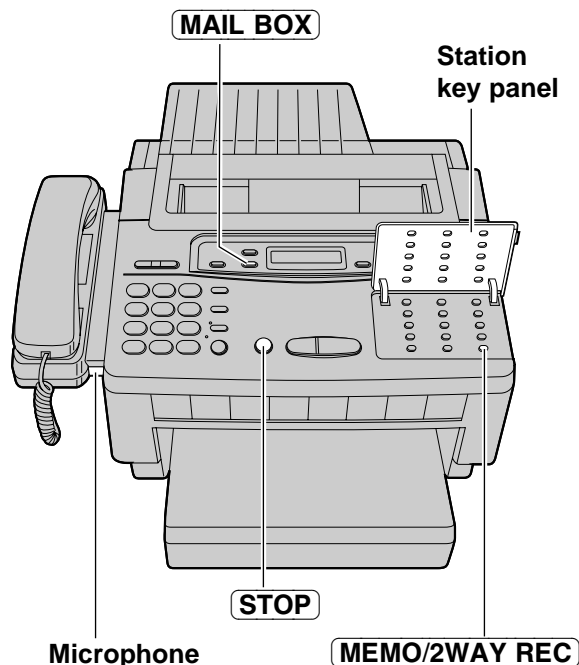
Recording a memo message

If the user is going out and wants to leave a private message for someone, they can record a voice memo in the unit. This can be played back later either directly or remotely, like other messages.

- 1 Open the station key panel.
- 2 Press **MEMO/2WAY REC**.
- 3 Immediately after the beep, speak clearly towards the microphone.
- 4 When finished, press **MEMO/2WAY REC** again or **STOP**.

Note:

- When memory becomes full while recording, the unit will stop recording automatically and 6 beeps will be heard. Erase some or all messages.
- This feature can also be used with the mailbox feature. To record in a specific mailbox, you must first select the mailbox by pressing **MAIL BOX**.



Recording a telephone conversation

The user may record a telephone conversation.

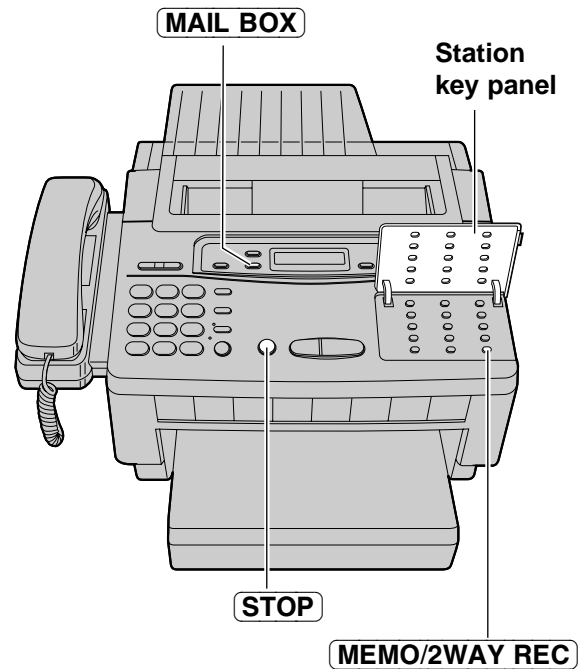
1 During the conversation, open the station key panel and press **MEMO/2WAY REC**.

- A beep will sound every 15 seconds to notify the caller that the conversation is being recorded.

2 To stop recording:
Press **MEMO/2WAY REC** again or **STOP**.
or
Hang up after the conversation.

Note:

- This feature can also be used with the mailbox feature. To record in a specific mailbox, you must first select the mailbox by pressing **MAIL BOX**.



Setting the caller's recording time

You can choose between two lengths of recording times for incoming messages.

VOX (unlimited): The unit will record an incoming message as long as the caller speaks (pre-selected setting).

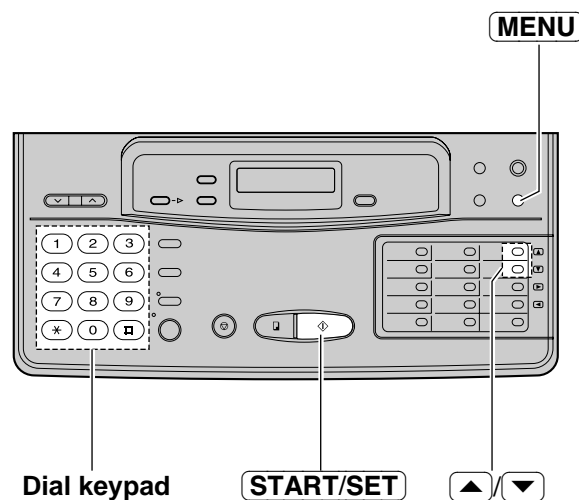
1 MIN (1 minute): The unit will record an incoming message up to 1 minute per message.

- 1 Press **MENU**.

SYSTEM SET UP
- 2 Press **#**, then **0 9**.

RECORDING TIME
- 3 Press **START/SET**.

MODE=VOX [▲▼]
- 4 Press **▲** or **▼** to select the desired mode.
- 5 Press **START/SET**.
- 6 Press **MENU**.



Setting the message alert

This feature allows your unit to alert you with a slow beep if a caller's message has been recorded in common memory.

- 1 Press **MENU**.

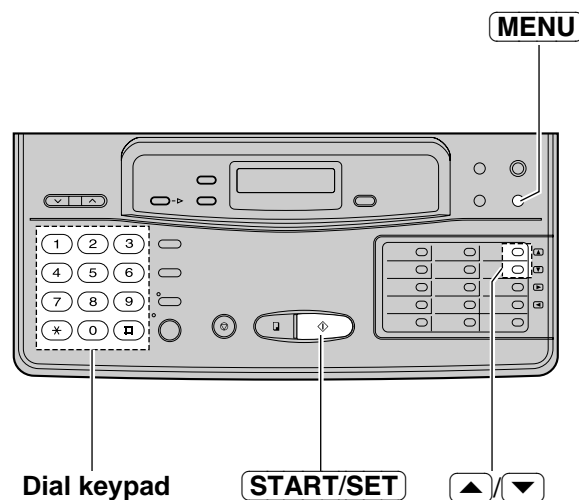
SYSTEM SET UP
- 2 Press **#**, then **4 2**.

MESSAGE ALERT
- 3 Press **START/SET**.

MODE=OFF [▲▼]
- 4 Press **▲** or **▼** to select "ON".

MODE=ON [▲▼]

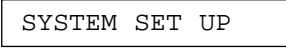
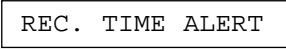
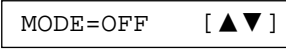

 - If this feature is not required, select "OFF".
- 5 Press **START/SET**.
- 6 Press **MENU**.

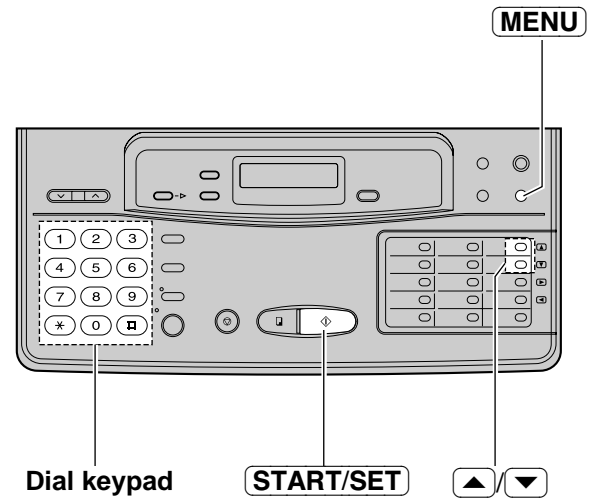


Note:
This feature does not work for the mailbox feature.

Setting the recording time alert

When the remaining time to record incoming messages becomes less than 60 seconds, the unit will alert the user with a slow beep.

- 1 Press **MENU**.

- 2 Press **#**, then **4** **3**.

- 3 Press **START/SET**.

- 4 Press **▲** or **▼** to select "ON".

 - If this feature is not required, select "OFF".
- 5 Press **START/SET**.
- 6 Press **MENU**.



6. Copier Function

Making a copy

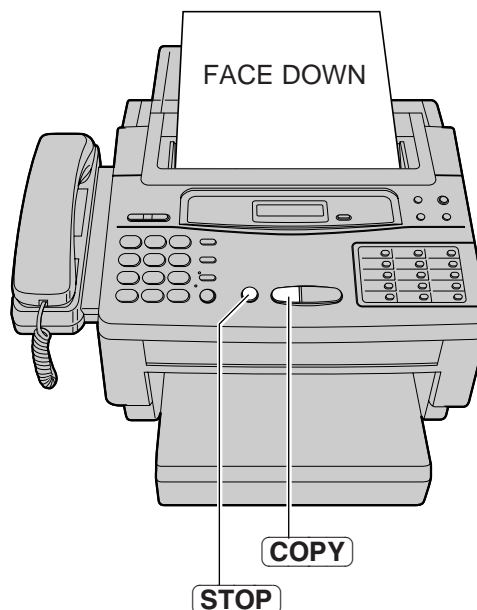
- 1 Insert the documents **FACE DOWN**.
 - The unit can make a copy of up to 15 sheets of paper at a time.
- 2 Press **COPY**.
 - The unit will start copying.

To stop copying halfway

- Press **STOP**.
- The unit will stop copying and eject the documents.

Note:

- Any transmittable document can be copied (see page 19).
- When copying, the unit will automatically select FINE resolution.
- You can make or receive a voice call while making a copy.



7. Automatic Dialing

The unit's memory allows you to use both one-touch dialing and speed dialing for rapid access to your most frequently dialed numbers.

One-touch dialing: The unit is equipped with 14 direct call station keys.

Speed dialing: The unit is equipped with 60 additional dialing stations. These stations are assigned to 2-digit numbers (00–59).

Storing Tel/Fax numbers

- 1 Press **MENU** until the following message is displayed.

STORE TEL NO.

- 2 **For one-touch dialing:**
Press one of the direct call station keys.

For speed dialing:

Press **#**, then press the desired 2-digit number (00–59).

- 3 Enter the phone number up to 30 digits in length.

- To enter a hyphen in a phone number, press **HYPHEN** (direct call station 8).

- 4 Press **START/SET** to store the number.

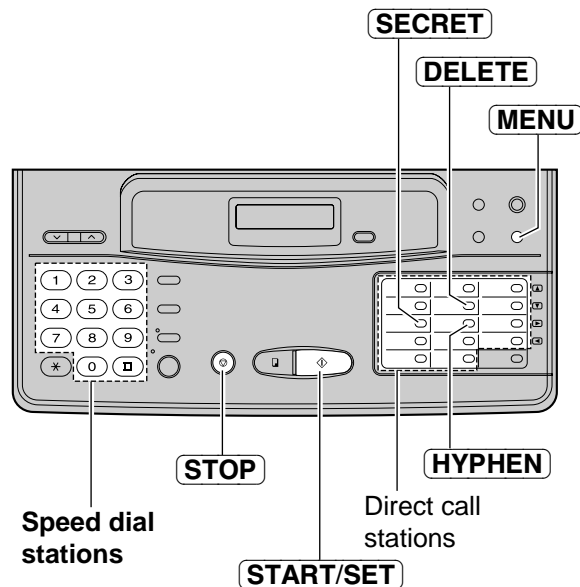
NAME=

- 5 Enter the station name, up to 10 characters, by following the instructions on page 13.

- 6 Press **START/SET** to store the station name.

- To program other stations, repeat from step 2.

- 7 Press **STOP** to end the program.



Helpful hint:

To confirm stored phone numbers and station names, print a telephone number list (see page 65).

To keep a whole or a portion of the phone number secret

Press **SECRET** (direct call station 3) before and after the number you wish to keep secret.

- The phone number will not appear on the display and on the telephone number list.
- Pressing the SECRET key once counts as two digits.

To erase a stored number and station name

Press **STOP** in step 3 to clear the phone number.

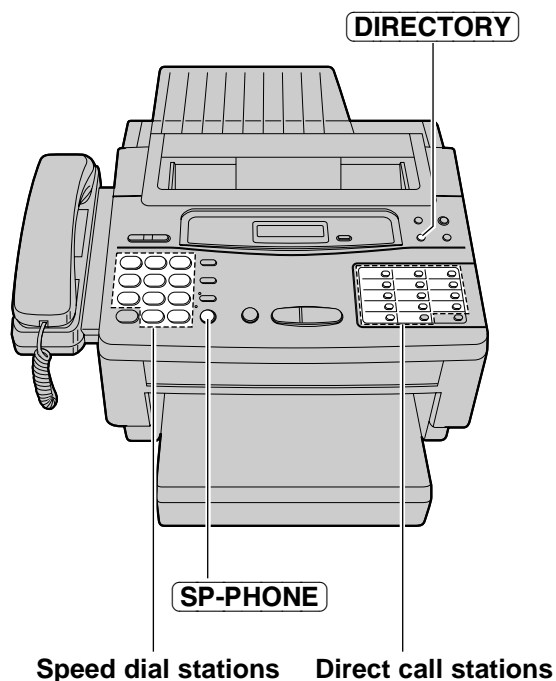
Press **DELETE** (direct call station 7) repeatedly in step 5 until all the characters are erased.

6

7

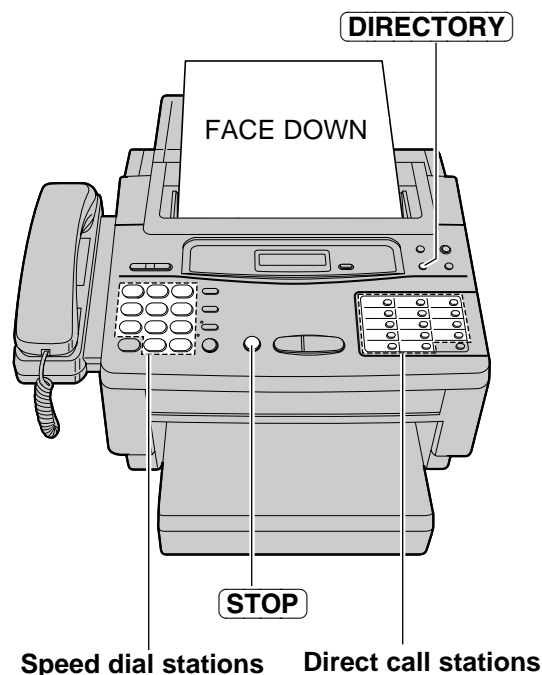
Making voice calls using automatic dialing

- 1 Press **SP-PHONE** or lift the handset.
- 2 **Using one-touch dialing:**
Press the desired direct call station key.
Using speed dialing:
Press **DIRECTORY**, then press **#** and the desired 2-digit number (00–59).



Transmitting documents using automatic dialing

- 1 Insert the documents FACE DOWN.
- 2 **Using one-touch dialing:**
Press the desired direct call station key.
Using speed dialing:
Press **DIRECTORY**, then press **#** and the desired 2-digit number (00–59).



Automatic redialing

If there is no answer or the line is busy, the unit will automatically redial the number up to 2 times.

To cancel the redialing, press **STOP**.

Electronic telephone directory

The station names stored in memory will be automatically registered into the electronic telephone directory in alphabetical order. You can make a fax or voice call by selecting the desired station name on the display.

If you wish to send a fax, insert the documents into the document feeder first.

1 Press **DIRECTORY**.

SELECT INDEX

2 Press the dial key in which the first initial of a station name is assigned (see index table below).

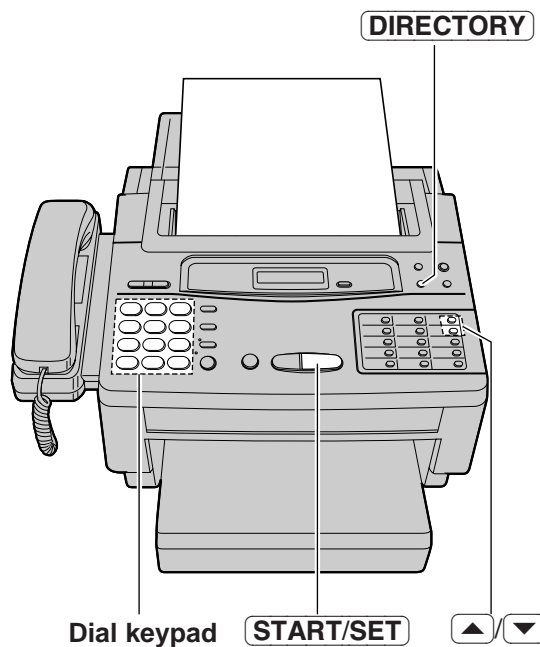
Example: To search a name with initial "N":
Press **6** repeatedly until the first station name with initial "N" is displayed. Press **▼** until the desired name is displayed.

or

Press **▲** or **▼** repeatedly until the desired name is displayed.

3 Press **START/SET**.

- The unit will start dialing.
- If a document is fed into the unit, the unit will start transmission.



Dial key	Index	Dial key	Index
1	1	7	P, Q, R, S, 7
2	A, B, C, 2	8	T, U, V, 8
3	D, E, F, 3	9	W, X, Y, Z, 9
4	G, H, I, 4	0	0
5	J, K, L, 5	*	Other symbols
6	M, N, O, 6	#	(Used for speed dialing)

8. Advanced Operations

Voice contact

Initiating voice contact

You can have a voice conversation with the same call after the fax message is completed. This will save the extra expense and time of making another call.

Important:

This feature works only when the other party's unit is equipped with a voice contact feature.

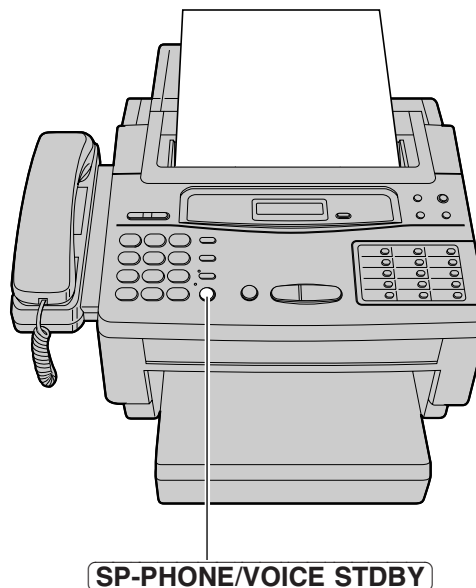
- 1 Press **SP-PHONE/VOICE STDBY** while transmitting or receiving documents.

VOICE STANDBY

- Your unit will call the other party with a distinctive ring.

- 2 When the other party answers, the unit will emit a distinctive ring. Press **SP-PHONE/VOICE STDBY** or lift the handset to start speaking.

- If you initiate voice contact during transmission, you can speak after all the documents have been transmitted.
- If you initiate voice contact during reception, you can speak after the current page of the document is received.



Receiving a request for voice contact

If the other party initiates voice contact, your unit will emit a distinctive ring after transmission or reception is completed.

When the distinctive ring is heard, press **SP-PHONE/VOICE STDBY** or lift the handset, then start speaking.

Note:

If you do not answer within 10 seconds of hearing the distinctive ring, the line will be disconnected. But if your model is KX-F1100AL and the ANS/FAX mode is used, the answering system will automatically answer the line and record the incoming voice message.

Polling

The polling feature allows you to receive a document from another compatible machine where you pay for the call as opposed to the document being sent to you, thereby saving the other party call charges. This unit can perform both receive and transmit polling.

Receive polling

To place a call and recover a document from another machine, follow the steps below. Make sure that no documents have been fed into your unit and that the other party's machine is ready for your call.

- 1 Press **MENU** until the following is displayed.

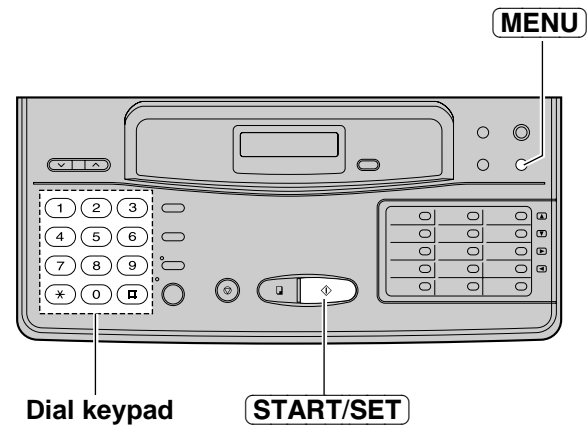
POLLING

- 2 Press **START/SET**.

NO. =

- 3 Enter the phone number by using one-touch dialing, speed dialing, full number dialing or electronic telephone directory.

- 4 Press **START/SET**.



Note:

- If there is no answer or the line is busy, the unit will automatically redial the number up to 2 times.
- The receiving unit incurs any telephone charges.

Transmit polling

A document stored in your unit can be recovered by another party's machine. To let other machines retrieve documents loaded on your unit, proceed as follows.

This feature is not available in the TEL mode.

- 1 Insert the documents FACE DOWN.

- 2 Press **MENU** until the following is displayed.

POLLED

- 3 Press **START/SET**.

MODE=OFF [▲▼]

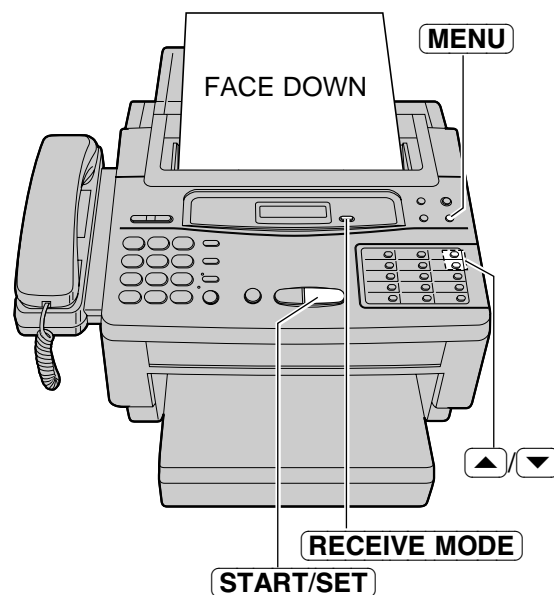
- 4 Press ▲ or ▼ to select "ON".

MODE=ON [▲▼]

- If this feature is not required, select "OFF".

- 5 Press **START/SET**.

POLLED ON



Note:

When delayed transmission (page 40) is set to ON, this feature is not available.

Delayed transmission

The unit can send fax documents automatically at a specific time. This allows you to take advantage of low-cost calling hours offered by your telephone company.

Delayed transmission can be programmed up to 24 hours in advance.

1 Insert the documents FACE DOWN.

2 Press **MENU**.

SYSTEM SET UP

3 Press **#**, then press **2** **5**.

DELAYED XMT

4 Press **START/SET**.

MODE=OFF [▲▼]

5 Press ▲ or ▼ to select "ON".

MODE=ON [▲▼]

• If this feature is not required, select "OFF".

6 Press **START/SET**.

NO. =

7 Enter the phone number by using one-touch dialing, speed dialing, full number dialing or electronic telephone directory.

8 Press **START/SET**.

TIME=12:00AM

9 Enter the transmission start time.

Example: 11:00PM

Press **1****1****0****0**, then press ***** to select PM.

To select AM, press *****.

10 Press **START/SET**.

11 Press **MENU**.

• When the programmed time has come, the unit will automatically start transmission.



Note:

- If there is no answer or the line is busy, the unit will automatically redial the number up to 2 times.
- You can receive, transmit and copy documents while delayed transmission is set.
- If the programmed start time has passed during a power failure, delayed transmission will be attempted soon after power is restored.
- When transmit polling (see page 39) is set to ON, delayed transmission is not available.

Reserving transmission during fax reception

While the unit is receiving documents, you can reserve your fax transmission to another station. The unit will automatically transmit documents after fax reception is complete.

- 1 Insert the documents **FACE DOWN** during fax reception.
- 2 Enter the phone number by using one-touch dialing, speed dialing, full number dialing or electronic telephone directory.

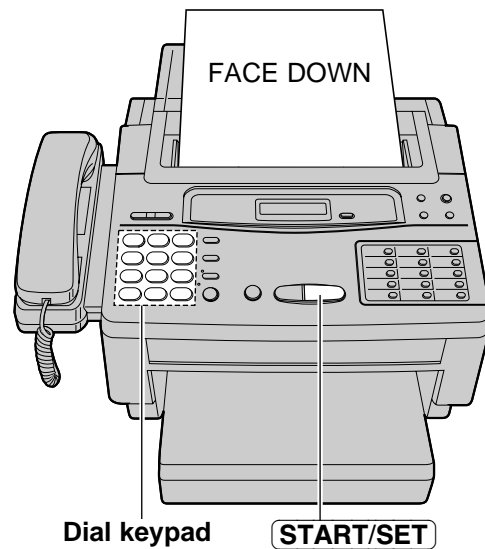
- When using a full number, press

START/SET.

XMT RSV. ON

To cancel the reservation

Remove the documents from the document feeder tray.



Printing a cover page

The unit can print a cover page to attach to documents you send.

Sample of a cover page

[FAX COVER PAGE]

DATE :

TO : NAME : _____
 FAX NO. : _____

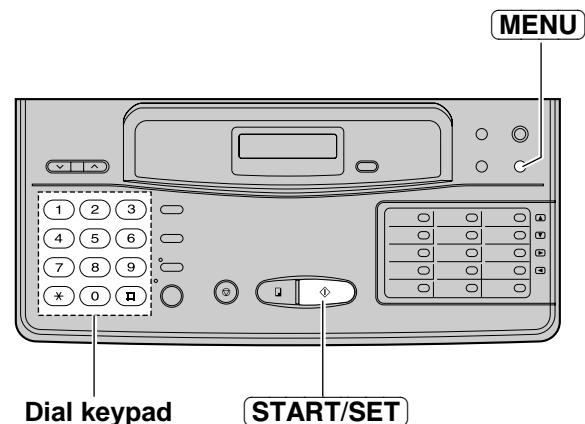
FROM : NAME : _____
 FAX NO. : _____

Number of pages : _____ (including cover page)

Subject / Notes : _____

To print a cover page, proceed as follows:

- 1 Press **MENU** until the following is displayed.
- PRINT LIST
- 2 Press **#**, then **7**.
- FAX COVER PAGE
- 3 Press **START/SET** to start printing.
- PRINTING
- 4 Press **MENU**.



Remote fax receiving using an extension

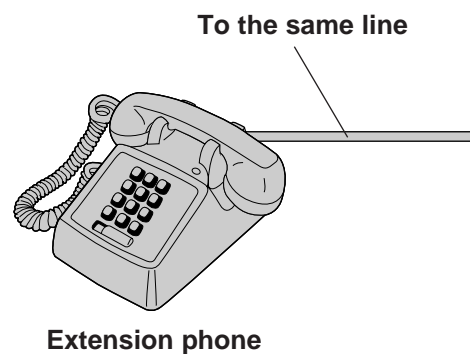
If you have an extension phone on the same line, it is possible to receive a fax message to your facsimile unit. Using the extension phone, dial the remote fax activation code. This saves you from going to the facsimile unit and pressing **START/SET**.

Important:

- To activate this feature, use a touch tone telephone as the extension phone.
- The remote fax activation code is set to “*9” as a preselected setting.

Using an extension

- 1 When a call is received, lift the handset of the extension phone.
- 2 When:
 - document reception is required, or
 - a slow beep is heard, or
 - no sound is heard,
 press *9 (remote fax activation code).
- 3 Replace the handset.
 - The facsimile unit will activate the fax function to receive documents.



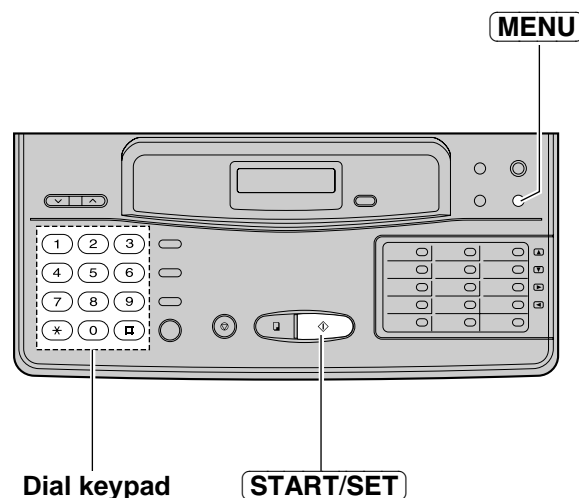
Changing the remote fax activation code

This code can be from 2 to 4 digits in length using the numbers 0 through 9 and the character *.

Important

- This code should not be set to “0000”.
- The remote fax activation code must be different from the first 2 digits of a remote ANS ID (page 57), a mailbox password (page 53), a remote TAM activation ID (page 25) and a junk mail prohibitor ID (page 43).

- 1 Press **MENU**.
SYSTEM SET UP
- 2 Press **#**, then **4** **1**.
REMOTE FAX ACT.
- 3 Press **START/SET**.
CODE=* 9
- 4 Enter the new code number.
- 5 Press **START/SET**.
- 6 Press **MENU**.



Note:

Some special telephone company services will require you to press a service access code. If you subscribe to such services, the whole or part of the remote fax activation code must be different from the service access code.

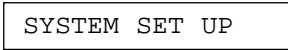

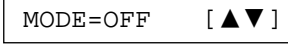


Junk mail prohibitor

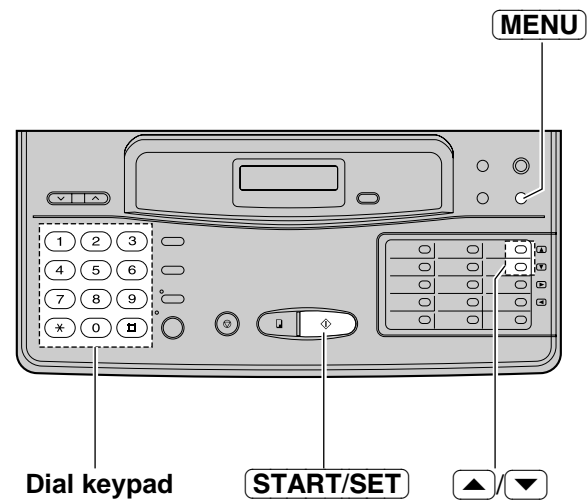
This feature prevents reception from facsimile machines whose phone numbers are not stored in automatic dialing.

Important:

- This feature does not work under the following conditions:
 - when the unit is in the TEL mode,
 - when manual reception is performed, or
 - the other party does not program their facsimile ID number correctly.
- If you wish to receive documents from unauthorized machines, inform your junk mail prohibitor ID to callers, and ask them to transmit documents manually.
- The junk mail prohibitor ID must be different from the first 2 digits of a remote ANS ID (page 57), a mailbox password (page 53), a remote TAM activation ID (page 25) and a remote fax activation code (page 42).

Setting the junk mail prohibitor

- 1 Press **MENU**.

- 2 Press **#**, then **2** **4**.

- 3 Press **START/SET**.

- 4 Press **▲** or **▼** to select "ON".

 - If this feature is not required, select "OFF".
- 5 Press **START/SET**.

- 6 To change the junk mail prohibitor ID, enter the desired 2-digit number.
 - 0, # and * cannot be used.
- 7 Press **START/SET**.
- 8 Press **MENU**.



Transmitting documents to your unit with the prohibitor ID

Even if the junk mail prohibitor feature is activated, a designated caller will be able to transmit documents. Give your junk mail prohibitor ID to all your designated callers, and advise them of the following steps. This operation is available when your unit is in the TEL/FAX, EXT. TAM or ANS/FAX mode.

1. Call your unit from a touch tone telephone.
2. Listen for the different ring back tone or greeting message.
3. Dial the prohibitor ID.
4. Listen for the fax tone, and start transmission.

Receiving with distinctive ring service

Before using this feature, please consult with your local telephone company for the availability of this service in your area.

The distinctive ring service gives you an additional phone number with a different ring pattern (triple ring) on a single telephone line.

When you wish to use this phone number as a facsimile telephone number, set the ring pattern detection feature to ON. When the unit detects a call matching the distinctive ringing pattern, the unit will automatically activate the fax function to receive documents.

To use this feature effectively, set the unit to the TEL/FAX, EXT. TAM or ANS/FAX mode.

Setting the ring pattern detection

1 Press **MENU**.

SYSTEM SET UP

2 Press **#**, then **3** **1**.

RING DETECTION

3 Press **START/SET**.

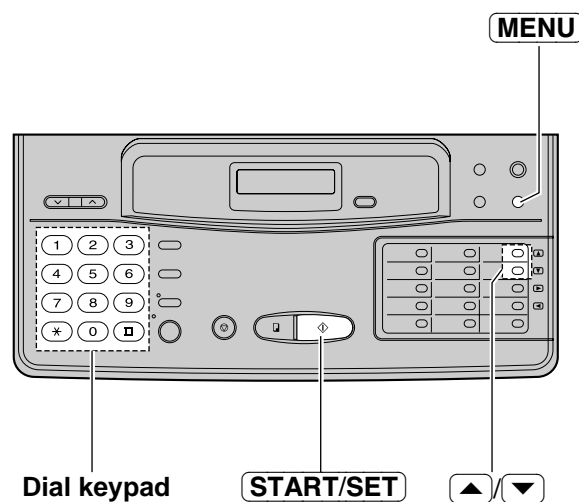
MODE=OFF [▲▼]

4 Press **▲** or **▼** to select "ON".

- If this feature is not required, select "OFF".

5 Press **START/SET**.

6 Press **MENU**.



How the unit will answer in each receive mode

TEL/FAX mode: When a distinctive ring pattern is detected, the unit will automatically answer the call without ringing and activate the fax function to receive documents. If a normal ring pattern, is detected the unit will ring until you pick up the handset.

EXT. TAM or

ANS/FAX mode: When a distinctive ring pattern is detected, the unit will automatically answer the call and activate the fax function to receive documents. If a normal ring pattern is detected, the fax and/or the answering system will activate depending on the call.

Note:

- The unit automatically answers a distinctive ring call after the second ring. To change the number of rings, change the FAX mode ring count (page 23) after setting the ring detection feature.
- When in the TEL mode, you have to answer all calls manually.
- When in the FAX mode, the unit will automatically answer all calls and activate fax function.

Logo print position

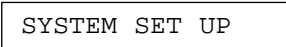


Logo, telephone number, date, time and page number will be printed on the transmitted document from your unit in the following manner.

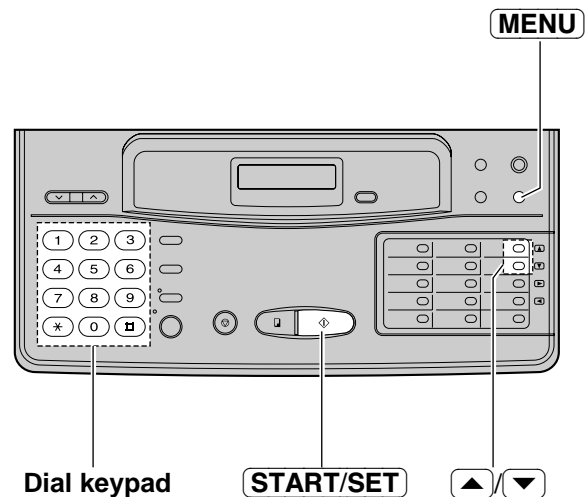
OUT: Outside of the transmitted document's paper size (pre-selected setting)

IN: Inside of the transmitted document's paper size

OFF: Not printed

To change the setting, proceed as follows.

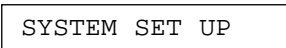
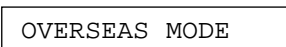
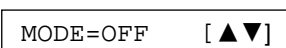

- 1 Press **MENU**.

- 2 Press **#**, then **2** **1**.

- 3 Press **START/SET**.

- 4 Press **▲** or **▼** to select the desired setting.
- 5 Press **START/SET**.
- 6 Press **MENU**.

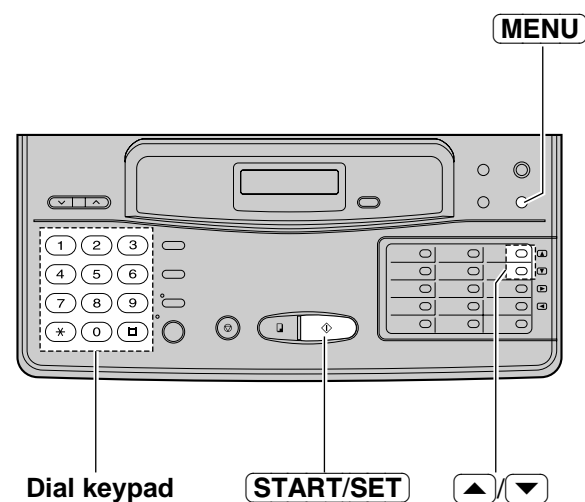


Overseas transmission mode

You may experience difficulty in transmitting documents overseas.

This feature will make sending documents easier as the transmission speed is slowed down.

- 1 Press **MENU**.

- 2 Press **#**, then **2** **3**.

- 3 Press **START/SET**.

- 4 Press **▲** or **▼** to select "ON".

 - If this feature is not required, select "OFF".
- 5 Press **START/SET**.
- 6 Press **MENU**.
 - Then start transmission procedure (see pages 18 and 19).



Note:

- After the transmission has completed, this feature will be turned off automatically.
- When using this feature, transmission time will increase.

Copy reduction mode

When you copy documents that are longer than the recording paper, the unit can reduce the original document and print it out on one page by programming a suitable reduction rate below. The reduction rate is determined by a combination of the size of recording paper and original document.

■ Recommended reduction rate:

Mode	Size of recording paper	Size of original document
OFF (pre-selected)	A4	A4, Letter
72%	A4	Legal

A4 = 210×297 mm (8¼"×11⅛")

Letter = 216×279 mm (8½"×11")

Legal = 216×356 mm (8½"×14")

To program a reduction rate, proceed as follows.

1 Press **MENU**.

SYSTEM SET UP

2 Press **#**, then **3** **5**.

COPY REDUCTION

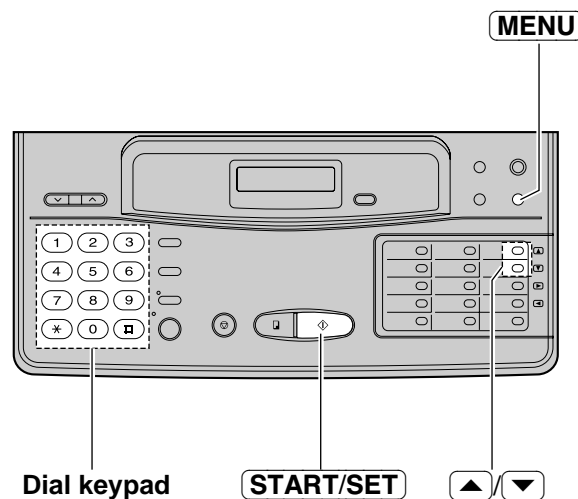
3 Press **START/SET**.

MODE=OFF [▲▼]

4 Press **▲** or **▼** to select the desired mode.

5 Press **START/SET**.

6 Press **MENU**.



Note:

If the appropriate reduction rate is not programmed, the document may be divided and the top of the second sheet will be deleted.

Receiving reduction mode

When the size of the documents sent by the other party is as large as, or larger than the recording paper, the unit can reduce each page of the document and print it out on the recording paper at a suitable reduction rate below. The reduction rate is determined by a combination of the size of the recording paper and received document.

■ Recommended reduction rate:



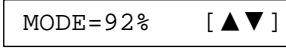
Mode	Size of recording paper	Size of received document
OFF	A4	Letter
92% (pre-selected)	A4	A4
72%	A4	Legal

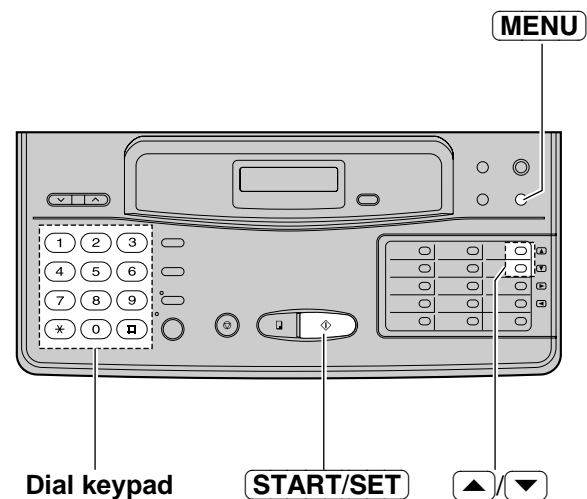
A4 = 210×297 mm (8¼"×11¹¹/₁₆")

Letter = 216×279 mm (8½"×11")

Legal = 216×356 mm (8½"×14")

To program a reduction rate, proceed as follows.

- 1 Press **MENU**.

- 2 Press **#**, then **3** **6**.

- 3 Press **START/SET**.

- 4 Press **▲** or **▼** to select the desired mode.
- 5 Press **START/SET**.
- 6 Press **MENU**.



Note:

- This feature is not available when the film/paper save reception feature is set to ON (page 48).
- Documents received by facsimile frequently have a heading on the top of each page which contains the sender's name/phone number. This increases the length of each page. Therefore, it is recommended to use the reduction mode.
- If the appropriate reduction rate is not programmed, the over-sized document will be divided.

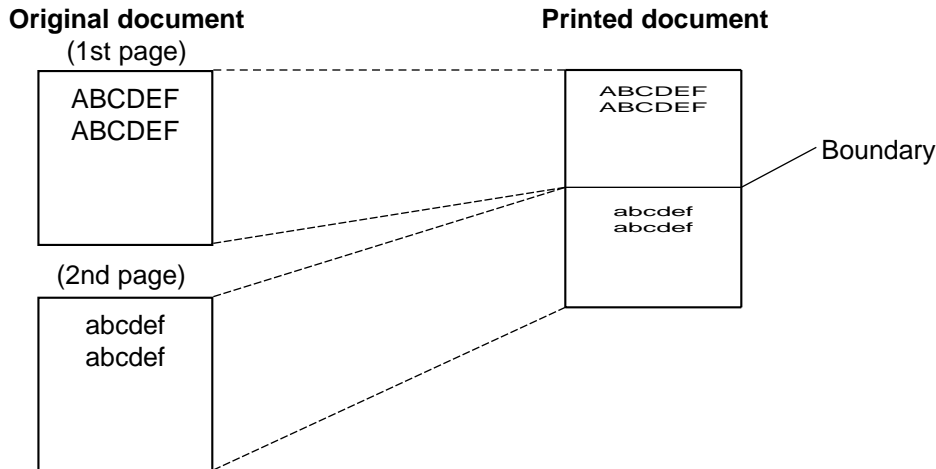
Film/Paper save reception

Use this feature if you wish to save film and recording paper when receiving two or more faxed pages. When this feature is set, the unit will reduce documents to half their length and print out two pages of documents on one page. A boundary will be printed out between the documents.

Important:

This feature will not work when the other party sends a document in fine resolution or other nonstandard resolutions.

Sample of paper save print:



To activate this feature

- 1 Press **FILM/PAPER SAVE**.
 - The following messages will be alternately displayed.

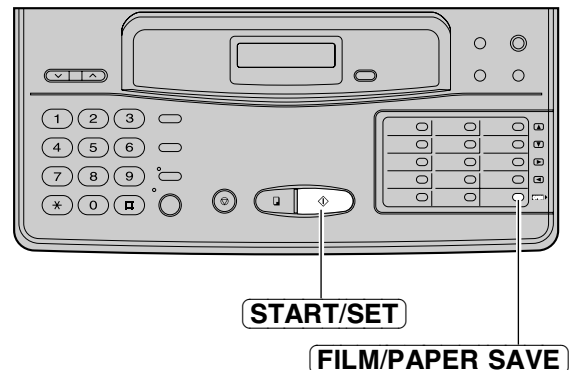
PAPER SAVE=ON?

YES: PRESS SET

- 2 Press **START/SET**.

FILM/PAPER SAVE

- The arrow mark will be displayed.



To deactivate this feature

- 1 Press **FILM/PAPER SAVE**.
 - The following messages will be alternately displayed.

PAPER SAVE=OFF?

YES: PRESS SET

- 2 Press **START/SET**.

Note:

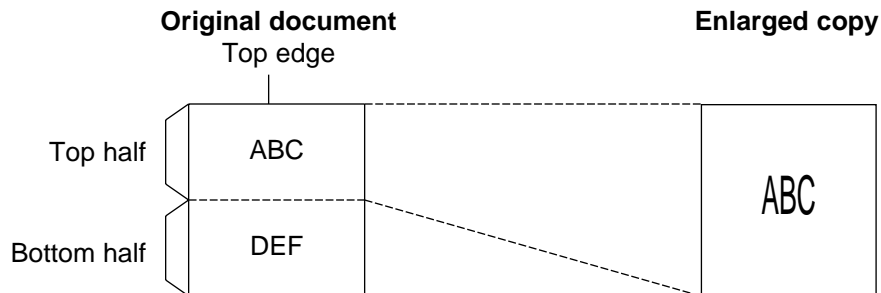
- When a reduced document is longer than the recording paper, it will be printed on two pages. The continuation will be printed on next page and there may be wasted space. In this case, paper and film will not be saved for the wasted space.
- When documents are longer than legal size (356 mm in length), the unit will not print the next page of the document on the same page.
- Paper and film will not be saved for one page document and the last page of odd numbered documents.

Extension copy

Use this feature to enlarge a document to twice the length of the paper that is correctly being used in the paper cassette. This feature is used to reverse the film/paper save function (see page 48).

Sample of extension copy:

When you wish to enlarge the top half of the document:



Insert a document into the unit from the top edge side FACE DOWN.

To activate this feature, proceed as follows:

1 Insert the documents FACE DOWN.

2 Press **MENU**.

SYSTEM SET UP

3 Press **#**, then **3** **4**.

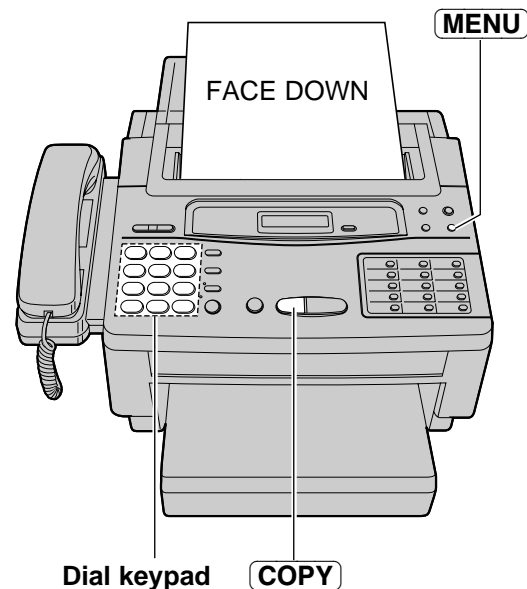
EXTENSION COPY

4 Press **COPY**.

COPYING

- The unit will start printing.

5 After printing, press **MENU**.



Note:

- You cannot select FINE or HALF TONE resolution for this feature.
- To make an enlarged copy of the whole page whose length is as long as, or shorter than your installed paper:
First insert the top half of the original document into the feeder tray and copy. Then turn the original around and insert the bottom half of the document into the feeder tray and copy.

Pager alert for fax reception

This feature allows your unit to call your pager automatically each time your unit receives a fax message. This feature will be only effective for automatic pager.

1 Press **MENU**.

SYSTEM SET UP

2 Press **#**, then **70**.

FAX PAGER

3 Press **START/SET**.

MODE=OFF [▲▼]

4 Press **▲** or **▼** to select "ON".

MODE=ON [▲▼]

•If this feature is not required, select "OFF".

5 Press **START/SET**.

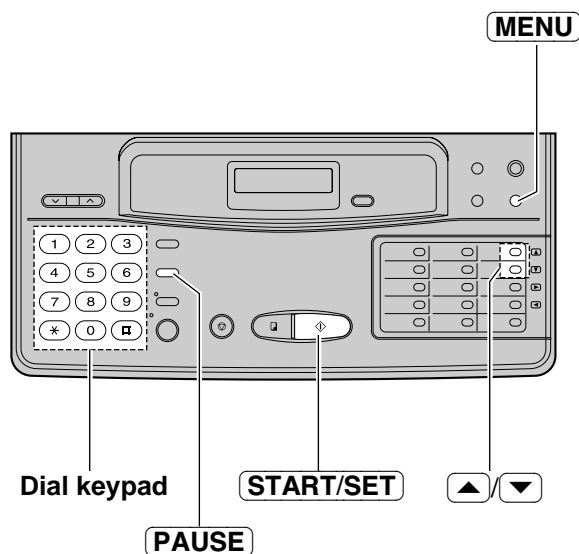
NO. =

6 Enter your pager service number.
If necessary, press **PAUSE** 4 times.
Contact your pager company regarding the proper pause time.

7 If your pager has the ability to display phone numbers, enter the number that you wish to appear in the display.
Press **#** after entering the phone number.

8 Press **START/SET**.

9 Press **MENU**.



Note:

You may enter a total of 30 digits and/or pauses in steps 6 and 7.

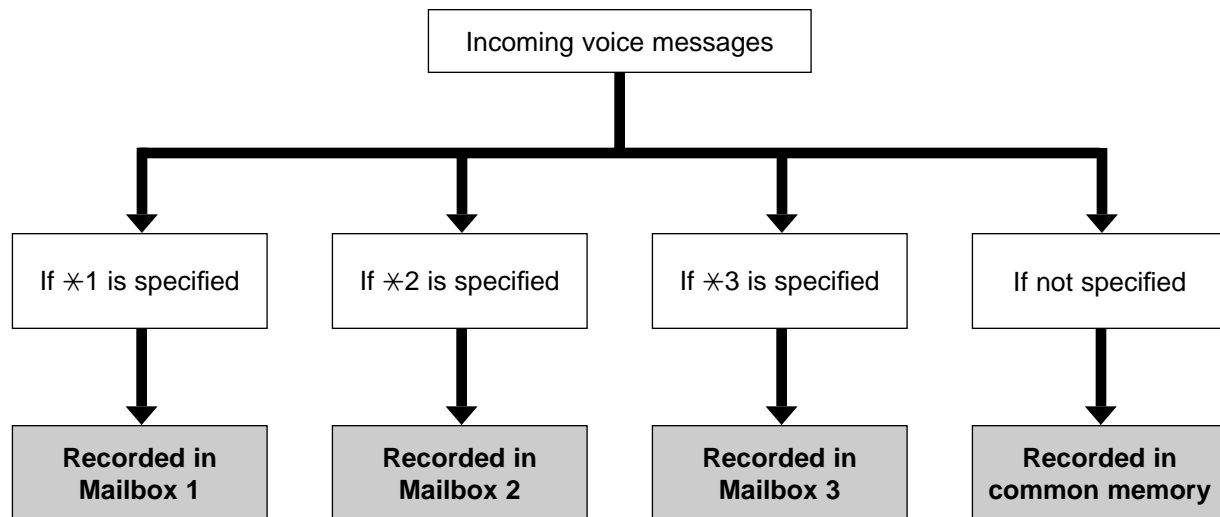
Voice mailbox (KX-F1100AL only)

The unit has four memory locations—common memory and three mailboxes. The greeting messages and incoming calls can be recorded into each memory location.

Your caller can leave a message in a specific mailbox. Only the person who knows the password can retrieve the message from the mailbox.

If your caller does not specify a mailbox, their message will be recorded in common memory and anyone can retrieve the message from memory.

This feature is useful when you use the unit with other people and when your caller would like to record a message directly to you.



To use a mailbox

1. Record the ANS/FAX mode greeting message into common memory (page 15).
2. Record personal greeting message(s) into the mailbox(es).
3. Program each mailbox password.
4. In order to leave a message in a mailbox, each owner of the mailbox must inform callers of their mailbox number in advance.

Recording a mailbox greeting message

Record a personal greeting message for each mailbox. This will be played back to the caller who selected the specific mailbox.

Helpful hints:

- Each greeting message can be recorded up to 16 seconds. We recommend you record a brief greeting message to leave more time for incoming messages.
- If you do not record a mailbox greeting message, incoming messages will be recorded after the long beep.

- 1 Open the station key panel.
- 2 Press **SELECT** until the desired mailbox number is displayed.

Example: Mailbox 2

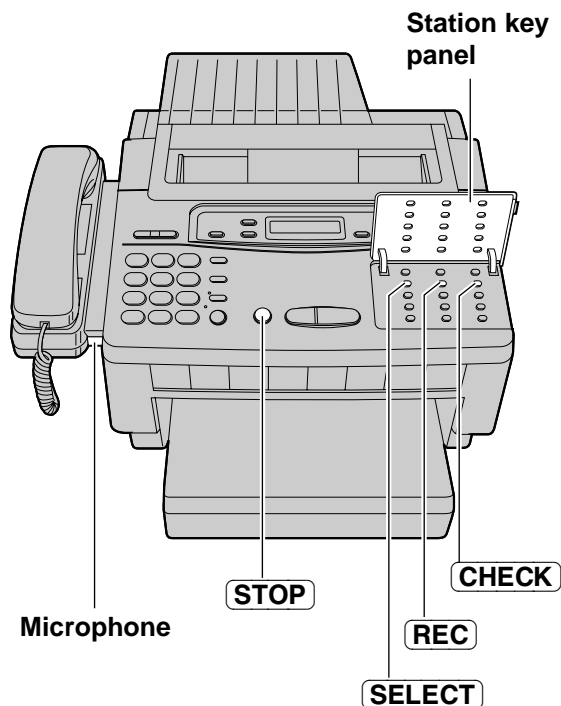
BOX2-GREETING

- 3 Press **REC**.
 - A long beep will sound.

- 4 Immediately after the long beep, speak clearly 20 cm (8 inches) away from the microphone.
 - The display shows the elapsed recorded time.

BOX2 REC. 02s

- 5 When finished, press **STOP**.



Note:

If you make a mistake while recording, repeat from step 2.

Suggested message

“Hello, this is John. Sorry, I cannot take your call. Please leave your message after the beep. Thank you.”

To check your mailbox greeting message

1. Press **SELECT** until the desired mailbox number is displayed.
2. Press **CHECK**.

To erase a mailbox greeting message

1. Press **SELECT** until the desired mailbox number is displayed.
2. Press **REC**.
3. Press **STOP** immediately after a long beep.

Programming the mailbox password

Program your own password for your mailbox to prevent other users from retrieving messages. Choose any 3-digit number except a number using digits 0 or 7.

Important:

The mailbox password must be different from the first 2 digits of a remote ANS ID (page 57), a junk mail prohibitor ID (page 43) and a remote fax activation code (page 42).

- 1 Press **MENU**.

SYSTEM SET UP
- 2 For mailbox 1, press **#**, then **5** **1**.

BOX1 PASSWORD

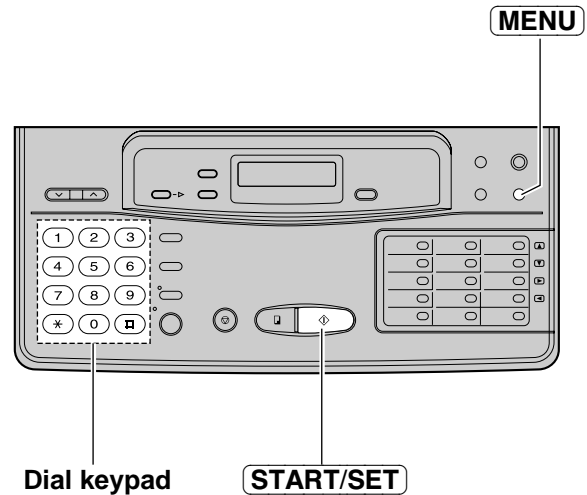
For mailbox 2, press **#**, then **5** **2**.

BOX2 PASSWORD

For mailbox 3, press **#**, then **5** **3**.

BOX3 PASSWORD
- 3 Press **START/SET**.

NO. =
- 4 Enter the new password.
- 5 Press **START/SET**.
 - To program other passwords, repeat from step 2.
- 6 Press **MENU**.



How incoming messages are recorded in a mailbox

In order to leave a message in a mailbox, each owner of a mailbox must inform their callers of their mailbox number in advance and set the unit to the ANS/FAX mode.

- 1 A caller calls your unit (from a touch tone telephone only).
 - The ANS/FAX mode greeting message will play.
- 2 They press *****, then the desired mailbox number (1–3).
 - Personal greeting message will play, followed by a long beep.
- 3 They leave a message in the mailbox.

Note:

If a caller does not specify a mailbox in step 2, the message will be recorded into common memory.

Listening to messages in a mailbox

When there is a new message in a mailbox,
 —the mailbox number will flash in the display, and/or
 —a slow beep will sound if mailbox alert (page 55) is set to ON.

- 1 Press **MAIL BOX** repeatedly until the desired mailbox number is displayed.

Example: Mailbox 2

BOX2 02

- 2 Enter the mailbox password.

Example: The password 555 (factory setting)

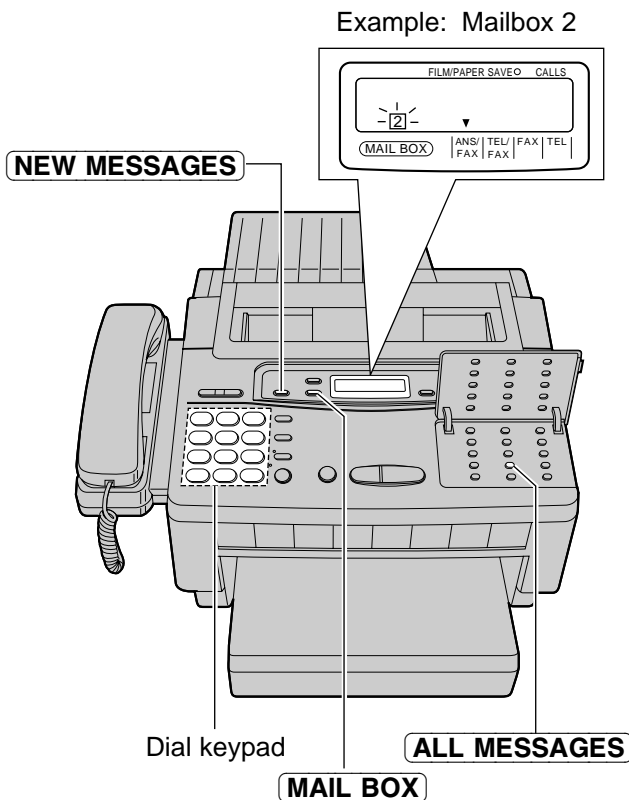
PASSWORD=555

- The unit will play back the new recorded messages.
- If no new messages are recorded, the unit will play back all of the recorded messages.

- 3 To exit the mailbox, press **MAIL BOX**.

Note:

- If you leave the mailbox password as “555” (factory setting), you need not enter a password. Press **NEW MESSAGES** or **ALL MESSAGES** instead of a password.
- REPEAT**, **SKIP** and **STOP** can be used.



Erasing recorded messages in a mailbox

Erasing a specific message in a mailbox

Press **ERASE** while the message you want to erase is playing.

Erasing all messages in a mailbox

- 1 Press **MAIL BOX** repeatedly until the desired mailbox number is displayed.

Example: Mailbox 1

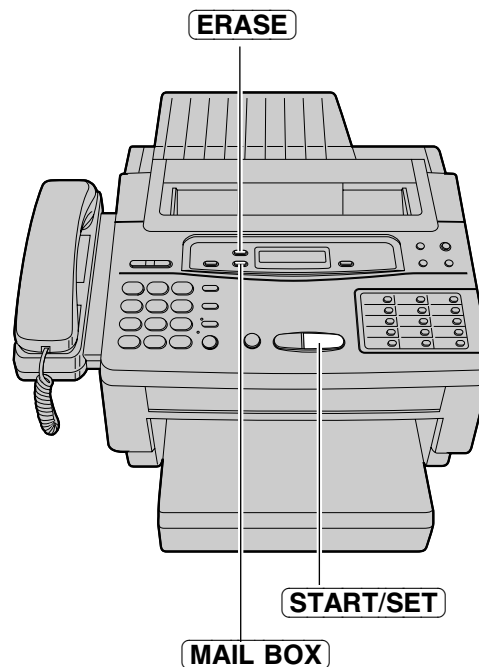
BOX1 02

- 2 Press **ERASE**.

BOX1 ERASE OK?

- 3 Press **START/SET**.

ERASE COMPLETED



Setting the mailbox alert

This feature allows your unit to alert you with a slow beep if a caller's message has been recorded in a mailbox.

- 1 Press **MENU**.

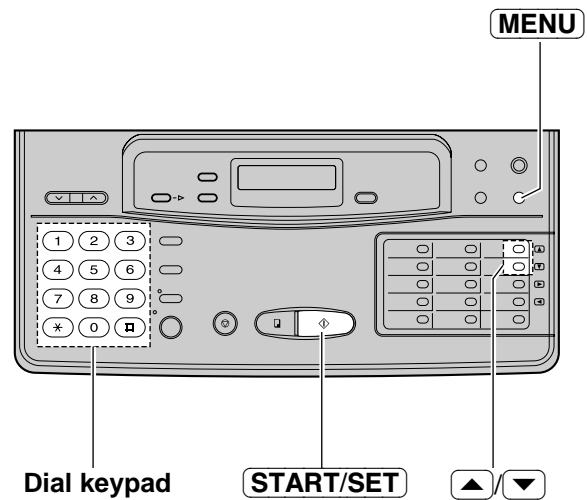
SYSTEM SET UP
- 2 Press **#**, then **50**.

MAIL BOX ALERT
- 3 Press **START/SET**.

MODE=OFF [▲▼]
- 4 Press ▲ or ▼ to select "ON".

MODE=ON [▲▼]

 - If this feature is not required, select "OFF".
- 5 Press **START/SET**.
- 6 Press **MENU**.

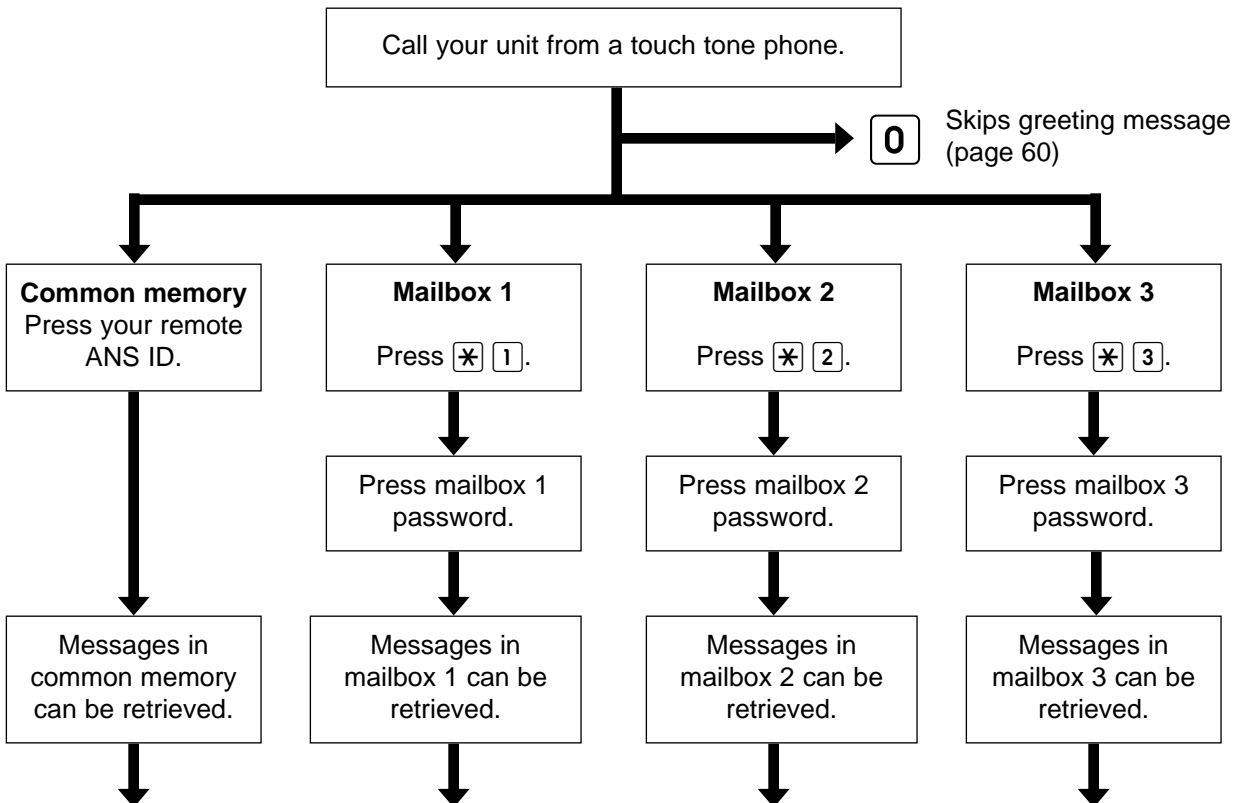


Remote operation from a touch tone phone

(KX-F1100AL only)

You can access your unit and retrieve the incoming messages from a remote location with a touch tone telephone.

Summary of remote operations



The following remote operations are available.

- | | |
|---|---|
| 1 Repeats message (page 58) | 9 Stops re-recording of a greeting message (page 60) |
| 2 Skips message (page 58) | * 4 Erases a specific message (page 59) |
| 4 New message playback (pages 57 and 58) | * 5 Erases all messages (page 59) |
| 5 All message playback (pages 57 and 58) | 8 1 Turns on pager alert for incoming message (page 60) |
| 6 Room monitor (page 59) | 8 2 Turns off pager alert for incoming message (page 60) |
| 7 Re-records greeting message (page 60) | |

Programming the remote ANS ID

The remote ANS ID is used to access your answering device and listen to your messages in common memory.

Choose any number from 111 to 999 except a number using digits 0 or 7.

Important:

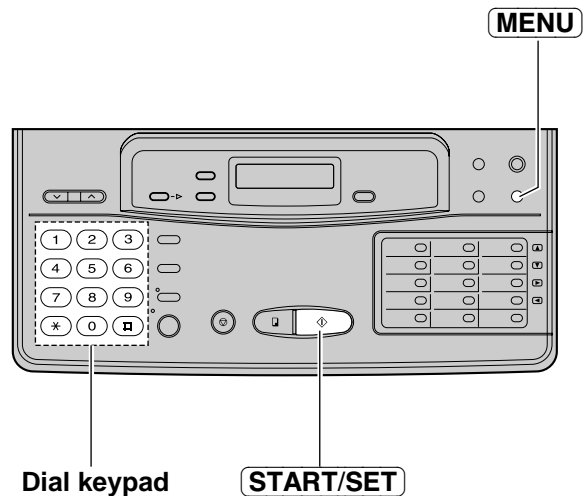
The remote ANS ID must be different from the first 2 digits of a junk mail prohibitor ID (page 43), a remote fax activation code (page 42) and a mailbox password (page 53).

- 1 Press **MENU**.

SYSTEM SET UP
- 2 Press **#**, then **10**.

REMOTE ANS ID
- 3 Press **START/SET**.

ID=111
- 4 Enter the desired number.
- 5 Press **START/SET**.
- 6 Press **MENU**.



Listening to messages in common memory

- 1 Call your unit.
- 2 Press the remote ANS ID during the ANS/FAX mode greeting playback.
 - A long beep and a short beep(s) will sound. Short beep(s) indicate(s) the number of new recorded messages. Short beeps will sound up to 8 times even if 9 or more calls are recorded.
- 3 Press **4** to listen to new recorded messages. OR Press **5** or wait for 4 seconds to listen to all of the recorded messages.

Note:

If you hear 6 beep tones after playing back the messages, memory is full. You must erase some or all of the messages.

To listen to messages in a mailbox after playback

1. Press ***** and the desired mailbox number **1**, **2** or **3**.
2. Press the mailbox password.
3. Press the direct remote command **4** or **5** to play back messages.

Listening to messages in a mailbox

- 1 Call your unit.
- 2 Press ***** and the desired mailbox number (**1**, **2**, **3**) during the ANS/FAX mode greeting playback.
- 3 Enter a mailbox password during a personal greeting message.
 - A long beep and a short beep(s) will sound. Short beep(s) indicate(s) the number of newly recorded messages. Short beeps will sound up to 8 times even if 9 or more calls are recorded.
- 4 Press **4** to listen to newly recorded messages.
OR
Press **5** or wait for 4 seconds to listen to all the recorded messages.

Note:

If you hear 6 beep tones after playing back the messages, memory is full. You must erase some or all of the messages.

To listen to messages in another memory after playback:

1. Press *****, and **0** (for common memory), or
press ***** and other mailbox number **1**, **2** or **3**.
2. If you selected common memory, press the remote ANS ID,
or
If you selected a mailbox, press the mailbox password.
3. Press the direct remote command **4** or **5** to play back messages.

During playback

Repeating a message

Press **1** to start playing the previous message.

Skipping a message

Press **2** to start playing the next message.

Erasing messages from memory

Erasing a specific message from memory

Press **[*] 4** when the message you want to erase is being played.

- The unit will erase the message being played back.
- A long beep followed by three short beeps will sound. Then the unit will continue with the next message.

Erasing all messages from memory

You can erase all of the recorded messages in memory.

To erase all of the messages in a mailbox, you must first select a mailbox.

Press **[*] 5**.

- A long beep followed by three short beeps will sound.
- The unit will erase all of the messages recorded in the selected memory.

Note:

The greeting messages will not be erased during this operation.

Other remote operations

Monitoring the room sound

You can monitor the sound in the room where the unit is installed for about 30 seconds.

This feature also allows you to speak with anyone in the room.

- 1 Call your unit.
- 2 Press your remote ANS ID.
OR
Press **[*]**, then press your mailbox number.
- 3 Press **6** after hearing a beep.
 - After 30 seconds are up, a beep sounds.
 - To continue monitoring, press **6** again within 10 seconds.
 - To talk to the other party, tell them to lift the handset or press **[SP-PHONE]**.

Recording a marker message

After playing back the recorded messages, you can leave an additional message.

- 1 Wait for 3 beeps indicating the end of the remote operation.
- 2 Wait about 10 seconds for 2 more beeps indicating that the unit is ready for recording.
- 3 Leave your message.

Re-recording a greeting message

You can change the content of the ANS/FAX mode greeting message and mailbox greeting message from a remote location.

- 1 Call your unit.
- 2 **For the ANS/FAX mode greeting message:**
Press your remote ANS ID.

For the mailbox greeting message:

Press ***** and **1**, **2** or **3** (desired mailbox no.). Then press the mailbox password.

- 3 Press **7** to start recording.
 - A long beep will sound.
- 4 Speak immediately after the long beep (up to 16 seconds).
 - If you pause for over 2 seconds while recording, the unit will beep and stop the greeting message recording. Repeat from step 2 within 10 seconds.
- 5 When finished, press **9**.
 - The new greeting message will be played.

Turning on/off pager alert

You can remotely turn on/off the pager alert for incoming message if it has been programmed with a pager number in advance (see page 61).

- 1 Call your unit.
- 2 **For the common pager alert;**
Press the remote ANS ID.

For a mailbox pager alert;

Press ***** and the mailbox number (**1**, **2** or **3**), then press the mailbox password.

- 3 To turn on the pager alert, press **8 1**.
To turn off the pager alert, press **8 2**.

To skip the greeting message

Callers can record their messages without listening to the greeting message.

After calling your unit, dial **0** during the greeting message playback.

- The unit will skip the rest of the greeting message and start recording.

Pager alert for incoming messages (KX-F1100AL only)

This feature allows your unit to call your pager automatically each time an incoming message is recorded. You can set the pager number for each memory (common, mailbox 1, 2 and 3). This feature will be only effective for automatic pager.

1 Press **MENU**.

SYSTEM SET UP

2 For common pager alert, press **#**, then **6 0**.

COMMON PAGER

For mailbox 1 pager alert, press **#**, then **6 1**.

MAIL BOX1 PAGER

For mailbox 2 pager alert, press **#**, then **6 2**.

MAIL BOX2 PAGER

For mailbox 3 pager alert, press **#**, then **6 3**.

MAIL BOX3 PAGER

3 Press **START/SET**.

MODE=OFF [▲▼]

4 Press **▲** or **▼** to select "ON".

MODE=ON [▲▼]

•If this feature is not required, select "OFF".

5 Press **START/SET**.

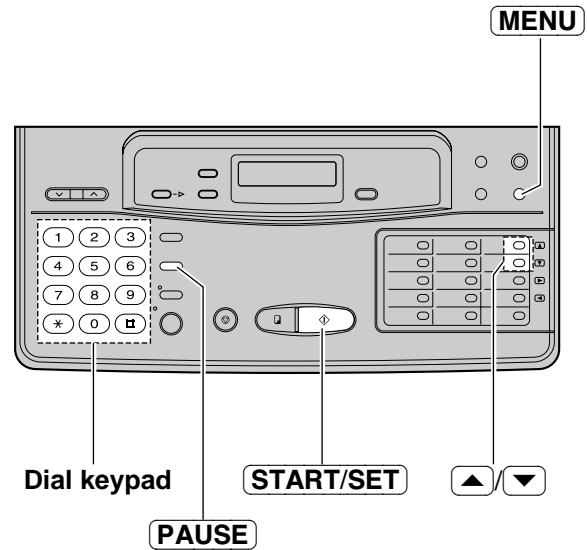
NO. =

6 Enter your pager phone number.
If necessary, press **PAUSE** 4 times.
Contact your pager company regarding the proper pause time.

7 If your pager has the ability to display phone numbers, enter the number that you wish to appear on the display.
Press **#** after entering the phone number.

8 Press **START/SET**.

9 Press **MENU**.



Note:

- You may enter a total of 30 digits and/or pauses in steps 6 and 7.
- This feature can be turned on/off remotely from a touch tone phone (see page 60).
- When the pager beeps, call your unit from a touch tone telephone to retrieve the message.

Day/night mode (KX-F1100AL only)

If you wish to use the unit as a telephone and facsimile during the business hours and switch to the answering device during off hours, activate this feature.

The unit will automatically switch the receiving mode at a preprogrammed time without the operator's assistance.

1 Press **MENU**.

SYSTEM SET UP

2 Press **#**, then **3** **2**.

DAY/NIGHT MODE

3 Press **START/SET**.

MODE=OFF [▲▼]

4 Press ▲ or ▼ to select "ON".

MODE=ON [▲▼]

- If this feature is not required, select "OFF".

5 Press **START/SET**.

DAY =12:00AM

6 Enter the time at which the day mode (TEL/FAX mode) starts.

Example: 9:00AM

Press 0900, then press ***** to select AM.

DAY =09:00AM

7 Press **START/SET**.

NIGHT=12:00AM

8 Enter the time at which the night mode (ANS/FAX mode) starts.

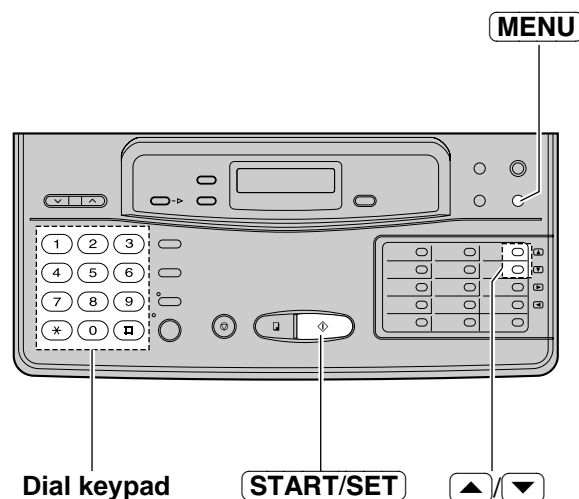
Example: 5:00PM

Press 0500, then press **#** to select PM.

NIGHT=05:00PM

9 Press **START/SET**.

10 Press **MENU**.



Note:

If you select another receiving mode manually when this feature is on, the unit will keep the receiving mode that you select until either the day or night mode starts.

Display contrast

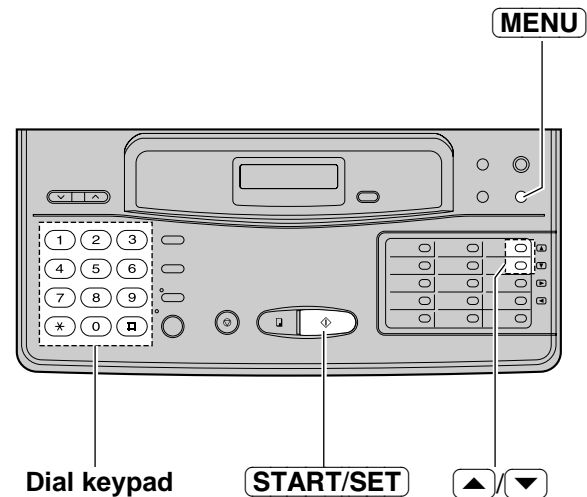
Use this feature to adjust the brightness of the display. The following choices are available.

NORMAL: (Pre-selected setting)

LIGHT: Used when the display contrast is dark.

DARKER: Used when the display contrast is light.

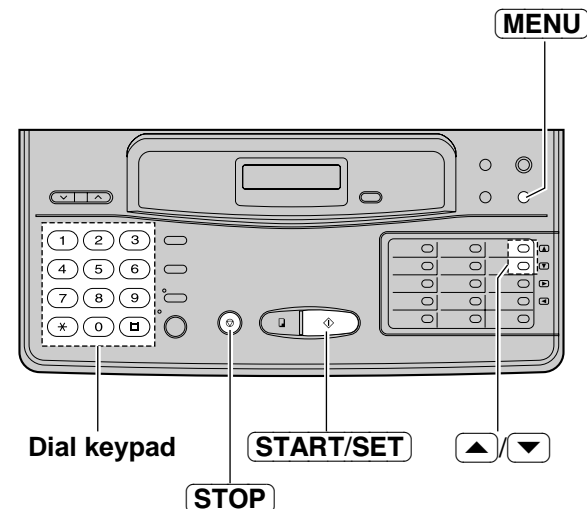
- 1 Press **MENU**.
SYSTEM SET UP
- 2 Press **#**, then **3 9**.
LCD CONTRAST
- 3 Press **START/SET**.
MODE=NORMAL [▲▼]
- 4 Press ▲ or ▼ to select the desired mode.
- 5 Press **START/SET**.
- 6 Press **MENU**.



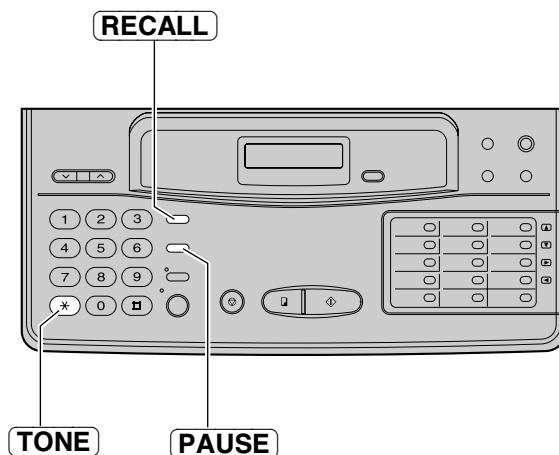
Resetting the advanced features

Use this feature to return the advanced features (see page 68 or 69) to their initial settings.

- 1 Press **MENU**.
SYSTEM SET UP
- 2 Press **#**, then **8 0**.
SET DEFAULT
- 3 Press **START/SET**.
RESET=NO [▲▼]
- 4 Press ▲ or ▼ to select "YES".
RESET=YES [▲▼]
- 5 Press **START/SET**.
RESET OK?
- If this feature is not required, press **STOP**.
- 6 Press **START/SET** again for confirmation.
RESET COMPLETED
- 7 Press **MENU**.



TONE, RECALL and PAUSE buttons



TONE button

The TONE (*) button is used when your line has a rotary pulse dial service. Pressing the button allows you to change temporarily from pulse to tone mode during a dialing operation. When you hang up, the unit will automatically return to pulse mode.

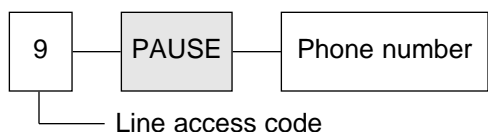
RECALL button

The RECALL button allows you to use special features of the host exchange (if connected) or local telephone company services such as call waiting. For further details, contact the supplier or your local telephone company.

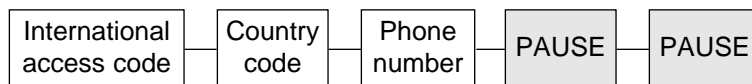
PAUSE button

Pressing the REDIAL/PAUSE button causes a dialing delay in the dialing sequence.

Example-1: When your unit is connected to a host exchange, insert a pause as follows to get an outside line.



Example-2: If a transmission error occurs frequently when making an overseas transmission, add two pauses at the end of the phone number.



Note:

TONE, RECALL and PAUSE can be stored into a phone number for automatic dialing.

Printing reports and lists

You can print out the following reports/lists from your unit.

Feature list—provides you with the current settings of the basic and advanced programming features (see page 68 or 69).

Telephone number list—provides you with phone numbers and their station names which are stored in automatic dialing.

(Code in each phone number)

P: A pause has been entered.

[]: A secret phone number has been entered.

F: A recall has been entered.

(The telephone number is not printed.)

Journal report—is useful for keeping records of fax transmissions and receptions. This report will be printed automatically after every 35 fax communications, but can be printed manually as shown below. You can change the setting of the journal auto print feature (see page 66).

Printer test list—allows you to check the print quality of your unit. If the test print has a dirty pattern, or blurred points or lines, clean the thermal head (see page 77).

Transmission report—provides you a printed record of the fax transmission result. For further details, see page 66.

How to print each report/list

- 1 Press **MENU** until the following is displayed.

PRINT LIST

- 2 For the feature list, press **#**, then **1**.

SETUP LIST

For the telephone number list, press **#**, then **3**.

TEL NO. LIST

For the journal report, press **#**, then **4**.

JOURNAL REPORT

For the printer test list, press **#**, then **5**.

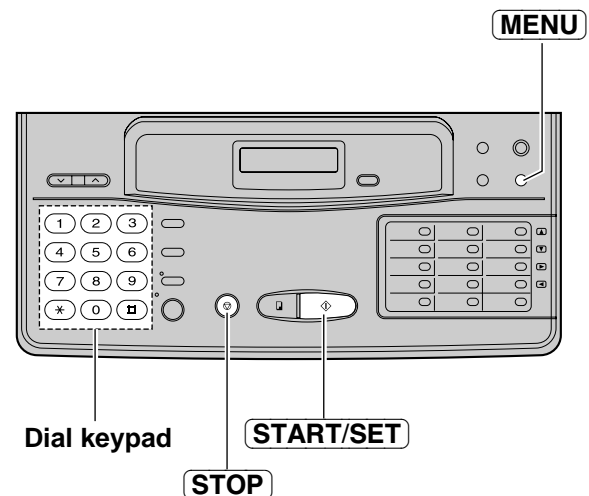
PRINTER TEST

- 3 Press **START/SET** to start printing.

PRINTING

•To interrupt printing, press **STOP**.

- 4 After printing, press **MENU**.



Setting the transmission report printing

One of the following choices is available.

ERROR: The transmission report will print out only when the fax transmission fails.

ON: The report will always print out, indicating whether fax transmission is successful or not.

OFF: The report will not print (pre-selected setting).

1 Press **MENU**.

SYSTEM SET UP

2 Press **#**, then **04**.

TX-REPORT MODE

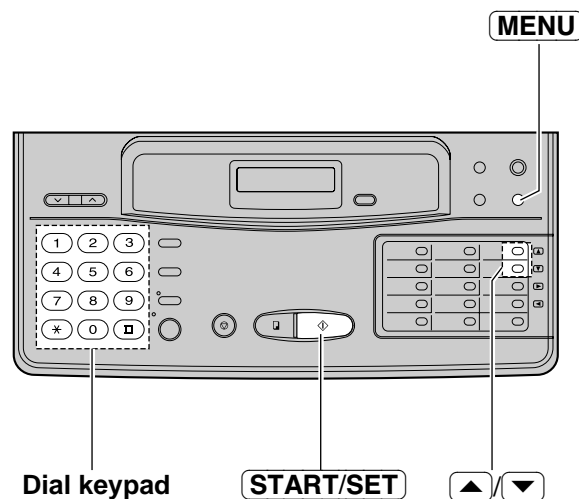
3 Press **START/SET**.

MODE=OFF [▲▼]

4 Press **▲** or **▼** to select the desired mode.

5 Press **START/SET**.

6 Press **MENU**.



Setting journal auto print

The unit will automatically print a journal report after every 35 fax communications. After printing, the journal memory will be erased and only subsequent activity will be recorded.

When this feature is deactivated, the unit will store the records of the last 35 fax communications, but the unit will not print the journal report automatically.

1 Press **MENU**.

SYSTEM SET UP

2 Press **#**, then **22**.

AUTO JOURNAL

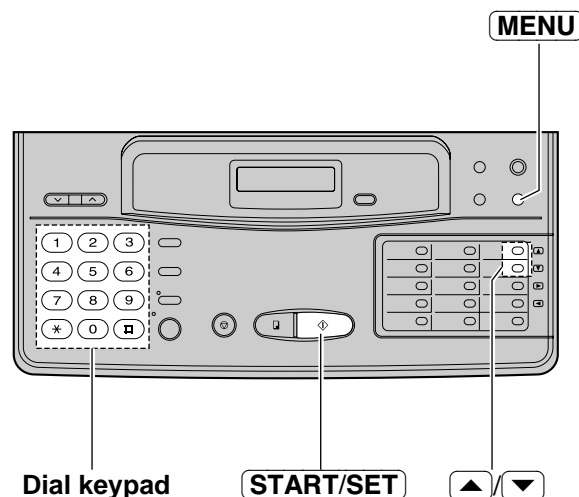
3 Press **START/SET**.

MODE=ON [▲▼]

4 Press **▲** or **▼** to select the desired mode.

5 Press **START/SET**.

6 Press **MENU**.



Sample of journal report

JOURNAL									
Jan. 25 1996 05:22PM									
NO.	OTHER FACSIMILE	START TIME	USAGE TIME	MODE	PAGES	RESULT	*CODE		
01	1234567	Jan. 21 02:14PM	00'25	TX	01	OK			
02	9998765	Jan. 21 02:17PM	00'38	TX	02	OK			
03	2121444	Jan. 21 02:18PM	00'28	RX	01	OK			
04	555556677	Jan. 22 10:35AM	00'58	TX	03	COMMUNICATION ERROR	(43)		
05			01'50	TX	05	OK			
				RX	03	OK			

Sample of transmission report

XMT REPORT									
Jan. 20 1996 01:19PM									
NO.	OTHER FACSIMILE	START TIME	USAGE TIME	MODE	PAGES	RESULT	*CODE		
01	COMPANY ABC	Jan. 20 01:18PM	00'51	TX	00	COMMUNICATION ERROR	(43)		

Communication
result (see below)

Error code
(for service
personnel
use only)

Communication result on the report

When a problem has occurred, one of the following messages will be printed on the transmission report and the journal report.

PRINTED MESSAGE	CODE	MEANING
COMMUNICATION ERROR	41-47 FF	A transmission or reception error occurred. Try again or check the other party.
DOCUMENT JAMMED		A document was jammed. Remove the jammed document (see page 76).
FILM EMPTY		Film is empty. Replace the film or film cartridge with a new one (see page 78).
JUNKMAIL PROH. REJECT		The junk mail prohibitor of your unit rejected fax reception (see page 43).
NO DOCUMENT		The document was not fed into the unit properly. Try again.
NO RESPONSE	40 50	The receiving unit was busy or ran out of recording paper. Try again.
PAPER JAMMED		The recording paper was jammed. Clear the jammed paper (see page 74).
PAPER OUT		Your unit ran out of recording paper. Install paper (see page 5).
PRESSED THE STOP KEY		The STOP button was pressed and fax communication was cancelled.
PRINTER OVERHEATED		Printer was overheated. Leave the unit to cool down.
THE COVER WAS OPENED		The top cover was open. Close it and try again.

Summary of user programmable features

Feature tables for KX-F1000AL

Basic features

Code	Feature	Selection	Initial setting	Page
#01	SET DATE & TIME	mm/dd/yy hh:mm	(Jan./01/96 12:00AM)	12
#02	YOUR LOGO		(Panasonic FAX SYSTEM)	12
#03	YOUR TELEPHONE NUMBER			14
#04	PRINT TRANSMISSION REPORT	ERROR/ON/OFF	OFF	66
#06	TEL/FAX DELAYED RING	2–9 rings	2 rings	22
#07	FAX RING COUNT	2–9 rings	2 rings	23
#11	REMOTE TAM ACTIVATION	ON/OFF	OFF/ID=11	25

Advanced features

Code	Feature	Selection	Initial setting	Page
#21	LOGO POSITION	OUT/IN/OFF	OUT	45
#22	JOURNAL AUTO PRINT	ON/OFF	ON	66
#23	OVERSEAS MODE	ON/OFF	OFF	45
#24	JUNK MAIL PROHIBITOR	ON/OFF	OFF/ID=22	43
#25	DELAYED TRANSMISSION	ON/OFF	OFF	40
#30	SILENT FAX RECOGNITION RING	3–6 rings	3 rings	22
#31	RING DETECTION	ON/OFF	OFF	44
#34	EXTENSION COPY			49
#35	COPY REDUCTION	72%/OFF	OFF	46
#36	RX REDUCTION	92%/72%/OFF	92%	47
#38	SILENT DETECTION	ON/OFF	ON	26
#39	LCD CONTRAST	NORMAL/LIGHT/DARKER	NORMAL	63
#41	REMOTE FAX ACTIVATION CODE		*9	42
#70	FAX PAGER	ON/OFF	OFF	50
#80	SET DEFAULT	YES/NO	NO	63

Feature tables for KX-F1100AL

Basic features

Code	Feature	Selection	Initial setting	Page
#01	SET DATE & TIME	mm/dd/yy hh:mm	(Jan./01/96 12:00AM)	12
#02	YOUR LOGO		(Panasonic FAX SYSTEM)	12
#03	YOUR TELEPHONE NUMBER			14
#04	PRINT TRANSMISSION REPORT	ERROR/ON/OFF	OFF	66
#06	TEL/FAX DELAYED RING	2–9 rings	2 rings	22
#07	FAX RING COUNT	2–9 rings	2 rings	23
#08	ANS/FAX RING COUNT	2–9/TOLL SAVER/RINGER OFF	2 rings	27
#09	RECORDING TIME	VOX (unlimited)/1 minute	VOX	32
#10	REMOTE ANS ID		111	57

Advanced features

Code	Feature	Selection	Initial setting	Page
#21	LOGO POSITION	OUT/IN/OFF	OUT	45
#22	JOURNAL AUTO PRINT	ON/OFF	ON	66
#23	OVERSEAS MODE	ON/OFF	OFF	45
#24	JUNK MAIL PROHIBITOR	ON/OFF	OFF/ID=22	43
#25	DELAYED TRANSMISSION	ON/OFF	OFF	40
#30	SILENT FAX RECOGNITION RING	3–6 rings	3 rings	22
#31	RING DETECTION	ON/OFF	OFF	44
#32	DAY/NIGHT MODE	ON/OFF	OFF	62
#34	EXTENSION COPY			49
#35	COPY REDUCTION	72%/OFF	OFF	46
#36	RX REDUCTION	92%/72%/OFF	92%	47
#39	LCD CONTRAST	NORMAL/LIGHT/DARKER	NORMAL	63
#41	REMOTE FAX ACTIVATION CODE		*9	42
#42	MESSAGE ALERT	ON/OFF	OFF	32
#43	RECORDING TIME ALERT	ON/OFF	OFF	33
#50	MAIL BOX ALERT	ON/OFF	OFF	55
#51	BOX1 PASSWORD		555	53
#52	BOX2 PASSWORD		555	53
#53	BOX3 PASSWORD		555	53
#60	COMMON PAGER	ON/OFF	OFF	61
#61	MAIL BOX1 PAGER	ON/OFF	OFF	61
#62	MAIL BOX2 PAGER	ON/OFF	OFF	61
#63	MAIL BOX3 PAGER	ON/OFF	OFF	61
#70	FAX PAGER	ON/OFF	OFF	50
#80	SET DEFAULT	YES/NO	NO	63

9. Troubleshooting and Routine Care

Error messages on the display

If the unit detects a problem, one of the following messages will appear on the display.

ERROR MESSAGE	CAUSE & REMEDY
CHECK CASSETTE	●The recording paper is jammed near the paper cassette. Clear the jammed paper (see page 74).
CHECK COVER	●The top cover is open. Close it.
CHECK DOCUMENT	●The document is not fed into the unit properly. Reinsert the document and try again. If misfeeding occurs frequently, clean the feeder rollers (see page 77). If the problem remains, adjust the feeder pressure (see page 76).
CHECK FILM	●The film is not inserted in the cartridge correctly. Reinsert it correctly by referring to step 8 on page 79.
CHECK MEMORY	●Memory (phone numbers, parameters, etc.) has been erased. Re-program.
FILM EMPTY	●Film is empty. Replace the film or film cartridge with a new one (see page 78).
LOADING FILM	●The blue leader of the film was not wound completely or the unit was out of film. Wait for a while.
NO RESPONSE	●The receiving unit was busy or ran out of recording paper. Try again.
OUT OF PAPER	●The unit is out of recording paper. Install paper (see page 5).
PAPER JAMMED	●The recording paper is jammed near the head unit. Clear the jammed paper (see page 74).
POLLING ERROR	●The other fax machine does not provide the polling function. Check the other party.
REMOVE DOCUMENT	●The document is jammed. Remove the jammed document (see page 76). ●Attempted to transmit a document longer than 600 mm (23 ⁵ / ₈ "). Press the STOP button and remove the document (see page 76). Divide it into two or more sheets and try again.
TRANSMIT ERROR	●Transmission error occurred. Try again.
UNIT OVERHEATED	●The unit is overheated. Leave it to cool down.

The following will be shown on the KX-F1100AL only.

BATTERY LOW	●Battery power is low. Replace the batteries with new ones (see page 7).
MEMORY FULL	●There is no room left in memory to record a message. Erase some or all messages (see page 30).
NO ANS GREETING	●The ANS/FAX mode greeting message has not been recorded. Record the message (see page 15).
NO TEL GREETING	●The TEL/FAX mode greeting message has not been recorded. Record the message (see page 15).

Before requesting help

General

PROBLEM	CAUSE & REMEDY
I cannot make and receive calls.	<ul style="list-style-type: none"> •The power cord or telephone line cord is not connected. Confirm the connection (see page 8).
I cannot make calls.	<ul style="list-style-type: none"> •The setting of the dialing mode is wrong. Check the selector (see page 8).
The unit does not work.	<ul style="list-style-type: none"> •Disconnect the unit from the telephone line and connect to a known working phone. If the known working phone operates properly, call your service personnel to have the unit repaired. If the known working phone does not operate properly, consult your telephone company.
The unit does not ring.	<ul style="list-style-type: none"> •The ringer volume is set to OFF. Raise it to a suitable level (see page 14).
The REDIAL/PAUSE button does not function properly.	<ul style="list-style-type: none"> •If this button is pressed during dialing, a pause will be inserted. If this button is pressed immediately after the dial tone is obtained, the last number dialed will be redialed.
While programming, I cannot enter the ID code or the password.	<ul style="list-style-type: none"> •The whole or part of the number is same as the other code or ID. Change the number (see pages 25, 42, 43, 53 and 57).

Fax Transmission

PROBLEM	CAUSE & REMEDY
The other party complains that letters on their received document are distorted.	<ul style="list-style-type: none"> •If your line has special telephone services such as call waiting, the service may have been activated during the fax transmission. Connect the unit to a line that does not have such services. •Another telephone connected to the same line is off the hook. Hang up and try again.
The other party complains that a dirty pattern or a black line appears on their received documents.	<ul style="list-style-type: none"> •The glass or rollers are dirty. Clean them (see page 77).
I cannot make an international fax call.	<ul style="list-style-type: none"> •Use the overseas transmission mode (see page 45). •Add two pauses at the end of the phone number (see page 64).

Fax Reception

PROBLEM	CAUSE & REMEDY
I cannot receive documents automatically.	<ul style="list-style-type: none"> •The receive mode is set to TEL. Set to the other modes. •The time to answer the call may be too long. Decrease the number of rings (see pages 22, 23 and 27). •The greeting message may be too long. Shorten the message (see page 15).
Recording image is faint.	<ul style="list-style-type: none"> •The sender transmitted a faint document. Request them to transmit a clearer copy of the document. •The thermal head is dirty. Clean it (see page 77).
A blank sheet is ejected after the received documents are printed out.	<ul style="list-style-type: none"> •The receiving reduction rate is not programmed correctly. Program the proper reduction rate (see page 47).

Operation in EXT. TAM mode (For KX-F1000AL only)

PROBLEM	CAUSE & REMEDY
I cannot receive documents automatically	<ul style="list-style-type: none"> •Your greeting message on the answering machine is too long. Shorten the message (up to 10 seconds). •There are too many rings on the answering machine. Set to 1 or 2 rings. •The silent detection feature is deactivated. Activate this feature (see page 26).
I cannot receive voice messages.	<ul style="list-style-type: none"> •Check that the answering machine is turned on and connected to the facsimile unit properly (see page 24). •Set the number of rings on the answering machine to 1 or 2.
I cannot retrieve voice messages recorded on the answering machine from a remote location.	<ul style="list-style-type: none"> •The remote access code on your answering machine is the same as your remote fax activation code or junk mail prohibitor ID. Set a different number for each code/ID. •You did not program your remote TAM activation code in your facsimile unit correctly. Program the same code that is programmed on the answering machine (see page 25).
The greeting message on your answering machine is interrupted halfway and the caller cannot leave a voice message.	<ul style="list-style-type: none"> •The greeting message has silent pause longer than 4 seconds. Shorten the silent pause in the greeting message.
I pressed the remote access code to access the answering machine remotely, but the line was disconnected.	<ul style="list-style-type: none"> •The code may include “#” which is used for certain features provided by the telephone company. Change the code on the answering machine to another number which does not include “#”, then program the same code into the facsimile unit (see page 25).

Answering Device (For KX-F1100AL only)

PROBLEM	CAUSE & REMEDY
No voice messages have been recorded in the ANS/FAX mode.	<ul style="list-style-type: none"> •The memory is full. Erase some or all messages (see page 30).
I cannot retrieve recorded messages from a remote phone.	<ul style="list-style-type: none"> •Make sure that you use the remote ANS ID correctly (see page 57). When you dial it, press the button firmly.
Messages in the mailbox do not play back.	<ul style="list-style-type: none"> •You have programmed the mailbox password. Press the password and then try again (see page 53).

Copying

PROBLEM	CAUSE & REMEDY
A dirty pattern or black line appears on the copied documents.	<ul style="list-style-type: none"> •The glass or rollers are dirty. Clean them (see page 77).
Copied image is distorted.	<ul style="list-style-type: none"> •The thermal head is dirty. Clean it (see page 77).
The document is not copied properly.	<ul style="list-style-type: none"> •The film is not inserted correctly. Insert it correctly (see page 78).
A paper jam occurs during copying.	<ul style="list-style-type: none"> •The film is not inserted correctly. Insert it correctly (see page 78).

Clearing a recording paper jam

If a recording paper jams, the display will show one of two messages below. Remove the jammed recording paper following either message.

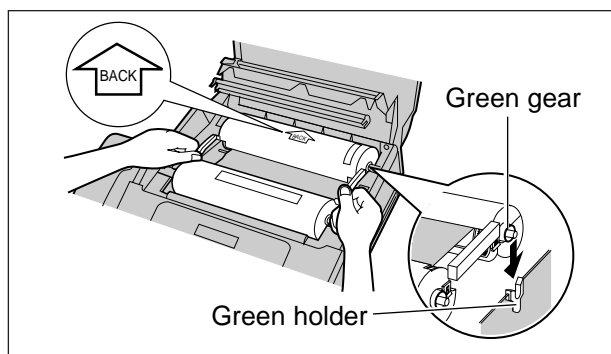
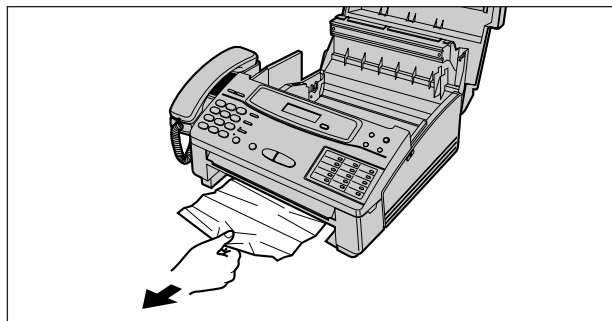
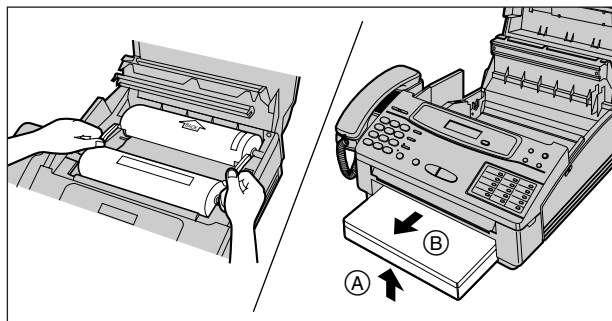
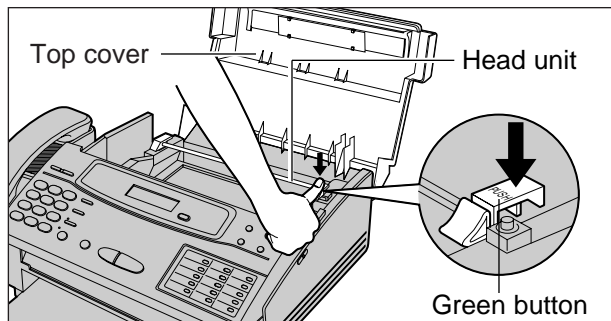
PAPER JAMMED

A recording paper jammed near the head unit.

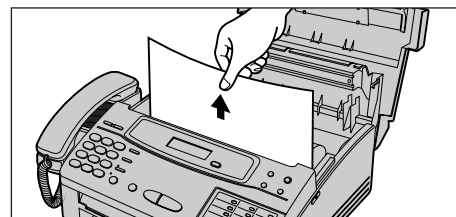
CHECK CASSETTE

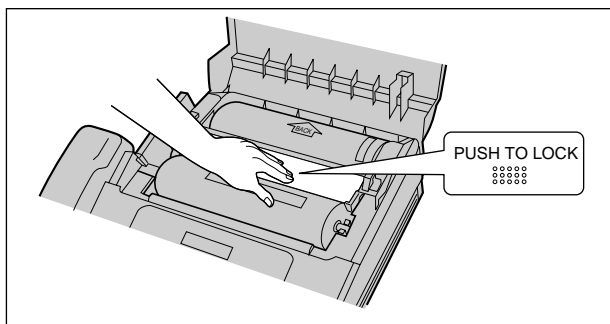
A recording paper jammed near the paper cassette.

Removing a jammed recording paper near the head unit



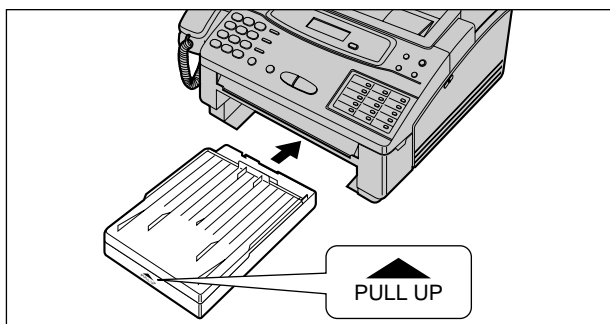
- 1 Open the top cover.
- 2 Press the green button on the right marked "PUSH" and lift up the head unit.
- 3 Remove the film cartridge.
- 4 Lift up the paper cassette slightly (A) and pull it towards you to remove it (B).
- 5 Remove the jammed recording paper.
 - If the jammed paper cannot be removed by the way of the illustration to the left, then remove it as below:
- 6 Place the "BACK" side of the cartridge into the unit, by inserting the pins on the sides of the green gears into the green holders. Then lower the front of the cartridge into place.
 - If the film is slack, tighten it by winding the gears.





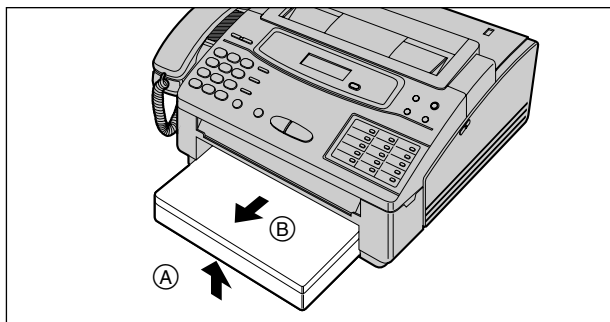
7 Press the head unit down firmly until it clicks into place.

8 Close the top cover securely by pushing down on both sides.

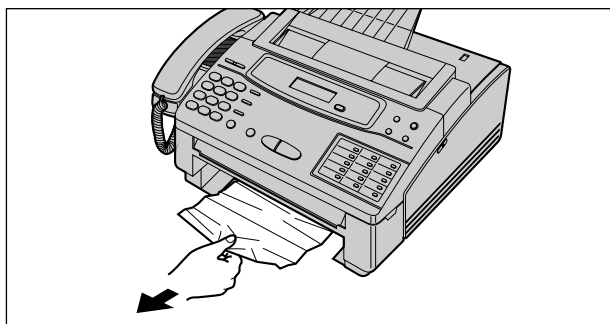


9 Insert the paper cassette into the unit until it clicks into place.

Removing a jammed recording paper near the paper cassette

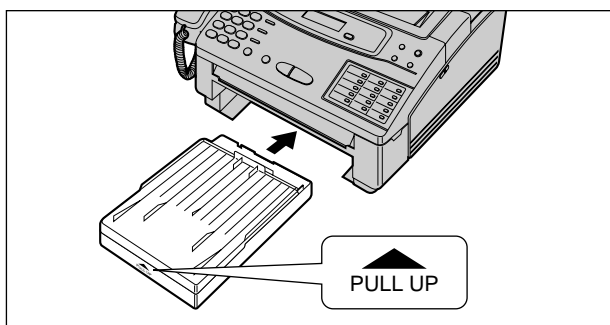


1 Lift up the paper cassette slightly (A) and pull it towards you to remove it (B).



2 Reach into the paper cassette opening and remove the jammed recording paper.

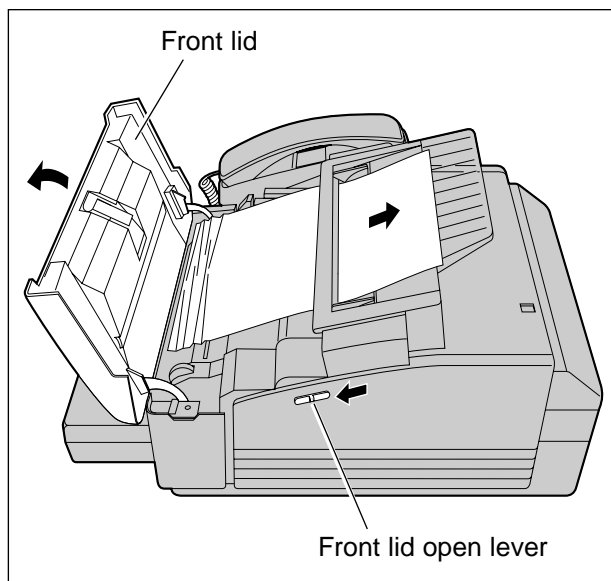
- When the jammed paper cannot be removed easily, open the top cover and head unit, and remove the jammed paper. Do not pull the jammed paper forcibly, or torn pieces of paper may remain in the unit.



3 Insert the paper cassette into the unit until it clicks into place.

Clearing a document jam

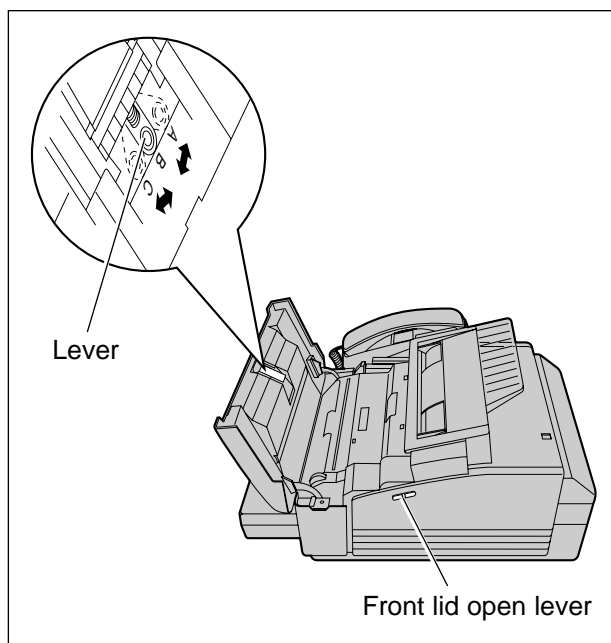
If the unit does not release an original document during feeding, remove it as shown below.



- 1 Slide the front lid open lever towards you to open the front lid.
- 2 Remove the jammed document carefully.
- 3 Close the lid securely by pushing down on both sides.

Adjusting the feeder pressure

If misfeeding of documents occurs frequently, adjust the feeder pressure.



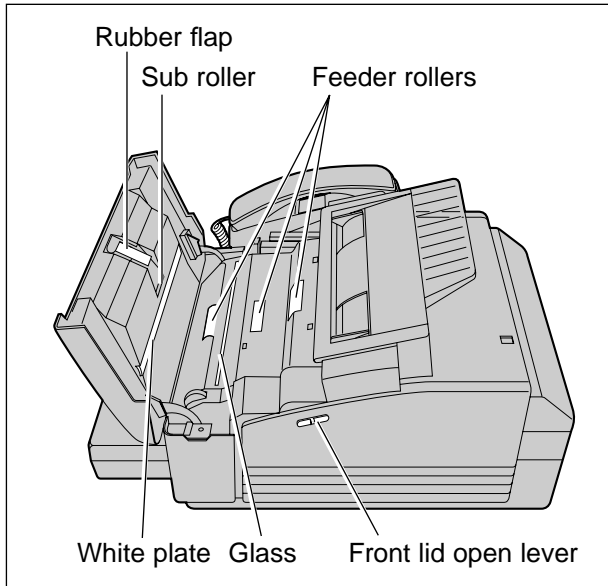
- 1 Slide the front lid open lever towards you to open the front lid.
- 2 Shift the position of the lever to a desired position by using an instrument with a pointed end, like a clip or ball-point pen.

Position A: No feeding
Position B: Standard position
Position C: Multiple feeding
- 3 Close the lid securely by pushing down on both sides.

Cleaning the unit

Cleaning the document feeder unit

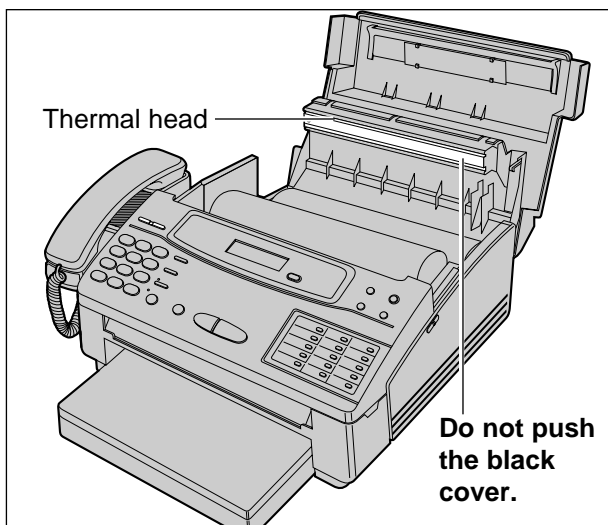
If misfeeding occurs frequently or dirty patterns or black bands appear on a copied or transmitted document, clean the feeder rollers, sub roller, rubber flap, white plate and glass.



- 1 Disconnect the power cord and the telephone line cord.
- 2 Slide the front lid open lever towards you to open the front lid.
- 3 Clean the feeder rollers, sub roller and rubber flap with a cloth moistened with isopropyl rubbing alcohol, and let dry thoroughly.
- 4 Clean the white plate and the glass with a dry soft cloth.
- 5 Close the lid securely by pushing down on both sides.
- 6 Connect the power cord and telephone line cord.

Cleaning the thermal head

If dirty patterns or black bands appear on a copied or received document, clean the thermal head.



Caution:

To prevent a malfunction due to static electricity, do not use a dry cloth and do not touch the thermal head directly with your finger.

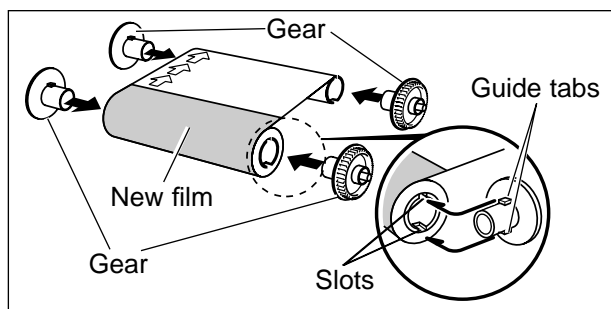
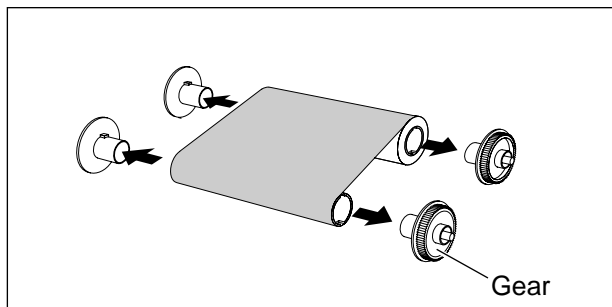
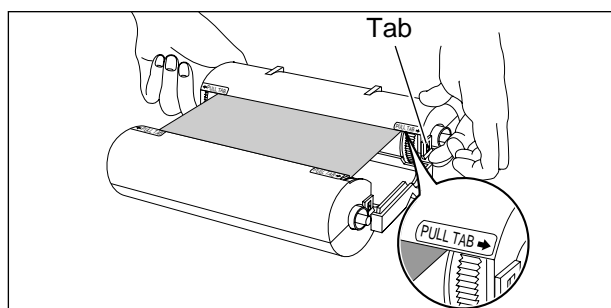
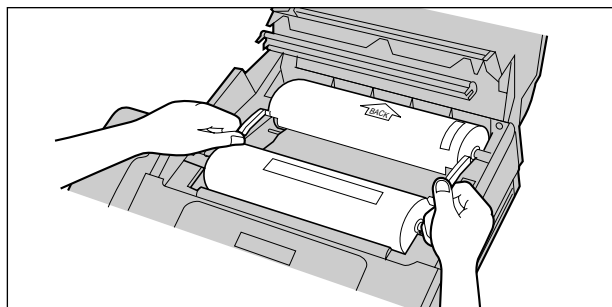
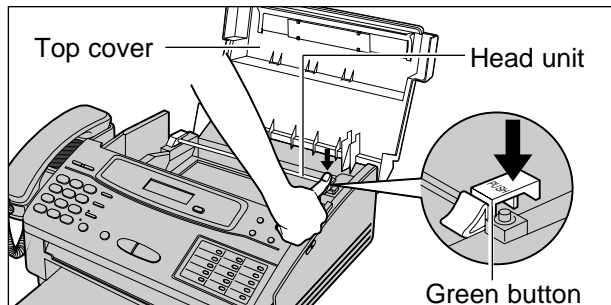
- 1 Disconnect the power cord and the telephone line cord.
- 2 Open the top cover.
- 3 Press the green button on the right marked "PUSH" and lift up the head unit.
- 4 Clean the thermal head with a cloth moistened with isopropyl rubbing alcohol, and let dry thoroughly.
- 5 Press the head unit down firmly until it clicks into place.
- 6 Close the top cover securely by pushing down on both sides.
- 7 Connect the power cord and telephone line cord.

Replacing the film or film cartridge

When the unit detects the end of the film, the following message will be displayed.

FILM EMPTY

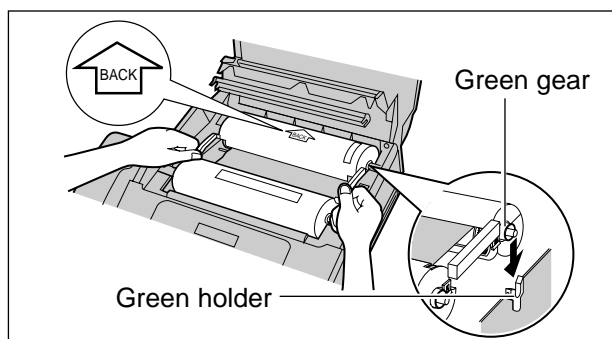
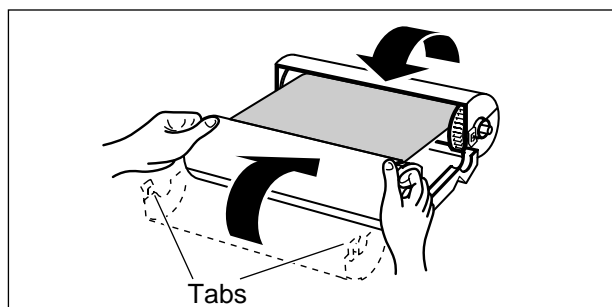
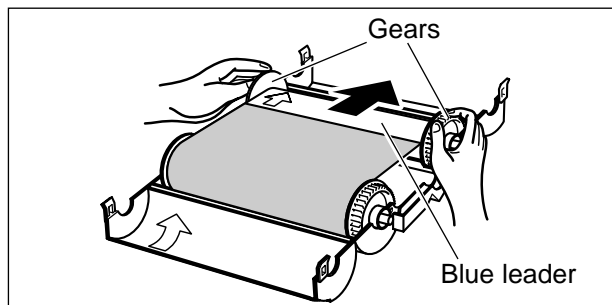
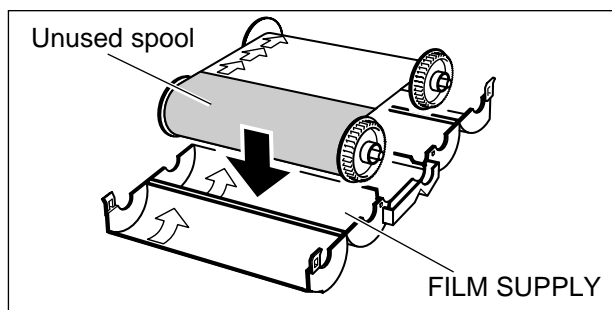
Replace the film or film cartridge with a new one. To order a replacement part, see page 82.



- 1 Open the top cover.
- 2 Press the green button on the right marked "PUSH" and lift up the head unit.
- 3 Take out the film cartridge.
 - If you purchased a film cartridge (Model no. KX-FA132) for replacement, skip to step 11.
 - To replace only the film, go to step 4.
- 4 Turn over the cartridge so that the "PULL TAB" mark is facing up.
- 5 Unlock the four tabs of the cartridge, open the cover of the cartridge and take out the used film.
- 6 Pull out the four gears from the used film cores.
- 7 Insert the four gears into the new film cores so that the guide tabs of each gear fits into the slots of the film core.

Caution:

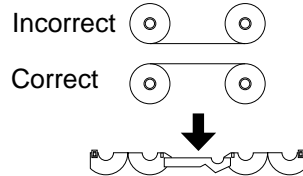
The film is not reusable. You can order a new film for replacement through the nearest Panasonic dealer.



8 Insert the film into the cartridge so that the arrow on the open cartridge points in the same direction as the arrows on the film.

- If you insert a film which was used halfway, insert the unused spool of the film on the "FILM SUPPLY" mark of the cartridge.

- Insert the film cores correctly referring to the illustration to the right.



9 Roll the blue leader of the film by winding the gears of the core until the leader is no longer visible.

10 Close the covers of the cartridge by locking the four tabs.

11 Turn over the cartridge and referring to the illustration on the left, place the "BACK" side of the cartridge into the unit, by inserting the pins on the sides of the green gears into the green holders. Then lower the front of the cartridge into place.

12 Press the head unit down firmly until it clicks into place.

13 Close the top cover securely by pushing down on both sides.

- If the blue leader of the film is not wound completely, the unit will automatically advance it and the following message will be displayed.

LOADING FILM

- If the following message is displayed, the film is not inserted in the cartridge correctly.

CHECK FILM

Reinsert it correctly by referring to step 8 on this page.

Important safety instructions

When using this product, basic safety precautions should always be followed to reduce the risk of fire, electric shock, and injury to persons, including the following:

1. Read and understand all instructions.
2. Follow all warnings and instructions marked on this product.
3. Unplug this product from wall outlets before cleaning. Do not use liquid or aerosol cleaners. Use a damp cloth for cleaning.
4. Do not use this product near water, for example, near a bath tub, wash bowl, kitchen sink, or laundry tub, in a wet basement, or near a swimming pool.
5. Do not place this product on an unstable cart, stand or table. The product may fall, causing serious damage to the product.
6. Slots and openings in the cabinet and the back or bottom are provided for ventilation, to protect it from overheating, these openings must not be blocked or covered. The openings should never be blocked by placing the product on the bed, sofa rug, or other similar surface. This product should never be placed near or over a radiator or heat register. This product should not be placed in a built-in installation unless proper ventilation is provided.
7. This product should be operated only from the type of power source indicated on the marking label. If you are not sure of the type of power supply to your home, consult your dealer or local power company.
8. This product is equipped with a three wire grounding type plug, a plug having a third (grounding) pin. This plug will only fit into a grounding type power outlet. This is a safety feature. If you are unable to insert the plug into the outlet, contact your electrician to replace your obsolete outlet. Do not defeat the safety purpose of the grounding type plug.
9. Do not allow anything to rest on the power cord. Do not locate this product where the cord will be abused by people walking on it.
10. Do not overload wall outlets and extension cords as this can result in the risk of fire or electric shock.
11. Never push objects of any kind into this product through cabinet slots as they may touch dangerous voltage points or short out parts that could result in a risk of fire or electric shock. Never spill liquid of any kind on the product.
12. To reduce the risk of electric shock, do not disassemble this product, but take it to a qualified serviceman when some service or repair work is required. Opening or removing covers may expose you to dangerous voltages or other risks. Incorrect reassembly can cause electric shock when the appliance is subsequently used.
13. Unplug this product from the wall outlet and refer servicing to qualified service personnel under the following conditions:
 - A. When the power supply cord or plug is damaged or frayed.
 - B. If liquid has been spilled into the product.
 - C. If the product has been exposed to rain or water.
 - D. If the product does not work normally by following the operating instructions. Adjust only those controls, that are covered by the operating instructions because improper adjustment of other controls may result in damage and will often require extensive work by a qualified technician to restore the product to normal operation.
 - E. If the product has been dropped or the cabinet has been damaged.
 - F. If the product exhibits a distinct change in performance.
14. Avoid using a telephone (other than a cordless type) during an electrical storm. There may be a remote risk of electric shock from lightning.
15. Do not use the telephone to report a gas leak in the vicinity of the leak.

SAVE THESE INSTRUCTIONS

CAUTION:

To reduce the risk of fire or injury to persons, read and follow these instructions.

1. Use only the battery(ies) instructed.
2. Do not dispose of the battery(ies) in a fire. The cell may explode. Check with local codes for possible special disposal instructions.
3. Do not open or mutilate the battery(ies). Released electrolyte is corrosive and may cause damage to the eyes or skin. It may be toxic if swallowed.
4. Exercise care in handling batteries in order not to short the battery with conducting materials such as rings, bracelets, and keys. The battery or conductor may overheat and cause burns.
5. Do not attempt to recharge the battery(ies) provided with or identified for use with this product. The batteries may leak corrosive electrolyte or explode.
6. Do not attempt to rejuvenate the battery(ies) provided with or identified for use with this product by heating them. Sudden release of the battery electrolyte may occur causing burns or irritation to eyes or skin.
7. When replacing batteries, all batteries should be replaced at the same time. Mixing fresh and discharged batteries could increase internal cell pressure and rupture the discharged battery(ies). (Applies to products employing more than one separately replaceable primary battery.)
8. When inserting batteries into this product, the proper polarity or direction must be observed. Reverse insertion of batteries can cause charging, and that may result in leakage or explosion. (Applies to product employing more than one separately replaceable primary battery.)
9. Remove the batteries from this product if the product will not be used for a long period of time (several months or more) since during this time the battery could leak in the product.
10. Discard "dead" batteries as soon as possible since "dead" batteries are more likely to leak in a product.
11. Do not store this product, or the batteries

provided with or identified for use with this product, in high-temperature areas. Batteries that are stored in a freezer or refrigerator for the purpose of extending shelf life should be protected from condensation during storage and defrosting. Batteries should be stabilized at room temperature prior to use after cold storage.

INSTALLATION:

1. Never install telephone wiring during a lightning storm.
2. Never install telephone jacks in wet locations unless the jack is specifically designed for wet locations.
3. Never touch uninsulated telephone wires or terminals unless the telephone line has been disconnected at the network interface.
4. Use caution when installing or modifying telephone lines.

WARNING:

To prevent the risk of fire or electrical shock, do not expose this product to rain or any type of moisture.

OTHER INFORMATION

- Keep the unit away from electrical noise-generating devices, such as fluorescent lamps and motors.
- The unit should be kept free from dust, moisture, high temperature, and vibration.
- The unit should not be exposed to direct sunlight.
- Do not place heavy objects on top of this unit.
- Do not damage the power cord.
- Do not touch the plug with wet hands.
- Do not use benzine, thinner, or any abrasive powder, to clean the cabinet. Wipe it with a soft cloth.
- Do not mix different types of batteries.
- Do not use Nickel-Cadmium batteries.

Accessory order information

Use the following for replacement.
Problems will occur if other brands of films are used.

Model No.	Description	Comment
KX-FA132	Film cartridge	1 cartridge & film: 216 mm×200 m (8½"×656') roll
KX-FA133	Replacement film (1 set)	216 mm×200 m (8½"×656') roll
KX-FA134	Replacement film (2 sets)	216 mm×200 m (8½"×656') roll

Specifications

1. Applicable Lines:	Public Switched Telephone Network
2. Document Size:	Max. 216 mm (8½") in width Max. 600 mm (23⅝") in length
3. Effective Scanning Width:	208 mm (8⅜")
4. Recording Paper Size:	A4: 210×297 mm (8¼"×11⅛")
5. Effective Printing Width:	202 mm (7⅞")
6. Transmission Time*:	Approx. 15 sec./page (Original mode) Approx. 30 sec./page (G3 Normal mode)
7. Scanning Density:	Horizontal: 8 pels/mm (203 pels/inch) Vertical: 3.85 lines/mm (98 lines/inch)—Standard 7.7 lines/mm (196 lines/inch)—Fine/Halftone
8. Halftone Level:	64-level
9. Scanner Type:	CCD Image Sensor
10. Printer Type:	Thermal Transfer
11. Data Compression System:	Modified Huffman (MH), Modified READ (MR)
12. Modem Speed:	9600/7200/4800/2400 bps; Automatic Fallback
13. Operating Environment:	5–35°C (41–95°F), 20–80% RH
14. Dimensions (H×W×D):	237×420×389 mm (9⅝"×16⅞"×15⅝")
15. Mass (Weight):	Approx. 9.0 kg (19.8 lb.)
16. Power Consumption:	Transmission: Approx. 17 W / Reception: Approx. 40 W Copy: Approx. 50 W / Standby: Approx. 5 W Maximum: Approx. 150 W
17. Power Supply:	220–240 V AC, 50/60 Hz

*Transmission Time: Transmission times apply to text data using the ITU-T (CCITT) test chart, between the same machine models at maximum modem speed. The transmission time does not include call setup, ringing, handshaking and sign off. Transmission times may vary.

Note:

- Any details given in these instructions are subject to change without notice.
- The picture and illustrations in these instructions may vary slightly from the actual product.

Telstra Telephone

Instructions to customer

Installation

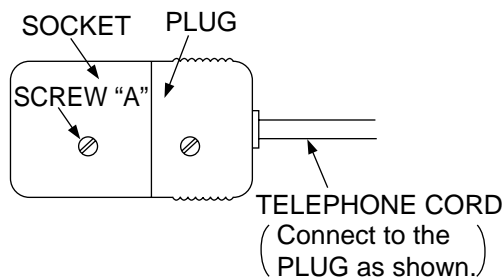
Attached to this apparatus is a label bearing a "Austel Permit Number". This number is evidence that it is a "Permitted Attachment" which has been authorized by Austel to be connected to your telephone service. Conditions relating to connection and operation of this Permitted Attachment are contained in Telecommunications General By-Law 220 (5).

You are authorized by Austel to install this Permitted Attachment yourself by plugging it into the line socket of any Telstra telephone. You may connect it in place of your Telstra telephone or to any spare telephone socket installed in your premises.

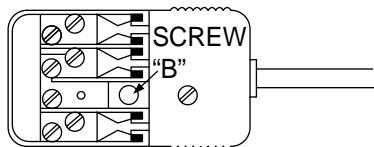
To disconnect your Telstra telephone, you must first remove its plug from the line socket. You can then insert the plug of your Permitted Attachment into the socket and use your equipment.

If the plug of your Telstra telephone cannot be readily removed, you will have to remove the screw securing it. To do this, proceed as follows:

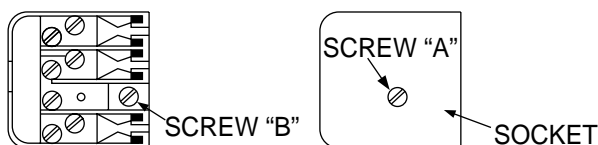
1. Loosen screw 'A' sufficiently to remove the socket cover.



2. Remove screw 'B' and withdraw the plug.



3. Replace screw 'B'. Ensure that it screws completely into the socket recess. (If the screw is too long, increase the hole depth or replace the screw with one 5 mm shorter.)



4. Replace socket cover and tighten screw 'A'.

If you are satisfied with the operation of your telephone service after plugging in your Permitted Attachment, your installation is completed.

You will be unable to connect this Permitted Attachment if your telephone service consists only of a wall phone or an old style telephone which is not connected by means of a modern plug and socket. In such cases a new socket will need to be installed.

Should the Permitted Attachment not operate when plugged into a socket, it is either faulty or unsuitable for operation with your telephone service. It should be returned to the store where purchased.

Service difficulties

If at any time a fault occurs on your telephone service, carry out the following checks before you call for service:

- Disconnect the Permitted Attachment and try using the service with the normal telephone.
- If the telephone service then operates satisfactorily, the fault is in your Permitted Attachment. Leave the Permitted Attachment disconnected and report the fault to its supplier or agent to arrange for repair.
- If when using the telephone the service is still faulty, report the fault to "Service Difficulties and Faults" for attention.

You are required to keep this Permitted Attachment in good working order while it is connected to your telephone service. Its construction or internal circuit must not be modified in any way without permission.

Index

- A** ALL MESSAGES button 29
 ANS/FAX mode 16, 20, 27
 ANS/FAX ring count 27
 Answering device volume 14
 Automatic dialing 35, 36
- C** CHECK button 15, 52
 Cleaning 77
 COPY button 34, 49
 Copy reduction mode 46
- D** Date and time 12
 Day/night mode 62
 Delayed transmission 40
 DELETE key 13
 Dialing mode 8
 Direct call station keys 13, 35, 36
 DIRECTORY button 36, 37
 Display contrast 63
- E** Electronic telephone directory 37
 ERASE button 30
 Error messages 70
 Extension copy 49
 EXT. TAM mode 16, 20, 24
- F** FAX mode 16, 20, 23
 FAX ring count 23
 Feeder pressure 76
 FILM/PAPER SAVE key 48
- H** Handset volume 14
 HELP button 8
- I** INSERT key 13
- J** Journal auto print 66
 Journal report 65, 67
 Junk mail prohibitor 43
- L** Logo position 45
- M** MAIL BOX button 54
 Mailbox alert 55
 Mailbox password 53
 MEMO/2WAY REC button 30, 31
 MENU button 12, 35, 39, 65
 Message alert 32
 MUTE button 17
- N** NEW MESSAGES button 29
- O** One-touch dialing 35, 36
 Overseas transmission mode 45
- P** Pager alert for fax reception 50
 Pager alert for incoming messages 61
 PAUSE button 64
 Polling 39
- R** REC button 15, 52
 RECALL button 64
 RECEIVE MODE button 16
 Receiving reduction mode 47
 REDIAL/PAUSE button 17
 Remote ANS ID 57
 Remote fax activation code 42
 REPEAT button 29
 RESOLUTION button 18
 Ring pattern detection 44
 Ringer volume 14
- S** SECRET key 35
 SELECT button 15
 Set default 63
 Silent detection 26
 Silent fax recognition ring 22
 SKIP button 29
 SPACE key 13
 Speaker volume 14
 Speed dialing 35, 36
 SP-PHONE button 17, 18
 START/SET button 12, 18
 STOP button 18
- T** TEL mode 16
 Telephone number list 65
 TEL/FAX mode 16, 20, 21
 TEL/FAX ring 22
 TONE button 64
 Transmission report 65, 66
- V** Visual film indicator 9
 Voice contact 38
 VOICE STDBY button 38
 VOLUME button 14
- Y** Your facsimile telephone number 14
 Your logo 12

Remote control card for KX-F1100AL

<p style="text-align: center;">Mailbox Remote Operation</p> <p>■ Recording a message into a mailbox:</p> <ol style="list-style-type: none"> 1. Call your unit. 2. Press * and the mailbox no. (1, 2 or 3). 3. Leave a message. <p>■ Retrieving messages from a mailbox:</p> <ol style="list-style-type: none"> 1. Call your unit. 2. Press * and the mailbox no. (1, 2 or 3). 3. Press the mailbox password <input type="text"/> <input type="text"/> <input type="text"/>. 4. Press the remote command key (refer to the reverse side). 	<p style="text-align: center;">Mailbox Remote Operation</p> <p>■ Recording a message into a mailbox:</p> <ol style="list-style-type: none"> 1. Call your unit. 2. Press * and the mailbox no. (1, 2 or 3). 3. Leave a message. <p>■ Retrieving messages from a mailbox:</p> <ol style="list-style-type: none"> 1. Call your unit. 2. Press * and the mailbox no. (1, 2 or 3). 3. Press the mailbox password <input type="text"/> <input type="text"/> <input type="text"/>. 4. Press the remote command key (refer to the reverse side).
<p style="text-align: center;">Mailbox Remote Operation</p> <p>■ Recording a message into a mailbox:</p> <ol style="list-style-type: none"> 1. Call your unit. 2. Press * and the mailbox no. (1, 2 or 3). 3. Leave a message. <p>■ Retrieving messages from a mailbox:</p> <ol style="list-style-type: none"> 1. Call your unit. 2. Press * and the mailbox no. (1, 2 or 3). 3. Press the mailbox password <input type="text"/> <input type="text"/> <input type="text"/>. 4. Press the remote command key (refer to the reverse side). 	<p style="text-align: center;">Notice of Remote Operation</p> <ul style="list-style-type: none"> ● The remote operation is available only from a touch tone phone when the unit is in the ANS/FAX mode. ● When the unit is in the TEL mode, call your unit and wait for 15 rings. The unit will switch to ANS/FAX mode. ● When you press any key, press firmly. ● To send a document, press ***. When a fax tone is heard, start transmission.

Fold here

Key	Remote Command
1	Repeating a message
2	Skipping a message
4	New message playback
5	All message playback
6	Room monitoring
7	Re-recording a greeting message
9	Stopping re-recording of a greeting message
* 4	Erasing a specific message
* 5	Erasing all messages
8 1	Pager alert for ANS—ON
8 2	Pager alert for ANS—OFF

Key	Remote Command
1	Repeating a message
2	Skipping a message
4	New message playback
5	All message playback
6	Room monitoring
7	Re-recording a greeting message
9	Stopping re-recording of a greeting message
* 4	Erasing a specific message
* 5	Erasing all messages
8 1	Pager alert for ANS—ON
8 2	Pager alert for ANS—OFF

Answering Device Remote Operation

1. Call your unit.
 2. Press the remote ANS ID during the greeting message.
 3. Press remote command key (refer to right) within 4 seconds.
or
Wait for 4 seconds. All the recorded messages will be played back.
- To skip the greeting message, press **0**.
 - To erase a specific message, press *** 4** when a message to be erased is being played back.
 - To erase all the recorded messages, press *** 5**.

Key	Remote Command
1	Repeating a message
2	Skipping a message
4	New message playback
5	All message playback
6	Room monitoring
7	Re-recording a greeting message
9	Stopping re-recording of a greeting message
* 4	Erasing a specific message
* 5	Erasing all messages
8 1	Pager alert for ANS—ON
8 2	Pager alert for ANS—OFF

Speed dialer list

Station No.	Name/Phone No.	Station No.	Name/Phone No.
00		30	
01		31	
02		32	
03		33	
04		34	
05		35	
06		36	
07		37	
08		38	
09		39	
10		40	
11		41	
12		42	
13		43	
14		44	
15		45	
16		46	
17		47	
18		48	
19		49	
20		50	
21		51	
22		52	
23		53	
24		54	
25		55	
26		56	
27		57	
28		58	
29		59	

WARRANTY

1. The product is warranted for labour and parts for twelve (12) months from the date of purchase.
2. This warranty is for normal domestic use and office use only and excludes any defect or injury caused by or resulting from misuse, abuse, neglect, accidental damage, improper voltage, vermin infestation or any alteration which affects the reliability or performance of the unit, not attributable to faulty manufacture parts and labour.
3. This warranty does not cover the following items unless fault or defect being complained of existed at the time of purchase.
 - (a) Audio Tapes
 - (b) Audio Heads resulting from wear and tear in normal use
 - (c) Ribbons, Print Heads, Print Wheels, Correction Tapes, Floppy Discs
 - (d) Thermal Paper, Toner/Ink Cartridges, Drums, Developer, Film (Ink Ribbon Film), Film Cartridge
 - (e) Cabinet Parts and Batteries
4. If warranty service is required you should:
 - Contact Your nearest Panasonic Authorised Service Centre.
 - Enclose a copy of your purchase receipt as proof of date of purchase.
 - Send or bring the product to Panasonic Authorised Service Centre. Warranty does not include any freight to and from the user or insurance so please arrange this yourself.
5. The warranties hereby conferred do not extend to any costs associated with the delivery, handling, freighting or transportation of the product or any part thereof or replacement of and do not extend to any damage or loss occurring during, or associated with, transit.

Unless otherwise specified to the consumer the benefits conferred by this express warranty are additional to all other conditions, warranties, guarantees, rights and remedies expressed or implied by the Trade Practices Act 1974 and similar consumer protection provisions contained in legislation of the States and Territories and all other obligations and liabilities on the part of the manufacturer or supplier and nothing contained therein shall restrict or modify such rights, remedies, obligations or liabilities.

IF YOU REQUIRE ANY ASSISTANCE REGARDING WARRANTY CONDITIONS, CONTACT PANASONIC AUSTRALIA PTY. LIMITED AT ADDRESS BELOW.

CONTACT PANASONIC AUSTRALIA PTY. LIMITED OFFICES FOR YOUR NEAREST AUTHORISED SERVICE CENTRE

NEW SOUTH WALES

1 Garigal Road, Belrose, N.S.W. 2085 Tel: (02) 9986 7666
3/28 Denison Street, Hamilton, Newcastle N.S.W. 2303 Tel: (049) 616 600

VICTORIA

1 Caribbean Drive, Scoresby, VIC. 3179 Tel: (03) 9213 8888

SOUTH AUSTRALIA

125 Port Road, Hindmarsh S.A. 5007 Tel: (08) 346 3999

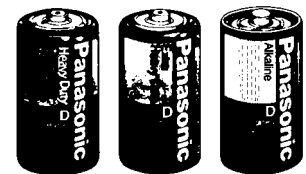
WESTERN AUSTRALIA

37 Kewdale Road, Kewdale. W.A. 6105 Tel: (09) 451 7211

QUEENSLAND

494 Nudgee Road, Hendra, QLD. 4011 Tel: (07) 3268 6466

Panasonic



Panasonic Australia Pty. Limited A.C. N. 001 592 187
(Incorporated in N.S.W.)

Matsushita Electric Industrial Co., Ltd.

Central P.O. Box 288, Osaka 530-91, Japan

Free Manuals Download Website

<http://myh66.com>

<http://usermanuals.us>

<http://www.somanuals.com>

<http://www.4manuals.cc>

<http://www.manual-lib.com>

<http://www.404manual.com>

<http://www.luxmanual.com>

<http://aubethermostatmanual.com>

Golf course search by state

<http://golfingnear.com>

Email search by domain

<http://emailbydomain.com>

Auto manuals search

<http://auto.somanuals.com>

TV manuals search

<http://tv.somanuals.com>