

Panasonic

High Speed Laser Fax
with Copier Function

Operating Instructions

Model No. **KX-FL611AL**

FOR NEW ZEALAND USERS:

To use in New Zealand, change the location setting (feature #74 on page 44).

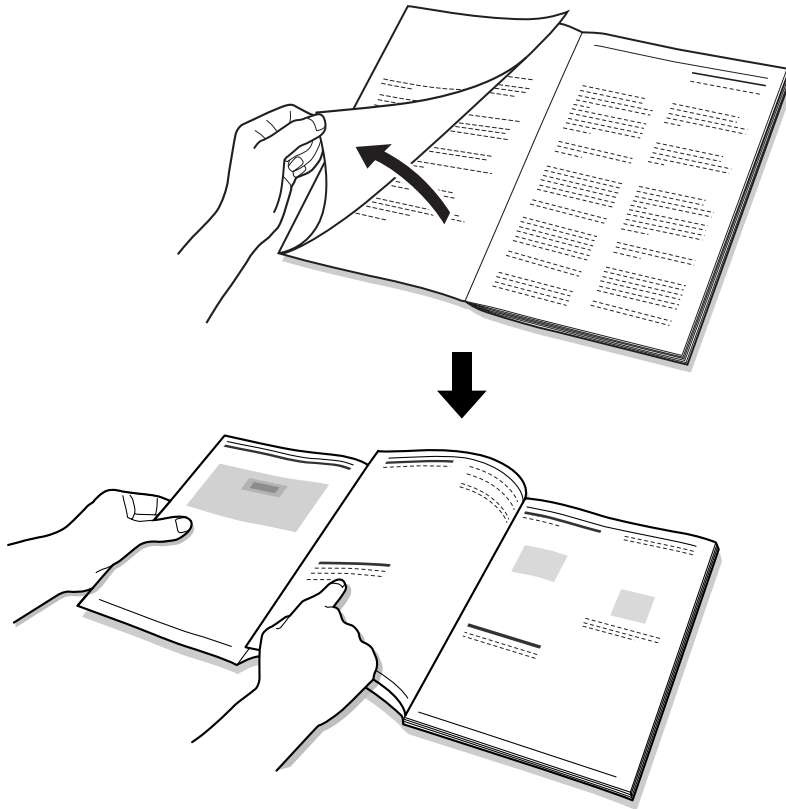


Please read these operating instructions before using the unit and save for future reference.

This unit is compatible with Caller ID. To use this feature, you must subscribe to the appropriate service of your service provider.

Be sure to use the telephone line cord included in this unit.

How to use the operating instructions

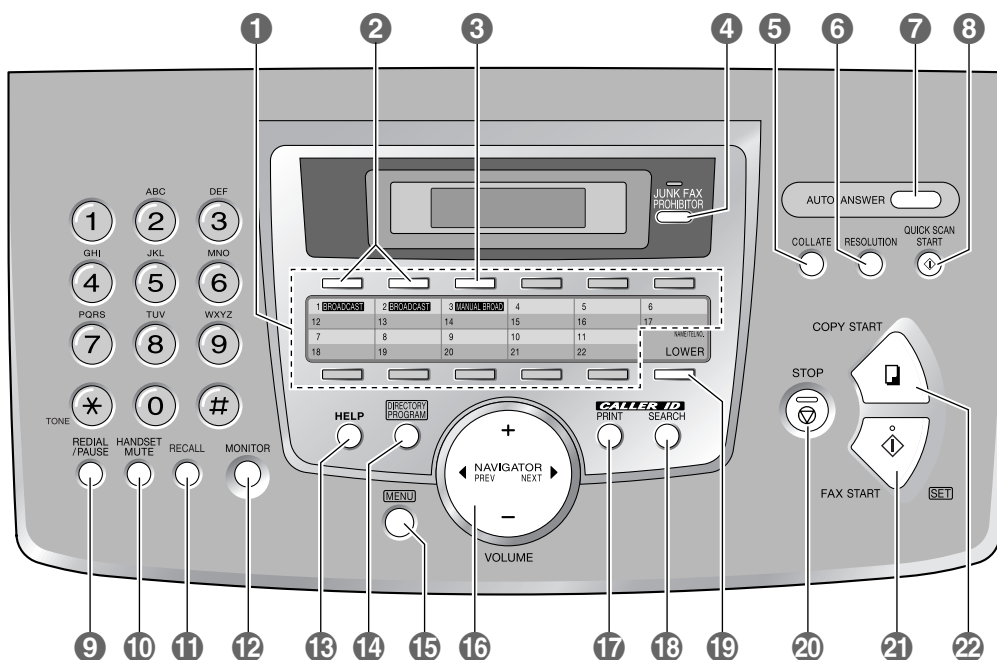


When following operating instructions, always keep the front cover page (next page) open for easy reference to the buttons.



Location of controls

Please keep this page open when following operating instructions.
For a description of each button, see page 10.



Buttons (Listed in alphabetical order)

- | | | |
|-----------------------------|------------------------------|---------------------------|
| AUTO ANSWER 7 | HANDSET MUTE 10 | QUICK SCAN START 8 |
| BROADCAST 2 | HELP 13 | RECALL 11 |
| CALLER ID PRINT 17 | JUNK FAX PROHIBITOR 4 | REDIAL/PAUSE 9 |
| CALLER ID SEARCH 18 | LOWER 19 | RESOLUTION 6 |
| COLLATE 5 | MANUAL BROAD 3 | SET 21 |
| COPY START 22 | MENU 15 | Station keys 1 |
| DIRECTORY PROGRAM 14 | MONITOR 12 | STOP 20 |
| FAX START 21 | NAME/TEL. NO. 19 | VOLUME 16 |
| | NAVIGATOR 16 | |

For Australian users

Warning:

- Please ensure that a separate telephone, not dependent on local power, is available for emergency use.
- This equipment will be inoperable when mains power fails.
- When a failure occurs which results in the internal parts becoming accessible, disconnect the power supply cord immediately and return this unit to an authorised service centre.
- Disconnect the telephone connection before disconnecting power connection prior to relocating the equipment, and reconnect the power first.
- To minimize the possibility of lightning damage, when you know that a thunderstorm is coming, we recommend that you:
 - A. Unplug the telephone line cord from the phone jack.
 - B. Unplug the power supply cord from the AC power outlet.
- No "000" or other calls can be made from this device during a mains power failure.
- The earcap on the handset is magnetised and may retain metallic objects.

For New Zealand users

Warning:

- WHEN A FAILURE OCCURS WHICH RESULTS IN THE INTERNAL PARTS BECOMING ACCESSIBLE, DISCONNECT THE POWER SUPPLY CORD IMMEDIATELY AND RETURN THIS UNIT TO AN AUTHORISED SERVICE CENTRE.
- DISCONNECT THE TELECOM CONNECTION BEFORE DISCONNECTING THE POWER CONNECTION PRIOR TO RELOCATING THE EQUIPMENT, AND RECONNECT THE POWER FIRST.
- NO "111" OR OTHER CALLS CAN BE MADE FROM THIS DEVICE DURING A MAINS POWER FAILURE.

IMPORTANT NOTICE

Under power failure conditions, this telephone may not operate. Please ensure that a separate telephone, not dependent on local power, is available for emergency use.

Notice:

- The grant of a Telepermit for any item of terminal equipment indicates only that Telecom has accepted that the item complies with minimum conditions for connection to its network. It indicates no endorsement of the product by Telecom, nor does it provide any sort of warranty. Above all, it provides no assurance that any item will work correctly in all respects with another item of Telepermitted equipment of a different make or model, nor does it imply that any product is compatible with all of Telecom's network services.
- This equipment shall not be set to make automatic calls to the Telecom "111" Emergency Service.
- This equipment should not be used under any circumstances which may constitute a nuisance to other Telecom customers.
- Not all telephones will respond to incoming ringing when connected to the extension socket.

Important information (for Australian users)

Instructions to customer

Installation

Attached to this apparatus is an approval label. This label is evidence that it is a "Permitted Attachment" which has been authorised to be connected to your telephone service.

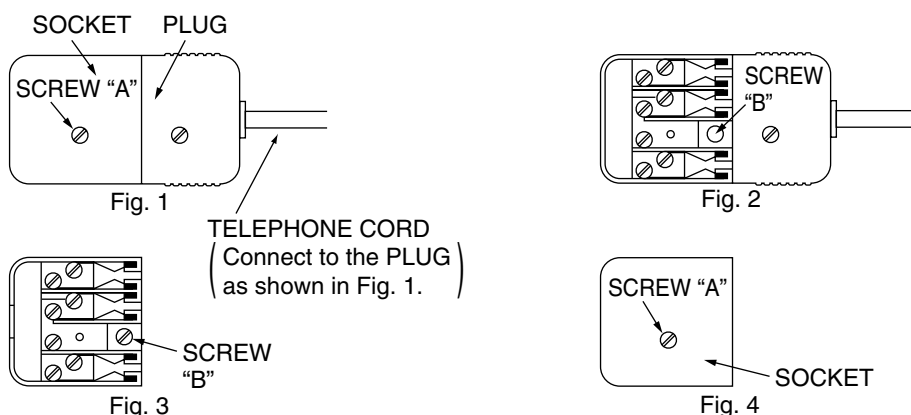
Conditions relating to connection and operation of this Permitted Attachment are contained in Telecommunications General By-Law 220 (5).

You are authorised to install this Permitted Attachment yourself by plugging it into the line socket of any regular telephone. You may connect it in place of your existing telephone or to any spare telephone socket installed in your premises.

To disconnect your existing telephone you must first remove its plug from the line socket. You can then insert the plug of your Permitted Attachment into the socket and use your equipment.

If the plug of your existing telephone cannot be readily removed, you will have to remove the screw securing it. To do this proceed as follows:

1. Loosen screw "A" sufficiently to remove the socket cover. (See Fig. 1.)
2. Remove screw "B" and withdraw the plug. (See Fig. 2.)
3. Replace screw "B". (See Fig. 3.) Ensure that it screws completely into the socket recess. (If the screw is too long, increase the hole depth or replace the screw with one 5 mm shorter.)
4. Replace socket cover and tighten screw "A". (See Fig. 4.)



If you are satisfied with the operation of your telephone service after plugging in your Permitted Attachment, your installation is completed.

You will be unable to connect this Permitted Attachment if your telephone service consists only of a wall phone or an old style telephone which is not connected by means of a modern plug and socket. In such cases a new socket will need to be installed.

Should the Permitted Attachment not operate when plugged into a socket, it is either faulty or unsuitable for operation with your telephone service. It should be returned to the store where purchased.

Service difficulties

If at any time a fault occurs on your telephone service carry out the following checks before you call for service:

- Disconnect the Permitted Attachment and try using the service with the normal telephone.
- If the telephone service then operates satisfactorily, the fault is in your Permitted Attachment. Leave the Permitted Attachment disconnected and report the fault to its supplier or agent to arrange for repair.
- If when using the telephone the service is still faulty, report the fault to "Service Difficulties and Faults" for attention.

You are required to keep this Permitted Attachment in good working order while it is connected to your telephone service. Its construction or internal circuit must not be modified in any way without permission.

Important safety instructions

When using this unit, basic safety precautions should always be followed to reduce the risk of fire, electric shock, or personal injury.

1. Read and understand all instructions.
2. Follow all warnings and instructions marked on this unit.
3. Unplug this unit from power outlets before cleaning. Do not use liquid or aerosol cleaners. Use a damp cloth for cleaning.
4. Do not use this unit near water, for example near a bathtub, wash bowl, kitchen sink, etc.
5. Place the unit securely on a stable surface. Serious damage and/or injury may result if the unit falls.
6. Do not cover slots and openings on the unit. They are provided for ventilation and protection against overheating. Never place the unit near radiators, or in a place where proper ventilation is not provided.
7. Use only the power source marked on the unit. If you are not sure of the type of power supplied to your home, consult your dealer or local power company.
8. For safety purposes this unit is equipped with a grounded plug. If you do not have this type of outlet, please have one installed. Do not defeat this safety feature by tampering with the plug.
9. Do not place objects on the power cord. Install the unit where no one can step or trip on the cord.
10. Do not overload power outlets and extension cords. This can result in the risk of fire or electric shock.
11. Never push any objects through slots in this unit. This may result in the risk of fire or electric shock. Never spill any liquid on the unit.
12. To reduce the risk of electric shock, do not disassemble this unit. Take the unit to an authorised service centre when service is required. Opening or removing covers may expose you to dangerous voltage or other risks. Incorrect reassembly can cause electric shock when the unit is subsequently used.
13. Unplug this unit from power outlets and refer servicing to an authorised service centre when the following conditions occur:
 - A. When the power cord is damaged or frayed.

- B. If liquid has been spilled into the unit.
 - C. If the unit has been exposed to rain or water.
 - D. If the unit does not work normally by following the operating instructions. Adjust only controls covered by the operating instructions. Improper adjustment may require extensive work by an authorised service centre.
 - E. If the unit has been dropped or physically damaged.
 - F. If the unit exhibits a distinct change in performance.
14. During thunderstorms, avoid using telephones except cordless types. There may be a remote risk of an electric shock from lightning.
 15. Do not use this unit to report a gas leak, when in the vicinity of the leak.

SAVE THESE INSTRUCTIONS

CAUTION:

Installation

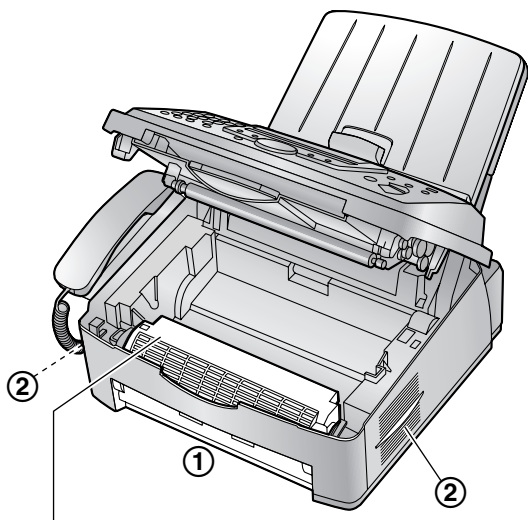
- After moving the unit from cold areas to warmer areas, let the unit adjust to the warmer temperature and do not connect the unit for about 30 minutes. If the unit is connected too soon after a sudden climate change, condensation may form inside the unit causing malfunction.
- Never install telephone wiring during a lightning storm.
- Never install telephone jacks in wet locations unless the jack is specifically designed for wet locations.
- Never touch uninsulated telephone wires or terminals unless the telephone line has been disconnected at the network interface.
- Use caution when installing or modifying telephone lines.
- Do not touch the plug with wet hands.

Laser radiation

- The printer of this unit utilises a laser. Use of controls or adjustments or performance of procedures other than those specified herein may result in hazardous radiation exposure.

Fuser unit

- The fuser unit gets hot. Do not touch it.
- During or immediately after printing, the area near the recording paper exit (①) also gets warm. This is normal.



Fuser unit

Toner cartridge

- Be careful of the following when you handle the toner cartridge:
 - Do not leave the toner cartridge out of the protection bag for a long time. It will decrease the toner life.
 - If you ingest any toner, drink several glasses of water to dilute your stomach contents, and seek immediate medical treatment.
 - If any toner comes into contact with your eyes, flush them thoroughly with water, and seek medical treatment.
 - If any toner comes into contact with your skin, wash the area thoroughly with soap and water.
 - If you inhale any toner, move to an area with fresh air and consult local medical personnel.

Drum unit

- Read the instructions on page 12 before you begin installation of the drum unit. After you

have read them, open the drum unit protection bag. The drum unit contains a photosensitive drum. Exposing it to light may damage the drum. Once you have opened the protection bag:

- Do not expose the drum unit to light for more than 5 minutes.
- Do not touch or scratch the green drum surface.
- Do not place the drum unit near dust or dirt, or in a high humidity area.
- Do not expose the drum unit to direct sunlight.

WARNING:

- To prevent the risk of fire or electrical shock, do not expose this product to rain or any type of moisture.
- Unplug this unit from power outlets if it emits smoke, an abnormal smell or makes unusual noise. These conditions can cause fire or electric shock. Confirm that smoke has stopped and contact an authorised service centre.

For best performance

Toner cartridge and drum unit

- In the printing process, heat is used to fuse toner onto the page. As a result, it is normal for the machine to produce an odour during and shortly after printing. Be sure to use this unit in an area with proper ventilation.
- To extend the life of the drum unit, the unit should never be turned OFF immediately after printing. Leave the power turned ON for a minimum of 30 minutes after printing.
- Do not cover slots or openings on the unit. Inspect the air circulation vents regularly and remove any dust build-up with a vacuum cleaner (②).
- When replacing the toner cartridge or drum unit, do not allow dust, water, or liquids to come in contact with the drum. This may affect print quality.

Environment

- Keep the unit away from electrical noise generating devices, such as fluorescent lamps and motors.
- The unit should be kept free from dust, high temperature and vibration.
- The unit should not be exposed to direct sunlight.
- Do not place heavy objects on top of the unit.

- When you leave the unit unused for a long period of time, unplug this unit from power outlet.
- The unit should be kept away from heat sources such as heaters, kitchen stoves, etc. It should not be placed in rooms where the temperature is less than 10 °C or greater than 32.5 °C. Damp basements should also be avoided.

Recording paper

- Store unused paper in the original packaging, in a cool and dry place. Not doing so may affect print quality.

Routine care

- Wipe the outer surface of the unit with a soft cloth. Do not use benzine, thinner, or any abrasive powder.

1. Introduction and Installation

Accessories

- 1.1 Included accessories **9**
- 1.2 Accessory information **10**

Finding the Controls

- 1.3 Description of buttons **10**
- 1.4 Overview **11**

Installation

- 1.5 Toner cartridge and drum unit **12**
- 1.6 Paper tray and paper tray cover **13**
- 1.7 Paper stacker **14**
- 1.8 Document stacker **15**
- 1.9 Handset cord **15**
- 1.10 Recording paper **15**

2. Preparation

Connections and Setup

- 2.1 Connections **17**

Help Button

- 2.2 Help function **18**

Volume

- 2.3 Adjusting volume **18**

Initial Programming

- 2.4 Date and time **19**
- 2.5 Your logo **20**
- 2.6 Your fax number **21**

3. Telephone

Automatic Dialling

- 3.1 Storing names and telephone numbers for the one-touch dial feature and navigator directory **23**
- 3.2 Making a phone call using one-touch dial feature or navigator directory **24**

Caller ID

- 3.3 Caller ID service **25**
- 3.4 Viewing and calling back using caller information **26**
- 3.5 Storing caller information into the one-touch dial feature and navigator directory **27**

4. Fax

Sending Faxes

- 4.1 Sending a fax manually **29**
- 4.2 Documents you can send **30**
- 4.3 Sending a fax using one-touch dial feature and navigator directory **31**
- 4.4 Broadcast transmission **31**

Receiving Faxes

- 4.5 Selecting the way to use your fax

- machine **33**
- 4.6 Receiving a fax manually – Auto answer OFF **34**
- 4.7 Receiving a fax automatically – Auto answer ON **35**
- 4.8 Using the unit with an answering machine **35**
- 4.9 Receive polling (retrieving a fax placed on another fax machine) **36**
- 4.10 Junk fax prohibitor (preventing fax reception from undesired callers) **36**

5. Distinctive Ring

Distinctive Ring

- 5.1 Using with the ring detection feature **38**

6. Copy

Copying

- 6.1 Making a copy **39**

7. Programmable Features

Features Summary

- 7.1 Programming **41**
- 7.2 Basic features **42**
- 7.3 Advanced features **43**
- 7.4 Direct commands for programming features **45**

8. Help

Error Messages

- 8.1 Error messages – Reports **47**
- 8.2 Error messages – Display **47**

Troubleshooting

- 8.3 When a function does not work, check here **50**

Replacement

- 8.4 Replacing the toner cartridge and the drum unit **54**

Jams

- 8.5 Recording paper jam **56**
- 8.6 Document jams - sending **59**

Cleaning

- 8.7 Cleaning the inside of the unit **60**

9. General Information

Printed Reports

- 9.1 Reference lists and reports **62**

Specifications

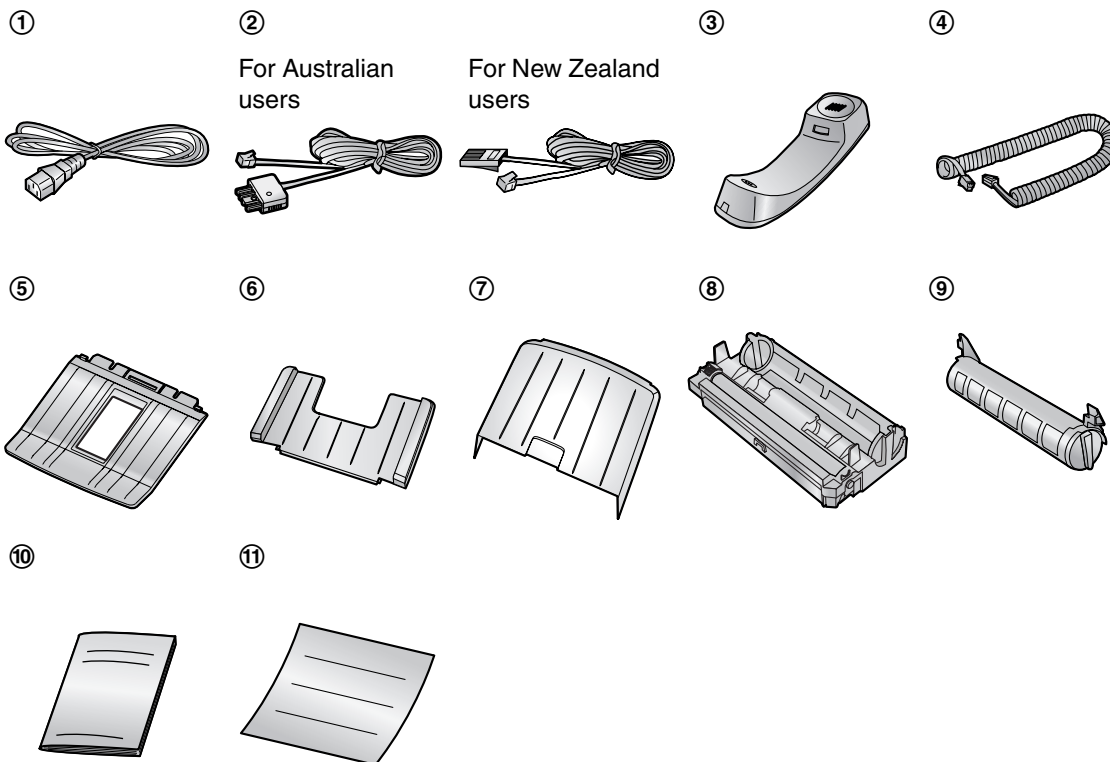
- 9.2 Specifications **63**

10. Index

- 10.1 Index **66**

1.1 Included accessories

No.	Item	Quantity	Notes
①	Power cord	1	-----
②	Telephone line cord	1	For Australian users (Modular type plug)
		1	For New Zealand users (New Zealand BT type plug)
③	Handset	1	-----
④	Handset cord	1	-----
⑤	Paper stacker	1	-----
⑥	Paper tray	1	-----
⑦	Paper tray cover	1	-----
⑧	Drum unit	1	See page 65.
⑨	Toner cartridge (starter toner cartridge)	1	prints about 800 A4-sized pages with a 5% image area (page 64).
⑩	Operating instructions	1	-----
⑪	Quick installation guide	1	-----



Note:

- If any items are missing or damaged, contact the place of purchase.
- Save the original carton and packing materials for future shipping and transportation of the unit.

1.2 Accessory information

To ensure that the unit operates properly, we recommend the use of a Panasonic toner cartridge and drum unit.

1.2.1 Available accessories

- Replacement toner cartridge (KX-FA83E)
- Replacement drum unit (KX-FA84E)

See page 64 for specifications.

1.3 Description of buttons

- Keep the front cover page open for button locations.

1 [STATION KEYS]

- To use the one-touch dial feature (page 23, 24, 31).

2 [BROADCAST]

- To transmit a document to multiple parties (page 31, 32).

3 [MANUAL BROADCAST]

- To transmit a document to multiple parties manually (page 31, 32).

4 [JUNK FAX PROHIBITOR]

- To use junk fax prohibitor (page 36).

5 [COLLATE]

- To make a collated copy (page 40).

6 [RESOLUTION]

- To select a resolution (page 29, 39).

7 [AUTO ANSWER]

- To turn the auto answer setting ON/OFF (page 34, 35).

8 [QUICK SCAN START]

- To store a scanned document into memory, and then send it (page 29).

9 [REDIAL/PAUSE]

- To redial the last number dialled.

For New Zealand users only

If the line is busy when you make a phone call using the [MONITOR] button, the unit will automatically redial the number up to 2 times.

- To insert a pause during dialling.

10 [HANDSET MUTE]

- To mute your voice to the other party during a conversation. Press again to resume the conversation.

11 [RECALL]

- To access special telephone services or for transferring extension calls.

12 [MONITOR]

- To initiate dialling.

13 [HELP]

- To print helpful information for quick reference (page 18).

14 [DIRECTORY PROGRAM]

- To store or edit names and telephone numbers (page 23).

15 [MENU]

- To initiate or exit programming.

16 [NAVIGATOR][VOLUME]

- To adjust volume (page 18).
- To search for a stored item (page 24, 31).
- To select features or feature settings during programming (page 41).
- To navigate to the next operation.

17 [CALLER ID PRINT]

- To print the Caller ID list (page 26).

18 [CALLER ID SEARCH]

- To view caller information (page 26).

19 [LOWER][NAME/TEL NO.]

- To select stations 12–22 for the one-touch dial feature (page 23, 24, 31).
- To change the display of the caller information (page 26).

20 [STOP]

- To stop an operation or programming session.

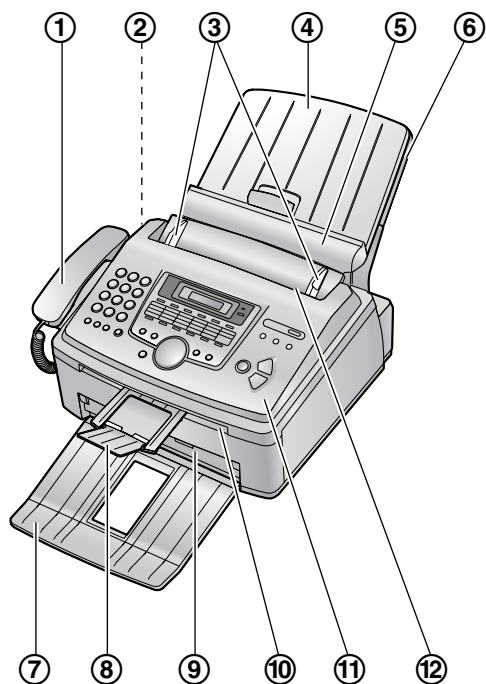
21 [FAX START][SET]

- To start sending or receiving a fax.
- To store a setting during programming.

22 [COPY START]

- To copy a document (page 39).

1.4 Overview



- ① Handset
- ② Speaker
- ③ Document guides
- ④ Paper tray cover
- ⑤ Tension plate
- ⑥ Paper tray
- ⑦ Paper stacker*¹
- ⑧ Document stacker*¹
- ⑨ Recording paper exit
- ⑩ Document exit
- ⑪ Front cover
- ⑫ Document entrance

*1 The paper stacker and document stacker may not be shown in all illustrations.

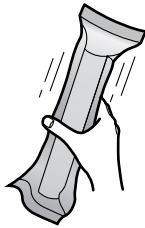
1.5 Toner cartridge and drum unit

The included toner cartridge is a starter toner cartridge. It will print about 800 A4-sized pages with a 5 % image area (page 64).

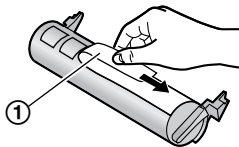
Caution:

- Read the following instructions before you begin installation. After you have read them, open the drum unit protection bag. The drum unit contains a photosensitive drum. Exposing it to light may damage the drum. Once you have opened the protection bag:
 - Do not expose the drum unit to light for more than 5 minutes.
 - Do not touch or scratch the green drum surface.
 - Do not place the drum unit near dust or dirt, or in a high humidity area.
 - Do not expose the drum unit to direct sunlight.
- Do not leave the toner cartridge out of the protection bag for a long time. It will decrease the toner life.

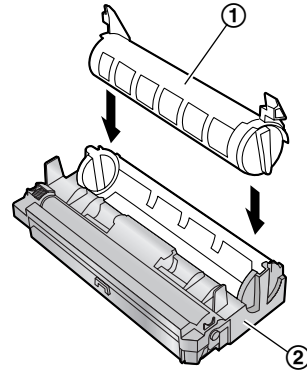
- 1 Before opening the protection bag of the new toner cartridge, shake it vertically more than 5 times.



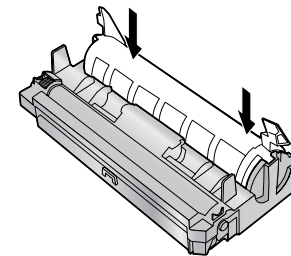
- 2 Remove the toner cartridge and drum unit from the protection bags. Peel off the seal (1) from the toner cartridge.



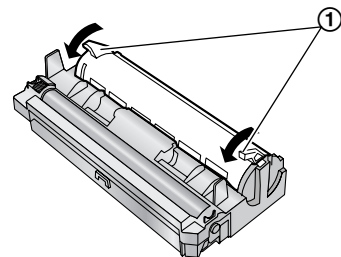
- 3 Place the toner cartridge (1) into the drum unit (2) vertically.



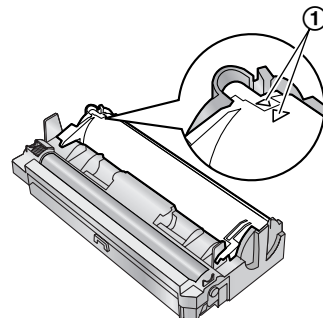
- 4 Firmly press down the toner cartridge to snap into position.



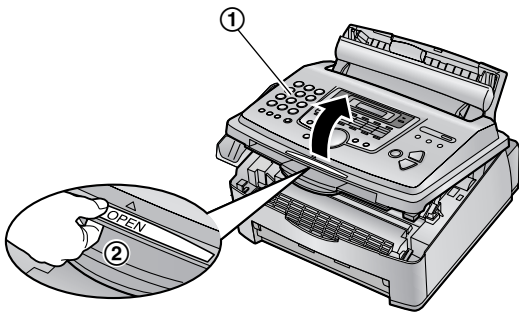
- 5 Turn the two levers (1) on the toner cartridge firmly.



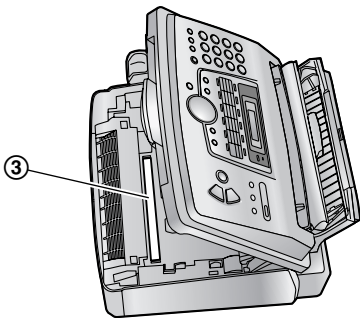
- 6 Make sure that the triangles (1) match, to install the toner cartridge correctly.



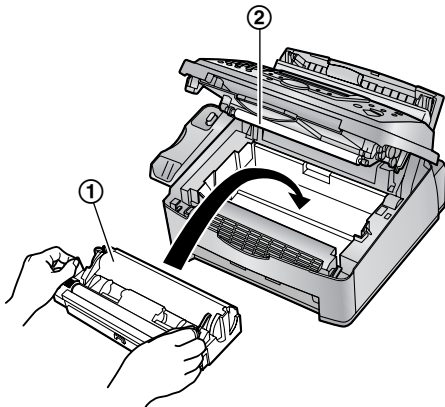
- 7 Lift open the front cover (①), holding OPEN (②).



- If the lower glass (③) is dirty, clean it with a soft and dry cloth.

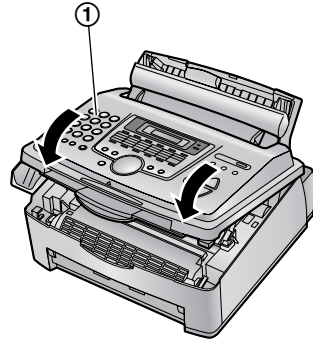


- 8 Install the drum and toner unit (①) by holding the tabs.



- Do not touch the transfer roller (②).

- 9 Close the front cover (①) by pushing down on both sides, until locked.



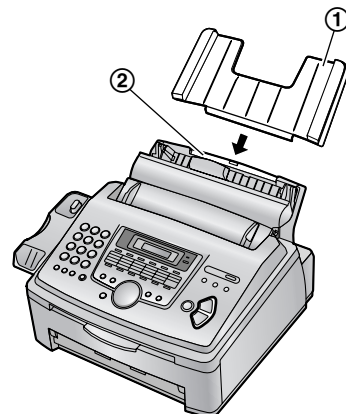
- While the unit displays “PLEASE WAIT”, do not open the front cover, or disconnect the power cord.

Toner save feature

If you want to reduce toner consumption, set the toner save setting to ON (feature #79 on page 44). The toner cartridge will last approximately 40 % longer. This feature may lower the print quality.

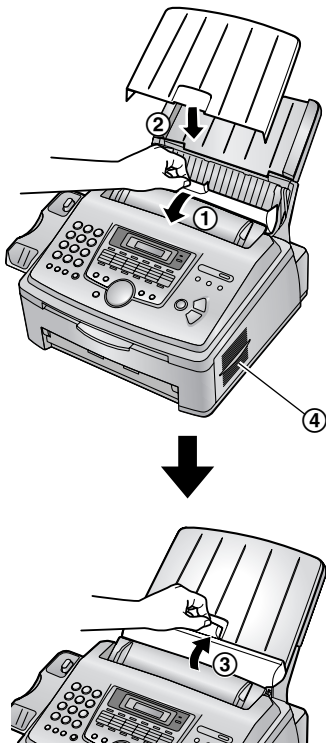
1.6 Paper tray and paper tray cover

- 1 Insert the paper tray (①) into the slot (②) on the back of the unit.



1. Introduction and Installation

- 2 Pull the tension plate forward (①) and attach the paper tray cover (②), then push the tension plate back (③).



Note:

- Do not place the unit in an area where the paper tray may be obstructed (i.e., by a wall, etc.).
- Keep this surface (④) away from walls etc. more than 50 mm to let the unit cool down.

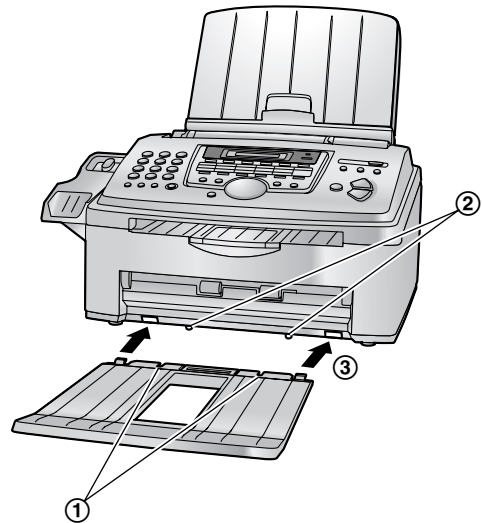
To remove the paper tray

Pull the paper tray forward in the direction of the arrow.



1.7 Paper stacker

Line up the slots (①) in the paper stacker with the pegs (②) on the bottom of the unit, then insert the two tabs of the paper stacker into the slots on the unit (③).

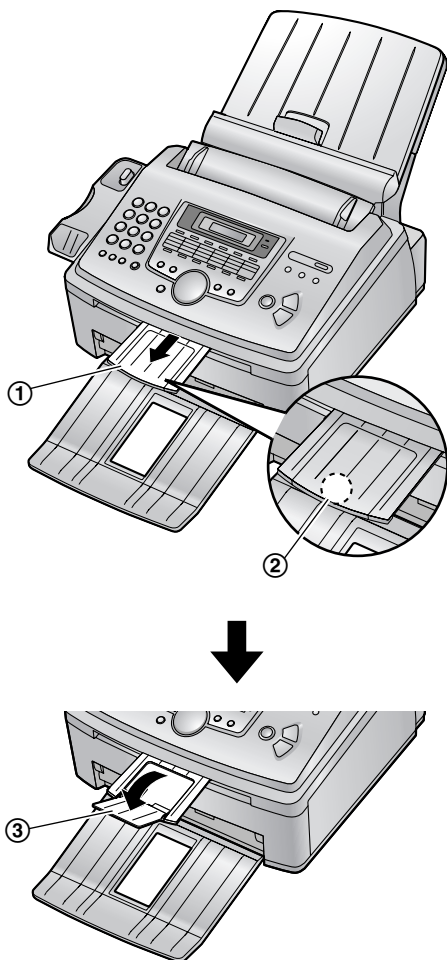


Note:

- Do not place the unit in an area where the paper stacker may be easily bumped into.
- Document and recording paper will be ejected from the front of the unit. Do not place anything in front of the unit.
- The paper stacker can hold up to approximately 100 sheets of printed paper. Remove the printed paper before the paper stacker becomes full.

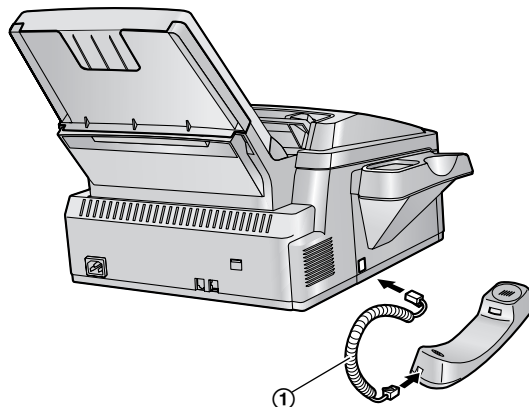
1.8 Document stacker

Pull the document stacker (①) forward gently until it clicks into place, then press the centre part of the document stacker (②) to open the extender (③).



1.9 Handset cord

Connect the handset cord (①).



1.10 Recording paper

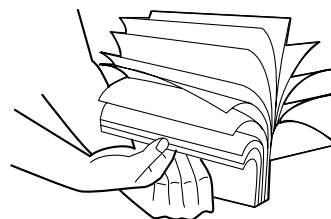
A4 size recording paper can be used for fax messages.

The unit can hold:

- Up to 250 sheets of 60 g/m² to 75 g/m² paper.
- Up to 230 sheets of 80 g/m² paper.
- Up to 200 sheets of 90 g/m² paper.

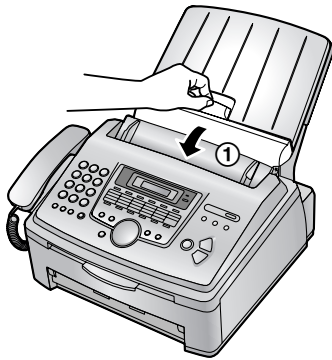
Please refer to page 64 for information on recording paper.

- 1 Before inserting a stack of paper, fan the paper to prevent paper jams.

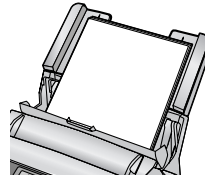


1. Introduction and Installation

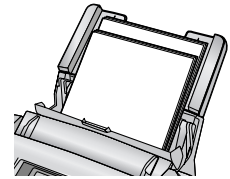
2 Pull the tension plate forward (①).



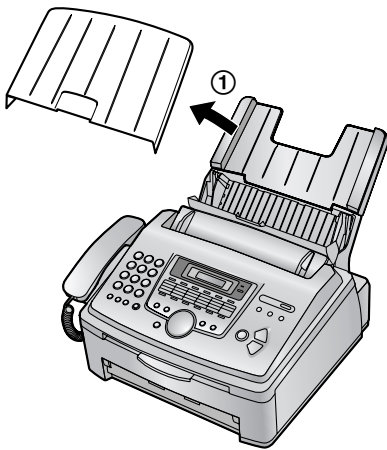
Correct



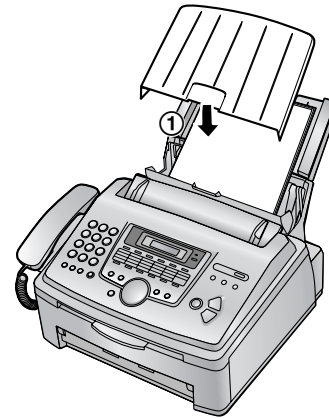
Incorrect



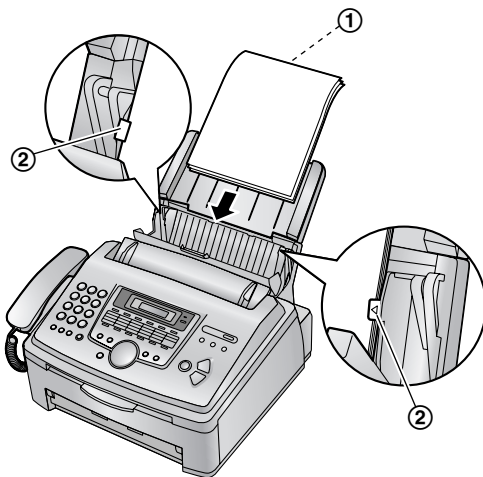
3 Remove the paper tray cover (①).



5 Attach the paper tray cover (①).



4 Insert the paper, print-side down (①).



6 Push the tension plate back (①).



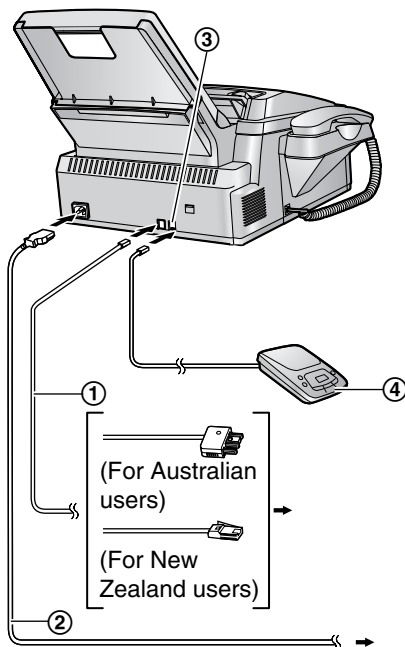
- The paper should not be over the tabs (②).
- If the paper is not inserted correctly, readjust the paper, or the paper may jam.

2.1 Connections

Caution:

- When you operate this product, the power outlet should be near the product and easily accessible.
- Be sure to use the telephone line cord included in this unit.
- Do not extend the telephone line cord.

- ① Telephone line cord
 - Connect to a single telephone line jack.
- ② Power cord
 - Connect to the power outlet (220 – 240 V, 50/60 Hz).
- ③ [EXT] jack
 - Remove the stopper if attached.
- ④ Answering machine (not included)

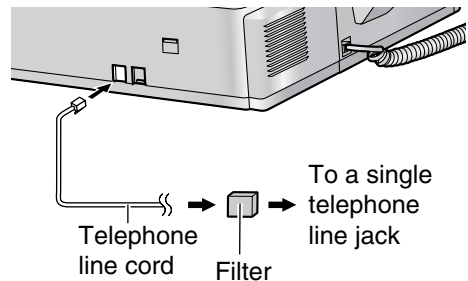


This model is designed to be used in Australia and New Zealand. **TO USE IN NEW ZEALAND, CHANGE THE LOCATION SETTING** (feature #74 on page 44).

Note:

- To avoid malfunction, do not position the fax machine near appliances such as TVs or speakers which generate an intense magnetic field.
- If any other device is connected to the same telephone line, this unit may disturb the network condition of the device.

- If you want to connect an answering machine to this unit, see page 35.
- If you use the unit with a computer and your internet provider instructs you to install a filter, please connect it as follows.



2.2 Help function

The unit contains helpful information which can be printed for quick reference.

Basic settings:

How to set the date, time, your logo and fax number.

Feature list:

How to program the features.

Directory:

How to store names and numbers in the directory and how to dial them.

Fax sending/receiving:

Help with problems to receive faxes.

Copier:

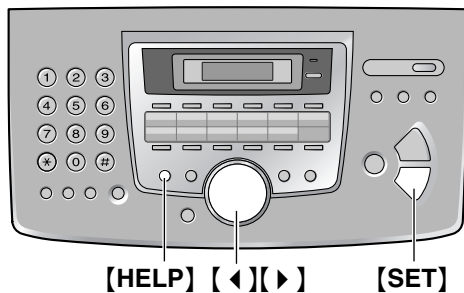
How to use the copier function.

Reports:

List of available reports.

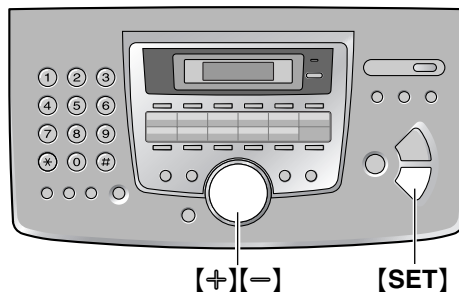
Caller ID:

How to use the Caller ID service.



- 1 Press [HELP].
- 2 Press [◀] or [▶] repeatedly to display the desired item.
- 3 Press [SET].
 - The selected item will be printed.

2.3 Adjusting volume



Ringer volume

4 levels (high/medium/low/off) are available.

While the unit is idle, press [+] or [-].

- If any documents are in the document entrance, you cannot adjust the volume. Confirm that there are no documents in the entrance.

To turn the ringer OFF

1. Press [-] repeatedly to display "RINGER OFF= OK?".
2. Press [SET].
 - When a call is received, the unit will not ring and will display "INCOMING CALL".
 - To turn the ringer back ON, press [+].

Ringer pattern

- You can select one of three ringer patterns (feature #17 on page 42).

Handset receiver volume

3 levels (high to low) are available.

While using the handset, press [+] or [-].

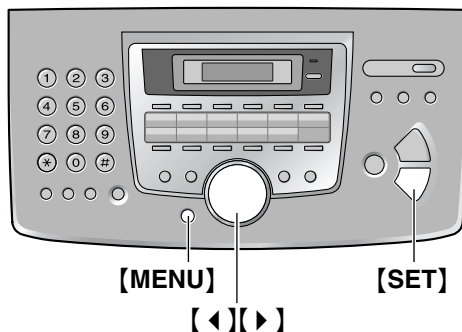
Monitor volume

8 levels (high to low) are available.

While using the monitor, press [+] or [-].

2.4 Date and time

You must set the date and time.



- 1 Press **[MENU]**.

```
SYSTEM SETUP
PRESS NAVI. [◀ ▶]
```

- 2 Press **[◀]** or **[▶]** repeatedly to display the following.

```
SET DATE & TIME
PRESS SET
```

- 3 Press **[SET]**.
 - The cursor (■) will appear on the display.

```
M: 01/D: 01/Y: 05
TIME: 12:00AM
```

- 4 Enter the current month/date/year by selecting 2 digits for each.

Example: August 10, 2005
Press **[0][8] [1][0] [0][5]**.

```
M: 08/D: 10/Y: 05
TIME: 12:00AM
```

- 5 Enter the current hour/minute by selecting 2 digits for each. Press **[*]** to select "AM" or "PM".

Example: 10:15PM (12 hour clock entry)

1. Press **[1][0] [1][5]**.

```
M: 08/D: 10/Y: 05
TIME: 10:15AM
```

2. Press **[*]** repeatedly to display "PM".

```
M: 08/D: 10/Y: 05
TIME: 10:15PM
```

- 6 Press **[SET]**.
 - The next feature will be displayed.

- 7 Press **[MENU]** to exit.

Note:

- The other party's fax machine will print the date and time on the top of each page you send according to your unit's date and time setting.
- The accuracy of the clock is approximately ± 60 seconds a month.

To correct a mistake

Press **[◀]** or **[▶]** to move the cursor to the incorrect number, and make the correction.

If you have subscribed to a Caller ID service

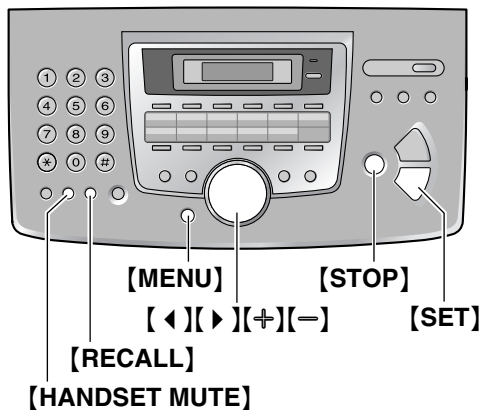
The date and time will be automatically set according to the received caller information.

- If the time has not previously been set, Caller ID will not adjust the clock.

2. Preparation

2.5 Your logo

The logo can be your name or the name of your company.



- 1 Press **[MENU]**.

SYSTEM SETUP
PRESS NAVI. [◀ ▶]

- 2 Press **[◀]** or **[▶]** repeatedly to display the following.

YOUR LOGO
PRESS SET

- 3 Press **[SET]**.
 - The cursor (■) will appear on the display.

LOGO=■

- 4 Enter your logo, up to 30 characters. See the following character table for details.

- 5 Press **[SET]**.
 - The next feature will be displayed.

- 6 Press **[MENU]** to exit.

Note:

- Your logo will be printed on the top of each page sent from your unit.

To select characters with the dial keypad

Keypad	Characters
[1]	1 [] { } + - / = , . _ ` : ; ?
[2]	A B C a b c 2
[3]	D E F d e f 3
[4]	G H I g h i 4

Keypad	Characters
[5]	J K L j k l 5
[6]	M N O m n o 6
[7]	P Q R S p q r s 7
[8]	T U V t u v 8
[9]	W X Y Z w x y z 9
[0]	0 () < > ! " # \$ % & ¥ * @ ^ ' →
[#]	To change capital or lower-case letter.
[RECALL]	To enter a hyphen.
[HANDSET MUTE]	To insert a space.
[STOP]	To delete a digit.

Note:

- To enter another character that is located on the same dial key, press **[▶]** to move the cursor to the next space.

To enter your logo

Example: "BILL"

1. Press **[2]** 2 times.

LOGO=B

2. Press **[4]** 3 times.

LOGO=BI

3. Press **[5]** 3 times.

LOGO=BILL

4. Press **[▶]** to move the cursor to the next space and press **[5]** 3 times.

LOGO=BILL

To change capital or lower-case letters

Pressing the **[#]** key will change to capital or lower-case alternately.

1. Press **[2]** 2 times.

LOGO=B

2. Press **[4]** 3 times.

LOGO=BI

3. Press **[#]**.

LOGO=Bi

4. Press **[5]** 3 times.

LOGO=Bi1

To correct a mistake

Press **[◀]** or **[▶]** to move the cursor to the incorrect character, and make the correction.

To delete a character

Press **[◀]** or **[▶]** to move the cursor to the character you want to delete and press **[STOP]**.

- To erase all characters, press and hold **[STOP]**.

To insert a character

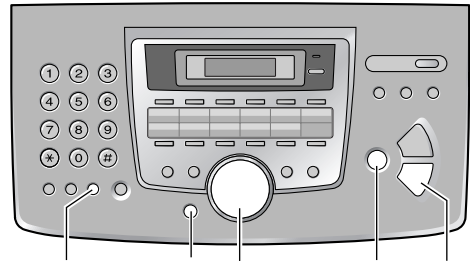
1. Press **[◀]** or **[▶]** to move the cursor to the position to the right of where you want to insert the character.
2. Press **[HANDSET MUTE]** to insert a space and enter the character.

To select characters using **[+]** or **[-]**

Instead of pressing the dial keys, you can select characters using **[+]** or **[-]**.

1. Press **[-]** repeatedly to display the desired character. Characters will be displayed in the following order:
 - ① Uppercase letters
 - ② Number
 - ③ Symbol
 - ④ Lowercase letters
 - If you press **[+]**, the order will be reversed.
2. Press **[▶]** to insert the character.
3. Return to step 1 to enter the next character.

2.6 Your fax number



[RECALL] [MENU] [◀] [▶] [STOP] [SET]

1 Press **[MENU]**.

SYSTEM SETUP
PRESS NAVI. [◀ ▶]

2 Press **[◀]** or **[▶]** repeatedly to display the following.

YOUR FAX NO.
PRESS SET

3 Press **[SET]**.

- The cursor (■) will appear on the display.

NO. =■

4 Enter your fax number, up to 20 digits.

Example: NO. =1234567■

5 Press **[SET]**.

- The next feature will be displayed.

6 Press **[MENU]** to exit.

Note:

- Your fax number will be printed on the top of each page sent from your unit.
- The **[*]** button enters a "+" and the **[#]** button enters a space.
Example: +64 9 1234567
Press **[*][6][4][#][9][#][1][2][3][4][5][6][7]**.
- To enter a hyphen in a telephone number, press **[RECALL]**.

To correct a mistake

Press **[◀]** or **[▶]** to move the cursor to the incorrect number, and make the correction.

To delete a number

Press **[◀]** or **[▶]** to move the cursor to the number you want to delete and press **[STOP]**.

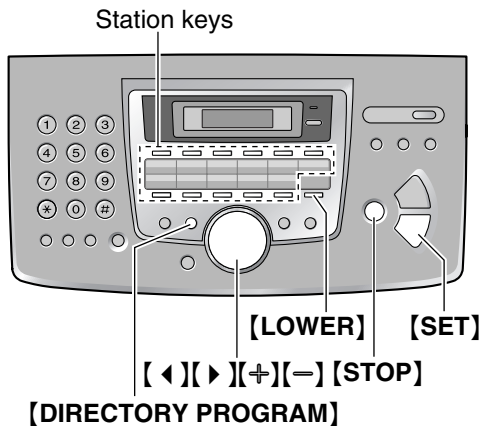
2. Preparation

- To erase all numbers, press and hold **[STOP]**.

3.1 Storing names and telephone numbers for the one-touch dial feature and navigator directory

For rapid access to frequently dialled numbers, the unit provides the one-touch dial feature (22 items) and navigator directory (100 items).

- Station 1 to 3 can be used alternatively as broadcast keys (page 31).
- You can also send faxes using one-touch dial feature and navigator directory (page 31).



3.1.1 Storing one-touch dial item

- 1 Press **[DIRECTORY PROGRAM]**.
- 2 Select the desired station key.

For stations 1–3:

1. Press one of the station keys.

Example:

STATION 1 DIAL MODE	[±]
------------------------	-----

2. Press **[SET]**.

For stations 4–11:

Press one of the station keys.

For stations 12–22:

Press **[LOWER]**, then press one of the station keys.

- 3 Enter the name, up to 10 characters (see page 20 for instructions).
- 4 Press **[SET]**.
- 5 Enter the telephone number, up to 30 digits.
- 6 Press **[SET]**.

- To program other items, repeat steps 2 to 6.

- 7 Press **[DIRECTORY PROGRAM]**.

Helpful hints:

- You can confirm the stored items by printing the telephone number list (page 62).

Note:

- A hyphen or a space entered in a telephone number counts as two digits.

To correct a mistake

Press **[◀]** or **[▶]** to move the cursor to the incorrect character/number, and then make the correction.

To delete a character/number

Press **[◀]** or **[▶]** to move the cursor to the character/number you want to delete, and press **[STOP]**.

- To erase all characters/numbers, press and hold **[STOP]**.

3.1.2 Storing navigator directory items

- 1 Press **[DIRECTORY PROGRAM]**.
- 2 Press **[▶]**.
- 3 Enter the name, up to 10 characters (see page 20 for instructions).
- 4 Press **[SET]**.
- 5 Enter the telephone number, up to 30 digits.
- 6 Press **[SET]**.
 - The display shows the number of items stored in the navigator directory briefly.
 - To program other items, repeat steps 3 to 6.
- 7 Press **[DIRECTORY PROGRAM]**.

Helpful hints:

- You can confirm the stored items by printing the telephone number list (page 62).

Note:

- If "SPACE= 5 DIRS." is displayed, you can store only 5 more items.
- A hyphen or a space entered in a telephone number counts as 2 digits.

To correct a mistake

Press **[◀]** or **[▶]** to move the cursor to the incorrect character/number, and then make the correction.

3. Telephone

To delete a character/number

Press [◀] or [▶] to move the cursor to the character/number you want to delete, and press [STOP].

- To erase all characters/numbers, press and hold [STOP].

3.1.3 Editing a stored item

- 1 Press [▶].
 - Confirm that there are no documents in the document entrance.
- 2 Press [⊕] or [⊖] repeatedly to display the desired item.
- 3 Press [DIRECTORY PROGRAM].
- 4 Press [✖].
 - If you do not need to edit the name, skip to step 6.
- 5 Edit the name. For further details, see the storing procedure on page 23.
- 6 Press [SET].
 - If you do not need to edit the telephone number, skip to step 8.
- 7 Edit the telephone number. For further details, see the storing procedure on page 23.
- 8 Press [SET].
 - To edit other navigator directory items, repeat steps 2 to 8.
- 9 Press [STOP].

3.1.4 Erasing a stored item

- 1 Press [▶].
 - Confirm that there are no documents in the document entrance.
- 2 Press [⊕] or [⊖] repeatedly to display the desired item.
- 3 Press [DIRECTORY PROGRAM].
- 4 Press [‡].
 - To cancel erasing, press [STOP].
- 5 Press [SET].
 - To erase other items, repeat steps 2 to 5.
- 6 Press [STOP].

3.2 Making a phone call using one-touch dial feature or navigator directory

Before using this feature, store the desired names and telephone numbers in one-touch dial feature and navigator directory (page 23).

- Keep the front cover page open for button locations.

3.2.1 Using one-touch dial feature

- 1 Press [MONITOR] or lift the handset.
- 2 Select the desired station key.

For stations 1–11:

Press the desired station key.

For stations 12–22:

Press [LOWER], then press the desired station key.

- The unit will start dialling automatically.

3.2.2 Using the navigator directory

- 1 Press [▶].
 - Confirm that there are no documents in the document entrance.
- 2 Press [⊕] or [⊖] repeatedly to display the desired item.
- 3 Press [MONITOR] or lift the handset.
 - The unit will start dialling automatically.

To search for a name by initial

Example: "LISA"

1. Press [▶].
 - Confirm that there are no documents in the document entrance.
2. Press [⊕] or [⊖] to initiate the navigator directory.
3. Press [5] repeatedly to display any name with the initial "L" (see the character table, page 20).
 - To search for symbols (not letters or numbers), press [✖].
4. Press [⊕] or [⊖] repeatedly to display "LISA".
 - To stop the search, press [STOP].

- To dial the displayed party, press **[MONITOR]** or lift the handset.

3.3 Caller ID service

This unit is compatible with the Caller ID service offered by your local telephone company. To use this unit's Caller ID features, you must subscribe to Caller ID service.

Important:

- This unit will only display the caller's telephone number and name.
- This unit will not support future additional telephone services.
- Depending on the service of the local telephone company, the date/time of the call or the caller's name may not be displayed.

Make sure the following ring setting is set to 2 or more rings beforehand.

- FAX ring setting (feature #06 on page 42)

3.3.1 How Caller ID is displayed

The calling party's telephone number or name will be displayed after the 1st ring. You then have the option of whether or not to answer the call. The unit will automatically store caller information (telephone number, name and the time of the call) of the 30 most recent calls. Caller information is stored by the most recent to the oldest call. When the 31st call is received, the oldest call is deleted.

Caller information can be viewed on the display one item at a time (page 26) or confirmed by printing the Caller ID list (page 26).

- When caller information is received and it matches a telephone number stored in the unit's one-touch dial or navigator directory, the stored name will be displayed.
- If the unit is connected to a PBX (Private Branch Exchange) system, caller information may not be received properly. Consult your PBX supplier.
- If the unit cannot receive caller information, the following will be displayed:
 - “**OUT OF AREA**”: The caller dialed from an area which does not provide Caller ID service.
 - “**PRIVATE CALLER**”: The caller requested not to send caller information.
 - “**LONG DISTANCE**”: The caller made a long distance call.

Note for Australian users:

- Although Telstra and Optus do not currently send caller name information, the caller's name will be displayed as stored in the

3. Telephone

directory, when a call from that caller is received.

- The area code will need to be stored with the 8-digit telephone number.

Note for New Zealand users:

- Although Telecom New Zealand and TelstraClear do not currently send caller name information, the caller's name will be displayed as stored in the directory, when a call from that caller is received.
- Your telephone service provider may charge you for a local call when it is dialled with an area code prefix. If the charge for local call is unacceptable, only the 7-digits of the local number should be dialled from your telephone. Do not dial the "0" prefix or the area code digit.

To confirm caller information by printing the Caller ID list

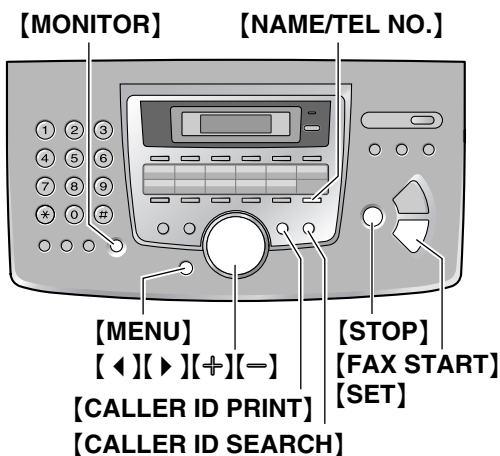
- To print manually, see page 26.
- To print automatically after every 30 new calls, activate feature #26 (page 43).

3.4 Viewing and calling back using caller information

You can easily view caller information and call back.

Important:

- **Calling back will not be possible in the following cases:**
 - The telephone number includes data other than numbers (i.e., * or #).
 - The caller information does not include a telephone number.



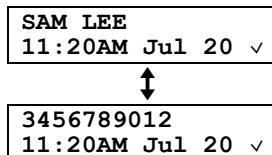
- 1 Press **[CALLER ID SEARCH]**.
- 2 Press **[+]** to search from the most recently received caller information.
 - If you press **[-]**, the display order will be reversed.
- 3 Press **[MONITOR]** or lift the handset to return the call.
 - The unit will start dialling automatically.
 - To send a fax, insert the document **FACE DOWN** and press **[FAX START]**.

Note:

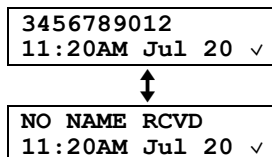
- Telstra, Optus, Telecom New Zealand and TelstraClear do not currently send caller name information.

To change the display of the caller information

Press **[NAME/TEL NO.]** repeatedly after step 2.
Example (for Australian users):



Example (for New Zealand users):



- Check mark (✓) on the display means the call has already been viewed or answered.

Display while viewing

- When the unit could not receive a name, the display will show "NO NAME RCVD".
- When no calls have been received, the display will show "NO CALLER DATA".

To stop viewing

Press **[STOP]** after step 2.

3.4.1 Printing the Caller ID list

- 1 Press **[CALLER ID PRINT]** to start printing.
 - The display will show "ERASE ALL OK?" after printing.
- 2 Press **[STOP]** to exit the program.
 - To erase all of the stored caller information, press **[SET]** instead of **[STOP]**.

3.4.2 Editing a caller's telephone number before calling back

- 1 Press **[CALLER ID SEARCH]**.
- 2 Press **[+]** or **[-]** repeatedly to display the desired entry.
- 3 Press **[NAME/TEL NO.]** to display the telephone number.
- 4 Press dial key (0 to 9) or **[*]** to enter the editing mode and edit the telephone number.
- 5 Press **[MONITOR]** or lift the handset to call back the edited number.
 - The unit will start dialling automatically.
 - To send a fax, insert the document **FACE DOWN** and press **[FAX START]**.

Note:

- The edited telephone number will not be saved in the caller information. To save in the directory, see page 27.

To correct a mistake

1. Press **[◀]** or **[▶]** to move the cursor to the incorrect number.
2. Press **[STOP]** to delete the number.
3. Enter the correct number.

To delete a number

Press **[◀]** or **[▶]** to move the cursor to the number you want to delete and press **[STOP]**.

To insert a number

1. Press **[◀]** or **[▶]** to move the cursor to the position to the right of where you want to insert the number.
2. Enter the number.

3.4.3 Erasing all caller information

- 1 Press **[MENU]** repeatedly to display "CALLER SETUP".
- 2 Press **[SET]**.
 - "CALL LIST ERASE" will be displayed.
- 3 Press **[SET]**.
 - To cancel erasing, press **[STOP]**, then **[MENU]**.
- 4 Press **[SET]**.
- 5 Press **[STOP]** to exit the program.

3.4.4 Erasing specific caller information

- 1 Press **[CALLER ID SEARCH]**.
- 2 Press **[+]** or **[-]** repeatedly to display the desired item.
- 3 Press **[◀]**.
 - To cancel erasing, press **[STOP]** 2 times.
- 4 Press **[SET]**.
 - To erase other items, repeat steps 2 to 4.
- 5 Press **[STOP]** to exit the program.

Note:

- Telstra, Optus, Telecom New Zealand and TelstraClear do not currently send caller name information.

3.5 Storing caller information into the one-touch dial feature and navigator directory

- Keep the front cover page open for button locations.

Important:

- This feature is not available in the following cases.
 - The telephone number includes data other than numbers (i.e., * or #).
 - The caller information does not include a telephone number.

- 1 Press **[CALLER ID SEARCH]**.
- 2 Press **[+]** or **[-]** repeatedly to display the desired item.
- 3 Press **[DIRECTORY PROGRAM]**.
- 4 Select the station key or navigator directory.

For stations 1–3:

1. Press the desired station key.
2. Press **[SET]**.
3. Press **[SET]**.

For stations 4–11:

1. Press the desired station key.
2. Press **[SET]**.

For stations 12–22:

1. Press **[LOWER]**, then press the desired station key.

3. Telephone

2. Press **[SET]**.

For navigator directory:

1. Press **[◀]** or **[▶]**.

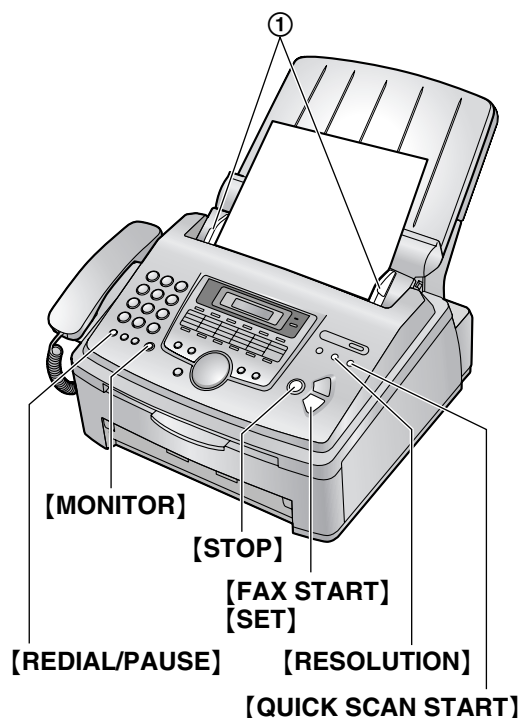
2. Press **[SET]**.

5 Press **[SET]**.

Note:

- You can confirm the stored items by printing the telephone number list (page 62).
- The unit can only store a name of up to 10 characters long.
- To edit a name or number, see page 24.
- If caller information does not include the caller's name, enter the name manually. See the instructions on page 23.
- If you assign an item to a station key which already contains an item, the previous item will be replaced.
- If you use stations 1–3 as broadcast keys, you cannot store caller information for stations 1–3 (page 31).
- Telstra, Optus, Telecom New Zealand and TelstraClear do not currently send caller name information.

4.1 Sending a fax manually



- 1 Adjust the width of the document guides (①) to fit the actual size of the document.
- 2 Insert the document (up to 20 pages) FACE DOWN until a single beep is heard and the unit grasps the document.
 - If the document guides are not adjusted to fit the document, re-adjust them.
- 3 If necessary, press **[RESOLUTION]** repeatedly to select the desired resolution.
- 4 Press **[MONITOR]**.
- 5 Dial the fax number.
- 6 **When a fax tone is heard:**
Press **[FAX START]**.

When the other party answers your call:

Lift the handset and ask them to press their start button. When the fax tone is heard, press **[FAX START]**.

Note:

- After pressing **[FAX START]**, you can replace the handset.

To select the resolution

Select the desired resolution according to the type of document.

- “**STANDARD**”: For printed or typewritten documents with normal-sized characters.
- “**FINE**”: For documents with small print.
- “**SUPER FINE**”: For documents with very small print. This setting is effective only when the other party has a compatible fax machines.
- “**PHOTO**”: For documents containing photographs, shaded drawings, etc.
- “**PHOTO WITH TEXT**”: For documents containing photographs and text.
 - Using the “**FINE**”, “**SUPER FINE**”, “**PHOTO**” and “**PHOTO WITH TEXT**” settings will increase transmission time.
 - If the resolution setting is changed during feeding, it will be effective from the next page.

To redial the last number

1. Press **[REDIAL/PAUSE]**.
2. Press **[FAX START]**.
 - If the line is busy, the unit will automatically redial the number up to 2 times.
 - To cancel redialling, press **[STOP]**, then press **[SET]**.

To send more than 20 pages at a time

Insert the first 20 pages of the document. Add the other pages (up to 20 at a time) on top of the previously inserted pages before the last page feeds into the unit.

To prep dial a fax number

You can dial the fax number first before inserting the document. This is convenient if you need to refer to the document for the other party's fax number.

1. Enter the fax number.
2. Insert the document.
3. Press **[FAX START]**.

Sending from memory (Quick scan feature)

You can scan the document into memory before sending.

1. Insert the document.
2. Enter the fax number.
3. Press **[QUICK SCAN START]**.

Transmitting reservation (Dual Access) feature

You can send the document even when the unit is just receiving a fax or sending a fax from memory (up to 3 reservations).

4. Fax

1. Insert the document during fax reception or fax memory transmission.
2. Enter the fax number using the dial keypad, one-touch dial or navigator directory.
3. Press **[QUICK SCAN START]** or **[FAX START]**.
 - The document will be fed into the unit and scanned into memory. The unit will then send the data. If the document exceeds the memory capacity, transmission will be cancelled. You must send the entire document manually.

To stop transmission

Press **[STOP]**.

Printing a sending report

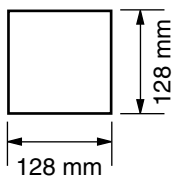
A sending report provides you with a printed record of transmission results. To print sending reports, make sure feature #04 is activated (page 42). For an explanation of error messages, see page 47.

Printing a journal report

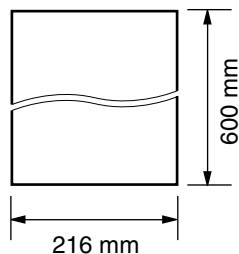
A journal report provides you with a printed record of the 30 most recent faxes. To print manually, see page 62. To print automatically after every 30 new fax transmissions and receptions, make sure feature #22 is activated (page 43). For an explanation of error messages, see page 47.

4.2 Documents you can send

Minimum document size

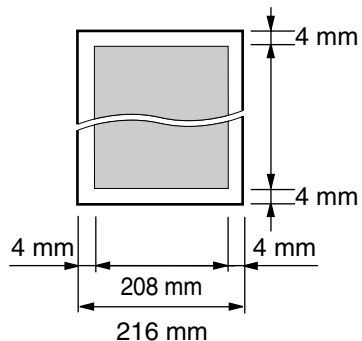


Maximum document size



Effective scanning area

- Shaded area will be scanned.



Document weight

- Single sheet:
45 g/m² to 90 g/m²
- Multiple sheets:
60 g/m² to 80 g/m²

Note:

- Remove clips, staples or other fasteners.
- Do not send the following types of documents: (Make a copy of the document and send the copy.)
 - Chemically treated paper such as carbon or carbonless duplicating paper
 - Electrostatically charged paper
 - Badly curled, creased or torn paper
 - Paper with a coated surface
 - Paper with a faint image
 - Paper with printing on the opposite side that can be seen through the other side, such as newsprint
- Check that ink, paste or correction fluid has dried completely.
- To send a document with a width of less than 210 mm, we recommend using a copy machine to copy the original document onto A4-sized paper, then sending the copied document.

4.3 Sending a fax using one-touch dial feature and navigator directory

Before using this feature, store the desired names and telephone numbers into one-touch dial feature and navigator directory (page 23).

- Keep the front cover page open for button locations.
- 1 Adjust the width of the document guides to fit the actual size of the document.
 - 2 Insert the document (up to 20 pages) FACE DOWN until a single beep is heard and the unit grasps the document.
 - If the document guides are not adjusted to fit the document, re-adjust them.
 - 3 If necessary, press **[RESOLUTION]** repeatedly to select the desired resolution (page 29).
 - 4 Enter the fax number.

Using stations 1–11:

Press the desired station key.

Using stations 12–22:

Press **[LOWER]**, then press the desired station key.

Using navigator directory:

Press **[◀]** or **[▶]**, then press **[+]** or **[–]** repeatedly to display the desired item and press **[FAX START]**.

Fax auto redial

If the line is busy or if there is no answer, the unit will automatically redial the number up to 2 times.

- To cancel redialling, press **[STOP]**, then press **[SET]**.
- ### If your unit does not send a fax
- Confirm that you have entered the number correctly, and that the number is a fax number.
 - Confirm that the other party's fax machine is answering by turning ON the connecting tone feature (feature #76, page 44).

4.4 Broadcast transmission

By storing one-touch dial and navigator directory items (page 23) into the broadcast memory, you can send the same document to multiple parties (up to 20). Your programmed items will remain in the broadcast memory, allowing frequent re-use.

- The broadcast function utilises stations 1–3. The one-touch dial function will be disabled.
- Keep the front cover page open for button locations.

4.4.1 Programming items into the broadcast memory

- 1 Press **[DIRECTORY PROGRAM]**.
- 2 Select the desired broadcast key.

For BROADCAST 1-2:

1. Press the desired **[BROADCAST]** key.
2. Press **[+]** or **[–]** repeatedly to select “BROADCAST”.

For MANUAL BROADCAST:

1. Press **[MANUAL BROAD]**.
2. Press **[+]** or **[–]** repeatedly to select “MANUAL BROAD”.

- 3 Press **[SET]**.
- 4 Program items.

Using stations 1–11:

Press the desired station key.

Using stations 12–22:

Press **[LOWER]**, then press the desired station key.

Using navigator directory:

Press **[+]** or **[–]** repeatedly to display the desired item, and press **[SET]**.

Using the dial keypad (only for MANUAL BROAD):

Enter the fax number and press **[SET]**.

- To program other items, repeat this step (up to 20 items).
- 5 Press **[SET]** after programming all of the desired items.
 - To program another broadcast key, repeat steps 2 to 5.
 - 6 Press **[STOP]** to exit.

4. Fax

Note:

- If you program the wrong item, press **[STOP]** after step 4 to erase the item.
- Confirm the stored items by printing a broadcast programming list (page 62).

4.4.2 Adding a new item into the broadcast memory

After initial programming, you can add new items (up to a combined total of 20).

- 1 Press **[▶]**.
 - Confirm that there are no documents in the document entrance.
- 2 Press **[+]** or **[-]** repeatedly to display the desired broadcast memory ("**<BROADCAST1>**", "**<BROADCAST2>**" or "**<MANUAL BROAD>**").
- 3 Press **[DIRECTORY PROGRAM]**.
- 4 Press **[✳]**.
- 5 Press **[+]** or **[-]** repeatedly to display the desired item you want to add.
- 6 Press **[SET]**.
 - To add other items, repeat steps 5 and 6 (up to 20 items).
- 7 Press **[DIRECTORY PROGRAM]** to exit.

Note:

- When adding new items to the MANUAL BROADCAST memory, you can only select stored items.

4.4.3 Erasing a stored item from the broadcast memory

- 1 Press **[▶]**.
 - Confirm that there are no documents in the document entrance.
- 2 Press **[+]** or **[-]** repeatedly to display the desired broadcast memory ("**<BROADCAST1>**", "**<BROADCAST2>**" or "**<MANUAL BROAD>**").
- 3 Press **[DIRECTORY PROGRAM]**.
- 4 Press **[⏏]**.
- 5 Press **[+]** or **[-]** repeatedly to display the desired item you want to erase.
 - To cancel erasing, press **[STOP]**.
- 6 Press **[SET]**.
- 7 Press **[SET]**.
 - To erase other items, repeat steps 5 to 7.

- 8 Press **[DIRECTORY PROGRAM]** to exit.

4.4.4 Sending the same document to pre-programmed parties

- 1 Insert the document FACE DOWN.
- 2 If necessary, press **[RESOLUTION]** repeatedly to select the desired resolution (page 29).
- 3 Press the desired **[BROADCAST]** (1-2) or **[MANUAL BROAD]**.
 - The document will be fed into the unit and scanned into memory. The unit will then send the data to each party, calling each number sequentially.
 - After transmission, the stored document will be erased from memory automatically, and the unit will automatically print a report (**broadcast sending report**).

Note:

- If you select "**FINE**", "**SUPER FINE**", "**PHOTO**" or "**PHOTO WITH TEXT**" resolution, the number of pages that the unit can send will decrease.
- If the document exceeds the memory capacity, sending will be cancelled.
- If a party is busy or does not answer, it will be skipped and redialled later up to 2 times.

To cancel broadcast transmission

1. Press **[STOP]** while "**BROADCASTING**" is displayed.
 - The display will show "**SEND CANCELLED?**".
2. Press **[SET]**.

4.5 Selecting the way to use your fax machine

Depending on your situation, select the way you prefer to use your fax machine.

- Use only as a fax
- Mostly phone calls
- With answering machine

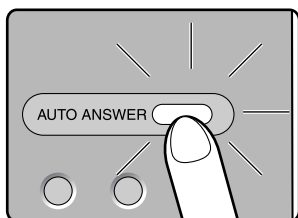
4.5.1 Use only as a fax

Your situation

You have a separate telephone line just for faxes.

How to set up

Set the fax machine to FAX ONLY mode (page 35) by pressing **[AUTO ANSWER]** repeatedly.



How to receive calls

All incoming calls will be answered as faxes.

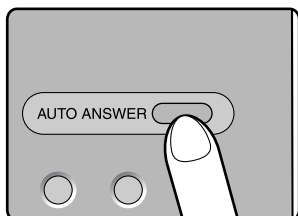
4.5.2 Mostly phone calls

Your situation

You plan to answer the calls yourself.

How to set up

Set the fax machine to TEL mode (page 34) by pressing **[AUTO ANSWER]** repeatedly.



How to receive calls

You have to answer all calls manually.

To receive a fax document, press **[FAX START]** for each fax receiving.

4.5.3 With answering machine

Your situation

You want to use the fax machine with an answering machine.

How to set up

Connect an external telephone answering machine and set the ring count of the answering machine to less than 4.

- Set the ring count in FAX ONLY mode of the fax machine to more than 4, if you use with auto answer on.

How to receive calls

When receiving phone calls, the answering machine will record voice messages.

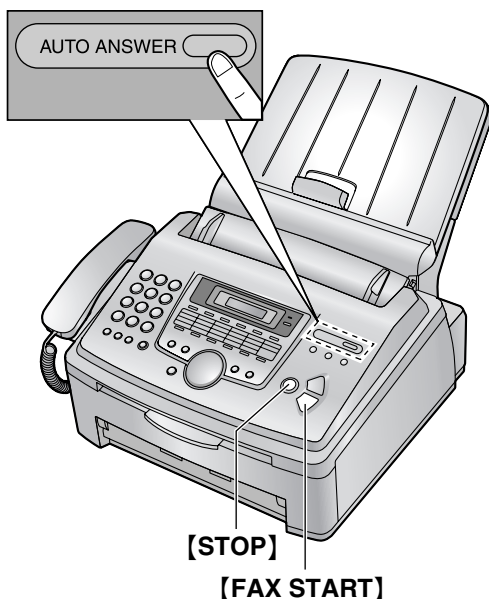
4.6 Receiving a fax manually – Auto answer OFF

4.6.1 Activating TEL mode

Set the fax machine to TEL mode by pressing **[AUTO ANSWER]** repeatedly to display the following.

TEL MODE

- The **[AUTO ANSWER]** light is OFF.



To stop receiving

Press **[STOP]**.

How to receive faxes with an extension telephone

If you have another telephone connected to the same line (extension telephone), you can use the extension telephone to receive faxes.

1. When the extension telephone rings, lift the handset of the extension telephone.
2. When:
 - document reception is required,
 - a fax calling tone (slow beep) is heard, or
 - no sound is heard,press **[*] [#] [9]** (default fax activation code) **firmly**.
 - The fax machine will start reception.
3. Replace the handset.

Note:

- To receive fax documents using the extension telephone, make sure remote fax activation is turned ON (feature #41 on page 43) beforehand. The default setting is ON.

How to receive phone calls and faxes

1. Lift the handset to answer the call.
2. When:
 - document reception is required,
 - a fax calling tone (slow beep) is heard, or
 - no sound is heard,press **[FAX START]**.

CONNECTING

3. Replace the handset.
 - The unit will start fax reception.
 - If you do not answer the call within 10 rings, the unit will temporarily switch to fax reception. The other party can then send a fax.

4.7 Receiving a fax automatically – Auto answer ON

4.7.1 Activating FAX ONLY mode

Set the fax machine to FAX ONLY mode by pressing **[AUTO ANSWER]** repeatedly to display the following.

FAX ONLY MODE

- The **[AUTO ANSWER]** light is ON.



How faxes are received

When receiving calls, the unit will automatically answer all calls and only receive fax documents.

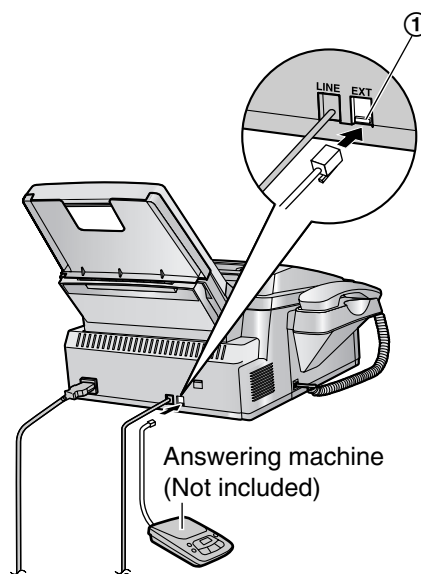
Note:

- The number of rings before a call is answered in FAX ONLY mode can be changed (feature #06 on page 42).

4.8 Using the unit with an answering machine

4.8.1 Setting up the fax machine and an answering machine

- 1 Connect the answering machine.
 - Remove the stopper (①).



- 2 Set the number of rings on the answering machine to less than 4.
 - This will allow the answering machine to answer the call first.
- 3 Record a greeting message on the answering machine.
 - We recommend you record a message up to 10 seconds long, and not to pause for more than 4 seconds during the message. Otherwise, both machines will not function correctly.
- 4 Activate the answering machine.
- 5 Set the fax machine to the desired receiving mode (page 34, 35).
 - If you set to FAX ONLY mode, **change the ring setting in FAX ONLY mode to more than 4 (feature #06 on page 42).**
- 6 Check all or part of the followings are not the same:
 - the remote access code of the answering machine
 - the fax activation code (feature #41 on page 43)

4. Fax

Receiving a voice message and fax document in one call

The caller can leave a voice message and send a fax document during the same call. Inform the caller of the following procedure beforehand.

1. The caller calls your unit.
 - The answering device will answer the call.
2. The caller can leave a message after the greeting message.
3. The caller presses *#9 (pre-selected fax activation code).
 - The unit will activate the fax function.
4. The caller presses the start button to send a document.

Note:

- The fax activation code can be changed in feature #41 (page 43).

4.9 Receive polling (retrieving a fax placed on another fax machine)

This feature allows you to retrieve a document from another compatible machine. Therefore you pay for the call.

Make sure that no documents are fed into your unit and that the other party's machine is ready for your call.

- Keep the front cover page open for button locations.

- 1 Press **[MENU]** repeatedly to display "POLLING".
- 2 Press **[SET]**.
- 3 Dial the fax number.
- 4 Press **[SET]**.
 - The unit will start reception.

4.10 Junk fax prohibitor (preventing fax reception from undesired callers)

If you subscribe to Caller ID service, this feature prevents fax reception from calls that do not show caller information.

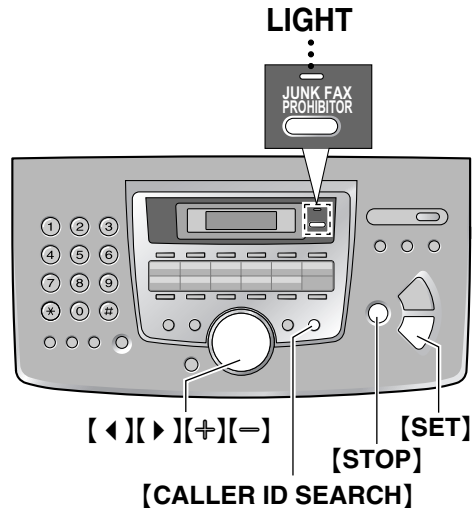
Additionally, you can store undesirable phone numbers in the junk fax prohibitor list; faxes sent from these phone numbers will not be received by your fax machine.

- Keep the front cover page open for button locations.

Important:

- This feature does not work when:
 - the unit is set to the TEL mode, or
 - manual reception is performed.

4.10.1 Activating the junk fax prohibitor



- 1 Press **[JUNK FAX PROHIBITOR]**.
- 2 Press **[>]**.
- 3 Press **[+]** or **[-]** repeatedly to select "ON".
- 4 Press **[SET]**.
- 5 Press **[STOP]** to exit the program.

Note:

- While the junk fax prohibitor is activated, the JUNK FAX PROHIBITOR indicator is ON.

4.10.2 Storing undesired callers

You can register up to 10 undesired numbers from the Caller ID list (page 26) if you do not wish to receive faxes from them.

- 1 Press **[CALLER ID SEARCH]**.
- 2 Press **[+]** or **[-]** repeatedly to display the party you wish to prevent fax reception from.
- 3 Press **[JUNK FAX PROHIBITOR]**.
- 4 Press **[SET]**.
 - To program other parties, repeat steps 2 to 4.
- 5 Press **[STOP]** to exit the program.

Note:

- If there is no space to store new items, “**LIST FULL**” is displayed in step 4. Erase unnecessary items.

To display the junk fax prohibitor list

1. Press [**JUNK FAX PROHIBITOR**].
2. Press [**▶**] repeatedly to display “**JUNK LIST DISP.**”.
3. Press [**SET**].
4. Press [**+**] or [**-**] to display the items on the list.
5. Press [**STOP**] to stop viewing.
6. Press [**STOP**] to exit the list.

To print the junk fax prohibitor list

1. Press [**JUNK FAX PROHIBITOR**].
2. Press [**▶**] repeatedly to display “**JUNK LIST PRINT**”.
3. Press [**SET**].
4. Press [**STOP**] to exit the list.

To erase an item from the junk fax prohibitor list

1. Press [**JUNK FAX PROHIBITOR**].
2. Press [**▶**] repeatedly to display “**JUNK LIST DISP.**”.
3. Press [**SET**].
4. Press [**+**] or [**-**] repeatedly to display the desired item.
5. Press [**◀**].
 - To cancel erasing, press [**STOP**].
6. Press [**SET**].
 - The item is erased.
 - To erase other items, repeat steps 4 to 6.
7. Press [**STOP**] 2 times.

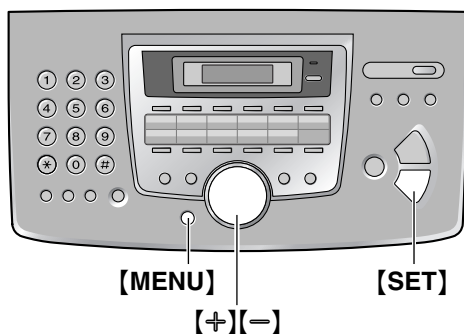
5.1 Using with the ring detection feature

This feature is only for use if you subscribe to a Distinctive Ring pattern service from your telephone company. For more information on the availability of this service in your area, please contact your telephone company before setting this feature on your unit. In Australia, this service is called “Fax Stream Duet”.

In New Zealand, this service is called “FaxAbility”.

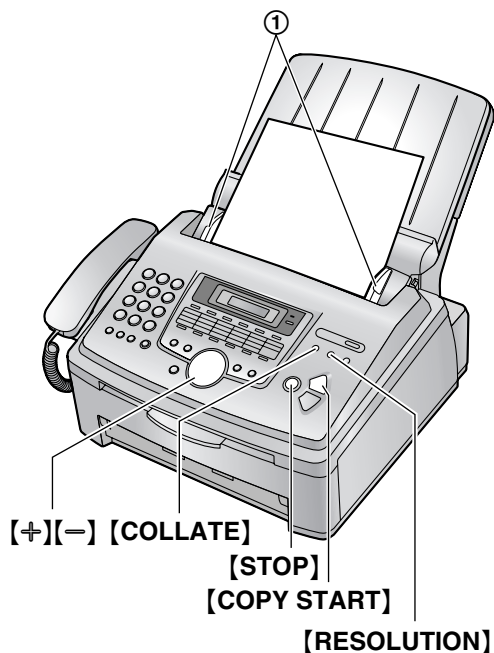
The Distinctive Ring service gives you an additional phone number on a single telephone line, with a different ringing pattern.

When you wish to use the additional phone number as a facsimile telephone number, set the ring pattern detection feature to ON. When the unit detects a call matching the Distinctive Ring pattern, it will receive a fax automatically.



- 1 Press [MENU].
- 2 Press [#], then [3][1].
- 3 Press [+] or [-] to select “ON”.
- 4 Press [SET].
- 5 Press [MENU].

6.1 Making a copy



- Adjust the width of the document guides (①) to fit the actual size of the document.
- Insert the document (up to 20 pages) **FACE DOWN** until a single beep is heard and the unit grasps the document.
 - If the document guides are not adjusted to fit the document, re-adjust them.
- If necessary, press **[RESOLUTION]** repeatedly to select the desired resolution.
- Press **[COPY START]**.
 - If necessary, enter the number of copies (up to 99).
- Press **[COPY START]**, or wait for 20 seconds.
 - The unit will start copying.

Note:

- Any document which can be sent as a fax can also be copied (page 30).

To select the resolution

Select the desired resolution according to the type of document.

- “**FINE**”: For printed or typewritten documents with small print.
- “**SUPER FINE**”: For documents with very small print.

- “**PHOTO**”: For documents containing photographs, shaded drawings, etc.
- “**PHOTO WITH TEXT**”: For documents containing photographs and text.
- If you select “**STANDARD**”, copying will be done using “**FINE**” mode.

To stop copying

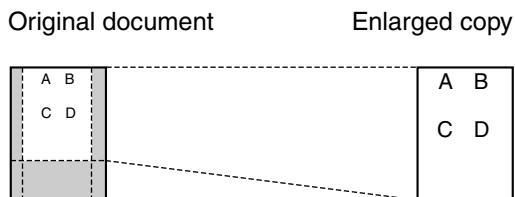
Press **[STOP]**.

6.1.1 More copying features

To enlarge a document

- Insert the document, then press **[COPY START]**.
- Press **[+]** repeatedly to select from “105%” to “200%” by changing the enlargement rate 5% at a time.
- Press **[COPY START]**.
 - The unit will only enlarge the centre of the upper part of the document. To make an enlarged copy of the bottom of the document, turn the document around, and then make a copy.

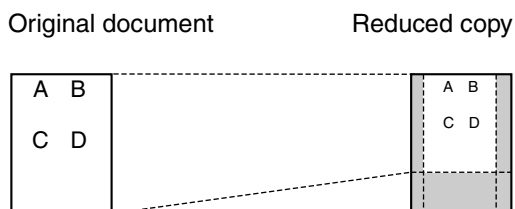
Example: 150% enlarged copy



To reduce a document

- Insert the document, then press **[COPY START]**.
- Press **[−]** repeatedly to select from “50%” to “95%” by changing the reduction rate 5% at a time.
- Press **[COPY START]**.

Example: 70% reduced copy



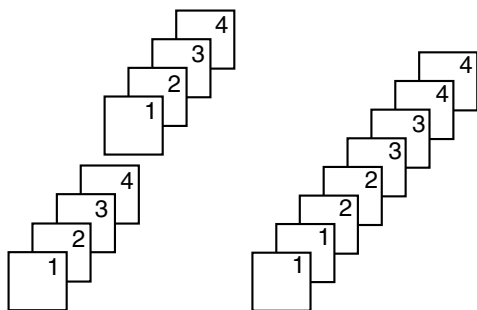
6. Copy

To collate multiple copies

The unit can collate multiple copies in the same order as the original document pages.

1. Insert the document, then press **[COLLATE]** repeatedly to display “**COLLATE=ON**”.
2. Enter the number of copies (up to 99).
3. Press **[COPY START]**.

Example: Making 2 copies of a 4-page original document



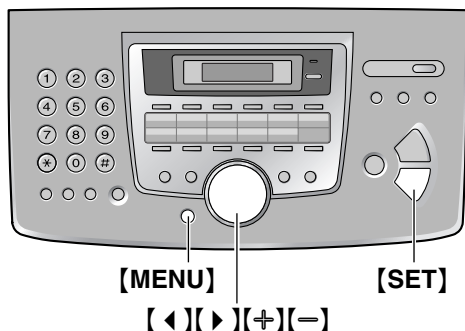
Collated pages

Uncollated pages

Note:

- The unit will store the documents into memory while collating the copies. If memory becomes full while storing, the unit will only print out the stored pages.
- After copying, the collating feature will turn OFF automatically.

7.1 Programming



7.1.1 Programming basic features

- 1 Press **[MENU]**.
- 2 Select the feature you wish to program. Press **[◀]** or **[▶]** repeatedly to display the desired feature.
 - The current setting of the feature will be displayed.
- 3 Press **[+]** or **[-]** repeatedly to display the desired setting.
 - This step may be slightly different depending on the feature.
- 4 Press **[SET]**.
 - The setting you selected is set, and the next feature will be displayed.
- 5 To exit programming, press **[MENU]**.

7.1.2 Programming advanced features

- 1 Press **[MENU]**.
- 2 Press **[◀]** or **[▶]** repeatedly to display "ADVANCE SETTINGS".
- 3 Press **[SET]**.
- 4 Select the feature you wish to program. Press **[◀]** or **[▶]** repeatedly to display the desired feature.
 - The current setting of the feature will be displayed.
- 5 Press **[+]** or **[-]** repeatedly to display the desired setting.
 - This step may be slightly different depending on the feature.
- 6 Press **[SET]**.

- The setting you selected is set, and the next feature will be displayed.

- 7 To exit programming, press **[MENU]**.

Note:

- To exit programming, press **[MENU]** at any time.

To program by entering the program code number directly

You can select a feature by directly entering the program code (# and a 2-digit number) instead of using **[◀]** or **[▶]**.

1. Press **[MENU]**.
2. Press **[#]** and the 2-digit code (page 42 to page 44).
3. Press **[+]** or **[-]** repeatedly to display the desired setting.
 - This step may be slightly different depending on the feature.
4. Press **[SET]**.
5. To exit programming, press **[MENU]**.

7.2 Basic features

Code #01: Setting the date and time

```
SET DATE & TIME  
PRESS SET
```

See page 19 for details.

Code #02: Setting your logo

```
YOUR LOGO  
PRESS SET
```

See page 20 for details.

Code #03: Setting your fax number

```
YOUR FAX NO.  
PRESS SET
```

See page 21 for details.

Code #04: Printing a sending report

```
SENDING REPORT  
=ERROR [±]
```

To print a sending report for fax transmission results (page 30).

“**ERROR**” (default): A sending report will be printed only when fax transmission fails.

“**ON**”: A sending report will be printed after every transmission.

“**OFF**”: Sending reports will not be printed.

Code #06: Changing the ring setting in FAX ONLY mode

```
FAX RING COUNT  
RINGS=2 [±]
```

To change the number of rings before the unit answers a call in FAX ONLY mode.

You can select “**2**” (default), “**3**”, “**4**”, “**5**”, “**6**”, “**7**”, “**8**” or “**9**”. If you are using the unit with an answering machine, set to more than 4 (page 35).

Code #12: Enabling remote operation for an answering machine

```
REMOTE TAM ACT.  
=OFF [±]
```

If you are using the unit with an answering machine, activate this feature, and program the remote activation ID. You can access the answering machine remotely by pressing this ID to retrieve recorded voice messages.

1. Press **[MENU]**.
2. Press **[#]** then **[1][2]**.
3. Press **[+]** or **[-]** repeatedly to select “**ON**”.

4. Press **[SET]**.
5. Enter your ID from 1 to 5 digits, using 0–9, **[*]** and **[#]**.
 - The default ID is “**11**”.
6. Press **[SET]**.
7. Press **[MENU]**.

Code #13: Setting the dialling mode (For Australian users only)

```
DIALLING MODE  
=TONE [±]
```

If you cannot dial, change this setting depending on your telephone line service.

“**TONE**” (default): For tone dial service.

“**PULSE**”: For rotary pulse dial service.

Code #17: Setting the ringer pattern

```
RINGER PATTERN  
=A [±]
```

You can select “**A**” (default), “**B**” or “**C**”.

7.3 Advanced features

Code #22: Setting the journal report to print automatically

AUTO JOURNAL =ON [±]

“ON” (default): The unit will print a journal report automatically after every 30 new fax transmissions and receptions (page 30).

“OFF”: The unit will not print a journal report, but will keep a record of the last 30 fax transmissions and receptions.

Code #23: Sending documents overseas

OVERSEAS MODE =ERROR [±]

If you cannot send a fax overseas even if the number is correct and the line is connected, activate this feature before sending the fax. This feature improves the reliability by reducing the transmission speed.

“NEXT FAX”: This setting is effective only for the next attempted fax transmission. After transmission, the unit will return to the previous setting.

“ERROR” (default): When the previous fax transmission fails and you wish to re-send the document.

“OFF”: Deactivates this feature.

Note:

- This feature is not available for broadcast transmission.
- Calling charges may be higher than usual.

Code #25: Sending a fax at a specific time

DELAYED SEND =OFF [±]

This feature allows you to take advantage of low-cost calling hours offered by your telephone company. This feature can be set up to 24 hours in advance of the desired time.

To send a document:

1. Insert the document.
2. If necessary, press **[RESOLUTION]** repeatedly to select the desired resolution (page 29).
3. Press **[MENU]**.
4. Press **[↑]** then **[2][5]**.
5. Press **[+]** or **[-]** repeatedly to select “ON”.
6. Press **[SET]**.
7. Enter the fax number.

8. Press **[SET]**.
9. Enter the transmission start time.
 - Press **[*]** repeatedly to select “AM” or “PM”.
10. Press **[SET]**.
 - To cancel after programming, press **[STOP]** then **[SET]**.

Code #26: Setting the Caller ID list to be printed automatically

AUTO CALL. LIST =ON [±]

“ON” (default): The unit will print the Caller ID list automatically after every 30 new calls (page 26).

“OFF”: The unit will not print the Caller ID list, but will keep records of the information for the last 30 callers.

Code #31: Activating the Distinctive Ring feature

DISTINCTIVE RING =OFF [±]

See page 38 for details.

Code #37: Receiving other size documents

AUTO REDUCTION =ON [±]

To receive a fax document that is longer than your recording paper.

“ON” (default): The unit will fit received documents onto your recording paper.

“OFF”: The unit will print the original size.

Code #39: Changing the display contrast

LCD CONTRAST =NORMAL [±]

“NORMAL” (default): For normal contrast.

“DARKER”: Used when the display contrast is too light.

Code #41: Changing the fax activation code

FAX ACTIVATION =ON [±]

If you wish to use an extension telephone to receive faxes, activate this feature and program the activation code.

1. Press **[MENU]**.
2. Press **[↑]**, then **[4][1]**.
3. Press **[+]** or **[-]** repeatedly to select “ON”.
4. Press **[SET]**.
5. Enter your code from 2 to 4 digits, using 0–9, **[*]** and **[↑]**.

7. Programmable Features

- The default code is “*#9”.
- Do not enter “0000”.

6. Press **[SET]**.

7. Press **[MENU]**.

Code #44: Setting the memory reception alert

RECEIVE ALERT =ON [±]

To alert you with a beeping sound when a received fax document is stored into memory due to some existing problem.

The slow beeps will continue until you clear the printing problem and make sure the unit is supplied with enough paper to print the stored document.

“ON” (default): You will be alerted to a reception problem by a beeping sound.

“OFF”: Deactivates this feature.

Code #46: Setting friendly reception

FRIENDLY RCV =ON [±]

To receive a fax automatically when you answer a call and hear a fax calling tone (slow beep).

“ON” (default): You do not have to press **[FAX START]** for fax reception.

“OFF”: You have to press **[FAX START]** for fax reception.

Code #58: Setting the scan contrast

SCAN CONTRAST =NORMAL [±]

To send or copy a document with faint or dark writing, set this feature before starting transmission or copying.

“NORMAL” (default): Used for normal writing.

“LIGHT”: Used for faint writing.

“DARKER”: Used for dark writing.

Code #68: Setting the Error Correction Mode (ECM)

ECM SELECTION =ON [±]

This feature is available when the transmitting/receiving fax machines are ECM compatible.

“ON” (default): To send a fax even if there is static interference on the telephone line.

“OFF”: Deactivates this feature.

Code #74: Setting the location where you use this unit

LOCATION =AUSTRALIA [±]

This setting must match your location.

“AUSTRALIA” (default): To use in Australia.

“NEWZEALAND”: To use in New Zealand.

Code #76: Setting the connecting tone

CONNECTING TONE =ON [±]

If you often have trouble when sending faxes, this feature allows you to hear connecting tones: fax tone, ring back tone and busy tone. You can use these tones to confirm the status of the other party's machine.

“ON” (default): You will hear connecting tones.

“OFF”: Deactivates this feature.

- If the ring back tone continues, the other party's machine may not be a fax machine or may have run out of paper. Check with the other party.
- The connecting tone volume cannot be adjusted.

Code #79: Setting toner save feature

TONER SAVE =OFF [±]

“ON”: The toner cartridge will last longer.

“OFF” (default): Deactivates this feature.

Note:

- This feature may lower the print quality by reducing toner consumption.

Code #80: Resetting advanced features to their default settings

SET DEFAULT RESET=NO [±]

To reset the advanced features:

1. Press **[MENU]**.
2. Press **[↑]**, then **[8][0]**.
3. Press **[+]** or **[-]** repeatedly to select “YES”.
4. Press **[SET]**.
5. Press **[SET]** again.
6. Press **[MENU]**.

Note:

- The location setting (feature #74 on page 44) will not be reset.

7.4 Direct commands for programming features

You can also select the desired setting by directly entering the program code (# and a 2-digit number) and direct command.

For more details on the features, see page 42 to page 44.

- 1 Press **[MENU]**.
- 2 Press **[#]** and the 2-digit code number.
- 3 Press the desired direct command to display the desired setting.
 - This step may be slightly different depending on the feature.
- 4 Press **[SET]**.
- 5 To exit programming, press **[MENU]**.

7.4.1 Program code and direct command button

[#][0][1] Date and time

- Enter the date and time using the dial keypad. See page 19 for details.

[#][0][2] Your logo

- Enter your logo using the dial keypad. See page 20 for details.

[#][0][3] Your fax number

- Enter your fax number using the dial keypad. See page 21 for details.

[#][0][4] Sending report

- **[1]**: "ON"
- **[2]**: "OFF"
- **[3]**: "ERROR" (default)

[#][0][6] FAX ring count

- **[2]**: "2" (default)
- **[3]**: "3"
- **[4]**: "4"
- **[5]**: "5"
- **[6]**: "6"
- **[7]**: "7"
- **[8]**: "8"
- **[9]**: "9"

[#][1][2] Remote activation ID

- **[1]**: "ON"
- **[2]**: "OFF" (default)
- If you select "ON", then enter your ID from 1 to 5 digits using 0-9, **[*]** and **[#]**.

[#][1][3] Dialling mode (For Australian users only)

- **[1]**: "PULSE"
- **[2]**: "TONE" (default)

[#][1][7] Ringer pattern

- **[1]**: "A" (default)
- **[2]**: "B"
- **[3]**: "C"

[#][2][2] Automatic journal report

- **[1]**: "ON" (default)
- **[2]**: "OFF"

[#][2][3] Overseas mode

- **[1]**: "NEXT FAX"
- **[2]**: "OFF"
- **[3]**: "ERROR" (default)

[#][2][5] Delayed send

- **[1]**: "ON"
- **[2]**: "OFF" (default)
- If you select "ON", next enter the fax number and transmission time using the dial keypad (see feature #25 on page 43 for details).

[#][2][6] Automatic Caller ID list

- **[1]**: "ON" (default)
- **[2]**: "OFF"

[#][3][1] Distinctive ring

- **[1]**: "ON"
- **[2]**: "OFF" (default)

[#][3][7] Auto reduction

- **[1]**: "ON" (default)
- **[2]**: "OFF"

[#][3][9] Display contrast

- **[1]**: "NORMAL" (default)
- **[2]**: "DARKER"

[#][4][1] Fax activation code

- **[1]**: "ON" (default)
- **[2]**: "OFF"
- If you select "ON", next enter your code from 2 to 4 digits using 0-9, **[*]** and **[#]**.

[#][4][4] Memory reception alert

- **[1]**: "ON" (default)
- **[2]**: "OFF"

[#][4][6] Friendly reception

- **[1]**: "ON" (default)
- **[2]**: "OFF"

7. Programmable Features

[*][5][8] Scan contrast

- [1]: "NORMAL" (default)
- [2]: "LIGHT"
- [3]: "DARKER"

[*][6][8] ECM selection

- [1]: "ON" (default)
- [2]: "OFF"

[*][7][4] Location

- [1]: "AUSTRALIA" (default)
- [2]: "NEWZEALAND"

[*][7][6] Connecting tone

- [1]: "ON" (default)
- [2]: "OFF"

[*][7][9] Toner save

- [1]: "ON"
- [2]: "OFF" (default)

[*][8][0] Set default

- [1]: "YES"
- [2]: "NO" (default)
- If you select "YES", press **[SET]** 2 times, then press **[MENU]** to exit.

8.1 Error messages – Reports

If a problem occurs during fax transmission or reception, one of the following messages will be printed on the sending and journal reports (page 30).

COMMUNICATION ERROR

(Code: 40-42, 46-72, FF)

- A transmission or reception error occurred. Try again or check with the other party.

COMMUNICATION ERROR

(Code: 43, 44)

- A line problem occurred. Connect the telephone line cord to a different jack and try again.
- An overseas transmission error occurred. Try using the overseas mode (feature #23, page 43).

DOCUMENT JAMMED

- The document is jammed. Remove the jammed document (page 59).

ERROR-NOT YOUR UNIT

(Code: 54, 59, 70)

- A transmission or reception error occurred because of a problem with the other party's fax machine. Check with the other party.

JUNK FAX PROH. REJECT

- The junk fax prohibitor feature of this unit rejected fax reception.

MEMORY FULL

- The memory is full of received documents due to a lack of recording paper or a recording paper jam. Install paper (page 15) or clear the jammed paper (page 56).

NO DOCUMENT

- The document was not fed into the unit properly. Re-insert it and try again.

OTHER FAX NOT RESPONDING

- The other party's fax machine is busy or has run out of recording paper. Try again.
- The other party's fax machine rings too many times. Send the fax manually (page 29).
- The other party's machine is not a fax machine. Check with the other party.
- The number you dialled is not in service.

PRESSED THE STOP KEY

- **[STOP]** was pressed and fax communication was cancelled.

THE COVER WAS OPENED

- The front cover was opened. Close it and try again.

OK

- Fax transmission or reception was successful.

8.2 Error messages – Display

If the unit detects a problem, one or more of the following messages will appear on the display.

CALL SERVICE

- There is something wrong with the unit. Contact our service personnel.

CHANGE DRUM



CHANGE SUPPLIES

- There is something wrong with the drum unit. Replace the drum unit and the toner cartridge (page 54).

CHECK DOCUMENT

- The document was not fed into the unit properly. Re-insert the document. If misfeeding occurs frequently, clean the document feeder rollers (page 60) and try again.

CHECK DRUM

- The drum unit is not inserted properly. Re-insert it correctly (page 12).

CHECK MEMORY

- The memory (telephone numbers, parameters, etc.) has been erased. Re-program.

COVER OPEN

- The front cover is open. Close it.

8. Help

DIRECTORY FULL

- There is no space to store new items in navigator directory. Erase unnecessary items (page 24).
-

DRUM LIFE OVER REPLACE DRUM



CHANGE SUPPLIES

- The drum life is complete. Replace the drum unit immediately (page 54).
-

FAILED PICK UP

- Recording paper was not fed into the unit properly. Re-insert the recording paper (page 59).
-

FAX IN MEMORY

- The unit has a document in memory. See the other displayed message instructions to print out the document. For fax memory capacity, see page 63.
-

FAX MEMORY FULL

- The memory is full of received documents due to a lack of recording paper or a recording paper jam. Install paper (page 15) or clear the jammed paper (page 56).
 - When performing memory transmission, the document being stored exceeded the memory capacity of the unit. Send the entire document manually.
-

LOW TEMP.

- The inside of the unit is extremely cold and cannot be operated. Use the unit in a warmer area. While the unit cannot be operated, the received documents are temporarily stored into the memory, and will be printed out automatically when the unit warms up.
-

MEMORY FULL

- When making a copy, the document being stored exceeded the memory capacity of the

unit. Press **[STOP]** to clear the message. Divide the document into sections.

MODEM ERROR

- There is something wrong with the unit's modem. Contact our service personnel.
-

NO FAX REPLY

- The other party's fax machine is busy or has run out of recording paper. Try again.
-

OUT OF PAPER

- Recording paper is not installed or the unit has run out of paper. Install paper (page 15).
 - Recording paper is not fed into the unit properly. Reinstall paper (page 15).
-

PAPER JAMMED

- A recording paper jam occurred. Clear the jammed paper (page 56).
-

PLEASE WAIT

- The unit is warming up. Wait for a while.
-

POLLING ERROR

- The other party's fax machine does not offer the polling function. Check with the other party.
-

REDIAL TIME OUT

- The other party's fax machine is busy or has run out of recording paper. Try again.
-

REMOVE DOCUMENT

- The document is jammed. Remove the jammed document (page 59).
 - Attempted to send a document longer than 600 mm. Press **[STOP]** to remove the document. Divide the document into two or more sheets and try again.
-

REPLACE DRUM SOON

- The drum life is near to an end. Replace the drum unit as soon as possible (page 54).
-

TONER EMPTY



CHANGE SUPPLIES

- The toner life is complete. Replace the toner cartridge immediately (page 54).
-

TONER LOW



CHANGE SUPPLIES

- The toner life is near to an end. Replace the toner cartridge as soon as possible (page 54).
-

TRANSMIT ERROR

- A transmission error occurred. Try again.
-

WARM UP

- The inside of the unit is too cold. Let the unit warm up. Wait for a while.
-

WRONG PAPER

- The fax message was printed on paper which is shorter than letter size paper. Use the appropriate size paper (page 64).

8.3 When a function does not work, check here

8.3.1 Initial settings

Problem	Cause & Solution
I cannot hear a dial tone.	<ul style="list-style-type: none"> • The telephone line cord is connected to the [EXT] jack on the unit. Connect to the [LINE] jack (page 17). • If you use a splitter to connect the unit, remove the splitter and connect the unit to the wall jack directly. If the unit operates properly, check the splitter. • Disconnect the unit from the telephone line and connect a known working telephone. If the working telephone operates properly, contact our service personnel to have the unit repaired. If the working telephone does not operate properly, contact your telephone company. • The power cord or telephone line cord is not connected. Check the connections. • If you connected the fax machine through a computer modem, connect the fax machine directly to a telephone line jack.
I cannot make calls.	<ul style="list-style-type: none"> • The dialling mode setting may be wrong. Change the setting (feature #13 on page 42).
The unit does not ring.	<ul style="list-style-type: none"> • The ringer volume is turned OFF. Adjust it (page 18).

8.3.2 General

Problem	Cause & Solution
The other party complains they only hear a fax tone and cannot talk.	<ul style="list-style-type: none"> • FAX ONLY mode is set. Tell the other party the number is only used for faxes. • Change to TEL mode by pressing [AUTO ANSWER]. • If you use a Distinctive Ring service, make sure you have set the same ring pattern assigned by the telephone company (page 38).
The [REDIAL/PAUSE] button does not function properly.	<ul style="list-style-type: none"> • If this button is pressed during dialling, a pause will be inserted. If pressed immediately after a dial tone is obtained, the last number dialled will be redialled.
The receiving mode does not function properly.	<ul style="list-style-type: none"> • The Distinctive Ring is set (feature #31 on page 38).
During programming, I cannot enter the code or ID number.	<ul style="list-style-type: none"> • All or part of the number is the same. Change the number: feature #12 (page 42) and #41 (page 43).
The unit beeps.	<ul style="list-style-type: none"> • Recording paper has run out. Press [STOP] to stop the beeps and install paper.
Whenever I try to retrieve my voice mail messages, I am interrupted by the fax tone.	<ul style="list-style-type: none"> • You are probably entering [*] [#] [9]. This is the default setting for the fax activation code. If you use a voice mail service, turn the fax activation feature OFF or reprogram the activation code (feature #41 on page 43).

8.3.3 Fax – sending

Problem	Cause & Solution
I cannot send documents.	<ul style="list-style-type: none"> • The telephone line cord is connected to the [EXT] jack on the unit. Connect to the [LINE] jack (page 17). • The other party's fax machine is busy or has run out of recording paper. Try again. • The other party's machine is not a fax machine. Check with the other party. • The other party's fax machine failed to answer the fax automatically. Send the fax manually (page 29).
I cannot send a fax overseas.	<ul style="list-style-type: none"> • Use the overseas transmission mode (feature #23 on page 43). • Add two pauses at the end of the telephone number or dial manually.
The other party complains that letters on their received document are distorted or not clear.	<ul style="list-style-type: none"> • If your line has special telephone services such as call waiting, the service may have been activated during fax transmission. Connect the unit to a line that does not have these services. • Another telephone on the same line is off the hook. Hang up the extension telephone and try again. • Try copying the document. If the copied image is clear, there may be something wrong with the other party's machine.
The other party complains that black lines, white lines or smudges appear on their received document.	<ul style="list-style-type: none"> • The glass or rollers are dirty with correction fluid, etc. Clean them (page 60). Please do not insert a document before correction fluid has dried completely.

8.3.4 Fax – receiving



Problem	Cause & Solution
I cannot receive documents.	<ul style="list-style-type: none"> • When you have a single telephone line and subscribe to a voice mail service, you must also subscribe to a Distinctive Ring service (page 38). • The telephone line cord is connected to the [EXT] jack on the unit. Connect to the [LINE] jack (page 17).
I cannot receive documents automatically.	<ul style="list-style-type: none"> • The receiving mode is set to TEL mode. Set to FAX ONLY mode by pressing [AUTO ANSWER]. • The time taken to answer the call is too long. Decrease the number of rings before the unit answers a call (feature #06 on page 42).
The display shows "CONNECTING", but faxes are not received.	<ul style="list-style-type: none"> • The incoming call is not a fax. Change the receiving mode to TEL mode by pressing [AUTO ANSWER].
A blank sheet is ejected.	<ul style="list-style-type: none"> • The other party placed the document in their fax machine the wrong way. Check with the other party.

8. Help

Problem	Cause & Solution
The printing quality is poor.	<ul style="list-style-type: none">● If documents can be copied properly, the unit is working normally. The other party may have sent a faint document or there may be something wrong with the other party's machine. Ask them to send a clearer copy of the document or to check their fax machine.● Some paper has instructions recommending which side to print on. Try turning the paper over.● You may have used paper with a cotton and/or fibre content that is over 20%, such as letterhead or resume paper.● The remaining toner is low. Replace the toner cartridge (page 54).● We recommend you replace the drum unit every fourth time you replace the toner cartridge (page 54). To check the drum life and quality, please print the printer test list (page 62).● The toner save mode is ON (feature #79 on page 44).
The other party complains that they cannot send a document.	<ul style="list-style-type: none">● The memory is full of received documents due to a lack of recording paper or a recording paper jam. Install paper (page 15) or clear the jammed paper (page 56).● The unit is not in FAX ONLY mode. Press [AUTO ANSWER] repeatedly to turn ON the [AUTO ANSWER] light.
I cannot select the desired receiving mode.	<ul style="list-style-type: none">● If you want to set FAX ONLY mode:<ul style="list-style-type: none">– press [AUTO ANSWER] repeatedly to turn ON the [AUTO ANSWER] light.● If you want to set TEL mode:<ul style="list-style-type: none">– press [AUTO ANSWER] repeatedly to turn OFF the [AUTO ANSWER] light.● The Distinctive Ring of feature #31 is activated (page 38).

8.3.5 Copying

Problem	Cause & Solution
The unit will not make a copy.	<ul style="list-style-type: none">● You cannot make a copy during programming. Make the copy after programming.● The document was not fed into the unit properly. Re-insert the document.● Recording paper is not installed or the unit has run out of paper. Install paper (page 15).
A black line, a white line or smudge appears on the copied document.	<ul style="list-style-type: none">● The glass or rollers are dirty with correction fluid, etc. Clean them (page 60). Please do not insert a document before correction fluid has dried completely.

Problem	Cause & Solution	
The printing quality is poor.	Original	Copy
		
	<ul style="list-style-type: none"> • Some paper has instructions recommending which side to print on. Try turning the paper over. • You may have used paper with a cotton and/or fibre content that is over 20%, such as letterhead or resume paper. • The remaining toner is low. Replace the toner cartridge (page 54). • We recommend you replace the drum unit every fourth time you replace the toner cartridge (page 54). To check the drum life and quality, please print the printer test list (page 62). • The toner save mode of feature #79 is ON (page 44). 	

8.3.6 Using an answering machine

Problem	Cause & Solution
I cannot receive documents automatically.	<ul style="list-style-type: none"> • Your greeting message on the answering machine is too long. Shorten the message. Record a message up to 10 seconds long. • The answering machine rings too many times. Set to 1 or 2 rings.
I cannot receive voice messages.	<ul style="list-style-type: none"> • Check if the answering machine is turned ON and connected to the fax machine properly (page 35). • Set the number of rings on the answering machine to 1 or 2.
I cannot retrieve recorded voice messages on the answering machine from a remote location.	<ul style="list-style-type: none"> • You did not program your remote access code into your fax machine correctly. Program the same code that is programmed on the answering machine on the fax machine with feature #12 (page 42).
I pressed the remote access code to access the answering machine remotely, but the line was disconnected.	<ul style="list-style-type: none"> • The code may include “#” which is used for certain features provided by telephone companies. Change the code on the answering machine to another number which does not include “#”. Also change the code of the fax machine with feature #12 (page 42).
Callers complain that they cannot send a document.	<ul style="list-style-type: none"> • Your answering machine has run out of recording tape. Rewind the tape to record messages. • You set the answering machine to only give a greeting message.

8.3.7 If a power failure occurs

- The unit will not function.
- The unit is not designed for making emergency telephone calls when the power fails. Alternative arrangements should be made for access to emergency services.
- Fax transmission and reception will be interrupted.
- If any fax documents are stored in the memory, they will be lost. When power is restored, a power down report will be printed stating which documents in memory have been erased.

Note for Australian users:

- Panasonic Australia operates a toll free Customer Care Centre. Please visit the website for assistance at <<http://www.panasonic.com.au>> or please call 132600.

Note for New Zealand users:

- Panasonic New Zealand operates a Customer Support Centre. Please call (09) 2720178 for assistance.

8.4 Replacing the toner cartridge and the drum unit

When the display shows the following, replace the toner cartridge.

TONER LOW

TONER EMPTY

We recommend you replace the drum unit every fourth time you replace the toner cartridge. To check the drum life and quality, please print the printer test list (page 62). To ensure that the unit operates properly, we recommend the use of **Panasonic toner cartridge (Model No. KX-FA83E) and drum unit (Model No. KX-FA84E)**. See page 10 for accessory information.

To maintain print quality and machine life, we recommend you to clean slots and openings (page 6) and the inside of the unit (page 60) when replacing the toner cartridge and/or drum unit.

Caution:

- We cannot be responsible for any damage to the unit or degradation of print quality which may occur from the use of a non-Panasonic toner cartridge and drum unit.
- The drum unit contains a photosensitive drum. Exposing it to light may damage the drum.

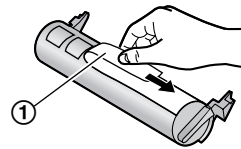
Once you have opened the protection bag:

- Do not expose the drum unit to light for more than 5 minutes.
- Do not touch or scratch the green drum surface.
- Do not place the drum unit near dust or dirt, or in a high humidity area.
- Do not expose the drum unit to direct sunlight.
- Do not unplug the fax machine. Loss of fax documents in memory may occur.
- Do not leave the toner cartridge out of the protection bag for a long time. It will decrease the toner life.
- Do not add toner to the toner cartridge.

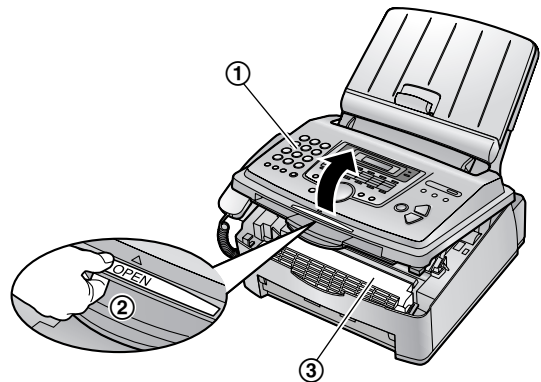
- 1 Before opening the protection bag of the new toner cartridge, shake it vertically more than 5 times.



- 2 Remove the new toner cartridge from the protection bag. Peel off the seal (1) from the toner cartridge.



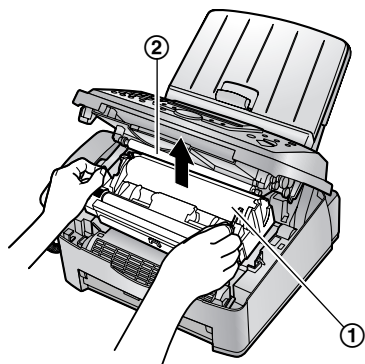
- 3 Lift open the front cover (1), holding OPEN (2).



Caution:
The fuser unit (3) gets hot. Do not touch it.

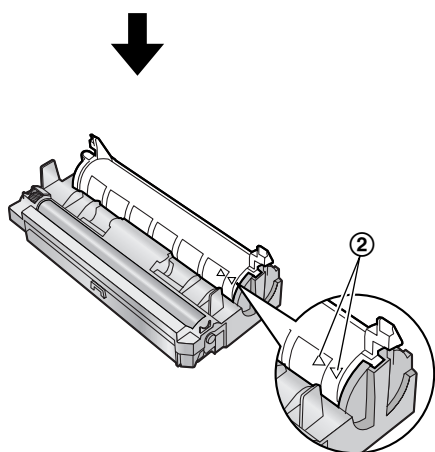
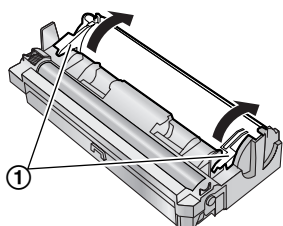
- 4 Tap on the used toner cartridge several times to allow the remaining toner to fall into the

drum unit. Remove the drum and toner unit (①) by holding the two tabs.

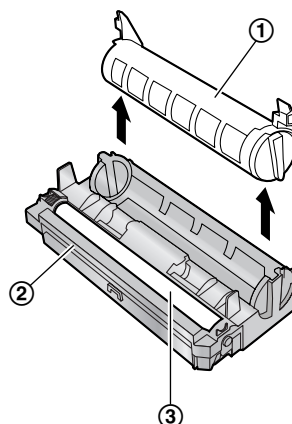


- Do not touch the transfer roller (②).
- If you replace the toner cartridge and the drum unit at the same time, skip to step 7.

5 Turn the two levers (①) on the used toner cartridge firmly, until the triangles (②) match.



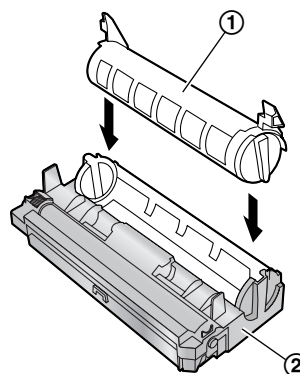
6 Remove the used cartridge (①) from the drum unit (②).



- The toner may stick to the cartridge and the drum unit. Be careful when handling. See page 6 for details.
- Do not drop the toner on the green drum surface (③).
- Put the used toner cartridge into the protection bag.

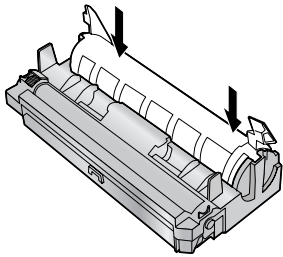
7 If you replace the drum unit at the same time, remove the new drum unit from the protection bag.

Place the new toner cartridge (①) into the drum unit (②) vertically.

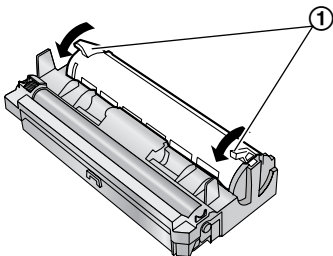


8. Help

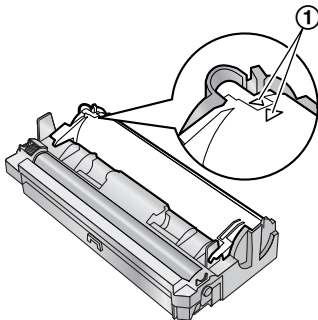
- 8 Firmly press down the toner cartridge to snap into position.



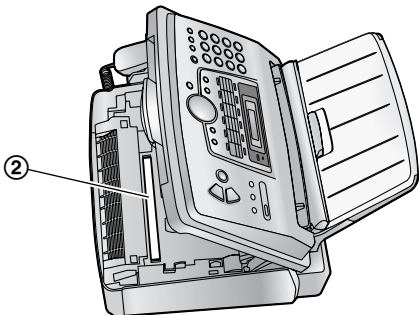
- 9 Turn the two levers (1) on the toner cartridge firmly.



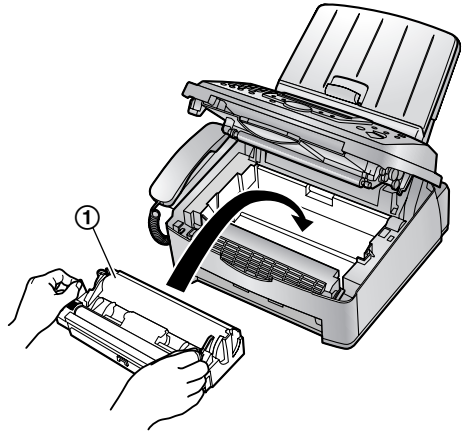
- 10 Make sure that the triangles (1) match, to install the toner cartridge correctly.



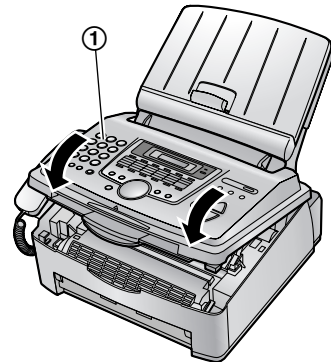
- If the lower glass (2) is dirty, clean it with a soft and dry cloth.



- 11 Install the drum and toner unit (1) by holding the tabs.



- 12 Close the front cover (1) by pushing down on both sides, until locked.



- While the unit displays “PLEASE WAIT”, do not open the front cover, or disconnect the power cord.

Waste disposal method

Waste material should be disposed of under conditions which meet all national and local environmental regulations.

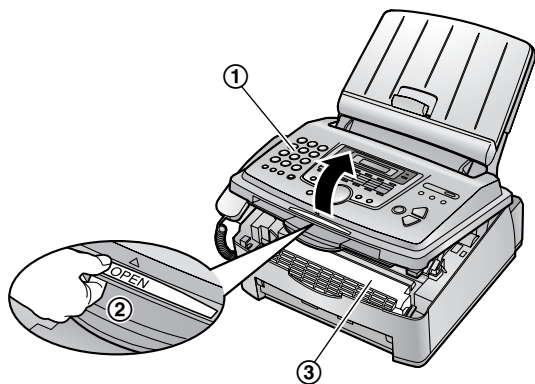
8.5 Recording paper jam

8.5.1 When the recording paper has jammed in the unit

The display will show the following.

PAPER JAMMED

- 1 Lift open the front cover (①), holding OPEN (②).

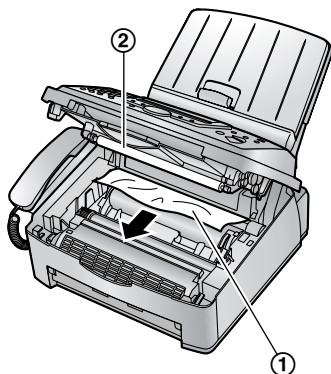


Caution:
The fuser unit (③) gets hot. Do not touch it.

- 2 Remove the jammed paper.

When the recording paper has jammed near the drum and toner unit:

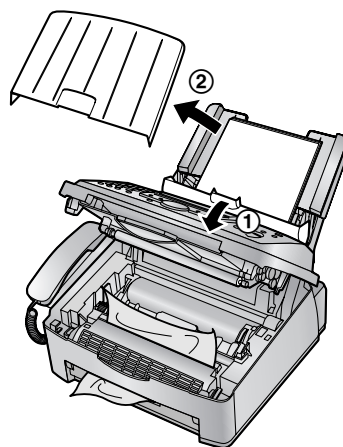
Remove the jammed paper (①) carefully by pulling it toward you.



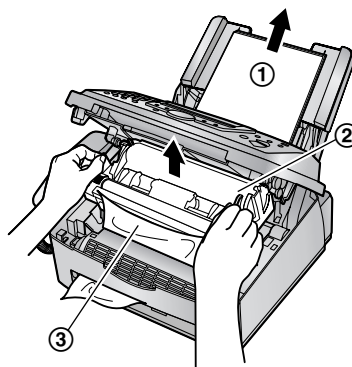
- Do not touch the transfer roller (②).

When the recording paper has jammed near the recording paper exit:

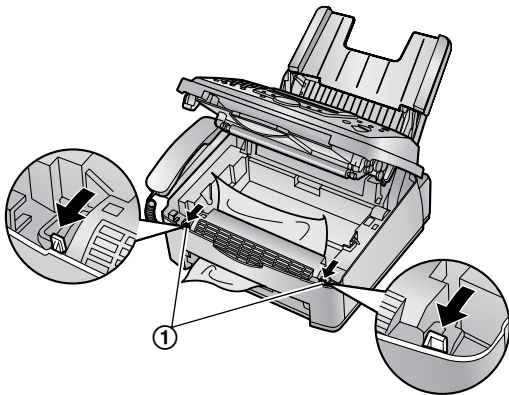
1. Pull the tension plate forward (①), then remove the paper tray cover (②).



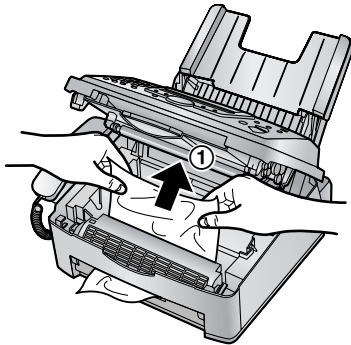
2. Remove the recording paper (①), then remove the drum and toner unit (②) to allow the jammed paper (③) to pull free from the rear cabinet.



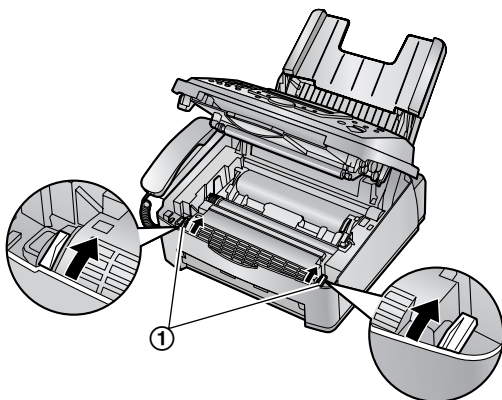
3. Lift both green levers (1) forward until they stop.



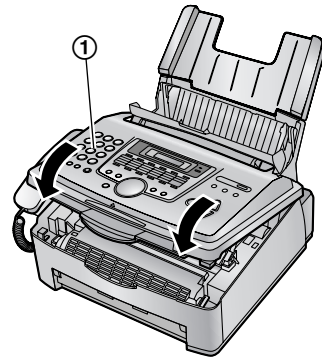
4. Remove the jammed paper (1) from the fuser unit by pulling it upwards carefully, then install the drum and toner unit.



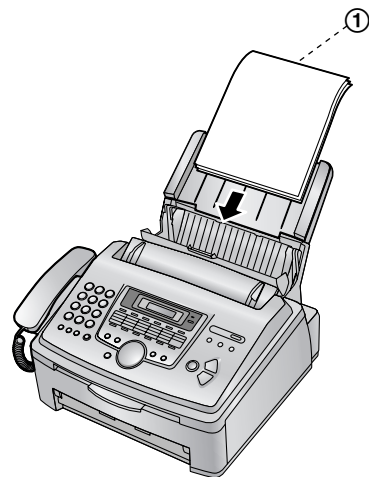
5. Push back the levers (1) to the original position.



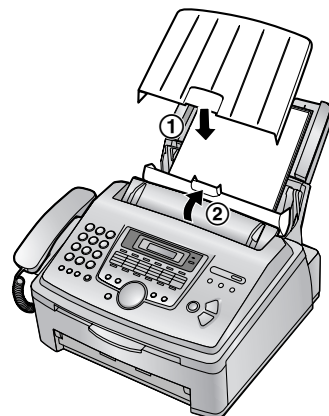
- 3 Close the front cover (1) by pushing down on both sides, until locked.



- 4 Re-insert the recording paper (1).
• Before re-inserting, make sure to fan and straighten the recording paper.



- 5 Attach the paper tray cover (1), then push back the tension plate (2).

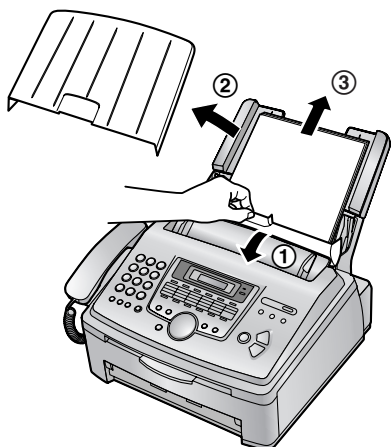


8.5.2 When the recording paper is not fed into the unit properly

The display will show the following.

FAILED PICK UP

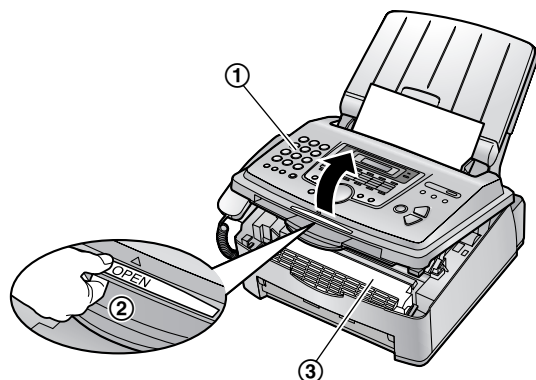
- 1 Pull the tension plate forward (①), then remove the paper tray cover (②). Remove the recording paper (③).



- 2 Re-insert the recording paper. Attach the paper tray cover, then push back the tension plate (see steps 5 to 6 on page 16).
 - Before re-inserting, make sure to fan and straighten the recording paper.

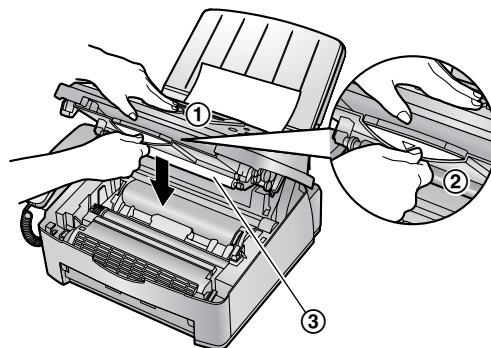
8.6 Document jams - sending

- 1 Lift open the front cover (①), holding OPEN (②).



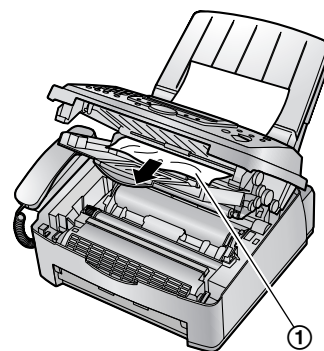
Caution:
The fuser unit (③) gets hot. Do not touch it.

- 2 Hold the centre part of the front cover (①), and pull open the inner cover (②).

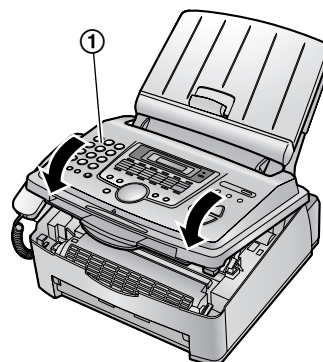


- Do not touch the transfer roller (③).

- 3 Remove the jammed document carefully (①).



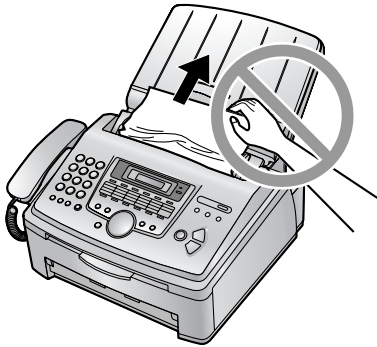
- 4 Push back the inner cover.
- 5 Close the front cover (①) by pushing down on both sides, until locked.



8. Help

Note:

- Do not pull out the jammed document forcibly before opening the front cover.



8.7 Cleaning the inside of the unit

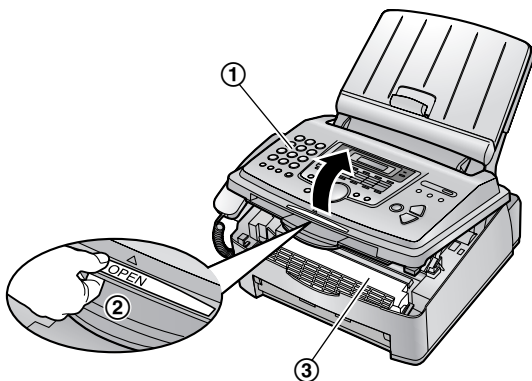
Clean the inside of the unit when:

- Document frequently misfeed.
- Black line, a white line or a dirty pattern appear on the original document when sending or copying.

Caution:

- Be careful when handling the drum and toner unit. See the caution for the drum unit on page 54 for details.
- Do not use paper products, such as paper towels or tissues, to clean the inside of the unit.

- 1 Disconnect the power cord and the telephone line cord.
- 2 Lift open the front cover (①), holding OPEN (②).

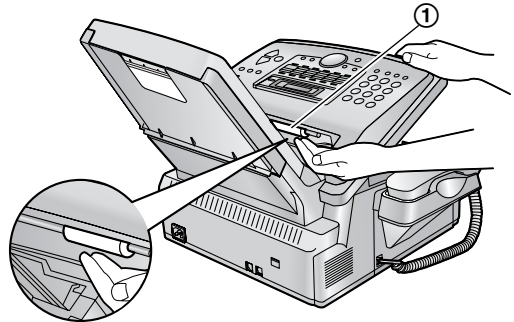


Caution:

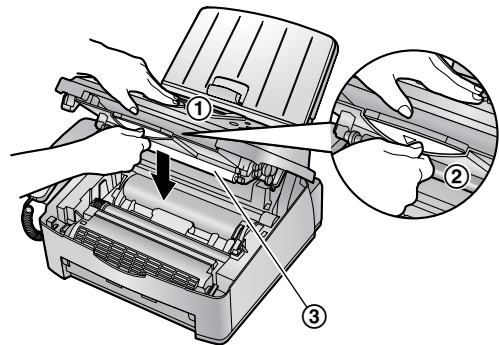


The fuser unit (③) gets hot. Do not touch it.

- 3 Clean the document separation roller (①) with a cloth moistened with isopropyl rubbing alcohol, and let all parts dry thoroughly.

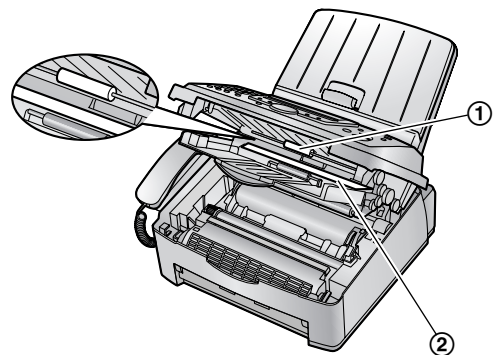


- 4 Hold the centre part of the front cover (①), and pull open the inner cover (②).



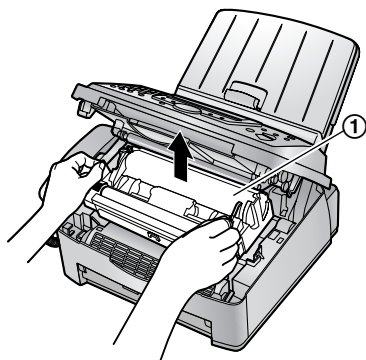
- Do not touch the transfer roller (③).

- 5 Clean the document feeder roller (①) with a cloth moistened with isopropyl rubbing alcohol, and let all parts dry thoroughly. Clean the upper glass (②) with a soft and dry cloth.

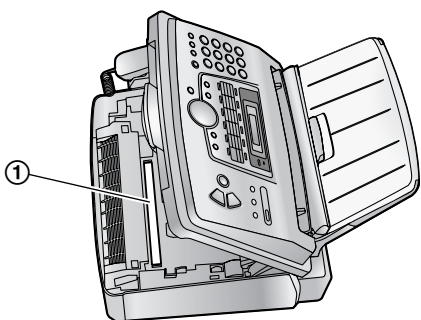


- 6 Push back the inner cover.

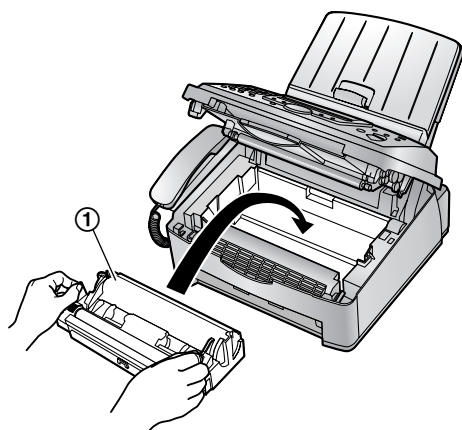
- 7 Remove the drum and toner unit (1) by holding the two tabs.



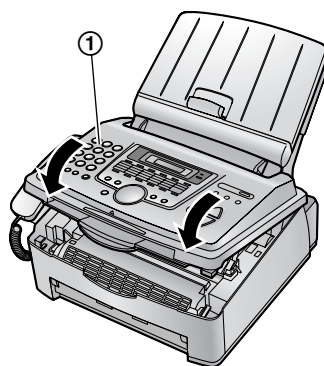
- 8 Clean the lower glass (1) with a soft and dry cloth.



- 9 Reinstall the drum and toner unit (1) by holding the tabs.



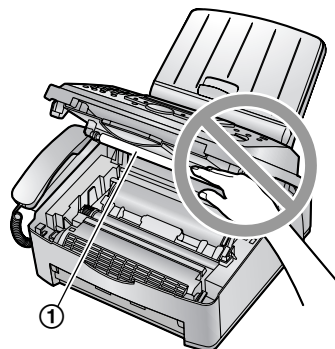
- 10 Close the front cover (1) by pushing down on both sides, until locked.



- 11 Reconnect the power cord and the telephone line cord.

Note:

- Do not touch the transfer roller (1).



9.1 Reference lists and reports

You can print out the following lists and reports for your reference.

Setup list:

provides you with the current settings of the basic and advanced programming features (page 42 to page 44).

Telephone number list:

provides you with names and numbers which are stored in the one-touch dial feature and navigator directory.

Journal report:

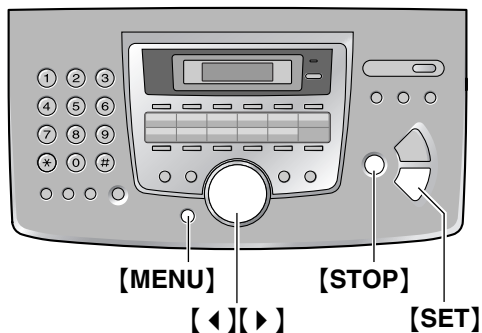
keeps records of fax transmission and reception. This report can be printed automatically after every 30 fax communications (feature #22 on page 43).

Broadcast programming list:

provides you with names and numbers which are stored in the broadcast memory (page 31).

Printer test:

allows you to check the print quality of your unit. If the test print has a dirty pattern, or blurred points or lines, clean the inside of the unit (page 60). If printing quality is still poor, replace the toner cartridge and drum unit.



- 1 Press **[MENU]** repeatedly to display “**PRINT REPORT**”.
- 2 Press **[< | >]** repeatedly to display the desired item.
- 3 Press **[SET]** to start printing.
 - To stop printing, press **[STOP]**.
- 4 Press **[MENU]**.

9.2 Specifications

Applicable lines:

Public Switched Telephone Network

Document size:

Max. 216 mm in width, Max. 600 mm in length

Effective scanning width:

208 mm

Effective printing width:

A4: 202 mm

Transmission time^{*1}:

Approx. 8 s/page (ECM-MMR)^{*2}

Scanning density:

Horizontal: 8 pels/mm

Vertical: 3.85 lines/mm – in standard resolution,
7.7 lines/mm – in fine/photo/photo with text
resolution,

15.4 lines/mm – in super fine resolution

Photo resolution:

64-level

Scanner type:

Contact Image Sensor

Printer type:

Laser Printer

Data compression system:

Modified Huffman (MH), Modified READ (MR),
Modified Modified READ (MMR)

Modem speed:

14,400 / 12,000 / 9,600 / 7,200 / 4,800 / 2,400
bps; Automatic Fallback

Operating environment:

10 °C – 32.5 °C, 20 % – 80 % RH (Relative
Humidity)

Dimensions:

Approx. height 370 mm × width 430 mm × depth
480 mm

Mass (Weight):

Approx. 9.2 kg

Power consumption:

Standby: Approx. 4 W

Transmission: Approx. 12 W

Reception: Approx. 290 W

Copy: Approx. 290 W

Maximum: Approx. 950 W (When the fuser lamp
turns on)

Power supply:

220 – 240 V AC, 50/60 Hz

Fax memory capacity:

Approx. 120 pages of memory transmission

Approx. 170 pages of memory reception

(Based on the ITU-T No. 1 Test Chart in standard
resolution.)

Laser diode properties:

Laser output: Max. 5 mW

Wave length: 760 nm – 800 nm

Emission duration: Continuous

Print speed:

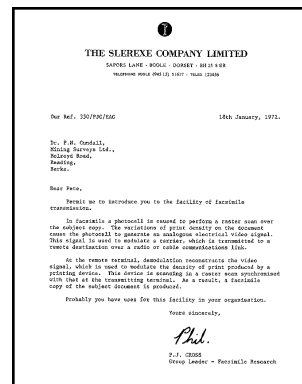
Approx. 14 ppm (pages per minute)

Printing resolution:

600 × 600 dpi

- *1 Transmission speed depends upon the contents of the pages, resolution, telephone line conditions and capability of the other party's machine.
- *2 Transmission speed is based upon the ITU-T No. 1 Test Chart. If the capability of the other party's machine is inferior to your unit, the transmission time may be longer.

ITU-T No.1 Test Chart



9. General Information

Recording paper specifications

Recording paper size:

A4: 210 mm × 297 mm

Recording paper weight:

60 g/m² to 90 g/m²

Note for recording paper:

- Do not use the following types of paper:
 - Paper with a cotton and/or fibre content that is over 20 %, such as letterhead paper or paper used for resumes
 - Extremely smooth or shiny paper, or paper that is highly textured
 - Coated, damaged or wrinkled paper
 - Paper with foreign objects attached, such as tabs or staples
 - Paper which has dust, lint or oil stains
 - Paper that will melt, vaporize, discolour, scorch or emit dangerous fumes near 200 °C, such as vellum paper. These materials may transfer onto the fusing roller and cause damage.
 - Moist paper
 - Inkjet paper
- Some paper only accepts print on one side. Try using the other side of the paper if you are not happy with the print quality or if misfeeding occurs.
- For proper paper feeding and best print quality, we recommend using long-grained paper.
- Do not use paper of different types or thickness at the same time. This may cause a paper jam.
- Avoid double-sided printing.
- Do not use paper printed from this unit for double-sided printing with other copiers or printers. This may cause a paper jam.
- To avoid curling, do not open paper packs until you are ready to use the paper. Store unused paper in the original packaging, in a cool and dry location.

Toner life

Toner life depends on the amount of content in a received, copied or printed document. The following is the approximate relationship between image area and toner life for replacement toner cartridge (Model No. KX-FA83E). Toner life varies in actual usage.

5 % image area

Specifications	
Main unit specifications	
1. Applicable Lines:	Public switched telephone network
2. Compatibility:	ITU-TS G3
3. Effective Scanning Width:	Max. 208mm
4. Recording Paper Size:	Letter: 216 279mm Legal: 216 356mm
5. Effective Printing Width:	208mm
6. Transmission Time:	Approx. 20sec/page (G3 Normal mode, M1) Approx. 17sec/page (G3 Original mode, M1) Approx. 13sec/page (G3 Original mode, M2)
7. Fax Babel Times:	Up to 95lines
8. Telephone Babel Times:	Up to 155lines
9. Scanning Density:	Horizontal: 8dots/inch Vertical: 3.85lines/mm (Standard mode) 7.7lines/mm (Fine or Hi-Fine mode)
10. Scanner Type:	Contact Image Sensor

Approx. 2,500 sheets of A4 size paper can be printed.

10 % image area

Specifications	
Main unit specifications	
1. Applicable Lines:	Public switched telephone network
2. Compatibility:	ITU-TS G3
3. Effective Scanning Width:	Max. 208mm
4. Recording Paper Size:	Letter: 216 279mm Legal: 216 356mm
5. Effective Printing Width:	208mm
6. Transmission Time:	Approx. 30sec/page (G3 Normal mode, M1) Approx. 17sec/page (G3 Original mode, M1) Approx. 13sec/page (G3 Original mode, M2)
7. Fax Babel Times:	Up to 95lines
8. Telephone Babel Times:	Up to 155lines
9. Scanning Density:	Horizontal: 8dots/inch Vertical: 3.85lines/mm (Standard mode) 7.7lines/mm (Fine or Hi-Fine mode)
10. Scanner Type:	Contact Image Sensor
11. Printer Type:	Electrophotographic LED array printer
12. Data Compression System:	Modified Huffman (MH), Modified READ (MR)
13. Modem Speed:	9600/7200/4800/2400bps Automatic Fall Back
14. Operating Environment:	10-32.5 °C 20-80%RH
15. Dimensions (H x W x D):	371 148 89mm
16. Mass (Weight):	Approx. 12kg
17. Power Consumption:	Standby: 12-480W Transmission: 12-480W Reception: 12-480W Sleep: 65W
*Transmission Time:	Transmission time apply to text data using ITU-TS No. 1 test chart between the same models at maximum speed and may vary in actual usage.

Approx. 1,200 sheets of A4 size paper can be printed.

15 % image area

Specifications	
Main unit specifications	
1. Applicable Lines:	Public switched telephone network
2. Compatibility:	ITU-TS G3
3. Effective Scanning Width:	Max. 208mm
4. Recording Paper Size:	Letter: 216 279mm Legal: 216 356mm
5. Effective Printing Width:	208mm
6. Transmission Time:	Approx. 30sec/page (G3 Normal mode, M1) Approx. 17sec/page (G3 Original mode, M1) Approx. 13sec/page (G3 Original mode, M2)
7. Fax Babel Times:	Up to 95lines
8. Telephone Babel Times:	Up to 155lines
9. Scanning Density:	Horizontal: 8dots/inch Vertical: 3.85lines/mm (Standard mode) 7.7lines/mm (Fine or Hi-Fine mode)
10. Scanner Type:	Contact Image Sensor
11. Printer Type:	Electrophotographic LED array printer
12. Data Compression System:	Modified Huffman (MH), Modified READ (MR)
13. Modem Speed:	9600/7200/4800/2400bps Automatic Fall Back
14. Operating Environment:	10-32.5 °C 20-80%RH
15. Dimensions (H x W x D):	371 148 89mm
16. Mass (Weight):	Approx. 12kg
17. Power Consumption:	Standby: 12-480W Transmission: 12-480W Reception: 12-480W Sleep: 65W
*Transmission Time:	Transmission time apply to text data using ITU-TS No. 1 test chart between the same models at maximum speed and may vary in actual usage.
Paper specifications	
1. Sheet Weight:	16-24 lbs
2. Thickness:	21.7-25.4 mils
3. Maximum Content:	4%K
4. Grain Direction:	ISO-D5099off field
5. Acid Content:	≤ 0.01 % max
6. Fusing Compatibility:	Must not scorch, melt, or flake, natural, or in loose condition, no paper when heated to 300 °C for 0.1 second
7. Quoting Dimensions:	1 inch grid
8. Curl:	Cur. with sharp blades, no paper dust
9. Cut Edge Conditions:	Not allowed curl toward side to be recorded (inset)
10. Roll Content:	Not allowed curl toward side to be recorded (inset)
11. Curl:	Not allowed curl toward side to be recorded (inset)
12. Packing:	Polyethylene moisture proof wrap sheet
NOTE: *The specifications are subject to change without notice.	

Approx. 800 sheets of A4 size paper can be printed.

Note:

- The image area changes with the depth, thickness and size of the characters.
- If you turn on the toner save feature, the toner cartridge will last approx. 40% longer.

Drum life

The included drum unit or Model No. KX-FA84E can print approx. 10,000 A4-sized sheets at 20 sheets per print job, and approx. 5,000 A4-sized sheets at 1 sheet per print job regardless of the content of the image area. The actual drum life is determined by various factors, such as temperature, humidity and type of paper, etc.

Note:

- Design and specifications are subject to change without notice.
- The pictures and illustrations in these instructions may vary slightly from the actual product.

10.1 Index

- # #01 Date and time: 19
- #02 Your logo: 20
- #03 Your fax number: 21
- #04 Sending report: 30, 42
- #06 FAX ring count: 42
- #12 Remote activation ID: 42
- #13 Dialling mode (for Australian users only): 42
- #17 Ringer pattern: 18
- #22 Automatic journal report: 30, 43
- #23 Overseas mode: 43
- #25 Delayed send: 43
- #26 Automatic Caller ID list: 43
- #31 Distinctive Ring: 38
- #37 Auto reduction: 43
- #39 Display contrast: 43
- #41 Fax activation code: 43
- #44 Memory reception alert: 44
- #46 Friendly reception: 44
- #58 Scan contrast: 44
- #68 ECM selection: 44
- #74 Location: 44
- #76 Connecting tone: 44
- #79 Toner save: 44
- #80 Set default: 44
- A** Accessories
 - Paper stacker: 14
 - Paper tray: 13
 - Paper tray cover: 13Advanced features: 43
- Alert
 - Memory reception (Feature #44): 44Auto reduction (Feature #37): 43
- B** Basic features: 42
- Broadcast transmission: 31
- C** Caller ID
 - Calling back: 26
 - Storing: 27Caller ID list (Feature #26): 26, 43
- Character table: 20
- Cleaning: 60
- Connecting tone (Feature #76): 44
- Connections: 17
- Copy: 39
 - Collation: 40
 - Enlarge: 39
 - Reduce: 39
- D** Date and time (Feature #01): 19
- Delayed transmission (Feature #25): 43
- Dialling mode (Feature #13): 42
- Direct command: 45
- Display
 - Contrast (Feature #39): 43
 - Error messages: 47
- Distinctive Ring service (Feature #31): 38
- Document size: 30
- Drum life: 65
- Drum unit: 12, 54
- E** ECM selection (Feature #68): 44
- Error messages: 47
- Extension telephone: 34
- F** FaxAbility: 38, 43
- Fax activation code (Feature #41): 43
- Fax number (Feature #03): 21
- Fax Stream Duet: 38, 43
- Friendly reception (Feature #46): 44
- H** Help: 18
- J** Jams
 - Document: 59
 - Recording paper: 56Journal report (Feature #22): 30, 43
- Junk fax prohibitor: 36
- L** Location setting (Feature #74): 44
- Logo (Feature #02): 20
- M** Memory reception alert (Feature #44): 44
- N** Navigator directory
 - Making a phone call: 24
 - Sending faxes: 31
 - Storing: 23
- O** One-touch dial
 - Making a phone call: 24
 - Sending faxes: 31
 - Storing: 23Overseas mode (Feature #23): 43
- P** Polling: 36
- Power failure: 53
- Programming: 41
- Q** Quick scan: 29
- R** Receiving faxes
 - Automatically: 35
 - Manually: 34Recording paper: 15
- Recording paper size: 64
- Redialling: 29, 31

Remote activation ID (Feature #12): 42

Reports

Broadcast programming: 62

Broadcast sending: 32

Caller ID: 26, 43

Journal: 30, 62

Power down: 53

Printer test: 62

Sending: 30, 42

Setup: 62

Telephone number: 62

Reset (Feature #80): 44

Resolution: 29, 39

Ringer pattern (Feature #17): 18, 42

Ring setting

FAX ONLY (Feature #06): 42

S Scan contrast (Feature #58): 44

Sending faxes

Broadcast: 32

From memory: 29

Manually: 29

Navigator directory: 31

One-touch dial: 31

Sending report (Feature #04): 30, 42

Set default (Feature #80): 44

Storing

Broadcast: 31

Navigator directory: 23

One-touch dial: 23

T Toner cartridge

Installing: 12

Replacing: 54

Toner life: 64

Toner save (Feature #79): 13, 44

V Volume: 18

N52

Sales Department:

Panasonic Australia Pty. Limited

Austlink Corporate Park, 1 Garigal Road, Belrose, NSW 2085, Australia

Panasonic New Zealand Limited

350 Te Irirangi Drive, East Tamaki, Private Bag 14911, Panmure, Auckland, New Zealand

Manufacturer:

Panasonic Communications (Malaysia) Sdn. Bhd.

PL0 No.1, Kawasan Perindustrian Senai, KB No. 104, 81400 Senai, Negeri Johor Darul Ta'zim, Malaysia

Global web site:

<http://www.panasonic.co.jp/global/>

Free Manuals Download Website

<http://myh66.com>

<http://usermanuals.us>

<http://www.somanuals.com>

<http://www.4manuals.cc>

<http://www.manual-lib.com>

<http://www.404manual.com>

<http://www.luxmanual.com>

<http://aubethermostatmanual.com>

Golf course search by state

<http://golfingnear.com>

Email search by domain

<http://emailbydomain.com>

Auto manuals search

<http://auto.somanuals.com>

TV manuals search

<http://tv.somanuals.com>