

Ceiling mount bracket

Description

This ceiling mount bracket is to be used when mounting LCD projectors to the heigh ceiling.

Specifications	Vertical correction angle:	+20°, -5°
	Horizontal slant correction angle:	±10°
	Horizontal turn correction angle:	±5°
	Dimensions (W x H x D):	435 x 424-507 x 254 mm (17-1/8" x 16-11/16"-19-31/32" x 10")
		Note: Height (H) include holding brackets.
	Weight:	2.7 kg (6.0 lbs)

Weights and dimensions shown are approximate. Specifications subject to change without notice.

Parts	Attachment plate1	Holding bracket B1	
	Projector mount bracket1	Washer-fitted hexagonal bolts (M6 x 12)15	
	Adjuster pole A1	Hexagonal screws (M6 x 8)4	
	Adjuster pole B1	Washer-fitted screws (M4 x 12)8	
	Angle adjuster A1	Wire rope1	
	Angle adjuster B1	Flat wire clip2	
	Holding bracket A1	Clamp tube2	

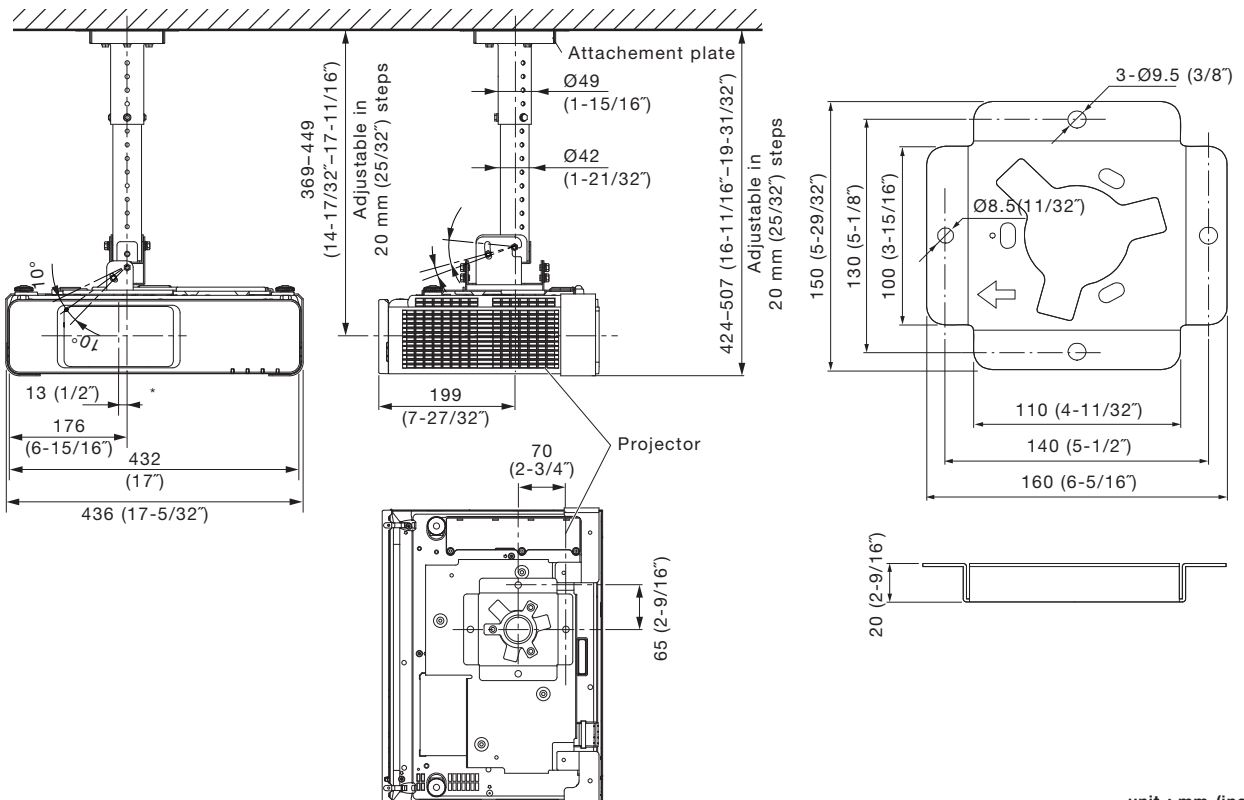
Caution:

- Mounting should be done by a qualified technician.
- Make sure that the mounting (ceiling) area has sufficient strength.
- Read the enclosed mounting instructions thoroughly before starting.
- When the product is no longer going to be used, have it disposed of quickly by a professional disposal service.
- Do not use an electric screwdriver or impact driver to tighten screws. (Use a torque driver or similar tool.)

Dimensions

Illustration shows the bracket attached to the PT-F300NT/F300/FW300NT/FW300.

Attachment plate



unit : mm (inch)
NOTE: This illustration is not drawn to scale.

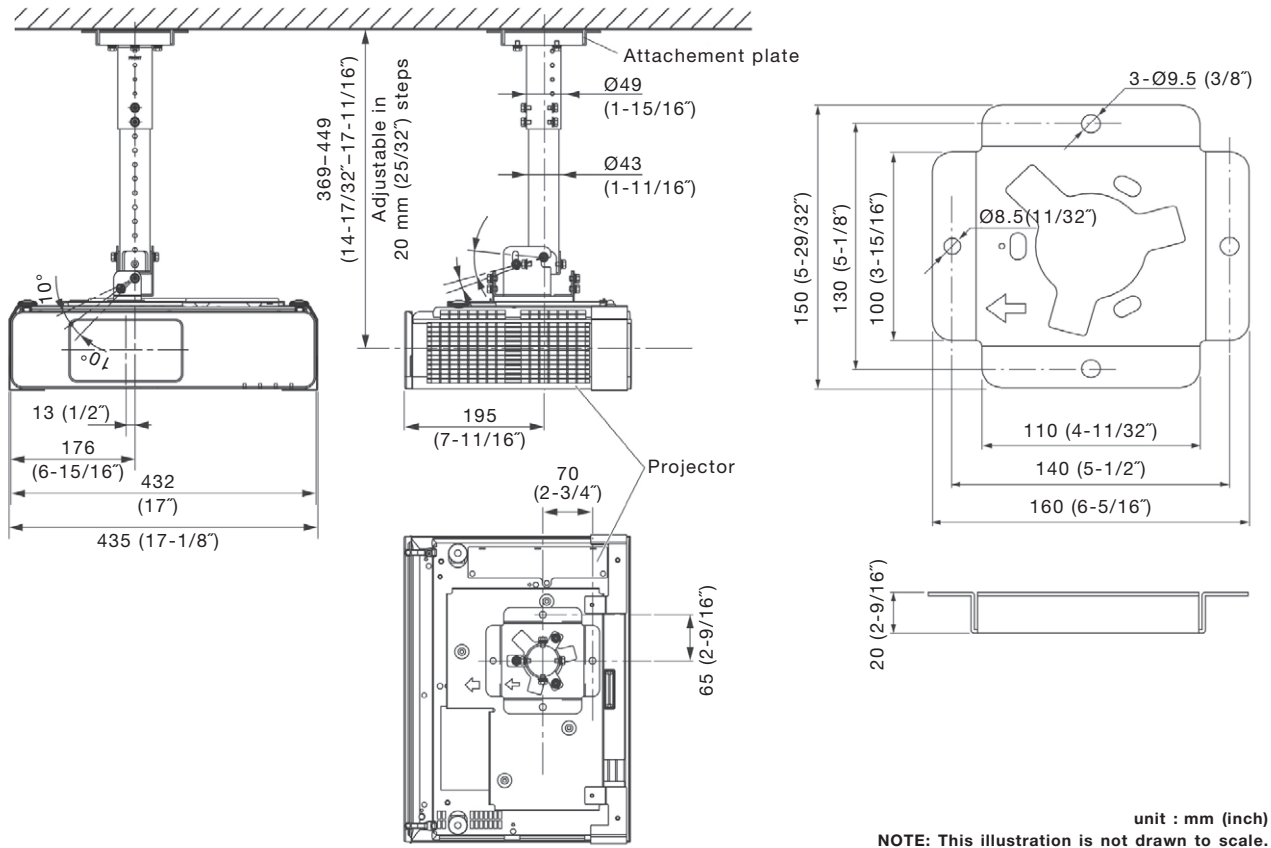
Ceiling mount bracket

ET-PKF100H

Dimensions

Illustration shows the bracket attached to the PT-F200NT/F200.

Attachment plate



unit : mm (inch)

NOTE: This illustration is not drawn to scale.

Free Manuals Download Website

<http://myh66.com>

<http://usermanuals.us>

<http://www.somanuals.com>

<http://www.4manuals.cc>

<http://www.manual-lib.com>

<http://www.404manual.com>

<http://www.luxmanual.com>

<http://aubethermostatmanual.com>

Golf course search by state

<http://golfingnear.com>

Email search by domain

<http://emailbydomain.com>

Auto manuals search

<http://auto.somanuals.com>

TV manuals search

<http://tv.somanuals.com>