

## Ceiling mount bracket

### Description

This ceiling mount bracket is to be used when mounting LCD projectors to the low ceiling.

<b>Specifications</b>	Vertical correction angle:	+5°, -15°
	Horizontal slant correction angle:	±5°
	Horizontal turn correction angle:	±5°
	Dimensions (W x H x D):	435 x 210 x 245 mm (17-1/8" x 8-9/32" x 9-21/32")
		<b>Note: Height (H) include holding brackets.</b>
	Weight:	1.9 kg (4.2 lbs)

Weights and dimensions shown are approximate. Specifications subject to change without notice.

<b>Parts</b>	Attachment plate .....	1	Washer-fitted screws (M4 x 12) .....	8
	Projector mount bracket .....	1	Wire rope .....	1
	Holding bracket A .....	1	Flat wire clip .....	2
	Holding bracket B .....	1	Clamp tube .....	2

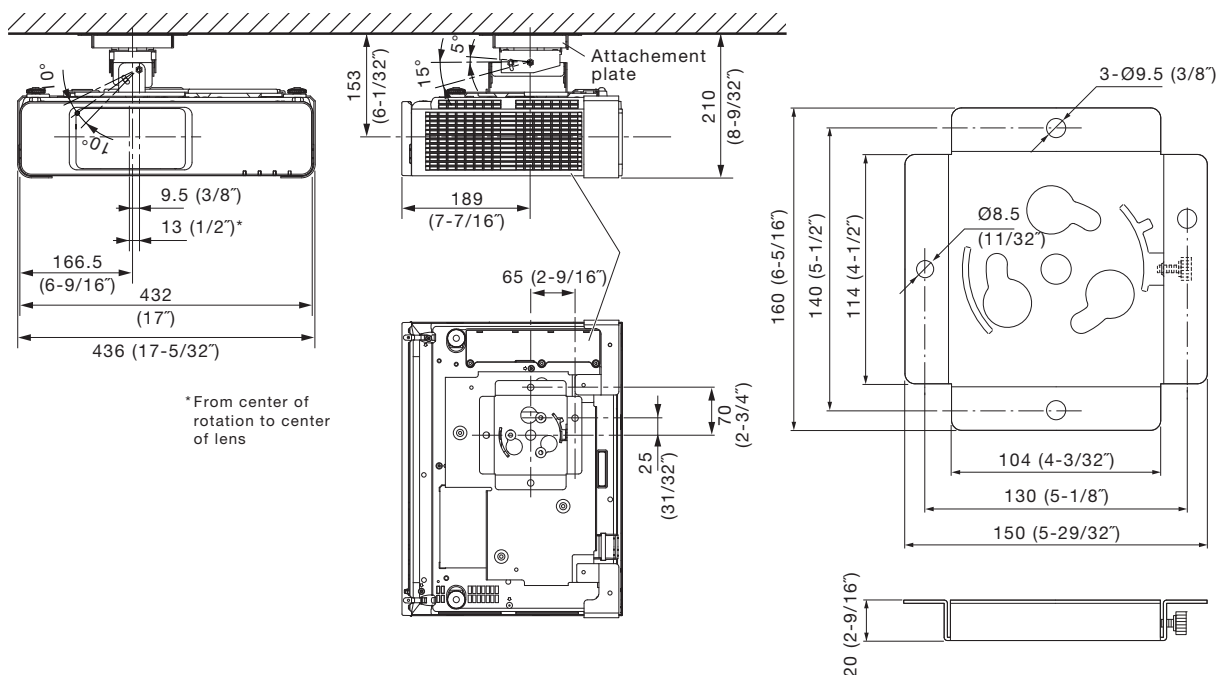
### Caution:

- Mounting should be done by a qualified technician.
- Make sure that the mounting (ceiling) area has sufficient strength.
- Read the enclosed mounting instructions thoroughly before starting.
- When the product is no longer going to be used, have it disposed of quickly by a professional disposal service.
- Do not use an electric screwdriver or impact driver to tighten screws. (Use a torque driver or similar tool.)

### Dimensions

Illustration shows the bracket attached to the PT-F300NT/F300/FW300NT/FW300.

Attachment plate



\*From center of rotation to center of lens

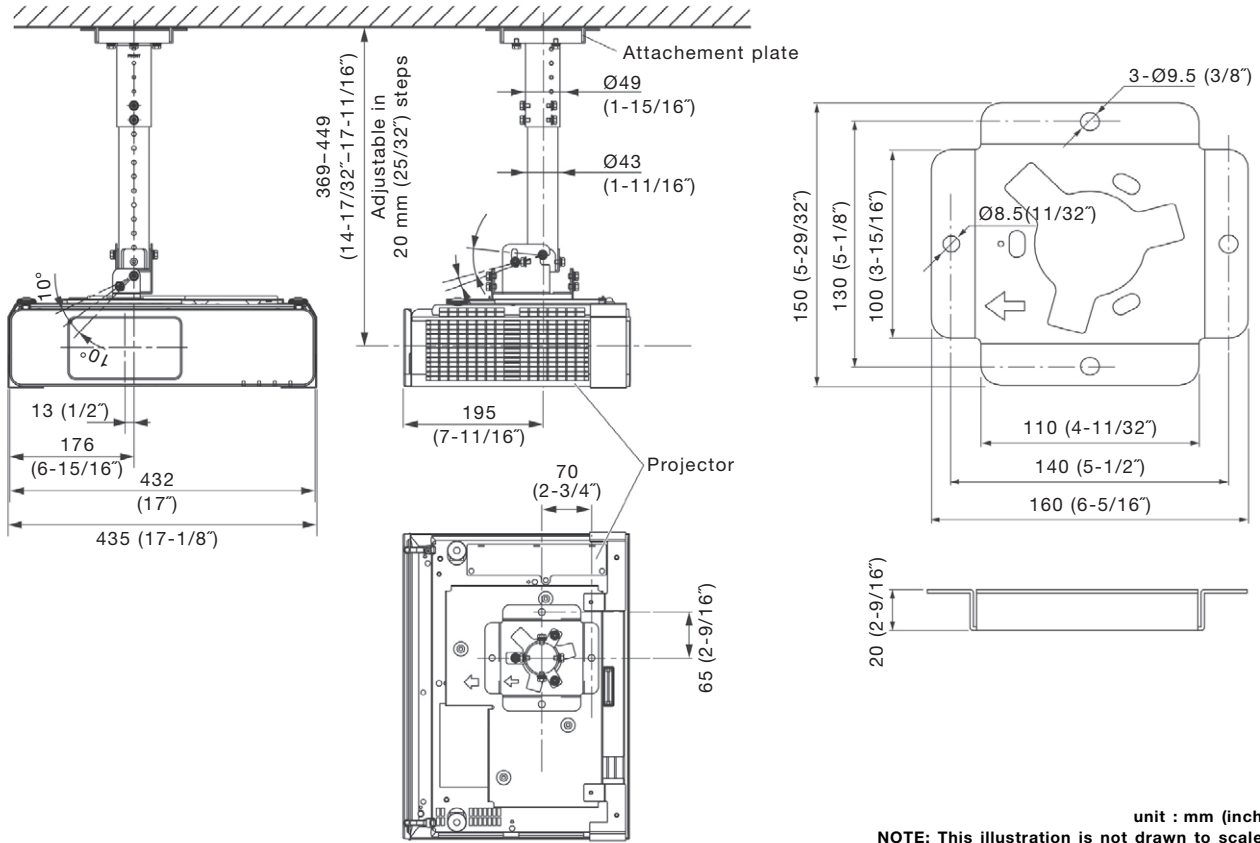
unit : mm (inch)

NOTE: This illustration is not drawn to scale.

Dimensions

Illustration shows the bracket attached to the PT-F200NT/F200.

Attachment plate



unit : mm (inch)  
NOTE: This illustration is not drawn to scale.

## Free Manuals Download Website

<http://myh66.com>

<http://usermanuals.us>

<http://www.somanuals.com>

<http://www.4manuals.cc>

<http://www.manual-lib.com>

<http://www.404manual.com>

<http://www.luxmanual.com>

<http://aubethermostatmanual.com>

Golf course search by state

<http://golfingnear.com>

Email search by domain

<http://emailbydomain.com>

Auto manuals search

<http://auto.somanuals.com>

TV manuals search

<http://tv.somanuals.com>