

Panasonic®

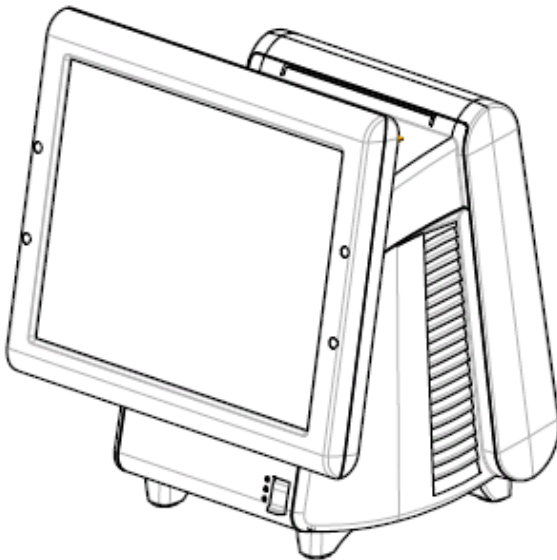
User's Manual POS Workstation

Model No. JS-950 Series

Contents For USA / For CANADA

English

Read Me First	2
1. Getting Started	
2. Operation	
3. Appendix	



Stingray

Before operating this product, please read the instructions carefully,
and save this manual for future use.

■ For USA

Federal Communications Commission Radio Frequency Interference Statement

This equipment has been tested and found to comply with the limits for a Class A digital device, pursuant to Part 15 of the FCC Rules. These limits are designed to provide reasonable protection against harmful interference when the equipment is operated in a commercial environment.

This equipment generates, uses and can radiate radio frequency energy and, if not installed and used in accordance with the instructions, may cause harmful interference to radio communications. Operation of this equipment in a residential area is likely to cause harmful interference in which case the user will be required to correct the interference at his own expense.

This device complies with Part 15 of the FCC Rules. Operation is subject to the following two conditions: (1) This device may not cause harmful interference, and (2) this device must accept any interference received, including interference that may cause undesired operation.

Mercury caution

This product has a fluorescent lamp that contains mercury. Dispose may be regulated in your community due to environmental considerations. For disposal or recycling information, please contact your local authorities, or the Electronic Industries Alliance:

<http://www.eiae.org>

Ce produit possède une lampe fluorescente contenant du mercure. Ceci est à mettre au rebut selon la réglementation locale dans votre communauté en raison des considérations à prendre pour la protection de l'environnement. Pour obtenir les informations relatives à la mise au rebut ou au recyclage, veuillez prendre contact avec les autorités locales ou Electronic Industries Alliance: <http://www.eiae.org>

Battery

This product contains a CR Coin Cell Lithium Battery which contains Perchlorate Material-special handling may apply.

See www.dtsc.ca.gov/hazardouswaste/Perchlorate.

■ For CANADA

This Class A digital apparatus complies with Canadian ICES-003.
Cet appareil numérique de la classe A est conforme à la norme NMB-003 du Canada.

Read Me First

Introduction

Thank you for purchasing the **JS-950** series Panasonic POS Workstation.

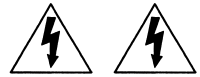
This manual describes the instructions for the POS Workstation.

Please read this manual carefully before using this product.

List of JS-950 series Product

	Name	Model Number.	Remarks
Main Unit	POS Workstation	JS-950WS-040	CPU:3.2GHz,Memory:512MB or 1GB
		JS-950WS-050	CPU:3.2GHz,Memory:2GB
Display Unit	Touch Display Unit	JS-950D2R010	12" resistive Touch screen
		JS-950D2C020	12" capacitive Touch screen
		JS-950D5R010	15" resistive Touch screen
		JS-950D5C010	15" capacitive Touch screen
		JS-950D5C020	15" capacitive Touch screen
Storage Unit	Storage module Unit	JS-950H35010	3.5HDD module
		JS-950HCF010	Dual CF module
ID module Unit	MSR Unit	JS-950MG-010	Magnetic stripe reader module
	Dallas Key Reader Unit	JS-950DP-010	Dallas KEY Reader module
	Fingerprint Sensor Unit	JS-950FS-010	Fingerprint Sensor module
Rear Display Unit	Rear Display Unit	JS-950RD-010	Rear Display module 2line
		JS-950RD-020	Rear Display module 4line
	2nd Display Unit	JS-950SD-010	2nd Display module 8.4" resistive TP
		JS-950SD-020	2nd Display module 8.4" w/o TP
AC cord Kit	AC cord kit	JS-950KT-UH0	AC cord kit UH
		JS-950KT-UM0	AC cord kit UM
		JS-950KT-A10	AC cord kit A
		JS-950KT-E10	AC cord kit E
		JS-950KT-F10	AC cord kit F
		JS-950KT-K10	AC cord kit K
		JS-950KT-W10	AC cord kit W
		JS-950KT-Z10	AC cord kit Z

1. Getting Started



■ Precautions

[POS Workstation: JS-950 series]

IMPORTANT

Install a socket outlet adjacent to the equipment so that it will be easily accessible.

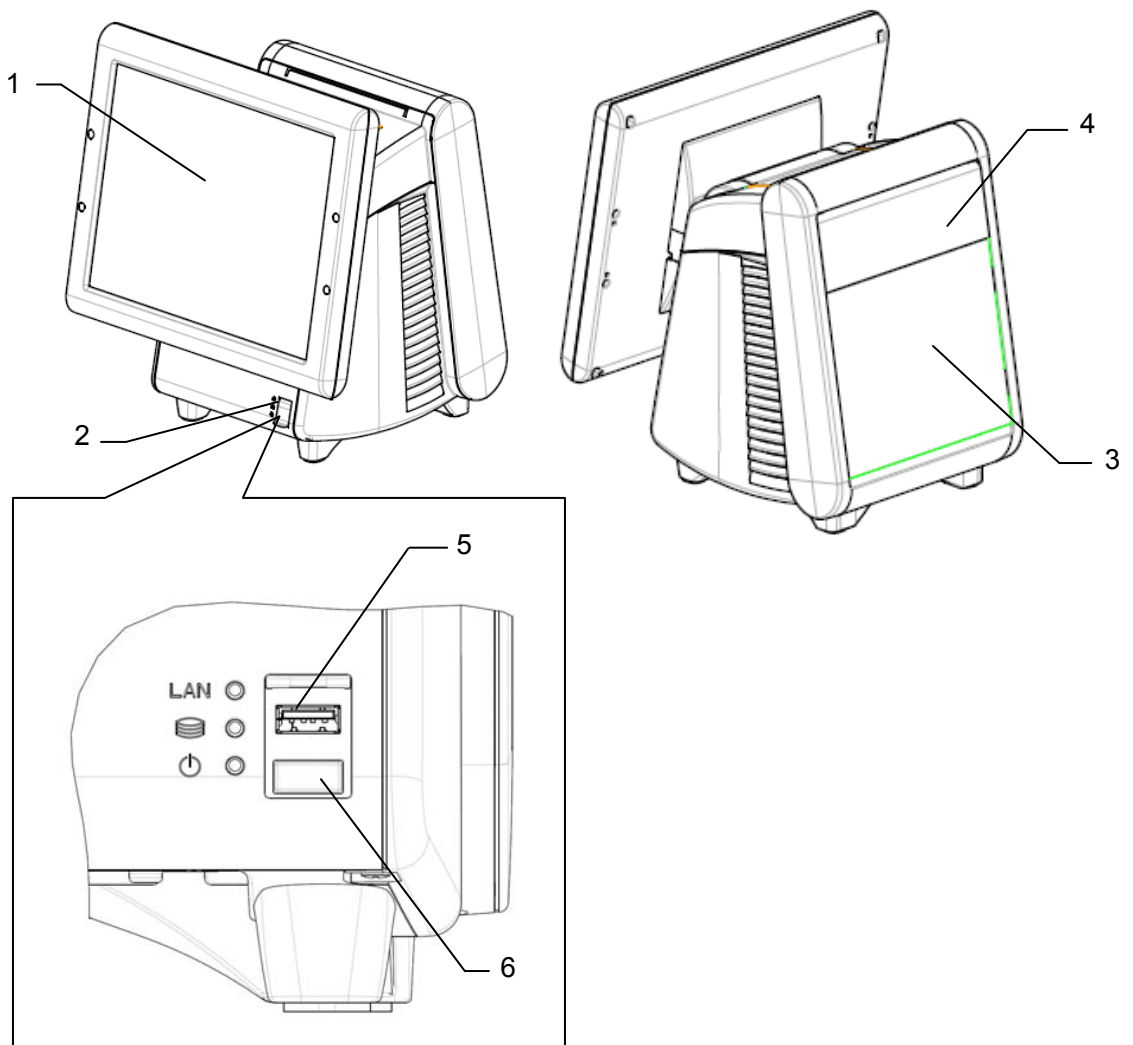
CAUTION

**RISK OF EXPLOSION IF BATTERY IS REPLACED BY AN INCORRECT TYPE.
DISPOSE OF USED BATTERIES ACCORDING TO THE INSTRUCTIONS.**

1. **Avoid Radio Frequency Interference**
Do not place the POS Workstation near a television or radio receiver.
2. **Avoid Stacking**
Do not place heavy objects on the POS Workstation.
3. **Keep Small Objects Away**
Do not insert paper clips or other small objects into POS Workstation.
There is the risk of heat, fire or explosion.
4. **Keep Dry**
There is the risk of heat, fire or explosion.
5. **Do Not Disassemble the POS Workstation**
Do not attempt to disassemble the POS Workstation. There is the risk of heat, fire or explosion.
6. **Do Not Touch the Plug with Wet Hands.**
There is the risk of electric shock.
7. **Be Certain to Plug Fully Into the Outlet.**
There is the risk of electric shock or fire.
8. **When Unplugging, Make Sure to Hold the Body of the Plug.**
If the power cord or outlet is damaged, there is a risk of electric shock, short circuit or fire.
9. **Do Not Use a Damaged Power Cord or Plug.**
There is the risk of electric shock or fire.
10. **Clean the Dust off the Plug, Periodically.**
There is the risk of heat or fire.
11. **Do not use With Any Other Battery**
Please use the specified battery.
CAUTION: Risk of explosion if battery is replaced by an incorrect type.
Dispose of used batteries according to the instructions and local requirements.
12. **Do not Touch the Power-cord or Plug During a Storm.**
There is the risk of electric shock or fire.
13. **Do not use the POS Workstation outdoors.**
This product assumes the indoor use. There is the risk of breakdown.
14. **Do not put the POS Workstation on a slope or an unstable place.**
This can cause damage to the unit or injury by falling.

Note: Do not open the Rear cover and Filter cover while the POS Workstation is operating.

■ Name of each part & function



1. Operator's Display
2. Front SW cover
3. POP Holder
4. Rear Display
5. USB connector
6. Power SW

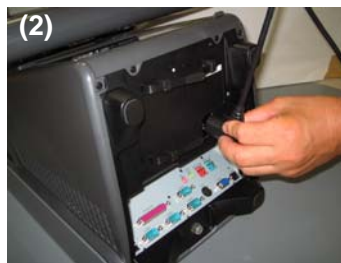
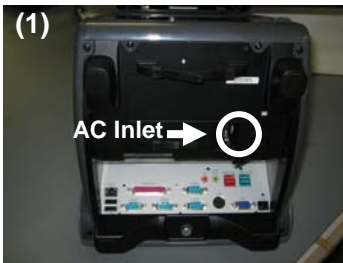
Attention: Do not push Power SW by mistake when you insert the USB connector.

2. Operation

■ AC Cord Kit Installation

1. How to install the AC Cord

- (1) Carefully lay the Main Body Unit on a clear, flat surface as shown in figure (1).
- (2) Unpack the AC Cord, and then connect it to AC Inlet as shown in figure (2).
- (3) Fit the Cord Clamp to AC Cord, and fix it by attached screw as shown in figure (3)-1, 2 and 3.
- (4) Carefully replace the Main Body Unit in upright position as shown in figure (4).



Note:

- 3 types of Clampers for fixing AC Cord are enclosed in Carton Box of Main Unit.
- Select 1 type of Clamper according to diameter of AC Cord.
- Confirm the AC Code doesn't move after fixing the AC Code with the clamper.

Standard Configuration List for AC Cord and Clamper

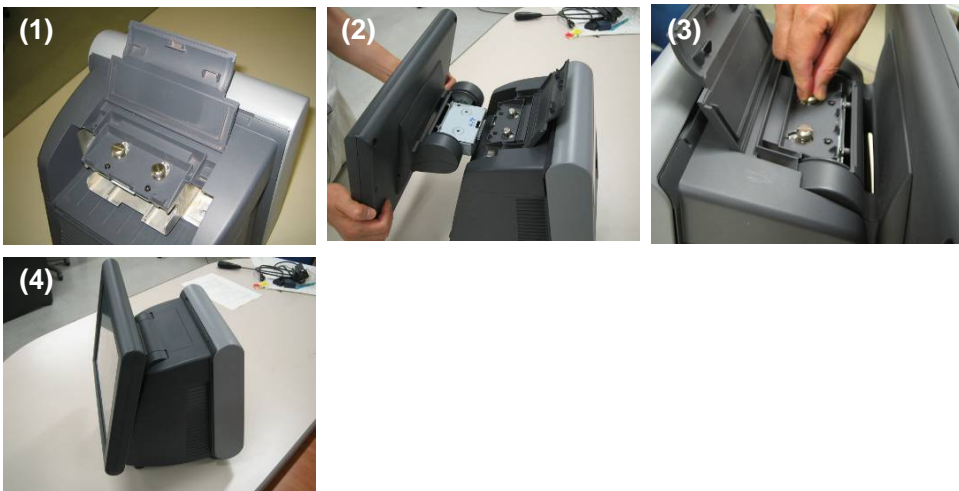
Model No.	Clamper type
JS-950KT-UH0	PC-3 ϕ 5.6
JS-950KT-UM0	PC-03C ϕ 6.9
JS-950KT-A10	PC-3 ϕ 5.6
JS-950KT-E10	PC-03C ϕ 6.9
JS-950KT-F10	PC-03C ϕ 6.9
JS-950KT-K10	PC-03C ϕ 6.9
JS-950KT-W10	PC-03C ϕ 6.9
JS-950KT-Z10	PC-03C ϕ 6.9

■ Display Unit Installation

Be sure to disconnect the power cable of the main block (POS Workstation) and confirm the power is "OFF" before the operation below.

1. How to install the display unit

- (1) Open the screw cover of the main unit (POS Workstation).
- (2) Hold the display unit with both hands and insert the connector section of the display unit into the connector inlet guide of the main unit slowly to connect the connector.
Note: When the connector section is connected, do not press the LCD surface of the display unit.
(Failure to observe this may result in damage to functions of the LCD or touch panel.)
- (3) Tighten the 2 thumbscrews of the main unit by hand to secure the display unit.
* Be sure to use hand when tightening the thumbscrews. Hold wire between the tips of one's first two fingers as shown in figure (3), and then tighten it.
* Make sure that no looseness is detected when trying to move the display unit.
- (4) Close the screw cover of the main unit.



2. How to replace the display unit

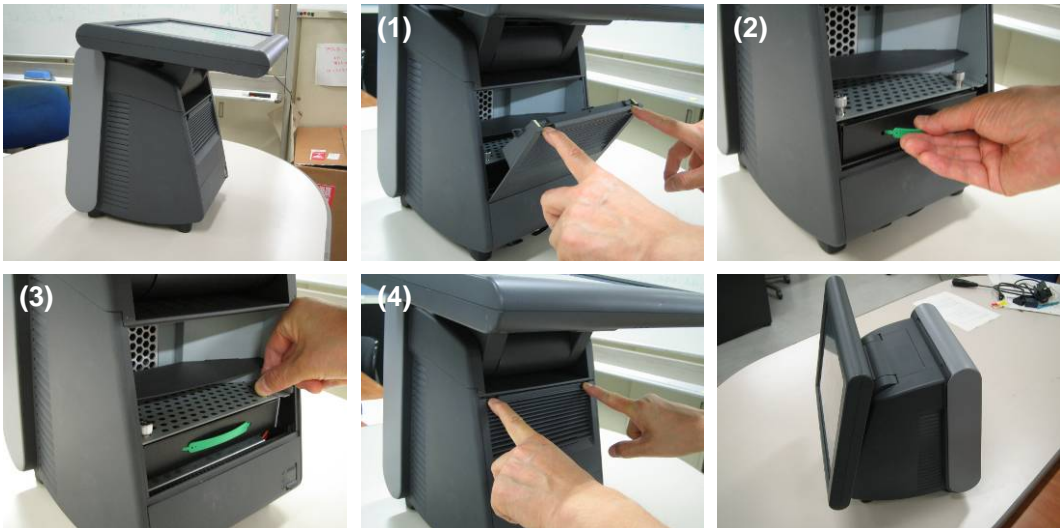
- (1) Place the main unit to make the display unit at right angle to the mounting table.
- (2) Open the screw cover of the main unit.
- (3) Loosen the 2 thumbscrews securing the display unit.
* The thumbscrews shall be loosened until the screws rotate without resistance.
- (4) Hold the both sides of the display unit and pull out the unit slowly.
- (5) Prepare a new display unit and perform replacement in accordance with the procedure 1, "How to install the display unit".

■ Storage Unit Installation

Be sure to disconnect the power cable of the main block (POS Workstation) and confirm the power is "OFF" before the operation below.

1. How to mount the storage unit

- (1) Disconnect the 2 latches on the upper portion of the filter cover of the main unit by both hands, pull the cover toward you while pressing the cover downward at the same time, and remove the filter cover.
- (2) Insert the storage unit into the prescribed inlet of the main unit slowly and connect the connector of the main unit with the connector of the storage unit.
- (3) Tighten the 2 thumbscrews supplied with the main unit by hand to secure the storage unit.
- (4) Hitch the lower portion of the filter cover to the main unit, and push the cover until the latches of both sides on the upper portion are connected to secure the cover.



2. How to replace the storage unit

- (1) Place the main unit to make the display unit in parallel with the mounting table.
- (2) Disconnect the 2 latches on the upper portion of the filter cover of the main unit by both hands, pull the cover toward you while pressing the cover downward at the same time, and remove the filter cover.
- (3) Loosen the 2 thumbscrews securing the storage unit by hand, hold the band on the front side of the storage unit and pull the band toward you slowly.
- (4) Prepare a new storage unit.

Note: Exercise care to avoid any impact to the storage unit(s).

■ Rear Display Unit Installation

Be sure to disconnect the power cable of the main block (POS Workstation) and confirm the power is "OFF" before the operation below.

1. How to mount the rear display unit

- (1) Loosen the thumbscrew on the lower portion of the rear cover at the rear display side of the main unit by hand, and remove the rear cover.
 - * The thumbscrew shall be loosened until the screw rotates without resistance.
- (2) Prepare a rear display to be used. (The contents here explain the 2-line type.)
- (3) Connect the hook of the rear display to the hole of the main unit, and tighten the 2 thumbscrews by hand to secure it.
- (4) Connect the connector of the rear display with the connector of the main unit.
 - * The cable connector has a clip to prevent the cable from coming out from the main unit.
- (5) Gently press cable toward Display Unit so that it will not extend beyond the case.
In case of installation of 2 line Rear Display module, clamp the cable as shown in the fig. (5)-1. In case of installation of 4 line Rear Display module, you do not need to clamp cable.
- (6) Peel off the blind seal attached on the window of the rear cover.
- (7) Attach the rear cover on the main unit, and tighten the thumbscrew on the lower portion by hand to secure the cover.

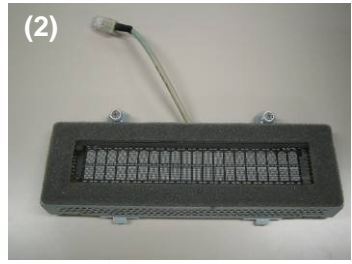
(1)-1



(1)-2



(2)



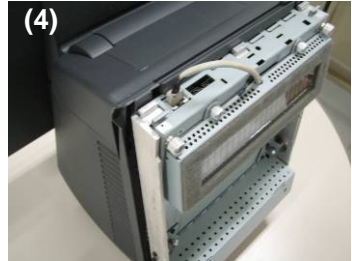
(3)-1



(3)-2



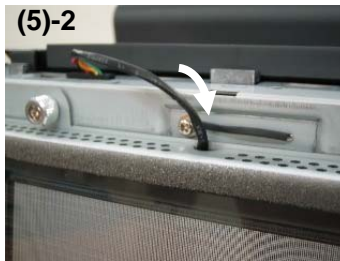
(4)



(5)-1



(5)-2



(7)



2. How to replace the rear display

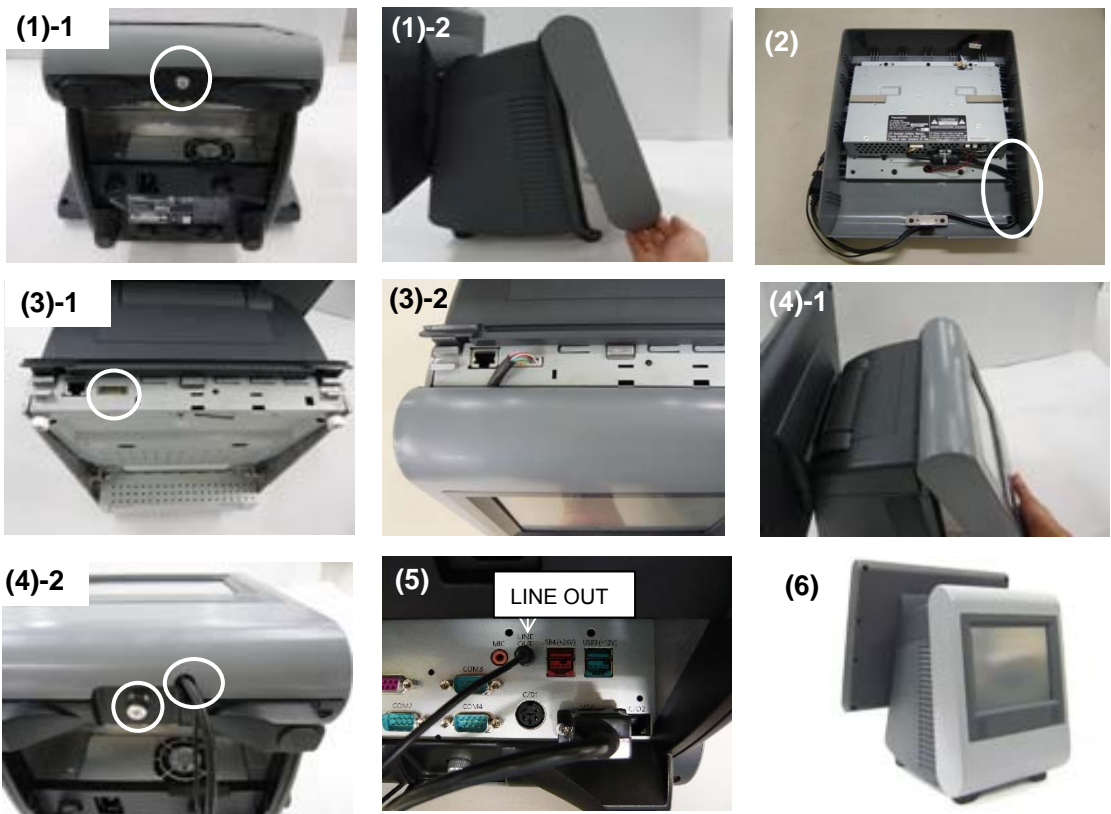
- (1) Loosen the thumbscrew on the lower portion of the rear cover of the main unit by hand, and remove the rear cover.
 - * The thumbscrew shall be loosened until the screw rotates without resistance.
- (2) Disconnect the connector of the rear display from the connector of the main unit.
- (3) Loosen the 2 thumbscrews securing the rear display, and remove the rear display.
 - * The thumbscrews shall be loosened until the screws rotate without resistance.
- (4) Prepare a new rear display.
- (5) Follow the steps (3), (4) and (5) of “How to mount the rear display unit”.

■ 2nd display unit Installation

Be sure to disconnect the power cable of the main block (POS Workstation) and confirm the power is "OFF" before the operation below.

1. How to mount the 2nd Display Unit

- (1) Loosen the thumbscrew on the lower portion of the rear cover at the rear display side of the main block by hand, and remove the rear cover.
* The thumbscrew shall be loosened until the screw rotates without resistance.
- (2) Prepare a 2nd display unit to be used. (The contents here explain the 950SD010 type.)
Confirm the wiring that VGA Cable and Speaker Cable are put along case of inside wall as shown in the fig. (2).
- (3) Connect the connector of the 2nd display with the connector of the main block as shown in fig. (3).
- (4) Attach the rear cover on the main block as shown in fig. (4)-1. And also, route the 2nd display's cable (950SD010 has 2 cables) in the groove as shown in fig. (4)-2. Then, tighten the thumbscrew on the lower portion by hand to secure the cover.
- (5) In case of 950SD010, connect VGA cable and speaker cable to predefined I/F on I/O panel.
- (6) Stand-up correctly.



2. How to replace the 2nd Display Unit

- (1) In case of 950SD010, disconnect VGA cable and speaker cable from I/O panel.
- (2) Loosen the thumbscrew on the lower portion of the rear cover of the main block by hand, and remove the rear cover.
* The thumbscrew shall be loosened until the screw rotates without resistance.
- (3) Disconnect the connector of the 2nd Display Unit from the connector of the main block.
- (4) Prepare a new rear display.
- (5) Follow the steps (3), (4) and (5) of “How to mount the 2nd Display Unit”.

■ ID module Unit installation

Be sure to disconnect the power cable of the main block (POS Workstation) and confirm the power is "OFF" before the operation below.

1. Contents



ID module 1pcs



Peripheral screw
2pcs



Screw 2pcs



Cable cover
Long type 1pcs
Short type 1pcs

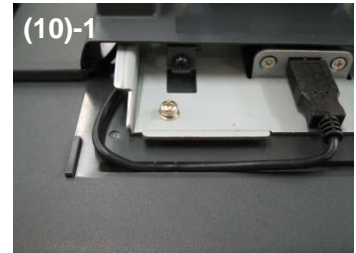
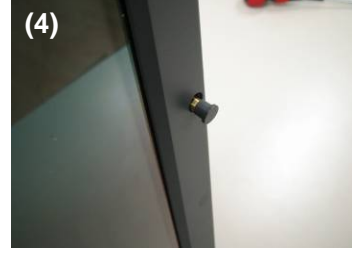


(Use only
Dallas KEY reader)
Cable clamp 1pcs

2. How to mount the ID module unit (Please see the following pictures.)

- (1) Place the main unit to make the display unit at right angle to the mounting table.
- (2) Decide which side, right or left, of the display unit the ID module unit is mounted on. (The contents here explain the case of the magnetic card reader mounting on the right side.)
- (3) Remove Display Unit. See Display Unit Installation.
- (4) Remove the 2 screws on the rear side of the display unit using a screwdriver. After removal of the screws, the peripheral screws can be removed from the front side of the display unit.
- (5) Slide the USB cable cover toward you while pushing both sides of the USB cable cover at the hinge section of the display unit inward to remove the cover.
- (6) Prepare an ID module unit to be mounted.
 - * The ID module unit is supplied with 2 pieces of peripheral screws, 2 pieces of screws, 1 piece of long cable cover, and 1 piece of short cable cover as accessories. And Dallas KEY reader is supplied with cable clamp
- (7) Handle the cable of the ID module unit (positioning and securing the cable).
 - The guide channel is provided for cable positioning and securing inside the mounting channel of the ID module unit.
 - The cable shall be run under the ID module unit.
- (8) Put the ID module unit in the position where the peripheral screws were removed on the display unit.
- (9) Cable cover has direction as shown in the fig. (9)-1. Insert salient portion of Cable cover to concave portion of Display unit as shown in the fig. (9)-2 and (9)-3. Then completion picture is fig. (9)-4.
- (10) In case of the magnetic card reader and fingerprint sensor, connect the connector of the display unit with the connector of those module units. Secure the cable along the guide channel on the rear side of the display unit as shown in the fig. (10)-1. In case of the Dallas KEY reader, secure the cable along the guide channel on the rear side of the display unit. And loosen a screw as shown in the fig. (10)-2. Use clamp to clip the ground of USB cable and put it in the position where the screw of fixing LCD hinge were removed on the LCD hinge. (10)-3.

- Tighten the screw to clamp the cable and wiring the cable as shown in the fig. (10)-4.
- (11) Slide USB cable cover as shown in the fig. (11)-1. In case of Dallas KEY reader, slide the USB cable cover with care to avoid the cable from the rib of the USB cable cover as shown in the fig. (11)-2.
 - (12) Put the supplied 2 peripheral screws in from the front side of the ID module unit and tighten the screws using a screwdriver from the rear side to secure it.
 - (13) Install Display Unit according to Display Unit Installation.





3. How to replace the ID module unit

- (1) Remove Display Unit according to Display Unit Installation.
- (2) Prepare an ID module unit to be used.
 - * The ID module unit is supplied with 2 pieces of peripheral screws, 2 pieces of screws, 1 piece of long cable cover, and 1 piece of short cable cover as accessories.
- (3) Slide the USB cable cover toward you while pushing both sides of the USB cable cover at the hinge section of the display unit inward to remove the cover.
- (4) Disconnect the connector of the ID module unit from the connector of the main unit, and detach the cable from the guide channel.
- (5) Remove the 2 screws on the rear side of the display unit using a screwdriver.
After removal of the screws, the peripheral screws can be removed from the front side of the mounted ID module unit.
- (6) Perform replacement in accordance with the procedure 1, "How to mount the ID module unit".

3. Appendix

■ Specifications

[Common Specifications]

Environmental condition

Item	Specification
Operating Temperature	+5°C - +40°C
Operating Humidity	15% RH - 85% RH (no dew)
Storage Temperature	-30°C - +60°C
Storage Humidity	10%RH - 90%RH

[POS Workstation: JS-950WS-...]

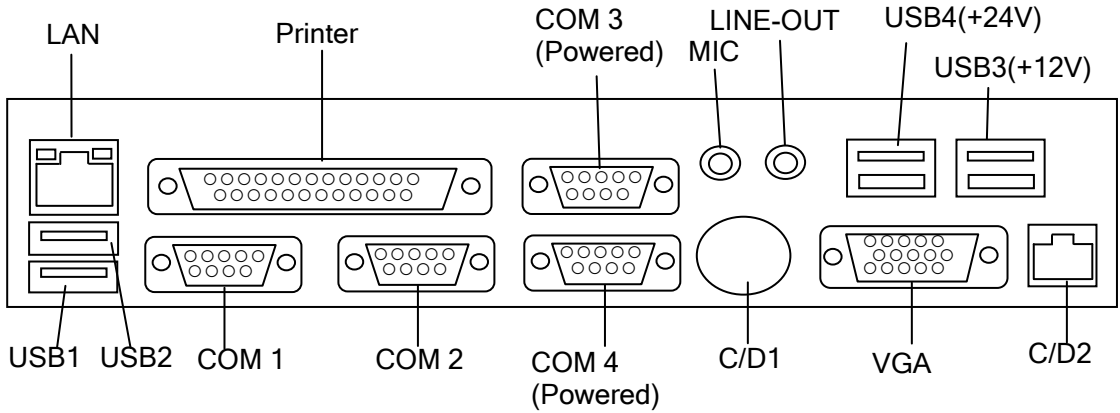
Item		Specification
Power Supply input		AC100V-240V, 50/60 Hz, 6.0A
Size		Approx. W250mm x D277mm x H351mm
Mass		Approx. 7.0 kg
Standard	Safety	cULus, TÜV, CE, GOST, BSMI, SABS
	EMI & immunity	FCC Part15 Class A, ICES-003 Class A, CISPR22 Class A, CE (EN55022 Class A, EN55024, EN61000), GOST Class A, BSMI Class A, KCC Class A, C-tick Class A, SABS Class A

1: Power supply cord is not attached.

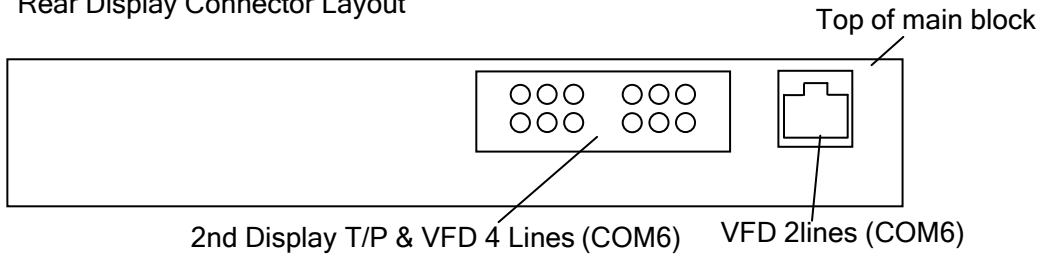
Please use the AC cord kit in accordance with safety standards in the country of use.

IO Connector layout

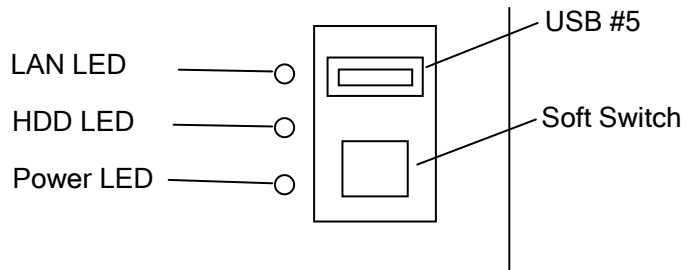
(1) Bottom IO Connector layout



(2) Rear Display Connector Layout

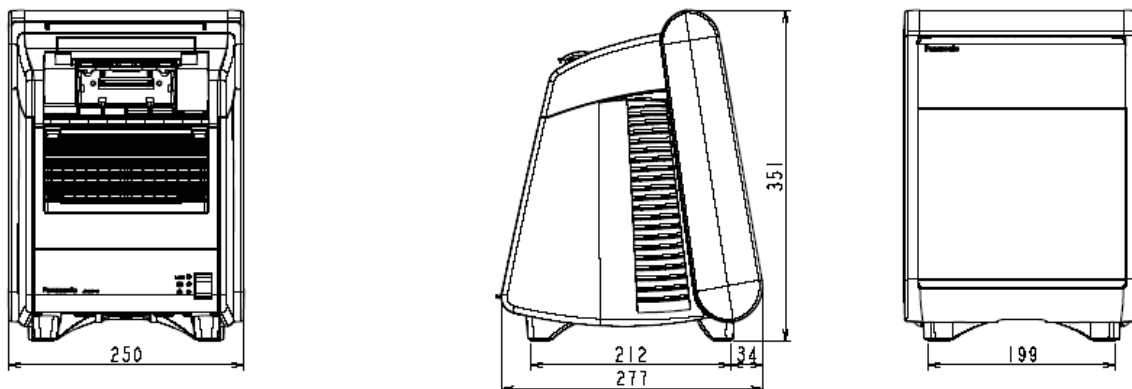


(3) Front IO Connector layout SW & LED

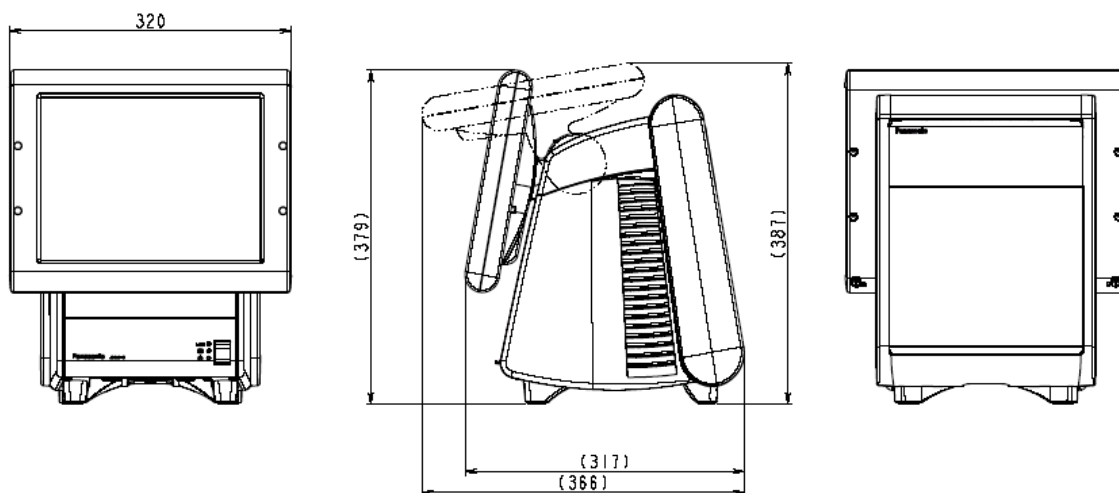


Outside drawing

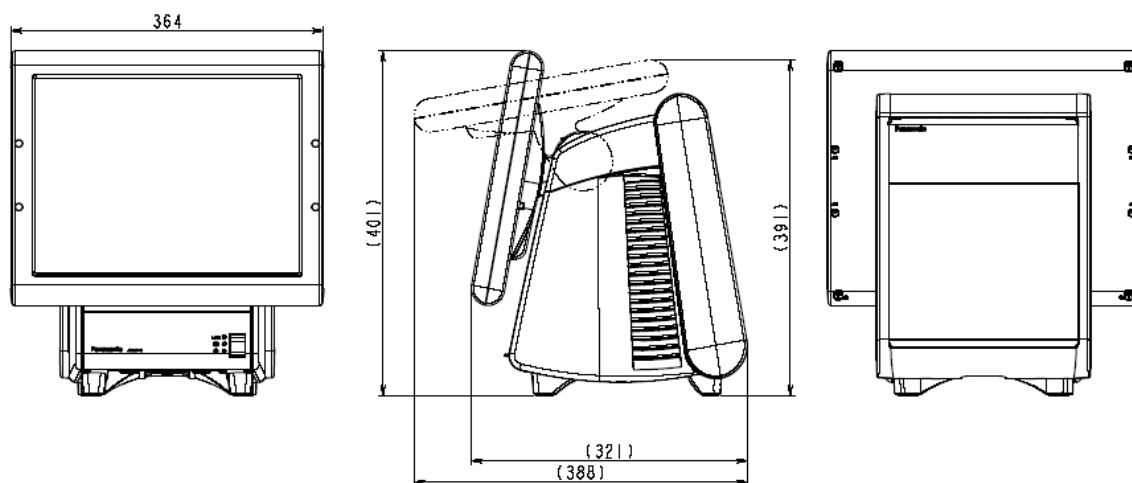
Main Body



12" Touch Screen



15" Touch Screen

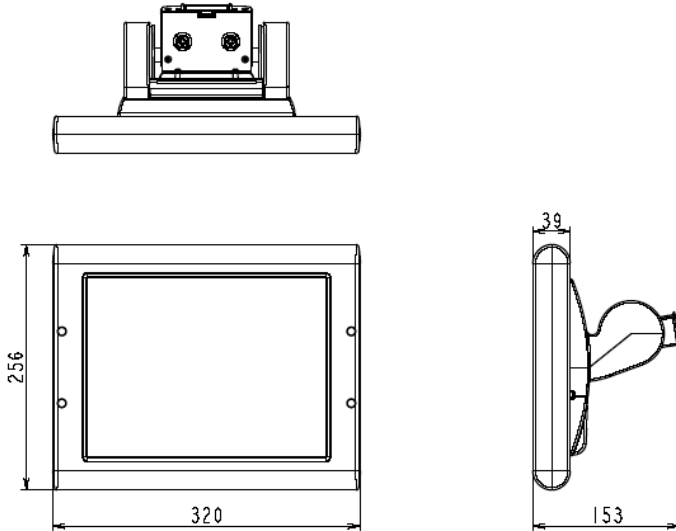


[Touch Display Unit: JS-950D.....]

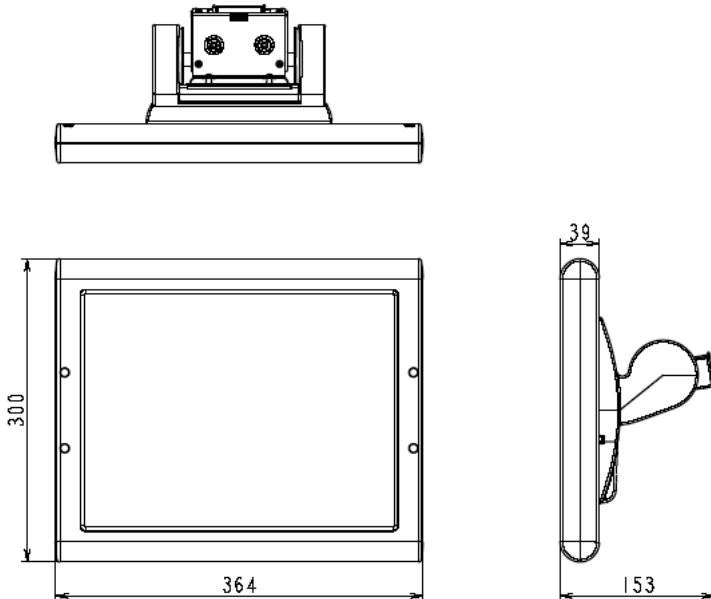
Item	Specification
Size	12.1": Approx. W320mm x D153mm x H256mm 15": Approx. W364mm x D153mm x H300mm
Mass	12.1": Approx. 3.4 kg 15": Approx. 4.4 kg

Outside drawing

(1) 12.1" resistive TP Display, 12.1" capacitive TP Display



(2) 15" resistive TP Display, 15" capacitive TP Display

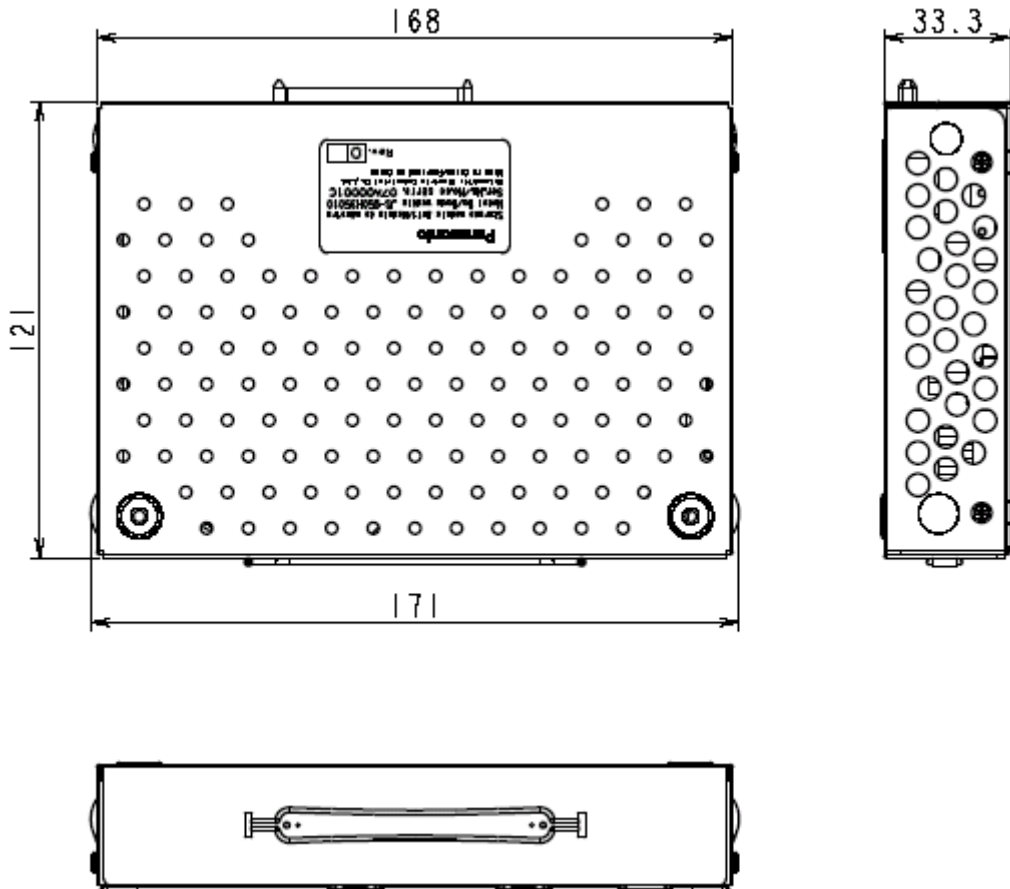


[Storage module Unit: JS-950H.....]

Item	Specification
Size	Approx. W171mm x D126.5mm x H34mm
Mass	Approx. 0.8Kg (3.5"), 0.5Kg(2x CF)

Outside drawing

3.5HDD module, Dual CF module



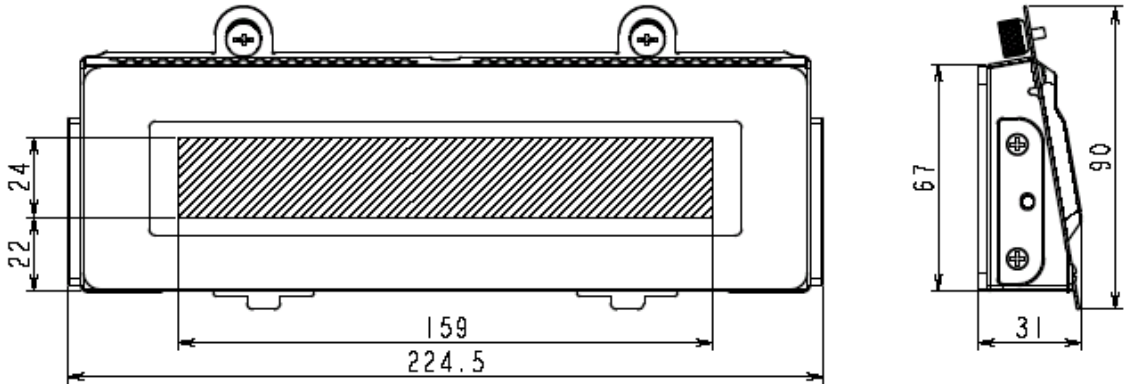
[Rear Display Unit: JS-950RD-...]

Item	Specification
Size	Approx. W216.5mm x D29mm x H90mm
Mass	Approx. 0.4Kg (2 Lines), 0.5Kg (4Lines)

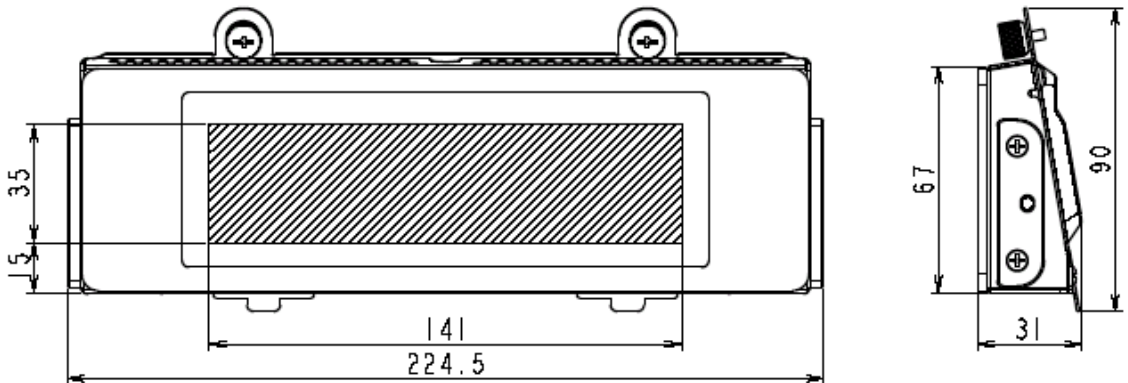
Outside drawing

Rear Display Module 2line, Rear Display Module 4line

Rear Display module 2line



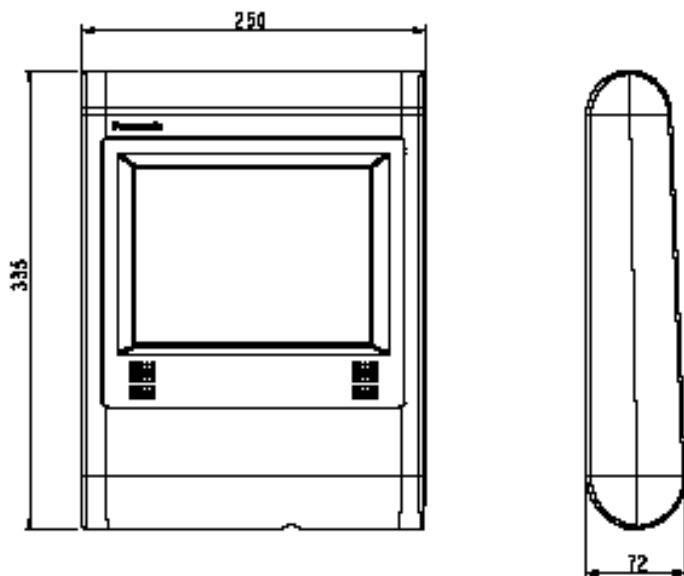
Rear Display module 4line



[2nd Display Unit: JS-950SD-...]

Item	Specification
Note:	It is not possible to use it together with the Rear Display Unit.
Size	Approx. W250mm x D72mm x H335mm
Mass	Approx. 1.4kg

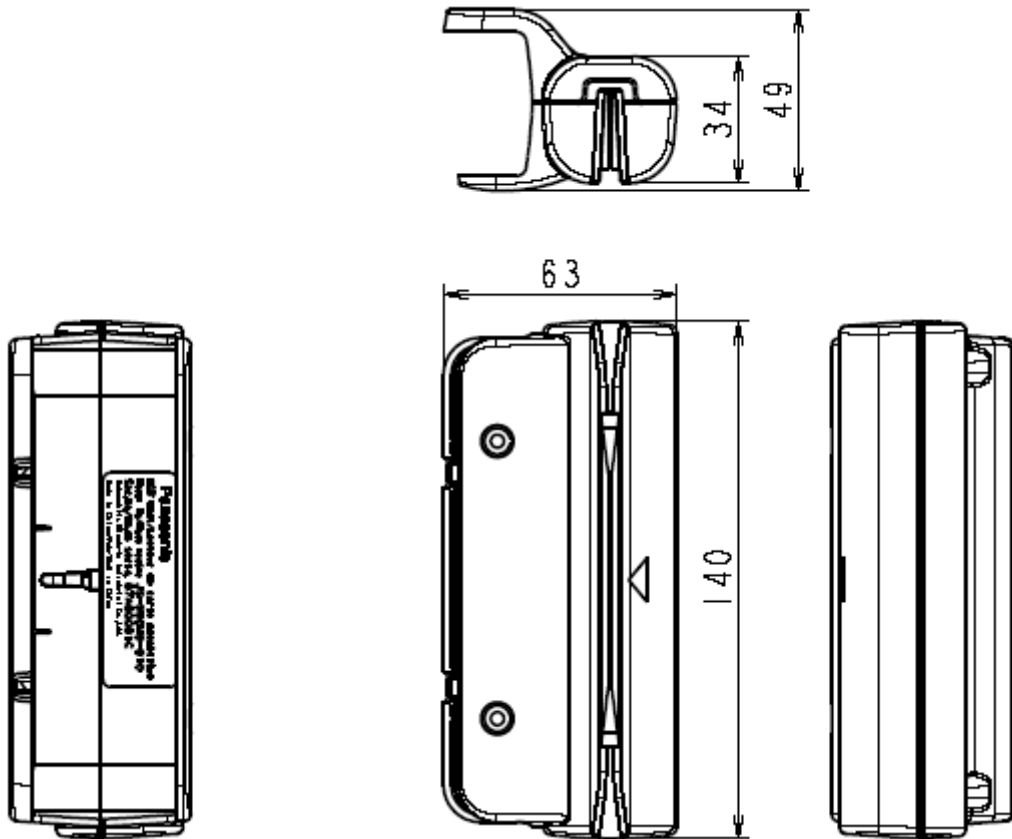
Outside drawing



[MSR Unit: JS-950MG-010]

Item	Specification
accessories	2 pieces of peripheral screws 2 pieces of screws 1 piece of long cable cover 1 piece of short cable cover
Note:	MSR, Dallas Key and Fingerprint can not be used at the same time.
Size	Approx. W63mm x D49mm x H140mm
Mass	Approx. 0.1 kg

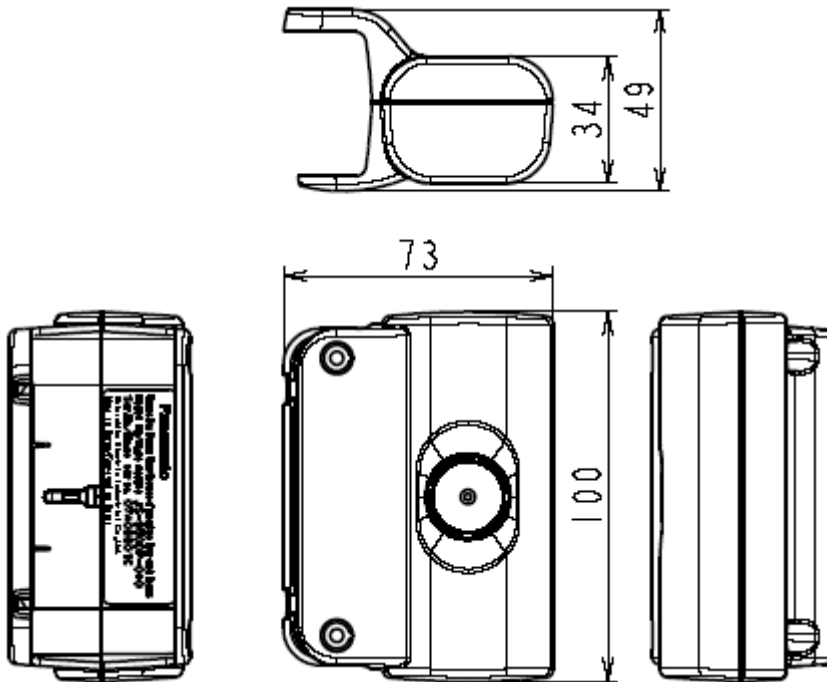
Outside drawing



[Dallas Key Reader Unit: JS-950DP-010]

Item	Specification
accessories	2 pieces of peripheral screws 2 pieces of screws 1 piece of long cable cover 1 piece of short cable cover
Note:	- Work in virtual COM I/F - MSR, Dallas Key and Fingerprint can not be used at the same time.
Size	Approx. W73mm x D49mm x H100mm
Mass	Approx. 0.15 kg

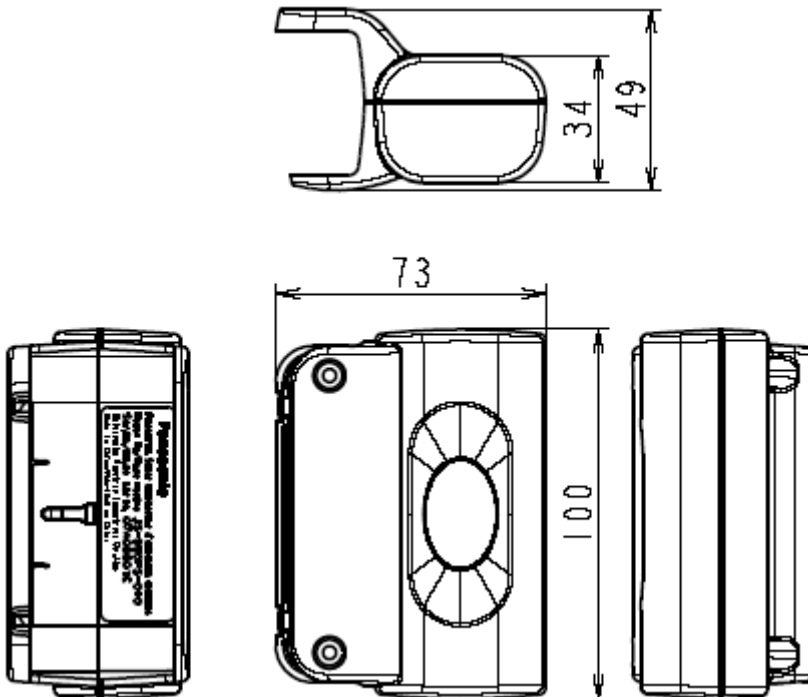
Outside drawing



[Fingerprint Sensor Unit: JS-950FS-010]

Item	Specification
accessories	2 pieces of peripheral screws 2 pieces of screws 1 piece of long cable cover 1 piece of short cable cover
Note:	MSR, Dallas Key and Fingerprint can not be used at the same time.
Size	Approx. W73mm x D49mm x H100mm
Mass	Approx. 0.1 kg

Outside drawing



■ Cleaning

Cleaning of outer case

Light soil - Wipe case lightly with a dry, soft cloth.

Heavy soil - Wipe case lightly with soft cloth pre-moistened with very diluted, mild detergent.

Lightly wipe case dry with a dry, soft cloth.

Cleaning of Display

Wipe display gently with a dry, soft cloth to remove light dirt and dust.

Do not wipe or press display hard, hit display or exert force on display as LCD in the display is breakable.

Do not use OA Cleaner for cleaning it, because it will cause change color or change in quality.

Maintenance of outer case

Outer cases are made of plastic.

Do not apply benzine, thinner, glue, alkalinity detergent, alcohols detergent, glass cleaner, wax, abrasive cleanser, detergent powder, or pesticide, because it will cause change color or change in quality. (follow to the cautionary statement if chemical cloth is used.)

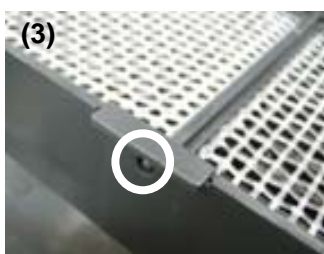
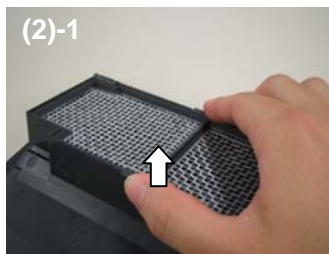
Do not leave rubber and vinyl product touched for a long time, because it will cause change color or change in quality.

Dust filter cleaning

Clean the dust filter every month by mild detergent with the following procedure.

How to remove the dust filter.

- (1) Disconnect the 2 latches on the upper portion of the filter cover of the main unit by both hands, pull the cover toward you while pressing the cover downward at the same time, and remove the dust filter cover.
- (2) Remove the dust filter from rear side of the filter cover with pushing to direction of the arrow in the figure (2)-1.
⚠️⚠️ (2)-2 Dry dust filter enough after washing.
- (3) After dust filter cleaning, reinstall it to rear side of the filter cover as shown in figure (3). Make sure of 2 raised dots in the holes insuring the dust filter is fixed in place.
- (4) Hitch the lower portion of the filter cover to the main unit, and push the cover until the latches of both sides on the upper portion are connected to secure the cover.



■ Operation

Attention for capacitive touch screen

- (1) Do not touch it by finger nail, because capacitive touch screen can not recognize it. Touch it by finger tip.
- (2) Do not touch it during startup. It initializes touch screen during startup. If it is touched during startup, touch screen is not initialized correctly.
- (3) Be careful to not accidentally touch around display edges or press on display bezel as it can negatively affect display touch sensor accuracy.
- (4) Touch screen calibration can be affected by atmospheric change - typically great in magnitude. In case of calibration shifted, perform a calibration adjustment.
- (5) Adequacy of touch screen reaction-time or sensitivity may vary by operator. Display sensitivity can be adjusted by executing a display sensitivity adjustment program*.
- (6) Capacitive touch-screen panel uses radio frequency to detect finger tip touch. Terminals are configured to use different frequencies to avoid conflict in the event of two or more terminals operating within 1.5 meters (approx. 5') of each other. In the event of conflict ('ghost' or inexplicable touch-screen reaction(s)), shutdown and reboot the terminal to reselect touch screen frequency.

* Inquire to the supplier about the executing display sensitivity adjustment program.

Carrying/moving terminals

Do not lift or carry the terminal by holding the Display Unit/Unit. Lift and carry the terminal by securely holding the Main Body Unit from the bottom, with two hands.

Display angle adjustment

Take care not to place the fingers between Display and Main Unit when the angle of Display is adjusted. Injury may occur. Adjust Display tilt-angle with two hands placed on outside, bezel edges of Display unit.

Specifications and manuals are subject to change without notice.

Microsoft and Windows are registered trademarks of Microsoft Corporation in the United State of America and other countries.

Intel and Celeron D are trademarks or registered trademarks of Intel Corporation in the United State of America and other countries.

Panasonic[®] is a registered of trademark of Panasonic Corporation.

**Panasonic System Networks Company of America,
Unit of Panasonic Corporation of North America**
Three Panasonic Way, Secaucus, New Jersey 07094 U.S.A.

Panasonic Canada Inc.
5770 Ambler Drive, Mississauga, Ontario, L4W 2T3 Canada

© Panasonic System Networks Co., Ltd. 2010

C0110-0
Printed in China

Free Manuals Download Website

<http://myh66.com>

<http://usermanuals.us>

<http://www.somanuals.com>

<http://www.4manuals.cc>

<http://www.manual-lib.com>

<http://www.404manual.com>

<http://www.luxmanual.com>

<http://aubethermostatmanual.com>

Golf course search by state

<http://golfingnear.com>

Email search by domain

<http://emailbydomain.com>

Auto manuals search

<http://auto.somanuals.com>

TV manuals search

<http://tv.somanuals.com>