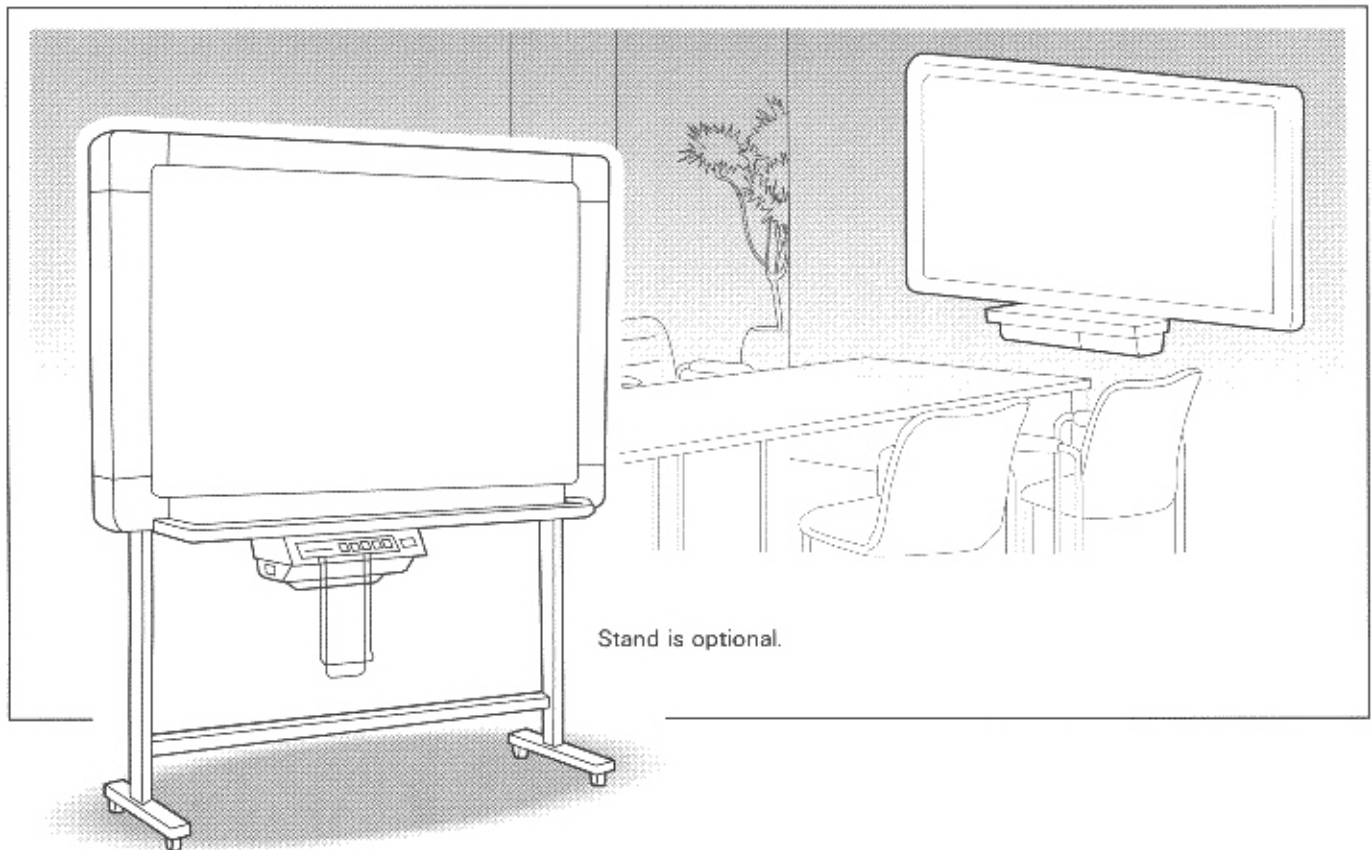


Panasonic

Panaboard
Electronic Print Board

Operating Instructions

MODEL NO. **KX-B730**



Before operating this unit, please read these instructions completely. After reading them, preserve them carefully for future reference.

Thank you for purchasing the Panasonic Electronic Print Board.
 For optimum performance and safety, please read these instructions carefully.

Accessories

- | | | | |
|-----------------------------------|--------|-----------------------------|---|
| ● Copy paper | 1 | ● Eraser | 1 |
| ● Marker (red, black, blue) | 1 each | ● Power cord | 1 |
| ● Operating Instructions | 1 | ● Installation Manual | 1 |

Warning Notices

WARNING:

TO PREVENT FIRE OR SHOCK HAZARD, DO NOT EXPOSE THIS PRODUCT TO RAIN OR ANY TYPE OF MOISTURE.

CAUTION:

TO PREVENT RISK OF ELECTRIC SHOCK HAZARD, DO NOT REMOVE THE COVER OF THIS PRODUCT, REFER SERVICING TO QUALIFIED SERVICE PERSONNEL.

Note: This equipment has been tested and found to comply with the limits for a Class B digital device, pursuant to Part 15 of the FCC Rules. These limits are designed to provide reasonable protection against harmful interference in a residential installation.

This equipment generates, uses and can radiate radio frequency energy and, if not installed and used in accordance with the instructions, may cause harmful interference to radio communications. However, there is no guarantee that interference will not occur in a particular installation. If this equipment does cause harmful interference to radio or television reception, which can be determined by turning the equipment off and on, the user is encouraged to try to correct the interference by one of the following measures:

- Reorient or relocate the receiving antenna.
- Increase the separation between the equipment and receiver.
- Connect the equipment into an outlet on a circuit different from that to which the receiver is connected.
- Consult the dealer or an experienced radio/TV technician for help.

FCC Caution: Any changes or modifications not expressly approved by the party responsible for compliance could void the user's authority to operate this equipment.

Precautions

Installation

Do not install the unit where:

- it is exposed to direct sunlight or air-conditioning vent,
- near heating equipment,
- the temperature is lower than 10°C (50°F) or it is subject to sudden temperature change.

Handling

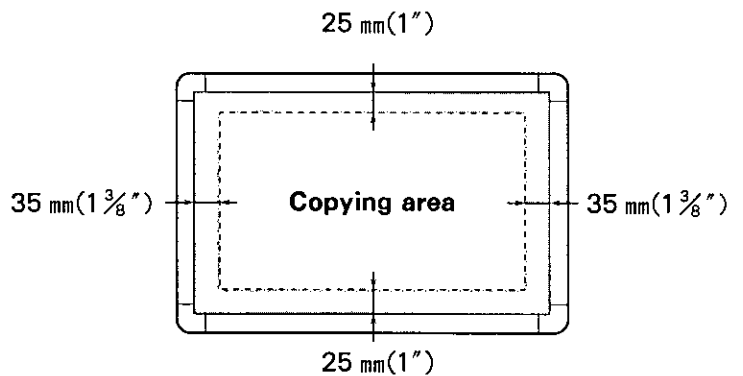
- Do not touch the screen, or erase it while it is moving.
- Do not leave writing on the screen for long periods of time.

Marker, eraser and copy paper

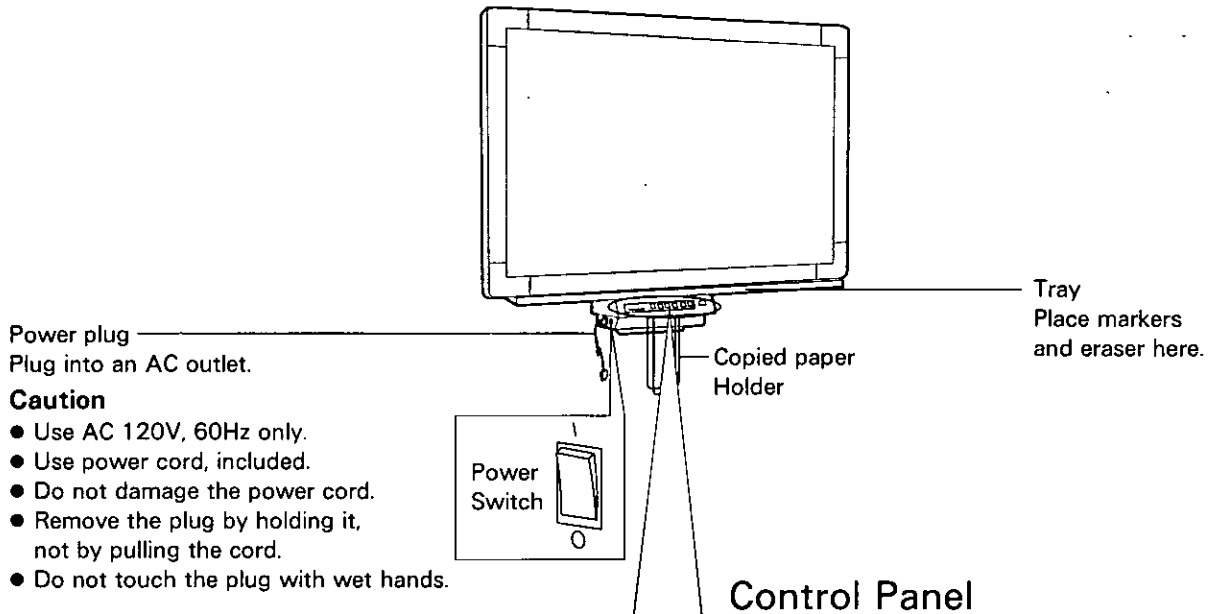
- Use only the included or designated marker, eraser and copy paper. (See "Specifications" on back cover.)
- Store a copy paper roll in a cool, dark, moisture free location.
- Do not store printed copies exposed to direct sunlight or high humidity, or inside vinyl chloride (plastic) files.
- For long-term storage, make another copy with an ordinary paper copier machine.

Film screen

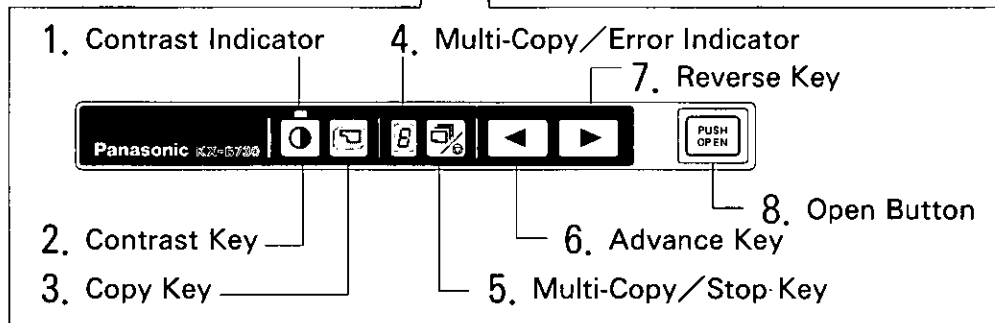
- Write with bold, dark strokes [over 1 mm (1/32")].
- The shaded areas are not copied.
- Do not affix chart paper to the film screen.



Operation



- Caution**
- Use AC 120V, 60Hz only.
 - Use power cord, included.
 - Do not damage the power cord.
 - Remove the plug by holding it, not by pulling the cord.
 - Do not touch the plug with wet hands.



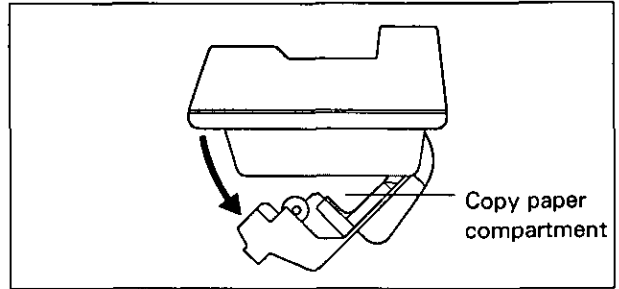
- 1, 2 **Contrast Indicator, Contrast Key**
- Indicator "off": Normal copy, "on": Darker copy.
 - Ruled line may be copied at the Darker position.
- 3 **Copy Key**
- Copies the currently displayed screen.
- When copying is finished, the next screen is displayed. With 4-screen continuous copying, the screen on which copying was started is displayed.
- 4 **Multi-Copy/Error Indicator**
- Displays the number of copies that will be made.
The display changes each time the multi-copy/stop key is pressed.
Example: 1 → 2 → ... → 9 → !! → 1 → ...
"!!" indicates 4-screen continuous copying. Also, displays a flashing code if an error occurs.
- 5 **Multi-Copy/Stop Key**
- To produce multiple copies, press this key until the desired number of copies is displayed on the multi-copy/error indicator. This key can also be pressed while multiple copies are being made to stop the copying process. The display indication changes while multiple copies are being made as shown below. After counting down to 0, the display is reset to 1.
- Example: 5 → 4 → 3 → 2 → 1 → 0 → 1 (during copying)
- For 4-screen continuous copying, keep pressing the key until "!!" appears in the multi-copy/error indicator. Also press the key to stop 4-screen continuous copying at any time. What is displayed for the number of screens changes during 4-screen continuous copying as shown below: after counting down to 0, the display is reset to 1. !! → !! → !! → !! → 0 → 1 (during 4-screen continuous copying)
- 6 **Advance Key**
- Advances the screen from right to left. When this key is pressed twice, two screens are advanced.
- 7 **Reverse Key**
- Advances the screen from left to right. When this key is pressed twice, two screens are advanced.
- 8 **Open Button**
- Press to open the printer door.

Loading the copy paper

■ Make sure the power switch is on.

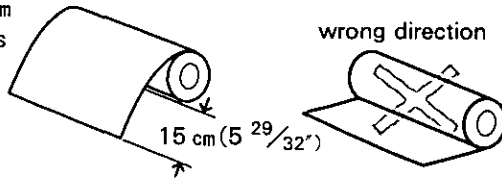
1 Press "PUSH OPEN" and open the door.

- If there is any copy paper remaining in the copy paper compartment, remove it.



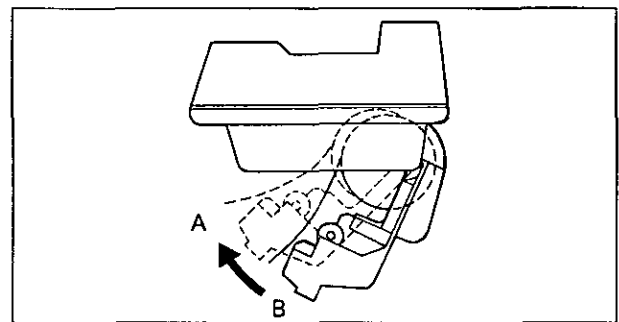
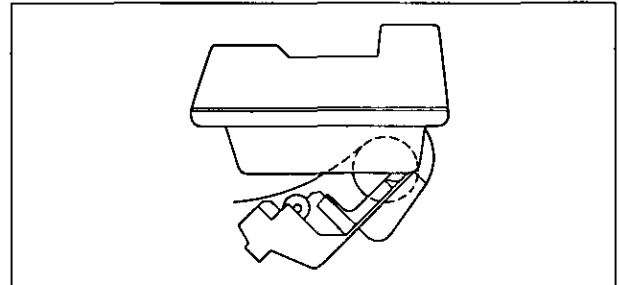
2 Load the copy paper roll.

Loosen 15 cm (5 29/32") as shown and load it.

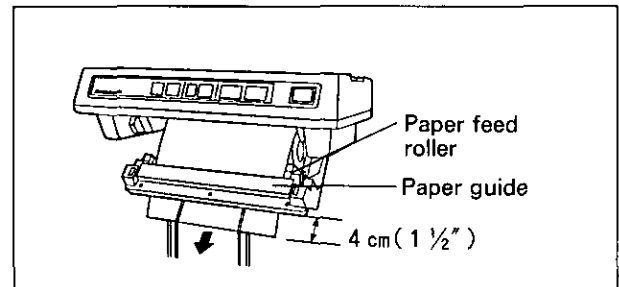


Note : To load 100m roll [Diameter : about 94 mm (3 11/16 inches)

Open until position B and load it, then to position A to prevent paper roll drop.

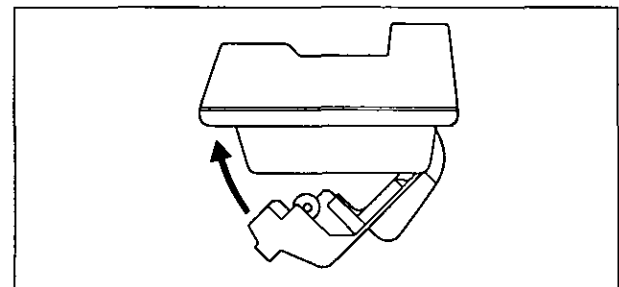


3 Pass the paper over the feed roller and under the paper guide, then through the printer slot about 4 cm (1 1/2 inches).



4 Close the printer door securely, using two hands.

Note : Once the door is closed, paper will feed and automatically cut. Remove and discard the small piece of paper.



■ Load a new roll when:

- Red bands become visible at the edge of the copy paper.
- The ERROR indicator "P" goes on and off even after the printer door is closed properly.
- Use copy paper rolls with a core diameter of 25.4 mm (1 inch) or more. Using a copy paper roll with a smaller core could cause paper jams.

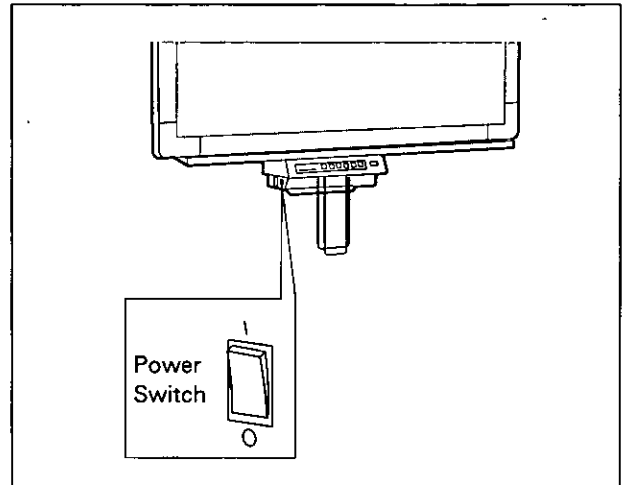
To make copies


1 Turn the power switch on by pressing the " | " side of the "power" switch.

- The unit is ready for use when "1" is displayed on the multi-copy/error indicator.

Note : The screen will move to home position and stop.

- Confirm the ERROR Indicator "P" is off.
(If not, refer to "Loading the copy paper".)
- When not in use, be sure to turn the power off.

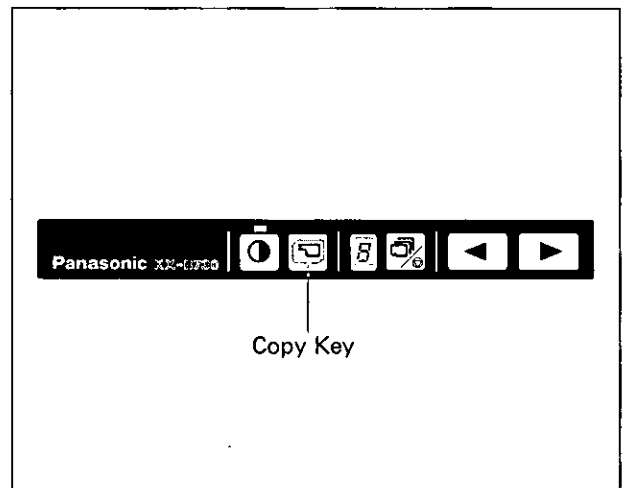


2 Press the Copy Key  to start the copy process.



- The text and pictures on the screen being displayed are copied.
- Copied paper Holder can hold up to 10 copies.

Note :

- Do not hold 11 copies or more, otherwise the paper may jam.
- While copying, do not touch the paper, otherwise the paper may jam.






<Making Multiple Copies (Maximum: 9)>

Use the multi-copy/stop key  to select the number of copies (1 - 9), then press the copy key .

To stop copying before the process is complete, press .

<Making Copies of 4 Screens Continuously>

Select "4" using the multi-copy/stop key , and then press the copy key . To stop the copying at any time, press .





<Making Copies of a Different Screen>

Use the advance key  or the reverse key  to display the desired screen, then press the copy key .

Troubleshooting

Symptom	Care and remedy
Power won't turn on.	Confirm the power plug is securely connected.
No copy paper emerges after the COPY Key is pressed.	Paper is exhausted. (ERROR indicator "P" goes on and off.) →Load new paper. (See p. 4)
	Printer door open. (ERROR indicator "P" goes on and off.) →Close the the door gently until a click is heard.
	Paper is jammed. →Remove the jammed paper and cut off the wrinkled portion, load paper again.
Nothing is printed on the paper. Copies are faint or blurred.	Confirm the paper is loaded correctly, smooth side face up. (See p. 4)
	Your writing is too thin or faint. →Write with thicker, darker strokes, or use a new marker.
	Printer door is slightly open. →Close the door gently until a click is heard.
Poorly defined stripes or unwanted lines appear on the copy.	The printer head is dirty. →Open the printer door and clean the printer head. (See p. 4 and 7)
Black lines appear on the copy.	The room temperature is 10°C (50°F) or lower. →After raising the temperature, turn the power off and then back on, then recopy.
The screen doesn't advance when the COPY or ADVANCE Key is pressed.	Static electricity is generated when cleaning. →Turn off the power and move the screen gently by hand.
Large amount of ink dust remains on the film screen.	Clean the screen. (See p. 7) →After cleaning, turn on the power switch once.
Power switch is on but the indicator is off.	Turn off the power switch and then on again.

*If problems still persist, call your dealer for service. To be referred to your local dealer, please call 1-800-447-4700.

Indication	Cause	Remedy
	No paper	Load the copy paper roll.
	Printer door is not closed securely.	Close the door securely.
	Printer can not cut the paper.	Open the printer door and clear the jammed paper.
	Screen does not move.	Try to move the screen by hand.
	The room temperature is 10°C (50°F) or lower.	Raise the room temperature.
	The fluorescent lamp is dead.	Call your dealer for service.

● If other indication appears, call your dealer.

Troubleshooting

■ To release jammed paper

1. Open the printer door.
2. Remove the jammed paper by pulling the paper roll to the direction A. If the jammed paper is still in the cutter cover, remove it using tweezers from slot B.
3. Cut the paper as shown in Fig. 1.
4. In case paper cannot go through, just put the paper on the paper feed roller as shown Fig. 2.
5. Close the printer door.

Note : Use copy paper rolls with a core diameter of 25.4 mm (1 inch) or more. Using a copy paper roll with a smaller core could cause paper jams.

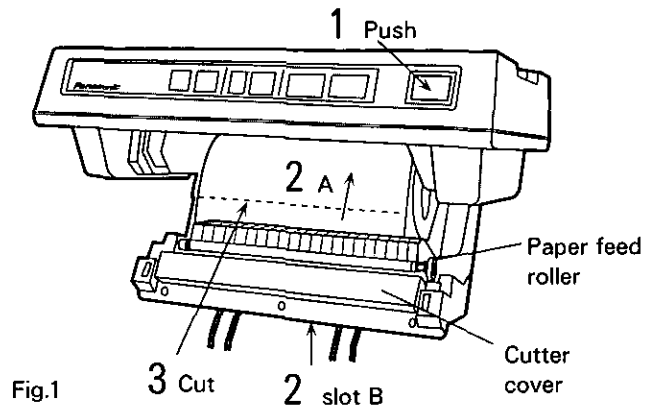


Fig.1

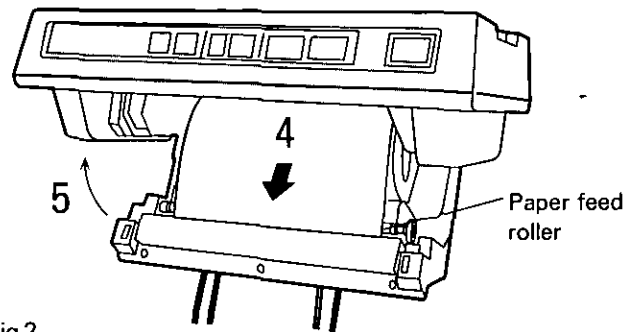


Fig.2

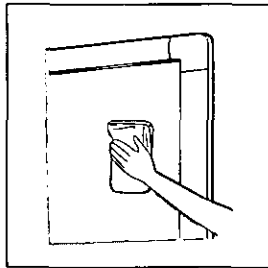
Care and cleaning

Be sure to turn off the power and unplug the power plug before cleaning.

■ Cleaning the film screen and the unit body

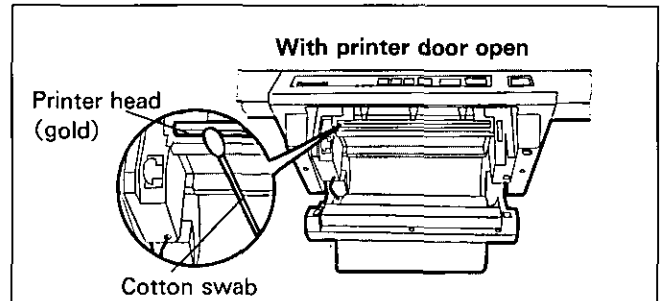
- Wipe gently with a soft cloth, which has been dipped in water and wrung out thoroughly.
- Never use thinner, benzine or detergent containing abrasives.
- Never wipe the screen with a dry cloth, since this may cause static electricity.

For hard stains, use a small amount of household detergent dissolved in water. For accidental writing with an oil marker, use a small amount of ethyl alcohol. Ensure that there is good ventilation.



■ Cleaning the print head

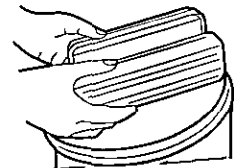
- Wipe gently with a cotton swab, dipped in ethyl alcohol.
- Never touch the printer head and its surrounding area with your fingers.



■ Cleaning the eraser

When the eraser becomes blackened with ink, remove the wiping portion as illustrated below, wash well with household detergent, then dry thoroughly in an area away from sunlight.

Reference:
Both sides can be used.



Specifications

Power Supply	AC 120 V, 60 Hz	
Power Consumption	1.7 A (operating), 0.1 A (stand by)	
Panel Dimensions	900 mm (H) × 1,400 mm (W) (2' 11 7/16" × 4' 7 1/8")	
Copy Area Dimensions	850 mm (H) × 1,330 mm (W) (2' 9 15/32" × 4' 4 3/8")	
Writing Panel surfaces	4 (endless type)	
Copy Method	CCD Image Sensor	
Paper Type	Heat-Sensitive Roll Paper (paper thickness: 65 μm, core diameter: 25.4 mm (1 inch) or more)	
Paper Size	216 mm × 279.4 mm (8 1/2" × 11")	
Copy Size on paper	186 mm × 270 mm (7 5/16" × 10 5/8")	
Copy Density	8 dots/mm (203 dots/inch)	
Copy Speed	1st Paper	from 2nd paper
	15-second	12-second
Writing Instruments	Dry erase felt-tipped markers (black, red, blue)	

Ambient Conditions	Temperature: 10°C (50°F) ~ 35°C (95°F) Humidity: 30~80% R.H.
Number of copies	1 ~ 9
Exterior Dimensions (without stand)	1,450 mm (H) × 1,645 mm (W) × 233 mm (D) (4' 9 3/32" × 5' 4 3/4" × 9 5/32")
Mass (Weight)	35 kg [35 kgf (77.2 lbs)]
Options	* 1 Stand: KX-B061M Wall-Mounting Kit: KX-B063
	* 2 Interface Board: KX-B09-V4 PC Interface software: KX-B091 Ruler Kit: KX-B05 * Marker: KX-B031 (black 10 pieces) KX-B032 (red 10 pieces) KX-B033 (blue 10 pieces) * Eraser: KX-B042 (6 pieces) * Marker Eraser Set: KX-B035 (Marker: black 1, red 1, blue 1) Eraser: 1 * May not be available in all areas.
Exterior Dimensions (with stand)	1,875 mm (H) × 1,645 mm (W) × 591 mm (D) (6' 1 13/16" × 5' 4 3/16" × 1' 11 1/4")

* 1 weight (stand): KX-B061M...10.9 kg (24 lbs)

* 2 Optional Printer can be connected to this unit using optional interface board (KX-B09-V4). Recommended printers are Panasonic KX-P6500 and KX-P4400.

Record these items for future reference

Model number: _____

Date of purchase: _____

Serial number: _____

Dealer's name: _____

Dealer's address: _____

These Operating Instructions are printed on recycled paper.

Panasonic Office Products Company
A Unit of Panasonic Communications & Systems Company
 Two Panasonic Way, Secaucus, New Jersey 07094

Printed in Malaysia

PBQX50186ZA K1296S0

Free Manuals Download Website

<http://myh66.com>

<http://usermanuals.us>

<http://www.somanuals.com>

<http://www.4manuals.cc>

<http://www.manual-lib.com>

<http://www.404manual.com>

<http://www.luxmanual.com>

<http://aubethermostatmanual.com>

Golf course search by state

<http://golfingnear.com>

Email search by domain

<http://emailbydomain.com>

Auto manuals search

<http://auto.somanuals.com>

TV manuals search

<http://tv.somanuals.com>