

Mini-Rack System and ClusterBoxes™

Models 1000R16, 1000CU2, 1000CU4, & 1000CU8

Multiple datacom devices fit side-by-side in our mini-rack and ultra-compact ClusterBoxes!



Our miniature rack cards have a unique design: front function cards and rear interface cards that connect together on a midplane power bus. This configuration allows interface cables to remain connected while function cards are hot-swapped (and vice versa). Each mini-rack and ClusterBox has a power supply that services all cards in the chassis. You can configure the mini-rack and ClusterBoxes with a

variety of function cards (short-range modems or SRMs, fiber modems, converters, etc.) and you can mix-and-match function cards with different interface cards.



16 ports fit a wide variety of Patton products—from CSU/DSUs to short-range modems to converters.

Choose from a variety of rear interfaces: DB-25, RJ-11, RJ-45, UD-26, etc.

FEATURES & BENEFITS

- ✓ Multi-function—Supports interface converters, CSUs, fiber modems and virtually all Patton mini-modems.
- ✓ Hot-swappable—Replace function cards *without turning off the power*.
- ✓ Reliable—Our distributed power system gives each rack card its own power supply circuit
- ✓ Flexible—Convenient rack mount and ClusterBox versions are available to meet your needs

SPECIFICATIONS

Environmental
 Op. Temp.: 32–122°F (0–50°C)
 Humidity: 5–90%, non-condensing

24 VDC Power
 Input Voltage: 18–36 VDC
 Input Current: 2A Max at 18 VDC
 Surge Protection: Triggered at 39 VDC
 Output Voltage: 12 VAC at 2A
 Output Power: 24 W
 LED indicators: Power, DC Input

48 VDC Power
 Input Voltage: 40–80 VDC
 Input Current: 1A Max at 40 VDC
 Surge Protection: Triggered at 75 VDC
 Output Voltage: 12 VAC at 2A
 Output Power: 24 W

LED indicators: Power, DC Input

120 VAC Power
 Input Voltage: 100–230 VAC
 Input Current: 400 mA
 Output Voltage: 10 VAC at 2.4 A
 Output Power: 24 W
 LED indicator: Power

220 VAC Power
 Input Voltage: 200–240 VAC
 Input Current: 200 mA
 Output Voltage: 10 VAC at 2.4 A
 Output Power: 24 W
 LED indicator: Power

Device type	Standalone Model	Compatible Rack Card	Rack Card (RC) Description (Configuration)	Page
Plug-in Short-Range Modems (SRM)	1000 Series	1000RC	Async SRM dual RC	79
	1004A Series	1004ARC	High speed multipoint dual RC	81
	1005 Series	1000RC	Async SRM dual RC	79
	1008 Series	1004ARC	High speed multipoint dual RC	81
	1009 Series	1000RC	Async SRM dual RC	79
	1010B Series	1010RC	Trans Isolated SRM dual RC	79
	1010R Series	1010RC	Trans Isolated SRM dual RC	79
	1012A Series	1012ARC	Async., multipoint SRM dual RC	82
	1015 Series	1000RC	Async SRM dual RC	79
	1016 Series	1010RC	Trans Isolated SRM dual RC	79
	1017 Series	1010RC	Trans Isolated SRM dual RC	79
	1018 Series	1018RC	SLIP/PPP SRM RC	85
	1019 Series	1010RC	Trans Isolated SRM dual RC	79
	1020 Series	1080ARC	57.6 Async./Sync. SRM RC	88
	1025 Series	1080ARC	57.6 Async./Sync. SRM RC	88
	1030 Series	1080ARC	57.6 Async./Sync. SRM RC	88
1035 Series	1045RC	32, 56 & 64 kbps Async./Sync. SRM RC	85	
1040 Series	1080ARC	57.6 Async./Sync. SRM RC	88	
1045 Series	1045RC	32, 56 & 64 kbps Async./Sync. SRM RC	85	

Device type	Standalone Model	Compatible Rack Card	Rack Card (RC) Description (Configuration)	Page
Powered Short-Range Modems (SRM)	1050 Series	1060RC	115.2 Async. SRM RC	86
	1060 Series	1060RC	115.2 Async. SRM RC	86
	1070 Series	1070RC	Sync. SRM RC	87
	1080A Series	1080ARC	57.6 Async./Sync. SRM RC	88
Fiber Modems	1110A Series	1110ARC	Fiber SRM RC	92
	1140A Series	1140ARC	Fiber Optic Modem w/V.54 Diagnostics	92
Converters & Modem Eliminators	1205 Series	1205RC	V.35 Sync. Modem Eliminator RC	91
	1206 Series	1206RC	X.21 Sync. Modem Eliminator RC	91
	2020 Series	2020RC	CCITT V.35 to RS-232 Converter RC	50
	2016 Series	2066RC	CCITT V.35 to X.21 Converter w/Buffer	49
	2085 Series	2085RC	RS-232 to RS-485 Converter dual RC	54
	2089 Series	2085RC	RS-232 to RS-485 Converter dual RC	54
	222N Series	222NRC	RS-232 to RS-422 Converter dual RC	56
	222N9 Series	222NRC	RS-232 to RS-422 Converter dual RC	56
	2703 Series	2703RC	2 Mbps G.703 Modem Access Converter	41



1000CU2—Our 2-Slot ClusterBox™ has about the same footprint as a standalone box, but gives you the flexibility of a rack.



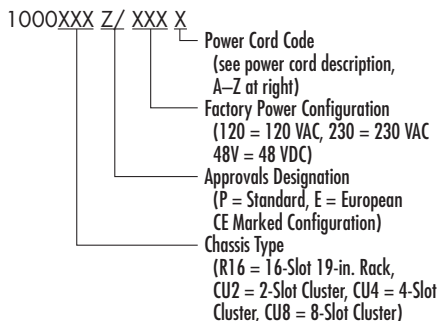
1000CU4—Our 4-slot ClusterBox™ is perfect for an office or workgroup connection. It services four to eight devices



1000CU8—When you don't need a full rack, our 8-slot ClusterBox™ gives you the power of up to 16 short hauls or converters in a single enclosure.

ORDERING INFORMATION

Factory part number encoding



Pre-Configured Rack Assemblies

Example 19-in. 2U rack chassis

1000R16P/120K: 120 VAC power module (includes power cord for U.S.A.)

1000R16E/230D: CE compliant, 230 VAC power module (includes power cord for U.K.)

1000R16P/230G: 230 VAC power module (includes power cord for India)

1000R16P/48V: 48 VDC Power Supply

1000R16P/24V: 24 VDC Power Supply

Example Desktop ClusterBoxes™

1000CU2P/120K: 2-Slot Cluster Unit with 120 VAC power module (includes power cord for U.S.A.)

1000CU2E/230D: 2-Slot Cluster Unit with CE compliant, 230 VAC power module (includes power cord for U.K.)

1000CU2P/48V: 2-Slot Cluster Unit with 48 VDC Power Supply

Rack System Parts

Empty Rack

1000R16P: 19-in. 16-Slot Rack Chassis Sub-Assembly

Empty Cluster Chassis

1000CU2: ClusterBox-II 2-Slot Desktop Cluster Sub-Assembly

1000CU4: ClusterBox-IV 4-Slot Desktop Cluster Sub-Assembly

1000CU8: ClusterBox-VIII 8-Slot Desktop Cluster Sub-Assembly

Rear Power Entry Modules

1000RPEM-DC: DC Rear Power Entry Module

1000RPEM-RDC: DC Redundant Rear Power Entry Module

1000RPEM: Standard 120/230 VAC Rear Power Entry Module

1000RPEM-V: CE Compliant 120/240 VAC Rear Power Entry Module

Front Power Supply Modules

1000RPSM-2: 120/230 VAC Front Power Supply Module

1000RPSM-V: CE Compliant Front Power Supply Module

1000RPSM-48A: 48 VDC Front Power Supply Module

1000RPSM-R48A: 48 VDC Redundant Front Power Supply Module (2 Required)

1000RPSM-24A: 24 VDC Front Power Supply Module

1000RPSM-12A: 12 VDC Front Power Supply Module

Power cord sets

0805US: "K" American Power Cord

0805EUR: "A" European Power Cord CEE 7

0805UK: "D" United Kingdom Power Cord

0805AUS: "C" Australia Power Cord

0805DEN: "E" Denmark Power Cord

0805FR: "F" France/Belgium Power Cord

0805IN: "G" India Power Cord

0805IS: "H" Israel Power Cord

0805JAP: "J" Japan Power Cord

0805SW: "L" Switzerland Power Cord

Spare parts, hardware, fuses, panels

05R16FPB1: Single-width Blank Front Panel

05R16FPB4: 4-Slot-Wide Blank Front Panel

05R16RPB1: Single-Width Blank Rear Panel

05R16RPB4: 4-Slot-Wide Blank Rear Panel

0821R4: Fuse, 0.4A (5x20mm)

0821R2: Fuse, 0.2A (5x20mm)

056S1: 16 #4 pan head screws & washers



I'm Brian, one of Patton's Product Validation Engineers who makes sure your mini-rack product works reliably. To buy one of these state-of-the-art devices, call +1 301.975.1000 or send e-mail to sales@patton.com.

visit us online
www.patton.com

FAST Delivery From Your AUTHORIZED DISTRIBUTOR!



10 and 2-Slot Universal Mounting Panels

Models 1001MP10 & 1001MP2

Rack, stack, and organize up to 10 Patton devices with these multi-functional mounting panels.



Model 1001MP10

The Model 1001MP10 Universal Mounting Panel offers the ability to rack up to 10 Patton products side by side. Products that are compatible with the 1001MP10 and 1001MP2 include Ethernet Extenders, xDSL modems, short range modems, NTUs, and much more!



Model 1001MP2

The Model 1001MP10's sturdy 4U design easily installs into any standard 19-inch rack. A combination of a unique groove system and an easily installed back panel enables the 1001MP10 to securely lock the individual Patton modems and their power supplies. For lower density applications, the Model 1001MP2 offers a 1.5U-high, 2-slot panel.



1001MP10 rear view

10 rear slots for device power supplies

The Model 1001MP series offers a convenient method for converting your favorite Patton standalone product into a rack-mounted solution.

FEATURES & BENEFITS

- ✓ **Multi-Functionality**— Supports NTUs, xDSL Modems, Short Range Modems, and Ethernet Extenders.
- ✓ **Independent Slots**— Up to 10 independently operating slots to completely do away with any single point of failures.
- ✓ **Rackmount**— Both Universal Mounting Panels fit into any 19-in. rack. The 10-slot panel is only 4U (7 in./17.78 cm) high. The 2-slot is 1.5U (2.63 in./6.68 cm) high.
- ✓ **Cost-Effective**— Rack-mount products you have already purchased.

I'm John, one of Patton's Product Group Managers. If you do not find what you need at www.patton.com or in this catalog please call me at +1 301.975.1000, x160. You can also send e-mail to jgrant@patton.com.

Patton Product Compatibility Table

xDSL Modems	E1/T1 Network Extenders	E1/T1 NTU	Ethernet Extenders	Serial Short-Range Modems
1082: iDSL Modem	2113: T-Link E1 Extender	2701 Series: G.703/G.704 FE1/E1 NTU	2155: 144 kbps CopperLink Extender	1060: RS-232 115.2 kbps Asynchronous SRM
3088: G.SHDSL Modem	2115: T-Link T1 Extender	2707 Series: G.703 Clear Channel E1 NTU	2156: 2.3 Mbps CopperLink Extender	1070: RS-232 19.2 kbps Synchronous SRM
3201: 2.3 Mbps G.SHDSL Router		2720 Series: T1/FT1 NTU	2157: 4.6 Mbps CopperLink Extender	1080A: RS-232 57.6 kbps Async/Sync SRM
3241: 4.6 Mbps G.SHDSL Router			2158: 10 Mbps CopperLink Extender	1080A-64: RS-232 64 kbps Async/Sync SRM
1068: VDSL Modem			2168: 16 Mbps CopperLink Extender	1226: Parallel 115.2 kbps SRM
			2172: 50 Mbps CopperLink Extender	1075: X.21 64 kbps Sync SRM
				1226: RS-232 38.4 kbps Async SRM

SPECIFICATIONS

1001MP10

Front Panel: 10 independently operating slots
Dimensions: 19 L x 6.75 W x 7 H in. (48.3 L x 17.15 W x 17.78 H cm)
Weight: 4.15 lbs (1.90 kg)

1001MP2

Front Panel: 2 independently operating slots
Dimensions: 19.0 W x 2.63 H x 1.9 D in. (48.3 W x 6.68 H x 4.8 D cm)
Weight: 2 lbs (0.95 kg)

ORDERING INFORMATION

- 1001MP2:** 19-in. Horizontal 2-Slot Rack
- 1001MP10:** 19-in. Vertical 10-Slot Rack



FAST Delivery From Your AUTHORIZED DISTRIBUTOR!

visit us online
www.patton.com

16-Slot Universal Mounting Panel

Model 1001MP16

Rack, stack, and organize with Patton's Multi-Functional Universal Mounting Panel. Rack up to 16 Patton MicroPak Devices into a dense 2U solution.



Rack-Mount any of Patton's MicroPak Products

FEATURES & BENEFITS

- ✓ Mount any MicroPak—Supports media converters, terminal servers, Ethernet bridges, fiber modems, CSU/DSUs, interface converters, short haul modems, and surge protectors
- ✓ Low Profile-2U High—Universal Mounting Panel is only 2U (3.5 in. or 8.9 cm) high and holds up to 16 MicroPaks; Installs quickly into any standard 19 inch rack
- ✓ Dry-erase label blocks and port identification numbers for easy circuit identification
- ✓ Cost Effective—Adapt Patton MicroPak products you already own for use in a standard 19 inch rack, thereby eliminating the expense of upgrading to rack-mounted equipment

The Model 1001MP16 Universal Mounting Panel offers the ability to rack-mount any of Patton's MicroPak products side-by-side. Products that are compatible with the 1001MP16 include Device servers, Media converters, Ethernet bridges, Fiber modems, Interface converters, and many more!



The sturdy 2U design of the 1001MP16 enables quick and hassle-free installation into any standard 19-inch rack. The 1001MP16's unique bracket-and-groove mounting system enables Patton MicroPak cases to be mounted securely into the panel. Dry-erase labels and individually numbered ports are provided for easy circuit/port identification.

The Model 1001MP16 provides an economical method for converting your favorite Patton standalone MicroPak products into a customized rack-mounted solution.



Unique bracket-and-groove system fastens the MicroPak securely into the panel

Patton Product Compatibility Table

VoIP Micro-ATAs & AFAs		Device Servers		Serial Modems		Surge Protectors	
M-ATA	M-AFA	2120 Series	2120/A9	1000R Series	1012AR Series	503PC	570 Series
				1007 Series	1017 Series	534 Series	580 Series
				1010R Series	1052 Series	547 Series	552 Series
Serial/Parallel Converters		Ethernet Bridges		Data Taps		Interface Converters	
2026P	2036P	2121 Series	2135C Series	3/11	3/45	1104 Series	2086 Series
		2124 Series	2135 Series			2016 Series	2070 Series
		2130 Series				2021 Series	2702 Series
						2040 Series	2090 Series
						2041 Series	2094 Series
						2042 Series	
Baluns		CSU/DSUs		Modem Eliminators		and many more...	
460 Series	470 Series	2710 Series	2715 Series	1205 Series	1206		
462 Series	471 Series	2711 Series	2400 Series				
463 Series	472 Series						
465 Series							

SPECIFICATIONS

Front panel: 16 Operationally independent slots
Dimensions: 19L x 1.5W x 3.8H in. (48.3L x 3.8W x 8.9H cm)
Weight: 1.1 lbs (0.5 kg)

Latching: 16 individual steel clips with hardware (Included with unit)
Power: None required. Some units may require individual power supplies

ORDERING INFORMATION

1001MP16: 19-inch, 16-Slot Mounting Panel
1001MP-PS8: 8-Barrel 5V, 4A Power Supply

Free Manuals Download Website

<http://myh66.com>

<http://usermanuals.us>

<http://www.somanuals.com>

<http://www.4manuals.cc>

<http://www.manual-lib.com>

<http://www.404manual.com>

<http://www.luxmanual.com>

<http://aubethermostatmanual.com>

Golf course search by state

<http://golfingnear.com>

Email search by domain

<http://emailbydomain.com>

Auto manuals search

<http://auto.somanuals.com>

TV manuals search

<http://tv.somanuals.com>