

KB/A™ 300

KEYBOARD / ACOUSTIC
AMPLIFIER



OPERATING GUIDE





Intended to alert the user to the presence of uninsulated "dangerous voltage" within the product's enclosure that may be of sufficient magnitude to constitute a risk of electric shock to persons.



Intended to alert the user of the presence of important operating and maintenance (servicing) instructions in the literature accompanying the product.

CAUTION: Risk of electrical shock – DO NOT OPEN!

CAUTION: To reduce the risk of electric shock, do not remove cover. No user serviceable parts inside. Refer servicing to qualified service personnel.

WARNING: To prevent electrical shock or fire hazard, do not expose this appliance to rain or moisture. Before using this appliance, read the operating guide for further warnings.



Este símbolo tiene el propósito de alertar al usuario de la presencia de "(voltaje) peligroso" que no tiene aislamiento dentro de la caja del producto que puede tener una magnitud suficiente como para constituir riesgo de corrientazo.



Este símbolo tiene el propósito de alertar al usuario de la presencia de instrucciones importantes sobre la operación y mantenimiento en la literatura que viene con el producto.

PRECAUCION: Riesgo de corrientazo – No abra.

PRECAUCION: Para disminuir el riesgo de corrientazo, no abra la cubierta. No hay piezas adentro que el usuario pueda reparar. Deje todo mantenimiento a los técnicos calificados.

ADVERTENCIA: Para evitar corrientazos o peligro de incendio, no deje expuesto a la lluvia o humedad este aparato. Antes de usar este aparato, lea más advertencias en la guía de operación.



Ce symbole est utilisé pour indiquer à l'utilisateur la présence à l'intérieur de ce produit de tension non-isolée dangereuse pouvant être d'intensité suffisante pour constituer un risque de choc électrique.



Ce symbole est utilisé pour indiquer à l'utilisateur qu'il ou qu'elle trouvera d'importantes instructions sur l'utilisation et l'entretien (service) de l'appareil dans la littérature accompagnant le produit.

ATTENTION: Risques de choc électrique – NE PAS OUVRIR!

ATTENTION: Afin de réduire le risque de choc électrique, ne pas enlever le couvercle. Il ne se trouve à l'intérieur aucune pièce pouvant être réparée par l'utilisateur. Confier l'entretien à un personnel qualifié.

AVERTISSEMENT: Afin de prévenir les risques de décharge électrique ou de feu, n'exposez pas cet appareil à la pluie ou à l'humidité. Avant d'utiliser cet appareil, lisez les avertissements supplémentaires situés dans le guide.



Dieses Symbol soll den Anwender vor unisolierten gefährlichen Spannungen innerhalb des Gehäuses warnen, die von Ausreichender Stärke sind, um einen elektrischen Schlag verursachen zu können.



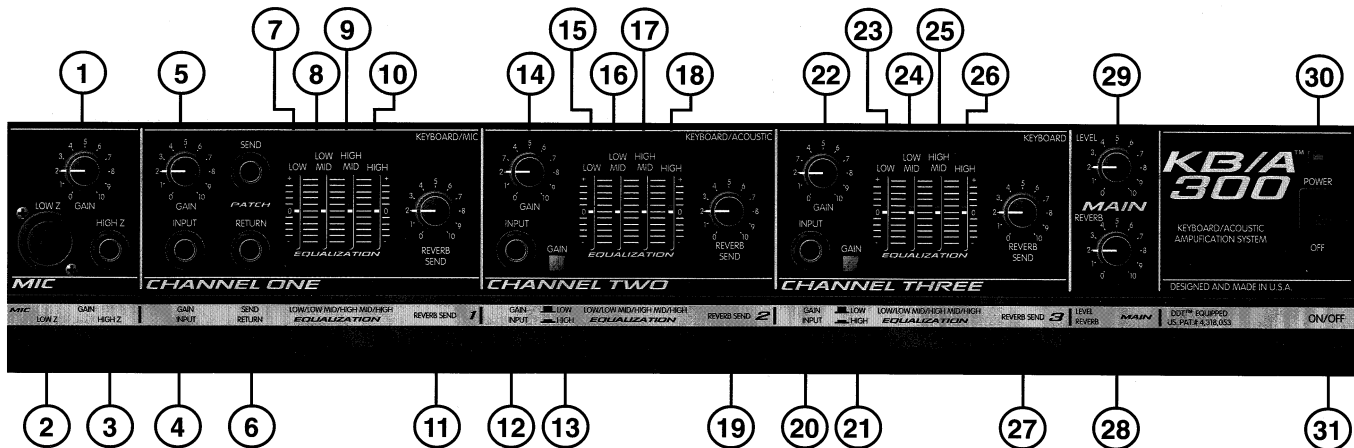
Dieses Symbol soll den Benutzer auf wichtige Instruktionen in der Bedienungsanleitung aufmerksam machen, die Handhabung und Wartung des Produkts betreffen.

VORSICHT: Risiko – Elektrischer Schlag! Nicht öffnen!

VORSICHT: Um das Risiko eines elektrischen Schlages zu vermeiden, nicht die Abdeckung entfernen. Es befinden sich keine Teile darin, die vom Anwender repariert werden könnten. Reparaturen nur von qualifiziertem Fachpersonal durchführen lassen.

ACHTUNG: Um einen elektrischen Schlag oder Feuergefahr zu vermeiden, sollte dieses Gerät nicht dem Regen oder Feuchtigkeit ausgesetzt werden. Vor Inbetriebnahme unbedingt die Bedienungsanleitung lesen.

ENGLISH



Thank you for selecting the KB/A™ 300 keyboard/acoustic amplification system! Once again, Peavey engineers have listened to input from keyboard players and put together a system that combines excellent features and sound in a portable, stylish package. When keyboardists said, “We want a better defined high-end,” Peavey engineers said, “DONE!”. In addition to a new compression driver, the crossover has been “re-tweaked” to perfection. The new KB/A™ series amplifiers also deliver awesome sound for drum machines and acoustic instruments. From thundering bass to crystal highs, it’s all there. For the full scoop, check out the features below.

FRONT PANEL FEATURES

MIC CHANNEL:

GAIN (1)

Controls the microphone’s input level.

LOW-Z INPUT (2)

For use with low-impedance microphones or low-level sources equipped with a male XLR connector.

HIGH-Z INPUT (3)

For use with high-impedance microphones or high-level sources equipped with a 1/4" phone plug.

CHANNEL ONE:

HIGH-Z INPUT (4)

A 1/4" phone jack input is provided with extremely “wide” dynamic range. This input will accept very high-level signals generated by synthesized keyboard systems or very low signals generated by practice or home keyboard units.

GAIN (5)

Controls the Channel One 1/4" phone jack input level.

PRE EQ PATCH JACKS (6)

Provided for connecting external effects devices into the signal path. To patch an effects device, connect the Send jack to the input of the device. Connect the output of the device to the Return jack. High-quality, shielded cables should be used for these connections.

LOW EQ SLIDER (7)

An active tone control (Shelving type, ± 15 dB) that varies the low frequency range.

Caution: Excessive low-frequency boost causes greater power consumption and increases possibility of speaker damage.

LOW/MID EQ SLIDER (8)

An active tone control (Peak/notch, ± 12 dB) that varies the low/mid frequency range.

HIGH/MID EQ SLIDER (9)

An active tone control (Peak/notch, ± 12 dB) that varies the high/mid frequency range.

HIGH EQ SLIDER (10)

An active tone control (Shelving type, ± 15 dB) that varies the high frequency range.

REVERB SEND (11)

Sets the level of the internal reverb (echo effect) for the channel and must be used in conjunction with the Master Effects level.

CHANNEL TWO:

HIGH-Z INPUT (12)

A $\frac{1}{4}$ " phone jack input is provided with extremely "wide" dynamic range. This input will accept very high-level signals generated by synthesized keyboard systems or very low signals generated by practice or home keyboard units. This input is also for acoustic guitars and can be muted with a footswitch (optional).

GAIN SWITCH (13)

Boosts the gain of its channel by 12 dB. Depress to the "in" position to activate.

GAIN (14)

Controls the Channel Two $\frac{1}{4}$ " phone jack input level.

LOW EQ SLIDER (15)

An active tone control (Shelving type, ± 15 dB) that varies the low frequency range.

Caution: Excessive low-frequency boost causes greater power consumption and increases possibility of speaker damage.

LOW/MID EQ SLIDER (16)

An active tone control (Peak/notch, ± 12 dB) that varies the low/mid frequency range.

HIGH/MID EQ SLIDER (17)

An active tone control (Peak/notch, ± 12 dB) that varies the high/mid frequency range.

HIGH EQ SLIDER (18)

An active tone control (Shelving type, ± 15 dB) that varies the high frequency range.

REVERB SEND (19)

Sets the level of the internal reverb (echo effect) for the channel and must be used in conjunction with the Master Effects level.

CHANNEL THREE:

HIGH-Z INPUT (20)

A $\frac{1}{4}$ " phone jack input is provided with extremely "wide" dynamic range. This input will accept very high-level signals generated by synthesized keyboard systems or very low signals generated by practice or home keyboard units.

GAIN SWITCH (21)

Boosts the gain of its channel by 12 dB. Depress to the "in" position to activate.

GAIN (22)

Controls the Channel Three 1/4" phone jack input level.

LOW EQ SLIDER (23)

An active tone control (Shelving type, ±15 dB) that varies the low frequency range.

Caution: Excessive low-frequency boost causes greater power consumption and increases possibility of speaker damage.

LOW/MID EQ SLIDER (24)

An active tone control (Peak/notch, ±12 dB) that varies the low/mid frequency range.

HIGH/MID EQ SLIDER (25)

An active tone control (Peak/notch, ±12 dB) that varies the high/mid frequency range.

HIGH EQ SLIDER (26)

An active tone control (Shelving type, ±15 dB) that varies the high frequency range.

REVERB SEND (27)

Sets the level of the internal reverb (echo effect) for the channel and must be used in conjunction with the Master Effects level.

MASTER:

MAIN REVERB (28)

Determines the overall effects level supplied to the internal reverb unit. This control works in conjunction with the Channel Reverb controls.

MAIN LEVEL (29)

Controls the volume level of the enclosure.

POWER LED (30)

Illuminates red when AC power is being supplied to the amp.

POWER SWITCH (31)

Depress the switch to the "on" position. The red LED will illuminate indicating power is being supplied to the unit.

Back Panel:



BACK PANEL FEATURES

LINE CORD — 120 V products only (32)



For your safety, we have incorporated a 3-wire line (mains) cable with proper grounding facilities. It is not advisable to remove the ground pin under any circumstances. If it is necessary to use the equipment without proper grounding facilities, suitable grounding adapters should be used. Less noise and greatly reduced shock hazard exists when the unit is operated with properly grounded receptacles.

GROUND SWITCH (33)

Three-position, rocker-type switch which, in most applications, should be operated in its center or zero position. There may be some situations when audible hum and/or noise will come from the loudspeaker. If this situation arises, position the ground switch to either positive or negative (+ or -), or until the noise is minimized.

Note: Should the noise problem continue, consult your Authorized Peavey Dealer, the Peavey factory, or a qualified service technician. THE GROUND SWITCH IS NOT FUNCTIONAL ON 220/240 VOLT MODELS.

PREAMP OUT/POWER AMP IN JACKS (34)

These jacks are provided for in-line patching of effects devices. To patch an effects unit, connect the Preamp Output to the input of the device. Next, connect the output of the device to the Power Amp Input (high-quality shielded cables must be used for these connections). The Preamp Output can also be used to route the amplified signal to a mixing console, tape recorder, etc. Connect the Preamp Output, using a shielded cable, to an input of the tape recorder, mixer, etc. This patch does not affect the operation of the amplifier.

Note: The preamp output level is approximately 1 volt RMS and is of relatively low impedance (600 ohms). Any effects device used in this effects loop must be capable of receiving 1 volt input and providing 1 volt output in order to properly drive the power amp. The Power Amp Input has an internal switch which disconnects the internal preamp.

LINE OUT (35)

Routes the signal directly to mixing/recording consoles using special EQ to simulate loudspeaker response. A shielded cable must be used for this connection. Refer to Specification Section.

RECORD OUT LEFT AND RIGHT (36)

RCA jacks are provided for recording directly from the main signal. The signal at this point is divided into dual outputs (left and right).

REMOTE SWITCH JACK (37)

For connection of a footswitch (optional) and is used to activate/defeat reverb.

CHANNEL TWO MUTE (38)

For connection of a footswitch (optional) and is used to activate/defeat the mute on Channel 2.

SPECIFICATIONS

POWER AMPLIFIER SECTION

Rated Power and Load:

150 W RMS into 4 ohms with DDT™ compression

Power @ Clipping: (typically)

(1 kHz, 120 V AC line)

155 W RMS into 4 ohms @ 1% THD

156 W RMS into 4 ohms @ 5% THD

Frequency Response:

+0, -2 dB, 30 Hz to 30 kHz, @ 140 W RMS into 4 ohms

Total Harmonic Distortion:

Less than 0.2%, 100 mW to 140 W RMS, 30 Hz to 10 kHz,
4 ohms, typically below 0.1%

DDT™ Dynamic Range:

Greater than 20 dB

DDT™ Maximum THD:

Below 0.6% THD for 6 dB overload

Below 1% THD for 16 dB overload

Hum & Noise:

Greater than 90 dB below rated power

Power Consumption:

400 W at 120 V AC, 50/60 Hz, Domestic

400 W at 220-230/240 V AC, 60 Hz, Export

PREAMP SECTION

The following specs are measured at 1 kHz with all EQs flat at 0 dB; Main Reverb set at 0 and Main Level set at 5.

Nominal values are with Level at 5. Minimum values are with Level at 10.

Low-Z Microphone Input:

Input Impedance: 3.3 K ohms

Nominal Input Level: -25 dBV, 56 mV RMS

Minimum Input Level: -40 dBV, 10 mV RMS

High-Z Microphone Input:

Input Impedance: 47 K ohms

Nominal Input Level: -3 dBV, 708 mV RMS

Minimum Input Level: -20 dBV, 100 mV RMS

Channel One Input:

Input Impedance: 33 K ohms

Nominal Input Level: -7 dBV, 447 mV RMS

Minimum Input Level: -22 dBV, 79 mV RMS

Channel Two & Channel Three Input:

Input Impedance: 220 K ohms

Nominal Input Level: -10 dBV, 316 mV RMS

Minimum Input Level: -38 dBV, 13 mV RMS

Pre EQ Patch Out (Send):

Function: Line-level effects send

Nominal Output Level: 0 dBV, 1 V RMS

Pre EQ Patch In (Return):

Function: Line level effects return

Nominal Input Level: 0 dBV, 1 V RMS

Channel Two Mute:

Greater than -50 dB

Line Out: (1/4" Phone Jack)

Function: Line level post EQ send

Load Impedance: 10 K ohms or greater

Nominal Output Level: 0 dBV, 1 V RMS

(at the DDT limit of 150 W RMS output)

Maximum Output Level: 6 dBV, 2 V RMS

Record Output: (Dual RCA Jack, Mono Signal)

Function: Source for external recorder

Load Impedance: 10 K ohms or greater

Nominal Output Level: 0 dBV, 1 V RMS

(at the DDT limit of 150 W RMS output)

Maximum Output Level: 6 dBV, 2 V RMS

Preamp Output: (1/4" Phone Jack)

Function: High level post EQ send

Load Impedance: 1 K ohm or greater

Nominal Output Level: 0 dBV, 1 V RMS

(at the DDT limit of 150 W RMS output)

Maximum Output Level: +18 dBV, 8 V RMS

Power Amp Input: (1/4" Phone Jack)

Function: High level post EQ return

Input Impedance: 22 K ohms

Nominal Input Level: 0 dBV, 1 V RMS

(Switching jack providing preamp output to power amp input connection when not used)

Reverb Switch: (1/4" Phone Jack)

Function: Reverb defeat footswitch

Channel Two Mute:

Function: Channel Two mute footswitch

Greater than -50 dB

The following specs are measured at nominal setting. All phone jack inputs are terminated with 47 k ohms.

Frequency Response:

(Channel input/preamp output at 1 V RMS level)

+0, -2 dB, 40 Hz to 20 kHz

System Distortion:

(Channel in/preamp out, 40 Hz to 20 kHz at 1 V RMS)

Less than 0.05% THD, typically below 0.01%

Preamp Hum and Noise:

-85 dBV

Channel Equalization:

±15 dB at 80 Hz and 10 kHz, Shelving

±12 dB at 400 Hz and 2 kHz, Peak/notch

Dimensions & Weight:

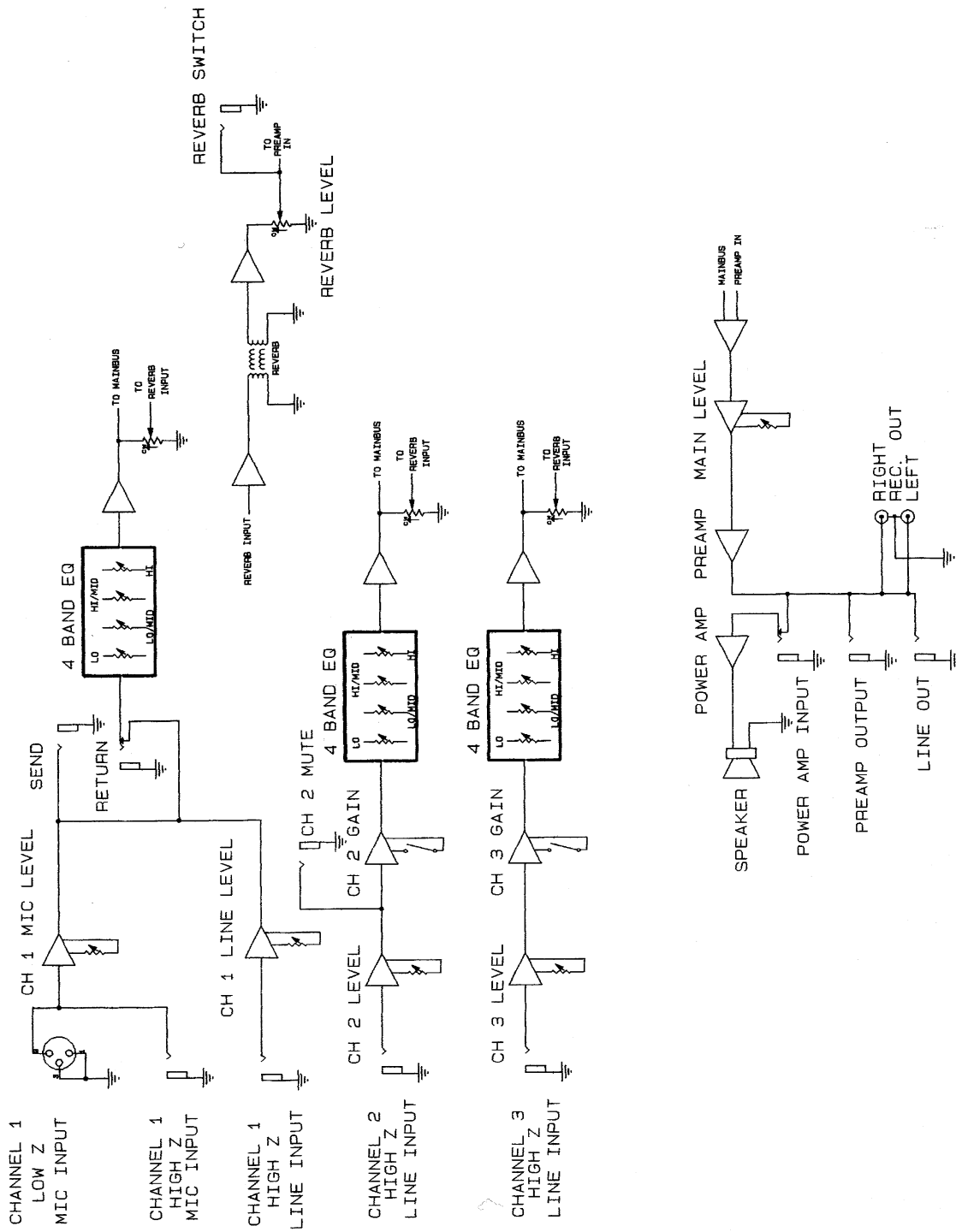
26.50" H x 25.125" W x 17.375" D

86.80 lbs.



*Due to our efforts for constant improvements,
features and specifications listed herein are subject to change without notice.*

Flowchart



This flowchart illustrates signal flow within the unit. In order to thoroughly understand the unit's functions, please study this diagram carefully.

ESPAÑOL

Consulte los diagramas del panel delantero en la sección de inglés de este manual.

¡Gracias por haber elegido el sistema de amplificación teclado/acústica KB/A™ 300! Respondiendo una vez más a las solicitudes de los tecladistas, los ingenieros de Peavey configuraron un sistema que combina excelencia de funciones y sonidos en una unidad portátil de atractivo diseño. Cuando los tecladistas exigieron una mejor definición del espectro de agudos, los ingenieros respondieron con un nuevo sistema. Además de un nuevo amplificador excitador de compresión, el cruce de cero de la señal es ahora perfecto. Los nuevos amplificadores de la serie KB/A™ proporcionan además un sonido excepcional para baterías electrónicas e instrumentos acústicos. Desde bajos resonantes hasta agudos cristalinos, el espectro sonoro es completo. Los detalles adicionales se brindan en las siguientes especificaciones.

FUNCIONES TABLERO FRONTAL

CANAL DE MICRÓFONO:

GAIN (Ganancia) (1)

Controla el nivel de la entrada de micrófono.

LOW-Z INPUT (Entrada de baja impedancia) (2)

Se usa con micrófonos de baja impedancia o fuentes de señales de bajo nivel, suministrados de un conector "XLR".

HIGH-Z INPUT (Entrada de alta impedancia) (3)

Se usa con micrófonos de alta impedancia o fuentes de señales de alto nivel, equipados con una clavija monofónica de 1/4" de pulgada.

CANAL UNO:

HIGH-Z INPUT (Entrada de alta impedancia) (4)

Se suministran un enchufe hembra de entrada de 1/4" de pulgada con una variación dinámica extremadamente "amplia". Esta entrada aceptará tanto señales de muy alto nivel, generadas por un equipo de teclados sintetizados, como señales muy bajas, generadas por teclados de aprendizaje o teclados sencillos de aficionados.

GAIN (Ganancia) (5)

Controla el nivel de entrada del conector de clavija de 1/4" pulg. correspondiente al canal 1.

PRE EQ PATCH JACKS (Conectores para parches de preecualización) (6)

Permiten conectar efectos externos en el trayecto de la señal. Para hacer un patch con un dispositivo de efectos, conecte el conector Send (señal enviada) a la entrada del dispositivo. Luego, conecte la salida del dispositivo a la entrada Return (retorno de señal). Para todas estas conexiones se recomienda utilizar cables con blindaje.

LOW EQ SLIDER (Ecuador de frecuencias bajas) (7)

Control de tono activo (tipo "repisa", ± 15 dB) que varía la gama de frecuencias bajas.

Precaucion: Un impulso excesivo a las frecuencias bajas produce mayor consumo de potencia y aumenta la posibilidad de dañar el altavoz.

LOW/MID EQ SLIDER (Ecuador de frecuencias bajas/medias) (8)

Control de tono activo (cima/gradual, ± 12 dB) que varía la gama de frecuencias de bajas/medias.

HIGH/MID EQ SLIDER (Ecuador de frecuencias agudas/medias) (9)

Control de tono activo (cima/gradual, ± 12 dB) que varía la gama de frecuencias de agudas/medias.

HIGH EQ SLIDER (Ecuador de frecuencias agudas) (10)

Control de tono activo (tipo "repisa", ± 15 dB) que varía la gama de frecuencias agudas.

REVERB SEND (Control de reverberación) (11)

Establece el nivel de la reverberación interna (efecto eco) para el canal y debe usarse conjuntamente con el control general de nivel de efectos.

CANAL DOS:**HIGH-Z INPUT (Entrada de alta impedancia) (12)**

Se suministran un enchufe hembra de entrada de $\frac{1}{4}$ " de pulgada con una variación dinámica extremadamente "amplia". Esta entrada aceptará tanto señales de muy alto nivel, generadas por un equipo de teclados sintetizados, como señales muy bajas, generadas por teclados de aprendizaje o teclados sencillos de aficionados. Permite conectar guitarras acústicas y puede silenciarse con un interruptor de pedal (opcional).

GAIN SWITCH (Interruptor de ganancia) (13)

Aumenta la ganancia del canal en 12 dB. Se activa en la posición hacia adentro.

GAIN (Ganancia) (14)

Controla el nivel de entrada del conector de clavija de $\frac{1}{4}$ " pulg. correspondiente al canal 2.

LOW EQ SLIDER (Ecuador de frecuencias bajas) (15)

Control de tono activo (tipo "repisa", ± 15 dB) que varía la gama de frecuencias bajas.

Precaucion: Un impulso excesivo a las frecuencias bajas produce mayor consumo de potencia y aumenta la posibilidad de dañar el altavoz.

LOW/MID EQ SLIDER (Ecuador de frecuencias bajas/medias) (16)

Control de tono activo (cima/gradual, ± 12 dB) que varía la gama de frecuencias de bajas/medias.

HIGH/MID EQ SLIDER (Ecuador de frecuencias agudas/medias) (17)

Control de tono activo (cima/gradual, ± 12 dB) que varía la gama de frecuencias de agudas/medias.

HIGH EQ SLIDER (Ecuador de frecuencias agudas) (18)

Control de tono activo (tipo "repisa", ± 15 dB) que varía la gama de frecuencias agudas.

REVERB SEND (Control de reverberación) (19)

Establece el nivel de la reverberación interna (efecto eco) para el canal y debe usarse conjuntamente con el control general de nivel de efectos.

CANAL TRES:**HIGH-Z INPUT (Entrada de alta impedancia) (20)**

Se suministran un enchufe hembra de entrada de $\frac{1}{4}$ " de pulgada con una variación dinámica extremadamente "amplia". Esta entrada aceptará tanto señales de muy alto nivel, generadas por un equipo de teclados sintetizados, como señales muy bajas, generadas por teclados de aprendizaje o teclados sencillos de aficionados.

GAIN SWITCH (Interruptor de ganancia) (21)

Aumenta la ganancia del canal en 12 dB. Se activa en la posición hacia adentro.

GAIN (Ganancia) (22)

Controla el nivel de entrada del conector de clavija de 1/4" pulg. correspondiente al canal 3.

LOW EQ SLIDER (Ecuador de frecuencias bajas) (23)

Control de tono activo (tipo "repisa", ± 15 dB) que varía la gama de frecuencias bajas.

Precaucion: Un impulso excesivo a las frecuencias bajas produce mayor consumo de potencia y aumenta la posibilidad de dañar el altavoz.

LOW/MID EQ SLIDER (Ecuador de frecuencias bajas/medias) (24)

Control de tono activo (cima/gradual, ± 12 dB) que varía la gama de frecuencias de bajas/medias.

HIGH/MID EQ SLIDER (Ecuador de frecuencias agudas/medias) (25)

Control de tono activo (cima/gradual, ± 12 dB) que varía la gama de frecuencias de agudas/medias.

HIGH EQ SLIDER (Ecuador de frecuencias agudas) (26)

Control de tono activo (tipo "repisa", ± 15 dB) que varía la gama de frecuencias agudas.

REVERB SEND (Control de reverberación) (27)

Establece el nivel de la reverberación interna (efecto eco) para el canal y debe usarse conjuntamente con el control general de nivel de efectos.

MAESTRO:

MAIN REVERB (Reverberación principal) (28)

Determina el efecto general enviado a la unidad de reverberación interna. Este control funciona conjuntamente con los controles de reverberación de canal.

MAIN LEVEL (Nivel principal) (29)

Controla el nivel de volumen del gabinete.

POWER LED (LED indicador de corriente) (30)

Se ilumina rojo cuando el amplificador recibe corriente alterna.

POWER SWITCH (Interruptor de corriente) (31)

Oprima el interruptor a la posición "hacia dentro" (encendido). La luz roja del piloto (indicador) se encenderá indicando que la unidad está recibiendo corriente alterna.

Tablero Trasero:



FUNCIONES TABLERO TRASERO

AC LINE CORD SOCKET (Tomacorriente para el cable de corriente) (32)



Se suministra para enchufar el cable de corriente.

VOLTAGE SELECTOR SWITCH (Interruptor de selección de voltaje) (33)



Los modelos para exportación de este producto están suministrados con un interruptor selector para 220/240 voltios. Antes de operar este equipo, asegúrese de que el interruptor está ajustado para el voltaje correcto.

Nota: La operación de este equipo con un ajuste incorrecto de voltaje puede causar daño al transformador o la pérdida de potencia.

PREAMP OUT/POWER AMP IN JACKS (Salida del preamplificador/Entrada del amplificador de potencia) (34)

Se suministran estos enchufes hembras para conectar aparatos de efectos en línea. Para conectar un aparato de efectos, conecte la salida del preamplificador a la entrada del aparato, después conecte la salida del aparato a la entrada del amplificador de potencia. (Para este tipo de conexión debe usar cables blindados de buena calidad.) La salida del preamplificador también se puede usar para mandar la señal a nivel de línea a una consola de mezcla, grabadora, etc. Esta conexión no afecta la función del amplificador.

Nota: El nivel de salida del preamplificador es aproximadamente 1 voltio "RMS" y es de relativamente baja impedancia (600 ohms). Cualquier aparato de efectos que se use en este lazo de efectos debe ser capaz de recibir 1 voltio de entrada y proveer 1 voltio de salida para impulsar correctamente el amplificador de potencia. La entrada del amplificador de potencia tiene un interruptor interno que desconecta el preamplificador interno.

LINE OUT (Salida de línea) (35)

Manda la señal directamente a las consolas de mezcla o grabadoras, utilizando ecualización especial para simular la respuesta de un altavoz. Se debe usar un cable blindado para la conexión. Ver la sección de especificaciones de los aparatos.

RECORD OUT LEFT/RIGHT (Salidas de grabación izquierda y derecha) (36)

Se suministran enchufes hembras "RCA" para grabar directamente desde la señal principal. La señal en este punto está dividida en una salida doble (izquierda y derecha).

REVERB SWITCH JACK (Conector de interruptor de reverberación) (37)

Permite conectar un interruptor de pedal (opcional) para activar y desactivar la reverberación.

CHANNEL TWO MUTE (Silenciamiento de canal 2) (38)

Permite conectar un interruptor de pedal (opcional) para activar y desactivar el silenciamiento del canal 2.

FRANÇAIS

**Veillez-vous référer au « front panel » art
situé dans la section en langue anglaise de ce manuel.**

Merci d'avoir choisi le système d'amplification de clavier/acoustique KB/A™ 300. Une fois de plus, les ingénieurs de Peavey vous ont écoutés et ont créé un système qui alloue des caractéristiques et un son excellents à un équipement portable de grand style. Nous avons écouté les joueurs de clavier et exaucé leurs désirs en permettant des aigus mieux définis. En plus d'un nouveau pilote de compression, nous avons perfectionné la fréquence de transfert. Les amplificateurs de la nouvelle série KB/A™ délivrent également un son extraordinaire avec les batteries et les instruments acoustiques. Des basses rugissantes aux aigus cristallins, tout y est. Pour plus de détails, voyez les caractéristiques ci-dessous.

CARACTERISTIQUES DU PANNEAU AVANT

CANAL DU MICROPHONE:

GAIN (1)

Permet de contrôler le niveau d'entrée du microphone.

LOW-Z INPUT (Entrée basse impédance) (2)

Prise d'entrée pour signal de microphones basse impédance ou autres sources à basse niveau équipées d'une prise « XLR ».

HIGH-Z INPUT (Entrée haute impédance) (3)

Prise d'entrée pour signal de microphones haute impédance ou autres sources à haute niveau équipées d'une prise 6,35 mm (1/4 po.).

CANAL UN:

HIGH-Z INPUT (Entrée haute impédance) (4)

Prise d'entrée jack 6,35 mm (1/4 po.) à très grande bande dynamique. Cette entrée accepte les signaux de niveau très haut générés par les claviers/synthétiseurs ou les signaux de niveau très bas provenant des claviers de pratique ou des claviers domestiques.

GAIN (5)

Permet de contrôler le niveau d'entrée du jack téléphonique de 6,35 mm (1/4 po.) du canal 1.

PRE EQ PATCH JACKS (Jacks de connexion de pré-égalisation) (6)

Permettent la connexion de dispositifs d'effets au chemin du signal. Pour connecter un dispositif d'effets, connecter sa source au jack Send (envoi) et sa sortie au jack Return (retour). Utiliser des câbles blindés de haute qualité pour ce type de connexion.

LOW EQ SLIDER (Égalisation graves) (7)

Réglage de tonalité actif (type passe-bas, ±15 dB), servant à ajuster les fréquences graves.

Attention : Une forte accentuation des fréquences graves augmente la consommation de puissance et les risques de dommages au haut-parleur.

LOW/MID EQ SLIDER (Égalisation graves/moyennes) (8)

Réglage de tonalité actif (correction ±12 dB), servant à ajuster les fréquences graves et moyennes.

HIGH/MID EQ SLIDER (Égalisation aiguës/moyennes) (9)

Réglage de tonalité actif (correction ± 12 dB), servant à ajuster les fréquences aiguës et moyennes.

HIGH EQ SLIDER (Égalisation aiguës) (10)

Réglage de tonalité actif (type passe-bas, ± 15 dB), servant à ajuster les fréquences aiguës.

REVERB SEND (Réglage de réverbération) (11)

Régle le niveau de la réverbération interne (effet d'écho) du canal et doit être utilisé conjointement avec le réglage « Master Effects ».

CANAL DEUX:**HIGH-Z INPUT (Entrée haute impédance) (12)**

Prise d'entrée jack 6,35 mm ($\frac{1}{4}$ po.) à très grande bande dynamique. Cette entrée accepte les signaux de niveau très haut générés par les claviers/synthétiseurs ou les signaux de niveau très bas provenant des claviers de pratique ou des claviers domestiques. Cette entrée sert aussi aux guitares acoustiques et peut être désactivée avec une pédale de commande à distance (facultative).

GAIN SWITCH (Interrupteur de gain) (13)

Permet d'augmenter le gain du canal de 12 dB. L'enfoncer en position « in » pour l'activer.

GAIN (14)

Permet de contrôler le niveau d'entrée du jack téléphonique de 6,35 mm ($\frac{1}{4}$ po.) du canal 2.

LOW EQ SLIDER (Égalisation graves) (15)

Réglage de tonalité actif (type passe-bas, ± 15 dB), servant à ajuster les fréquences graves.

Attention : Une forte accentuation des fréquences graves augmente la consommation de puissance et les risques de dommages au haut-parleur.

LOW/MID EQ SLIDER (Égalisation graves/moyennes) (16)

Réglage de tonalité actif (correction ± 12 dB), servant à ajuster les fréquences graves et moyennes.

HIGH/MID EQ SLIDER (Égalisation aiguës/moyennes) (17)

Réglage de tonalité actif (correction ± 12 dB), servant à ajuster les fréquences aiguës et moyennes.

HIGH EQ SLIDER (Égalisation aiguës) (18)

Réglage de tonalité actif (type passe-bas, ± 15 dB), servant à ajuster les fréquences aiguës.

REVERB SEND (Réglage de réverbération) (19)

Régle le niveau de la réverbération interne (effet d'écho) du canal et doit être utilisé conjointement avec le réglage « Master Effects ».

CANAL TROIS:**HIGH-Z INPUT (Entrée haute impédance) (20)**

Prise d'entrée jack 6,35 mm ($\frac{1}{4}$ po.) à très grande bande dynamique. Cette entrée accepte les signaux de niveau très haut générés par les claviers/synthétiseurs ou les signaux de niveau très bas provenant des claviers de pratique ou des claviers domestiques.

GAIN SWITCH (Interrupteur de gain) (21)

Permet d'augmenter le gain du canal de 12 dB. L'enfoncer en position « in » pour l'activer.

GAIN (22)

Permet de contrôler le niveau d'entrée du jack téléphonique de 6,35 mm ($\frac{1}{4}$ po.) du canal 3.

LOW EQ SLIDER (Égalisation graves) (23)

Réglage de tonalité actif (type passe-bas, ± 15 dB), servant à ajuster les fréquences graves.

Attention : Une forte accentuation des fréquences graves augmente la consommation de puissance et les risques de dommages au haut-parleur.

LOW/MID EQ SLIDER (Égalisation graves/moyennes) (24)

Réglage de tonalité actif (correction ± 12 dB), servant à ajuster les fréquences graves et moyennes.

HIGH/MID EQ SLIDER (Égalisation aiguës/moyennes) (25)

Réglage de tonalité actif (correction ± 12 dB), servant à ajuster les fréquences aiguës et moyennes.

HIGH EQ SLIDER (Égalisation aiguës) (26)

Réglage de tonalité actif (type passe-bas, ± 15 dB), servant à ajuster les fréquences aiguës.

REVERB SEND (Réglage de réverbération) (27)

Régle le niveau de la réverbération interne (effet d'écho) du canal et doit être utilisé conjointement avec le réglage « Master Effects ».

PRINCIPAL:

MAIN REVERB (Réverbération principal) (28)

Permet de sélectionner le niveau total d'effets fourni au système de réverbération interne. Ce bouton fonctionne en conjonction avec les boutons de réverbération des canaux.

MAIN LEVEL (Volume principal) (29)

Permet de contrôler le niveau du volume de l'appareil.

POWER LED (DEL témoin de mise sous tension) (30)

S'allume rouge lorsque l'ampli recoit l'alimentation CA.

POWER SWITCH (Interrupteur d'alimentation) (31)

Mettre l'interrupteur en position « on ». La lampe témoin rouge (DEL) s'illumine indiquante que l'appareil est alimenté en courant.

Panneau Arrière:



CARACTERISTIQUES DU PANNEAU ARRIÈRE

AC LINE CORD SOCKET (Prise pour câble d'alimentation) (32)



Prise de branchement du cordon d'alimentation CA détachable.

VOLTAGE SELECTOR SWITCH (Sélecteur de tension) (33)



Les modèles pour exportation de ce produit sont dotés d'un sélecteur 220/240 volts. Avant toute mise en service, assurez-vous que le sélecteur est réglé à la tension appropriée.

Remarque: L'utilisation de ce produit sous un mauvais réglage de tension peut causer des dommages au transformateur ou une perte de puissance de sortie.

PREAMP OUT/POWER AMP IN JACKS (Prises de sortie préampli/entrée ampli) (34)

Ces prises jack de boucle d'effets permettent l'insertion d'un appareil d'effets. Pour relier un appareil d'effets, branchez la sortie du préampli (« Preamp Output ») à l'entrée de l'appareil. Branchez ensuite la sortie de l'appareil à l'entrée de l'ampli de puissance (« Power Amp Input »). Des câbles blindés de haute qualité doivent être utilisés pour ces connexions. La sortie « Preamp Output » peut aussi être utilisée pour amener le signal amplifié à une table de mixage, un magnétophone, ou autres. Branchez la sortie du préampli à l'entrée du magnétophone, mélangeur, etc., à l'aide de câbles blindés. Ce branchement n'affecte pas le fonctionnement of l'amplificateur.

Note: Le niveau de sortie du préampli est d'environ 1 volt sous impédance relativement basse (600 ohms). Les appareils d'effets insérés dans cette « boucle » doivent être capables de recevoir ce niveau d'entrée de 1 volt ainsi que de délivrer une sortie de 1 volt de façon à bien alimenter l'ampli de puissance. L'ampli de puissance possède un interrupteur interne qui débranche le préampli interne.

LINE OUT (Sortie Ligne) (35)

Dirige le signal directement à un pupitre de mixage ou d'enregistrement. Une égalisation spéciale est utilisée pour simuler la réponse de haut-parleurs de puissance. Utilisez un câble blindé pour le branchement. Voir la section « Specifications ».

RECORD OUT LEFT/RIGHT (Sorties gauche/droite pour enregistrement) (36)

Prises jacks « RCA » permettant d'enregistrer directement à partir du signal principal. À ce point, le signal est divisé en deux sorties (gauche et droite).

REVERB SWITCH JACK (Interrupteur du jack de réverbération) (37)

Permet la connexion d'une pédale de commande à distance (facultative) et sert à activer/désactiver la réverbération.

CHANNEL TWO MUTE (Désactivation du canal 2) (38)

Permet la connexion d'une pédale de commande à distance (facultative) et sert à activer/désactiver la désactivation du canal 2.

DEUTSCH

Siehe Diagramm der Frontplatte im englischen Teil des Handbuchs.

Wir danken Ihnen für den Kauf des Keyboard/Acoustic-Verstärkungssystems KB/A™ 300! Wieder einmal haben unsere Ingenieure die Meinungen von Keyboard-Spielern eingeholt und ein System geschaffen, das herausragende Merkmale und klangliche Eigenschaften in einem tragbaren, attraktiven Gerät vereint. Auf die Forderung: „Wir wollen einen besser definierten Höhenbereich“, haben unsere Ingenieure sofort reagiert. Neben einem neuen Komprimierungstreiber wurde die Übergangsweiche bis zur Perfektion überarbeitet. Die Verstärker der neuen Serie KB/A™ liefern außerdem einen beeindruckenden Sound für Schlagzeug und akustische Instrumente. Von röhrenden Bässen bis zu durchsichtigen Höhen – es wurde an alles gedacht! Lesen Sie die nachstehende Merkmalsliste, um einen genauen Überblick zu gewinnen.

BESCHREIBUNG DER FRONTPLATTE

KANAL MIKROPHONEN:

GAIN (Verstärkungsregler) (1)

Regelt den Eingangspegel des Mikrofons.

LOW-Z INPUT (Niederohmiger Eingang) (2)

Vorgesehen zum Anschluß von niederohmigen Mikrofonen oder Signalquellen mit niedrigem Ausgangspegel, die mit einem XLR-Stecker ausgerüstet sind.

HIGH-Z INPUT (Hochohmiger Eingang) (3)

Vorgesehen zum Anschluß von hochohmigen Mikrofonen oder Signalquellen mit hohem Ausgangspegel, die mit einem ¼-Zoll Klinkenstecker ausgerüstet sind.

KANAL EIN:

HIGH-Z INPUT (Hochohmiger Eingang) (4)

Eine Klinkenbuchse mit extrem breitem Dynamikbereich für sehr hohe Eingangspegel von Synthesizer-Systemen oder sehr niedrige Pegel von Übungsverstärkern oder Heimkeyboards.

GAIN (Verstärkungsregler) (5)

Regelt den Eingangspegel der 6,3 mm Klinkenbuchse von Kanal 1.

PRE EQ PATCH JACKS (Pre-EQ-Patch-Buchsen) (6)

Über diese Buchsen werden externe Effektgeräte in den Signalweg eingefügt. Dafür wird die Send-Buchse mit dem Eingang des Effektgeräts verbunden, der Ausgang des Effektgeräts wird über die Return-Buchse zurückgeführt. Für diese Verbindungen sollten abgeschirmte Kabel hoher Qualität verwendet werden.

LOW EQ SLIDER (Tiefen-Equalizerregler) (7)

Active Klangreglung für die tiefen Frequenzen. Anhebung und Absenkung im Bereich von ±15 dB möglich.

Achtung: Extreme Bassanhebung erfordert einen höheren Leistungsbedarf und kann evtl. zu einer Lautsprecherbeschädigung führen.

LOW/MID EQ SLIDER (Tiefen/Mitten-Equalizerregler) (8)

Active Klangreglung für die tiefen/mitten Frequenzen. Anhebung und Absenkung im Bereich von ± 12 dB möglich.

HIGH/MID EQ SLIDER (Höhen/Mitten-Equalizerregler) (9)

Active Klangreglung für die höhen/mitten Frequenzen. Anhebung und Absenkung im Bereich von ± 12 dB möglich.

HIGH EQ SLIDER (Höhen-Equalizerregler) (10)

Active Klangreglung für die höhen Frequenzen. Anhebung und Absenkung im Bereich von ± 15 dB möglich.

REVERB SEND (11)

Stellt den Pegel des internen Halls (Echo Effekt) für den Kanal ein und muß in Verbindung mit dem Master Effekt Pegel benutzt werden.

KANAL ZWEI:

HIGH-Z INPUT (Hochohmiger Eingang) (12)

Eine Klinkenbuchse mit extrem breitem Dynamikbereich für sehr hohe Eingangspegel von Synthesizer-Systemen oder sehr niedrige Pegel von Übungsverstärkern oder Heimkeyboards. Dieser Eingang ist auch für akustische Gitarren vorgesehen und kann mit einem Fußschalter (separat erhältlich) stummgeschaltet werden.

GAIN SWITCH (Verstärkungsschalter) (13)

Hebt die Verstärkung des zugehörigen Kanals um 12 dB an. Den Schalter drücken, um diese Funktion zu aktivieren.

GAIN (Verstärkungregler) (14)

Regelt den Eingangspegel der 6,3 mm Klinkenbuchse von Kanal 2.

LOW EQ SLIDER (Tiefen-Equalizerregler) (15)

Active Klangreglung für die tiefen Frequenzen. Anhebung und Absenkung im Bereich von ± 15 dB möglich.

Achtung: Extreme Bassanhebung erfordert einen höheren Leistungsbedarf und kann evtl. zu einer Lautsprecherbeschädigung führen.

LOW/MID EQ SLIDER (Tiefen/Mitten-Equalizerregler) (16)

Active Klangreglung für die tiefen/mitten Frequenzen. Anhebung und Absenkung im Bereich von ± 12 dB möglich.

HIGH/MID EQ SLIDER (Höhen/Mitten-Equalizerregler) (17)

Active Klangreglung für die höhen/mitten Frequenzen. Anhebung und Absenkung im Bereich von ± 12 dB möglich.

HIGH EQ SLIDER (Höhen-Equalizerregler) (18)

Active Klangreglung für die höhen Frequenzen. Anhebung und Absenkung im Bereich von ± 15 dB möglich.

REVERB SEND (19)

Stellt den Pegel des internen Halls (Echo Effekt) für den Kanal ein und muß in Verbindung mit dem Master Effekt Pegel benutzt werden.

KANAL DREI:

HIGH-Z INPUT (Hochohmiger Eingang) (20)

Eine Klinkenbuchse mit extrem breitem Dynamikbereich für sehr hohe Eingangspegel von Synthesizer-Systemen oder sehr niedrige Pegel von Übungsverstärkern oder Heimkeyboards.

GAIN SWITCH (Verstärkungsschalter) (21)

Hebt die Verstärkung des zugehörigen Kanals um 12 dB an. Den Schalter drücken, um diese Funktion zu aktivieren.

GAIN (Verstärkungsregler) (22)

Regelt den Eingangspegel der 6,3 mm Klinkenbuchse von Kanal 3.

LOW EQ SLIDER (Tiefen-Equalizerregler) (23)

Active Klangreglung für die tiefen Frequenzen. Anhebung und Absenkung im Bereich von ± 15 dB möglich.

Achtung: Extreme Bassanhebung erfordert einen höheren Leistungsbedarf und kann evtl. zu einer Lautsprecherbeschädigung führen.

LOW/MID EQ SLIDER (Tiefen/Mitten-Equalizerregler) (24)

Active Klangreglung für die tiefen/mitten Frequenzen. Anhebung und Absenkung im Bereich von ± 12 dB möglich.

HIGH/MID EQ SLIDER (Höhen/Mitten-Equalizerregler) (25)

Active Klangreglung für die höhen/mitten Frequenzen. Anhebung und Absenkung im Bereich von ± 12 dB möglich.

HIGH EQ SLIDER (Höhen-Equalizerregler) (26)

Active Klangreglung für die höhen Frequenzen. Anhebung und Absenkung im Bereich von ± 15 dB möglich.

REVERB SEND (27)

Stellt den Pegel des internen Halls (Echo Effekt) für den Kanal ein und muß in Verbindung mit dem Master Effekt Pegel benutzt werden.

HAUPT-TEIL:

MAIN REVERB (Hauptreverb) (28)

Bestimmt den Gesamteffektpegel, der der internen Reverbeinheit zugeführt wird. Dieser Regler funktioniert in Verbindung mit den Kanalreverbreglern.

MAIN LEVEL (Hauptpegel) (29)

Regelt die Lautstärke der Box.

POWER LED (Betriebsanzeige) (30)

Zeigt die eingeschaltete netzspannung an.

POWER SWITCH (Netzschalter) (31)

Bringen sie den schalter auf die on-position. Die rote kontrollampe (LED) leuchtet und zeigt an, daß das gerät eingeschaltet ist.

Rückplatte:



BESCHREIBUNG DER RÜCKPLATTE

AC LINE CORD SOCKET (Stromanschluss) (32)



Zum Anschliessen des abnehmbaren Wechselstrom-Kabels.

VOLTAGE SELECTOR SWITCH (Spannungs-Wählschalter) (33)



Export-ausführungen dieses modells sind mit einem 220/240 volt-umschalter ausgerüstet. Vor der ersten inbetriebnahme muß sichergestellt werden, daß die spannung den lokalen verhältnissen angepaßt ist.

Vorsicht: Die verwendung dieses gerätes mit falsch eingestellter netzspannung kann zu schäden am transformer oder zu verlust an ausgangsleistung führen!

PREAMP OUT/POWER AMP IN JACKS (34)

Diese Buchsen sind vorgesehen für das direkte Einschleifen von Effektgeräten. Um ein Effektgerät anzuschließen, verbinden Sie den Preamp-Output mit dem Eingang des Effektarätes. Als nächstes verbinden Sie den Ausgang des Effekts mit dem Power Amp-Input (für diese Anschlüsse müssen abgeschirmte Kabel verwendet werden). Der Preamp Output kann auch dazu benutzt werden, ein verstärktes Signal direkt in einen Mixer oder eine Bandmaschine zu leiten. Verbinden Sie den Preamp Output über ein abgeschirmtes Kabel mit dem Eingang des Mixers oder der Bandmaschine. Diese Verbindung hat keinen Einfluß auf die Funktion des Verstärkers.

Anmerkung: Der Preamp Output Vorverstärkerausgangspegel beträgt c. 1 Volt RMS bei 600 Ohm. Jedes Effektgerät, das hier eingeschleift werden soll, muß ein Eingangs- und Ausgangssignal von 1 Volt haben, um den Poweramp richtig anzusteuern. Der Poweramp-Eingang hat einen internen Schalter, der den internen Preamp trennt.

LINE OUT (35)

Leitet das Signal direkt an Mischpulte/Aufnahmegeräte unter Verwendung eines speziellen EQ der eine Lautsprechercharakteristik simuliert. Für diesen Anschluß muß ein abgeschirmtes Kabel verwendet werden. Unter SPEZIFIKATIONEN nachlesen.

RECORD OUT LEFT/RIGHT (36)

Um direkt vom Hauptsignal aufnehmen zu können, sind hierfür Cinch-Buchsen vorgesehen. Das Signal wird hier in links und rechts gesplittet.

REVERB SWITCH JACK (Buchse für Reverbschalter) (37)

Hier kann ein Fußschalter (separat erhältlich) zum Ein- und Ausschalten des Reverbs angeschlossen werden.

CHANNEL TWO MUTE (Stummschaltung für Kanal 2) (38)

Hier kann ein Fußschalter (separat erhältlich) zum Ein- und Ausschalten der Stummschaltung von Kanal 2 angeschlossen werden.

**For further information on other Peavey products,
ask your Authorized Peavey Dealer for the
appropriate Peavey catalog/publication.**



**Bass Guitars
Guitars
Bass Amplification
Guitar Amplification
Sound Reinforcement Enclosures
Microphones
Keyboards
DJ
Lighting
Mixers, Powered/Non-Powered
Accessories/Cables
Effects Processors
Access™ Wear
The Peavey Beat™
Monitor® Magazine
Key Issues™
Low Down™
PM™ Magazine**

THIS LIMITED WARRANTY VALID ONLY WHEN PURCHASED AND REGISTERED IN THE UNITED STATES OR CANADA. ALL EXPORTED PRODUCTS ARE SUBJECT TO WARRANTY AND SERVICES TO BE SPECIFIED AND PROVIDED BY THE AUTHORIZED DISTRIBUTOR FOR EACH COUNTRY. Ces clauses de garantie ne sont valables qu'aux Etats-Unis et au Canada. Dans tous les autres pays, les clauses de garantie et de maintenance sont fixées par le distributeur national et assurées par lui selon la législation en vigueur. •• Diese Garantie ist nur in den USA und Kanada gültig. Alle Export-Produkte sind der Garantie und dem Service des Importeurs des jeweiligen Landes unterworfen. •• Esta garantía es válida solamente cuando el producto es comprado en E.U. continentales o en Canada. Todos los productos que sean comprados en el extranjero, están sujetos a las garantías y servicio que cada distribuidor autorizado determine y ofrezca en los diferentes países.

PEAVEY ONE-YEAR LIMITED WARRANTY/REMEDY

PEAVEY ELECTRONICS CORPORATION ("PEAVEY") warrants this product, EXCEPT for covers, footswitches, patchcords, tubes and meters, to be free from defects in material and workmanship for a period of one (1) year from date of purchase, PROVIDED, however, that this limited warranty is extended only to the original retail purchaser and is subject to the conditions, exclusions, and limitations hereinafter set forth:

PEAVEY 90-DAY LIMITED WARRANTY ON TUBES AND METERS

If this product contains tubes or meters, Peavey warrants the tubes or meters contained in the product to be free from defects in material and workmanship for a period of ninety (90) days from date of purchase; PROVIDED, however, that this limited warranty is extended only to the original retail purchaser and is also subject to the conditions, exclusions, and limitations hereinafter set forth.

CONDITIONS, EXCLUSIONS, AND LIMITATIONS OF LIMITED WARRANTIES

These limited warranties shall be void and of no effect, if:

- a. The first purchase of the product is for the purpose of resale; or
- b. The original retail purchase is not made from an AUTHORIZED PEAVEY DEALER; or
- c. The product has been damaged by accident or unreasonable use, neglect, improper service or maintenance, or other causes not arising out of defects in material or workmanship; or
- d. The serial number affixed to the product is altered, defaced, or removed.

In the event of a defect in material and/or workmanship covered by this limited warranty, Peavey will:

- a. In the case of tubes or meters, replace the defective component without charge.
- b. In other covered cases (i.e., cases involving anything other than covers, footswitches, patchcords, tubes or meters), repair the defect in material or workmanship or replace the product, at Peavey's option; and provided, however, that, in any case, all costs of shipping, if necessary, are paid by you, the purchaser.

THE WARRANTY REGISTRATION CARD SHOULD BE ACCURATELY COMPLETED AND MAILED TO AND RECEIVED BY PEAVEY WITHIN FOURTEEN (14) DAYS FROM THE DATE OF YOUR PURCHASE.

In order to obtain service under these warranties, you must:

- a. Bring the defective item to any PEAVEY AUTHORIZED DEALER or AUTHORIZED PEAVEY SERVICE CENTER and present therewith the ORIGINAL PROOF OF PURCHASE supplied to you by the AUTHORIZED PEAVEY DEALER in connection with your purchase from him of this product.
If the DEALER or SERVICE CENTER is unable to provide the necessary warranty service you will be directed to the nearest other PEAVEY AUTHORIZED DEALER or AUTHORIZED PEAVEY SERVICE CENTER which can provide such service.

OR

- b. Ship the defective item, prepaid, to:

PEAVEY ELECTRONICS CORPORATION
International Service Center
326 Hwy. 11 & 80 East
MERIDIAN, MS 39301

including therewith a complete, detailed description of the problem, together with a legible copy of the original PROOF OF PURCHASE and a complete return address. Upon Peavey's receipt of these items:

If the defect is remedial under these limited warranties and the other terms and conditions expressed herein have been complied with, Peavey will provide the necessary warranty service to repair or replace the product and will return it, FREIGHT COLLECT, to you, the purchaser.

Peavey's liability to the purchaser for damages from any cause whatsoever and regardless of the form of action, including negligence, is limited to the actual damages up to the greater of \$500.00 or an amount equal to the purchase price of the product that caused the damage or that is the subject of or is directly related to the cause of action. Such purchase price will be that in effect for the specific product when the cause of action arose. This limitation of liability will not apply to claims for personal injury or damage to real property or tangible personal property allegedly caused by Peavey's negligence. Peavey does not assume liability for personal injury or property damage arising out of or caused by a non-Peavey alteration or attachment, nor does Peavey assume any responsibility for damage to interconnected non-Peavey equipment that may result from the normal functioning and maintenance of the Peavey equipment.

UNDER NO CIRCUMSTANCES WILL PEAVEY BE LIABLE FOR ANY LOST PROFITS, LOST SAVINGS, ANY INCIDENTAL DAMAGES, OR ANY CONSEQUENTIAL DAMAGES ARISING OUT OF THE USE OR INABILITY TO USE THE PRODUCT, EVEN IF PEAVEY HAS BEEN ADVISED OF THE POSSIBILITY OF SUCH DAMAGES.

THESE LIMITED WARRANTIES ARE IN LIEU OF ANY AND ALL WARRANTIES, EXPRESSED OR IMPLIED, INCLUDING, BUT NOT LIMITED TO, THE IMPLIED WARRANTIES OF MERCHANTABILITY AND FITNESS FOR A PARTICULAR USE; PROVIDED, HOWEVER, THAT IF THE OTHER TERMS AND CONDITIONS NECESSARY TO THE EXISTENCE OF THE EXPRESSED, LIMITED WARRANTIES, AS HEREINABOVE STATED, HAVE BEEN COMPLIED WITH, IMPLIED WARRANTIES ARE NOT DISCLAIMED DURING THE APPLICABLE ONE-YEAR OR NINETY-DAY PERIOD FROM DATE OF PURCHASE OF THIS PRODUCT.

SOME STATES DO NOT ALLOW LIMITATION ON HOW LONG AN IMPLIED WARRANTY LASTS, OR THE EXCLUSION OR LIMITATION OF INCIDENTAL OR CONSEQUENTIAL DAMAGES, SO THE ABOVE LIMITATIONS OR EXCLUSIONS MAY NOT APPLY TO YOU. THESE LIMITED WARRANTIES GIVE YOU SPECIFIC LEGAL RIGHTS, AND YOU MAY ALSO HAVE OTHER RIGHTS WHICH MAY VARY FROM STATE TO STATE.

THESE LIMITED WARRANTIES ARE THE ONLY EXPRESSED WARRANTIES ON THIS PRODUCT, AND NO OTHER STATEMENT, REPRESENTATION, WARRANTY, OR AGREEMENT BY ANY PERSON SHALL BE VALID OR BINDING UPON PEAVEY.

In the event of any modification or disclaimer of expressed or implied warranties, or any limitation of remedies, contained herein conflicts with applicable law, then such modification, disclaimer or limitation, as the case may be, shall be deemed to be modified to the extent necessary to comply with such law.

Your remedies for breach of these warranties are limited to those remedies provided herein and Peavey Electronics Corporation gives this limited warranty only with respect to equipment purchased in the United States of America.

INSTRUCTIONS — WARRANTY REGISTRATION CARD

1. Mail the completed WARRANTY REGISTRATION CARD to:

PEAVEY ELECTRONICS CORPORATION
POST OFFICE BOX 2898
MERIDIAN, MISSISSIPPI 39302-2898

- a. Keep the PROOF OF PURCHASE. In the event warranty service is required during the warranty period, you will need this document. There will be no identification card issued by Peavey Electronics Corporation.
2. IMPORTANCE OF WARRANTY REGISTRATION CARDS AND NOTIFICATION OF CHANGES OF ADDRESSES:
 - a. Completion and mailing of WARRANTY REGISTRATION CARDS — Should notification become necessary for any condition that may require correction, the REGISTRATION CARD will help ensure that you are contacted and properly notified.
 - b. Notice of address changes — If you move from the address shown on the WARRANTY REGISTRATION CARD, you should notify Peavey of the change of address so as to facilitate your receipt of any bulletins or other forms of notification which may become necessary in connection with any condition that may require dissemination of information or correction.
3. You may contact Peavey directly by telephoning (601) 483-5365.

IMPORTANT SAFETY INSTRUCTIONS

WARNING: When using electric products, basic cautions should always be followed, including the following.

1. Read all safety and operating instructions before using this product.
2. All safety and operating instructions should be retained for future reference.
3. Obey all cautions in the operating instructions and on the back of the unit.
4. All operating instructions should be followed.
5. This product should not be used near water, i.e., a bathtub, sink, swimming pool, wet basement, etc.
6. This product should be located so that its position does not interfere with its proper ventilation. It should not be placed flat against a wall or placed in a built-in enclosure that will impede the flow of cooling air.
7. This product should not be placed near a source of heat such as a stove, radiator, or another heat producing amplifier.
8. Connect only to a power supply of the type marked on the unit adjacent to the power supply cord.
9. Never break off the ground pin on the power supply cord. For more information on grounding, write for our free booklet "Shock Hazard and Grounding."
10. Power supply cords should always be handled carefully. Never walk or place equipment on power supply cords. Periodically check cords for cuts or signs of stress, especially at the plug and the point where the cord exits the unit.
11. The power supply cord should be unplugged when the unit is to be unused for long periods of time.
12. If this product is to be mounted in an equipment rack, rear support should be provided.
13. Metal parts can be cleaned with a damp rag. The vinyl covering used on some units can be cleaned with a damp rag or an ammonia-based household cleaner if necessary. Disconnect unit from power supply before cleaning.
14. Care should be taken so that objects do not fall and liquids are not spilled into the unit through the ventilation holes or any other openings.
15. This unit should be checked by a qualified service technician if:
 - a. The power supply cord or plug has been damaged.
 - b. Anything has fallen or been spilled into the unit.
 - c. The unit does not operate correctly.
 - d. The unit has been dropped or the enclosure damaged.
16. The user should not attempt to service this equipment. All service work should be done by a qualified service technician.
17. This product should be used only with a cart or stand that is recommended by Peavey Electronics.
18. Exposure to extremely high noise levels may cause a permanent hearing loss. Individuals vary considerably in susceptibility to noise induced hearing loss, but nearly everyone will lose some hearing if exposed to sufficiently intense noise for a sufficient time. The U.S. Government's Occupational Safety and Health Administration (OSHA) has specified the following permissible noise level exposures.

Duration Per Day In Hours	Sound Level dBA, Slow Response
8	90
6	92
4	95
3	97
2	100
1 1/2	102
1	105
1/2	110
1/4 or less	115

According to OSHA, any exposure in excess of the above permissible limits could result in some hearing loss.

Ear plugs or protectors in the ear canals or over the ears must be worn when operating this amplification system in order to prevent a permanent hearing loss if exposure is in excess of the limits as set forth above. To ensure against potentially dangerous exposure to high sound pressure levels, it is recommended that all persons exposed to equipment capable of producing high sound pressure levels such as this amplification system be protected by hearing protectors while this unit is in operation.

SAVE THESE INSTRUCTIONS!



Features and specifications subject to change without notice.



Peavey Electronics Corporation 711 A Street / Meridian, MS 39301 / U.S.A. / (601) 483-5365 / Fax 486-1278
#80300327

Printed in U.S.A. 5/96

©1996

Download from Www.Somanuals.com. All Manuals Search And Download.

Free Manuals Download Website

<http://myh66.com>

<http://usermanuals.us>

<http://www.somanuals.com>

<http://www.4manuals.cc>

<http://www.manual-lib.com>

<http://www.404manual.com>

<http://www.luxmanual.com>

<http://aubethermostatmanual.com>

Golf course search by state

<http://golfingnear.com>

Email search by domain

<http://emailbydomain.com>

Auto manuals search

<http://auto.somanuals.com>

TV manuals search

<http://tv.somanuals.com>