

**S/N ratio:**

68 dB

Dynamic range:

106 dB

Power supply:

9~52 VDC

Current consumption:

3 mA

Dimensions:

Top diameter 0.5" (12.5 mm) x length 18.1" (460 mm)

Net weight:

7.75 oz. (220 g)

Description

The PM™ 18S is truly the ultimate podium microphone, offering a unique combination of features to suit any formal speaking application.

The utilization of dual-flex tubing allows for practically infinite positioning choices while maintaining a clean appearance.

The specially designed back-electret condenser capsule offers a tailored, smooth frequency response with an excellent cardioid pickup pattern and high gain performance before feedback.

The collet mount supplied with the PM 18S provides additional mechanical isolation from structure-borne noise and mechanically coupled feedback.

The supplied clamp effectively locks the microphone in place to deter theft or improper removal.

In addition to the collet mount, the PM 18S may be plugged directly into an XLR-type receptacle or mounted to a microphone stand or boom with a conventional microphone stand adapter.

The PM 18S can operate on any phantom power source that supplies DC voltage between 9~52V. An LED located in the base of the microphone (upper portion of the output module) indicates when the PM 18S is powered.

Type:

Back-electret condenser microphone

Pickup pattern:

Cardioid

Frequency response:

50 Hz to 20 kHz

Sensitivity:

-39 dBV/Pa

Rated impedance:

250 Ohms

Minimum load impedance:

1k Ohms

Maximum SPL:

132 dB

Features:

- Back-electret condenser element
- Cardioid pickup pattern
- Specially tailored smooth frequency response
- High gain before feedback
- Collet-type mounting flange with mechanical isolation system
- Security locking system to prevent unauthorized removal
- Operational from 9~52 VDC phantom power source
- LED power indicator



SPECIFICATIONS

ARCHITECTURAL & ENGINEERING SPECIFICATIONS

The microphone shall be back-electret, condenser type with a frequency response of 50 Hz to 20 kHz. The microphone shall have a cardioid response pattern with a rear response that is typically -20 dB from the front response. The microphone shall have an output level of -39 dBV/pascal with a nominal impedance of 250 Ohms. The microphone shall have a low-gloss finish. Microphone dimensions shall be 0.5" (12.5 mm) in diameter at the element and 18.1" (460 mm) long. The output shall properly interface the microphone with any 9 to 52 Volt phantom power supply. Dual, flexible tubing shall be incorporated in the neck assembly to allow proper positioning of the microphone. The microphone shall be a Peavey PM 18S.

COLLET MOUNT INSTALLATION

Remove template from carton. Position the template at the desired position on the lectern. Placing it near the upper right or left corner of the reading surface is most practical.

Use tape to hold the template in place while you mark the location of center clearance and (3) mounting hole centers.

Remove the template and drill a 1"

PM™18S

(25.4 mm) center clearance hole. Next, drill (3) 3/32" (2.38 mm) screw pilot holes. After making sure the 1 1/2" (38.1 mm) suspension foam washer is in the base of the collet mount, attach the collet mount to the lectern using the three mounting screws provided.

Insert the connector end of the microphone into the top of the collet mount and gently press down to the desired depth. The connector end must penetrate the lower suspension foam washer. **CAUTION:** Do not allow the output module cap to rest on the collet collar top. If this happens, the mechanical isolation system becomes ineffective.

Turn collet collar clockwise to tighten or counterclockwise to loosen the tension on the suspension system. Optimal tension is only enough to prevent the microphone from slipping downward on its own weight.

Holding the top portion of the microphone to prevent it from moving up, connect the microphone cable firmly into the microphone output module.

CAUTION: To preserve maximum vibration isolation, neither the output module nor the security clamp should come in contact with the collet or the mounting surface of the lectern.

SECURITY LOCK PROVISION

After the installation of the microphone, simply slip the security clamp around the microphone cable and position around the end of the output module beneath the mounting surface. Engage the jaws of the clamp and tighten securely by squeezing with your fingers or pliers.

While the clamp is in place, the microphone cannot be removed. This prevents theft and protects the mechanical isolation system from damage likely to occur if the XLR on the microphone cable is pulled through the collet.

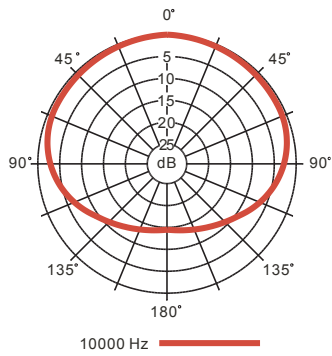
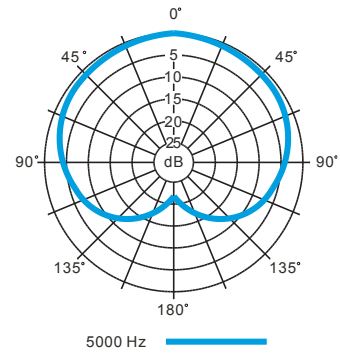
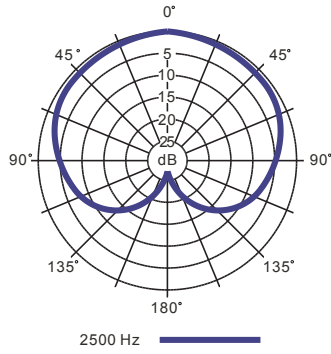
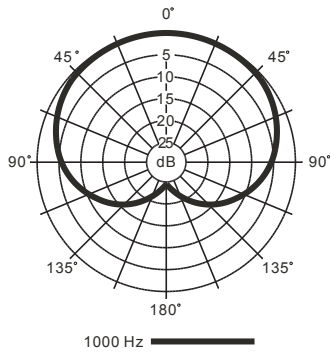
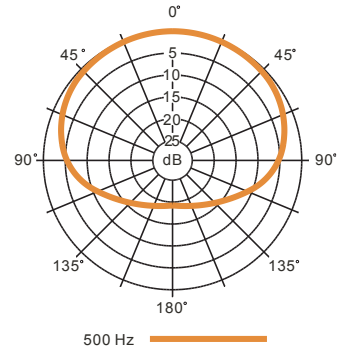
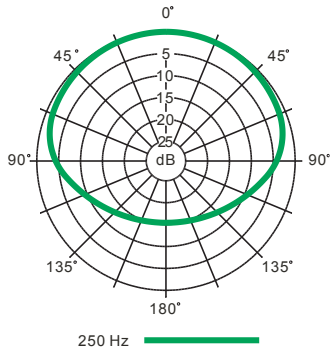
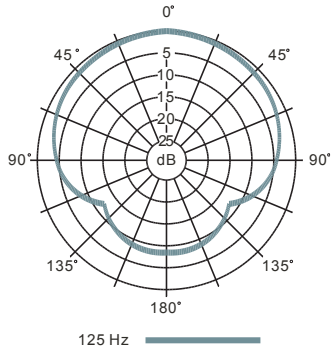
To remove the microphone, disconnect the microphone cable from the output module and remove the security clamp by sliding one jaw downward until the teeth disengage.

2 YEAR LIMITED WARRANTY

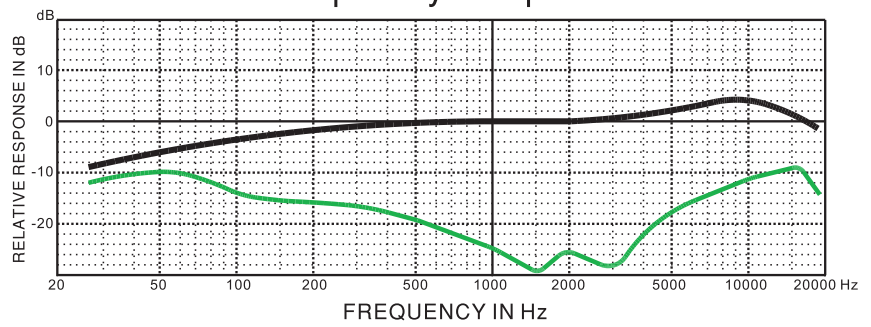
NOTE: For details, refer to the warranty statement. For copies of this statement, contact Peavey Electronics Corporation, at P.O. Box 2898, Meridian, Mississippi 39301-2898, or go online to www.peavey.com.



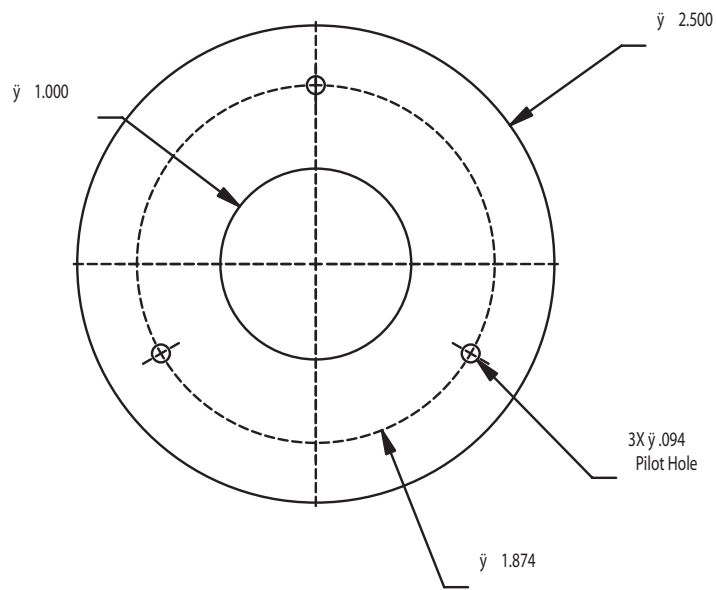
Pickup Patterns



Frequency Response



COLLET MOUNT INSTALLATION TEMPLATE



Notes:

Notes:



Features and specifications subject to change without notice.

Peavey Electronics Corporation • 711 A Street • Meridian • MS • 39301
(601) 483-5365 • FAX (601) 486-1278 • www.peavey.com
80307099

Free Manuals Download Website

<http://myh66.com>

<http://usermanuals.us>

<http://www.somanuals.com>

<http://www.4manuals.cc>

<http://www.manual-lib.com>

<http://www.404manual.com>

<http://www.luxmanual.com>

<http://aubethermostatmanual.com>

Golf course search by state

<http://golfingnear.com>

Email search by domain

<http://emailbydomain.com>

Auto manuals search

<http://auto.somanuals.com>

TV manuals search

<http://tv.somanuals.com>