

SPECIFICATIONS

Peavey Studio Pro™ M2

**Element Type:**

Pressure Gradient Transducer

Polar Pattern:

Selectable: omni, cardioid, figure 8

Front-to-back Rejection:

20 dB typical in cardioid pattern

Rated Output Impedance:

200 Ohms

Recommended Load Impedance:

1000 Ohms

Frequency Response:

30 – 20,000 Hz

Sensitivity (mV/pascal):

12.5 mV/20 mV/15 mV*

Self Noise (Equivalent Noise Level SPL):

20/16/18 dB* typical, A-weighted
(per IEC 651)

Maximum SPL for 0.5% THD:

145/140/144 dB* at 1 kHz

Power Requirements:

48 Volts

Current Consumption:

3.0 mA

Connector:

3-pin XLR

* omni, cardioid, figure 8

Polarity:

Positive pressure on diaphragm produces positive voltage at pin 2 relative to pin 3

Dimensions:

2.280 inches (57.91 mm) maximum body diameter, 7.80 inches (198.12 mm) long

Packaging:

Compact carrying case

Net Weight:

1.2 pounds (545 grams)

Optional Accessory:

Studio Pro Shock Mount

Features

- Large gold-plated dual diaphragm microphone
- Pressure-gradient transducer
- Switchable polar pattern
- Switchable low frequency roll-off
- Switchable 10 dB pre-attenuation
- Ideal as main and as support microphone in most recording situations

Application Hints

- Announcer's studio, vocal, and instrument mic for broadcasting, dubbing, voice-over
- Overhead
- Spot mic for
 - wind instruments
 - strings
 - piano
 - percussion

Description

The Studio Pro M2 is a large format side-address condenser microphone with a unique frequency and transient response. It has a selectable polar response for omni, cardioid or figure 8 patterns. It is an excellent choice for most applications in studios, for broadcasting, film and television.



LISTEN TO THIS™

SPECIFICATIONS Studio Pro™ M2

The Studio Pro M2 can be used as a main microphone for orchestra recordings, as a spot mic for single instruments, and as a vocal microphone for all types of music and speech.

The large gold-plated diaphragm capsule has a very smooth frequency response for all polar patterns. The microphone can be used very close to a sound source without the sound becoming unnaturally harsh. By means of a switchable high-pass filter, interference through subsonic and low frequencies are reduced remarkably. As such, this switch cuts the low frequency response reducing the proximity effect.

An additional switch is added for use in high SPL applications. This 10 dB attenuation switch enables the microphone to handle sound pressure levels up to 140 dB.

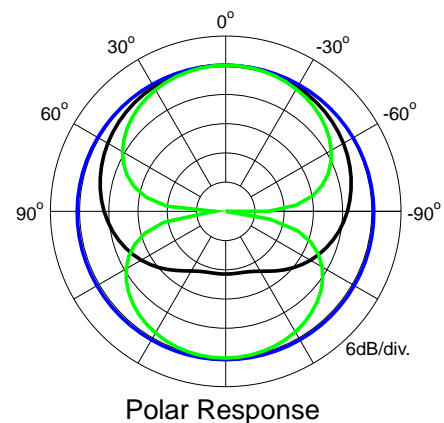
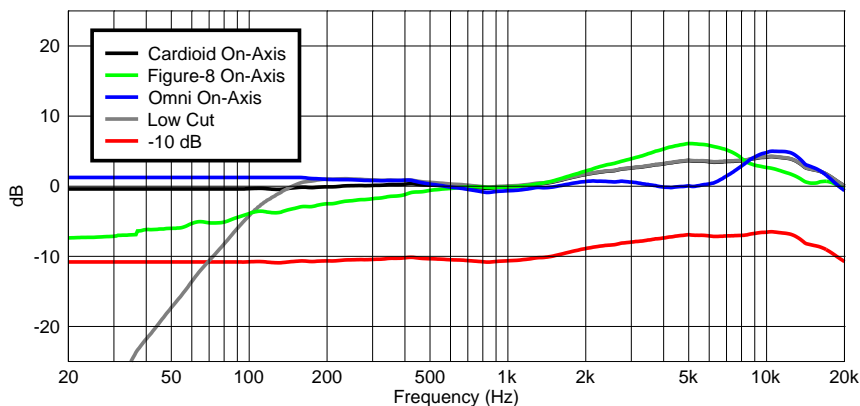
Operation

Position the M2 so that the side with the LED and Peavey logo faces the source. The M2 is equipped with three switches, one for mic pickup patterns, one for high SPL applications and the other for reduction in proximity effect and to reduce low frequencies that can make an instrument sound dull or muddy. Determine which of these conditions you're needing to mic and make the appropriate selection. **Note: It is not recommended to change a switch selection without first reducing the mixer gain.** The M2 is equipped with a swivel mount to secure the microphone to a floor or boom stand. The internal shock mount provides good isolation but for greater reduction of noise from external vibrations use the optional elastic shock mount which can be purchased from your local authorized Peavey dealer.

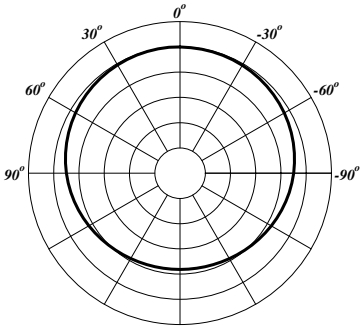
3 + 2 YEAR LIMITED WARRANTY

NOTE: For details, refer to the warranty statement. Copies of this statement may be obtained by contacting Peavey Electronics Corporation, P.O. Box 2898, Meridian, Mississippi 39301-2898.

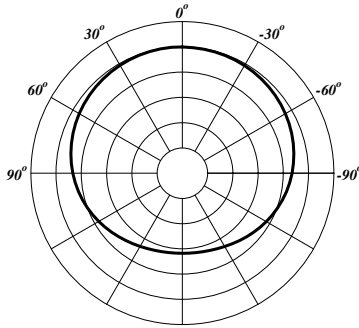
Frequency Response: On-Axis



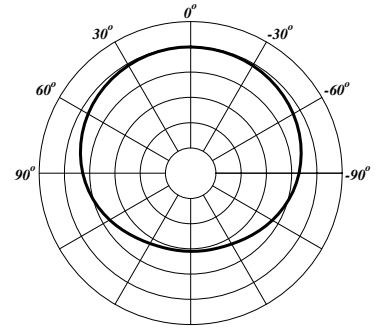
Cardioid Polar Patterns



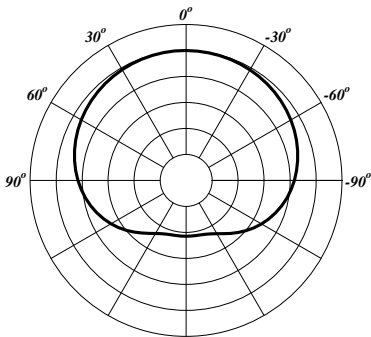
125 Hz



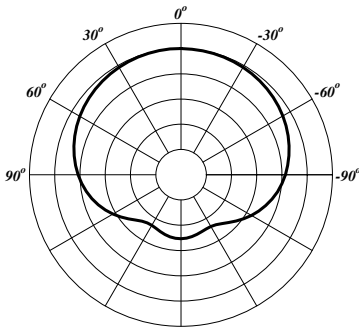
250 Hz



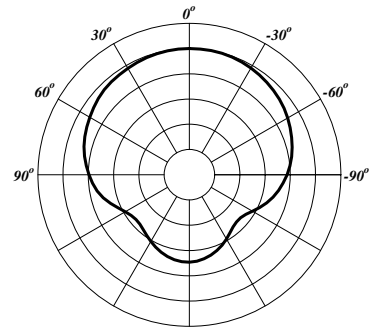
500 Hz



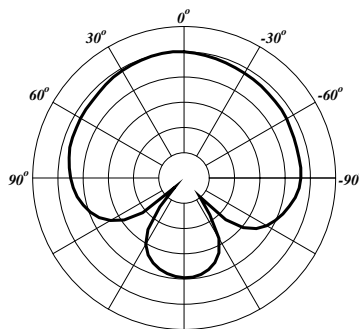
1 kHz



2 kHz



4 kHz

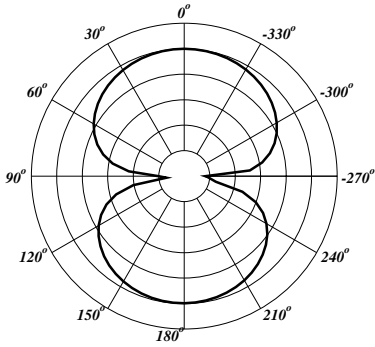


8 kHz

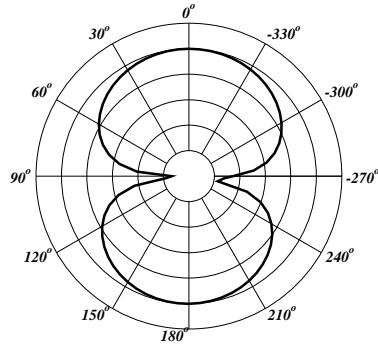
SPECIFICATIONS

Studio Pro™ M2

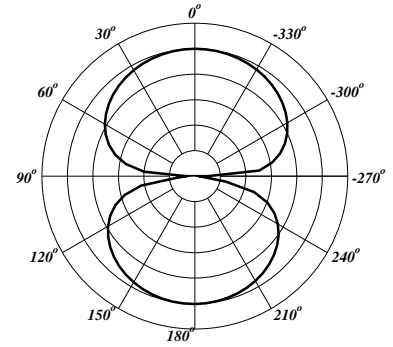
Figure 8 Polar Patterns



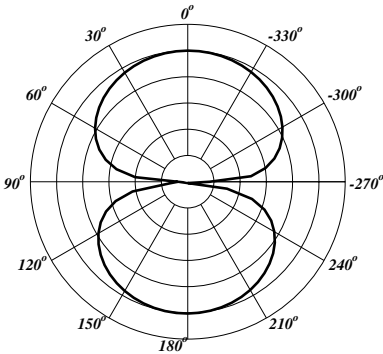
125 Hz



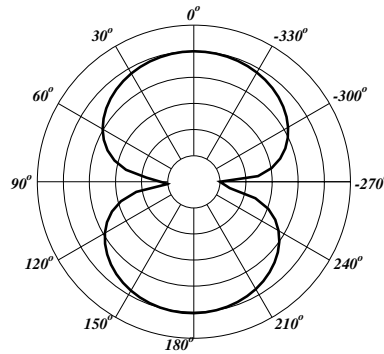
250 Hz



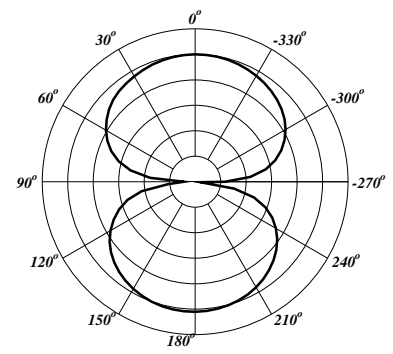
500 Hz



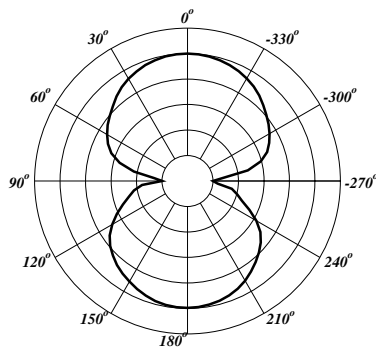
1 kHz



2 kHz



4 kHz

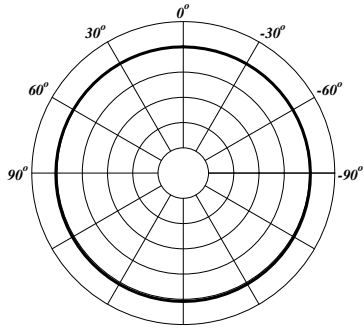


8 kHz

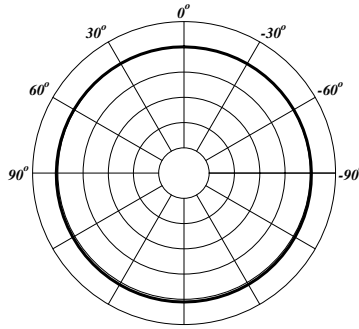
SPECIFICATIONS

Studio Pro™ M2

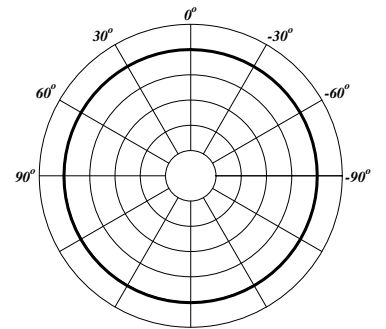
Omni Polar Patterns



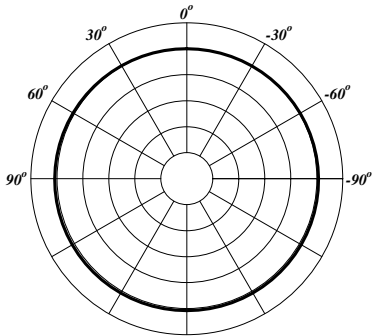
125 Hz



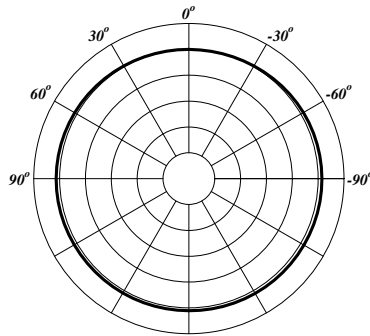
250 Hz



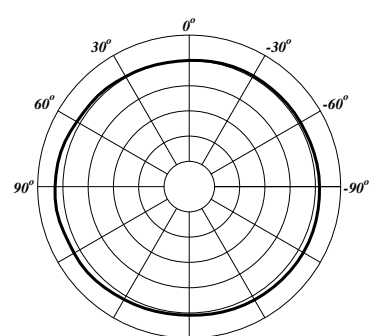
500 Hz



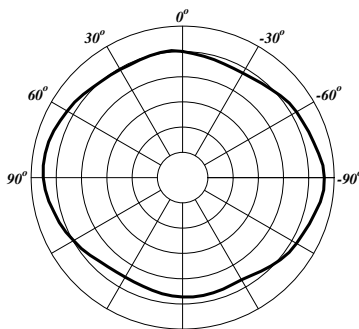
1 kHz



2 kHz



4 kHz



8 kHz

Features and specifications subject to change without notice.

Peavey Electronics Corporation • 711 A Street • Meridian • MS • 39301 (601) 483-5365 • FAX (601) 486-1278 • www.peavey.com
©2001



LISTEN TO THIS™

Free Manuals Download Website

<http://myh66.com>

<http://usermanuals.us>

<http://www.somanuals.com>

<http://www.4manuals.cc>

<http://www.manual-lib.com>

<http://www.404manual.com>

<http://www.luxmanual.com>

<http://aubethermostatmanual.com>

Golf course search by state

<http://golfingnear.com>

Email search by domain

<http://emailbydomain.com>

Auto manuals search

<http://auto.somanuals.com>

TV manuals search

<http://tv.somanuals.com>