



PVM™ 48

Electret Condenser Microphone

The PVM™-48 electret condenser microphone offers special advantages over conventional, dynamic type mics with regard to improved transient response and reduced sensitivity to mechanically-generated handling noise. Built-in active electronics make possible high sensitivity with the benefits of low output impedance.

The cardioid pattern provides superior rejection of unwanted, off axis acoustic signals and greatly reduces the chance of acoustic feedback.

The bass response characteristics yield excellent results for use with pulpits, lecterns, and other applications where the source is a considerable distance from the microphone. The 48 produces a more natural timbre in the low vocal range and exhibits a mild, controlled, bass emphasis when used in hand-held applications. Extremely accurate reproduction of acoustic instruments may be achieved with the PVM-48 for close-micing applications.

This microphone requires external phantom power supply to drive the internal electronics. An internal voltage regulation circuit allows the microphone to be plugged into any mixer phantom power supply (or outboard phantom power source) from 9 to 52 VDC. Any voltage within this supply range will assure ample headroom and excellent dynamic range. The microphones' extremely low current demand makes the Peavey PS™-2B dual battery power supply an excellent choice for phantom power when other supplies are not available.

The die-cast alloy case and brazed steel mesh windscreen make the PVM-48 as durable and reliable as the PVM "Dynamic Series". The unique capsule and circuit mounting configuration allows simple field replacement if service should ever be necessary.

PLUGGING AND UN-PLUGGING ELECTRETS

When plugging electret condenser microphones into audio mixers, it is advised that the channel gain be reduced to zero to eliminate the possibility of a transient "thump". The channel gain should also be reduced to zero when un-plugging and when switching phantom power on or off.

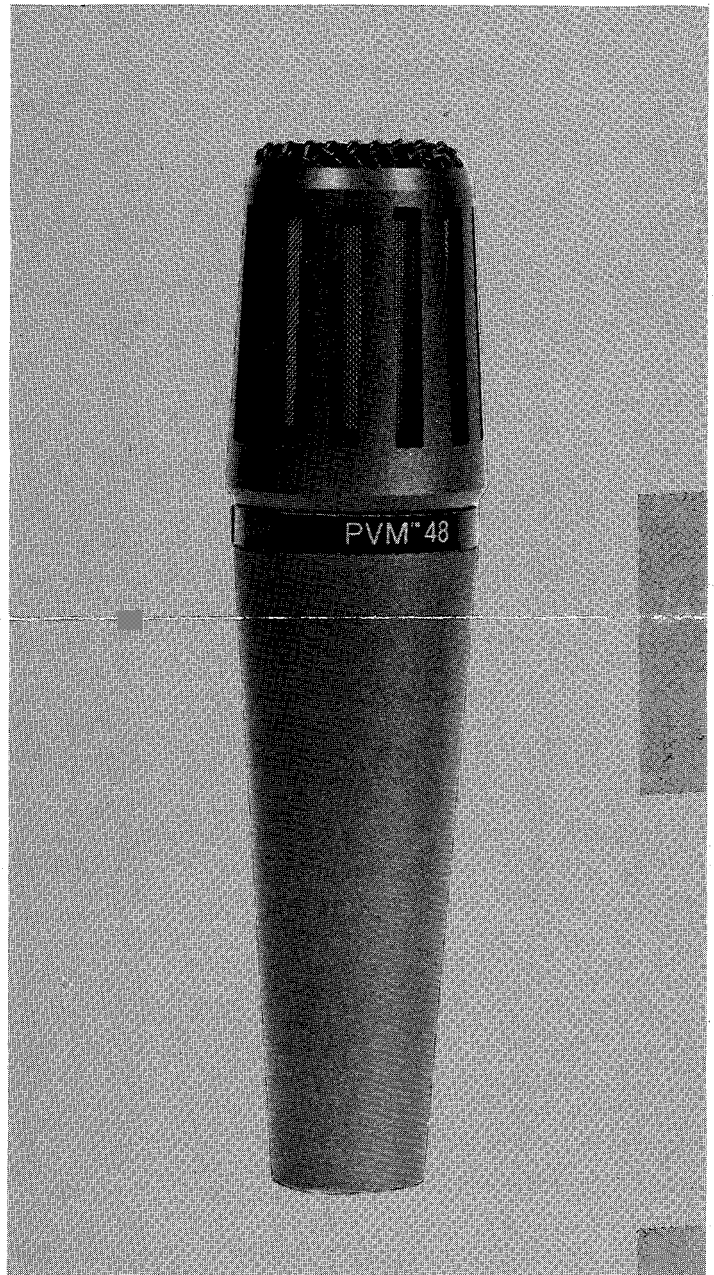
FEATURES

- Cardioid polar pattern rejects off-axis sounds minimizing acoustic feedback without sacrificing sensitivity.
- Improved shock mounting lowers handling noise and "Mic Stand Rumble".
- Smooth frequency response, suitable for instrument or vocal applications.
- Ruggedly constructed and field serviceable for road use. Durable brazed metal screen.
- Furnished accessories include external foam windscreen, swivel adaptor, sturdy "flight-type" carrying case and 25' balanced cable.

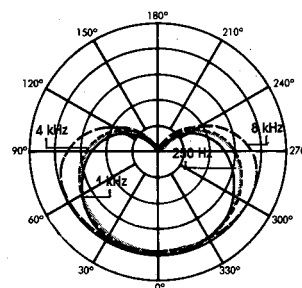
SPECIFICATIONS

Element Type	Electret Condenser
Polar Pattern:	Cardioid
Impedance:	250 ohms
Frequency Response:	60 Hz to 20 kHz
Sensitivity:	-57 dB (0dB = 1V/Microbar)*
Front To Back Ratio:	20 dB
Case (Housing):	Slate grey die-cast zinc alloy
Windscreen:	Brazed steel mesh with integral foam pop filter
Connector:	3-pin XLR
Weight:	7.5 oz.
Furnished Accessories:	Carrying case, swivel adaptor, foam windscreen, 25' (7.62M) balanced low impedance cable with 3-pin XLR, equivalent audio connectors.

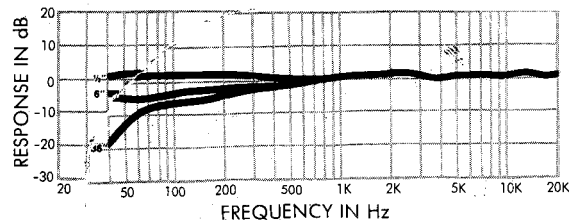
*10 microbars = 1 pascal = 10 dynes/cm



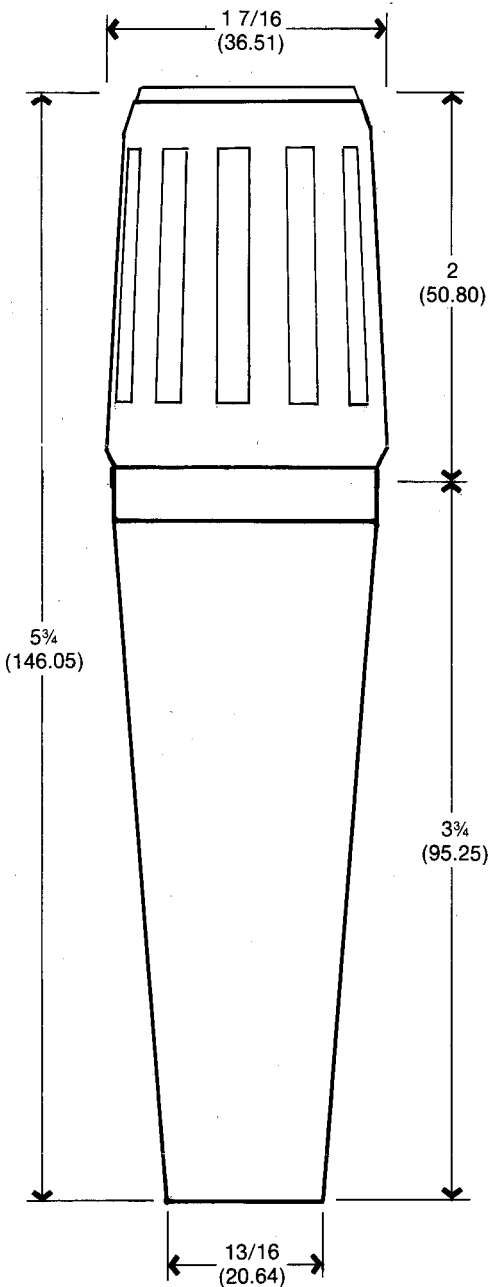
POLAR PATTERN



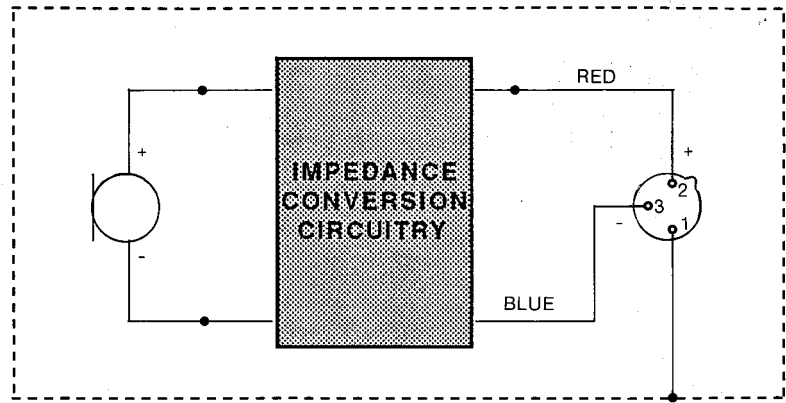
FREQUENCY RESPONSE AND PROXIMITY CURVES



DIMENSIONS
INCHES
(MILLIMETERS)



WIRING DIAGRAM



POSITIVE (INWARD) PRESSURE ON DIAPHRAGM
PRODUCES POSITIVE VOLTAGE AT PIN #2

ARCHITECTURAL & ENGINEERING SPECIFICATIONS

The microphone shall be an electret condenser type with a frequency response of 60Hz to 20kHz. The microphone shall have a cardioid polar characteristic with a rear response that is down 20 dB (120° to 150° off axis). The microphone shall have an output level of -57.0 dB where 0 dB = 1v/microbar and nominal impedance rating of 250 ohms.

The microphone shall be a probe style unit with non-reflecting slate grey paint on a die-cast zinc alloy case. The connector shall be a 3-pin XLR equivalent audio type and a swivel adaptor shall be provided to mount on a stand having 5/8" 27 thread. The microphone shall have overall dimensions of 5 3/4" in length and 1 7/16" in diameter. The microphone shall be a Peavey model PVM™-48 or equivalent.



ACCESSORIES

Durable Flite-type carrying case, swivel adaptor, foam windscreen, and 25' (7.62m) balanced low impedance cable with 3-pin XLR equivalent audio connectors.



HandCrafted in the USA

Due to our efforts for constant improvement, features and specifications are subject to change without notice.

PEAVEY ELECTRONICS CORPORATION / 711 A Street / Meridian, MS 39301 / U.S.A. / Telephone: (601) 483-5365 / Telex: 504115

Free Manuals Download Website

<http://myh66.com>

<http://usermanuals.us>

<http://www.somanuals.com>

<http://www.4manuals.cc>

<http://www.manual-lib.com>

<http://www.404manual.com>

<http://www.luxmanual.com>

<http://aubethermostatmanual.com>

Golf course search by state

<http://golfingnear.com>

Email search by domain

<http://emailbydomain.com>

Auto manuals search

<http://auto.somanuals.com>

TV manuals search

<http://tv.somanuals.com>