

SPECS

PEAVEY ELECTRONICS

PVM™ 835 Diamond Series Microphone

SPECIFICATIONS

Diaphragm Type:
Diamond Coated

Element Type:
Dynamic

Magnet Composition:
Neodymium Iron Boron

Polar Pattern:
Cardioid

Front-to-Back Rejection:
20 dB (typical)

Impedance:
400 ohms

Frequency Response:
45 Hz to 16 kHz

Sensitivity:
-52 dB (0 dB = 1 mW/Pascal)

Open Circuit Voltage:
-68 dB (0 dB = 1 volt/mBar)

Case (Housing):
Brass

Finish:
Rubberized paint

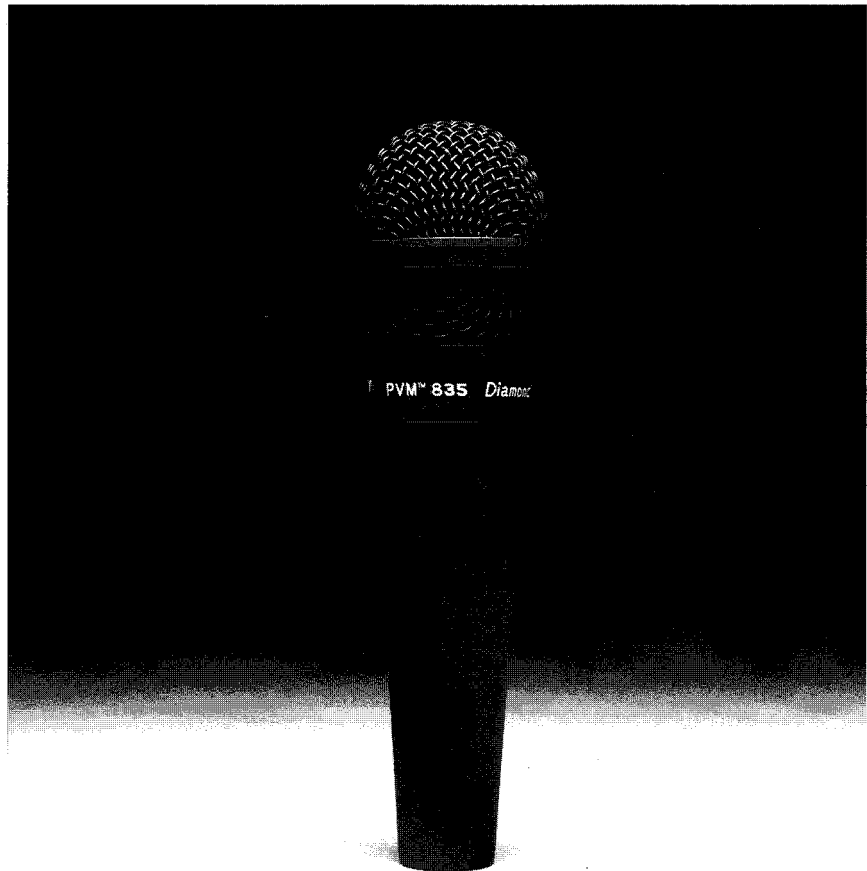
Pop Filter:
Dual integral open cell foam

Phasing:
Positive (inward) pressure on diaphragm produces positive voltage at pin #2.

Weight:
.62 lbs.

FEATURES

- Diamond coated diaphragm
- Neodynamic design
- Cardioid polar response
- Neodymium magnetic
- Superior off axis rejection
- Smooth, accurate frequency response
- Ultrahigh sensitivity



DESCRIPTION

The PVM™ 835 Diamond Series Microphone is a cardioid-polar pattern, hand-held microphone that has a tailored response for those who feel they don't need low-frequency emphasis. The cardioid pattern makes the PVM 835 perfect for vocal reproduction due to a wider front lobe giving less variation in sound as it is being used by the vocalist. The wider front lobe also makes micing easier, when trying to get a good sound on nonelectric instruments.

The most significant advances in microphone design have been achieved through the utilization of high-tech materials. Peavey is proud to say that we now offer a significant advancement in our microphone design. This advancement is achieved through the utilization of amorphous diamond-coated diaphragms—that's right,

diamond. Peavey uses a patented technology to coat the microphone diaphragms with a super-thin coat of diamond. This thin coat offers many advantages over the conventional laminating or coating materials. Everybody knows that diamond is the hardest substance known to man, but did you know that it is also super stiff? The stiffness is why we choose to use it on our diaphragms, achieving a stiff but ultra-light system. Just like the clarity of a high-grade diamond, the new PVM 835 offers clarity in a hand-held microphone that mimics those high-cost condenser microphones.

Another great advantage of the PVM 835 is that, combined with our new twin-tuned electro-mechanical shock mount system, it offers one of the

PEAVEY®

lowest handling noises of any hand-held dynamic on the market. You can hear the diamond difference immediately—super clear and ultra-low handling noise.

We have combined another exciting high-tech feature with our ultra-light diaphragm. A neodymium iron boron magnet has been used to achieve a high-output hand-held dynamic. The neodymium magnet allows more than two times the output of traditional dynamic hand-held microphones. A higher-output microphone provides a better overall signal-to-noise spec due to lower gain settings through the system.

We have combined the latest technologies into every aspect of the new PVM 835 to provide you with a product not to be outdated for a long time.

ARCHITECTURAL & ENGINEERING SPECIFICATIONS

The microphone shall be a moving coil dynamic with a frequency response of 45 Hz to 16 kHz. The microphone shall have a cardioid characteristic typically 20 dB down from the front response. The microphone shall have an output power level of -52 dB where 0 dB = 1 mW/Pascal and a nominal impedance rating of 400 ohms.

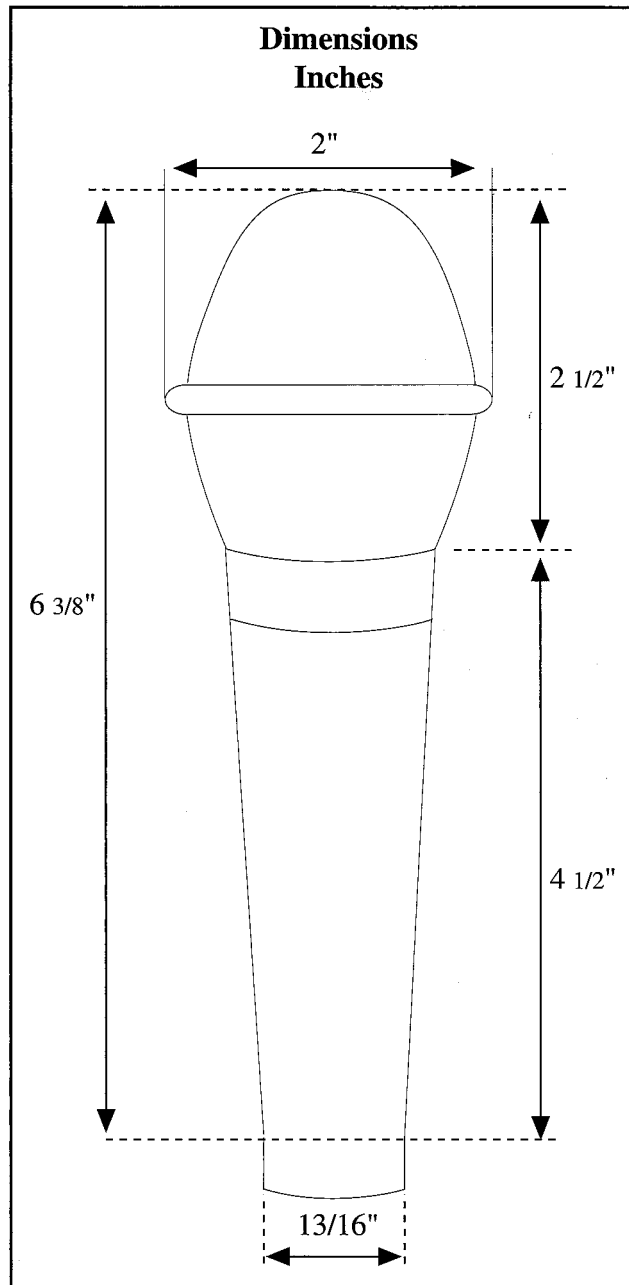
The microphone shall have a gray rubberized finish that can withstand the toughest of conditions. The microphone uses a standard mic clip for stand mounting. The connector shall be a three-pin XLR equivalent audio type.

PROXIMITY

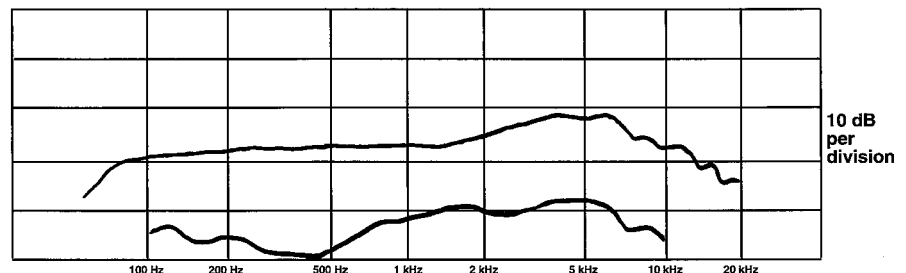
Proximity effect is a naturally occurring phenomenon in unidirectional microphones. The effect is to accentuate or boost the low frequency response. This effect is a function of distance from the diaphragm to the source and increases as the diaphragm is moved closer to the source.

ONE-YEAR LIMITED WARRANTY

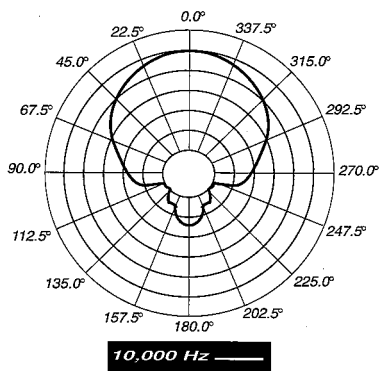
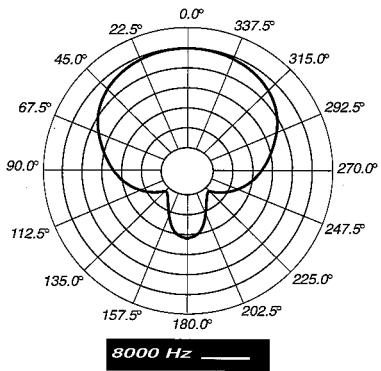
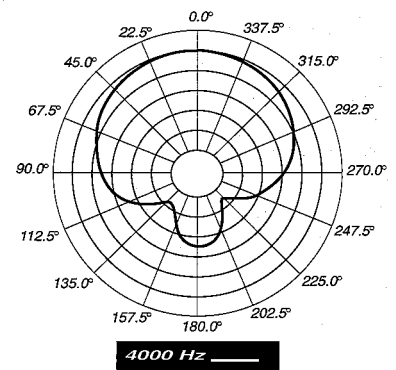
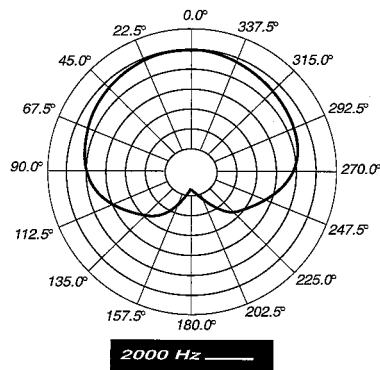
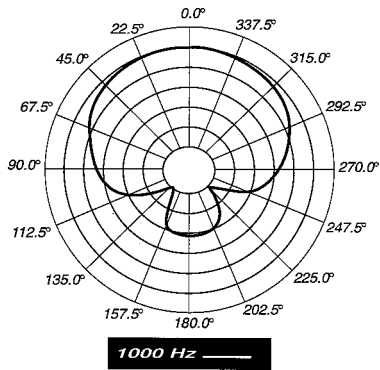
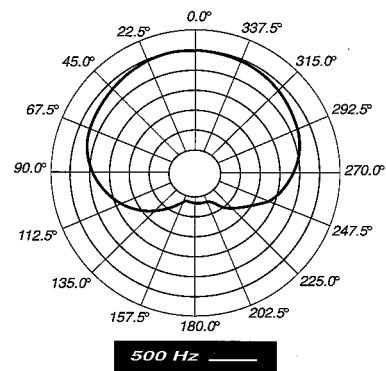
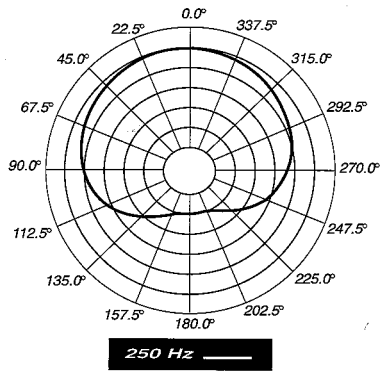
NOTE: For details, refer to the warranty statement. Copies of this statement may be obtained by contacting Peavey Electronics Corporation, P.O. Box 2898, Meridian, Mississippi 39302-2898.



FREQUENCY RESPONSE



PVM 835
POLAR PATTERNS
5 dB per division



Free Manuals Download Website

<http://myh66.com>

<http://usermanuals.us>

<http://www.somanuals.com>

<http://www.4manuals.cc>

<http://www.manual-lib.com>

<http://www.404manual.com>

<http://www.luxmanual.com>

<http://aubethermostatmanual.com>

Golf course search by state

<http://golfingnear.com>

Email search by domain

<http://emailbydomain.com>

Auto manuals search

<http://auto.somanuals.com>

TV manuals search

<http://tv.somanuals.com>