

SPECS

PEAVEY ELECTRONICS

PVM™ 880 Diamond Series Microphone

SPECIFICATIONS

Diaphragm Type:
Diamond Coated

Element Type:
Dynamic

Magnet Composition:
Neodymium Iron Boron

Polar Pattern:
Hypercardioid

Front-to-Back Rejection:
15 dB (typical)

Impedance:
400 ohms

Frequency Response:
45 Hz to 16 kHz

Sensitivity:
-52 dB (0 dB = 1 mW/Pascal)

Open Circuit Voltage:
-68 dB (0 dB = 1 volt/mBar)

Case (Housing):
Brass

Finish:
Rubberized paint

Pop Filter:
Dual integral open cell foam

Phasing:
Positive (inward) pressure on diaphragm produces positive voltage at pin #2.

Weight:
.62 lbs.

FEATURES

- Diamond coated diaphragm
- Neodynamic design
- Hypercardioid polar response
- Neodymium magnetic
- Superior off axis rejection
- Smooth, accurate frequency response
- Ultrahigh sensitivity



DESCRIPTION

The PVM™ 880 Diamond Series Microphone is a hypercardioid-polar pattern, hand-held microphone that has a tailored response for those users who like low-frequency emphasis. The hypercardioid pattern makes close micing easier, reducing crosstalk between microphones. The PVM 880 is an excellent vocal microphone for the user desiring low-frequency boost.

The most significant advances in microphone design have been achieved through the utilization of high-tech materials. Peavey is proud to say that we now offer a significant advancement in our microphone design. This advancement is achieved through the utilization of amorphous diamond-coated diaphragms—that's right, diamond. Peavey uses a patented technology to coat the microphone diaphragms with a super-thin coat of

diamond. This thin coat offers many advantages over the conventional laminating or coating materials. Everybody knows that diamond is the hardest substance known to man, but did you know that it is also super stiff? The stiffness is why we choose to use it on our diaphragms, achieving a stiff but ultra-light system. Just like the clarity of a high-grade diamond, the new PVM 880 offers clarity in a hand-held microphone that mimics those high-cost condenser microphones.

Another great advantage of the PVM 880 is that, combined with our new twin-tuned electro-mechanical shock mount system, it offers one of the lowest handling noises of any hand-held dynamic on the market. You can

PEAVEY®

hear the diamond difference immediately—super clear and ultra-low handling noise.

We have combined another exciting high-tech feature with our ultra-light diaphragm. A neodymium iron boron magnet has been used to achieve a high-output hand-held dynamic. The neodymium magnet allows more than two times the output of traditional dynamic hand-held microphones. A higher-output microphone provides a better overall signal-to-noise spec due to lower gain settings through the system.

We have combined the latest technologies into every aspect of the new PVM 880 to provide you with a product not to be outdated for a long time.

ARCHITECTURAL & ENGINEERING SPECIFICATIONS

The microphone shall be a moving coil dynamic with a frequency response of 45 Hz to 16 kHz. The microphone shall have a hypercardioid characteristic typically 15 dB down from the front response. The microphone shall have an output power level of -52 dB where 0 dB = 1 mW/Pascal and a nominal impedance rating of 400 ohms.

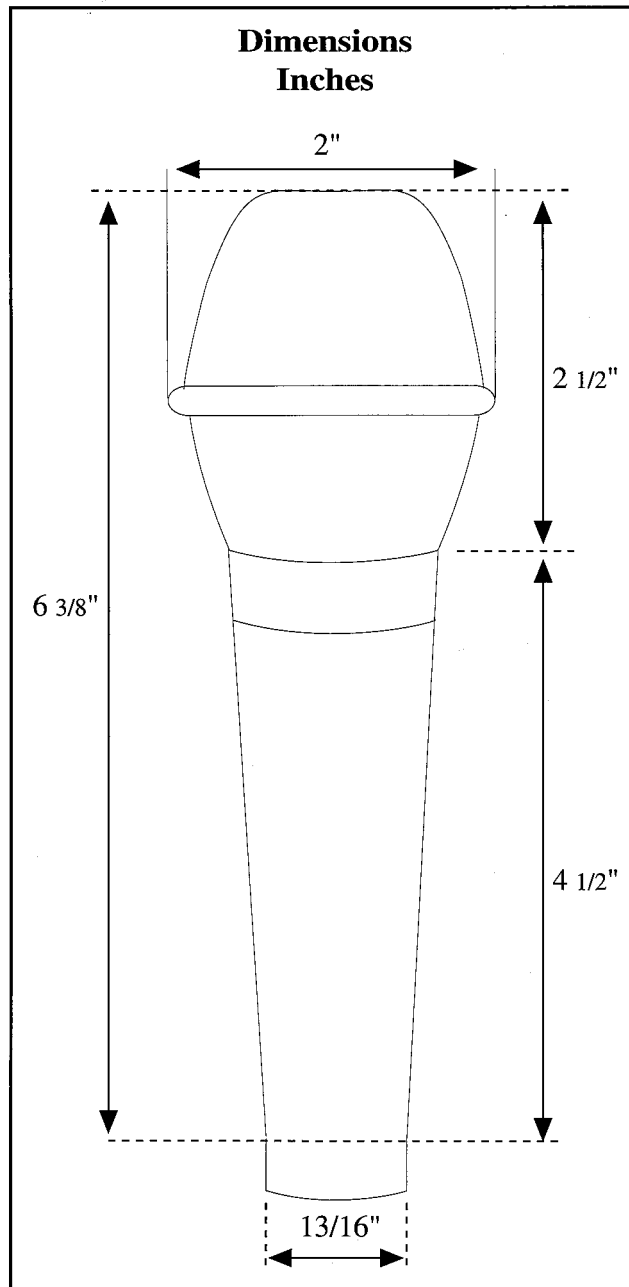
The microphone shall have a gray rubberized finish that can withstand the toughest of conditions. The microphone uses a standard mic clip for stand mounting. The connector shall be a three-pin XLR equivalent audio type.

PROXIMITY

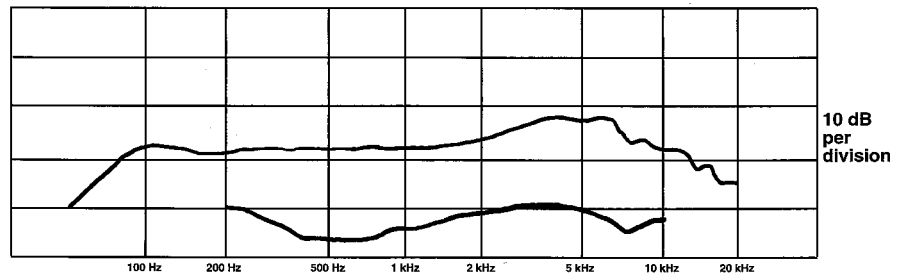
Proximity effect is a naturally occurring phenomenon in unidirectional microphones. The effect is to accentuate or boost the low frequency response. This effect is a function of distance from the diaphragm to the source and increases as the diaphragm is moved closer to the source.

ONE-YEAR LIMITED WARRANTY

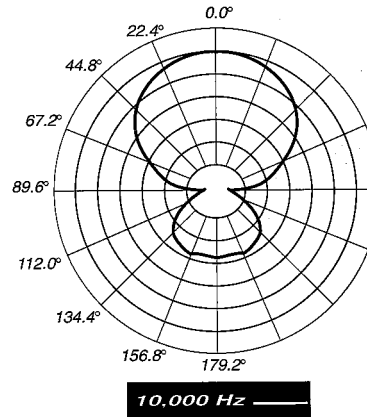
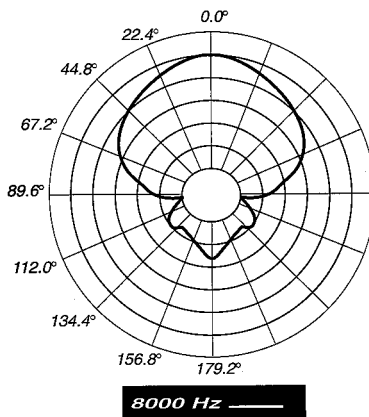
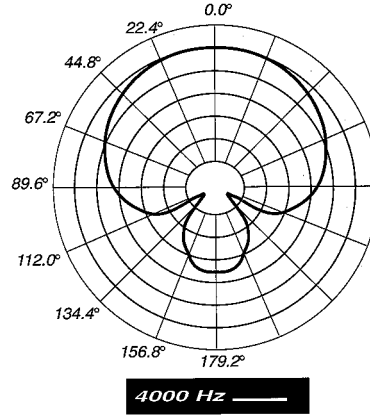
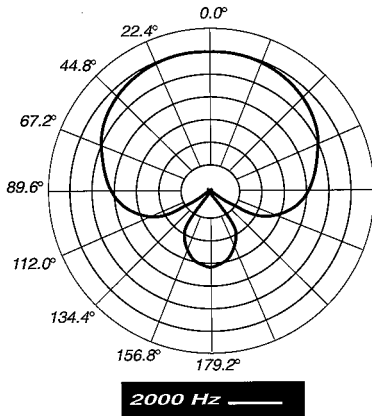
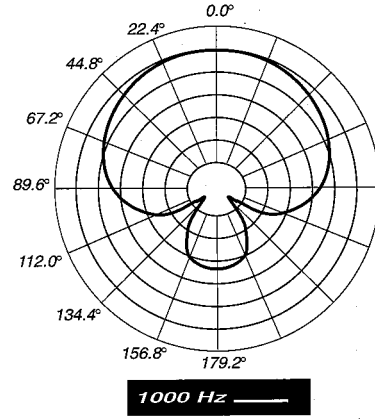
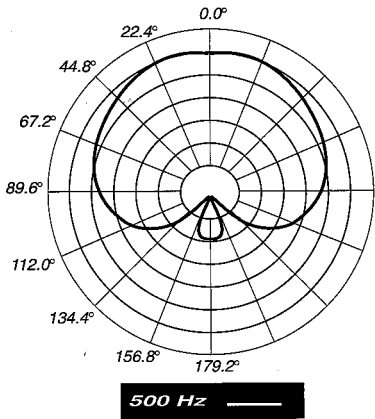
NOTE: For details, refer to the warranty statement. Copies of this statement may be obtained by contacting Peavey Electronics Corporation, P.O. Box 2898, Meridian, Mississippi 39302-2898.



FREQUENCY RESPONSE



PVM 880
POLAR PATTERNS
5 dB per division



Free Manuals Download Website

<http://myh66.com>

<http://usermanuals.us>

<http://www.somanuals.com>

<http://www.4manuals.cc>

<http://www.manual-lib.com>

<http://www.404manual.com>

<http://www.luxmanual.com>

<http://aubethermostatmanual.com>

Golf course search by state

<http://golfingnear.com>

Email search by domain

<http://emailbydomain.com>

Auto manuals search

<http://auto.somanuals.com>

TV manuals search

<http://tv.somanuals.com>