

IRM 8150

Powered Mixer



Intended to alert the user to the presence of uninsulated "dangerous voltage" within the product's enclosure that may be of sufficient magnitude to constitute a risk of electric shock to persons.



Intended to alert the user of the presence of important operating and maintenance (servicing) instructions in the literature accompanying the product.

CAUTION: Risk of electrical shock – DO NOT OPEN!

CAUTION: To reduce the risk of electric shock, do not remove cover. No user serviceable parts inside. Refer servicing to qualified service personnel.

WARNING: To prevent electrical shock or fire hazard, do not expose this appliance to rain or moisture. Before using this appliance, read the operating guide for further warnings.

Thank you for purchasing the Peavey IRM™ 8150 mixer amplifier. This is an eight-channel, easy-to-use, powered mixer.

Your IRM™ 8150 features a rugged, heavy-gauge, cold-rolled steel and aluminum chassis, finished in oven-cured epoxy for toughness and screen-printed utilizing the latest photographic film and U.V.-cured ink technology for razor-sharp, hard-wearing control I.D. and calibration graphics.

Every on-board component has been carefully chosen to deliver the highest possible performance. Precision, professional reliability and absolute minimal operating noise characteristics are among the initial criteria used during the process of selecting the components that ensure that your IRM™ 8150 becomes an indispensable addition to your performance equipment.

All printed circuit boards are constructed from rugged, U.S. military-spec material, using the latest automated assembly technology, wave solder, and computer-controlled "all-faults-analyzed-and-corrected" Q.A. procedures.

Each channel features front panel main and monitor level controls, as well as high, mid, low equalization and AUX send controls. Every input channel has a studio-quality low impedance (XLR-type input) microphone input as well as a 1/4" line input. Switchable +48 V phantom power is provided.

The unit features a 150 watt power amplifier.

CHANNEL SECTION:

LEVEL (1)

Controls the channel output level. This signal is routed via the main bus to the main level control. The channel level also affects the signal to the AUX send control.

MONITOR (MON.) (2)

Controls the channel monitor mix level. This is independent of all other channel controls. Controls the amount of signal from a particular channel in the monitor mix. This signal is routed to the Mon. control in the master section.

LOW EQ (3)

Controls the channel low EQ level. An active tone control (shelving type, ± 12 dB) that varies the low frequency range.

MID EQ (4)

Controls the channel mid EQ level. An active tone control (peak/notch, ± 12 dB) that adjusts the mid frequency range.

HIGH EQ (5)

Controls the channel high EQ level. An active tone control (shelving type, ± 12 dB) that varies the high frequency range.

AUX SEND (6)

Controls the channel AUX drive level. This signal is routed to the AUX master control, where AUX send signals from all channels are summed together. Controls amount of send from a particular channel to AUX output. The channel level control also affects the signal from the AUX send.

MASTER SECTION:**POWER INDICATOR:****PILOT LIGHT LED (7)**

Illuminates when AC power is being supplied to the amp.

9-BAND GRAPHIC EQ (8)

Provides +6 dB, -12 dB equalization at each center frequency. EQ boost is obtained by moving a particular EQ band's slide control above the center line. EQ cut is obtained by moving a particular EQ band's slide control below the center line.

OPERATION NOTE: This equalizer is designed to provide room equalization, feedback control and system tone control. No amount of equalization will correct the response curve of a poor loudspeaker. Always begin with all sliders in the "0" position and avoid excessively cutting large segments of the audio passband, which would limit the system's dynamic range. Also, avoid boosting sliders excessively. This limits the headroom of the amplifier and can cause clipping if excessive channel EQ boost is used simultaneously.

MAIN (9)

Controls the overall volume level of the main system. The signal from this control is available at the main output (20). Under normal conditions this signal is also internally patched through the graphic EQ and power amplifier so that this control sets the volume of the speakers connected to the output barrier strip (30). Maximum master signal level is obtained by rotating this control fully clockwise. Minimum master signal level cut is obtained by rotating this control fully counterclockwise.

MONITOR (10)

Controls the overall monitor mix level. Maximum monitor signal level is obtained by rotating this control fully clockwise. Minimum monitor signal level is obtained by rotating this control fully counterclockwise. The monitor signal is supplied to the monitor output jack (21).

AUX (11)

Controls the signal level supplied to the AUX output jack (22). Maximum AUX signal level is obtained by rotating this control fully clockwise. Minimum effects signal level is obtained by rotating this control fully counterclockwise.

TAPE SECTION:**TAPE OUT LEVEL (12)**

Controls the signal level at the tape out jacks (16). Signal is derived from the main output, but operation is independent of the main master level control (9) and the graphic equalizer (8).

TAPE/AUX IN LEVEL (13)

When external signals are patched into the tape in jacks (15) or the auxiliary input (25), TAPE/AUX IN LEVEL (13) provides control over the level of signals sent from these inputs to the main mix.

TAPE/AUX TO MON (14)

Controls the level of tape or AUX IN signal to be sent to the mon. bus. This signal will be mixed with channel monitor signals.

TAPE OUT/TAPE IN: CAUTION

Before placing connected tape decks in the "record" mode, set the TAPE/AUX IN level control to "0" or off. Most tape decks feed the input signal directly to the output when in record mode. This creates a "closed loop" condition from the tape out to tape in jack which can affect the operational level or sonic quality of the system and cause feedback.

TAPE IN (RCA TYPE) JACKS (15)

These two jacks provide a paralleled input for proper mono mixing of stereo tape deck outputs. For monaural tape sources, use either jack.

TAPE OUT (RCA TYPE) JACKS (16)

These two jacks provide the same monaural signal to be supplied to the left and right inputs of a stereo tape deck. Output level is determined by the TAPE OUT (12) level control.

REAR PANEL INPUT/OUTPUT SECTION:**BALANCED LOW IMPEDANCE INPUT (17)**

For use with low impedance microphones or low-level sources equipped with an XLR connector.

LINE INPUT JACK (18)

For use with line level signal or compatible high Z microphones equipped with a 1/4" phone plug.

NOTE: These input jacks (17 & 18) are typical of each channel. It is possible to use both the mic and line inputs on a single channel simultaneously. It is, however, unlikely that the gain matching of the mic and line will allow this hookup to be useful. This practice is not recommended.

PHANTOM POWER ON/OFF (19)

This switch selects phantom power "ON" or "OFF" for all channels. Phantom power is on when the switch is in the in position and off when the switch is in the out position. This switch should be activated for use with condenser-type microphones. Phantom voltage is +48 V DC on pins 2 and 3 referenced to pin 1.

MAIN OUTPUT (20)

This 1/4" jack provides a signal from the main system mix before the graphic equalizer. Used primarily to feed an auxiliary amplifier/speaker system. (See wiring diagram).

MONITOR OUTPUT (21)

This 1/4" jack provides a signal from the MONITOR mix for an external monitor amplifier/speaker system. The level is determined by the channel monitor and master monitor controls.

AUX OUTPUT (22)

This 1/4" jack provides a signal from the AUX mix for external effects or signal-processing equipment. This output can also be used for other purposes if external effects are not required. These include building a separate mix for recording or broadcasting.

GRAPHIC INPUT (23)

This 1/4" jack provides an input to the internal graphic equalizer/power amp. This is a switching jack: a signal inserted here interrupts the normal signal path from the main bus into the equalizer.

OPERATION NOTE: This jack permits the equalizer to be switched away from its normal input and accept an external signal to be equalized, such as the monitor output.

GRAPHIC OUT (24)

This 1/4" jack provides access to the output of the internal graphic equalizer. A plug inserted into this jack does not switch the EQ output away from the input to the power amplifier.

AUXILIARY INPUT (25)

This 1/4" jack provides access to an input to the main mixing bus for patching in returns from external effects devices, extra mixing channels, etc. Using this jack defeats both tape in jacks.

POWER AMP INPUT (26)

This 1/4" jack provides access to connect external line-level signals to the power amplifier.

OPERATION NOTE: This jack permits the internal power amplifier to be switched away from its normal input and to accept external line-level signals.

AC POWER AND POWER AMPLIFIER OUTPUT SECTION:

FUSE (27)

The fuse is located within the cap of the fuseholder. If the fuse should fail, IT MUST BE REPLACED WITH THE SAME TYPE AND VALUE IN ORDER TO AVOID DAMAGE TO THE EQUIPMENT AND TO PRE-

VENT VOIDING THE WARRANTY. If the amp repeatedly blows fuses, it should be taken to a qualified service center for repair.

WARNING: THE FUSE SHOULD ONLY BE REPLACED WHEN THE POWER CORD HAS BEEN DISCONNECTED FROM ITS POWER SOURCE.

POWER SWITCH (28)

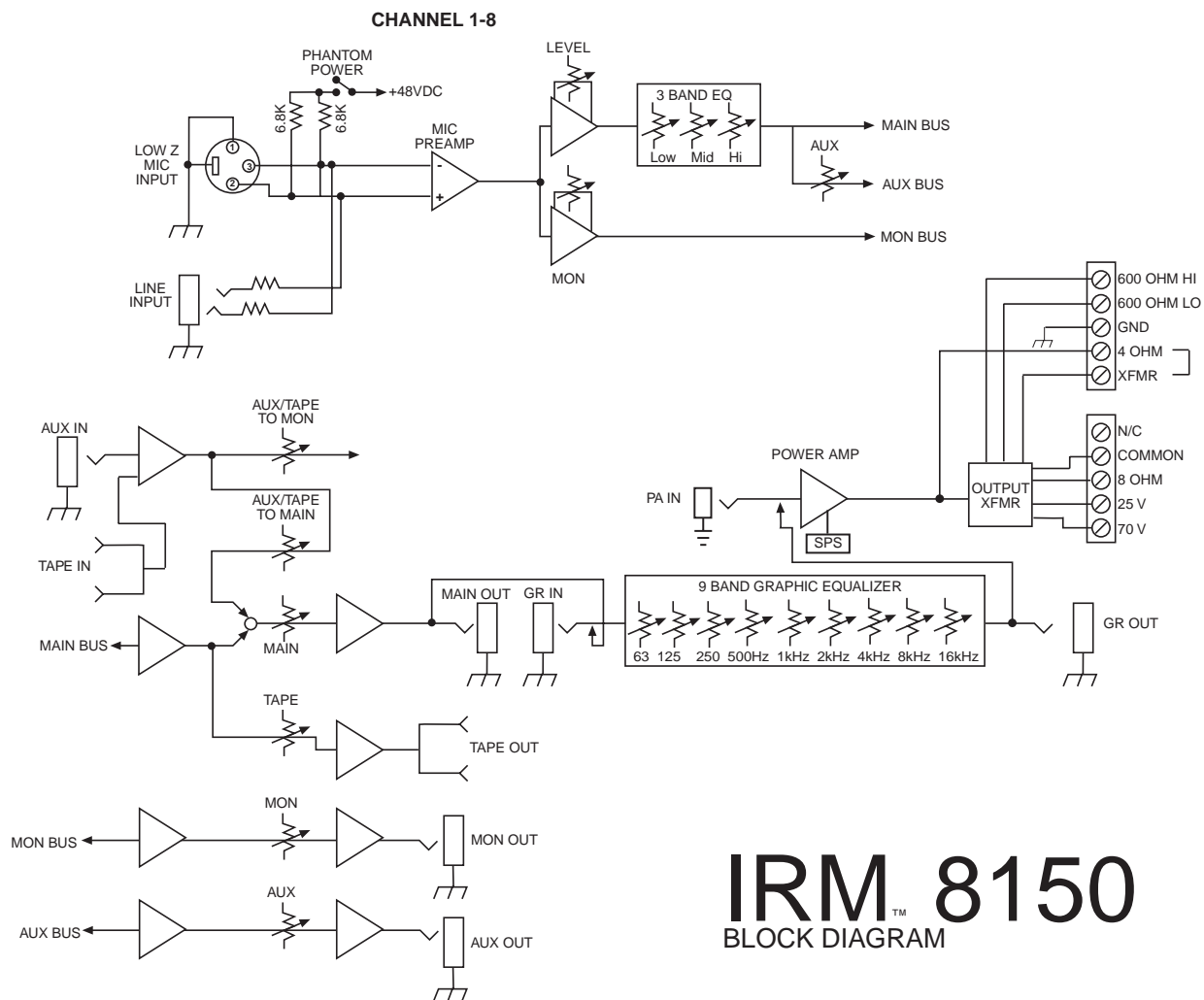
Center position is OFF. Two ON positions are provided, one of which will properly ground the amplifier. Switch to the ON side that yields the lowest amount of residual hum or popping noise when the instrument is touched. 220 and 240 volt models have a two-way on/off switch only.

LINE CORD (120 V PRODUCTS ONLY) (29)

For your safety, we have incorporated a three-wire line (mains) cable with proper grounding facilities. It is not advisable to remove the ground pin under any circumstances. If it is necessary to use the equipment without proper grounding facilities, suitable grounding adaptors should be used. Less noise and greatly reduced shock hazard exist when the unit is operated with the proper grounded receptacles.

OUTPUT BARRIER STRIP (30)

Provided for connection of external speakers. Power output is 150 watts RMS. This is available as a direct output from the power amplifier or as transformer isolated outputs. Transformer outputs can be used for an 8 ohm (35 V) loudspeaker or used to drive 25 V or 70 V speaker systems. Only one output should be used at a time. The balanced transformer isolated line level output is provided for connection to booster power amplifiers, additional sound systems, etc. This output is designed to deliver 1 V RMS into a 600 ohm load.



IRM™ 8150
BLOCK DIAGRAM

SPECIFICATIONS

NOTE: All specifications are typical unless otherwise noted.

0 dBV = 1 volt RMS

0 dBu = .778 volts RMS

All specs are referenced to nominal output level (0 dBV) unless otherwise noted.

All measurements are wideband 20 Hz to 20 kHz unless otherwise stated.

All control settings are nominal (50% rotation) unless otherwise noted.

CHANNEL

Equivalent Input Noise:

-114.5 dBV @ 40 dB max gain

Frequency Response:

(to speaker outputs)

±1 dB 20 Hz to 20 kHz

Distortion:

(1 kHz)

Less than .015%

Input Impedance:

Low Z Bal = 1.7 K ohms

Line Input = 13 K ohms

High EQ:

±12 dB @ 10 kHz minimum

center detent flat ±2 dB

Mid EQ:

±12 dB @ 600 Hz minimum

center detent flat ±2 dB

Low EQ:

±12 dB @ 50 Hz minimum

Center detent flat ±2 dB

Nominal Channel Gain:

Low Z = 20 dB

Line = 0 dB

Minimum Channel Gain:

Low Z = -69 dB

Line = -89 dB

Maximum Channel Gain:

Low Z = 40 dB

Line = 20 dB

Nominal Input Level:

Low Z = -20 dBV

Line = 0 dBV

Minimum Input Level:

Low Z = -40 dBV

Line = -20 dBV

Maximum Input Level:

Low Z = +6 dB

Line = +26 dB

Phantom Power:

+48 V DC

GRAPHIC EQUALIZER:

Filter Bandwidth:

1 octave

Filter Frequencies:

(ISO Stds.)

63 Hz, 125 Hz, 250 Hz, 1 kHz, 2 kHz, 4 kHz, 8 kHz, 16 kHz

Filter Q:

1.57

Maximum Boost & Cut:

+6 dB, -12 dB

Noise:

-100 dBV

Distortion:

(1 kHz)

Less than .005%

Frequency Response:

±1 dB 7 Hz to 40 kHz

Input Level:

Nom = 0 dBV (1.0 V RMS)

Max = +19 dBV (9 V RMS)

Output Level:

Nom = 0 dBV (1.0 V RMS)

Max = +19 dBV (9 V RMS)

Input Impedance:

10 K ohms

Output Impedance:

100 ohms

MASTER**Gain:**

Main: = 20 dB

Monitor: = 15 dB

Tape: = 15 dB

Aux: = 15 dB

Maximum Output Level:

Main: = +18 dBV (8.0 V RMS)

Monitor: = +18 dBV (8.0 V RMS)

Tape: = +18 dBV (8.0 V RMS)

Aux: = +18 dBV (8.0 V RMS)

Nominal Headroom:

Main: = 18 dB

Monitor: = 18 dB

Tape: = 18 dB

Aux: = 18 dB

Output Impedance:

Main: = 100 ohms

Monitor: = 100 ohms

Tape: = 10 K ohms

Aux: = 100 ohms

Output Noise:

Residual: -100 dBV

(Master Level Down)

Bus: -94 dBV

(Master Nominal, All Channel Level Full CCW,
Aux Returns Down)

Nominal: -86 dBV

(All Controls Nominal, Low Z Input Terminated
150 ohms)**Aux Input Impedance:**

120 K ohms

Aux Input Level:

Nom: 0 dBV

Max: +7 dBV

Min: -15 dBV

Tape Input Level:

Nom: +4 dBV

Max: +11 dBV

Min: -10 dBV

POWER AMP SECTION**Frequency Response:**

+0, -1 dB 20 Hz to 20 kHz @ Rated Power (direct out)

+0, -1 dB 50 Hz to 20 kHz @ Rated Power (XFMR
outputs)**Rated Power:**

Direct Out:

150 watts RMS @ 4 ohms

XFMR Outputs:

150 watts RMS @ 8 ohms

150 watts RMS @ 25 V (4 ohms)

150 watts RMS @ 70 V (33 ohms)

1 V RMS into 600 ohms

Intermodulation Distortion:Less than 0.1%, (10 mW to rated power, 250 Hz & 7
kHz, 4 ohms)**Total Harmonic Distortion:**

Less than 0.1%

SPS™ Dynamic Range:

Greater than 26 dB

SPS™ Maximum Distortion:

Below 0.5% THD for 6 dB overload

Below 1% THD for 20 dB overload

Hum & Noise:

-92 dB below 150 watts

Slew Rate:

15 V/μSec

Damping Factor:

Greater than 100 @ 1 kHz, 4 ohms

Input Sensitivity:

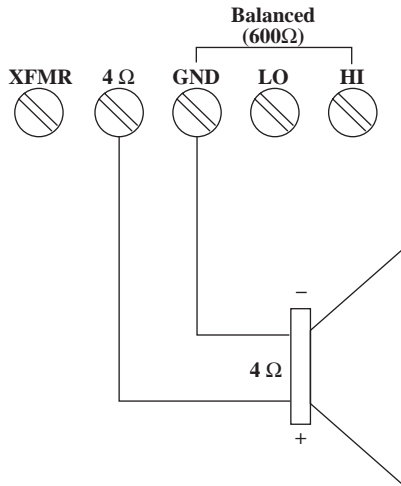
1 V RMS for 150 watts @ 4 ohms

Input Impedance:

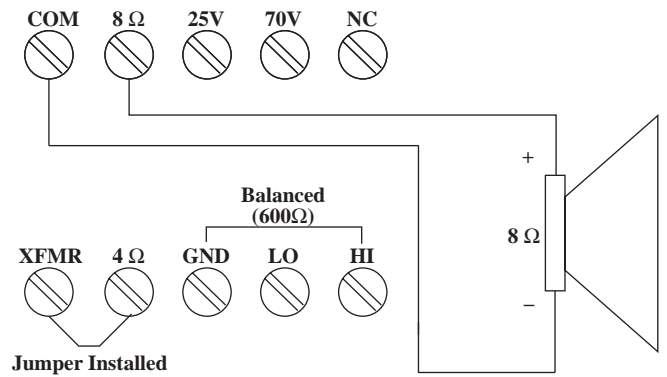
19 K ohms

Power Requirements:

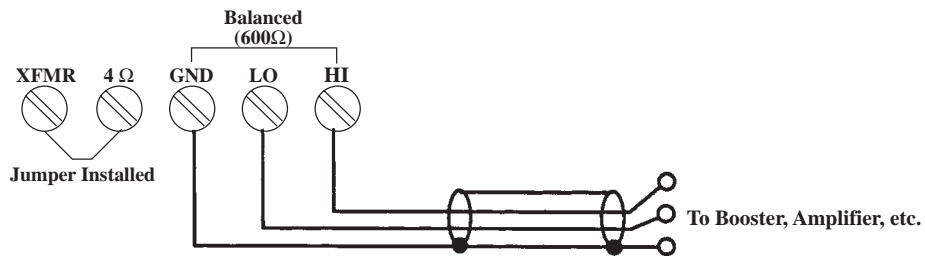
800 watts, 120 V AC, 60 Hz



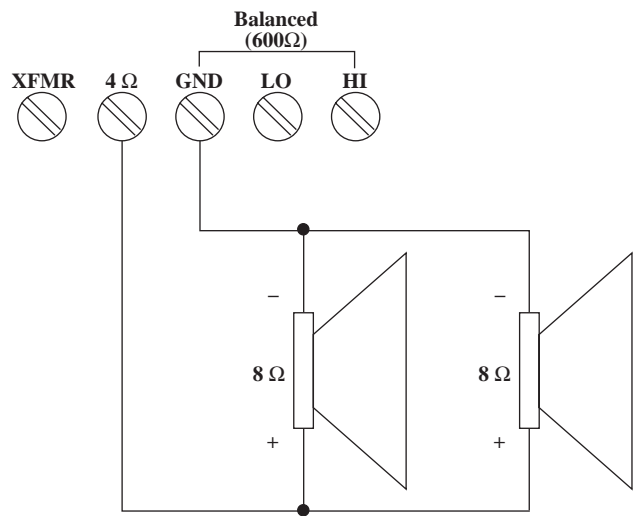
Direct Output to 4Ω Speaker



**Transformer Output to 8Ω Speaker
(Note: Jumper must be in place.)**

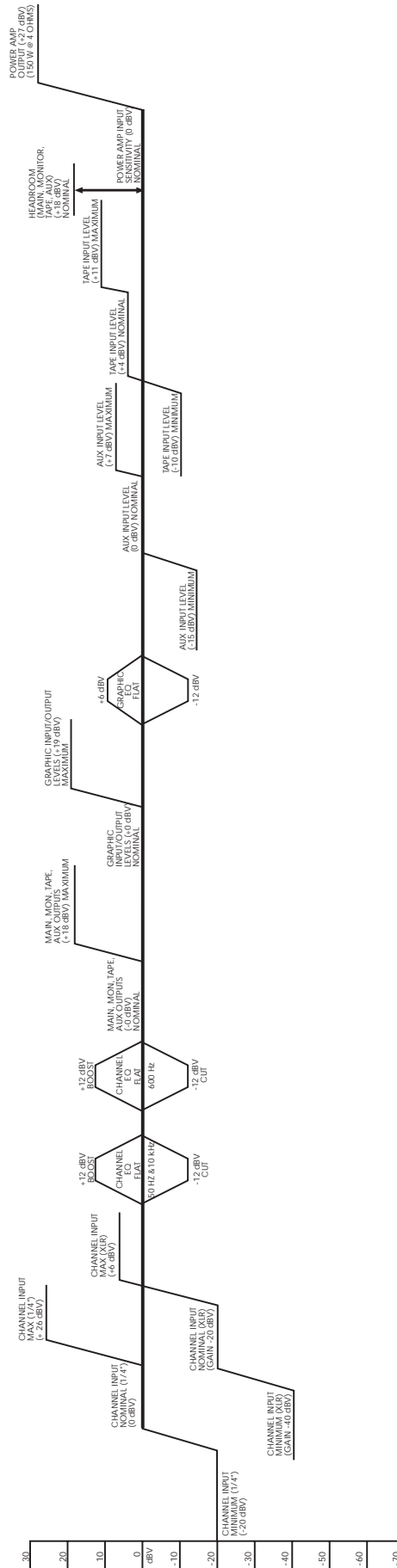


**Balanced Output Connection
(Note: Jumper must be in place.)**



**Direct Output to Multiple Speakers in Parallel.
Total Impedance = $4\ \Omega$**

IRM™ 8150 LEVEL CHART



LIMITED WARRANTY

Peavey Electronics Corporation warrants to the original purchaser of this new Architectural Acoustics product that it is free from defects in material and workmanship. If within one (1) year from date of purchase a properly installed product proves to be defective and Peavey is notified, Peavey will repair or replace it at no charge. (Note: Batteries and patch cords not covered.) "Original purchaser" means the customer for whom the product is originally installed.

Damage resulting from improper installation, interconnection of a unit or system of another manufacturer, accident or unreasonable use, neglect or any other cause not arising from defects in material and workmanship is not covered by this warranty. The warranty is valid only as to products purchased and installed in the United States.

THIS LIMITED WARRANTY IS IN LIEU OF ANY AND ALL WARRANTIES, EXPRESSED OR IMPLIED, INCLUDING THE IMPLIED WARRANTIES OF MERCHANTABILITY AND FITNESS FOR A PARTICULAR USE. UNDER NO CIRCUMSTANCES WILL PEAVEY BE LIABLE FOR ANY LOST PROFITS, LOST SAVINGS, INCIDENTAL DAMAGES OR CONSEQUENTIAL DAMAGES ARISING OUT OF THE USE OR INABILITY TO USE THE PRODUCT, EVEN IF PEAVEY HAS BEEN ADVISED OF THE POSSIBILITY OF SUCH DAMAGE. THIS LIMITED WARRANTY IS THE ONLY EXPRESSED WARRANTY ON THIS PRODUCT, AND NO OTHER STATEMENT, REPRESENTATION, WARRANTY, OR AGREEMENT BY ANY PERSON SHALL BE VALID OR BINDING UPON PEAVEY.

Peavey's liability to the original purchaser for damages for any cause whatsoever and regardless of the form of action is limited to the actual damages up to the greater of Five Hundred Dollars (\$500) or an amount equal to the purchase price of the product that caused the damage or that is the subject of or is directly related to the cause of action. This limitation of liability will not apply to claims for personal injury or damage to real property or tangible personal property allegedly caused by Peavey's negligence. For information on service under this warranty, call a Peavey customer service representative at (601) 483-5376.

IMPORTANT SAFETY INSTRUCTIONS

WARNING: When using electric products, basic cautions should always be followed, including the following.

1. Read all safety and operating instructions before using this product.
2. All safety and operating instructions should be retained for future reference.
3. Obey all cautions in the operating instructions and on the back of the unit.
4. All operating instructions should be followed.
5. This product should not be used near water, i.e., a bathtub, sink, swimming pool, wet basement, etc.
6. This product should be located so that its position does not interfere with its proper ventilation. It should not be placed flat against a wall or placed in a built-in enclosure that will impede the flow of cooling air.
7. This product should not be placed near a source of heat such as a stove, radiator, or another heat producing amplifier.
8. Connect only to a power supply of the type marked on the unit adjacent to the power supply cord.
9. Never break off the ground pin on the power supply cord. For more information on grounding, write for our free booklet "Shock Hazard and Grounding."
10. Power supply cords should always be handled carefully. Never walk or place equipment on power supply cords. Periodically check cords for cuts or signs of stress, especially at the plug and the point where the cord exits the unit.
11. The power supply cord should be unplugged when the unit is to be unused for long periods of time.
12. If this product is to be mounted in an equipment rack, rear support should be provided.
13. Metal parts can be cleaned with a damp rag. The vinyl covering used on some units can be cleaned with a damp rag or an ammonia-based household cleaner if necessary. Disconnect unit from power supply before cleaning.
14. Care should be taken so that objects do not fall and liquids are not spilled into the unit through the ventilation holes or any other openings.
15. This unit should be checked by a qualified service technician if:
 - a. The power supply cord or plug has been damaged.
 - b. Anything has fallen or been spilled into the unit.
 - c. The unit does not operate correctly.
 - d. The unit has been dropped or the enclosure damaged.
16. The user should not attempt to service this equipment. All service work should be done by a qualified service technician.
17. This product should be used only with a cart or stand that is recommended by Peavey Electronics.
18. Exposure to extremely high noise levels may cause a permanent hearing loss. Individuals vary considerably in susceptibility to noise induced hearing loss, but nearly everyone will lose some hearing if exposed to sufficiently intense noise for a sufficient time. The U.S. Government's Occupational Safety and Health Administration (OSHA) has specified the following permissible noise level exposures.

Duration Per Day In Hours	Sound Level dBA, Slow Response
8	90
6	92
4	95
3	97
2	100
1 1/2	102
1	105
1/2	110
1/4 or less	115

According to OSHA, any exposure in excess of the above permissible limits could result in some hearing loss.

Ear plugs or protectors in the ear canals or over the ears must be worn when operating this amplification system in order to prevent a permanent hearing loss if exposure is in excess of the limits as set forth above. To ensure against potentially dangerous exposure to high sound pressure levels, it is recommended that all persons exposed to equipment capable of producing high sound pressure levels such as this amplification system be protected by hearing protectors while this unit is in operation.

SAVE THESE INSTRUCTIONS!



Features and specifications subject to change without notice.

A Division of **Peavey Electronics Corporation**

711 A Street / Meridian, MS 39302-2898 / U.S.A. / (601) 483-5376 / Telex 504115 / Fax 486-1278

#80302192

Printed in U.S.A. 10/94

©1994

Free Manuals Download Website

<http://myh66.com>

<http://usermanuals.us>

<http://www.somanuals.com>

<http://www.4manuals.cc>

<http://www.manual-lib.com>

<http://www.404manual.com>

<http://www.luxmanual.com>

<http://aubethermostatmanual.com>

Golf course search by state

<http://golfingnear.com>

Email search by domain

<http://emailbydomain.com>

Auto manuals search

<http://auto.somanuals.com>

TV manuals search

<http://tv.somanuals.com>