

# PV<sup>®</sup> 6 Compact Mixer Operations Guide



For more information on other great Peavey products, go to your local Peavey dealer or online at [www.peavey.com](http://www.peavey.com)





Intended to alert the user to the presence of uninsulated “dangerous voltage” within the product’s enclosure that may be of sufficient magnitude to constitute a risk of electric shock to persons.



Intended to alert the user of the presence of important operating and maintenance (servicing) instructions in the literature accompanying the product.

**CAUTION:** Risk of electrical shock — DO NOT OPEN!

**CAUTION:** To reduce the risk of electric shock, do not remove cover. No user serviceable parts inside. Refer servicing to qualified service personnel.

---

**WARNING:** To prevent electrical shock or fire hazard, do not expose this appliance to rain or moisture. Before using this appliance, read the operating guide for further warnings.



Este símbolo tiene el propósito, de alertar al usuario de la presencia de “(voltaje) peligroso” sin aislamiento dentro de la caja del producto y que puede tener una magnitud suficiente como para constituir riesgo de descarga eléctrica.



Este símbolo tiene el propósito de alertar al usuario de la presencia de instrucciones importantes sobre la operación y mantenimiento en la información que viene con el producto.

**PRECAUCION:** Riesgo de descarga eléctrica ¡NO ABRIR!

**PRECAUCION:** Para disminuir el riesgo de descarga eléctrica, no abra la cubierta. No hay piezas útiles dentro. Deje todo mantenimiento en manos del personal técnico cualificado.

**ADVERTENCIA:** Para evitar descargas eléctricas o peligro de incendio, no deje expuesto a la lluvia o humedad este aparato. Antes de usar este aparato, lea más advertencias en la guía de operación.



Ce symbole est utilisé dans ce manuel pour indiquer à l'utilisateur la présence d'une tension dangereuse pouvant être d'amplitude suffisante pour constituer un risque de choc électrique.



Ce symbole est utilisé dans ce manuel pour indiquer à l'utilisateur qu'il ou qu'elle trouvera d'importantes instructions concernant l'utilisation et l'entretien de l'appareil dans le paragraphe signalé.

**ATTENTION:** Risques de choc électrique — NE PAS OUVRIR!

**ATTENTION:** Afin de réduire le risque de choc électrique, ne pas enlever le couvercle. Il ne se trouve à l'intérieur aucune pièce pouvant être réparée par l'utilisateur. Confiez l'entretien et la réparation de l'appareil à un réparateur Peavey agréé.

**AVERTISSEMENT:** Afin de prévenir les risques de décharge électrique ou de feu, n'exposez pas cet appareil à la pluie ou à l'humidité. Avant d'utiliser cet appareil, lisez attentivement les avertissements supplémentaires de ce manuel.



Dieses Symbol soll den Anwender vor unisolierten gefährlichen Spannungen innerhalb des Gehäuses warnen, die von Ausreichender Stärke sind, um einen elektrischen Schlag verursachen zu können.



Dieses Symbol soll den Benutzer auf wichtige Instruktionen in der Bedienungsanleitung aufmerksam machen, die Handhabung und Wartung des Produkts betreffen.

**VORSICHT:** Risiko — Elektrischer Schlag! Nicht öffnen!

**VORSICHT:** Um das Risiko eines elektrischen Schlages zu vermeiden, nicht die Abdeckung entfernen. Es befinden sich keine Teile darin, die vom Anwender repariert werden könnten. Reparaturen nur von qualifiziertem Fachpersonal durchführen lassen.

**ACHTUNG:** Um einen elektrischen Schlag oder Feuergefahr zu vermeiden, sollte dieses Gerät nicht dem Regen oder Feuchtigkeit ausgesetzt werden. Vor Inbetriebnahme unbedingt die Bedienungsanleitung lesen.

## IMPORTANT SAFETY INSTRUCTIONS

**WARNING:** When using electrical products, basic cautions should always be followed, including the following:

1. Read these instructions.
2. Keep these instructions.
3. Heed all warnings.
4. Follow all instructions.
5. Do not use this apparatus near water.
6. Clean only with a dry cloth.
7. Do not block any of the ventilation openings. Install in accordance with manufacturer's instructions.
8. Do not install near any heat sources such as radiators, heat registers, stoves or other apparatus (including amplifiers) that produce heat.
9. Do not defeat the safety purpose of the polarized or grounding-type plug. A polarized plug has two blades with one wider than the other. A grounding type plug has two blades and a third grounding plug. The wide blade or third prong is provided for your safety. If the provided plug does not fit into your outlet, consult an electrician for replacement of the obsolete outlet.
10. Protect the power cord from being walked on or pinched, particularly at plugs, convenience receptacles, and the point they exit from the apparatus.
11. Note for UK only: If the colors of the wires in the mains lead of this unit do not correspond with the terminals in your plug, proceed as follows:
  - a) The wire that is colored green and yellow must be connected to the terminal that is marked by the letter E, the earth symbol, colored green or colored green and yellow.
  - b) The wire that is colored blue must be connected to the terminal that is marked with the letter N or the color black.
  - c) The wire that is colored brown must be connected to the terminal that is marked with the letter L or the color red.
12. Only use attachments/accessories provided by the manufacturer.
13. Use only with a cart, stand, tripod, bracket, or table specified by the manufacturer, or sold with the apparatus. When a cart is used, use caution when moving the cart/apparatus combination to avoid injury from tip-over.
14. Unplug this apparatus during lightning storms or when unused for long periods of time.
15. Refer all servicing to qualified service personnel. Servicing is required when the apparatus has been damaged in any way, such as power-supply cord or plug is damaged, liquid has been spilled or objects have fallen into the apparatus, the apparatus has been exposed to rain or moisture, does not operate normally, or has been dropped.
16. Never break off the ground pin. Write for our free booklet "Shock Hazard and Grounding." Connect only to a power supply of the type marked on the unit adjacent to the power supply cord.
17. If this product is to be mounted in an equipment rack, rear support should be provided.
18. Exposure to extremely high noise levels may cause a permanent hearing loss. Individuals vary considerably in susceptibility to noise-induced hearing loss, but nearly everyone will lose some hearing if exposed to sufficiently intense noise for a sufficient time. The U.S. Government's Occupational and Health Administration (OSHA) has specified the following permissible noise level exposures:

Duration Per Day In Hours	Sound Level dBA, Slow Response
8	90
6	92
4	95
3	97
2	100
1 ½	102
1	105
½	110
¼ or less	115

According to OSHA, any exposure in excess of the above permissible limits could result in some hearing loss. Ear plugs or protectors to the ear canals or over the ears must be worn when operating this amplification system in order to prevent a permanent hearing loss, if exposure is in excess of the limits as set forth above. To ensure against potentially dangerous exposure to high sound pressure levels, it is recommended that all persons exposed to equipment capable of producing high sound pressure levels such as this amplification system be protected by hearing protectors while this unit is in operation.

**SAVE THESE INSTRUCTIONS!**

**PV<sup>®</sup>6 Compact Mixer****Description**

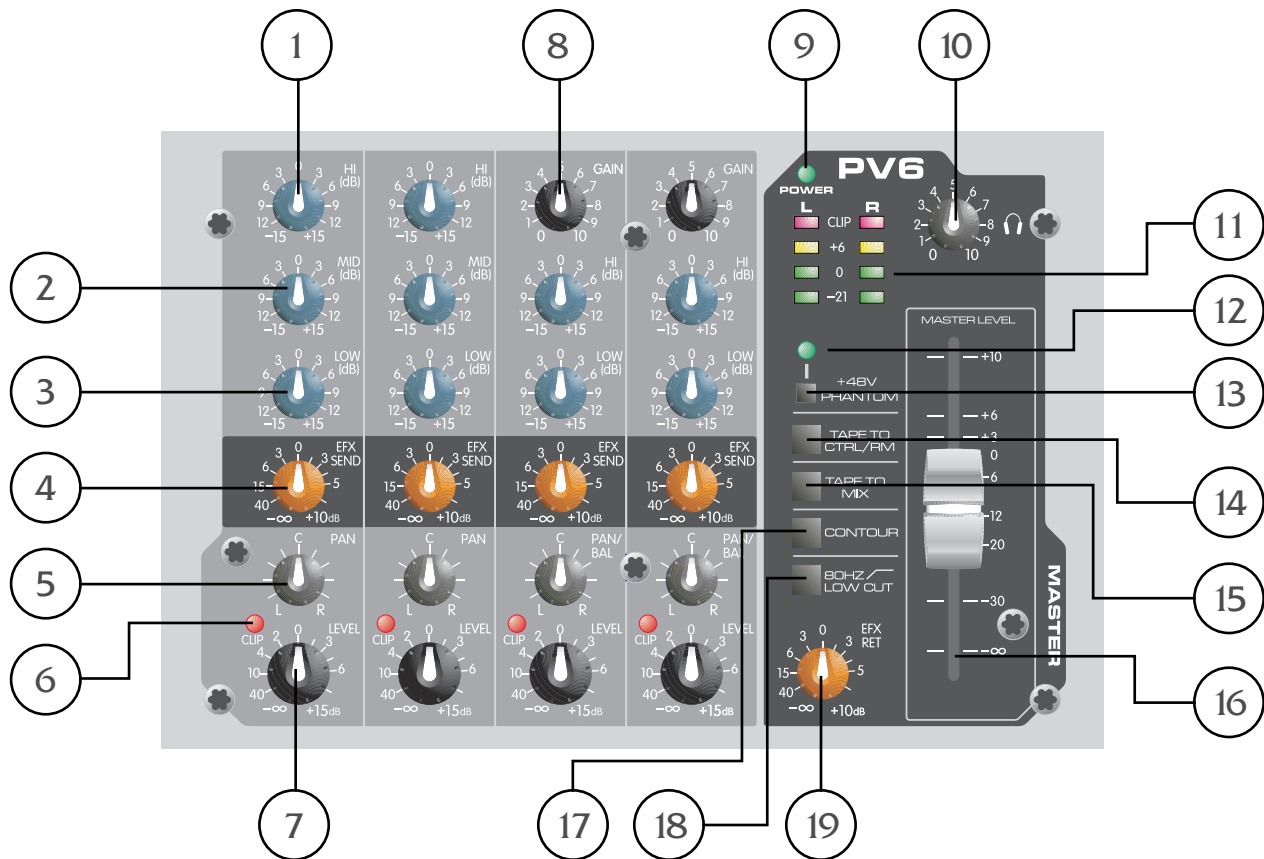
Congratulations on purchasing the Peavey PV6 compact mixer. The PV6 is a studio-quality mixing console designed to meet diverse needs while only occupying a small space. This is the perfect console for small venue performances or home recording environments.

Please read this guide carefully to ensure your personal safety as well as the safety of your equipment.

**Features**

- ➔ **XLR Mic inputs on all four channels**
- ➔ **Two Stereo channels with 1/4" inputs**
- ➔ **Three-band EQ on mono channels**
- ➔ **Two-band EQ on stereo channels**
- ➔ **Clip LEDs that thoroughly monitor clipping**
- ➔ **48V phantom power switch**
- ➔ **Effects send on every channel with stereo return**
- ➔ **Zero latency record monitoring capabilities**
- ➔ **Control room out with level control**
- ➔ **Contour control switch**
- ➔ **80 Hz low cut switch**

## FRONT PANEL



### Hi EQ (1)

An active tone control (shelving type:  $\pm 15$  dB) that varies the level of the high frequency range.

### Mid EQ (2)

An active tone control (shelving type:  $\pm 15$  dB) that varies the mid frequency range.

### Low EQ (3)

An active tone control (shelving type:  $\pm 15$  dB) that varies the level of the low frequency range.



**Caution:** Excessive low frequency boost causes greater power consumption and increases the possibility of speaker damage.

### EFX Send (4)

This adjusts the level of the channel signal added to the effects mix. The effects send signal is taken after the channel level controls (7) so that adjustments made to the level control will also affect the send level.

### Pan (5)

This knob controls the placement of the signal in the stereo field. When rotated completely counterclockwise, the signal is present only on the left channel; when rotated completely clockwise, only in the right channel.

### Clip LED (6)

This light normally indicates that the channel signal level is nearing the overload point. The clip indicator circuit monitors the signal at many points in the channel to ensure that it catches all instances of clipping. It illuminates at +19 dBu and warns that the gain or EQ boost should be reduced. When it lights, roughly 3 dB of headroom remains.

## Level (7)

This is the channel output level control. The optimum setting is the **0** (unity gain) position.

## Gain (8)

This control establishes the nominal operating level for the channel. The input gain can be adjusted over a wide range to compensate for soft voices or very loud drums. To maximize the signal-to-noise ratio, the gain should be set to the proper level with the channel level control (7) set to **0**. If the clip LED comes on and remains lit, try reducing the gain.

## Power LED (9)

This LED indicates that AC power is supplied to the unit, the power switch is on and the unit is functioning properly.

## Headphone Level (10)

This knob sets the headphone and control room output level. To avoid damage to your hearing, make sure to turn the dial fully counterclockwise before using headphones. Slowly turn the knob clockwise until a comfortable listening level is set. Normally, the signal in the headphones is the Left/Right signal. If the Tape to Control Room (14) is engaged, the tape signal is also included.

## LED Meters (11)

Two four-segment LED arrays are provided to monitor the levels of the main Left/Right outputs. These meters range from -21 dB to +19 dB. A reading of 0 db on the meter corresponds to +4 dBu at the outputs.

## Phantom Power LED (12)

This LED lights when the Phantom Power Switch (13) has been engaged.

## Phantom Power Switch (13)

Applies +48 VDC Voltage to the input XLR connectors to power microphones requiring phantom power.

*If phantom power is used, do not connect unbalanced dynamic microphones or other devices to the XLR inputs that cannot handle this Voltage. The Phantom Power LED (12) indicates when phantom power is on.*

## Tape To Control Room (14)

Depressing this switch adds the tape return to the Control Room and Headphone Outputs (24) for zero latency monitoring.

## Tape to Mix (15)

Depressing this switch routes the signal from the Tape Inputs to the Main Outputs (27).

## Master Level Fader (16)

The Master Fader controls the level sent to the main Left/Right outputs. Best results are obtained when this control is set near the **0** point.

## Contour Switch (17)

Engaging this switch enhances the signal by adding both bass and treble frequencies. This is especially effective at lower volumes or for tape/CD playback.

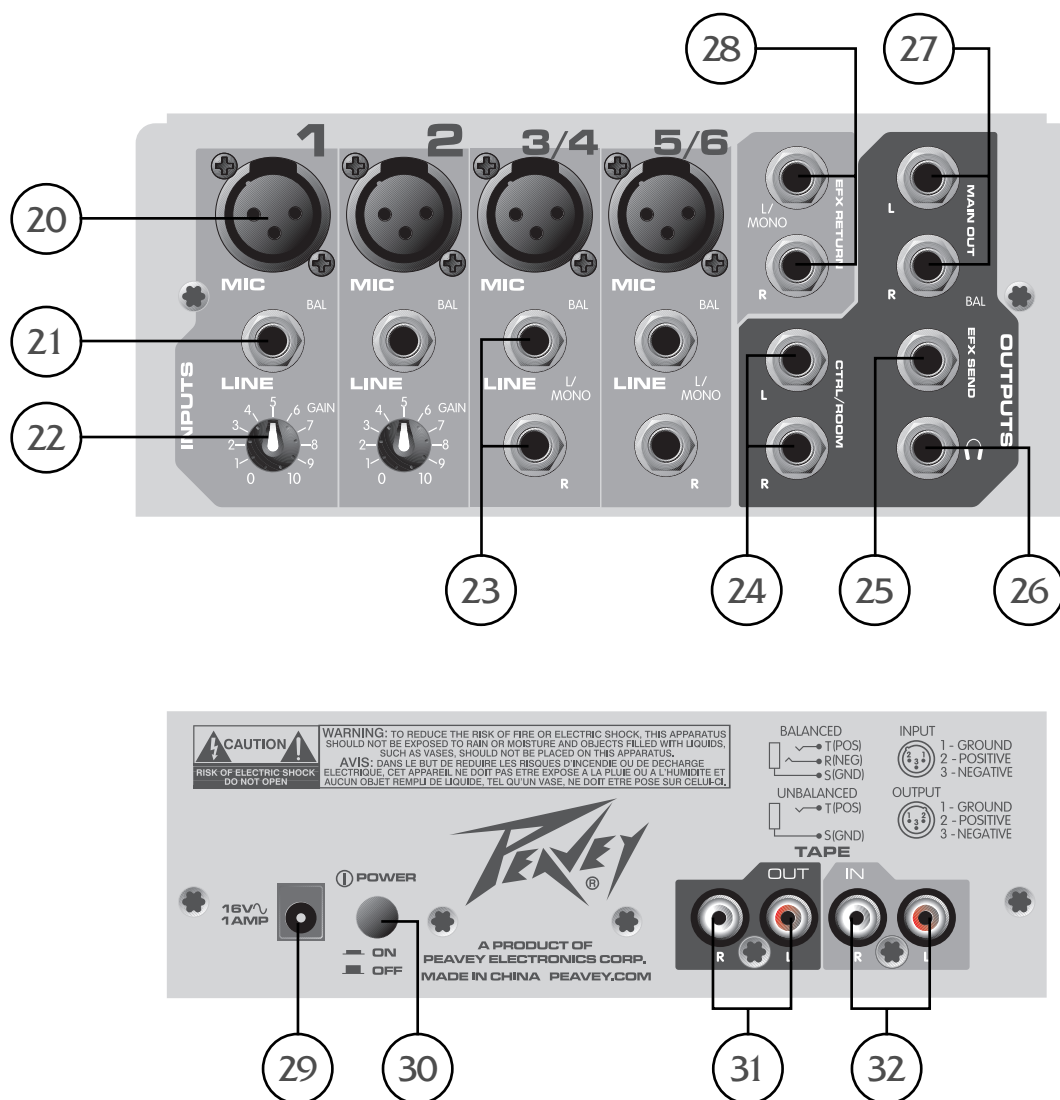
## 80 Hz Low Cut (18)

The Low Cut filter has a corner frequency of 80 Hz. When engaged, it can improve clarity by removing low frequencies that can make a mix sound muddy. This feature is especially useful when playing outside on a windy day or on a hollow, noisy stage. These kinds of ambient noises can rob your sound system of power. Engaging this switch removes those frequencies from the system and restores power to where it's needed.

## EFX/Return (19)

The EFX/Return Level Control adjusts the level sent to the Left/Right main bus from the return inputs.





## Mic (XLR) Inputs (20)

XLR balanced inputs optimized for a microphone or other low impedance source. Pin 2 is the positive input. Because of the wide range of gain adjustment, signal levels up to +14 dBu can be accommodated.

## Line (1/4") Inputs (21)

1/4" balanced (TRS) 10 k Ohm impedance input. The tip is the positive input and should be used for unbalanced inputs. It has 20 dB less gain than the XLR input and does not have phantom power available. The Mic and Line inputs should not be used simultaneously.

## Gain (Channels 1 & 2) (22)

This control establishes the nominal operating level for the channel. The input gain can be adjusted over a wide range to compensate for soft voices or very loud drums. To maximize the signal-to-noise ratio, the gain should be set to the proper level with the channel level control (7) set to 0. If the Clip LED comes on and remains lit, try reducing the gain.

## Stereo Outputs (23)

Channels 3 and 4 feature stereo outputs via 1/4" inputs and mono XLR inputs. When the 1/4" line inputs are in use, the XLR mic input is muted to prevent unwanted noise.



## Control Room Outputs (24)

The Control Room Outputs feature two ¼" TRS Z-balanced jacks. These outputs can be used with Tip, Ring Sleeve (TRS) balanced or Tip Sleeve (TS) unbalanced connectors. The Control Room Output Level is adjusted with the Headphone Level Control (10).

## EFX Send (25)

The EFX Send features a ¼" TRS Z-balanced jack in the master section. These outputs can be used with Tip, Ring Sleeve (TRS) balanced or Tip Sleeve (TS) unbalanced connectors. The EFX mix is determined by the amount of signal being sent to the EFX bus in each channel.

## Headphone Output (26)

The Headphone Output is a ¼" TRS (tip = left; ring = right; sleeve = ground). The signal sent to this output is normally the Left/Right mix. When the Tape to Control Room switch is engaged, the tape input signal is added to the Left/Right mix and can be monitored in the headphones.

## Left/Right Outputs (27)

The Left/Right Outputs feature two ¼" TRS Z-balanced jacks. These outputs can be used with Tip, Ring, Sleeve (TRS) balanced or Tip, Sleeve (TS) unbalanced connectors.

## EFX Return (28)

The EFX Return inputs (Left/Mono, Right) feature two ¼" TRS Z-balanced jacks. These outputs can be used with Tip, Ring, Sleeve (TRS) balanced or Tip, Sleeve (TS) unbalanced connectors. The EFX Return is controlled via the EFX/Return Level Control (19).

## Power Adapter Input (29)

Use to connect the included power supply. Be sure the power supply is connected to the PV<sup>®</sup>6 before connecting to a power source. **Use 16 VAC 1 A adapter only.**

## Power Switch (30)

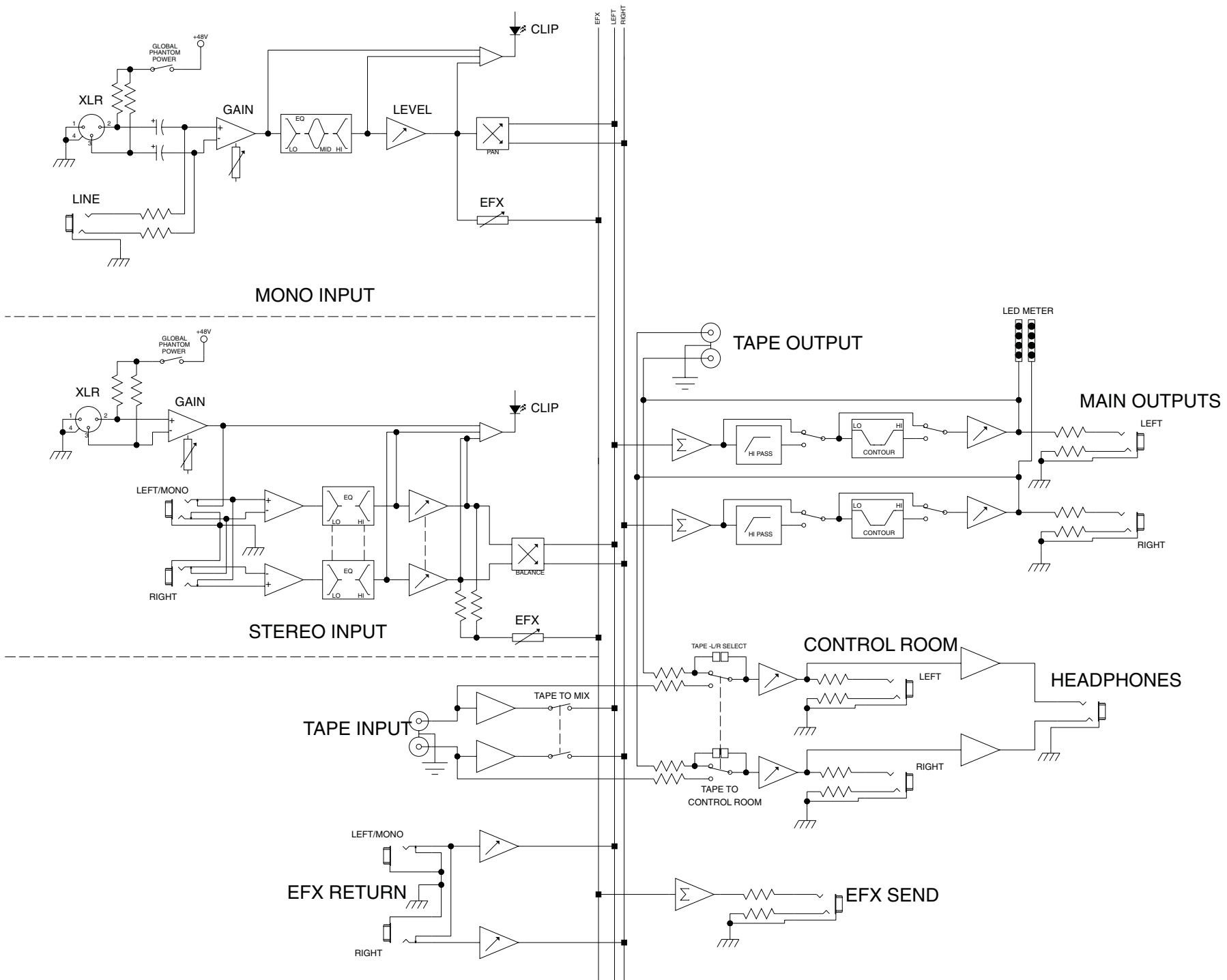
Depressing the power switch applies power to the unit.

## Tape In/Out (32 & 31)

The tape input jacks are designed to accommodate tape, CD or computer sound card output levels. The out level is +4 dBu for connection to a recorder or sound card input. The tape inputs can be used as an additional stereo input by engaging the Tape to Main Mix switch (15). The tape input can also be used to monitor the recorder/sound card output without the risk of feedback.







# PV6® Block Diagram

# PV<sup>®</sup> 6 Compact Console

## SPECIFICATIONS

### Inputs

Function	Input Z (ohms min)	Input Gain Setting	Input Levels			Bal/Unbal	Connector
			Min**	Nominal*	Max		
Microphone (150 ohms)	2.2k	Max Gain (60 dB)	-83 dBu	-56 dBu	-38 dBu	Bal	XLR Pin 1 Gnd Pin 2 (+), Pin 3 (-1)
		Min Gain (9 dB)	-31 dBu	-5 dBu	+13 dBu		
Line (10k ohms)	10k	Max Gain (40 dB)	-63 dBu	-36 dBu	-18 dBu	Bal	¼" TRS; Tip (+), Ring (-), Sleeve Ground
		Min Gain (-10 dB)	-12 dBu	+14 dBu	+32 dBu		
Stereo Line Input	10k	Max Gain (30 dB)	-26 dBu	+4 dBu	+22 dBu	Unbal	¼" TRS; Tip (+), Sleeve Ground
Aux Returns	10k	N/A (0 dB)	-17 dBu	+4 dBu	+22 dBu	Unbal	¼" TRS; Tip (+), Sleeve Ground
Tape	10k	N/A (10 dB)	-17 dBu	-10 dBV	+12 dBu	Unbal	RCA Phone

0 dBu = 0.775 V (RMS)

\*\* Min Input Level (sensitivity) is the smallest signal that will produce nominal output (+4 dBu) with channel and master faders set for maximum gain.

\* Nominal settings are defined as all controls set at 0 dB (or 50% rotation for rotary pots) except the gain adjustment pot which is as specified.

### Outputs

Function	Min Load Z (ohms)	Output Level		Bal/Unbal	Connector
		Nominal	Max		
Main Left/Right	600	+4 dBu	+22 dBu	Bal	¼" TRS: Tip (+); Ring (-); Sleeve Ground
Effects Sends	600	+4 dBu	+22 dBu	Bal	¼" TRS; Tip (+), Sleeve Ground
Headphone	8	+4 dBu (no load)	+22 dBu	Unbal	¼" TRS; Tip Left, Ring Right, Sleeve Ground
Tape	2.2 k	+4 dBu	+22 dBu	Unbal	RCA Phone

0 dBu = 0.775 V (RMS)

### Gain

Mic Input Gain Adjustment Range:	10 dB to 60 dB
Mic Input to Left/Right Balance Output	87 dB (max gain)
Line Input Gain Adjustment Range:	-10 dB to 40 dB
Line Input to Left/Right Balance Output	67 dB (max gain)
Stereo Line Input Gain Adjustment Range:	10 dB
Stereo Line Input to Left/Right Output	28 dB (max gain)
Aux Return to Left/Right Balance Output	21 dB (max gain)

## Frequency Response

Mic Input to Left/Right Output 14 Hz to 25 kHz +0 dB/-1 dB

## Total Harmonic Distortion

<0.01% 20 Hz to 20 kHz Mic to Left/Right Output (10 Hz to 80 kHz BW)

<0.005% Typical

## Hum and Noise

Output	Residual Noise	S/N Ratio (ref. +4 dBu)	Test Conditions
Master Left/Right	-98 dBu	102 dB	Master Fader Down, Channel Levels Down
	-90 dBu	94 dB	Master Fader Nominal, Channel Levels Down
	-84 dBu	90 dB	All controls nominal, mic gain minimum
Effects Sends	-96 dBu	100 dB	All controls off
	-84 dBu	88 dB	All channel sends nominal

(Hum and noise measurements: 22 Hz to 22 kHz BW)

## Equivalent Input Noise (EIN)

-129 dBu (input terminated with 150 ohms)

## Crosstalk

>80 dB Adjacent Input Channels (1 kHz)

>75 dB Left to Right Outputs (1 kHz)

## Common Mode Rejection Ratio (Mic Input)

50 dB minimum (20 Hz to 20 kHz)

70 dB typical @ 1 kHz

## Meters

4-segment, peak reading (0 dB = +4 dBu)

## Signal/Overload Indicators

Red LED lights 3 dB below clipping

## Dimensions

7.55" (19.18 cm) wide x 9.717" (24.68 cm) deep x 2.7" (6.86 cm) high

## Weight

Without power supply: 3.9 lbs (1.77 kg)

With power supply: 5.1 lbs (2.31 kg)

## Power Requirements

Domestic: 16.5 VAC 60 Hz; 8 watts nominal

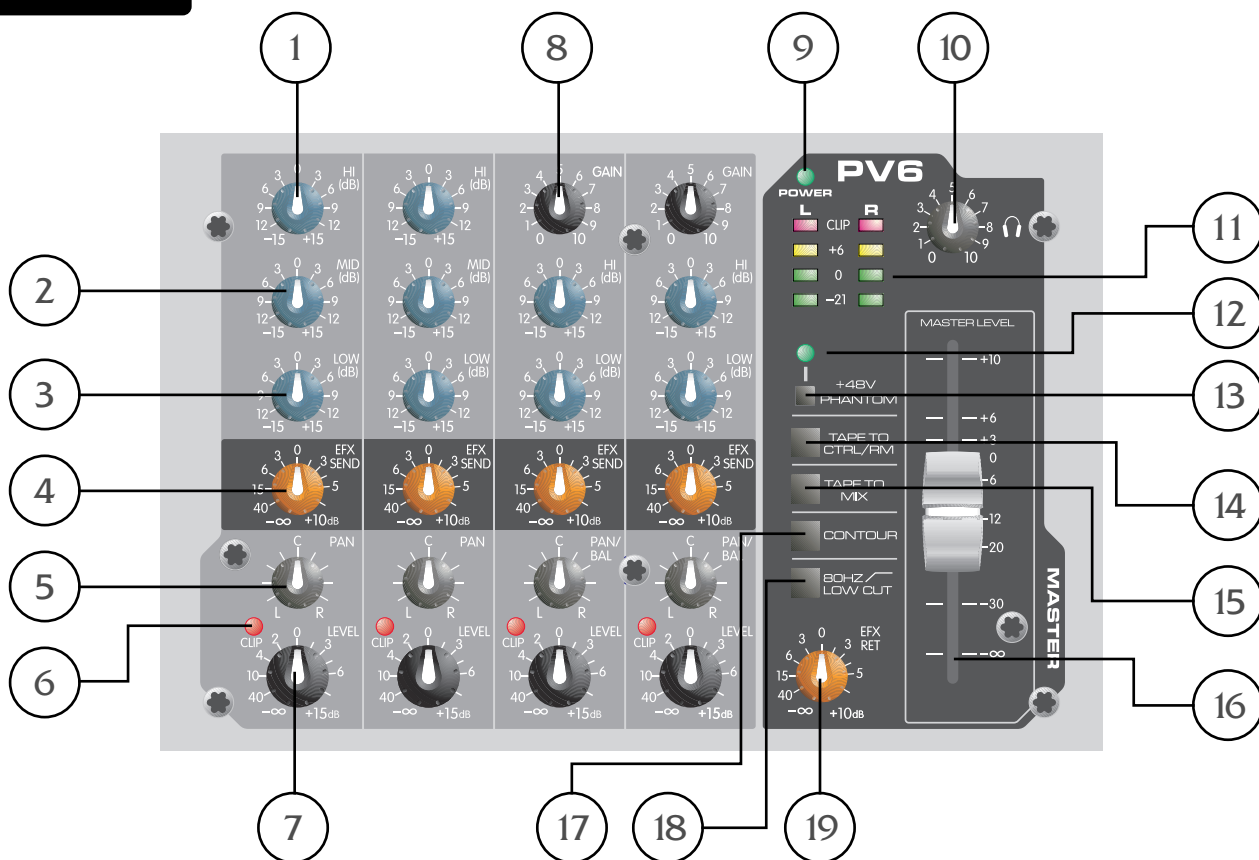
## Beschreibung

Herzlichen Glückwunsch! Sie haben gerade ein Peavey PV6 Kompakt-Mischpult erworben. Der PV6 ist ein Mischpult, das trotz seiner geringen Maße Studioqualität liefert und die verschiedensten Bedürfnisse erfüllt. Der PV6 ist das perfekte Mischpult für kleine Veranstaltungen oder das Heimstudio.

Lesen Sie sich diese Anleitung bitte sorgfältig durch, damit sowohl Ihre Sicherheit als auch die Ihrer Ausrüstung gewährleistet ist.

## Merkmale

- ➔ XLR-Mikrofoneingänge an allen vier Kanälen
- ➔ Zwei Stereo-Kanäle mit 1/4"-Eingängen
- ➔ 3-Band-EQ an den Monokanälen
- ➔ 2-Band-EQ an den Stereokanälen
- ➔ Clip-LEDs für die sorgfältige Überwachung von Clipping
- ➔ 48-V-Phantomspeisung-Schalter
- ➔ Effects Send an jedem Kanal mit Stereo Return
- ➔ Aufnahmeüberwachungsfunktionen ohne Latenzzeit
- ➔ Abhörraumausgang mit Pegelregle
- ➔ Contour-Schalter
- ➔ 80-Hz-Tiefpassschalter



### Hi EQ (1)

Aktiver Klangregler (stufenlos regelbar:  $\pm 15$  dB), mit dem der Pegel im Hochfrequenzbereich variiert werden kann.

### Mid EQ (2)

Aktiver Klangregler (stufenlos regelbar,  $\pm 15$  dB), mit dem der Mittenfrequenzbereich variiert werden kann.

### Low EQ (3)

Aktiver Klangregler (stufenlos regelbar:  $\pm 15$  dB), mit dem der Pegel im Niederfrequenzbereich variiert werden kann.



Achtung: Ein übermäßiges Anheben der Niederfrequenzen führt zu erhöhtem Stromverbrauch und steigert das Risiko einer Beschädigung der Lautsprecher.

### EFX Send (4)

Mit diesem Regler wird der Pegel des Kanalsignals festgelegt, das dem Effects-Mix zugemischt wird. Das Effects-Send-Signal wird hinter den Kanalpegelreglern (7) abgenommen, sodass sich Einstellungen des Pegelreglers auch auf den Send-Pegel auswirken.

### Pan (5)

Mit diesem Regler wird die Platzierung des Signals im Stereofeld festgelegt. Bei vollständiger Drehung im entgegengesetzten Uhrzeigersinn ist das Signal nur im linken Kanal präsent, bei vollständiger Drehung im Uhrzeigersinn nur im rechten Kanal.

### Clip-LED (6)

Diese LED zeigt in der Regel an, dass sich der Kanalsignalpegel dem Überlastungspunkt nähert. Die Clip-Anzeigeschaltung überwacht das Signal an vielen Punkten im Kanal um zu gewährleisten, dass sämtliche Clipping-Situationen erfasst werden. Die LED leuchtet bei  $+19$  dBu auf und warnt, wenn Gain oder EQ Boost verringert werden müssen. Leuchtet sie auf, stehen nur noch knapp 3 dB Headroom zur Verfügung.

## Level (7)

Mit diesem Regler wird der Ausgangspegel des Kanals eingestellt. Die optimale Einstellung für diesen Regler ist die Position „0“ (Leistungsverstärkung).

## Gain (8)

Mit diesem Regler wird der Nennbetriebspegel für den Kanal eingestellt. Die Eingangsverstärkung kann über einen weiten Bereich eingestellt werden, um zarte Stimmen oder sehr laute Drums zu kompensieren. Um den Rauschabstand zu maximieren, sollte die Verstärkung auf den korrekten Pegel mit dem Kanal-Pegelregler (7) auf 0 gestellt werden. Leuchtet die Clip-LED kontinuierlich auf, sollte die Verstärkung verringert werden.

## Power-LED (9)

Die LED leuchtet auf, wenn das Gerät eingeschaltet ist, mit Wechselstrom versorgt wird und störungsfrei arbeitet.

## Headphone-Pegel (10)

Mit diesem Regler wird der Ausgangspegel für Kopfhörer und Abhörraum eingestellt. Um Hörschäden zu vermeiden, muss dieser Regler vollständig im entgegengesetzten Uhrzeigersinn heruntergedreht werden, bevor Sie Kopfhörer verwenden. Drehen Sie den Knopf langsam im Uhrzeigersinn, bis ein angenehmer Hörpegel erreicht ist. Das Signal in den Kopfhörern ist in der Regel das Left/Right-Signal. Wird der Tape-to-Control-Room-Schalter (14) gedrückt, wird das Tape-Signal zugefügt.

## LED-Messanzeigen (11)

Zwei Vier-Segment-LED-Anzeigen überwachen die Pegel der Main Left/Right-Ausgänge. Sie sind von -21 dB bis +19 dB geeicht. Ein Wert von 0 dB auf der Messanzeige entspricht +4 dBu an den Ausgängen.

## Phantomspannung-LED (12)

Diese LED leuchtet auf, wenn der Phantomspannung-Schalter (13) gedrückt wurde.

## Phantomspannung-Schalter (13)

Versorgt die Eingangs-XLR-Stecker mit 48 V Gleichstrom, um Mikrofone mit Phantomspannung zu betreiben.



*Wird die Phantomspannung verwendet, dürfen keine unsymmetrierten dynamischen Mikrofone oder anderen Geräte an die XLR-Eingänge angeschlossen werden, die diese Spannung nicht bearbeiten können. Ist die Phantomspannung aktiviert, leuchtet die Phantomspannung-LED (12) auf.*

## Tape To Control Room (14)

Mit diesem Schalter wird Tape Return den Control-Room- und Kopfhörerausgängen (24) zur Überwachung ohne Latenzzeit zugefügt.

## Tape to Mix (15)

Ist dieser Schalter aktiviert, wird das Signal von den Tape-Eingängen zu den Main-Ausgängen (27) geleitet.

## Master-Level-Fader (16)

Der Master-Fader regelt den Pegel, der an die Left- und Right-Hauptausgänge gesendet wird. Die besten Ergebnisse werden erzielt, wenn dieser Regler um die Position 0 eingestellt wird.

## Contour-Schalter (17)

Ist dieser Schalter aktiviert, wird das Signal durch Hinzufügen von Bässen und Höhen verstärkt. Dies ist bei geringeren Lautstärken für Tonband- bzw. CD-Playback besonders wirksam.

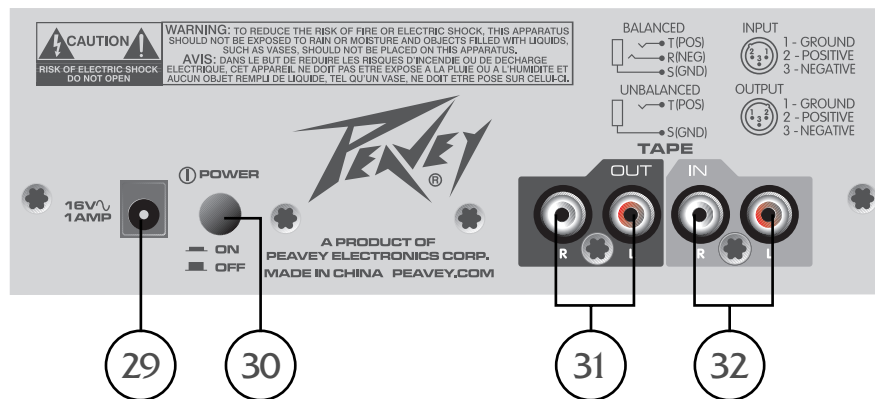
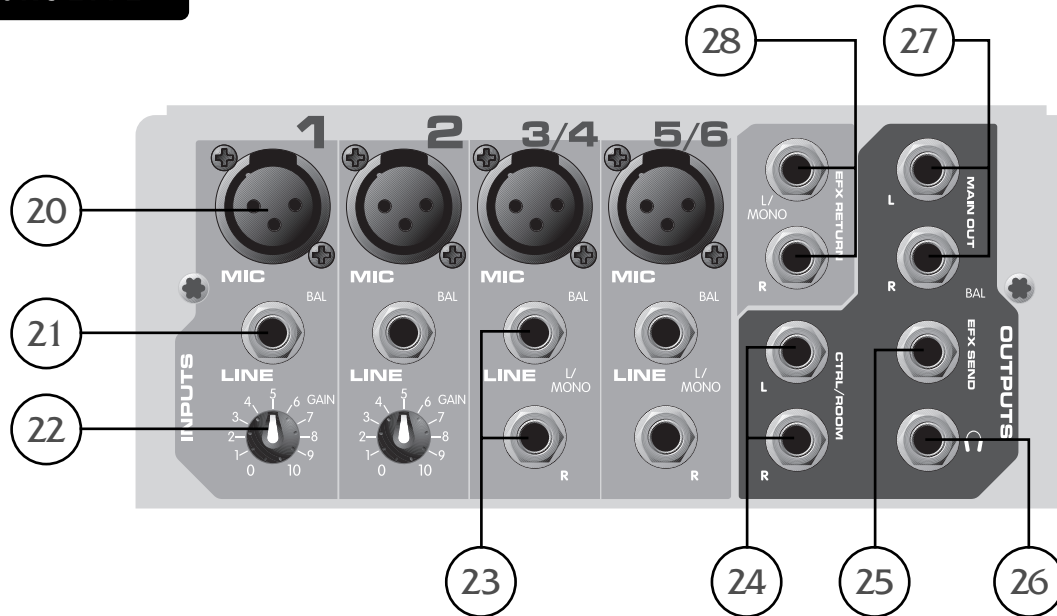
## 80 Hz Low Cut (18)

Der Tiefpassfilter hat eine Eckfrequenz von 80 Hz. Ist er aktiviert, kann er die Klarheit verstärken, indem er die tiefen Frequenzen herausnimmt, durch die ein Mix unsauber klingen kann. Diese Funktion ist besonders hilfreich bei Außenveranstaltungen an einem windigen Tag oder auf einer weiten, lauten Bühne. Diese Umgebungsgeräusche können die Leistung des Beschallungssystems beeinträchtigen. Mittels dieses Schalters werden diese Frequenzen aus dem System herausgenommen und die Leistung wieder da eingesetzt, wo sie benötigt wird.

## EFX/Return (19)

Mit dem EFX/Return-Pegelregler wird der Pegel geregelt, der von den Return-Eingängen an den Left/Right-Main-Bus gesendet wird.

## RÜCKSEITE



## Mic- (XLR-) Eingänge (20)

Symmetrierte XLR-Eingänge, die für ein Mikrofon oder eine andere niederohmige Quelle optimiert wurden. Stift 2 ist der positive Eingang. Auf Grund der Vielzahl an möglichen Gain-Einstellungen können Signalpegel von bis zu +14 dBu erreicht werden.

## Line- (1/4"-) Eingänge (21)

Dies ist ein symmetrierter 1/4"-(TRS)-Klinkeneingang mit einer Impedanz von 10 kOhm. Die Spitze ist der positive Eingang und sollte für unsymmetrierte Eingänge verwendet werden. Sein Gain liegt 20 dB unter dem des XLR-Eingangs, und er hat keine Phantomspeisung. Die Mic- und Line-Eingänge sollten nicht gleichzeitig verwendet werden.



## Gain (Kanäle 1 und 2) (22)

Mit diesem Regler wird der Nennbetriebspegel für den Kanal eingestellt. Die Eingangsverstärkung kann über einen weiten Bereich eingestellt werden, um zarte Stimmen oder sehr laute Drums zu kompensieren. Um den Rauschabstand zu maximieren, sollte die Verstärkung auf den korrekten Pegel mit dem Kanal-Pegelregler (7) auf 0 gestellt werden. Leuchtet die Clip-LED kontinuierlich auf, sollte die Verstärkung verringert werden.

## Stereo-Eingänge (23)

Die Kanäle 3 und 4 sind über 1/4"- und Mono-XLR-Eingänge mit Stereoeingängen ausgestattet. Werden die 1/4"-Line-Eingänge verwendet, ist der XLR-Mikroeingang stummgeschaltet, um unerwünschtes Rauschen zu verhindern.

## Control-Room-Ausgänge (24)

Die Control-Room-Ausgänge verfügen über zwei symmetrierte 1/4"-Klinken. Diese Ausgänge können mit symmetrierten Klinkensteckern (Spitze, Ring, Masse) oder unsymmetrierten Klinkensteckern (Spitze, Masse) verwendet werden. Der Control-Room-Ausgangspegel wird mit dem Headphone-Pegelregler (10) eingestellt.

## EFX Send (25)

Der EFX Send verfügt über eine symmetrierte 1/4"-Klinke in der Master-Stufe. Diese Ausgänge können mit symmetrierten Klinkensteckern (Spitze, Ring, Masse) oder unsymmetrierten Klinkensteckern (Spitze, Masse) verwendet werden. Der EFX-Mix wird durch die Stärke des Signals festgelegt, das an den EFX-Bus in jedem Kanal gesendet wird.

## Kopfhörerausgang (26)

Der Kopfhörerausgang ist eine 1/4"-Klinke (Spitze = links, Ring = rechts, Masse = Erde). Das an diesen Ausgang gesendete Signal ist in der Regel der Left/Right-Mix. Ist der Tape-to-Control-Room-Schalter aktiviert, wird das Tape-Eingangssignal dem Left/Right-Mix zugefügt und kann über die Kopfhörer überwacht werden.

## Left/Right-Ausgänge (27)

Die Left/Right-Ausgänge verfügen über zwei symmetrierte 1/4"-Klinken. Diese Ausgänge können mit symmetrierten Klinkensteckern (Spitze, Ring, Masse) oder unsymmetrierten Klinkensteckern (Spitze, Masse) verwendet werden.

## EFX Return (28)

Die EFX-Return-Eingänge (Left/Mono, Right) verfügen über zwei symmetrierte 1/4"-Klinken. Diese Ausgänge können mit symmetrierten Klinkensteckern (Spitze, Ring, Masse) oder unsymmetrierten Klinkensteckern (Spitze, Masse) verwendet werden. EFX Return wird über den EFX/Return-Pegelregler (19) geregelt.

## Netzadaptereingang (29)

Zum Anschließen des beiliegenden Netzteils. Das Netzteil muss an den PV<sup>®</sup>6 angeschlossen werden, bevor dieser an eine Stromquelle angeschlossen wird. Nur Adapter mit 16 V Wechselstrom, 1 A verwenden.



## Power-Schalter (30)

Durch Drücken dieses Schalters wird das Gerät mit Netzstrom versorgt.

## Tape In/Out (32 und 31)

An die Tape-Eingangsklinken können die Ausgangspegel von Tonband, CD-Player oder Computer-Soundkarte angeschlossen werden. Der Ausgangspegel beträgt +4 dBu für den Anschluss an einen Tonband- oder Soundkarteneingang. Die Tape-Eingänge können als zusätzlicher Stereoeingang verwendet werden, wenn der Tape-to-Main-Mix-Schalter (15) gedrückt wird. Der Tape-Eingang kann zudem verwendet werden, um den Tonband- bzw. Soundkartenausgang ohne die Gefahr eines Feedbacks zu überwachen.



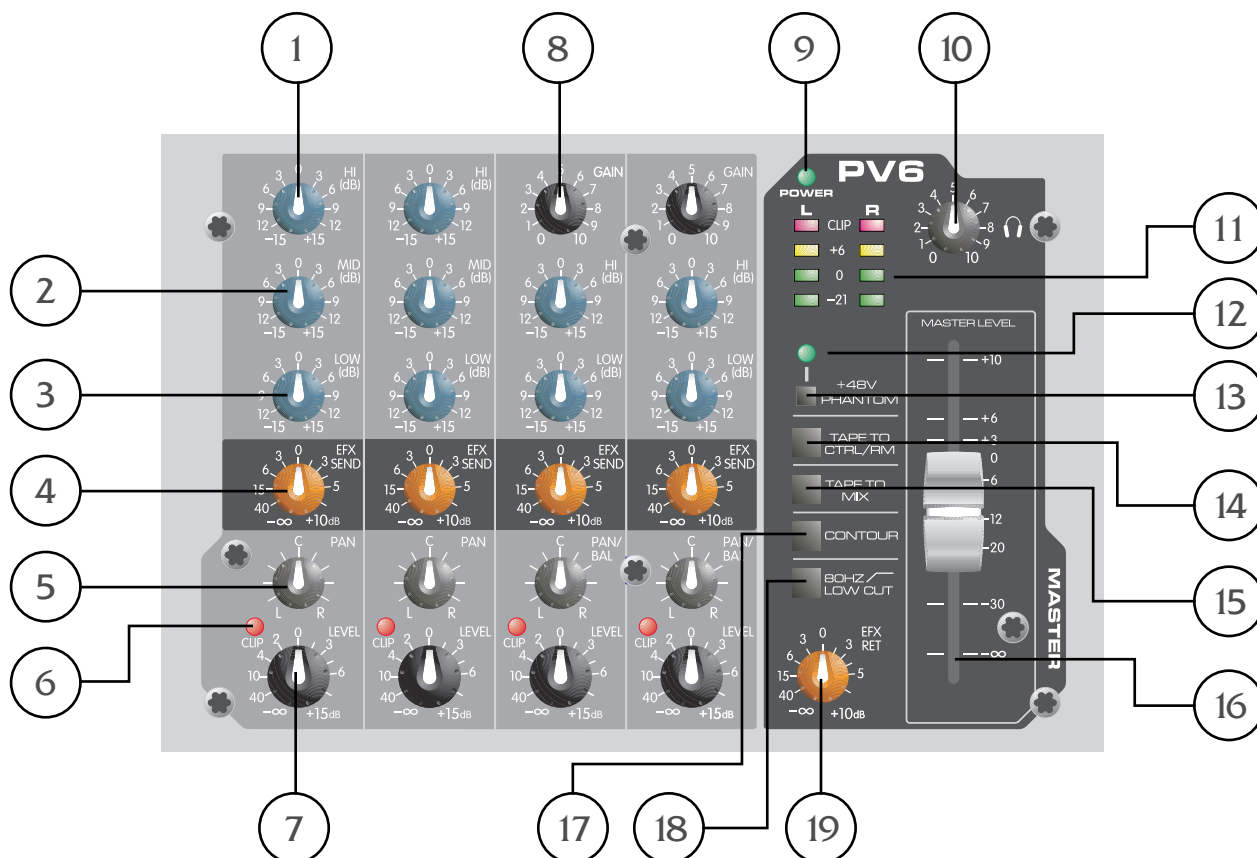
## **PV<sup>®</sup>6** Console de Mixage Compacte

### **Description**

Félicitations pour l'achat de la Peavey PV6, unité de mixage au format table. La PV6 est idéale pour toutes applications d'enregistrement ou de diffusion où la compacité du matériel est importante.

### **Caractéristiques**

- ➔ **Entrées XLR Micro sur les quatre canaux principaux**
- ➔ **Deux canaux Stéréo avec entrées Jack 1/4" (6.35mm)**
- ➔ **Egalisation trois-bandes sur les canaux Mono**
- ➔ **Egalisation deux-bandes sur les canaux Stéréo**
- ➔ **LEDs de niveau pour prévenir tout écrêtage du signal**
- ➔ **4Alimentation Phantom 48V à interrupteu**
- ➔ **Envoi vers effet sur chaque canal avec retour d'effets Stéréo**
- ➔ **Possibilité d'enregistrement sans retard (Zero Latency)**
- ➔ **Sortie d'écoute additionnelle (Control Room) avec contrôle niveau**
- ➔ **Interrupteur de contour (filtre égaliseur en sortie)**
- ➔ **filtre coupe\_bas 80 Hz à interrupteur**



### Hi EQ (1)

Réglage de tonalité actif de type escalier permettant de modifier les niveaux des hautes fréquences de +/-15 dB.

### Mid EQ (2)

Réglage de tonalité actif de type escalier permettant de modifier les niveaux des fréquences médium de +/-15 dB.

### Low EQ (3)

Réglage de tonalité actif de type escalier permettant de modifier les niveaux des basses fréquences de +/-15 dB.



**Attention:** Un niveau excessif de basses fréquences augmente considérablement les consommations en puissance et peut endommager vos hauts-parleurs.

### EFX Send (4)

Ce contrôle vous permet d'ajuster le niveau du signal envoyé au bus d'effet. Le niveau de ce signal est également affecté par le contrôle de niveau du canal (7).

### Pan (5)

Détermine la position du canal dans l'image stéréo. En augmentant ce contrôle, vers la gauche(sens contre-horaire), le signal diminuera dans le champ droit tout en augmentant dans le champ gauche et vice-versa.

### Clip LED (6)

(Leds d'indication de seuil d'écrêtage) Ces Leds vous indiquent lorsque le niveau du signal est proche de la sensibilité maximale. Le circuit de détection analyse le signal à toutes les étapes du routage de celui-ci et la LED s'illuminera pour indiquer un niveau de +19dBu, prévenant que les contrôles de gain ou d'égalisation doivent être atténués. Ce seuil est environ 3dB avant écrêtage.

## Level (7)

Ce contrôle vous permet d'ajuster le niveau du signal de sortie. Le niveau d'utilisation commun (gain unitaire) est en position 0.

## Gain (8)

Ce contrôle vous permet d'ajuster la sensibilité d'entrée du canal correspondant, celui-ci pouvant s'accommoder de la plupart des types de signaux. Pour maximiser la qualité du signal, le niveau de celui-ci dans le canal doit être fait avec le niveau de sortie ajusté à 0. Si la Led d'écrêtage s'illumine de façon prolongée, le gain du signal doit être réduit.

## Power LED (9)

Cette LED vous indique si votre unité est sous tension.

## Headphone Level (10)

Ce contrôle vous permet d'ajuster le niveau du signal d'écoute (sortie casque et sortie 'Control Room'). Assurez-vous de positionner le volume au minimum lors d'une première écoute, puis d'augmenter doucement jusqu'au niveau désiré. Généralement, le signal d'écoute correspond aux sorties principales; si le sélecteur 'Tape to Control Room'(14) est engagé, le signal pré-enregistré (Tape) est ajouté au signal d'écoute.

**LED Meters (11)** Deux rangées de 4 Leds vous permettent de contrôler le niveau du signal présents aux sorties principales Droite/Gauche. Ils sont gradués de -21 dB à +19 dB et le 0 db de l'échelle correspond à +4 dBu aux sorties.

## Phantom Power LED (12)

Cette LED s'illumine pour vous indiquer que l'alimentation Phantom est active.

## Phantom Power Switch (13)

Cet interrupteur vous permet d'activer ou de désactiver l'alimentation Phantom de votre unité. Celle-ci se traduit par une tension de 48V appliquées aux entrées XLR.



*Si l'alimentation est active, assurez-vous de ne pas connecter aux connecteurs XLR des micros ou autres unités de signal qui ne supporteraient pas ce voltage. La Led témoin correspondante (12) vous indique le status de l'alimentation Phantom.*

## Tape To Control Room (14)

En activant cet interrupteur vous ajoutez le signal présent aux entrées 'Tape Return' au signal d'écoute (Control Room) et casque.

## Tape to Mix (15)

En activant cet interrupteur vous ajoutez le signal présent aux entrées 'Tape Return' au signal des sorties principales (27).

## Master Level Fader (16)

Ces faders vous permettent d'ajuster le niveau des sorties principales Droite/Gauche. Pour maximiser la qualité du signal, le niveau de celui-ci sera ajusté à 0 (gain unitaire).

## Contour Switch (17)

Cet interrupteur vous permet d'appliquer une égalisation pré-définie ajoutant à la fois des hautes et basses fréquences pour une accentuation du relief sonore. Ce sélecteur est particulièrement efficace pour des applications musicales à faible niveau.

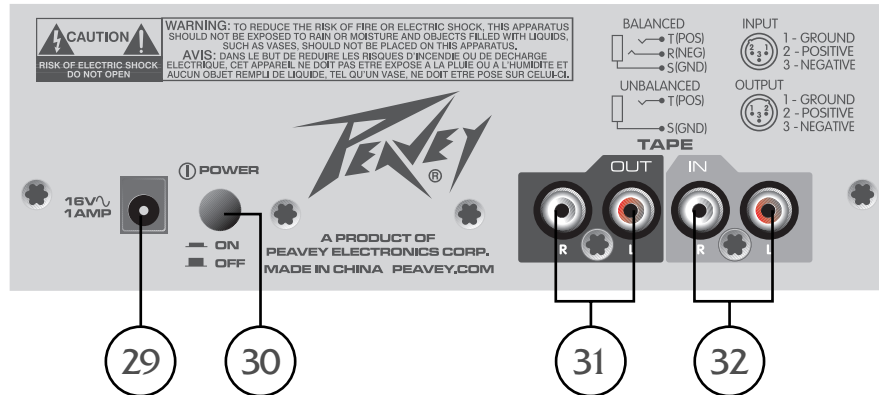
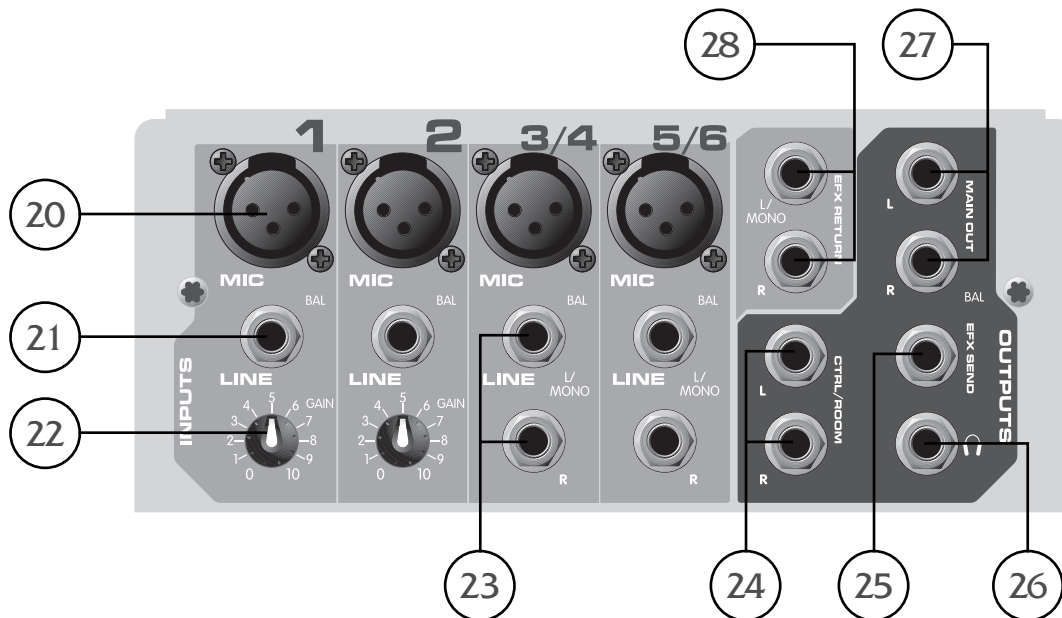
## 80 Hz Low Cut (18)

Ce filtre coupe-bas 80Hz vous permet d'éliminer les basses fréquences de votre signal pour lui ajouter de la clarté, particulièrement efficace lorsque l'amplification des basses fréquences gaspille la puissance nécessaire.

## EFX/Return (19)

Ce contrôle vous permet d'ajuster le niveau du signal des entrées 'EFX Return' dans les bus principaux Droite/Gauche.

## PANNEAU POSTÉRIEUR



### Mic (XLR) Inputs (20)

Ces entrées XLR symétrisées sont optimisées pour la connexion d'un microphone où toute source basse-impédance (Pin 2 positive). De part la large plage de sensibilité d'entrée, on pourra obtenir jusqu'à +14dB d'augmentation.

### Line (Jack 1/4"- 6.35mm) Inputs (21)

Ce Jack 1/4" (6.35mm) symétrique (TRS) possède une impédance de 10 k Ohm (pointe positive) et vous permet de connecter une source sonore asymétrique Sa sensibilité est de -20dB comparée à l'entrée XLR. Les entrées XLR(Mic) et Jack(Line) du même canal ne devraient pas être utilisées en même temps.

### Gain (Channels 1 & 2) (22)

Ce contrôle vous permet d'ajuster la sensibilité d'entrée du canal correspondant, celui-ci pouvant s'accommoder de la plupart des types de signaux. Pour maximiser la qualité du signal, le niveau de celui-ci dans le canal doit être fait avec le niveau de sortie ajusté à 0. Si la Led d'écrêtage s'illumine de façon prolongée, le gain du signal doit être réduit.



### **Stereo Inputs (23)**

Les canaux 3 et 4 possèdent des entrées Stéréo par l'intermédiaire de paires de XLR ou Jack Mono. Dans ce mode d'utilisation, les entrées micro XLR sont désactivées pour prévenir tout bruit parasite.

### **Control Room Outputs (24)**

Les sorties d'écoute sont composées de deux Jack 1/4" symétriques (TRS). Ces sorties peuvent être utilisées avec des Jacks 2 (TS) ou 3 (TRS) conducteurs. Le niveau du signal à ces sorties peut être ajusté grâce au contrôle de niveau de casque (10).

### **EFX Send (25)**

La sortie du bus d'effet est un Jack 1/4" symétrique (TRS). Cette sortie vous permet d'envoyer le signal somme déterminé par les contrôles EFX de chaque canal à un processeur externe. Cette sortie peut être utilisée avec un Jacks 2 (TS) ou 3 (TRS) conducteurs.

### **Headphone Output (26)**

La sortie du bus d'effet est un Jack 1/4" symétrique (TRS, pointe = gauche; anneau = droit; corps = masse). Généralement, le signal d'écoute correspond aux sorties principales; si le sélecteur 'Tape to Control Room' (14) est engagé, le signal pré-enregistré (Tape) est ajouté au signal d'écoute.

### **Left/Right Outputs (27)**

Les sorties principales Droite/Gauche sont composées de deux Jack 1/4" symétriques (TRS). Ces sorties peuvent être utilisées avec des Jacks 2 (TS) ou 3 (TRS) conducteurs.

### **EFX Return (28)**

Les entrées de retour f'effets (EFX Return) sont composées de deux Jack 1/4" symétriques (TRS). Ces sorties peuvent être utilisées avec des Jacks 2 (TS) ou 3 (TRS) conducteurs et leur niveau ajusté par le contrôle EFX/Return Level (19).

### **Power Adapter Input (29)**

Ce connecteur vous permet de connecter votre unité à sa source d'alimentation électrique. Assurez-vous de la connexion à votre unité avant celle à la source d'alimentation électrique. N'utilisez que l'adaptateur fourni avec votre unité où un remplacement aux caractéristiques identiques 16 VAC 1 A.

### **Power Switch (30)**

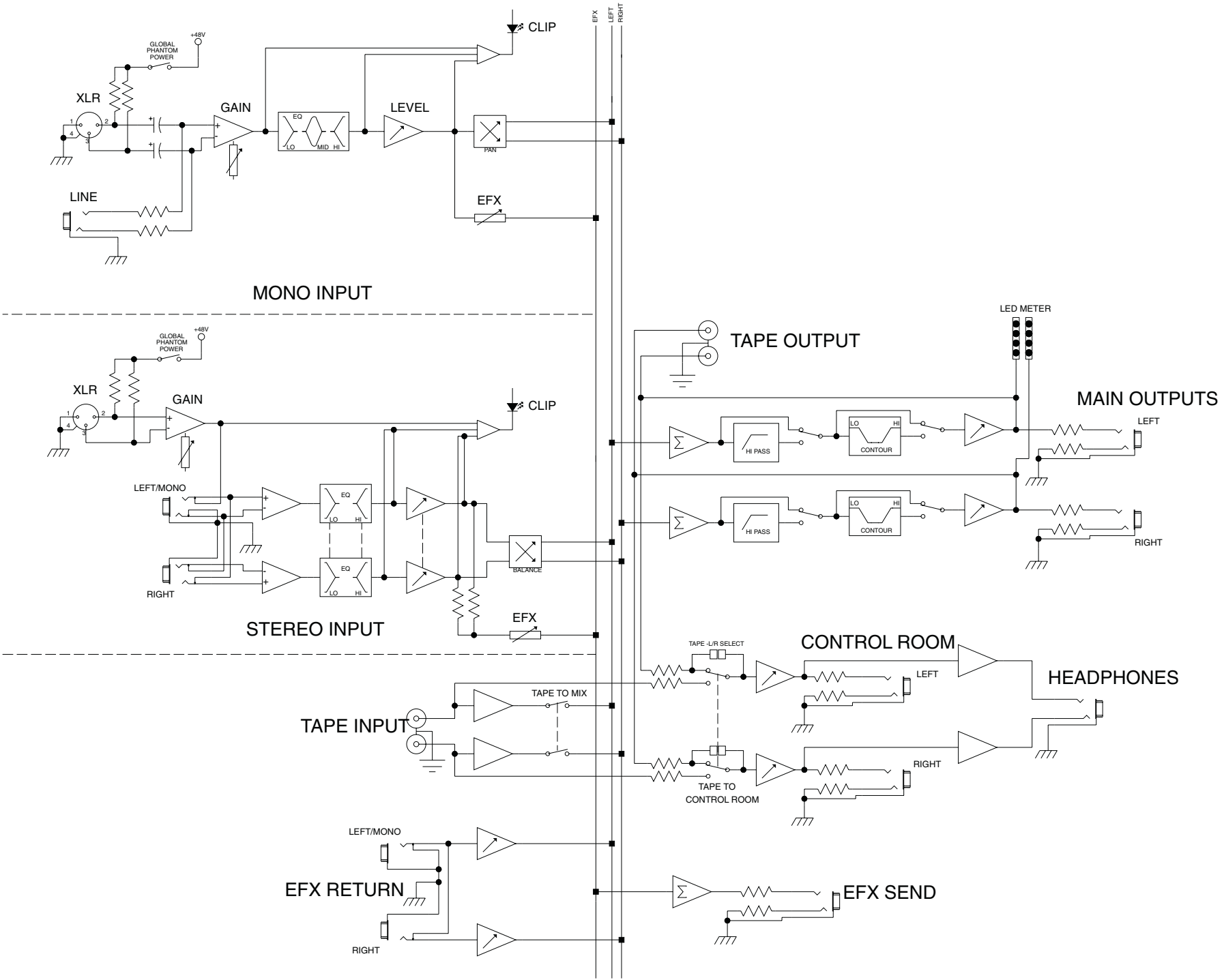
Cet interrupteur vous permet de mettre votre unité sous/hors tension.

### **Tape In/Out (32 & 31)**

Les entrées Tape vous permettent d'envoyer un signal à votre unité depuis un lecteur K7, CD, une carte son d'ordinateur, ... Elles représentent effectivement une entrée Stéréo additionnelle. En engageant l'interrupteur 'Tape to Main Mix' (15), ces entrées vous permettent également de contrôler le niveau du signal de sortie de votre enregistreur / carte son sans risque d'effet de boucle.



# Diagramme du PV<sup>®</sup>6



# Console de Mixage Compacte PV® 6

## SPECIFICATIONS

### Entrées

Fonction	Impédance Z (ohms min)	Gain d'Entrée	Niveaux d'Entrée			Bal/Unbal (Symétrique /Asymétrique)	Connecteur
			Min**	Nominal*	Max		
Microphone (150 ohms)	2.2k	Max Gain (60 dB)	-83 dBu	-56 dBu	-38 dBu	Bal	XLR Pin 1 Masse Pin 2 (+), Pin 3 (-1)
		Min Gain (9 dB)	-31 dBu	-5 dBu	+13 dBu		
Ligne (10k ohms)	10k	Max Gain (40 dB)	-63 dBu	-36 dBu	-18 dBu	Bal	1/4" TRS; Pointe (+), Anneau (-), Corps Masse
		Min Gain (-10 dB)	-12 dBu	+14 dBu	+32 dBu		
Entrées Ligne Stereo	10k	Max Gain (30 dB)	-26 dBu	+4 dBu	+22 dBu	Unbal	1/4" TRS; Pointe (+), Corps Masse
Retour Aux	10k	N/A (0 dB)	-17 dBu	+4 dBu	+22 dBu	Unbal	1/4" TRS; Pointe (+), Corps Masse
Enregistreur/ Platine	10k	N/A (10 dB)	-17 dBu	-10 dBV	+12 dBu	Unbal	Prise RCA

0 dBu = 0.775 V (RMS)

\*\* Le niveau minimum d'entrée est donné avec les contrôles de gain de canal et principaux en position maximum et produira un signal de niveau nominal (+4dBu).

\* Les niveaux sont donnés avec tous les contrôles en position 0dB (ou à mi-course pour les potentiomètres rotatifs) à l'exception du contrôle de gain mentionné.

### Sorties

Fonction	Impédance Z (ohms)	Niveaux de Sortie		Bal/Unbal (Symétrique /Asymétrique)	Connecteur
		Nominal	Max		
Principales Gauche/Droite	600	+4 dBu	+22 dBu	Bal	1/4" TRS: Pointe (+); Anneau (-); Corps Masse
Envoi d'Effets	600	+4 dBu	+22 dBu	Bal	1/4" TRS; Pointe (+), Corps Masse
Casque d'Ecoute	8	+4 dBu (sans charge)	+22 dBu	Unbal	1/4" TRS; Pointe Gauche, Anneau Droit, Corps Masse
Enregistreur/ Platine	2.2 k	+4 dBu	+22 dBu	Unbal	Peris RCA

0 dBu = 0.775 V (RMS)

### Gain

Plage de Sensibilité d'entrée Microphone: 10 dB à 60 dB

Rapport entrée Micro/Sorties Gauche/Droite: 87 dB (gain maximum)

Plage de Sensibilité d'entrée Ligne: -10 dB à 40 dB

Rapport entrée Ligne/Sorties Gauche/Droite: 67 dB (gain maximum)

Plage de Sensibilité d'entrée Ligne Stéréo: 10 dB

Rapport entrée Ligne Stéréo/Sorties Gauche/Droite: 28 dB (gain maximum)

Rapport entrée Auxiliaire/Sorties Gauche/Droite: 21 dB (gain maximum)

## Réponse en Fréquences

Comparaison entrée Micro/ Sorties Gauche/Droite: de 14 Hz à 25 kHz +0 dB/-1 dB

## Distortion d'Harmoniques

<0.01% 20 Hz à 20 kHz Comparaison entrée Micro/ Sorties Gauche/Droite (10 Hz à 80 kHz BW)

<0.005% Généralement mesuré

## Mesure de Bruits

Sortie	Bruit Résiduel	Rapport Signal/Bruit (réf. +4 dBu)	Conditions de Mesure
Sorties Gauche/Droite	-98 dBu	102 dB	Fader principaux et gain de canaux en position minimum
	-90 dBu	94 dB	Fader principaux en position unitaire et gain de canaux en position minimum
	-84 dBu	90 dB	Tous les contrôles en position unitaire, gain de microphone au minimum
Sortie pour envoi d'effets	-96 dBu	100 dB	Tous les contrôles au minimum
	-84 dBu	88 dB	Tous les contrôles en position unitaire

(Ecoute (mesure) du bruit de 22 Hz à 22 kHz BW)

## Bruit Equivalent en Entrée (EIN)

-129 dBu (150 ohms de charge)

## Bruit entre canaux

>80 dB entre canaux d'entrée (1 kHz)

>75 dB entre canaux de sorties principales (1 kHz)

## Rapport de Rejet (entrée Micro)

50 dB minimum (20 Hz à 20 kHz)

70 dB @ 1 kHz généralement mesuré

## Rangée de LED

4-unité, 0 dB = +4 dBu

## Indicateurs d'Ecrêtage

LED rouge s'illumine 3 dB avant seuil d'écrtage

## Dimensions

7.55" (19.18 cm) de large x 9.717" (24.68 cm) de profondeur x 2.7" (6.86 cm) de hauteur

## Poids

Avec transformateur d'alimentation: 3.9 lbs (1.77 kg)

Sans transformateur d'alimentation: 5.1 lbs (2.31 kg)

## Consommation Electrique

16.5 VAC 60 Hz; 8 watts



**PV<sup>®</sup>6 Mezcladora Compacta****Descripción**

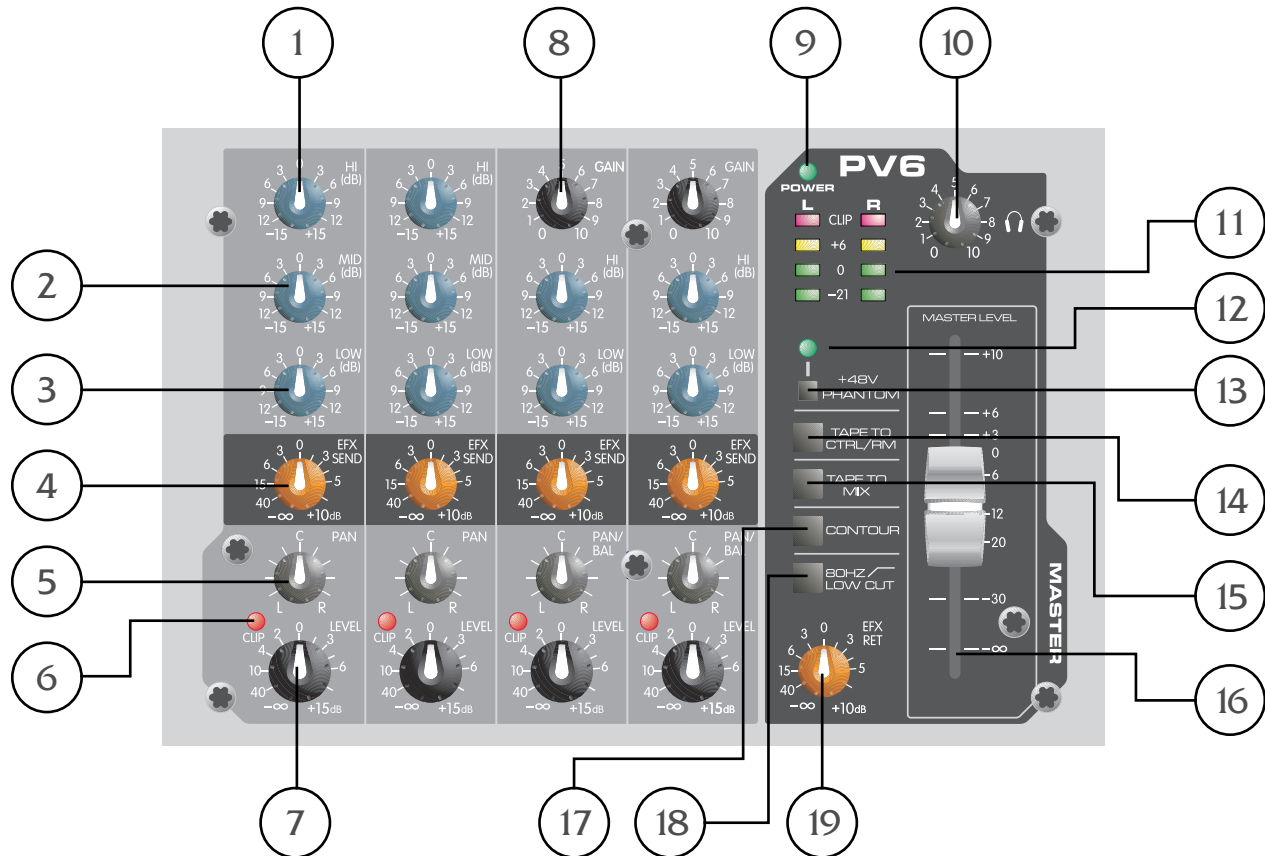
Felicidades en la compra de tu mezcladora compacta PV6 de Peavey. La PV6 es una consola con calidad para mezclas de estudio diseñada para cubrir necesidades diversas mientras ocupa un espacio pequeño. Es la consola perfecta para presentaciones en lugares chicos o para grabación en casa.

Por favor lee esta guía cuidadosamente para asegurar tu seguridad personal así como la seguridad de tu equipo.

**Características:**

- ➔ Entradas de micrófono XLR en los cuatro canales
- ➔ Dos canales estéreo con entradas de 1/4"
- ➔ Ecuador de tres bandas en los canales mono
- ➔ Ecuador de dos bandas en canales estéreo
- ➔ LEDs de clip que monitorean cuidadosamente la saturación
- ➔ Interruptor de corriente phantom de 48V
- ➔ Envío para efectos en todos los canales con retorno estéreo
- ➔ Capacidad de monitoreo durante grabación sin retraso
- ➔ Salida de cuarto de control con control de nivel
- ➔ Interruptor de control de contorno
- ➔ Interruptor de recorte de graves a 80 Hz

## PANEL FRONTAL



### EQ Agudo (1)

Un control de tono activo (tipo shelving  $\pm 15$  dB) que varía el nivel en el rango de frecuencias agudas.

### EQ Medio (2)

Un control de tono activo (tipo shelving  $\pm 15$  dB) que varía el nivel en el rango de frecuencias medias.

### EQ Grave (3)

Un control de tono activo (tipo shelving  $\pm 15$  dB) que varía el nivel en el rango de frecuencias graves.



Precaución: El incremento excesivo de frecuencias graves genera mayor consumo energético e incrementa las posibilidades de daños en los parlantes. **Attention:** Un niveau excessif de basses fréquences augmente considérablement les consommations en puissance et peut endommager vos hauts-parleurs.

### Envío de Efectos (4)

Este control ajusta el nivel de la señal del canal que se envía a la mezcla de efectos. La señal de envío de efectos sale después del control de nivel (7), por lo que los ajustes que se hagan al nivel afectarán también el nivel del envío.

### Pan (5)

Esta perilla controla la posición de la señal en el campo estéreo. Cuando es rotada completamente en contra de las manecillas del reloj la señal estará presente sólo en el canal izquierdo, cuando es rotada completamente en dirección de las manecillas del reloj la señal estará presente sólo en el canal derecho.

### LED de saturación (6)

Esta luz normalmente indica que el nivel del canal está cerca de la saturación. Los circuitos de este indicador monitorean la señal en varios puntos en el canal para asegurar la identificación de cualquier punto de saturación. Se ilumina a  $+19$  dBu e indica que la ganancia o los incrementos del ecualizador deben ser reducidos. Al encenderse quedan aproximadamente 3 dB de umbral.

## Nivel (7)

Este es el control de nivel de salida del canal. La posición óptima es la posición 0 (ganancia unitaria).

## Ganancia (8)

Este control establece el nivel nominal de operación del canal. La ganancia de entrada puede ser ajustada en un rango amplio para compensar voces muy suaves o baterías muy fuertes. Para maximizar la razón señal-ruido, la ganancia debe ser ajustada al nivel apropiado con el control de nivel (7) ajustado a 0. Si el LED de saturación se enciende y permanece encendido, trata de reducir el la ganancia.

## LED de Corriente (9)

Este LED indica que la unidad cuenta con corriente CA, que el interruptor de corriente está en la posición de encendido y que la unidad funciona apropiadamente.

## Nivel de Auriculares (10)

Esta perilla ajusta el nivel de salida para los auriculares y el cuarto de control. Para evitar dañar los oídos, asegúrate que la perilla esté rotada completamente en contra de la dirección de las manecillas el reloj antes de usar los auriculares. Lentamente rota la perilla en dirección de las manecillas del reloj hasta encontrar un nivel cómodo para escuchar. Normalmente, la señal en los auriculares es la señal L/R (Izq./der.). Si está activado el selector Cinta a Cuarto de Control (14), la señal de la cinta también se escuchará.

## Medidores de LED (11)

Dos medidores LED de cuatro segmentos se incluyen para monitorear los niveles de salida principal Izquierda/Derecha. Estos medidores tienen un rango de  $-21$  dB a  $+19$  dB. Cuando el medidor marca 0 dB corresponderá a  $+4$  dBu en las salidas.

## LED de Corriente Phantom (12)

Este LED se enciende para indicar que el Interruptor de Corriente Phantom (13) está activado.

## Interruptor de Corriente Phantom (13)

Aplica una corriente de  $+48$  VDC a las entradas XLR para alimentar micrófonos que requieran corriente phantom.

Si se usa la corriente phantom, no se deben conectar micrófonos dinámicos no balanceados u otros aparatos a las entradas XLR que no puedan trabajar con este voltaje. El LED de Corriente Phantom (12) indica cuando la corriente phantom está encendida.

## Cinta a Cuarto de Control (14)

Oprimir este interruptor añade el retorno de la cinta a las salidas del cuarto de control y de auriculares (24) para monitoreo sin retraso.

## Cinta a Mezcla (15)

Este control manda la señal de las entradas de cinta a las salidas principales (27).

## Fader de Nivel Maestro (16)

El Fader Maestro controla el nivel enviado a las salidas principales Izquierda y Derecha. Los mejores resultados se obtienen cuando este control está cerca de la posición 0.

## Interruptor de Contorno (17)

Activar este interruptor enriquece la señal añadiendo frecuencias graves y agudas. Esto es particularmente efectivo en volúmenes bajos o en reproducción de cintas o CDs.

## Recorte de Graves de 80 Hz (18)

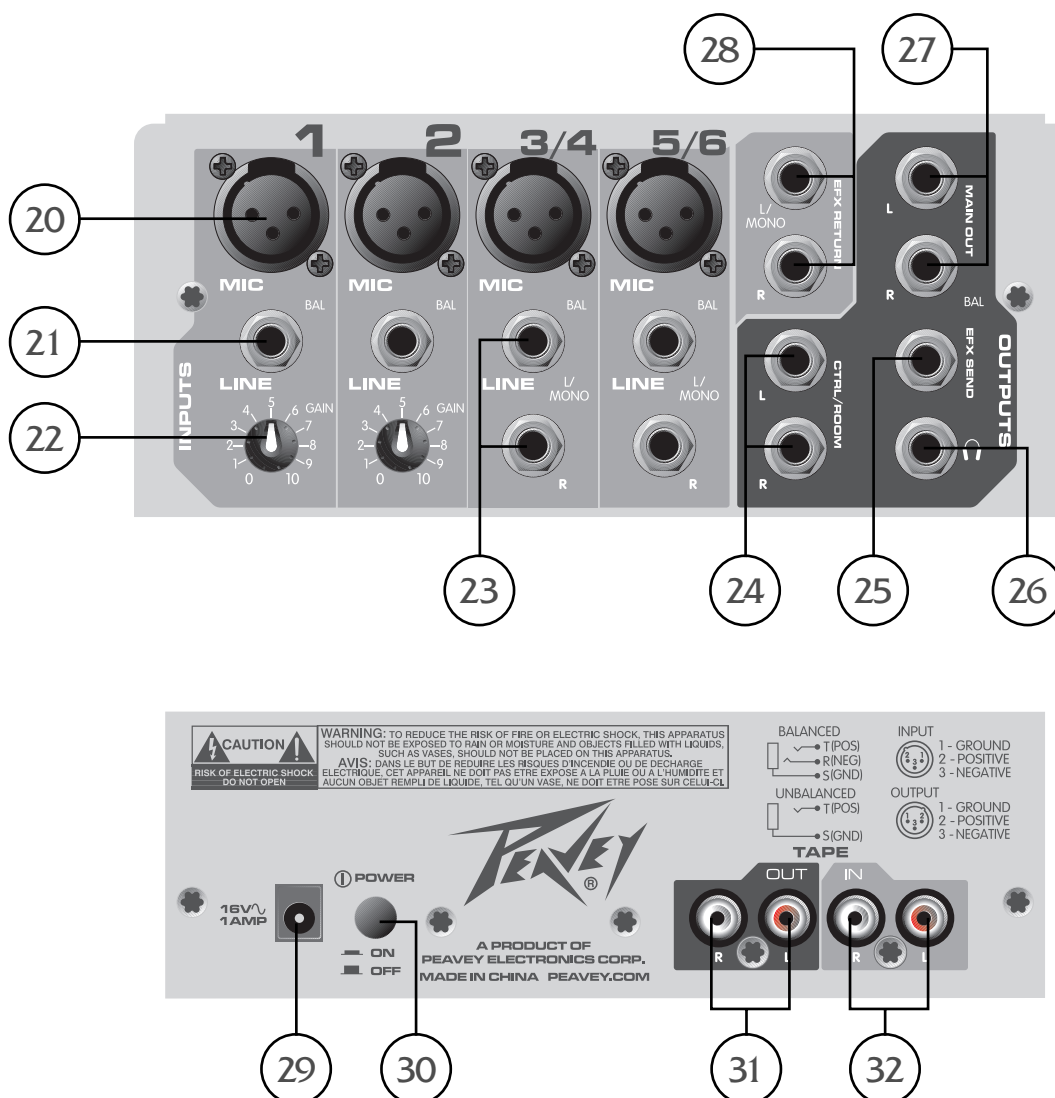
El filtro de recorte de graves cuenta con una frecuencia base de 80 Hz. Cuando es activado, puede incrementar la claridad quitando frecuencias graves que pueden hacer que la mezcla suene sucia o lodosa. Esta característica es particularmente benéfica cuando se usa afuera en un día con viento o en un escenario muy ruidoso. Este tipo de ruidos ambientales pueden robarle poder a tu sistema de sonido. Este interruptor quita estas frecuencias del sistema y regresa el poder a donde es necesario.



## Retorno de Efectos (19)

El Control de nivel de retorno de efectos ajusta el nivel enviado a la salida principal Izquierda/Derecha de las entradas de retorno.

## PANEL TRASERO



### Entradas XLR de Micro (20)

Estas entradas balanceadas han sido optimizadas para micrófonos u otras fuentes de baja impedancia. La aguja 2 es la entrada positiva. Dado el amplio rango de ajuste en la ganancia, se puede trabajar con niveles de señal de hasta +14 dBu.

### Entradas de Línea de 1/4" (21)

Entradas de 1/4" balanceadas (TRS) con impedancia de entrada de 10 Ohmios. La punta es la entrada positiva y debe ser usada para entradas no balanceadas, Tiene 20 dB menos de ganancia que la entrada XLR y no cuenta con corriente phantom. Las entradas de micro y de línea no deben ser usadas simultáneamente.

### Ganancia (Canales 1 y 2) (22)

Este control establece el nivel nominal de operación del canal. La ganancia de entrada puede ser ajustada en un rango amplio para compensar voces muy suaves o baterías muy fuertes. Para maximizar la razón señal-ruido, la ganancia debe ser ajustada al nivel apropiado con el control de nivel (7) ajustado a 0. Si el LED de saturación se enciende y permanece encendido, trata de reducir el la ganancia.

### **Entradas Estéreo (23)**

Los canales 3 y 4 cuentan con entradas estéreo vía entradas de 1/4" y entrada mono vía XLR. Cuando las entradas de 1/4" se usan, la entrada XLR de micro es muteada para prevenir ruidos no deseados.

### **Salidas para el Cuarto de Control (24)**

Las salidas para el cuarto de control cuentan con dos conectadores de 1/4" TRS balanceados. Estas salidas pueden ser usadas con cables balanceados de Punta, Maga y Anillo (TRS) o de Punta y Manga (TS) no balanceados. El nivel de Salida del Cuarto de Control se ajusta con el Control de Nivel de Auriculares (10).

### **Envío de Efectos (25)**

El Envío de Efectos cuenta con dos conectadores de 1/4" TRS balanceados. Estas salidas pueden ser usadas con cables balanceados de Punta, Maga y Anillo (TRS) o de Punta y Manga (TS) no balanceados. La mezcla de efecto es determinada por la cantidad de señal que es enviada al bus de efecto en cada canal.

### **Salida de Auriculares (26)**

La Salida de Auriculares es un conectador de 1/4" TRS (Punta = izquierda, anillo = derecha, manga = tierra). La señal enviada a esta salida normalmente es la mezcla Izq./Der. Cuando el interruptor de Cinta a Cuarto de Control (14) es activado, la señal de entrada de cinta es añadida a la mezcla Izq/Der y puede ser monitoreada en los auriculares.

### **Salida Izquierda/Derecha (27)**

Las salidas izquierda y derecha cuentan con dos conectadores de 1/4" TRS balanceados. Estas salidas pueden ser usadas con conectadores de punta, anillo y manga (TRS) balanceados o punta, manga (TS) no balanceados.

### **Retorno de Efectos (28)**

Las entradas de Retorno de Efectos (Izquierda/Mono, Derecha) cuentan con dos conectadores de 1/4" TRS balanceados. Estas entradas pueden ser usadas con cables balanceados de Punta, Maga y Anillo (TRS) o de Punta y Manga (TS) no balanceados. La mezcla de retorno de efecto es controlada por el Retorno de Efectos (19).

### **Entrada de Convertidor de Corriente (29)**

Usa esta entrada para conectar la fuente de poder incluida. Asegúrate que la fuente de poder está conectada a la PV®6 antes de conectarla a la fuente de corriente. Usa solamente un adaptador 16 VAC A.

### **Interruptor de Corriente (30)**

Oprimir este interruptor aplica corriente a la unidad.

### **Entrada/Salida de Cinta (32 y 31)**

Los conectadores de entrada han sido diseñados para trabajar con reproductores de cintas, CDs o tarjetas de sonido de computadoras. El nivel de salida es +4 dBu para conexión a una grabadora o entrada de tarjeta de computadora. Las entradas de cinta pueden ser usadas como una entrada estéreo adicional activando el Interruptor Cinta a Mezcla (15). La entrada de cinta también puede ser usada para monitorear la salida de la grabadora o tarjeta de computadora sin correr el riesgo de retroalimentar.





# PEAVEY ELECTRONICS CORPORATION LIMITED WARRANTY

EFFECTIVE DATE: JULY 1, 1998

## What This Warranty Covers

Your Peavey Warranty covers defects in material and workmanship in Peavey products purchased and serviced in the U.S.A. and Canada.

## What This Warranty Does Not Cover

The Warranty does not cover: (1) damage caused by accident, misuse, abuse, improper installation or operation, rental, product modification or neglect; (2) damage occurring during shipment; (3) damage caused by repair or service performed by persons not authorized by Peavey; (4) products on which the serial number has been altered, defaced or removed; (5) products not purchased from an Authorized Peavey Dealer.

## Who This Warranty Protects

This Warranty protects only the original retail purchaser of the product.

## How Long This Warranty Lasts

The Warranty begins on the date of purchase by the original retail purchaser. The duration of the Warranty is as follows:

Product Category	Duration
Guitars/Basses, Amplifiers, Pre-Amplifiers, Mixers, Electronic Crossovers and Equalizers	2 years *(+ 3 years)
Drums	2 years *(+ 1 year)
Enclosures	3 years *(+ 2 years)
Digital Effect Devices and Keyboard and MIDI Controllers	1 year *(+ 1 year)
Microphones	2 years
Speaker Components (incl. speakers, baskets, drivers, diaphragm replacement kits and passive crossovers) and all Accessories	1 year
Tubes and Meters	90 days

[\*Denotes additional warranty period applicable if optional Warranty Registration Card is completed and returned to Peavey by original retail purchaser within 90 days of purchase.]

## What Peavey Will Do

We will repair or replace (at Peavey's discretion) products covered by warranty at no charge for labor or materials. If the product or component must be shipped to Peavey for warranty service, the consumer must pay initial shipping charges. If the repairs are covered by warranty, Peavey will pay the return shipping charges.

## How To Get Warranty Service

(1) Take the defective item and your sales receipt or other proof of date of purchase to your Authorized Peavey Dealer or Authorized Peavey Service Center. OR

(2) Ship the defective item, prepaid, to Peavey Electronics Corporation, International Service Center, 412 Highway 11 & 80 East, Meridian, MS 39301 or Peavey Canada Ltd., 95 Shields Court, Markham, Ontario, Canada L3R 9T5. Include a detailed description of the problem, together with a copy of your sales receipt or other proof of date of purchase as evidence of warranty coverage. Also provide a complete return address.

## Limitation of Implied Warranties

ANY IMPLIED WARRANTIES, INCLUDING WARRANTIES OF MERCHANTABILITY AND FITNESS FOR A PARTICULAR PURPOSE, ARE LIMITED IN DURATION TO THE LENGTH OF THIS WARRANTY.

Some states do not allow limitations on how long an implied warranty lasts, so the above limitation may not apply to you.

## Exclusions of Damages

PEAVEY'S LIABILITY FOR ANY DEFECTIVE PRODUCT IS LIMITED TO THE REPAIR OR REPLACEMENT OF THE PRODUCT, AT PEAVEY'S OPTION. IF WE ELECT TO REPLACE THE PRODUCT, THE REPLACEMENT MAY BE A RECONDITIONED UNIT. PEAVEY SHALL NOT BE LIABLE FOR DAMAGES BASED ON INCONVENIENCE, LOSS OF USE, LOST PROFITS, LOST SAVINGS, DAMAGE TO ANY OTHER EQUIPMENT OR OTHER ITEMS AT THE SITE OF USE, OR ANY OTHER DAMAGES WHETHER INCIDENTAL, CONSEQUENTIAL OR OTHERWISE, EVEN IF PEAVEY HAS BEEN ADVISED OF THE POSSIBILITY OF SUCH DAMAGES.

Some states do not allow the exclusion or limitation of incidental or consequential damages, so the above limitation or exclusion may not apply to you.

This Warranty gives you specific legal rights, and you may also have other rights which vary from state to state.

If you have any questions about this warranty or service received or if you need assistance in locating an Authorized Service Center, please contact the Peavey International Service Center at (601) 483-5365 / Peavey Canada Ltd. at (905) 475-2578.

FEATURES AND SPECIFICATIONS SUBJECT TO CHANGE WITHOUT NOTICE.



Features and specifications subject to change without notice.

Peavey Electronics Corporation • 711 A Street • Meridian • MS • 39301  
(601) 483-5365 • FAX (601) 486-1278 • [www.peavey.com](http://www.peavey.com)



## Free Manuals Download Website

<http://myh66.com>

<http://usermanuals.us>

<http://www.somanuals.com>

<http://www.4manuals.cc>

<http://www.manual-lib.com>

<http://www.404manual.com>

<http://www.luxmanual.com>

<http://aubethermostatmanual.com>

Golf course search by state

<http://golfingnear.com>

Email search by domain

<http://emailbydomain.com>

Auto manuals search

<http://auto.somanuals.com>

TV manuals search

<http://tv.somanuals.com>