

KB/A™ 15

KEYBOARD/ACOUSTIC
AMPLIFIER



OPERATING GUIDE





Intended to alert the user to the presence of uninsulated "dangerous voltage" within the product's enclosure that may be of sufficient magnitude to constitute a risk of electric shock to persons.



Intended to alert the user of the presence of important operating and maintenance (servicing) instructions in the literature accompanying the product.

CAUTION: Risk of electrical shock – DO NOT OPEN!

CAUTION: To reduce the risk of electric shock, do not remove cover. No user serviceable parts inside. Refer servicing to qualified service personnel.

WARNING: To prevent electrical shock or fire hazard, do not expose this appliance to rain or moisture. Before using this appliance, read the operating guide for further warnings.



Este símbolo tiene el propósito de alertar al usuario de la presencia de "(voltaje) peligroso" que no tiene aislamiento dentro de la caja del producto que puede tener una magnitud suficiente como para constituir riesgo de corrientazo.



Este símbolo tiene el propósito de alertar al usuario de la presencia de instrucciones importantes sobre la operación y mantenimiento en la literatura que viene con el producto.

PRECAUCION: Riesgo de corrientazo – No abra.

PRECAUCION: Para disminuir el riesgo de corrientazo, no abra la cubierta. No hay piezas adentro que el usuario pueda reparar. Deje todo mantenimiento a los técnicos calificados.

ADVERTENCIA: Para evitar corrientazos o peligro de incendio, no deje expuesto a la lluvia o humedad este aparato. Antes de usar este aparato, lea más advertencias en la guía de operación.



Ce symbole est utilisé pour indiquer à l'utilisateur la présence à l'intérieur de ce produit de tension non-isolée dangereuse pouvant être d'intensité suffisante pour constituer un risque de choc électrique.



Ce symbole est utilisé pour indiquer à l'utilisateur qu'il ou qu'elle trouvera d'importantes instructions sur l'utilisation et l'entretien (service) de l'appareil dans la littérature accompagnant le produit.

ATTENTION: Risques de choc électrique – NE PAS OUVRIR!

ATTENTION: Afin de réduire le risque de choc électrique, ne pas enlever le couvercle. Il ne se trouve à l'intérieur aucune pièce pouvant être réparée par l'utilisateur. Confier l'entretien à un personnel qualifié.

AVERTISSEMENT: Afin de prévenir les risques de décharge électrique ou de feu, n'exposez pas cet appareil à la pluie ou à l'humidité. Avant d'utiliser cet appareil, lisez les avertissements supplémentaires situés dans le guide.



Dieses Symbol soll den Anwender vor unisolierten gefährlichen Spannungen innerhalb des Gehäuses warnen, die von Ausreichender Stärke sind, um einen elektrischen Schlag verursachen zu können.

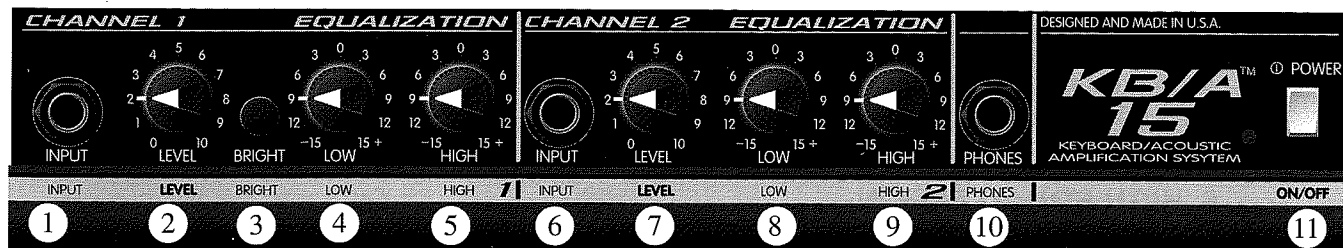


Dieses Symbol soll den Benutzer auf wichtige Instruktionen in der Bedienungsanleitung aufmerksam machen, die Handhabung und Wartung des Produkts betreffen.

VORSICHT: Risiko – Elektrischer Schlag! Nicht öffnen!

VORSICHT: Um das Risiko eines elektrischen Schlages zu vermeiden, nicht die Abdeckung entfernen. Es befinden sich keine Teile darin, die vom Anwender repariert werden könnten. Reparaturen nur von qualifiziertem Fachpersonal durchführen lassen.

ACHTUNG: Um einen elektrischen Schlag oder Feuergefahr zu vermeiden, sollte dieses Gerät nicht dem Regen oder Feuchtigkeit ausgesetzt werden. Vor Inbetriebnahme unbedingt die Bedienungsanleitung lesen.



FRONT PANEL

KB/A™ 15

Thank you for selecting the KB/A™ 15 keyboard/acoustic amplifier. The Peavey KB/A 15 is perfect for practice, pre-gig warm-ups, songwriting or any application where quality sound is important, but a large, bulky unit is just too much. The design of the KB/A 15 makes it a compact workhorse amplifier for keyboardists, acoustic guitar players and other musicians needing full-range output in a small package. At 15 watts RMS, the KB/A 15's heavy-duty 8" speaker gets the job done! And for situations that require headphones, the KB/A 15 delivers. Two channels are provided, featuring 1/4" inputs, level controls, and two-band active equalization (Low, High). In addition, Channel One features a Bright switch. The front panel headphone jack automatically disables the internal speaker when connected.

Special attention was given to make the KB/A 15 as compact and light as possible to maximize portability, yet provide a "big" sound. Go ahead...pick it up! At 14 lbs., it's perfect for "on-the-go" projects. And the size? Well, let's say it'll fit just about anywhere.

Like all of the KB/A Series, the KB/A 15 is built for the road. First, extremely tough black covering is provided along with heavy-duty corners. Second, a serious handle is available at the top of the unit. Third, heavy-duty rubber feet are provided to protect the bottom.

This amp is for real. Check it out---it's all there...sound, portability, roadworthy design. Also, with every KB/A series amplifier, you get Peavey's excellent one-year warranty (check the warranty document at the end of the manual for full details), and the best in customer service from Peavey's award-winning repair and service department.

CHANNEL ONE

1. INPUT

Signal input for Channel One. This 1/4" jack input will accept signals from a variety of keyboard and acoustic instruments.

2. LEVEL

Controls the Channel One 1/4" phone jack input level.

3. BRIGHT SWITCH

Causes the mid-range and treble frequencies to be boosted.

4. LOW EQUALIZATION

An active tone control (shelving type +/-15 dB) for boosting or cutting the bass frequency range. Caution: Excessive low frequency boost can damage the speaker.

5. HIGH EQUALIZATION

An active tone control (shelving type +/-15 dB) for boosting or cutting the treble frequency range.

CHANNEL TWO

6. INPUT

Signal input for Channel Two. This 1/4" jack input will accept signals from a variety of keyboard and acoustic instruments.

7. LEVEL

Controls the Channel Two 1/4" phone jack input level.

8. LOW EQUALIZATION

An active tone control (shelving type +/-15 dB) for boosting or cutting the bass frequency range. Caution: Excessive low frequency boost can damage the speaker.

9. HIGH EQUALIZATION

An active tone control (shelving type +/-15 dB) for boosting or cutting the treble frequency range.

MASTER

10. HEADPHONE JACK

A headphone jack is provided for stereo headphones. This switching jack disengages the internal speaker when plugged in.

11. POWER SWITCH

On/Off switch. The red pilot light illuminates when the unit is turned on.

BACK PANEL



SPECIFICATIONS

RATED POWER & LOAD

15 W RMS into 3.2 ohms

POWER@CLIPPING (TYPICAL)

(5% THD, 1 kHz, 120 VAC line)

15 W RMS into 3.2 ohms

TOTAL HARMONIC DISTORTION

Less than 0.5%, 100 mW to 10 W RMS, 60 Hz to 10kHz, 3.2 ohms
(typically below 0.2%)

POWER CONSUMPTION

40 watts, 50/60 Hz, 120 VAC

PREAMP SECTION

The following specs are measured @1 kHz with the master EQ flat @ 0 dB.

Nominal values are with levels @5

Minimum values are with levels @10

INSTRUMENT INPUTS

Input impedance:

220 K ohms

Nominal input level:

-7 dBV, 450 mV RMS

Minimum input level:

-26 dBV, 50 mV RMS

Maximum input level:

+8dBV, 2.5V RMS

HEADPHONE OUTPUT

(Stereo headphone jack, mono signal)

Load impedance:

4 ohms or greater

Nominal power output:

20 mW into 4 ohms.

(Switching jack disconnects the internal speaker when plug is inserted)

The following specs measured at nominal settings, all inputs terminated with 47K ohms.

FREQUENCY RESPONSE

+0, -2 dB, 50 Hz to 10 kHz

PREAMP HUM & NOISE

80 dBV (both channels operating)

EQUALIZATION (both channels)

±15 dB @80Hz & 8kHz, shelving

WEIGHT & DIMENSIONS

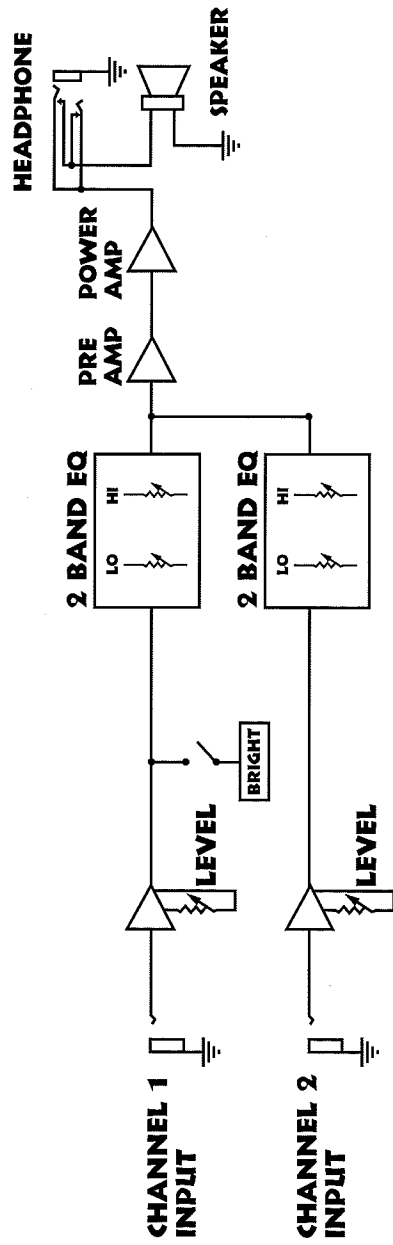
Weight: 15.2 lbs

Width: 14.875"

Depth: 8.5"

Height: 14.125"

ALL SPECIFICATIONS SUBJECT TO CHANGE WITHOUT NOTICE



This block diagram shows signal flow within the unit. In order to thoroughly understand the unit's functions, please study the diagram carefully.

Free Manuals Download Website

<http://myh66.com>

<http://usermanuals.us>

<http://www.somanuals.com>

<http://www.4manuals.cc>

<http://www.manual-lib.com>

<http://www.404manual.com>

<http://www.luxmanual.com>

<http://aubethermostatmanual.com>

Golf course search by state

<http://golfingnear.com>

Email search by domain

<http://emailbydomain.com>

Auto manuals search

<http://auto.somanuals.com>

TV manuals search

<http://tv.somanuals.com>