

PEAVEY

Wiggly

EVERY PLAYER IS A WINNER!

OPERATING MANUAL



Intended to alert the user to the presence of uninsulated “dangerous voltage” within the product’s enclosure that may be of sufficient magnitude to constitute a risk of electric shock to persons.



Intended to alert the user of the presence of important operating and maintenance (servicing) instructions in the literature accompanying the product.

CAUTION: Risk of electrical shock — DO NOT OPEN!

CAUTION: To reduce the risk of electric shock, do not remove cover. No user serviceable parts inside. Refer servicing to qualified service personnel.

WARNING: To prevent electrical shock or fire hazard, do not expose this appliance to rain or moisture. Before using this appliance, read the operating guide for further warnings.



Este símbolo tiene el propósito, de alertar al usuario de la presencia de “(voltaje) peligroso” sin aislamiento dentro de la caja del producto y que puede tener una magnitud suficiente como para constituir riesgo de descarga eléctrica.



Este símbolo tiene el propósito de alertar al usuario de la presencia de instrucciones importantes sobre la operación y mantenimiento en la información que viene con el producto.

PRECAUCION: Riesgo de descarga eléctrica ¡NO ABRIR!

PRECAUCION: Para disminuir el riesgo de descarga eléctrica, no abra la cubierta. No hay piezas útiles dentro. Deje todo mantenimiento en manos del personal técnico cualificado.

ADVERTENCIA: Para evitar descargas eléctricas o peligro de incendio, no deje expuesto a la lluvia o humedad este aparato. Antes de usar este aparato, lea más advertencias en la guía de operación.



Ce symbole est utilisé dans ce manuel pour indiquer à l'utilisateur la présence d'une tension dangereuse pouvant être d'amplitude suffisante pour constituer un risque de choc électrique.



Ce symbole est utilisé dans ce manuel pour indiquer à l'utilisateur qu'il ou qu'elle trouvera d'importantes instructions concernant l'utilisation et l'entretien de l'appareil dans le paragraphe signalé.

ATTENTION: Risques de choc électrique — NE PAS OUVRIR!

ATTENTION: Afin de réduire le risque de choc électrique, ne pas enlever le couvercle. Il ne se trouve à l'intérieur aucune pièce pouvant être réparée par l'utilisateur. Confiez l'entretien et la réparation de l'appareil à un réparateur Peavey agréé.

AVERTISSEMENT: Afin de prévenir les risques de décharge électrique ou de feu, n'exposez pas cet appareil à la pluie ou à l'humidité. Avant d'utiliser cet appareil, lisez attentivement les avertissements supplémentaires de ce manuel.



Dieses Symbol soll den Anwender vor unisolierten gefährlichen Spannungen innerhalb des Gehäuses warnen, die von Ausreichender Stärke sind, um einen elektrischen Schlag verursachen zu können.



Dieses Symbol soll den Benutzer auf wichtige Instruktionen in der Bedienungsanleitung aufmerksam machen, die Handhabung und Wartung des Produkts betreffen.

VORSICHT: Risiko — Elektrischer Schlag! Nicht öffnen!

VORSICHT: Um das Risiko eines elektrischen Schlages zu vermeiden, nicht die Abdeckung entfernen. Es befinden sich keine Teile darin, die vom Anwender repariert werden könnten. Reparaturen nur von qualifiziertem Fachpersonal durchführen lassen.

ACHTUNG: Um einen elektrischen Schlag oder Feuergefahr zu vermeiden, sollte dieses Gerät nicht dem Regen oder Feuchtigkeit ausgesetzt werden. Vor Inbetriebnahme unbedingt die Bedienungsanleitung lesen.

Dweezil Zappa

since 1969


Dear Wiggy owner,

Congratulations on having excellent taste. Your beautifully crafted Wiggy™ cannot wait to bond with you.

I wanted an amplifier that would allow me to carve out signature sounds that reflected my personality. Regardless of your musical style or personality, you will likely find your Wiggy to be extremely helpful in assisting you creatively and musically. The Wiggy has been designed to bring out the best characteristics of your guitar. Clean tones, semi-distorted tones, saturated distortion tones, traditional tones and uniquely EQ'd tones are easy to dial in.

Whether you have single coil pickups or humbuckers in your guitar, by experimenting with the sample settings provided in this manual, you will discover the unsurpassed versatility that the Wiggy has to offer. Afterwards, creating your own personal tones will be ridiculously easy. Be sure to try varying your volume level via your guitar's volume knob each time you set up a sound. Dynamics and sensitivity will obviously differ depending on where your volume is set.

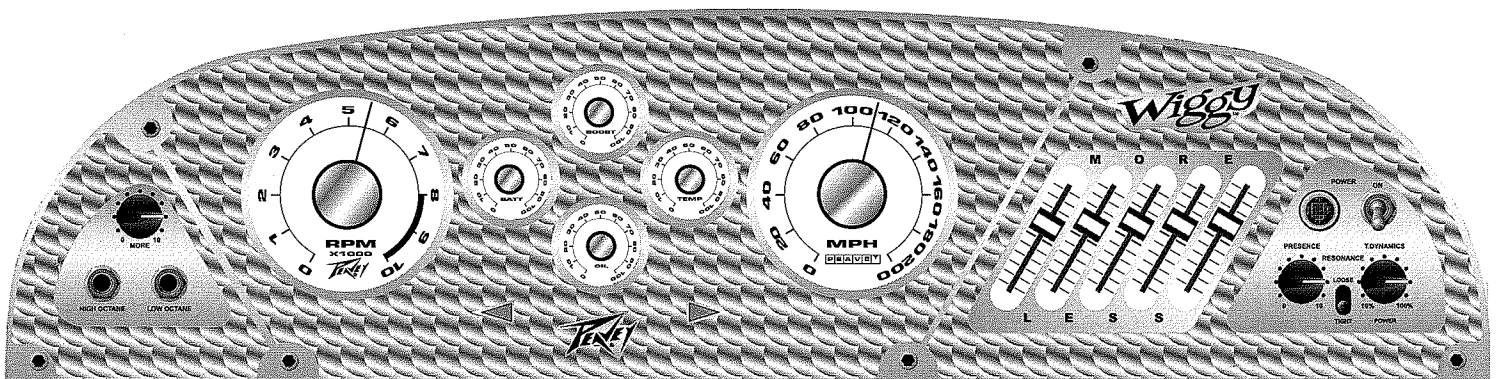
Use the blank faceplate preset sheets provided in this manual to help you recall your own personal settings. I hope you enjoy your Wiggy.



ENGLISH



The road you take to achieve cool tone is as individual as you are, but the Wiggy is definitely the wheels to get you there. Peavey's collaboration with world-class guitarist Dweezil Zappa has produced a hot rod amp in sound as well as looks. From its HIGH and LOW OCTANE inputs to its paralleled outputs, the Wiggy rules the road. Travelling with its companion, the Wiggy 212 cabinet, this roadster will turn heads with its awesome performance. With 100 Watts of TransTube® power under the hood, strap on your guitar - and fasten your seat belts!

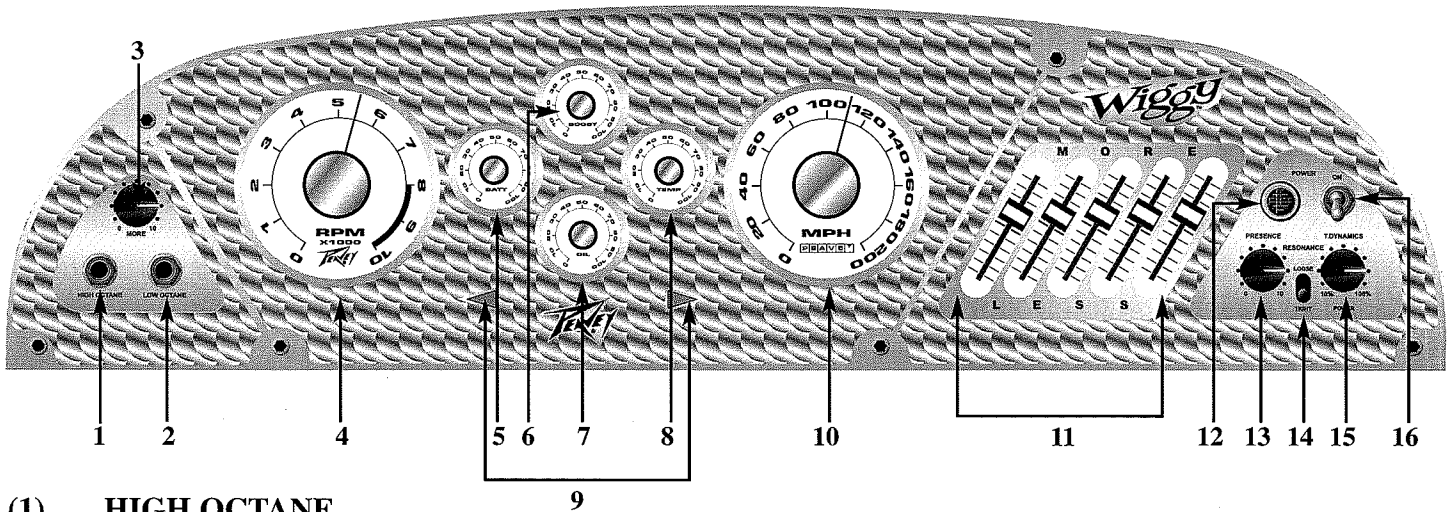


FEATURES

- 100 W into 4, 8, or 16 Ohms (selectable impedance)
- Footswitchable TransTube MORE front end (gain boost level)
- Flashing hazard lights when MORE is engaged
- RPM (gain) and MPH (master volume) controls
- 3-band BATT, OIL, and TEMP (low, mid, and high) EQ
- BOOST control for post-EQ fuzz/gain boost
- 5-band WIGGY graphic EQ
- PRESENCE and T. DYNAMICS® controls
- RESONANCE switch
- Footswitchable EFFECTS LOOP with EFFECTS LEVEL switch
- Lighted control panel
- Footswitch included

FEATURES AND CONTROLS

FRONT PANEL



(1) **HIGH OCTANE**

High performance demands quality fuel. This 1/4" high-gain input is where you fuel the Wiggy with most electric guitars. It has an octane rating of +6 dB over the LOW OCTANE (2) input.

(2) **LOW OCTANE**

For signals that are already hot enough, gas up here. This 1/4" low-gain input is where instruments with extremely high outputs, that might overdrive the HIGH OCTANE (1) input, enter the tank.

(3) **MORE**

This calibrated control determines how much MORE (input gain boost) you cruise with. It can only be deactivated from the floorboard. When the footswitch is connected, this control sets the amount of footswitchable boost available. See the section on FLOORBOARD in this driver's guide for an explanation of footswitch operation.

(4) **RPM**

Cruise along or rev it to the red line with this pre-EQ gain control. For cleaner sounds hold the RPMs low and increase the MPH (10). To let the top down and let your hair blow back with a killer overdrive sound, red-line the RPMs and ease back on the MPH (10).

(5) **BATT**

Jump start your lows with this passive tone control. The BATT has plenty of juice to regulate low frequencies.

(6) **BOOST**

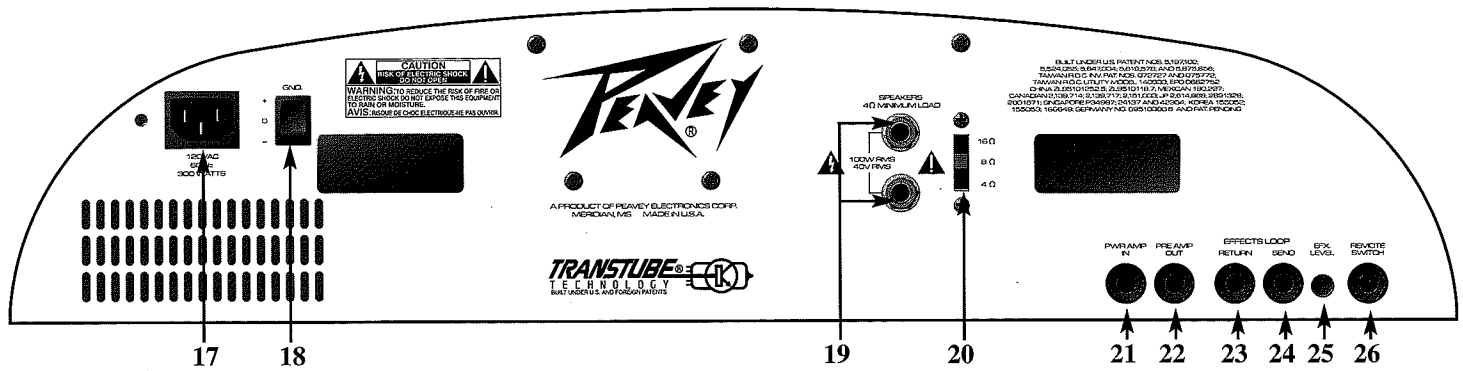
This calibrated control pours the nitrous to your signal in the form of an increase in post-EQ fuzz/gain boost.

(7) **OIL**

Keep your mids well lubricated with this passive tone control. The OIL gauge regulates mid frequencies.

- (8) **TEMP**
Run your highs hot or cold with this passive tone control. The TEMP gauge regulates high frequencies.
- (9) **HAZARD FLASHERS**
These warning indicators flash when the MORE (3) function is engaged.
- (10) **MPH**
Whether out for a Sunday drive or running flat out, this master volume control shows your speed. See the RPM (4) section for suggestions on speed control.
- (11) **WIGGY GRAPHIC EQ**
Is less more, or is more less? It's your call with this 5-band graphic EQ. No matter where you set these center-detented sliders, you're sure to get great tone.
- (12) **POWER LAMP**
This classic indicator lamp illuminates when you fire up for a drive.
- (13) **PRESENCE**
If the sound and look of your wheels hasn't demonstrated your arrival already, this active power amp tone control boosts extremely high frequencies by up to 6 dB.
- (14) **RESONANCE**
This 2-position switch lets you control speaker resonance in the Wiggy™ 212 (or other cabinets) by changing the damping factor at the resonant frequency of the cabinet. The LOOSE position allows more speaker cone vibration once the signal is no longer present; the TIGHT position allows less. For a "boomy" sound set the switch LOOSE; for a "punchy" sound set it TIGHT.
- (15) **T. DYNAMICS®**
This calibrated (10% - 100%) control adjusts the horsepower (power amp output level) of the Wiggy. When set to lower levels, the tube power compression simulation will be much more pronounced.
- (16) **POWER SWITCH**
Placing this heavy-duty toggle switch in the ON position fires up the Wiggy. Successful cranking will be indicated by the illumination of the POWER LAMP (12). When you return from your cruise, placing the switch in the downward position kills the engine.

BACK PANEL



(17) IEC CONNECTOR

This is a standard IEC power connector. An AC mains cord having the appropriate AC plug and ratings for the intended operating voltage is included. The mains cord should be connected to the amplifier before connecting to a suitable AC outlet.



U.S. DOMESTIC AC MAINS CORD

The mains cord supplied with the unit is a heavy-duty, 3-conductor type with a conventional 120 VAC plug with ground pin. If the outlet used does not have a ground pin, a suitable grounding adapter should be used and the third wire should be grounded properly.

Never break off the ground pin on any equipment. It is provided for your safety.

NOTE: FOR UK ONLY

If the colors of the wires in the mains lead of this unit do not correspond with the colored markings identifying the terminals in your plug, proceed as follows: (1) The wire that is colored green and yellow must be connected to the terminal that is marked by the letter E, the earth symbol, colored green, or colored green and yellow. (2) The wire that is colored blue must be connected to the terminal that is marked with the letter N or the color black. (3) The wire that is colored brown must be connected to the terminal that is marked with the letter L or the color red.

(18) GROUND POLARITY SWITCH

This 3-position, rocker-type switch should normally be placed in the center (0) position. If hum or noise is noticed coming from the speaker enclosure(s), the switch may be placed in the (+) or (-) position to minimize hum/noise. If changing the polarity does not alleviate the problem, consult your authorized Peavey dealer, the Peavey factory, or a qualified service technician.

(19) SPEAKERS



These paralleled 1/4" jacks deliver your signal to the Wiggy™ 212 (or another) speaker cabinet(s). Minimum load impedance is 4 Ohms. The IMPEDANCE SELECTOR SWITCH (20) should be set for the correct enclosure load.

(20) IMPEDANCE SELECTOR SWITCH



This 3-position switch allows appropriate selection of speaker cabinet impedance. If two enclosures of equal impedance are used, the switch should be set to half the individual value. For example, two 16-Ohm enclosures necessitate an 8-Ohm setting, while two 8-Ohm enclosures would require a 4-Ohm setting. Minimum speaker impedance is 4 Ohms.

(21) PWR AMP IN

This 1/4" jack allows the connection of line-level signals directly to the Wiggy power amp.

(22) PREAMP OUT

This 1/4" jack allows patching to mixing consoles, tape recorders, etc. Use a shielded cable to patch from this jack to the input of the device receiving the signal. This patch does not affect the operation of the amplifier or the signal continuing to the power amp and speakers.

(23/24) EFFECTS LOOP

These 1/4" jacks allow a signal to be sent to and returned from external effects and/or signal processors. Using shielded cables with 1/4" phone plugs, patch from SEND (24) to the input of the external device, and from the output of the external device to RETURN (23). Only devices that do not increase signal gain (chorus, delay, reverb, etc.) should be used in this effects loop. See the FLOORBOARD section of this manual for explanation of EFFECTS LOOP operation via footswitch.

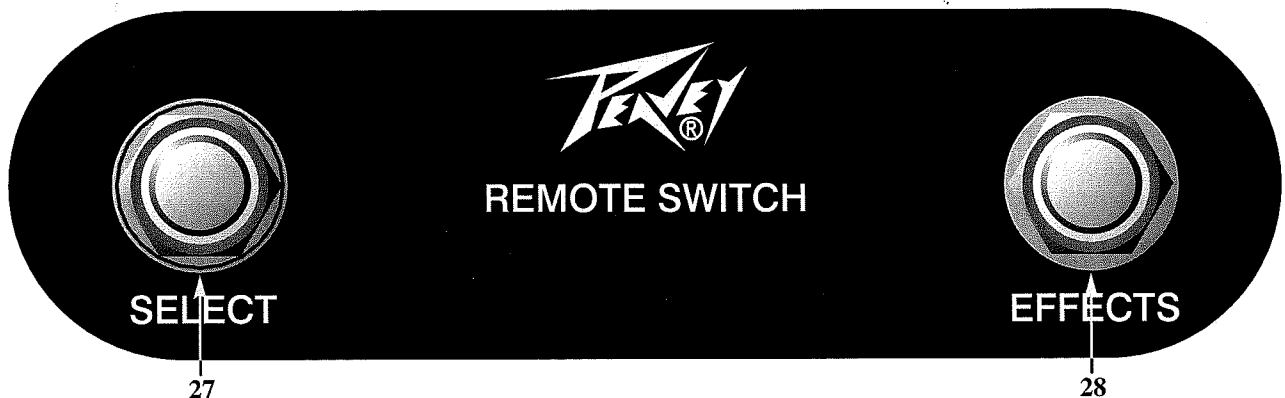
(25) EFX LEVEL

This 2-position button selects the EFFECTS LOOP (23/24) sensitivity to avoid overdriving effects with no input level controls.

(26) REMOTE SWITCH

This 1/4" jack is provided for connection of the FLOORBOARD (footswitch) supplied with the Wiggy. Always insert the footswitch plug fully (second click) to ensure proper operation. See the following section of this manual for explanation on footswitch operation.

FLOORBOARD



(27) SELECT

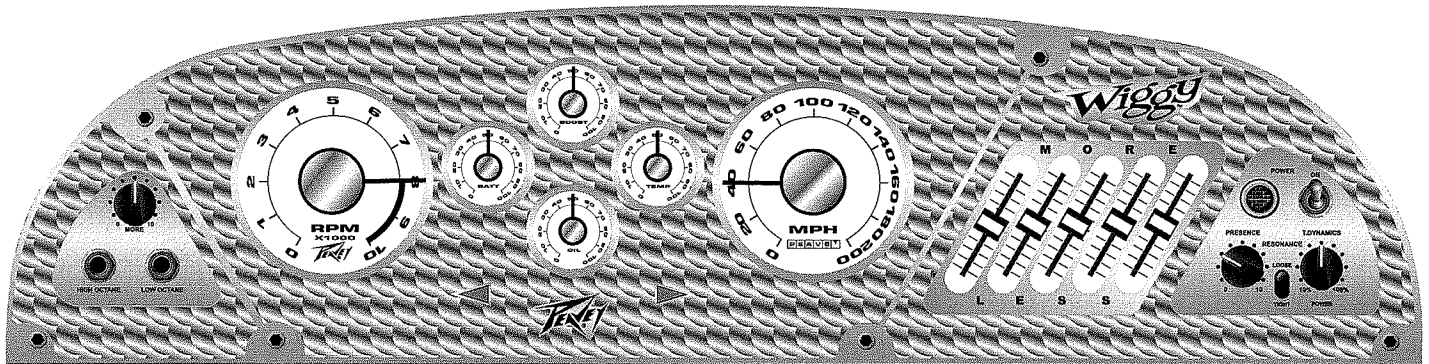
This button activates/defeats the MORE (3) function. When this button is depressed, the setting selected on the front panel is activated. Depressing the button again bypasses the function.

(28) EFFECTS

This button activates/defeats the EFFECTS LOOP (23/24). When this button is depressed, the signal is sent to and returned from effects. Depressing the button again bypasses the loop.

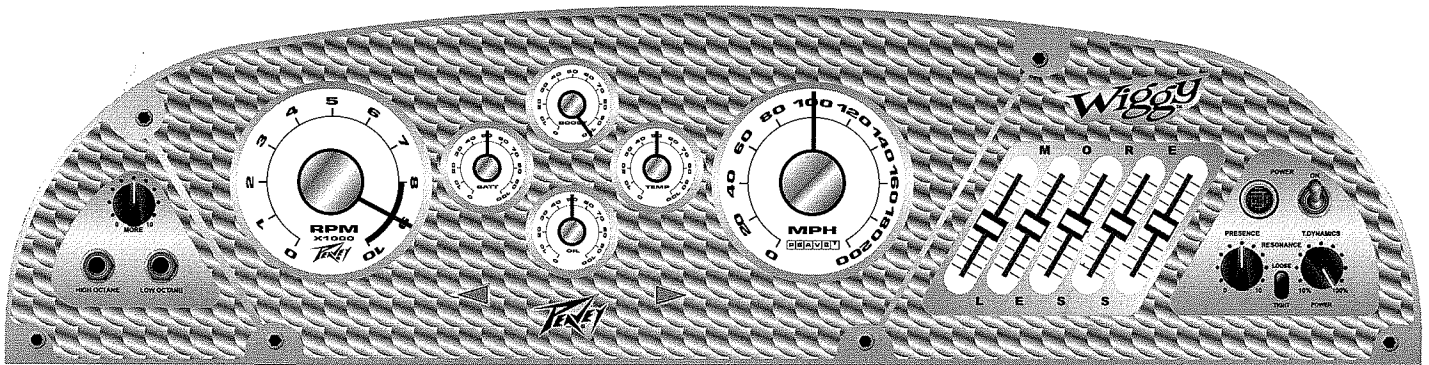
DWEEZIL'S RECOMMENDED SETTINGS

NEUTRAL / WARM UP (mostly clean with a hint of breakup)



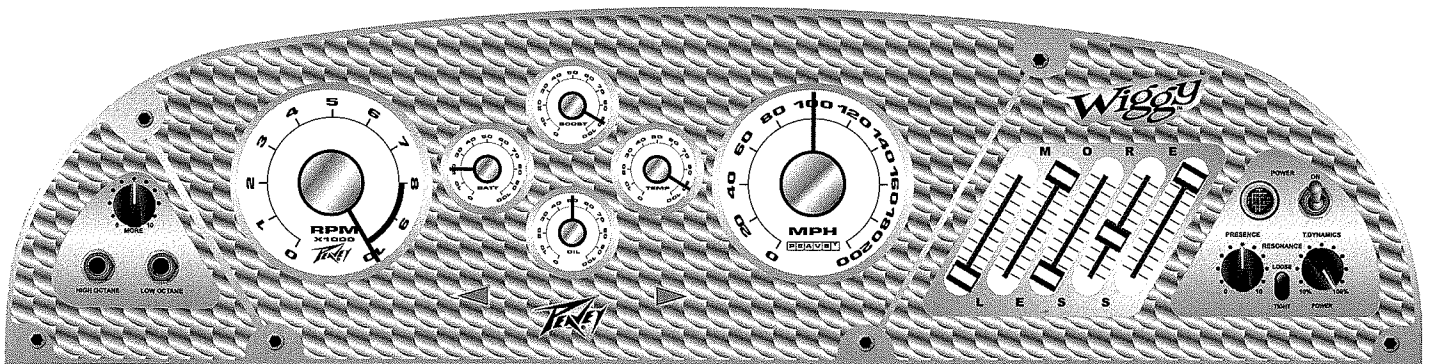
Play this mode with the “MORE” function disengaged. The “MORE” function in this mode is very gnarly, almost “satisfaction.”

“BRO-HAM” CRUISE CONTROL (rhythm / lead sound foundation)



This mode is usually played without the “MORE” function, but “MORE” can be very effective in this mode. It adds compression, overtone, and gain to bring out the personality of each guitar. This mode is very responsive to attack. *For more gain and breakup, increase RPM to maximum (10).

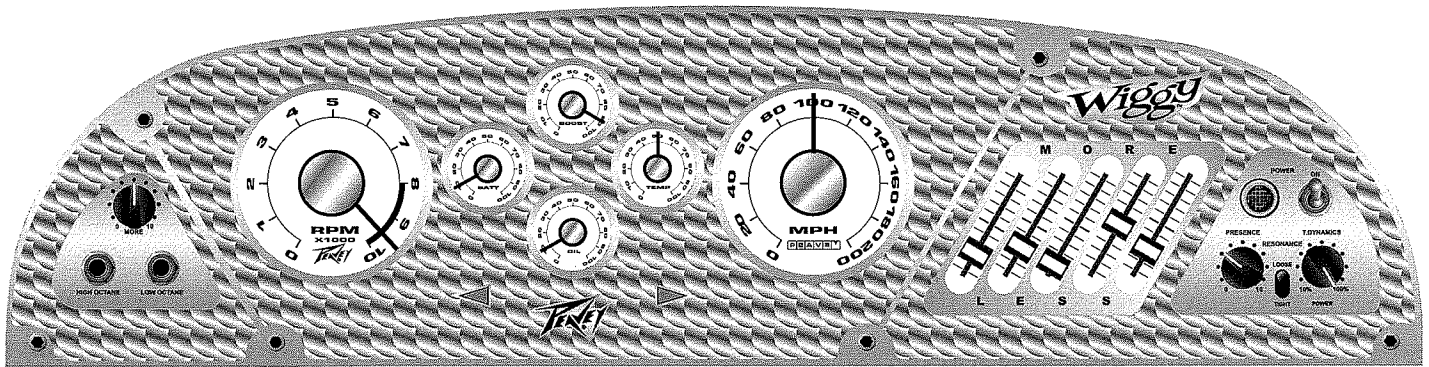
“NOTCHY McGEE”



This mode provides a great lead and rhythm tone for humbucking guitars. It is a high-gain setting applicable to all styles. Play this mode with the “MORE” function disengaged.

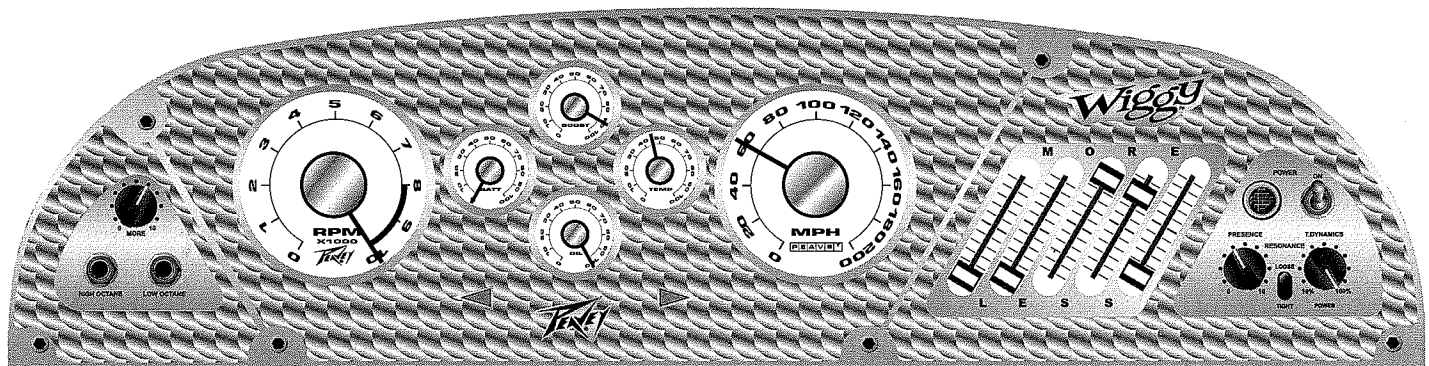
RECOMMENDED SETTINGS cont'd.

“SILKY JOHNSON”



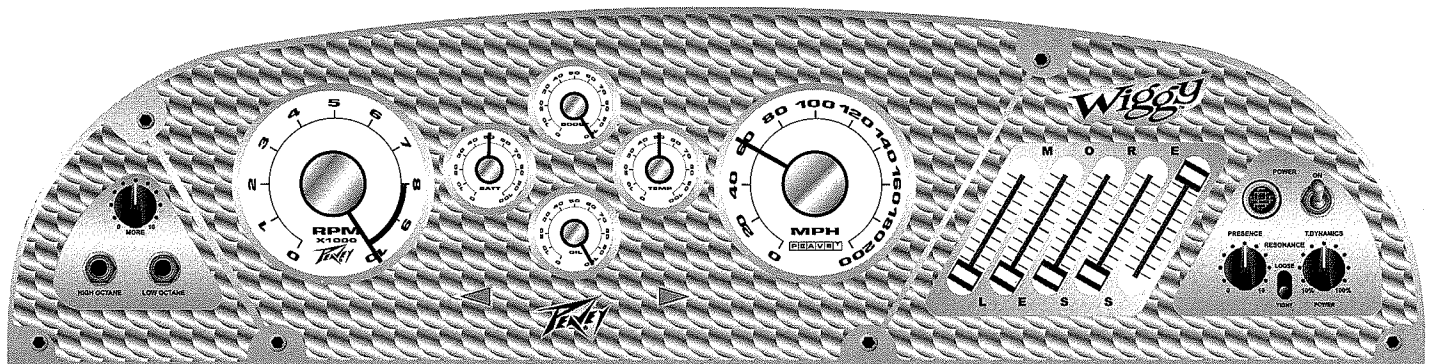
This is a rhythm mode for single-coil guitars. Play this mode with the “MORE” function disengaged.

“SMOOTHY JACKSON”



This mode is a neck pickup lead tone with lots of sustain and feedback. Play this function with the “MORE” function engaged.

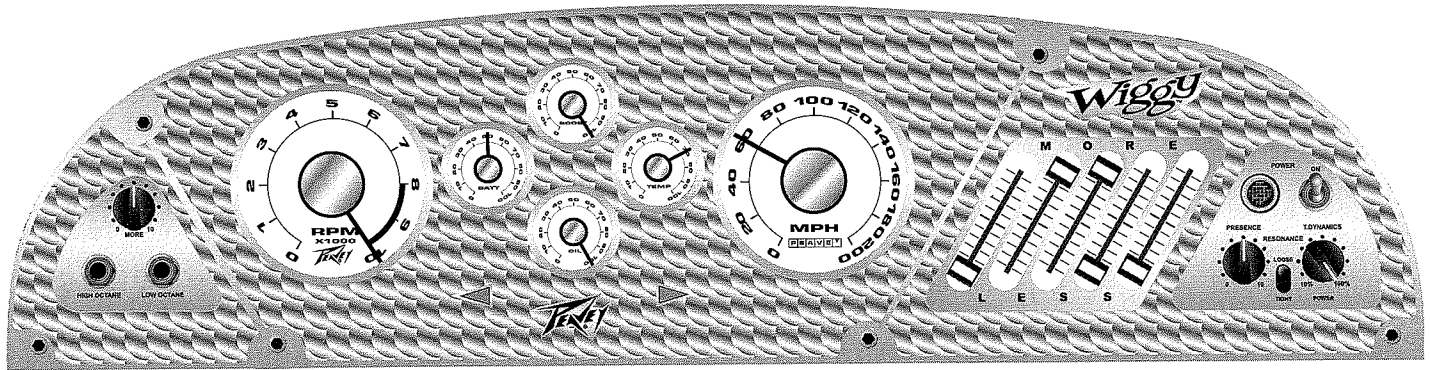
“MOSQUITO” TONE



This mode is applicable to any guitar, to both lead and rhythm, and may be played with or without “MORE.”

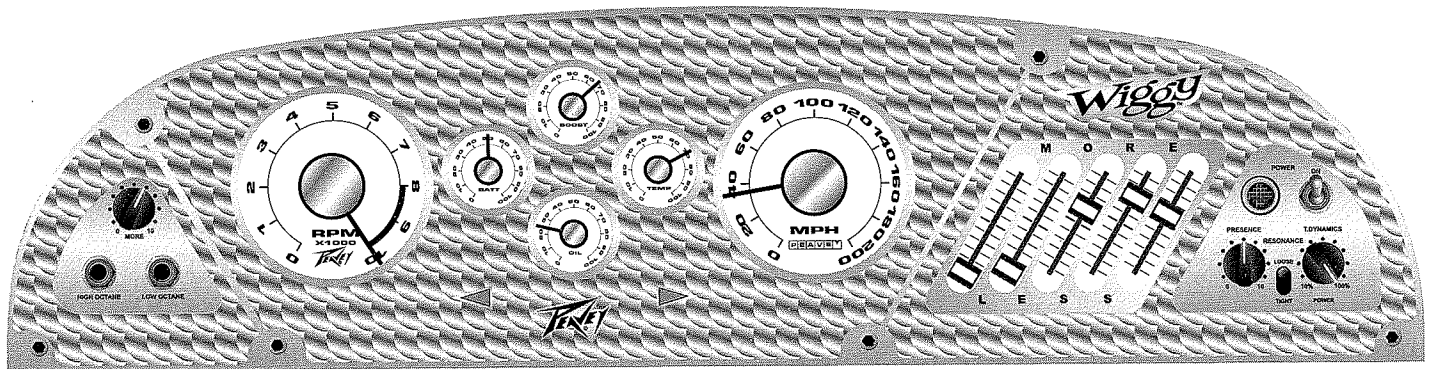
RECOMMENDED SETTINGS cont'd.

“EXPLODING WHALE”



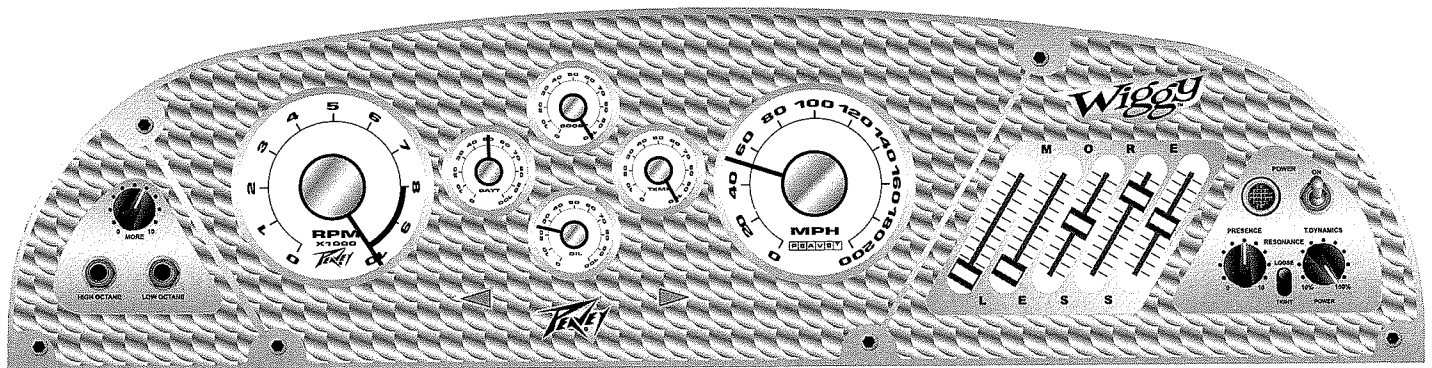
This mode is applicable to any guitar and produces thick, throaty tone for single note lines when the “MORE” function is engaged. Chords will “explode.” Try unison bends to hear the madness!

“RIGHT HAND MAN”



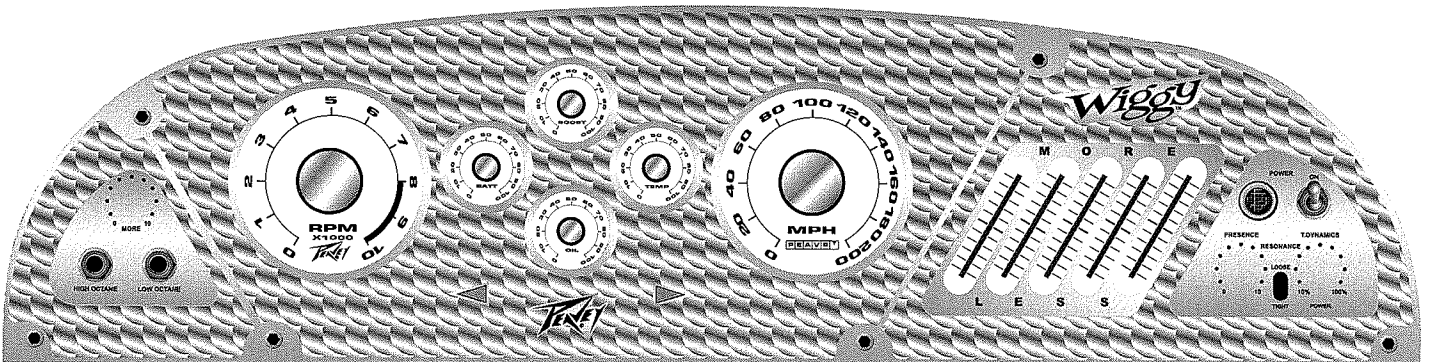
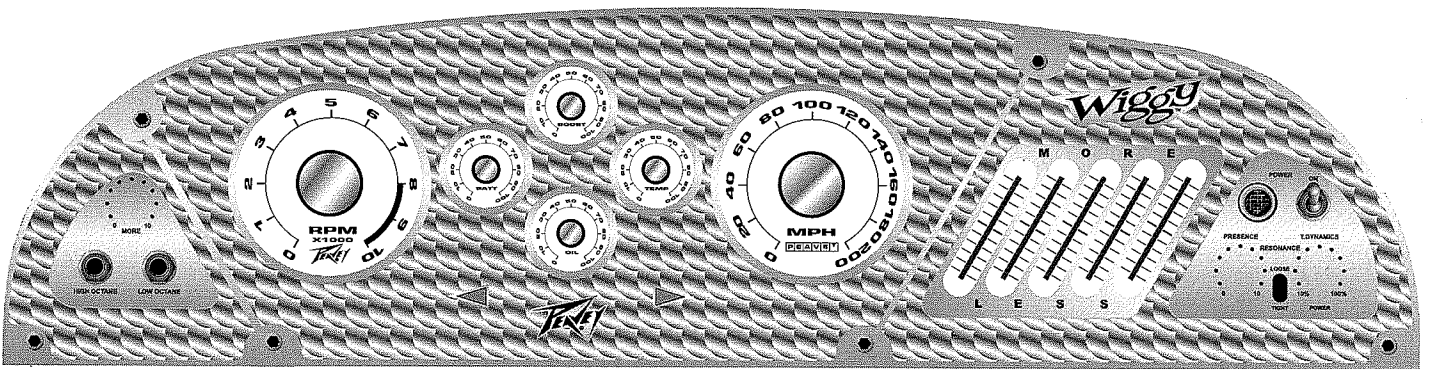
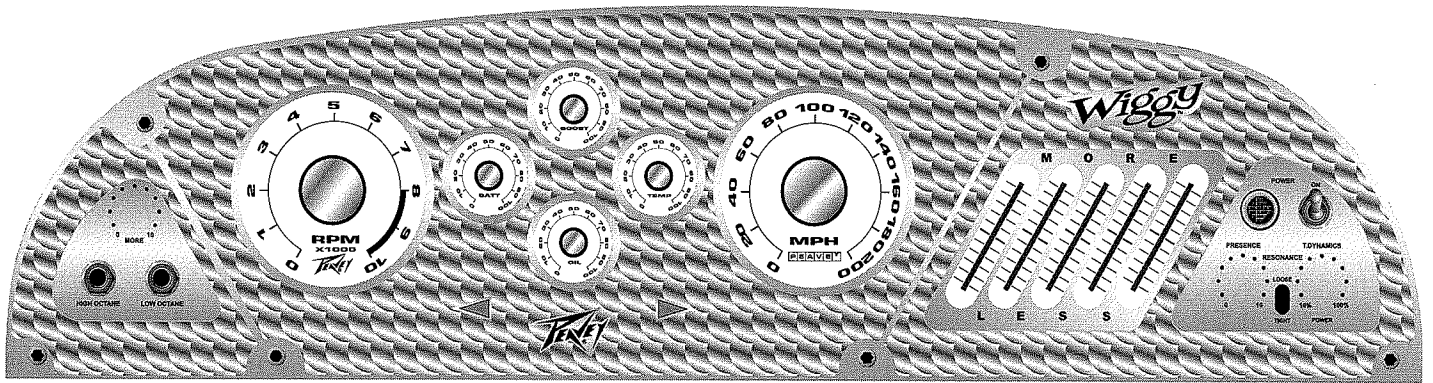
This tone will get the job done. Punchy yet warm with lots of dynamics and sustain good for all styles. Try this with the “MORE” function engaged first.

“HEAVY DUPREE”

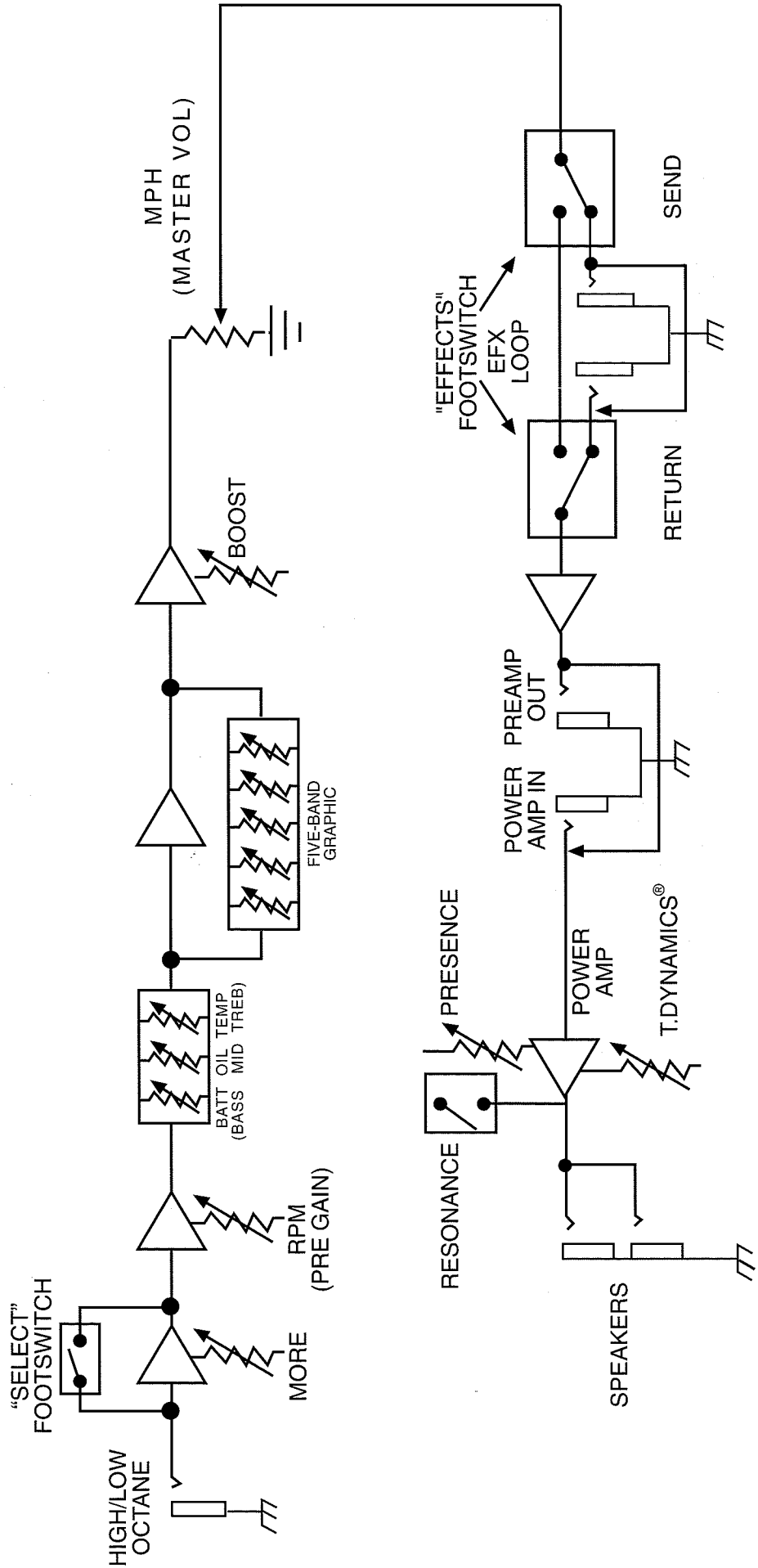


Perfect tone for drop D tuning power 5th chords and any heavy articulation parts. Lots of sustain even without the “MORE” function engaged. Use the “MORE” function for maximum sustain and throaty lead tone.

USER SETTINGS



Wiggy™ Diagram



WIGGY™ SPECIFICATIONS

Power Amplifier Section:

Rated power and load:

Power specs measured with T. Dynamics® @ 10
100 W RMS (@ 5% THD) into 4, 8, or 16 Ohms (selectable impedance)

Frequency response:

+0, -3 dB 100 Hz to 20 kHz @ 65 W RMS into 8 Ohms

Hum and noise:

Greater than 88 dB below rated power

Power consumption:

300 W @ 60 Hz, 120 VAC, domestic
300 W @ 50/60 Hz, 220-230/240 VAC, export

Preamp Section:

The following specs are measured @ 1 kHz with the controls preset as follows:

MORE @ fully counterclockwise; RPM @ 9; BATT and TEMP @ 100; OIL @ 0; BOOST @ 0; MPH @ 200; Graphic EQ controls centered

Preamp high gain input:

Impedance: High Z, 250 k Ohms
Nominal Input Level: -20.5 dBV, 94 mV RMS
Maximum Input Level: 0 dBV, 1 V RMS

Preamp low gain input:

Impedance: High Z, 44 k Ohms
Nominal Input Level: -14.5 dBV, 188 mV RMS
Maximum Input Level: +6 dBV, 2 V RMS

Effects send:

Load Impedance: 1 k Ohms or greater
Nominal Output Level:
Effects Level switch "out": -10 dBV,
0.32 V RMS
Effects Level switch "in": 0 dBV,
1 V RMS

Effects return:

Impedance: High Z, 22 k Ohms
Designed Input Level:
Effects Level switch "out": -10 dBV, 0.32 V RMS
Effects Level switch "in": 0 dBV, 1 V RMS
(Switching jack provides effects send to effects return connection when not used.)

Preamp output:

Load Impedance: 1 k Ohms or greater
Nominal Output Level: 0 dBV, 1 V RMS

Power amp input:

Impedance: High Z, 22 k Ohms
Designed Input Level: 0 dBV, 1 V RMS
(Switching jack provides preamp output to power amp input connection when not used.)

System hum and noise @ nominal input level:

(20 Hz to 20 kHz unweighted)
Greater than 76 dB below rated power

Equalization:

Special BATT, OIL, and TEMP passive type EQ
Special 5-band graphic EQ
Presence: +6 dB @ 5 kHz
Push Resonance: +6 dB @ resonant frequency of cabinet

External footswitch functions:

Select: MORE boost function defeat
Effects: Effects loop bypass

Dimensions:

9" (229 mm) H x 27" (686 mm) W x 11.5" (292 mm) D

Weight:

31.8 lbs. (14.5 kg)

Free Manuals Download Website

<http://myh66.com>

<http://usermanuals.us>

<http://www.somanuals.com>

<http://www.4manuals.cc>

<http://www.manual-lib.com>

<http://www.404manual.com>

<http://www.luxmanual.com>

<http://aubethermostatmanual.com>

Golf course search by state

<http://golfingnear.com>

Email search by domain

<http://emailbydomain.com>

Auto manuals search

<http://auto.somanuals.com>

TV manuals search

<http://tv.somanuals.com>