

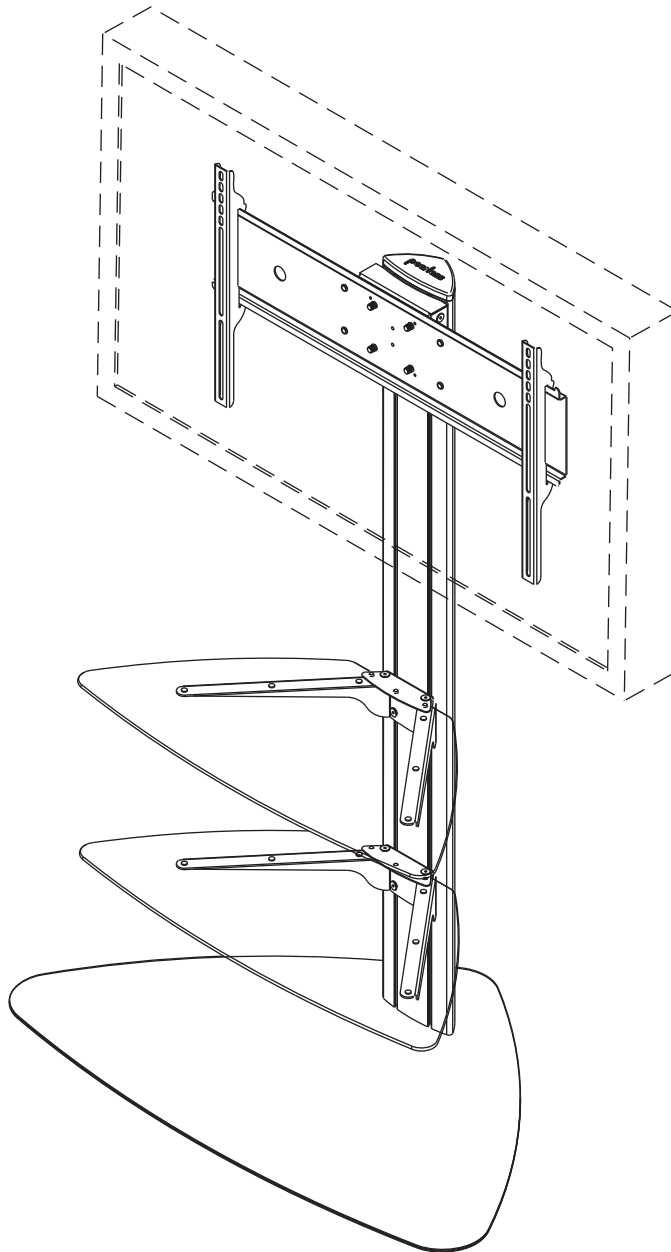


Installation and Assembly: 32" - 50" Flat Panel TV Stand

Models: SS550P, SS550P-S



This product is UL Listed. It must be installed by a qualified professional installer.



Max Load Capacity:
150 lb (68 kg) screen
50 lb (22.7 kg) per shelf

Note: Read entire instruction sheet before you start installation and assembly.

⚠ WARNING

- Do not begin to install your Peerless product until you have read and understood the instructions and warnings contained in this Installation Sheet. If you have any questions regarding any of the instructions or warnings, please call Peerless customer care at 1-800-865-2112.
- This product should only be installed by someone of good mechanical aptitude, has experience with basic building construction, and fully understands these instructions.
- Make sure that the supporting surface will safely support the combined load of the equipment and all attached hardware and components.
- Never exceed the Maximum UL Load Capacity. See page one.
- If mounting to wood wall studs, make sure that mounting screws are anchored into the center of the studs. Use of an "edge to edge" stud finder is highly recommended.
- Always use an assistant or mechanical lifting equipment to safely lift and position equipment.
- Tighten screws firmly, but do not overtighten. Overtightening can damage the items, greatly reducing their holding power.
- This product was designed and intended to be mounted to the following supporting surfaces checked below with the hardware included in this product as specified in the installation sheet. To mount this product to an alternative supporting surface, contact Peerless customer care at 1-800-865-2112.
- This product was designed to be installed on the following wall construction only;

WALL CONSTRUCTION

ADDITIONAL HARDWARE REQUIRED

<input checked="" type="checkbox"/> Wood Stud	None
<input checked="" type="checkbox"/> Wood Beam	None
<input checked="" type="checkbox"/> Solid Concrete	None
<input checked="" type="checkbox"/> Cinder Block	None
<input type="checkbox"/> Metal Stud	Do not attach except with Peerless accessory kit for metal studs; Contact Customer Service for Peerless accessory kit for metal studs.
<input type="checkbox"/> Brick	Contact Customer Service
<input type="checkbox"/> Other or unsure?	Contact Customer Service

Tools Needed for Assembly

- level
- phillips screwdriver

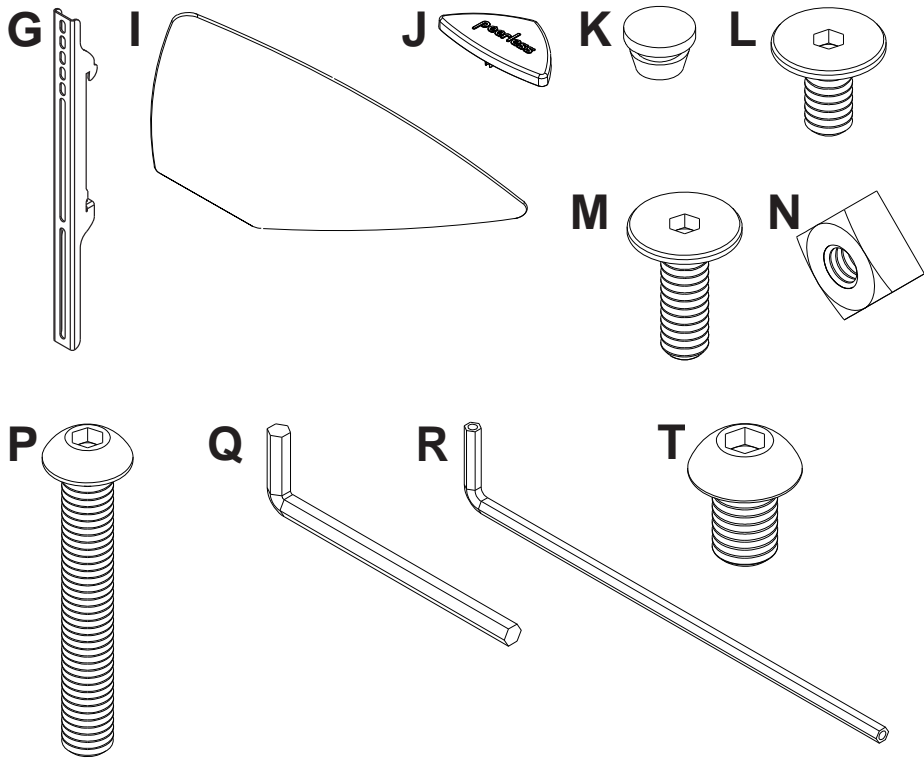
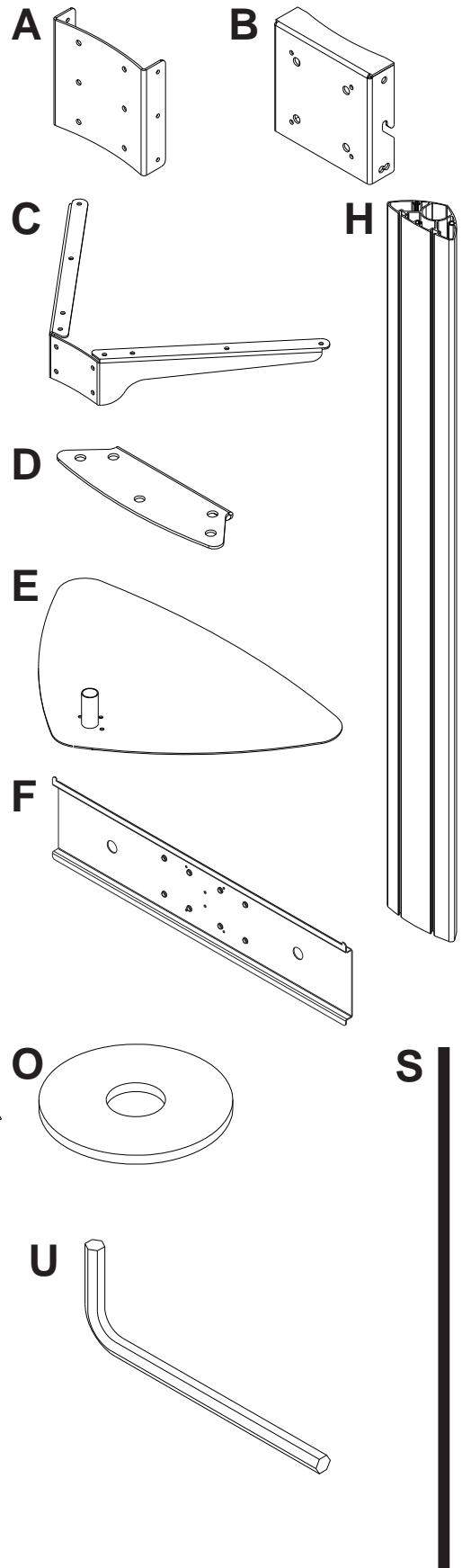
Table of Contents

Parts List	3, 4
Assembling Floor Stand	4
Attaching Screen Using Universal Plate with Adapter Brackets	8
Attaching Screen with VESA 100 Mounting Pattern	11

Before you begin, make sure all parts shown are included with your product.

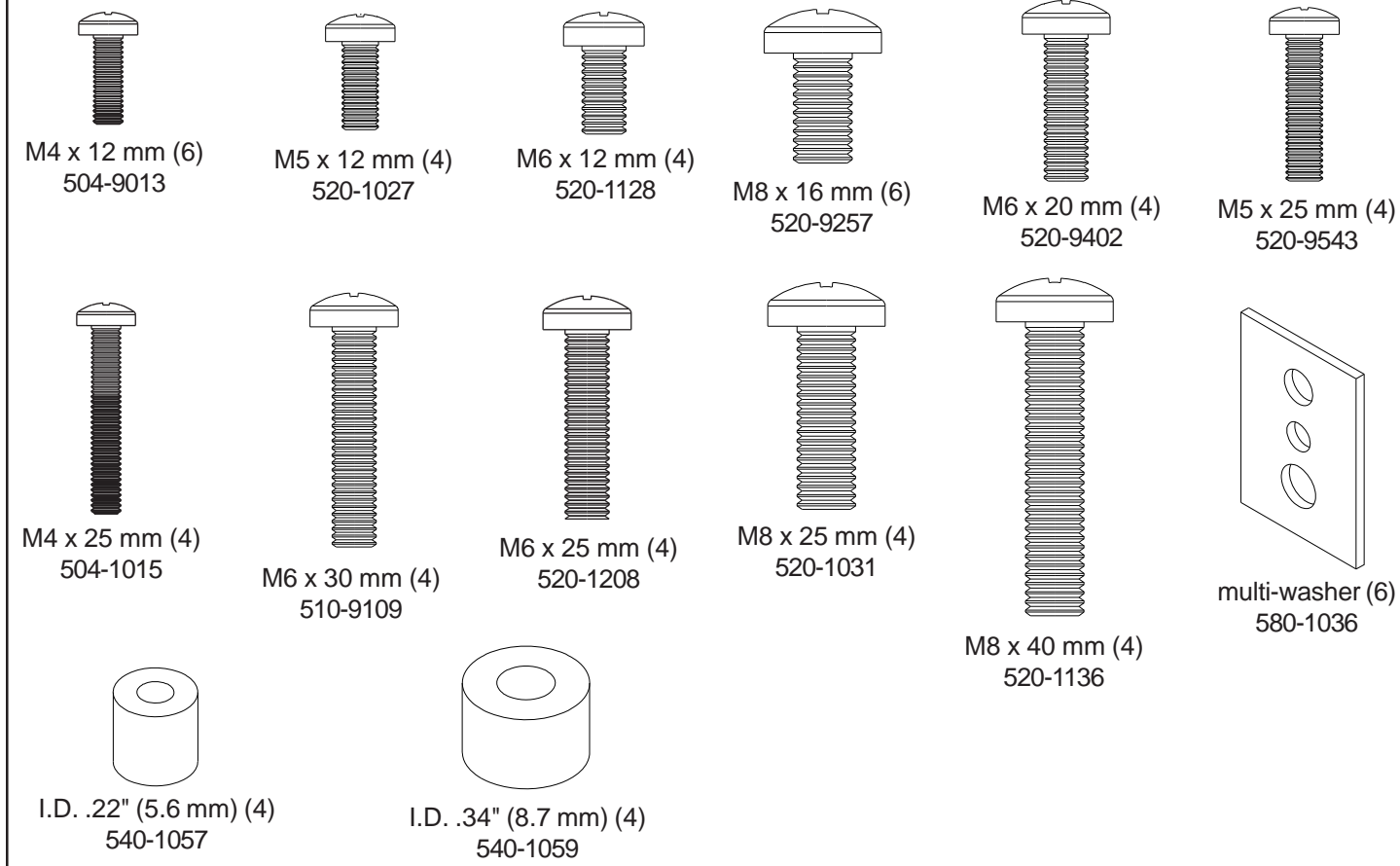
Parts List

Description	Qty.	SS550P Black Part #	SS550P-S Silver Part#
A screen mount bracket	1	201-P1156	201-4156
B hook plate	1	201-P1157	201-4157
C shelf support	2	201-P1158	201-4158
D shelf clamp bracket	2	201-P1159	201-4159
E base	1	201-P1633	201-4633
F universal plate	1	201-P1109	201-4109
G adapter bracket	2	201-P1513	200-4513
H upright	1	580-P1180	580-4180
I glass shelf	2	590-1208	590-1208
J top cover	1	590-1210	590-4210
K button bumper	18	590-1209	590-1209
L 1/4-20 x 12mm decorative screw	18	520-2325	520-1325
M 1/4-20 x 20mm decorative screw	4	520-2326	520-1326
N 1/4-20mm nut	18	530-1022	530-2022
O 5/16" flat washer	14	540-9406	540-9446
P 3/8-16 x 2.5" socket screw	3	520-9550	520-9550
Q 7/32" allen wrench	1	560-9715	560-9715
R 4mm allen wrench	1	560-9646	560-9646
S adhesive felt	1	570-0043	570-0043
T M10 x15mm socket screw	4	520-9262	520-9262
U 6mm allen wrench	1	560-9716	560-9716

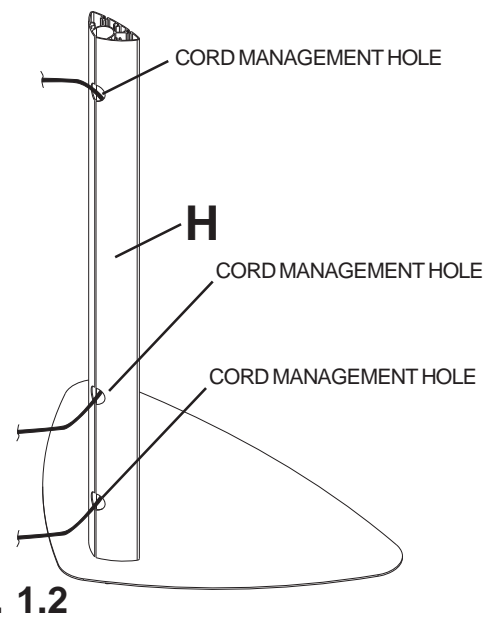
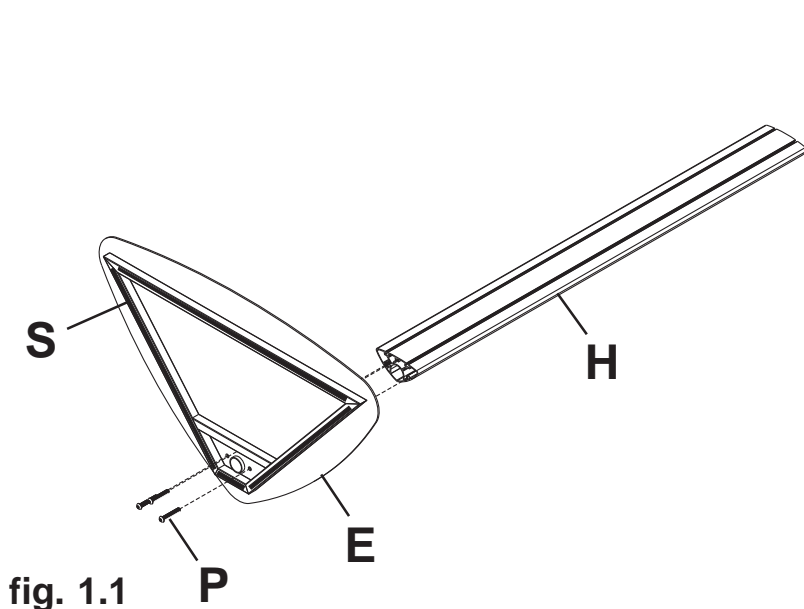


Some parts may appear slightly different than illustrated.

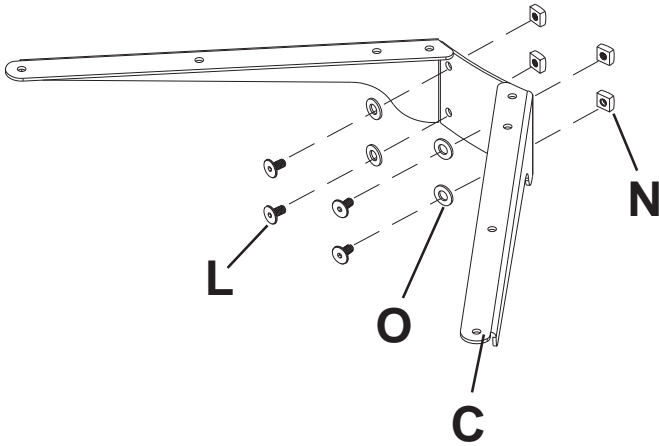
Phillips Adapter Bracket Fasteners



- 1** Cut adhesive felt (**S**) into four pieces as shown in figure 1.1 below and affix to bottom of base (**E**).
- 1-1** Attach upright (**H**) to base (**E**) using three 3/8-16 x 2.5" socket screws (**P**). Tighten screws using 7/32" allen wrench (**Q**).
- 1-2** Run cords through upright (**H**) using cord management holes as shown in figure 1.2.



- 2** Loosely attach four 1/4-20 x 12 mm screws (L), washers (O), and 1/4-20 nuts (N) to shelf support (C).

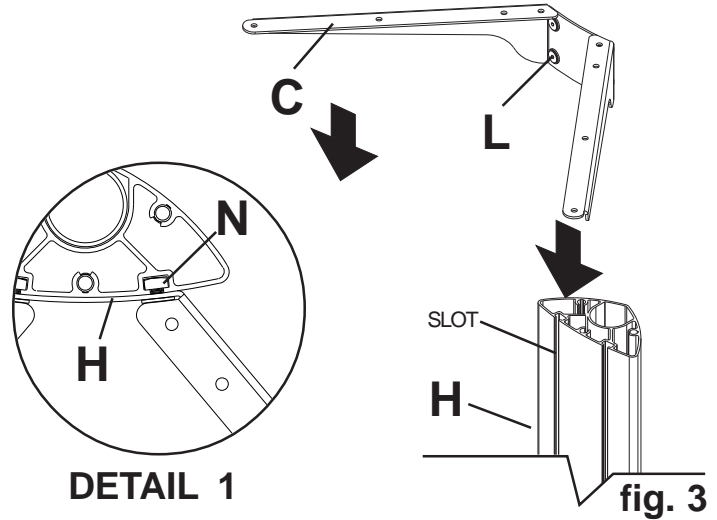


- 3** Slide shelf support (C) onto upright (H) so that 1/4-20 nuts (N) slide into slots of upright (H) as shown in figure 3 and detail 1. Slide shelf support to desired position, level, then tighten 1/4-20 x 12 mm screws (L) using 4 mm allen wrench (R).

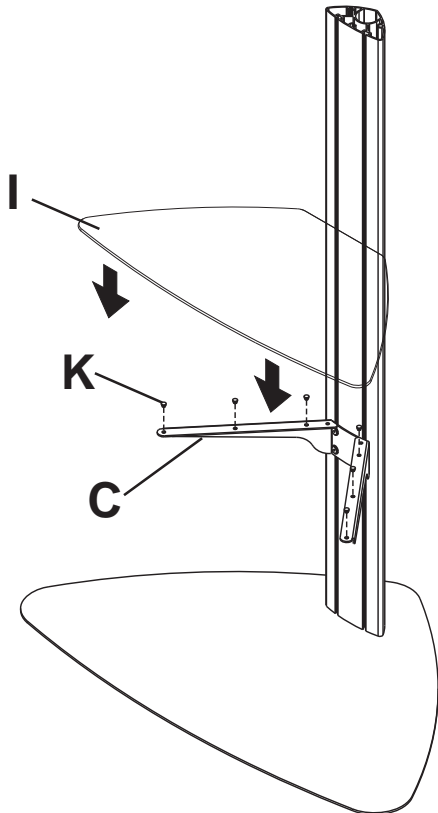
3-1 NOTE: MAXIMUM OF TWO SHELVES

Max height of top shelf is 34" from base.

Max height of second shelf is 28" from base.



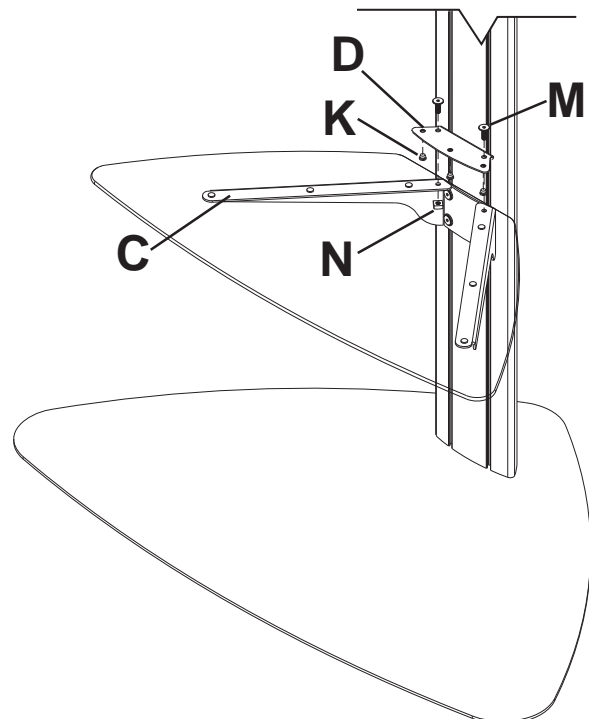
- 4** Insert six button bumpers (K) into shelf support (C). Place glass shelf (I) on shelf support.



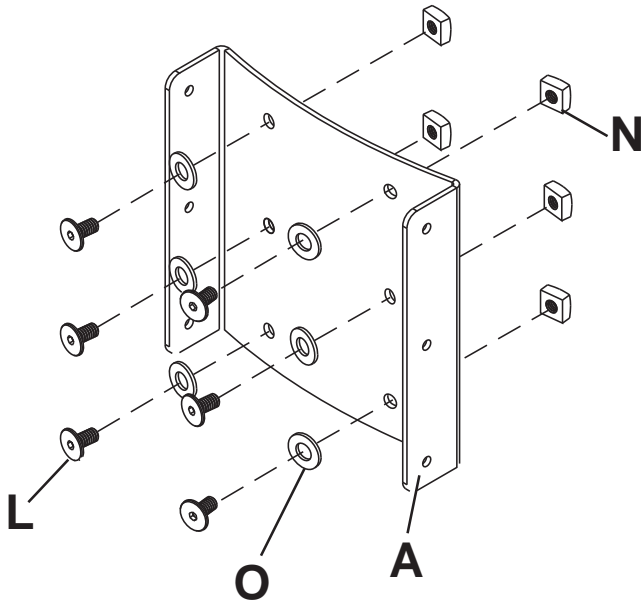
- 5** Insert three button bumpers (K) into bottom of shelf clamp bracket (D).

- 5-1** Attach shelf clamp bracket (D) to shelf support (C) using two 1/4-20 x 20 mm screws (M) and two 1/4-20 nuts (N).

- 5-2** For second shelf installation, repeat steps 2 through 5-1.



- 6 Loosely attach six 1/4-20 x 12 mm screws (L), washers (O), and 1/4-20 nuts (N) to screen mount bracket (A).



- 7 Slide screen mount bracket (A) onto upright (H) so that 1/4-20 nuts (N) slide into slots of upright (H) as shown in figure 7 and detail 2. Slide screen mount bracket to desired position, level, then tighten 1/4-20 x 12 mm screws (L) using 4 mm allen wrench (R).

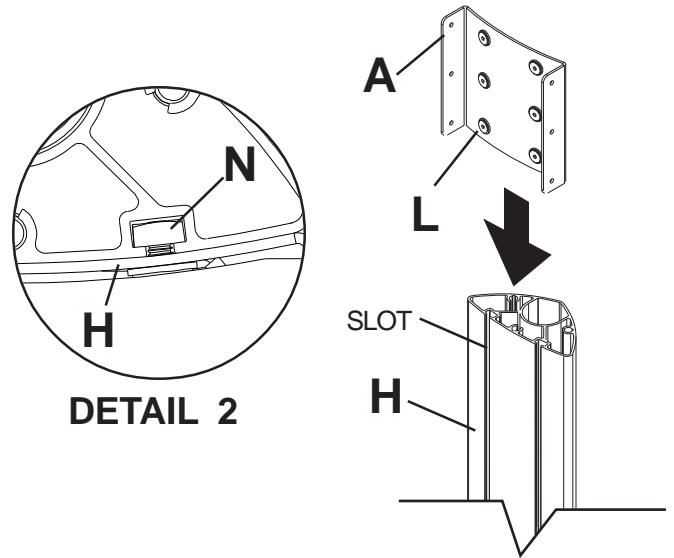
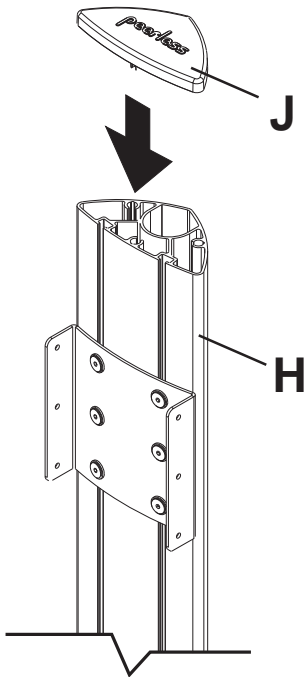


fig. 7

- 8 Snap top cover (J) onto upright (H).



- 9 Insert two 1/4-20 x 12 mm screws (L) into screen mount bracket (A), leaving 1/8" of exposed thread as shown in figure 9 and detail 3.

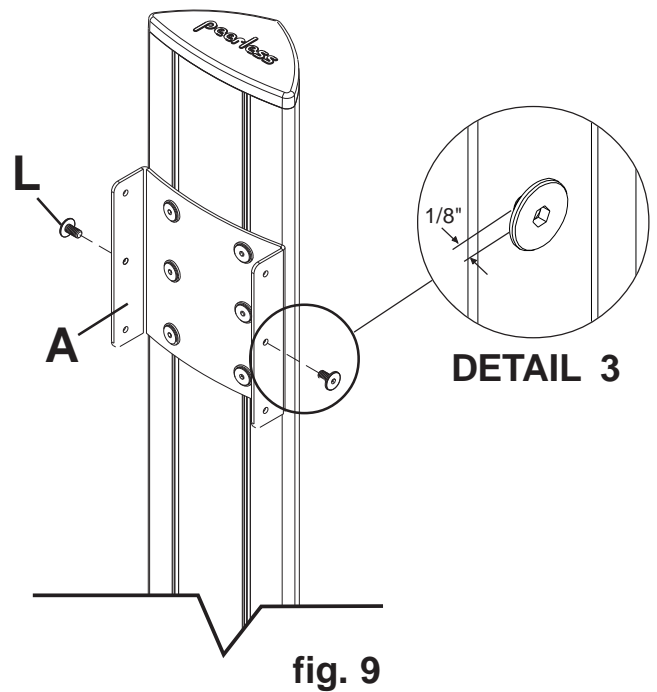
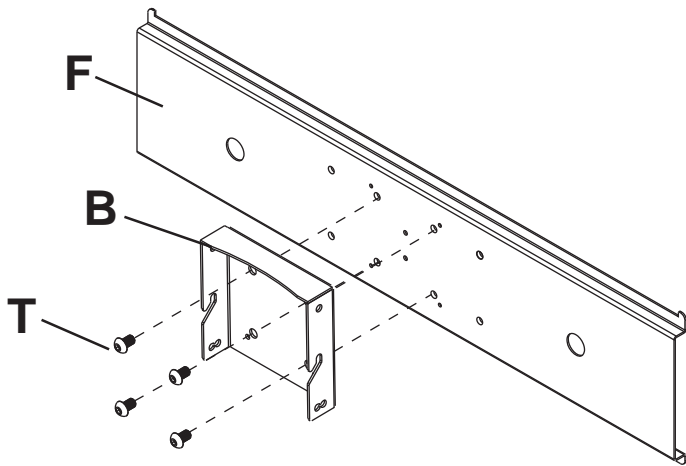


fig. 9

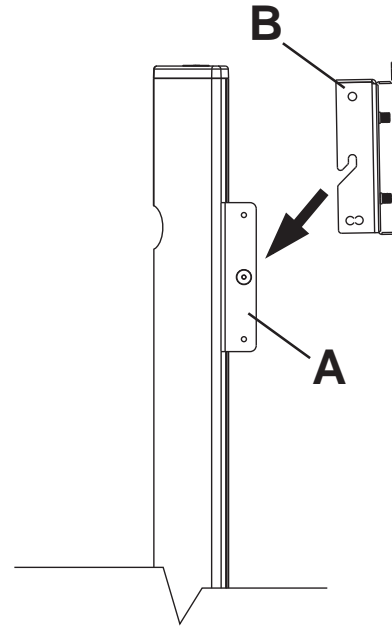
Attaching Screen Using Universal Plate with Adapter Brackets

For attaching screens with VESA 100 hole pattern, skip to page 10.

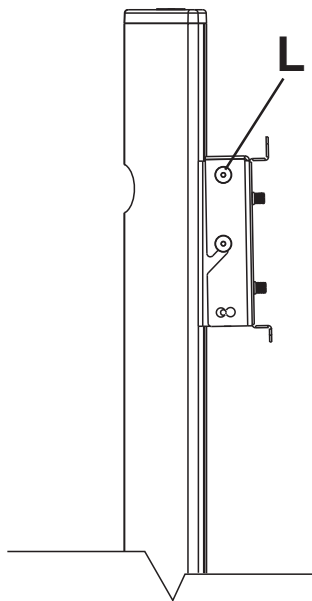
10 Attach universal plate (F) to hook plate (B) using four M10 x 15 mm socket screws (T). Tighten screws using 6 mm allen wrench (U).



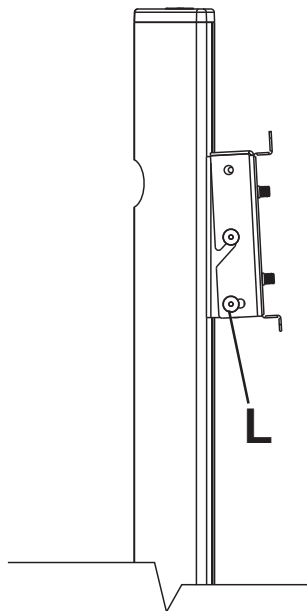
11 Attach hook plate (B) to screen mount bracket (A).



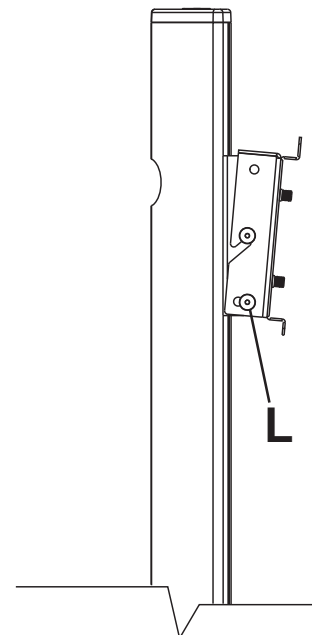
12 Insert two 1/4-20 x 12 mm screws (L) into holes indicated below for desired screen orientation. Tighten all screws using 4 mm allen wrench (R).



No Tilt



2° Backward Tilt



5° Forward Tilt

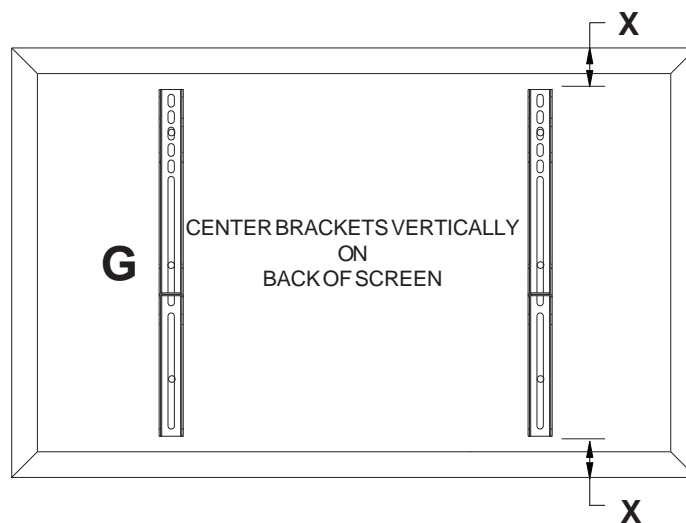
Installing Adapter Brackets

⚠ WARNING

- Tighten screws so adapter brackets are firmly attached. Do not tighten with excessive force. Overtightening can cause stress damage to screws, greatly reducing their holding power and possibly causing screw heads to become detached. Tighten to 40 in. • lb (4.5 N.M.) maximum torque.
- If screws don't get three complete turns in the screen inserts or if screws bottom out and bracket is still not tightly secured, damage may occur to screen or product may fail.

13 To prevent scratching the screen, set a cloth on a flat, level surface that will support the weight of the screen. Place screen face side down. Refer to screen manufacturers instructions or customer service, for removing any knobs, base, cover, or screw(s) on the back of the screen to prepare mounting. These need to be removed to allow the adapter brackets to be attached. Select the small, medium, large or extra large screws from the baffled fastener pack then attach tilt brackets to screen following figure 13.1 or 13.2.

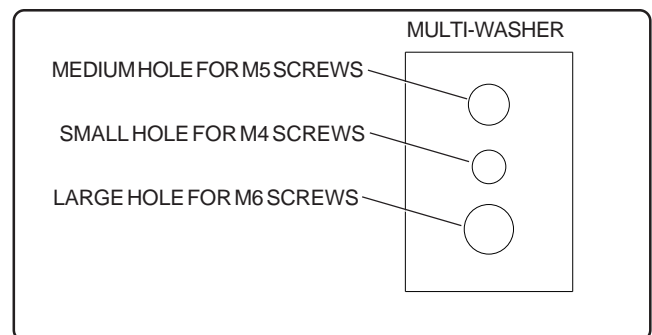
NOTE: Top and bottom mounting holes must be used for attaching brackets. Verify that all holes are properly aligned, and then tighten screws using a phillips screwdriver.



Note: "X" dimensions should be equal.

Notes:

- The number of fasteners used will vary, depending upon the type of screen.
- Multi-washers and spacers may not be used, depending upon the type of screen.
- Use the corresponding hole in the multi-washer that matches your screw size as shown.



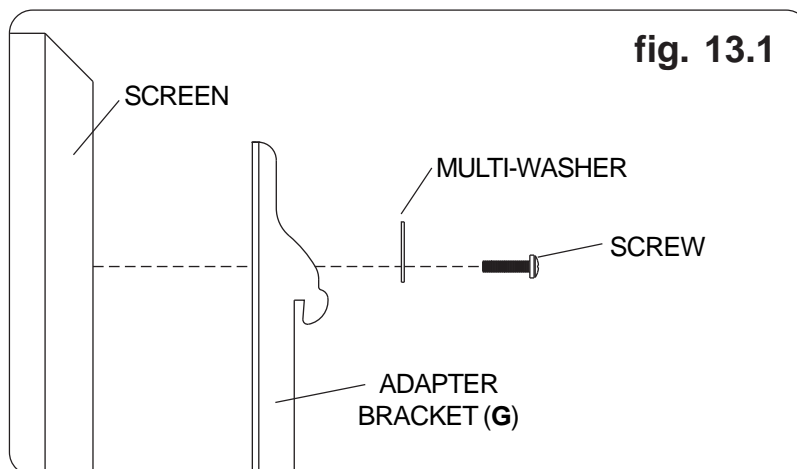
NOTE: For **flat back screens** proceed to step 13-1. For **bump-out or recessed back screen** skip to step 13-2.

For Flat Back Screen

13-1 Refer to **Screen Compatibility Chart** to determine the proper fastener to use. Visit www.peerlessmounts.com/2 for a full screen compatibility chart for this mount.

Begin with the shortest length screw, hand thread through multi-washer and adapter bracket into screen as shown below. Screw must make at least three full turns into the mounting hole and fit snug into place. Do not over tighten. If screw cannot make three full turns into the screen, select a longer length screw from the baffled fastener pack. Repeat for remaining mounting holes, level brackets and tighten screws.

NOTE: Spacers may not be used, depending upon the type of screen.

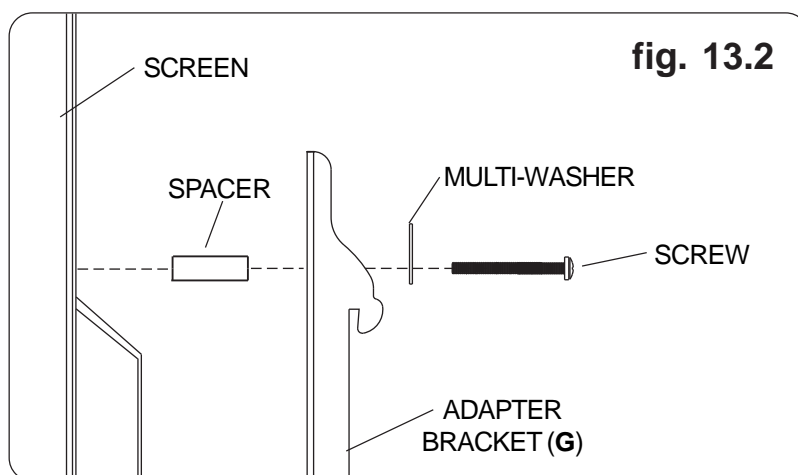


If you have any questions, please call Peerless customer care at **1-800-865-2112**.

For Bump-out or Recessed Back Screen

13-2 Refer to **Screen Compatibility Chart** to determine the proper fastener to use. Visit www.peerlessmounts.com/2 for a full screen compatibility chart for this mount.

Begin with longer length screw, hand thread through multi-washer, adapter bracket and spacer in that order into screen as shown below. Screw must make at least three full turns into the mounting hole and fit snug into place. Do not over tighten. If screw cannot make three full turns into the screen, select a longer length screw from the baffled fastener pack. Repeat for remaining mounting holes, level brackets and tighten screws.



If you have any questions, please call Peerless customer care at **1-800-865-2112**.

Mounting and Removing Flat Panel Screen

⚠ WARNING

- Always use an assistant or mechanical lifting equipment to safely lift and position the plasma television.

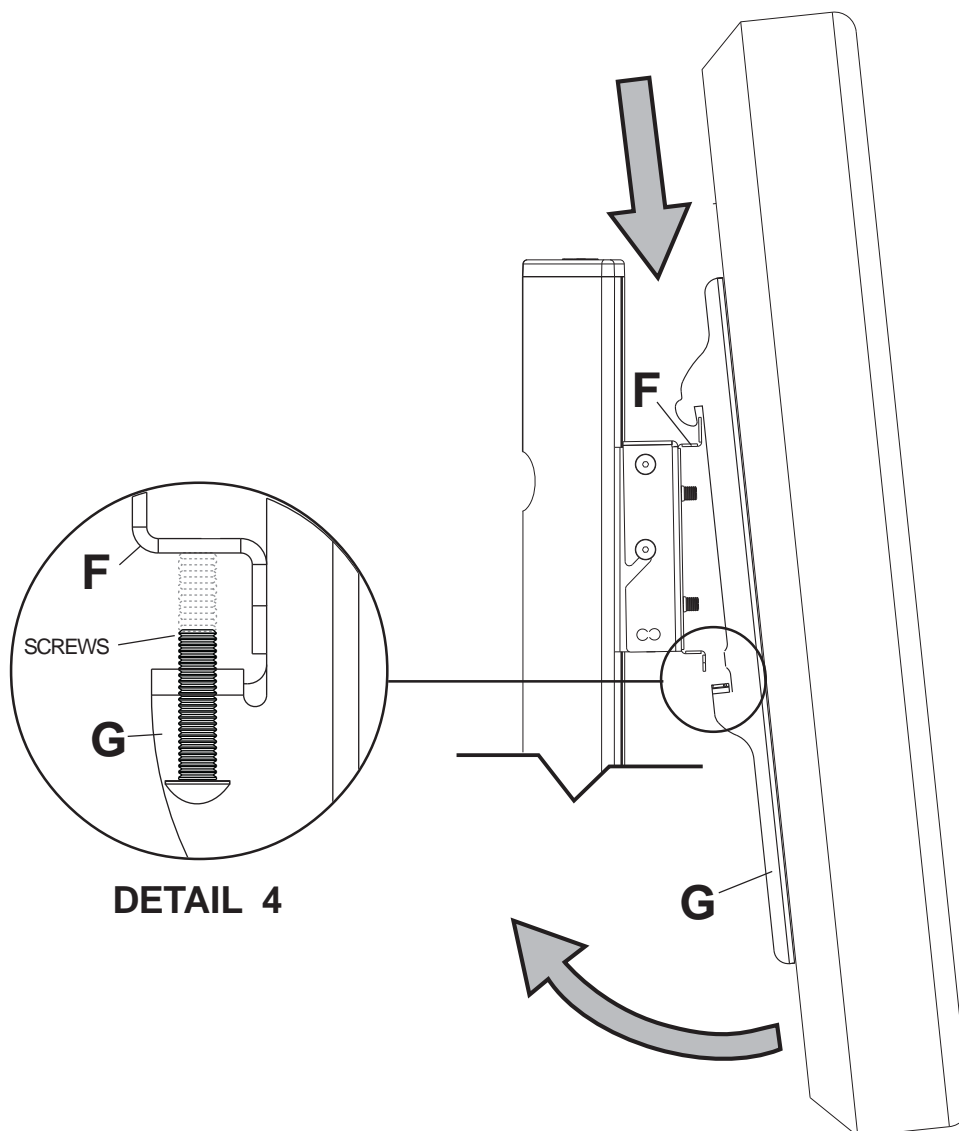
14 Hook adapter brackets (**G**) onto universal plate (**F**), then slowly swing screen in as shown. Turn screws clockwise at least six times to prevent screen from being removed as shown in detail 4.

Note: Tighten using 4 mm allen wrench (**R**).

Screen can be adjusted horizontally if desired.

Note: It is important to lock screen down! To lock the screen down, tighten screws to adapter bracket as shown in detail 4.

To remove screen from mount, loosen screws, swing screen away from mount, and lift screen off of mount.

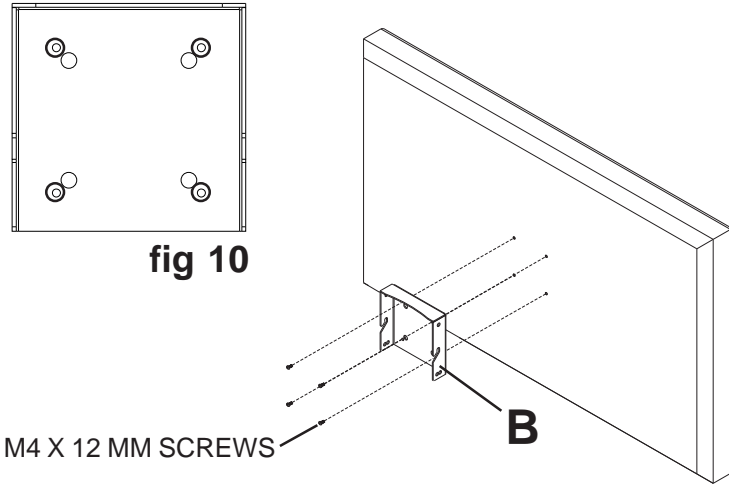


Attaching Screen with VESA 100 Mounting Pattern

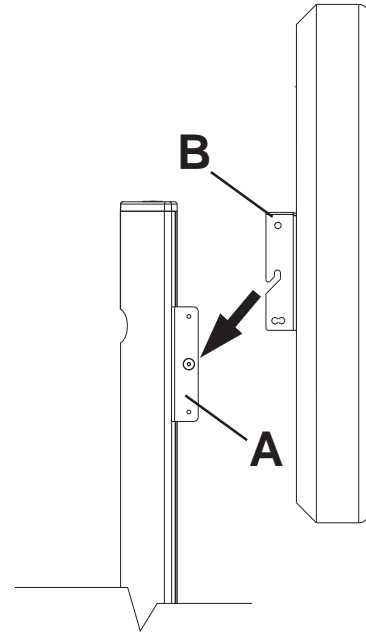
⚠ WARNING

- If screws don't get three complete turns in the screen inserts or if screws bottom out and hook plate is still not tightly secured, damage may occur to screen or product may fail.

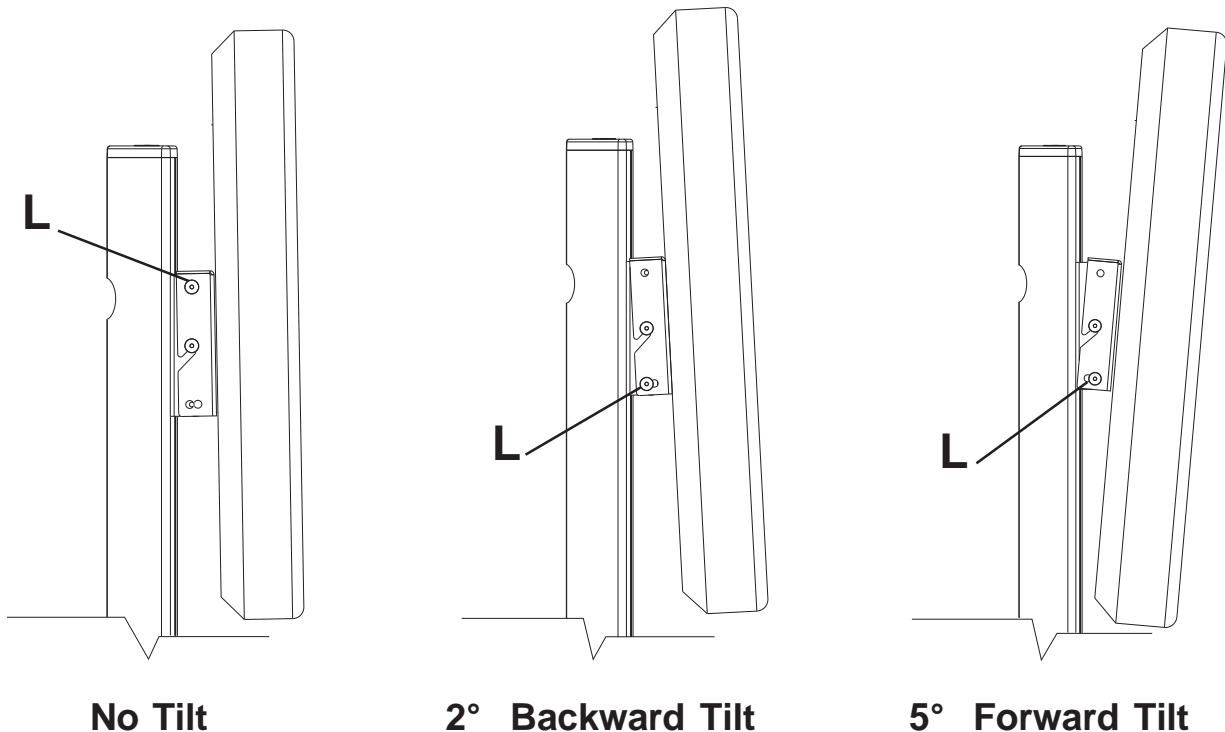
10 Choose hole pattern as shown in figure 10. Attach hook plate (**B**) to back of screen using four M4 x 12 mm screws. Tighten screws using a phillips screwdriver.



11 Attach hook plate (**B**) to screen mount bracket (**A**).



12 Insert two 1/4-20 x 12 mm screws (**L**) into holes indicated below for desired screen orientation. Tighten all screws using 4 mm allen wrench (**R**).



Free Manuals Download Website

<http://myh66.com>

<http://usermanuals.us>

<http://www.somanuals.com>

<http://www.4manuals.cc>

<http://www.manual-lib.com>

<http://www.404manual.com>

<http://www.luxmanual.com>

<http://aubethermostatmanual.com>

Golf course search by state

<http://golfingnear.com>

Email search by domain

<http://emailbydomain.com>

Auto manuals search

<http://auto.somanuals.com>

TV manuals search

<http://tv.somanuals.com>