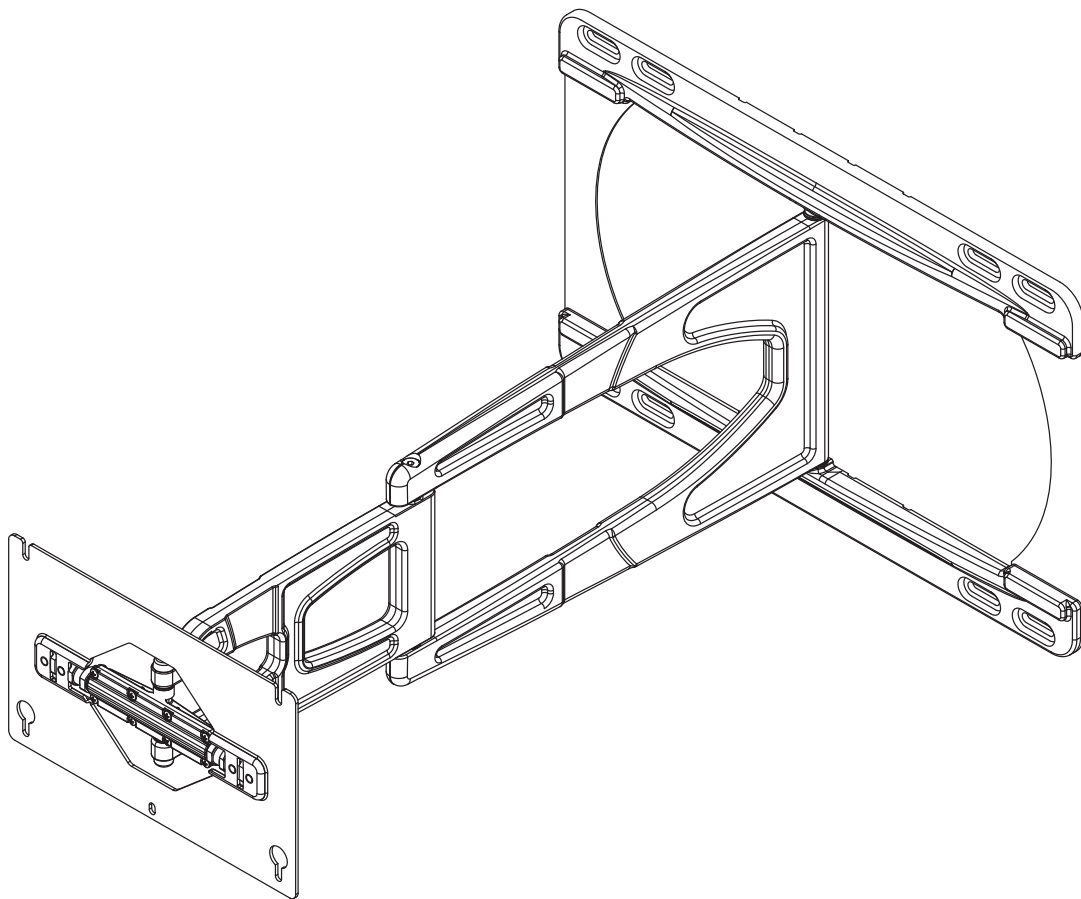




Installation and Assembly: Peerless Ultra-Slim Articulating Mount for Samsung 46" and 55" C9000 LED displays

Models: SUAC9000



Max UL Load Capacity: 75 lb (34 kg)

NOTE: Read entire instruction sheet before you start installation and assembly.

⚠ WARNING

- Do not begin to install your Peerless product until you have read and understood the instructions and warnings contained in this Installation Sheet. If you have any questions regarding any of the instructions or warnings, for US customers please call Peerless customer care at 1-800-865-2112, for all international customers, please contact your local distributor.
- This product should only be installed by someone of good mechanical aptitude, has experience with basic building construction, and fully understands these instructions.
- Make sure that the supporting surface will safely support the combined load of the equipment and all attached hardware and components.
- Never exceed the Maximum UL Load Capacity. See page one.
- If mounting to wood wall studs, make sure that mounting screws are anchored into the center of the studs. Use of an "edge to edge" stud finder is highly recommended.
- Always use an assistant or mechanical lifting equipment to safely lift and position equipment.
- Tighten screws firmly, but do not overtighten. Overtightening can damage the items, greatly reducing their holding power.
- This product is intended for indoor use only. Use of this product outdoors could lead to product failure and personal injury.
- This product was designed to be installed on the following wall construction only;

WALL CONSTRUCTION

HARDWARE REQUIRED

- | | |
|--------------------|--|
| • Wood Stud | Included |
| • Wood Beam | Included |
| • Solid Concrete | Included |
| • Cinder Block | Included |
| • Brick | Contact Qualified Professional (Not evaluated by UL) |
| • Other or unsure? | Contact Qualified Professional (Not evaluated by UL) |

Tools Needed for Assembly

- stud finder ("edge to edge" stud finder is recommended)
- phillips screwdriver
- drill
- 5/16" (8 mm) bit for concrete and cinder block wall
- 5/32" (4 mm) bit for wood stud wall
- level

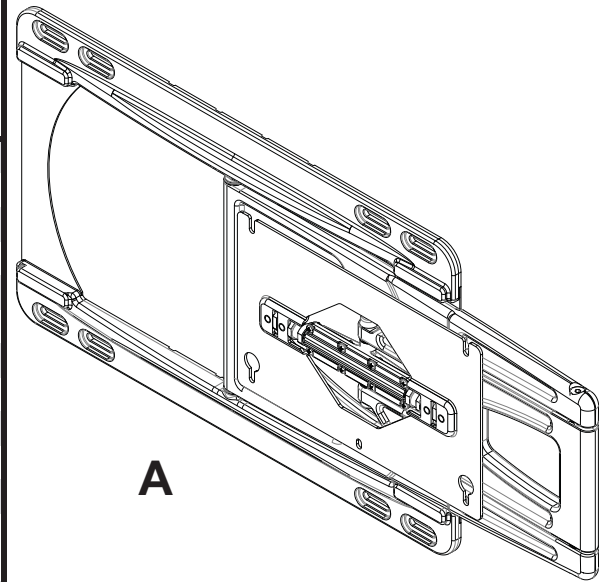
Table of Contents

Parts List.....	3
Wall installation.....	4, 5
Installing Adapter plates to screen.....	6
Mounting Flat Panel Screen	8

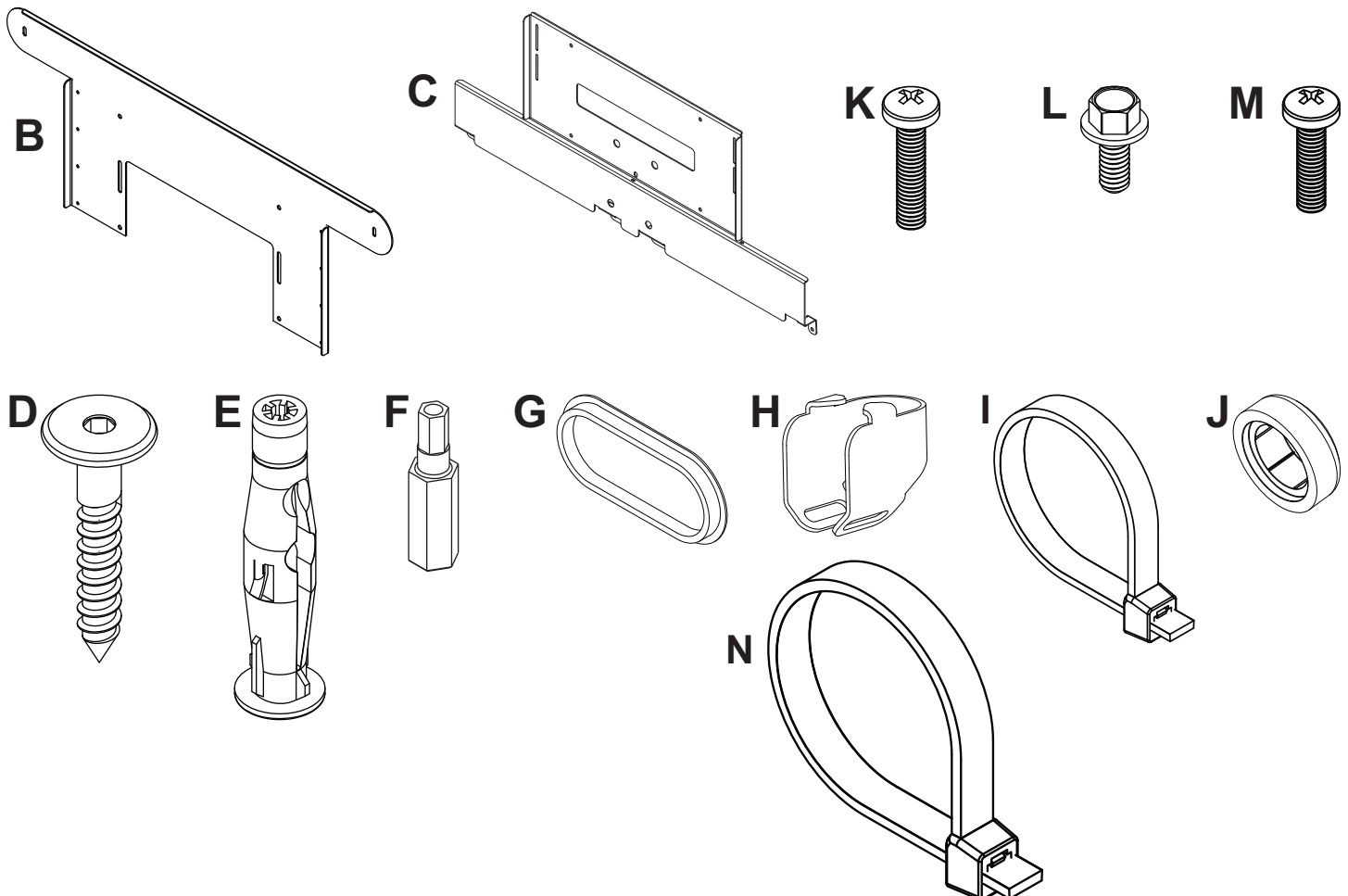
Before you begin, make sure all parts shown are included with your product.

Parts List

Description	Qty.	Part #
A wall arm assembly	1	046-4176
B upper mounting plate	1	046-4179
C lower mounting plate	1	046-4180
D wood screw	4	500-1090
E concrete anchor	4	590-0320
F security driver	1	560-1133
G fastener cap	8	046-4096
H cable clip	1	046-4137
I short cable tie	3	560-2004
J snap caps	4	560-2029
K 10-32 x 1/2" thread forming screw	4	520-2627
L 1/4-20 x 1/2" hex head thread forming screw	4	520-2592
M M4 x 16 mm phillips screw	4	520-2088
N long cable tie	2	590-2168



Parts may appear slightly different than illustrated.



Installation to Wood Stud Wall

⚠ WARNING

- Installer must verify that the supporting surface will safely support the combined load of the equipment and all attached hardware and components.
- Tighten wood screws so that wall plate is firmly attached, but do not overtighten. Overtightening can damage the screws, greatly reducing their holding power.
- Never tighten in excess of 80 in. • lb (9 N.M.).
- Make sure that mounting screws are anchored into the center of the stud. The use of an "edge to edge" stud finder is highly recommended.
- Hardware provided is for attachment of mount through standard thickness drywall or plaster into wood studs. Installers are responsible to provide hardware for other types of mounting situations (not evaluated by UL).

1 Use a stud finder to locate the edges of the studs. Use of an edge-to-edge stud finder is highly recommended. Based on their edges, draw a vertical line down each stud's center. Center of screen mounting plate will be 2.5" offset from center of outer mounting slot as shown in figure 1.1 or will be 0.19" offset from center of inner mounting slot as shown in figure 1.2. Place wall arm (A) on wall as template, level, and mark the center of four mounting holes. Top mounting slot will be X" above the screen center as shown in figure 1.1 and chart 1.

Drill four 5/32" dia. holes to a minimum depth of 2.5". Secure wall arm (A) to wall with four wood screws (D) as shown in figure 1.2. **NOTE:** Be sure arrow is pointing up when mounting wall arm (A) to wall as shown in figure 1.1. Level, then tighten all fasteners.

Insert eight fastener caps (G) into wall plate mounting holes.

fig. 1.1

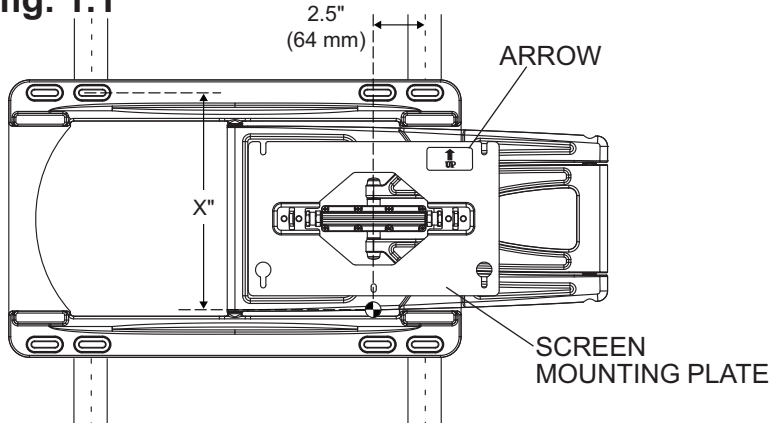


fig. 1.2

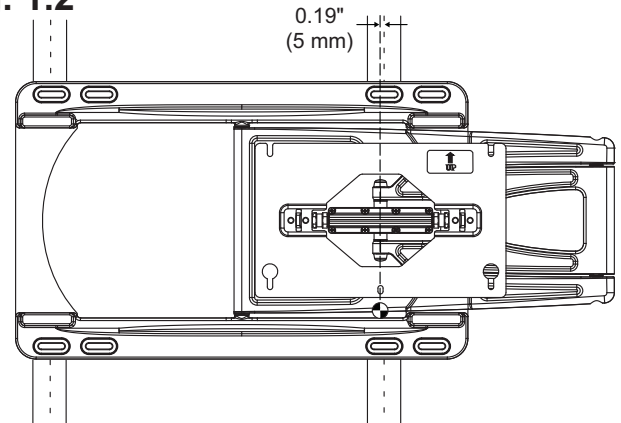
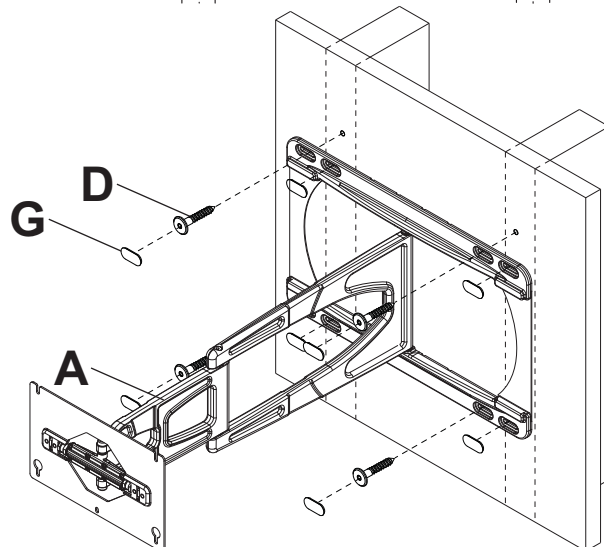


Chart 1

for 46" display	10.7" (272mm)
for 55" display	9.1" (231mm)

⊕ = CENTER OF SCREEN



Installation to Solid Concrete or Cinder Block

⚠ WARNING

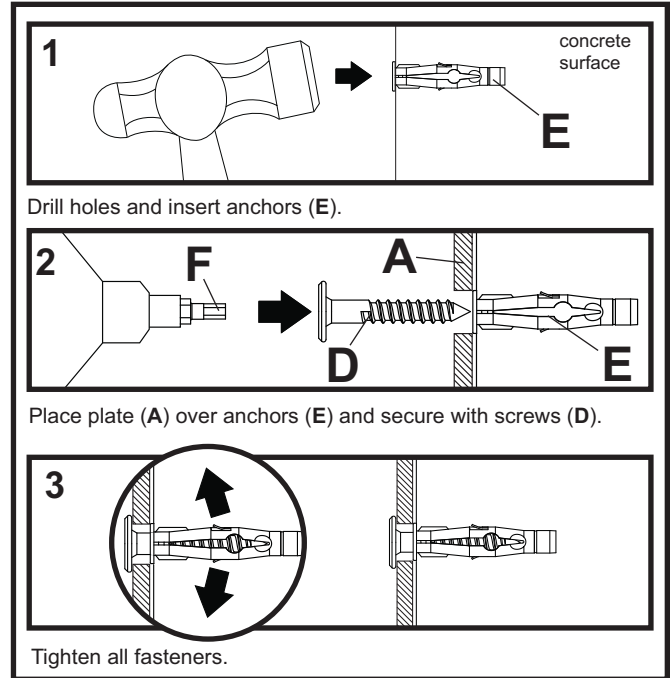
- When installing Peerless wall mounts on cinder block, verify that you have a minimum of 1-3/8" (35 mm) of actual concrete thickness in the hole to be used for the concrete anchors. Do not drill into mortar joints! Be sure to mount in a solid part of the block, generally 1" (25 mm) minimum from the side of the block. Cinder block must meet ASTM C-90 specifications. It is suggested that a standard electric drill on slow setting is used to drill the hole instead of a hammer drill to avoid breaking out the back of the hole when entering a void or cavity.
- Concrete must be 2000 psi density minimum. Lighter density concrete may not hold concrete anchor.
- Installer must verify that the supporting surface will safely support the combined load of the equipment and all attached hardware and components.

1

NOTE: Wall arm assembly (A) must be mounted to wall using inner mounting holes.

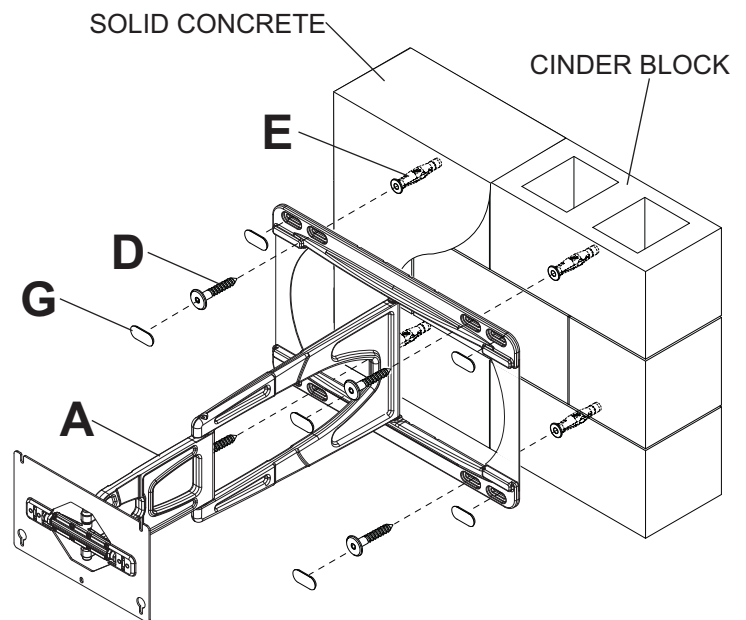
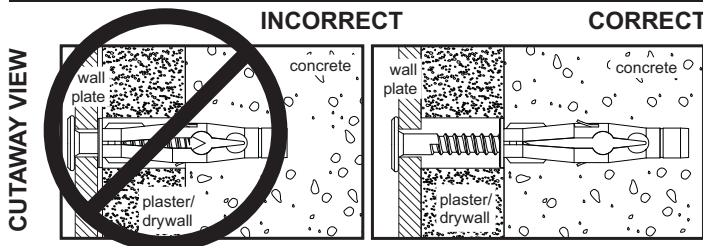
Make sure that wall arm assembly is level and use wall plate as a template to mark four mounting holes. Top mounting slot will be X" above the screen center as shown in figure 1.1 and chart 1 on page 4. Drill four 5/16" (8 mm) dia. holes to a minimum depth of 2.5" (64 mm). Insert anchors (E) in holes flush with wall as shown. Place wall arm assembly over anchors and secure with wood screws (D). Level, then tighten all fasteners. Insert eight fastener caps (G) into mounting holes.

NOTE: Be sure arrow of label is pointing up when mounting wall arm assembly (A) to wall as shown in figure 1.1.



⚠ WARNING

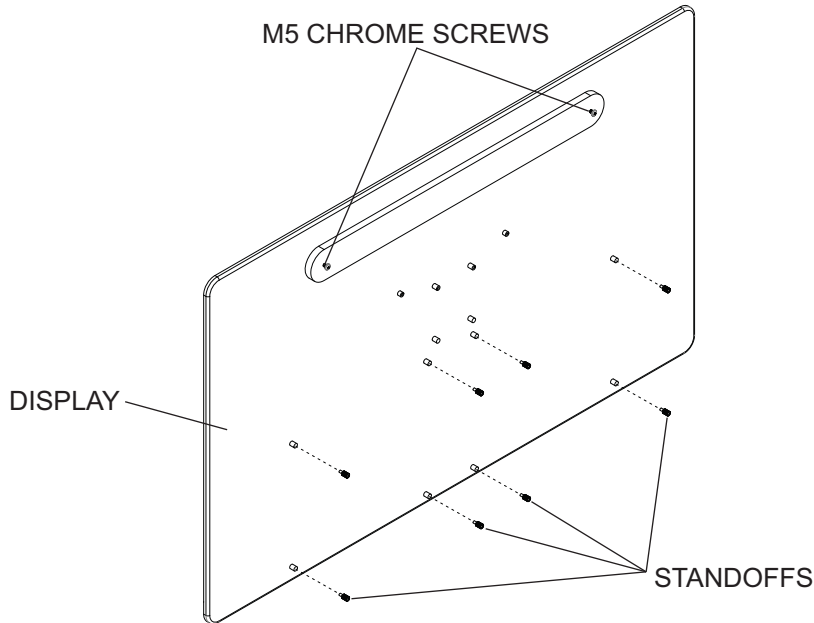
- Tighten screws so that wall plate is firmly attached, but do not overtighten. Overtightening can damage screws, greatly reducing their holding power.
- Never tighten in excess of 80 in. • lb (9 N.M.).
- Always attach concrete anchors directly to load-bearing concrete.
- Never attach concrete anchors to concrete covered with plaster, drywall, or other finishing material. If mounting to concrete surfaces covered with a finishing surface is unavoidable (not evaluated by UL), the finishing surface must be counterbored as shown below. Be sure concrete anchors do not pull away from concrete when tightening screws. If plaster/drywall is thicker than 5/8" (16 mm), custom fasteners must be supplied by installer (not evaluated by UL).



⚠ WARNING

- Be sure to carry display upright, from the top and bottom edges, or damage to display may occur.

- 2** Follow instruction manual included with display to remove display from stand.
- Set display on a flat, level surface. Refer to display manufacturer's installation guide for recommended careful handling. Remove two M4 chrome plated screws from Ultra-Slim wall mount bar. Save all screws. Install eight standoff screws (included with display) into eight mounting holes on bottom of display.



⚠ WARNING

- Do not assemble mounting plates (B,C) on top of display or damage to display may occur.

- 3** Assemble upper mounting plate (B) to lower mounting plate (C) using four 10-32 x 1/2" thread forming screws (K). Use configuration as shown in figures 3.1 and 3.2. Do not tighten screws (K).

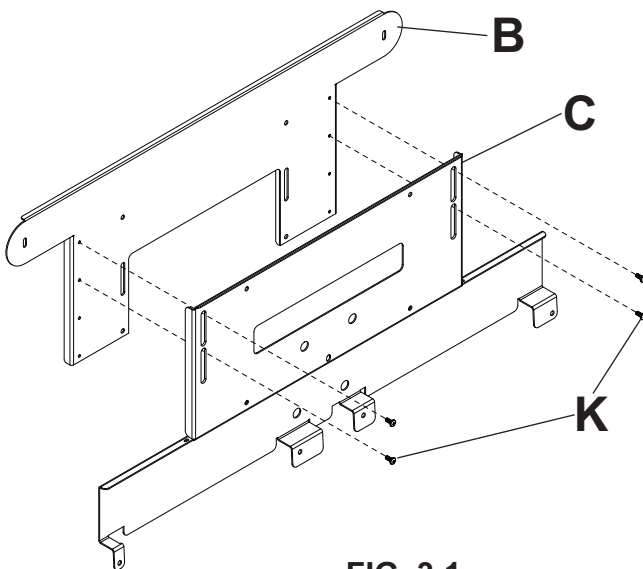


FIG. 3.1
FOR 46" DISPLAYS

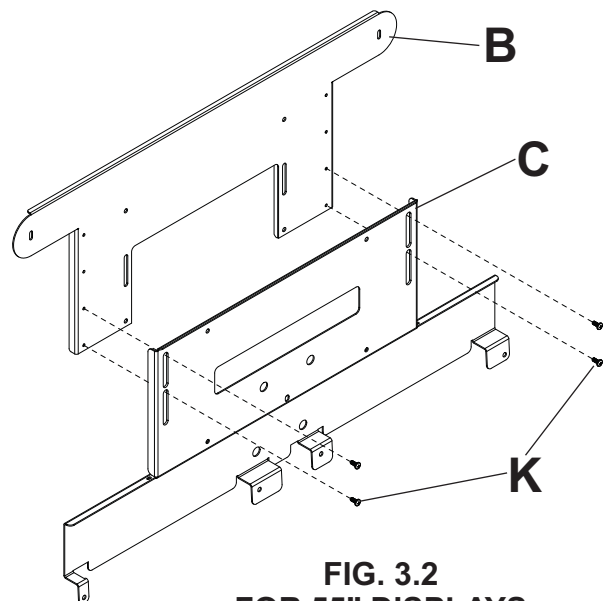
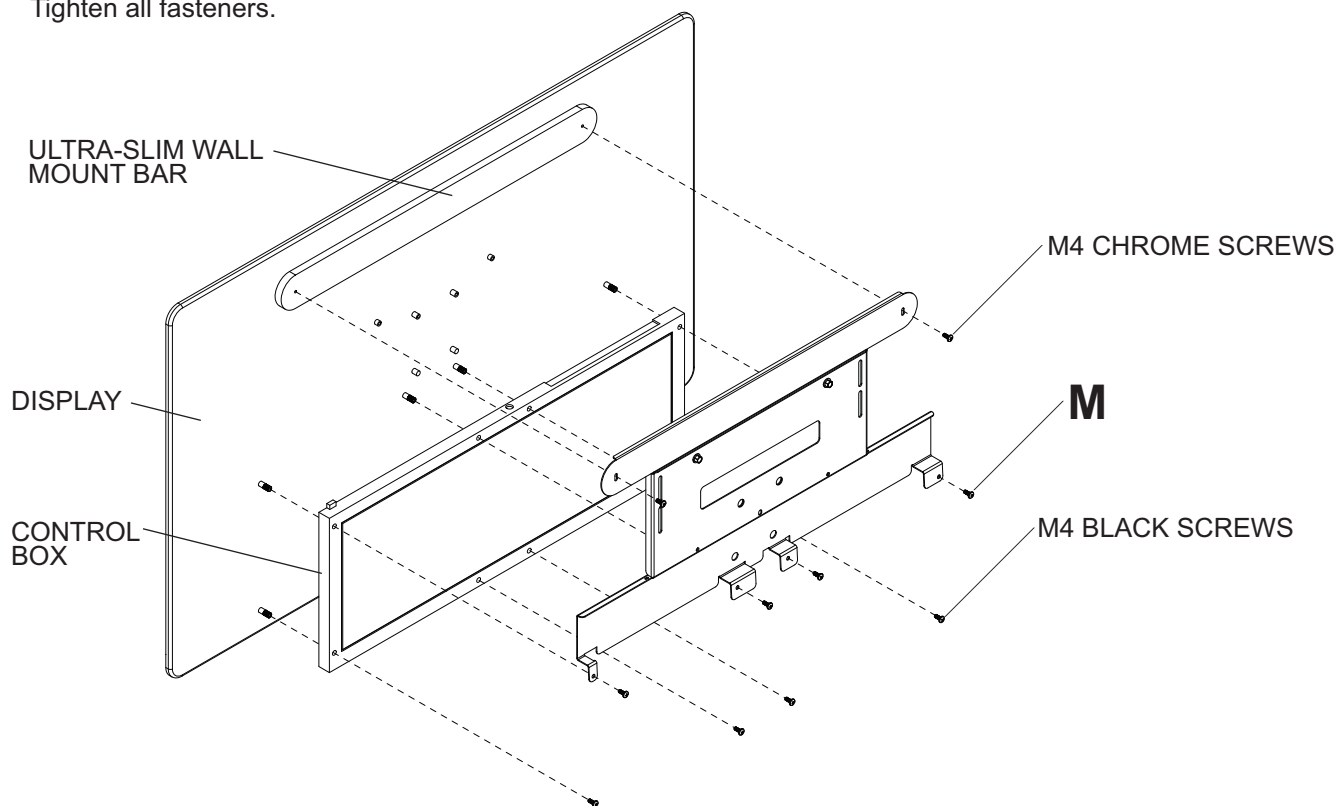


FIG. 3.2
FOR 55" DISPLAYS

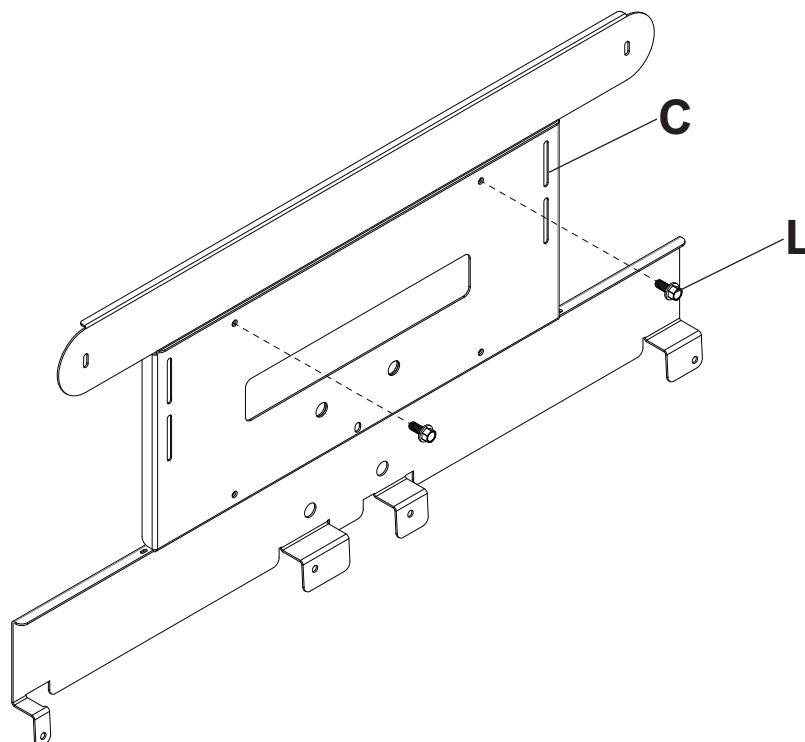
4 Set control box into lower mount plate (**C**) and place assembly onto back of display. Adjust upper and lower mounting plates (**B,C**) to align top mounting holes with ultra-slim wall mount bar.

Secure assembly to back of display by reinstalling two M4 chrome plated screws (included with display) into ultra-slim wall mount bar, four M4 black phillips screws (included with display) into lower mounting holes of control box, and four M4 x 16 mm phillips screws (**M**) into upper mounting holes of control box.

Tighten all fasteners.



5 Install two 1/4-20 x 1/2" thread forming screws (**L**) into lower mounting plate (**C**) leaving 1/8" exposed thread as shown below.



Mounting Flat Panel Screen

⚠ WARNING

- Tighten screws so screen brackets are firmly attached to screen. Do not tighten with excessive force. Overtightening can cause stress damage to screws, greatly reducing their holding power and possibly causing screw heads to become detached. Tighten to 40 in. • lb (4.5 N.M.) maximum torque.

- 6** Hook two 1/4-20 x 1/2" thread forming screws (L) onto top slots of front plate as shown in figure 6.1.
Fasten two 1/4-20 x 1/2" thread forming screws (L) into bottom mounting holes as shown in figure 6.2.
Tighten all screws.

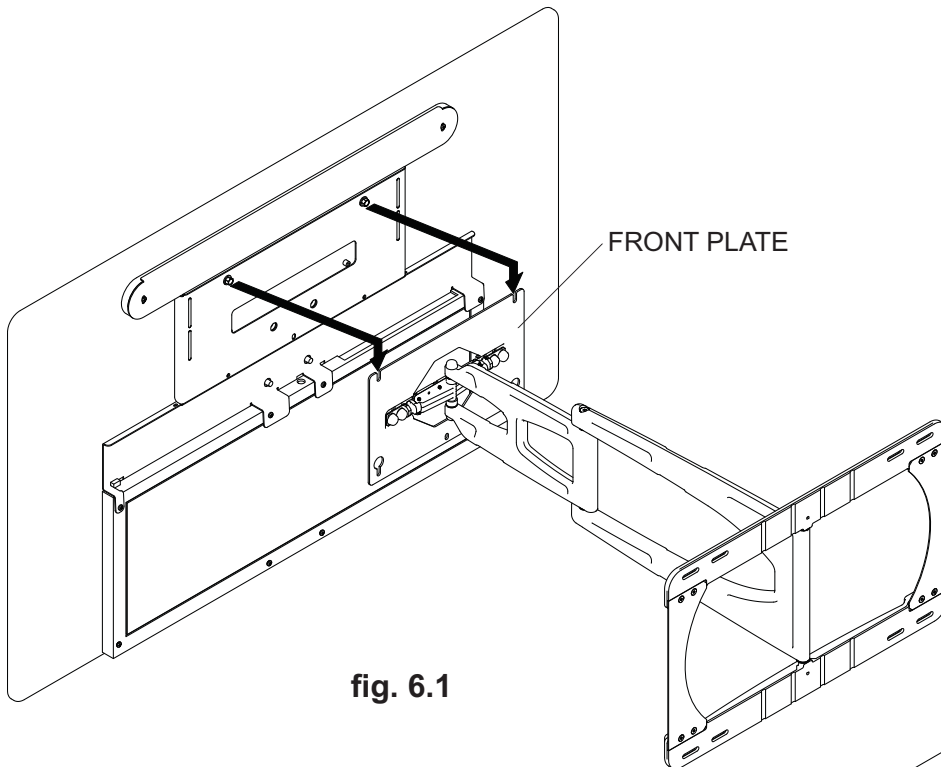


fig. 6.1

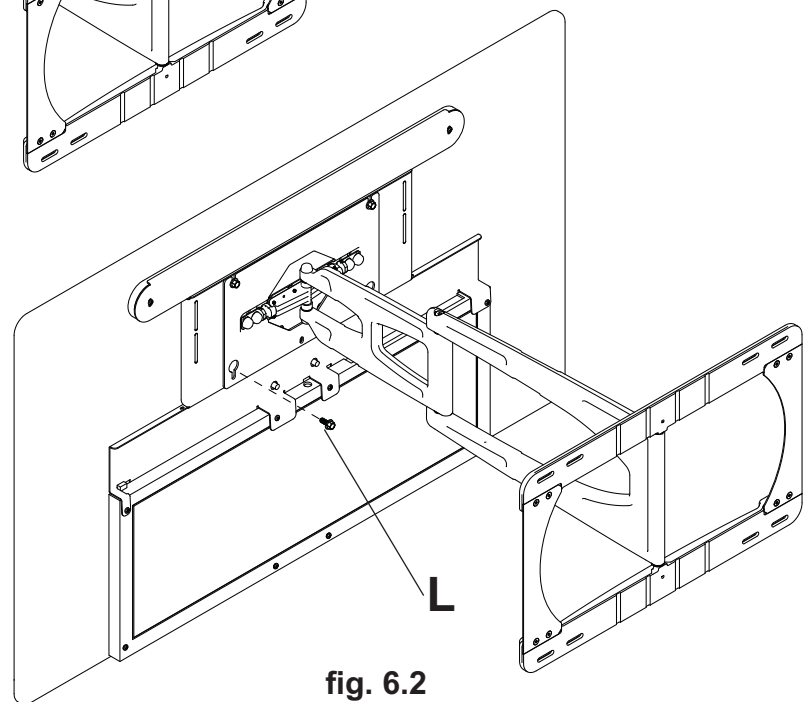


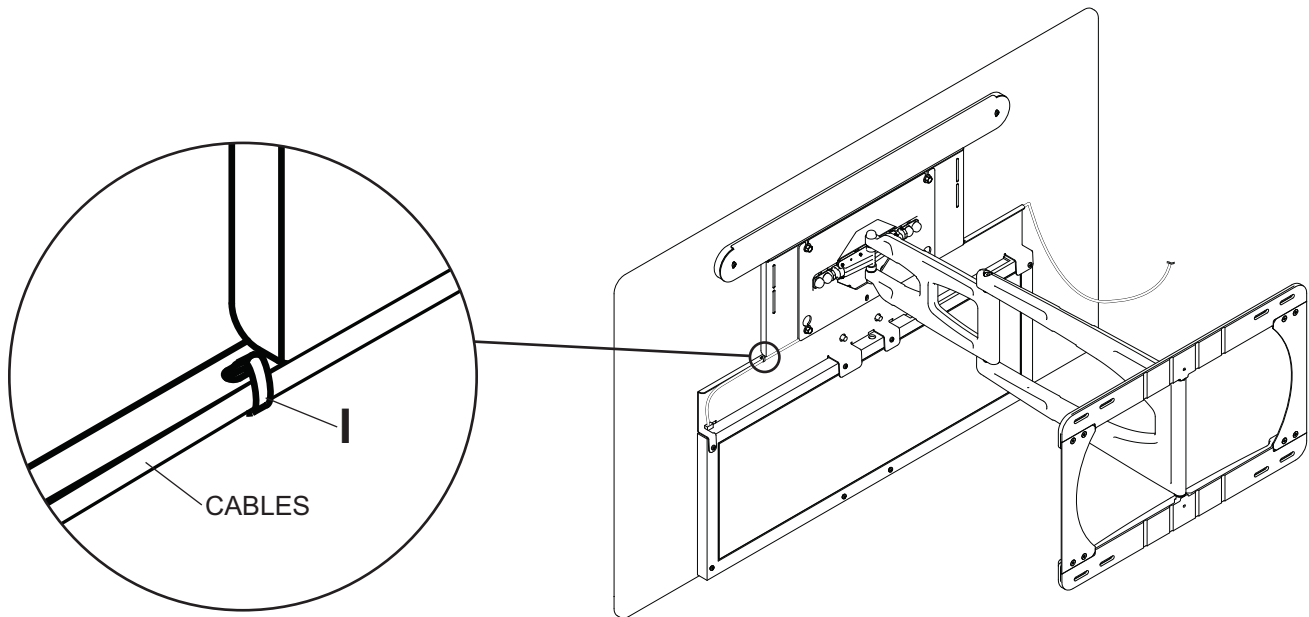
fig. 6.2

Cable Management

7

Cables may be routed using short cable ties (**I**).

Use holes on bottom of lower mounting plate (**C**) with cable ties (**I**) to secure cables as shown below.



Cables may be routed using cable clip (**H**).

Slip cable clip (**H**) onto bottom of center joint as shown in figure 7.1 and secure cables to cable clip using long cable tie (**N**) as shown in figure 7.2.

Secure cables to bottom of wall plate using cable tie (**N**) as shown below.

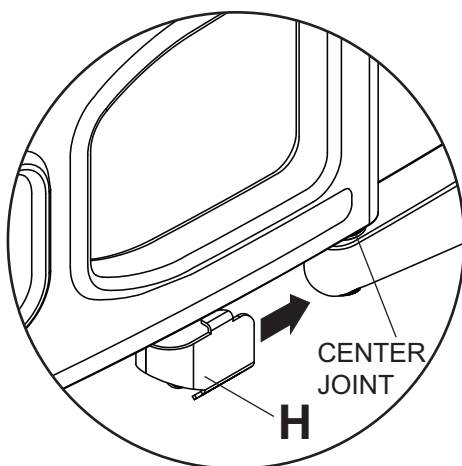


fig. 7.1

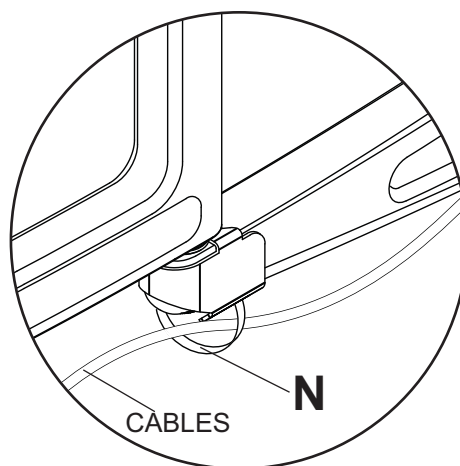
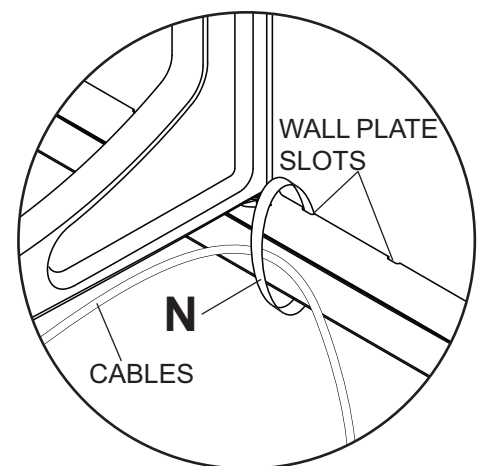


fig. 7.2

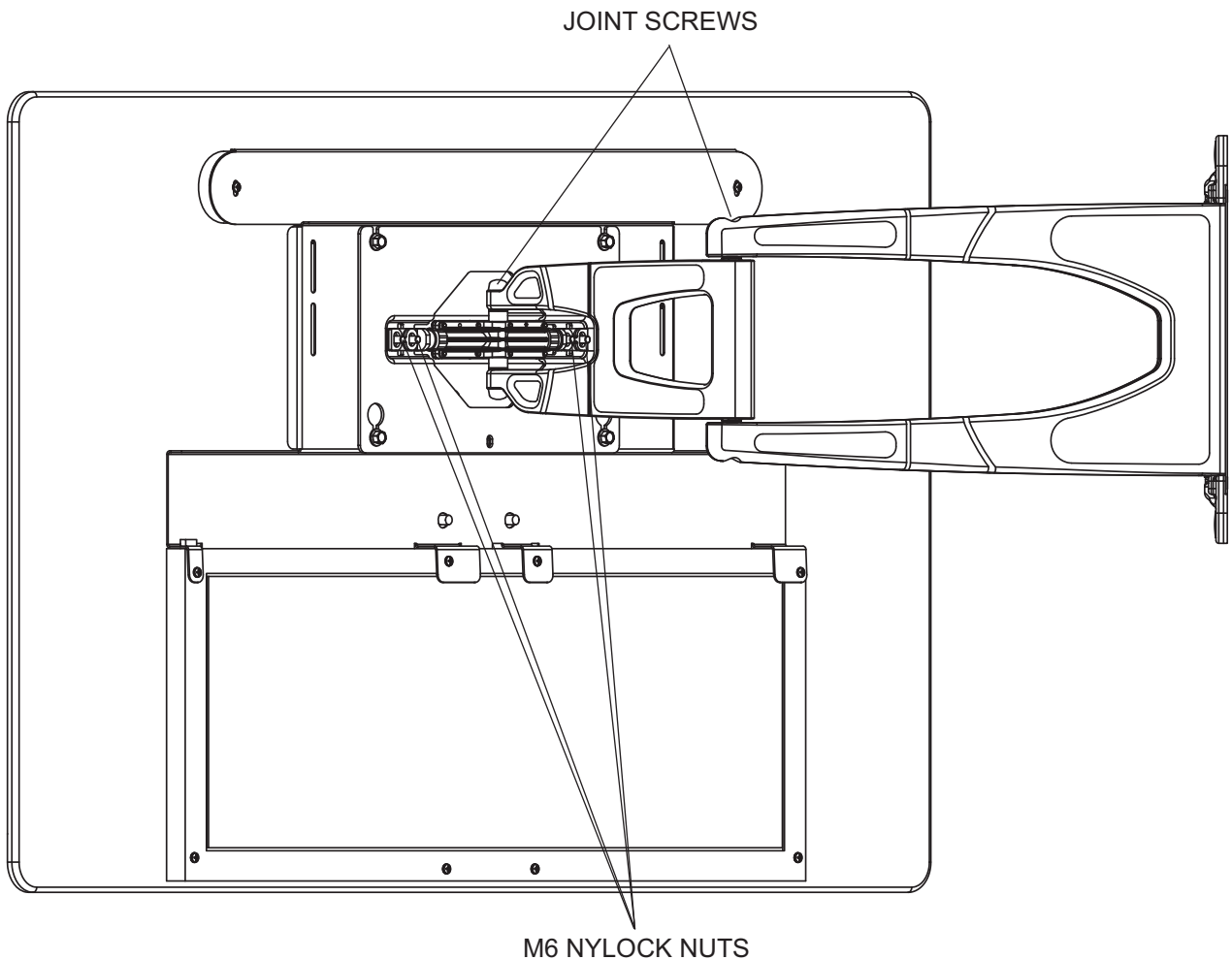


Roll Adjustment

- 8** Adapter plate may be rolled +/- 5°.
- Loosen four M6 nylock nuts half a turn, grasp edges of display and roll screen to desired position as shown. Retighten four M6 nylock nuts and place four snap caps (J) onto M6 nylock nuts.

CAUTION

- Do not tighten joint screws. Doing so may cause damage to screws, greatly reducing its holding power.



Free Manuals Download Website

<http://myh66.com>

<http://usermanuals.us>

<http://www.somanuals.com>

<http://www.4manuals.cc>

<http://www.manual-lib.com>

<http://www.404manual.com>

<http://www.luxmanual.com>

<http://aubethermostatmanual.com>

Golf course search by state

<http://golfingnear.com>

Email search by domain

<http://emailbydomain.com>

Auto manuals search

<http://auto.somanuals.com>

TV manuals search

<http://tv.somanuals.com>