

IMPORTANT! Read entire instruction sheet before you start installation and assembly.

Before you start check the parts list below to make sure all of the parts shown are included.

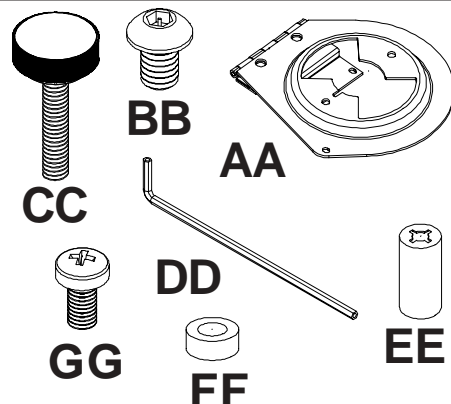
⚠ WARNING

- Installer must verify that the ceiling will safely support four times the combined weight of all attached equipment and hardware.

Parts List

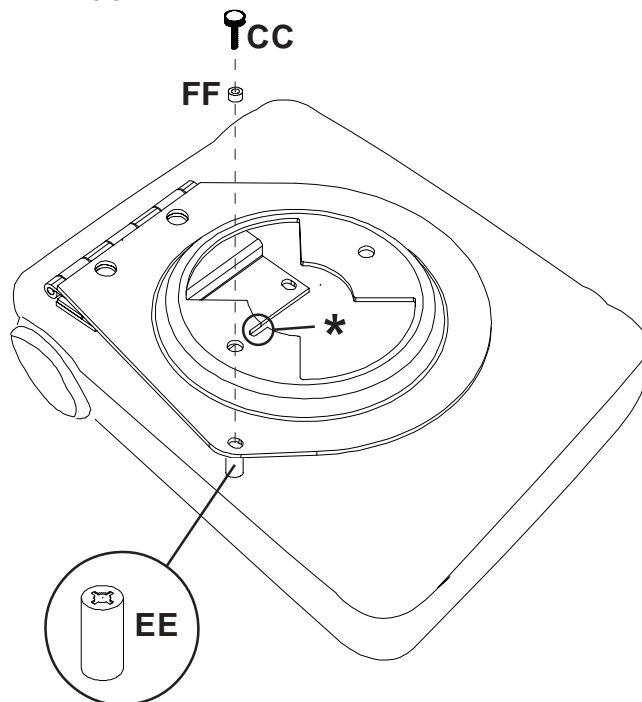
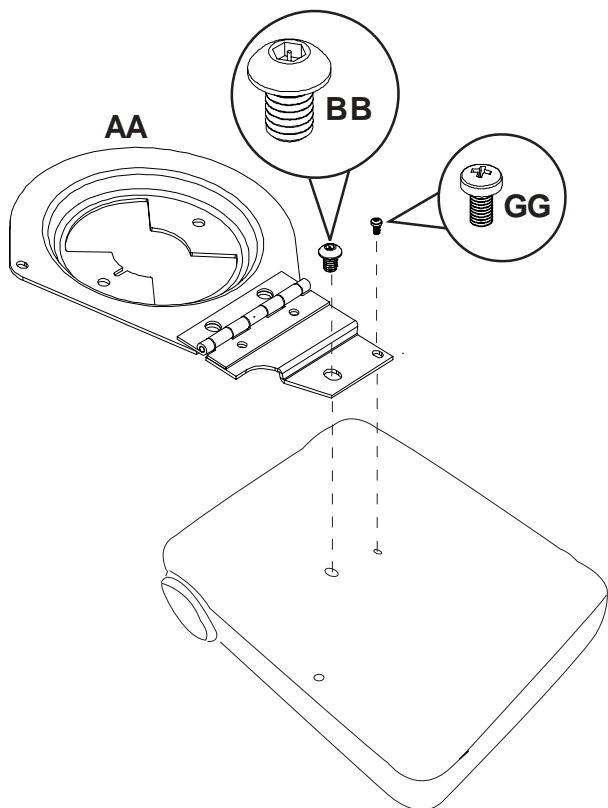
Description	Qty.	PAP 121	PAP 121-S	PAP 121-W
AA adapter plate	1	055-1207	055-4207	055-2207
BB 1/4 - 20 x 3/8" socket pin screw	1	520-1109	520-2109	520-2109
CC M3 -.5 x 25 mm thumb screw	1	560-1139	560-7139	560-7139
DD 4 mm allen wrench	1	560-9646	560-9646	560-9646
EE retaining spacer	1	590-1128	590-2128	590-2128
FF spacer	1	590-0108	590-0108	590-0108
GG M3 - .5" x 6 mm phillips pan	1	520-1028	520-2036	520-2036

Note: Actual parts may appear slightly different than illustrated.



1 Flip projector upside-down and attach adapter plate (AA) using one socket pin screw (BB) and one phillips screw (GG) as shown. Tighten screw (BB) using 4 mm allen wrench (DD).

2 *Notch indicates front of projector. Secure adapter plate with thumb screw (CC), spacer (FF) and retaining spacer (EE) in remaining hole.



Free Manuals Download Website

<http://myh66.com>

<http://usermanuals.us>

<http://www.somanuals.com>

<http://www.4manuals.cc>

<http://www.manual-lib.com>

<http://www.404manual.com>

<http://www.luxmanual.com>

<http://aubethermostatmanual.com>

Golf course search by state

<http://golfingnear.com>

Email search by domain

<http://emailbydomain.com>

Auto manuals search

<http://auto.somanuals.com>

TV manuals search

<http://tv.somanuals.com>