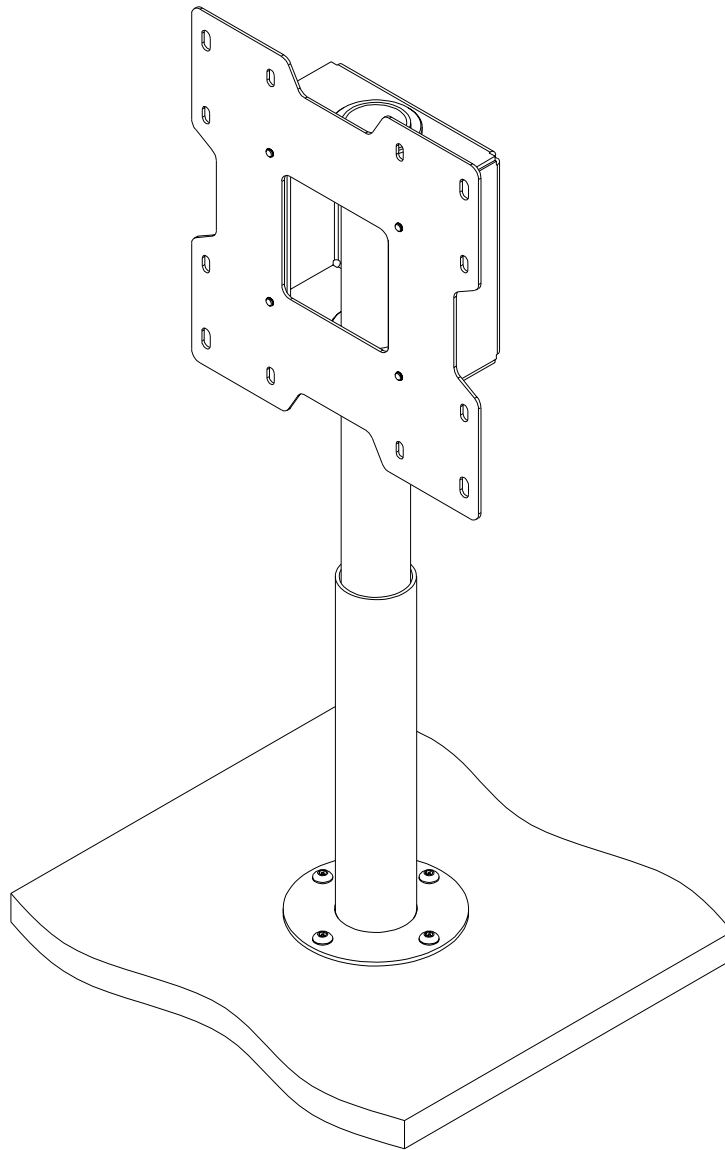




Installation and Assembly

Desktop Swivel Mount

Model: HP432-002, HP432-002-S, HP432-002-GB



Max Load Capacity: 80 lbs (36.3 kg)

3215 W. North Ave. • Melrose Park, IL 60160 • (800) 865-2112 or (708) 865-8870 • Fax: (708) 865-2941 • www.peerlessmounts.com

ISSUED: 8-29-07 SHEET #: 124-9102-3 8-13-08

Note: Read entire instruction sheet before you start installation and assembly.

WARNING

- Do not begin to install your Peerless product until you have read and understood the instructions and warnings contained in this Installation Sheet. If you have any questions regarding any of the instructions or warnings, please call Peerless customer care at 1-800-865-2112.
- This product should only be installed by a qualified professional.
- Make sure that the supporting surface will safely support the combined load of the equipment and all attached hardware and components.
- Never exceed the Maximum Load Capacity of 80 lbs (36.3 kg).
- Always use an assistant or mechanical lifting equipment to safely lift and position equipment.
- Tighten screws firmly, but do not overtighten. Overtightening can damage the items, greatly reducing their holding power.

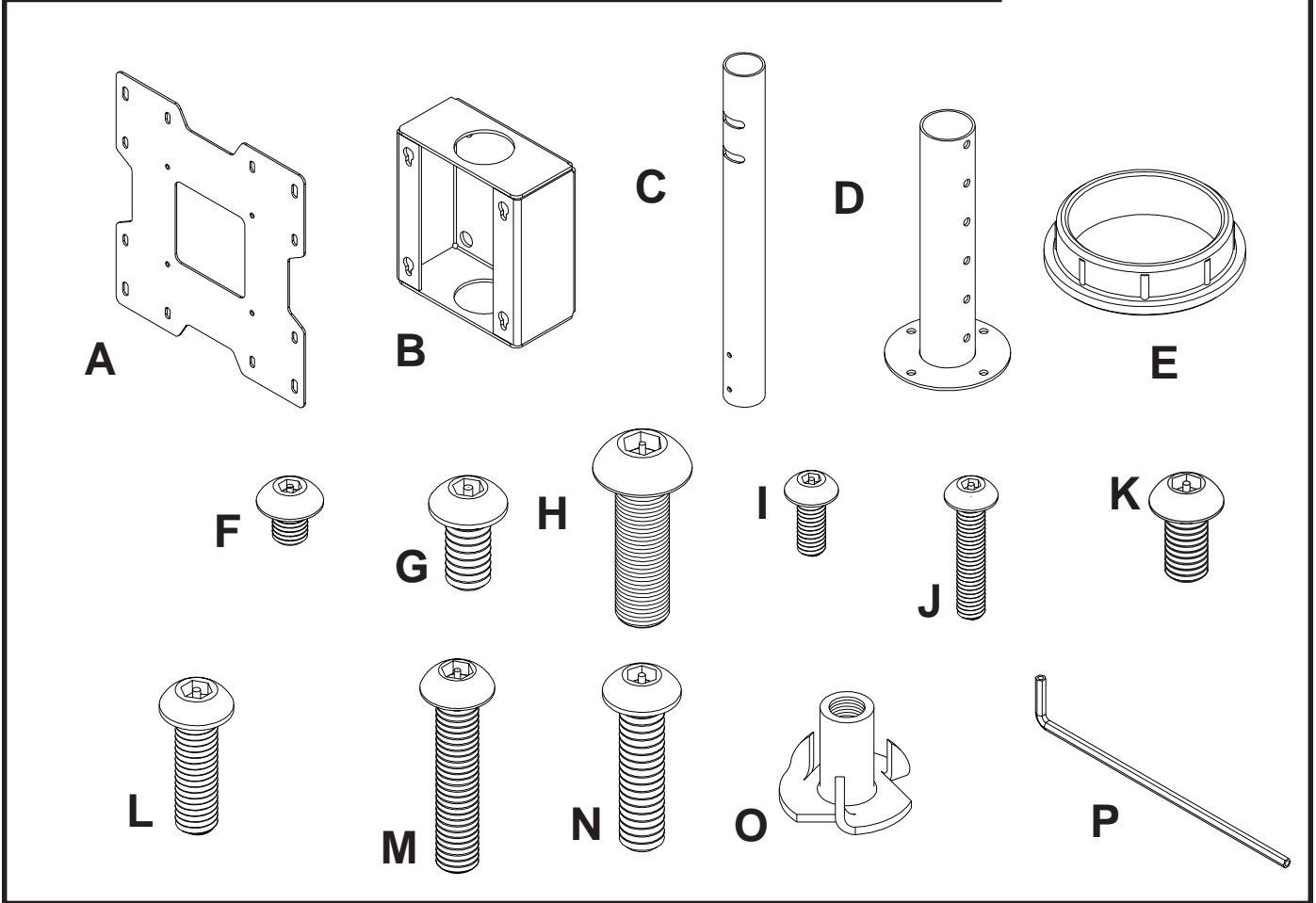
Table of Contents

Parts List	3
Installation to Desktop	4
Installing Tube Assembly	4
Installing Screen	5

For customer service call (800) 865-2112 or (708) 865-8870.

Parts List

Description	QTY.	Part #	HP432-002	HP432-002-GB	HP432-002-S
A adapter plate	1	095-1322	095-P1322	095-4322	
B adapter box	1	124-1794	124-P1794	124-4794	
C swivel tube	1	124-1792	124-P1792	124-4792	
D base tube	1	124-1796	124-P1796	124-4796	
E bushing	2	590-1088	590-1088	590-1088	
F M5 x 6 mm socket pin screw	4	520-1114	520-1114	520-2062	
G 1/4-20 x 1/2" socket pin screw	2	520-1054	520-1054	520-2069	
H M8 x 25 mm socket pin screw	2	520-1101	520-1101	520-2184	
I M4 x 10 mm socket pin screw	4	520-1060	520-1060	520-2060	
J M4 x 20 mm socket pin screw	4	520-1061	520-1061	520-2163	
K M6 x 12 mm socket pin screw	4	520-1050	520-1050	520-2050	
L M6 x 20 mm socket pin screw	4	520-9554	520-9554	520-2554	
M M6 x 30 mm socket pin screw	4	520-1067	520-1067	520-2067	
N 1/4-20 x 1" socket pin screw	4	520-1053	520-1053	520-2588	
O 1/4-20 T-nut	4	530-9301	530-9301	530-2301	
P 4 mm security allen wrench	1	560-9646	560-9646	560-9646	



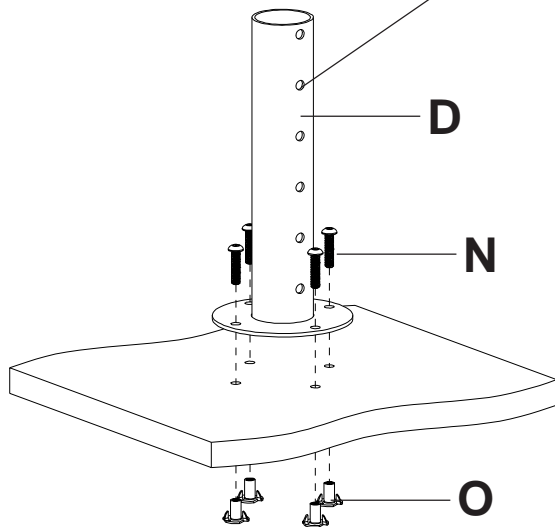
Note: Read entire instruction sheet before you start installation and assembly.

CAUTION

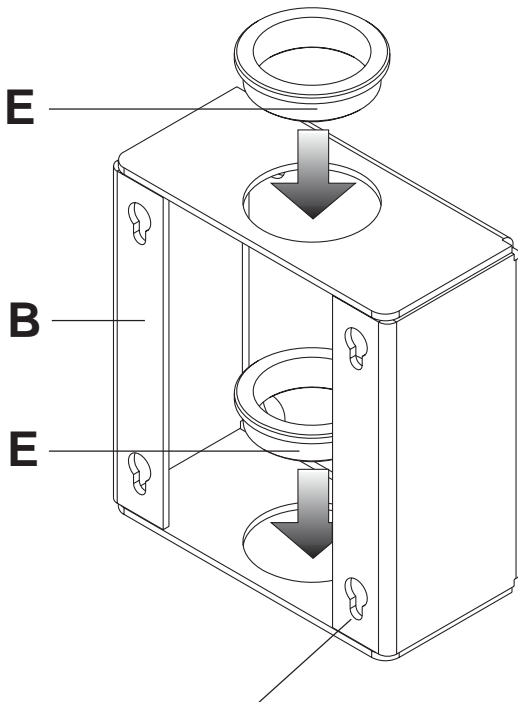
- Installations to desktops that have a gap between two supporting boards are not acceptable mounting surfaces for the HP line of desktop swivel mounts.

- 1** Determine mount position on desktop and using the base tube (D) as a template, mark and drill four 5/16" diameter holes through desktop. Place base tube on desktop and secure using four 1/4-20 x 1" socket pin screws (N) and four T-nuts (O).

Note: The holes on base tube (D) will face the back of the desktop.

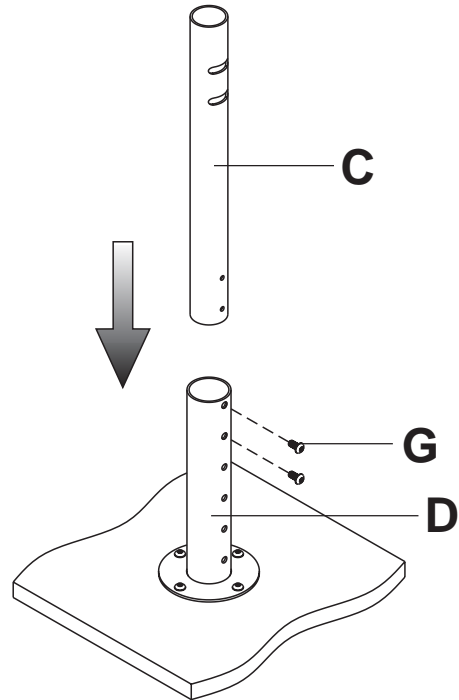


- 3** Insert two bushings (E) into the two holes on adapter box (B) as shown.

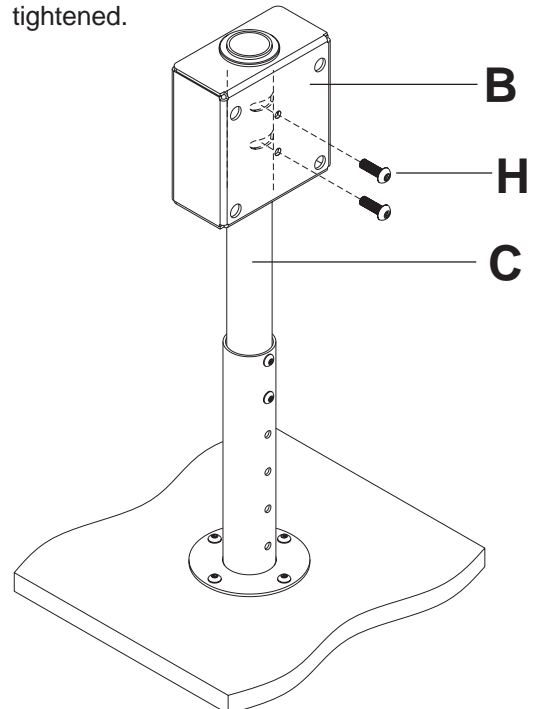


Note: Narrow end of keyhole slot faces toward bottom.

- 2** Insert swivel tube (C) into base tube (D), adjust swivel tube to desired height and secure using two 1/4-20 x 1/2" socket pin screws (G).



- 4** Place adapter box (B) onto swivel tube (C) and secure using two M8 x 25 mm socket pin screws (H). Be sure that screws (H) are positioned into the slots in the swivel tube (C) and are fully tightened.



5

Identify hole pattern on back of screen.

Note: Desktop mount only supports screens with a VESA 100, VESA 200 and VESA 400 hole pattern.

⚠ WARNING

- If screws don't get three complete turns in the screen inserts or if screws bottom out and bracket is still not tightly secured, damage may occur to screen or product may fail.

FOR VESA® 100 MOUNTING PATTERN:

Thread four screws (**I** or **J**) into screen leaving 1/8" exposed thread as shown in figure 5.1.

Hook screen onto keyhole slots of adapter box (**B**), then fasten four screws (**I** or **J**) through the back of adapter box into adapter plate as shown in figure 5.2.

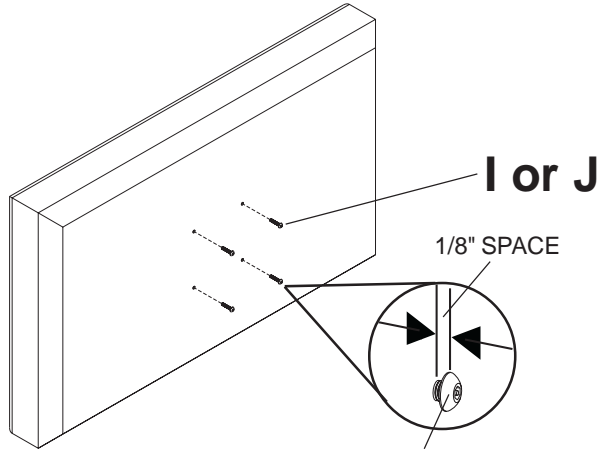


fig. 5.1

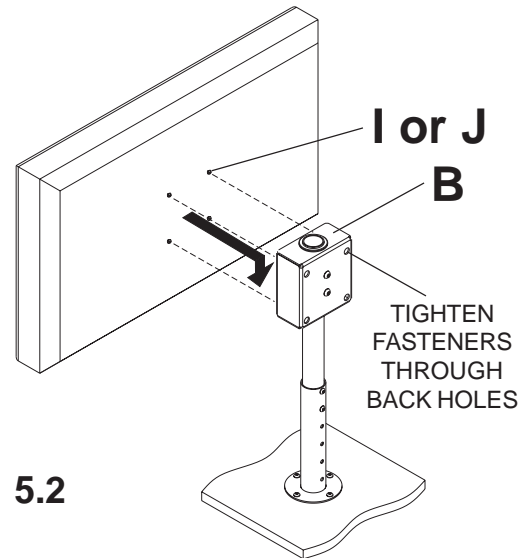


fig. 5.2

FOR VESA® 200 and VESA® 400 MOUNTING PATTERN:

Attach adapter plate to screen using four screws (**K, L** or **M**). Thread four M5 x 6 mm screws (**F**) into adapter plate leaving 1/8" exposed thread as shown in figure 5.3.

Hook screen onto keyhole slots of adapter box (**B**), then fasten four screws (**F**) through the back of adapter box into adapter plate as shown in figure 5.4.

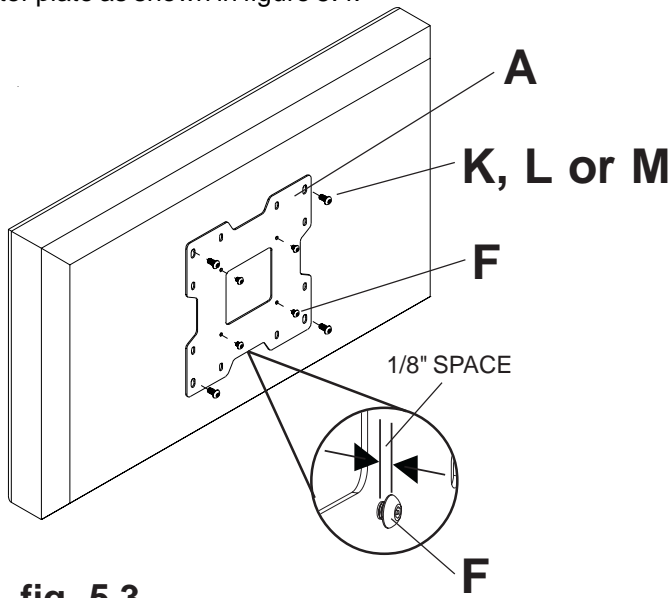


fig. 5.3

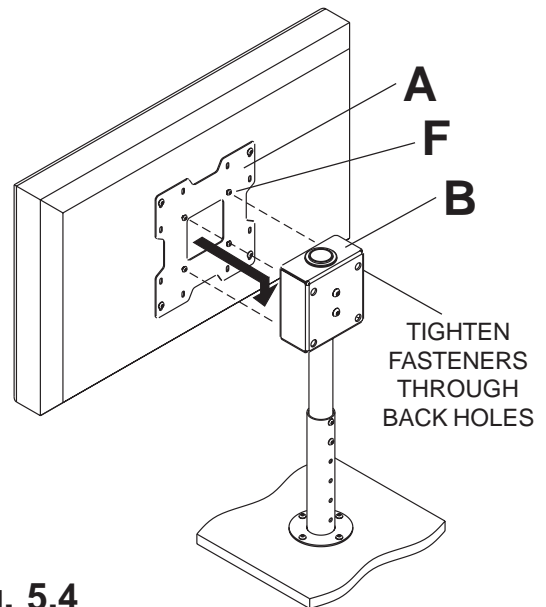


fig. 5.4

Free Manuals Download Website

<http://myh66.com>

<http://usermanuals.us>

<http://www.somanuals.com>

<http://www.4manuals.cc>

<http://www.manual-lib.com>

<http://www.404manual.com>

<http://www.luxmanual.com>

<http://aubethermostatmanual.com>

Golf course search by state

<http://golfingnear.com>

Email search by domain

<http://emailbydomain.com>

Auto manuals search

<http://auto.somanuals.com>

TV manuals search

<http://tv.somanuals.com>