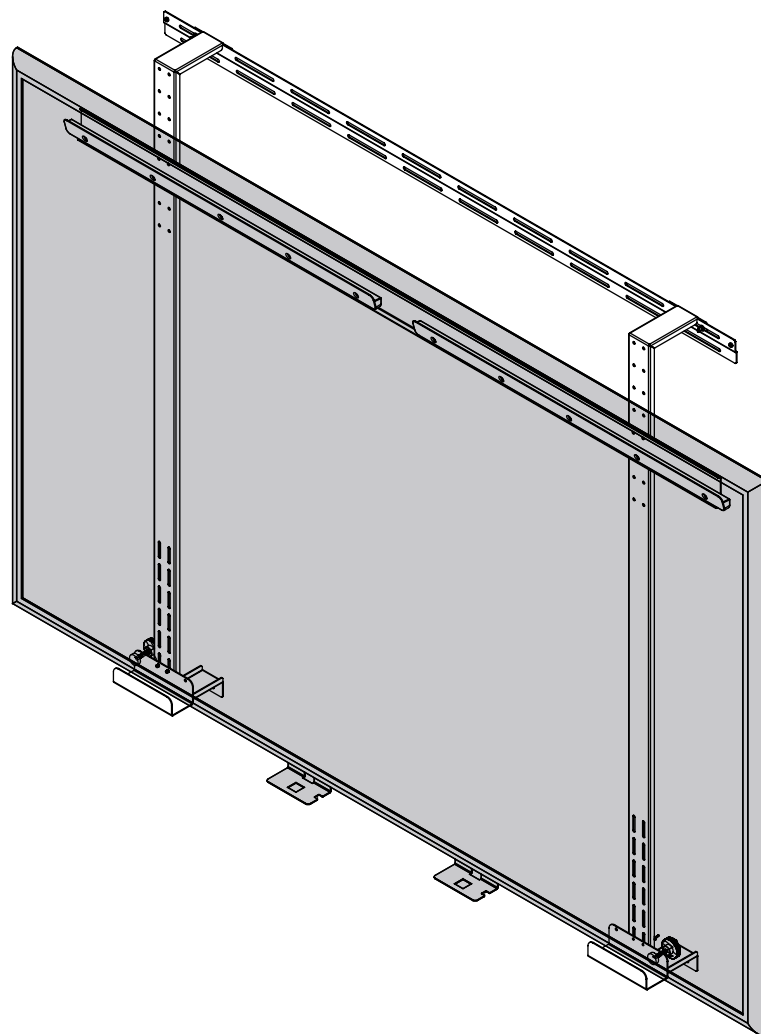




Installation and Assembly: Wall Mount for SMARTboard SB685/SB690

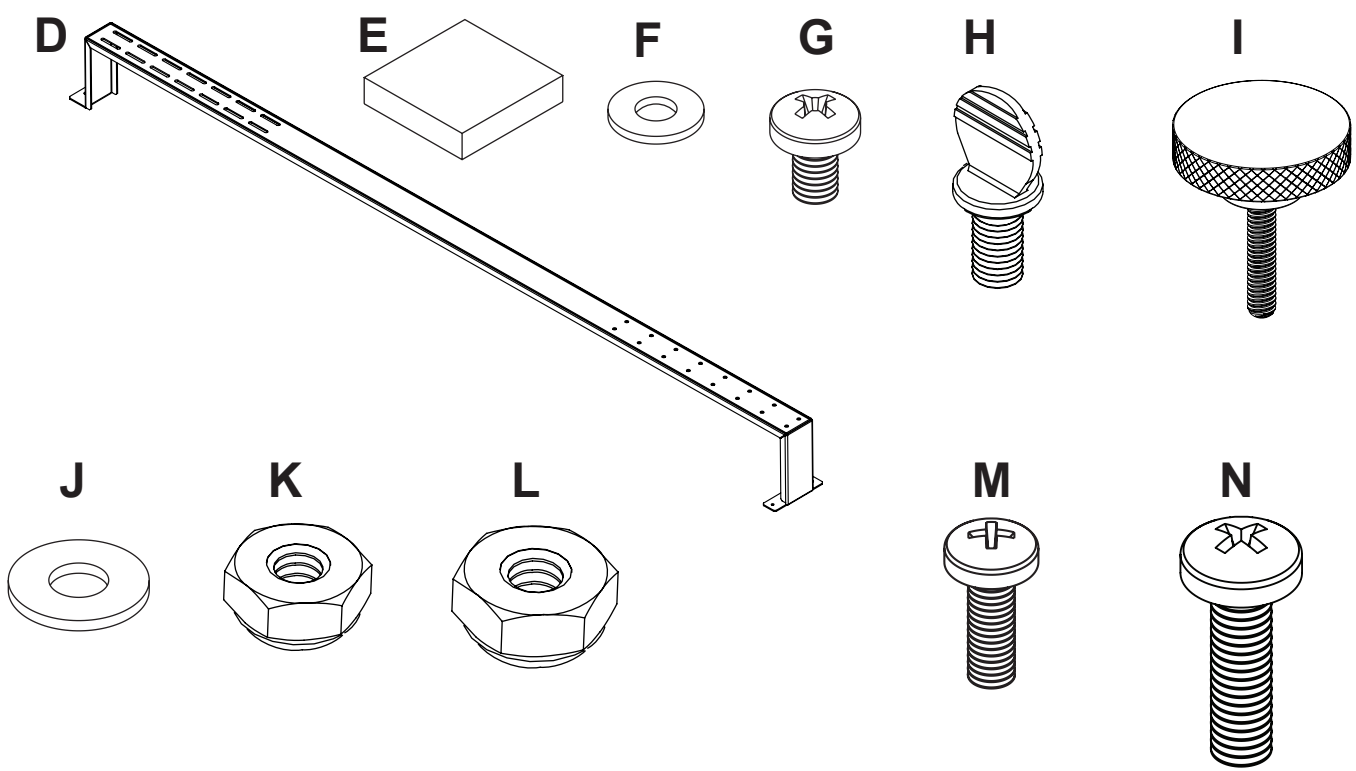
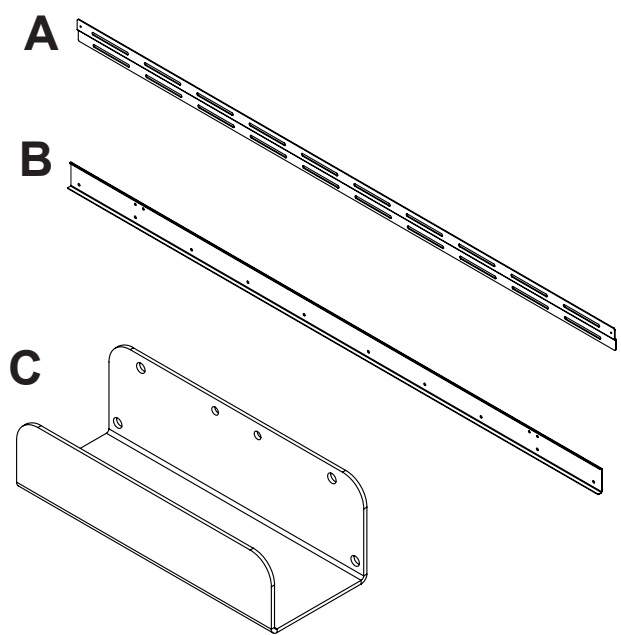
Model: IWB600-WB



Max Load Capacity: 50 lb (22.6 kg)

PARTS LIST

Description	Qty.	Part #
A wall plate	1	095-4652
B upper cross support	1	095-4962
C support bracket	2	095-4667
D vertical support	2	095-4666
E rubber bumper	2	590-1159
F #10 washer	2	540-9442
G M4 x 6 mm phillips screw	2	520-2032
H #10-32 x 3/8 thumb screw	6	560-2107
I knob	2	560-0223
J 1/4 washer	6	540-9444
K M4 nylock nut	4	530-1055
L M5 nylock nut	8	530-1019
M M4 x 8 mm phillips screw	4	520-2237
N M5 x 20 mm phillips screw	8	510-1208



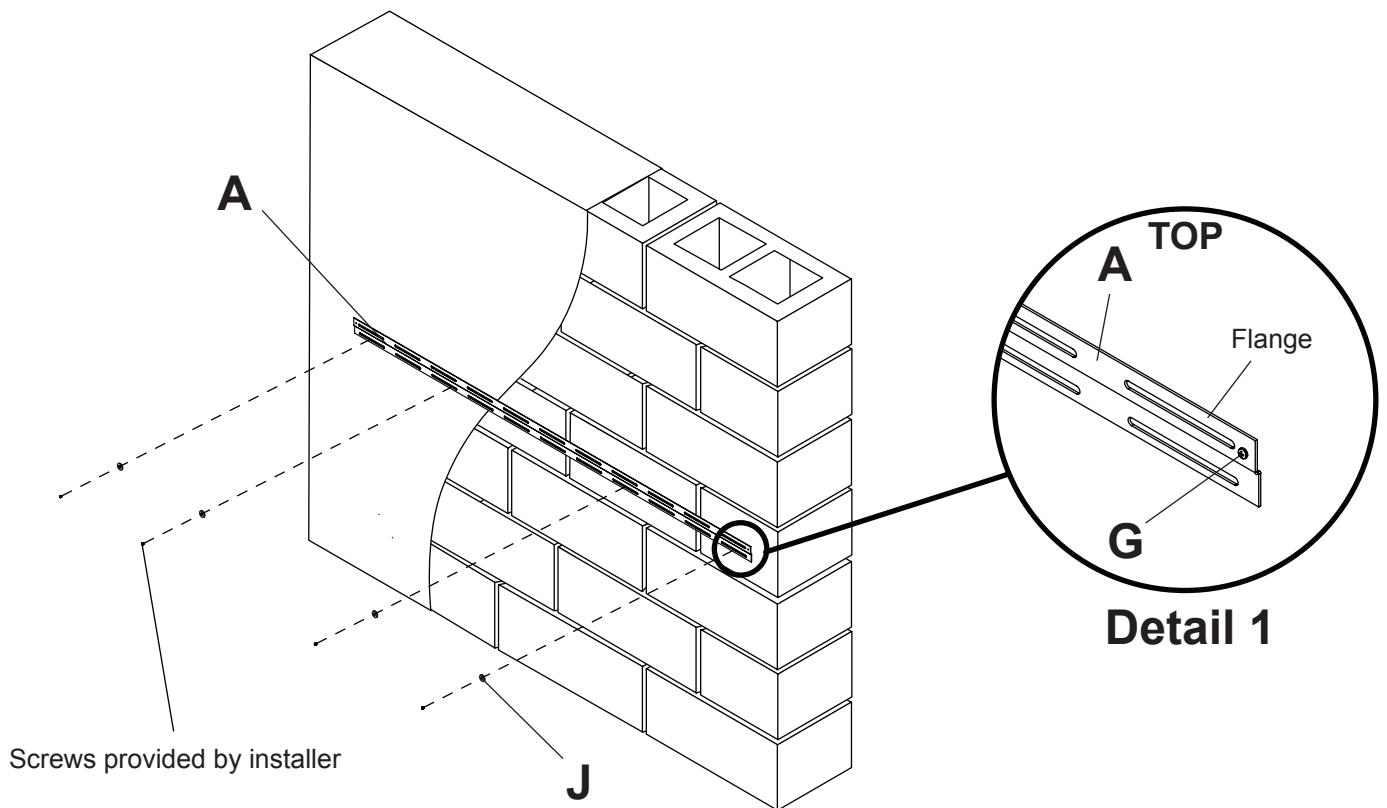
⚠ WARNING

- Installer must verify that the supporting surface will safely support the combined load of the equipment and all attached hardware and components.

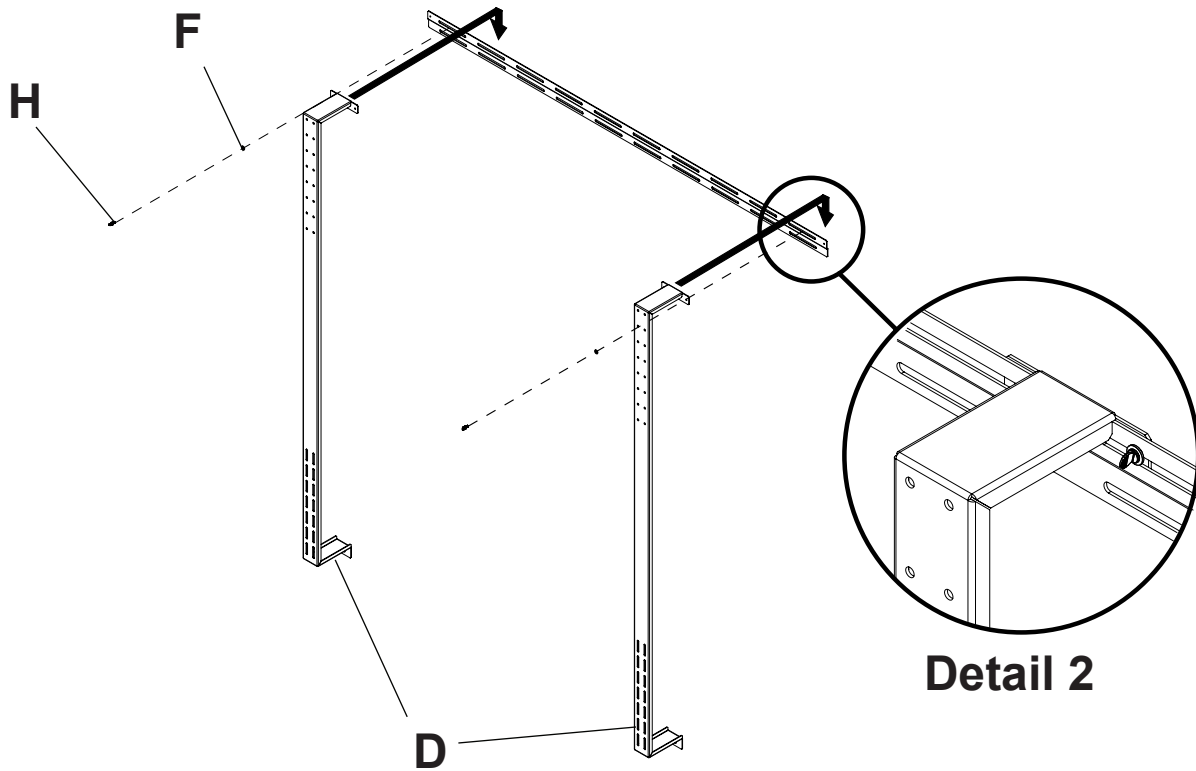
1 **NOTE:** Make sure flange of wall bracket is located on top as shown in detail 1
Be sure wall bracket (A) is level and in desired position. Then use wall bracket (A) as a template to mark center of four mounting holes. Drill four mounting holes. Attach wall bracket (A) to mounting surface using four screws provided by installer and four 1/4 washers (J) if required. Once secure, wall bracket (A) will be flush with the top of the vertical bracket (D).

Fasten two M4 x 6 mm phillips screws (G) into ends of wall bracket (A) as shown in Detail 1.

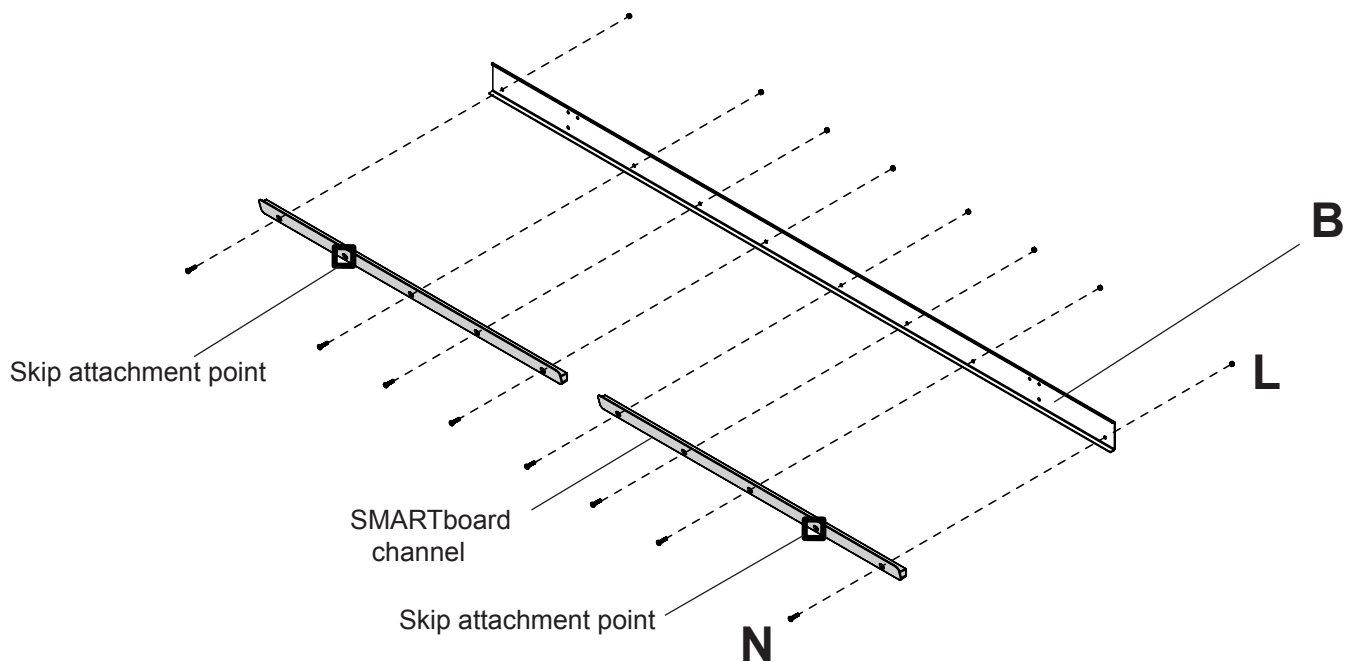
NOTE: Vertical brackets (D) may be used to determine location of wall bracket (A).



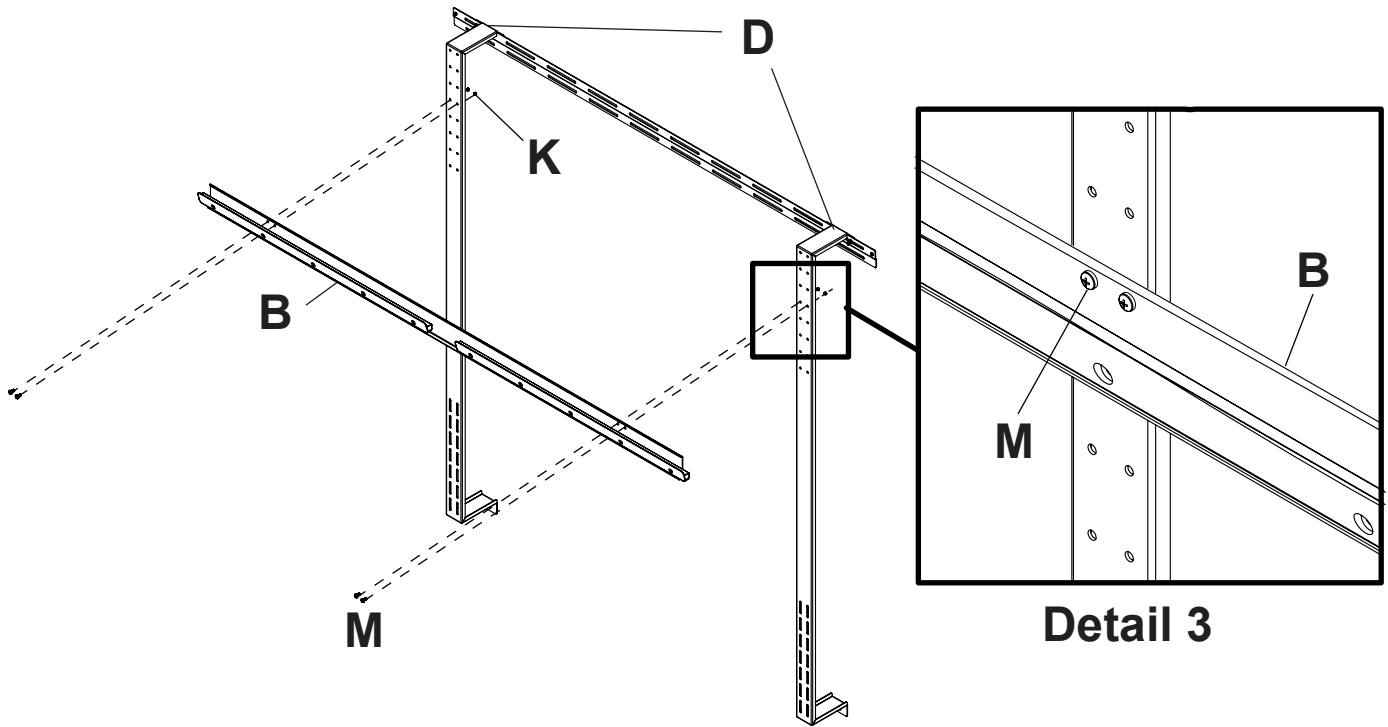
- 2** Secure Vertical brackets (D) to wall bracket (A) using two #10-32 x 3/8 thumb screws (H) and #10 flat washers (F).



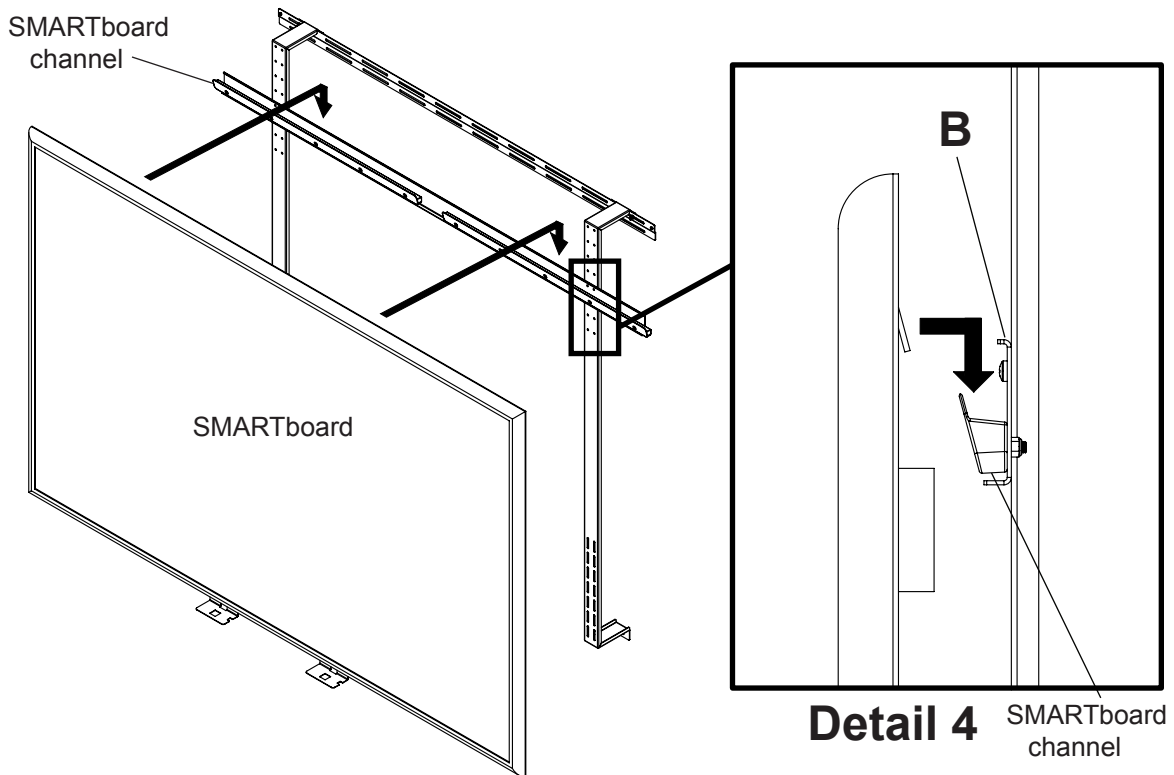
- 3** Secure SMARTboard channel to upper cross support (B) using eight M5 x 20 mm phillips screws (N) and eight M5 nylock nuts (L).
NOTE: Make sure to skip attachment point as shown below.



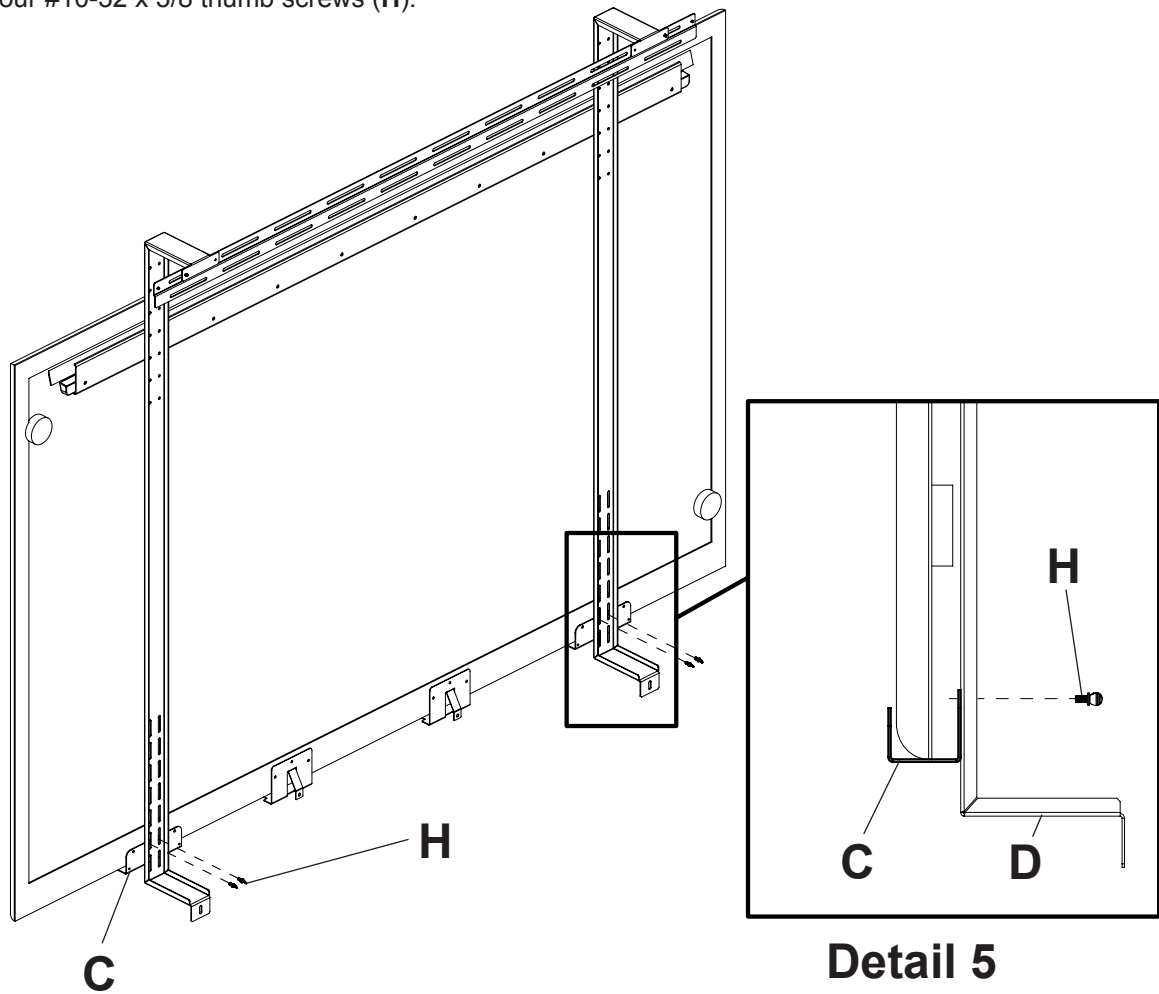
- 4** Secure upper cross support (**B**) to vertical supports (**D**) using four M4 x 8 mm phillips screws (**M**), and M4 nylock nuts (**K**).



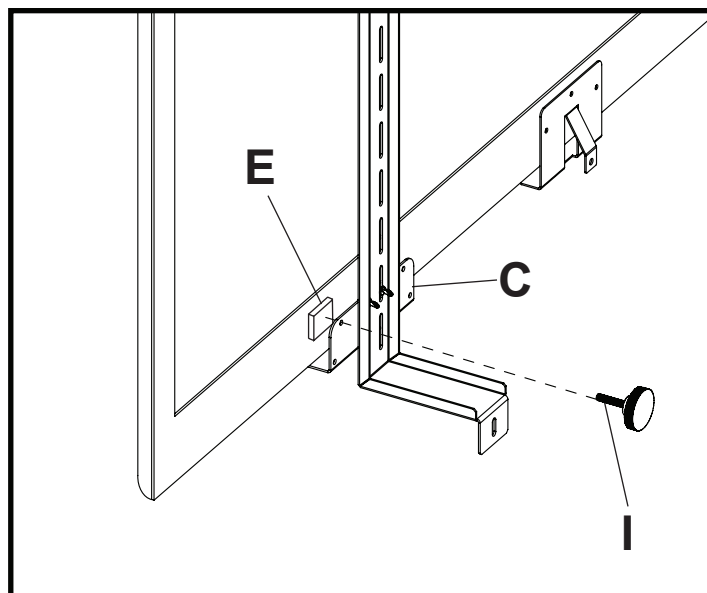
- 5** Hook SMARTboard into SMARTboard channel on upper cross support (**B**).



- 6** Fasten two support brackets (**C**) to vertical supports (**D**) using four #10-32 x 3/8 thumb screws (**H**). Slide support brackets (**C**) up until bottom of SMARTboard rests on support as shown in detail 5. Tighten four #10-32 x 3/8 thumb screws (**H**).

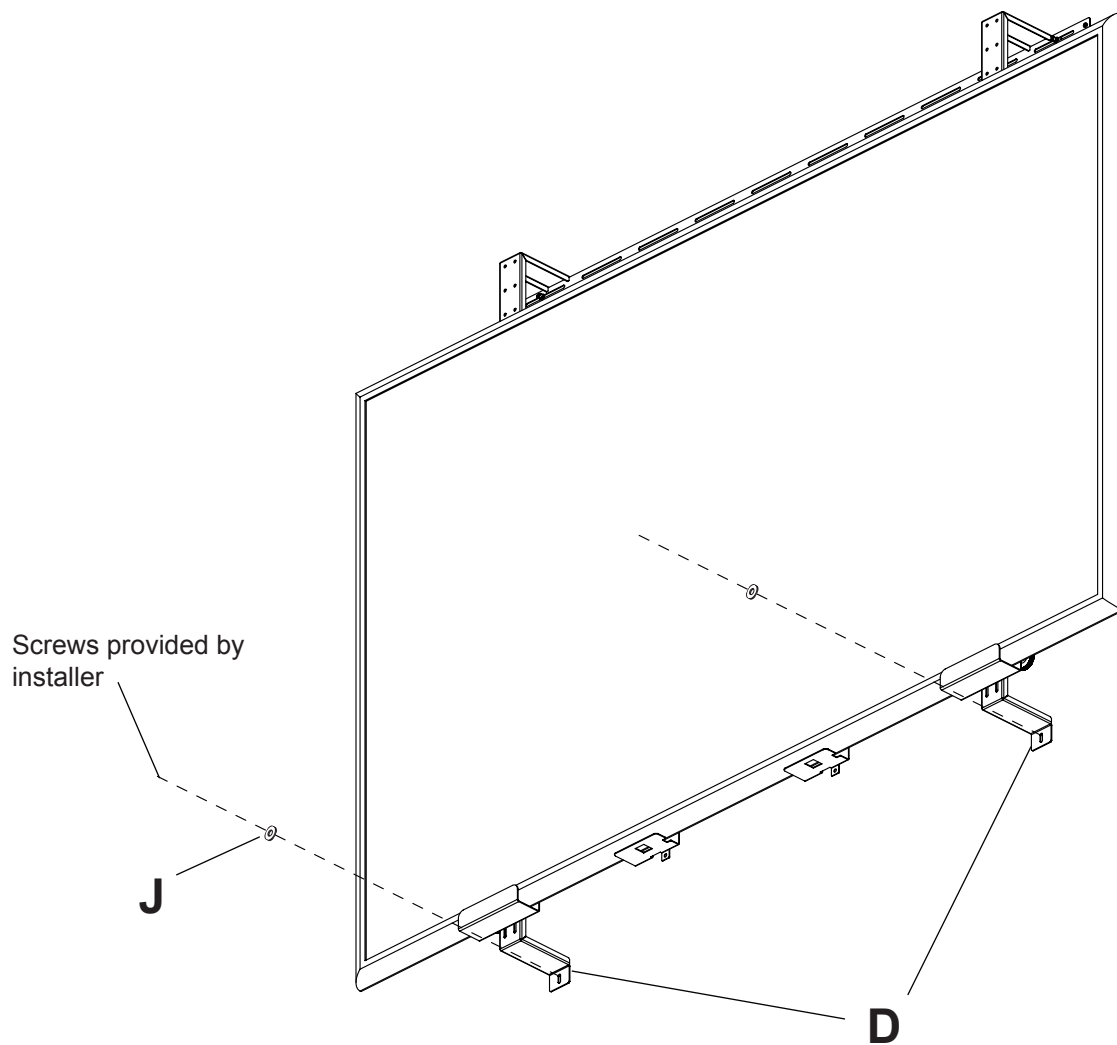


- 7** Fasten knob (**I**) through outside hole in support bracket (**C**) to determine rubber bumper (**E**) placement. Secure rubber bumper (**E**) to board. Repeat on opposite side of board.



- 8** Secure bottom of vertical supports (**D**) to mounting surface using two screws provided by installer, and 1/4 washers (**J**) if required.

NOTE: Make sure mounting surface is suitable to hold the weight of the mount and smart board.



Free Manuals Download Website

<http://myh66.com>

<http://usermanuals.us>

<http://www.somanuals.com>

<http://www.4manuals.cc>

<http://www.manual-lib.com>

<http://www.404manual.com>

<http://www.luxmanual.com>

<http://aubethermostatmanual.com>

Golf course search by state

<http://golfingnear.com>

Email search by domain

<http://emailbydomain.com>

Auto manuals search

<http://auto.somanuals.com>

TV manuals search

<http://tv.somanuals.com>