

PF660

Universal Flat Wall Mount for 37" to 60" Flat Panel Screens

Easily install larger screens with this simple, intuitive mounting solution. Cables are easily managed behind the screen with access ports in the wall plate. Effortlessly achieve the desired screen position with smooth sliding along the mount's horizontal wall plate rails.



FEATURES

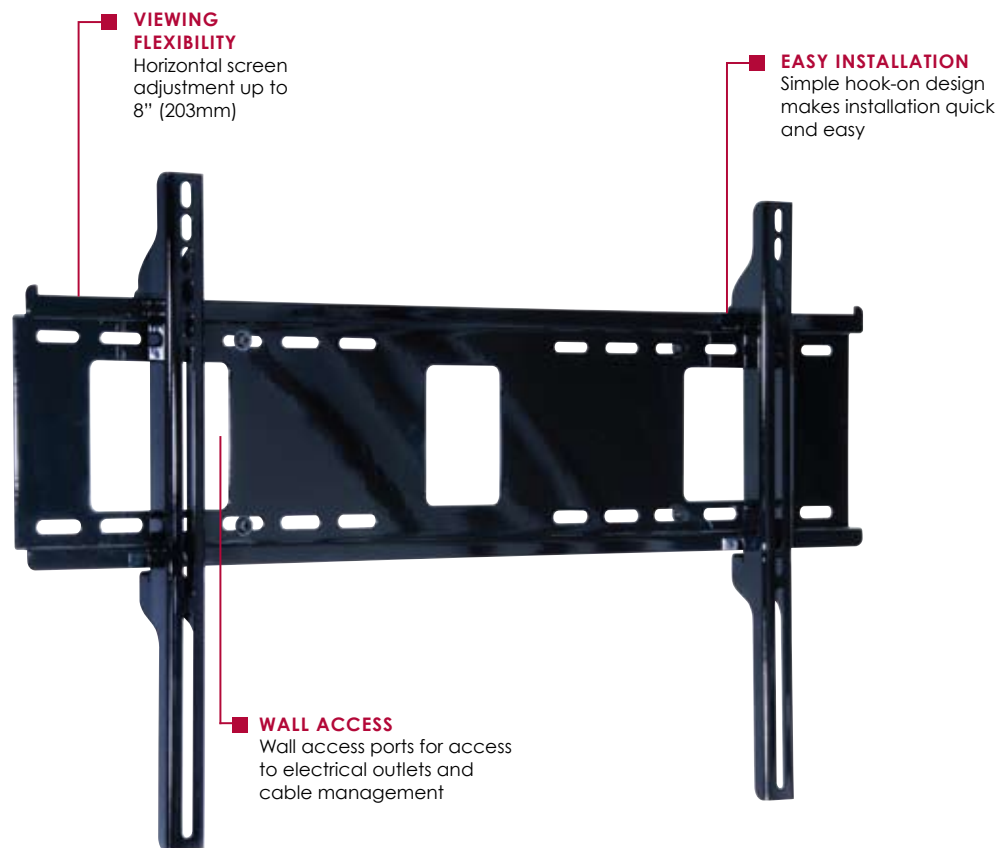
- Universal mount accommodates screens with mounting patterns up to 28.75" W x 17.05" H (730 x 433mm)
- Low-profile design holds screen only 1.68" (43mm) from the wall for a clean application
- Wall access ports for access to electrical outlets and cable management
- Easy-glide adapters easily hook onto wall plate for a simple, safe and quick installation
- Horizontal screen adjustment of up to 8" (203mm) (depending on screen model) for perfect screen placement
- Mounts to wood studs, concrete, cinder block or metal studs (metal stud accessory required)
- Comes with Peerless' Sorted-for-You™ fastener pack with all necessary screen attachment hardware
- UL listed



Screen size: 37"-60"



Max load: 200lb (90kg)



Low-profile design keeps screen 1.68" (43mm) from the wall



CLICK: www.peerlessmounts.com CALL: 800.865.2112 FAX: 708.865.2941

peerless®

PF660	Universal Flat Wall Mount for 37" to 60" Flat Panel Screens
--------------	---

Product Specifications

	DIMENSIONS (W x H x D)	PRODUCT WEIGHT	LOAD CAPACITY	FINISH	AVAILABLE COLORS
PF660	30.75" x 18" x 1.68" (781 x 457 x 43mm)	7.74lb (3.5kg)	200lb (90.8kg)	Scratch resistant fused epoxy	Gloss black

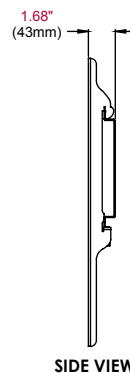
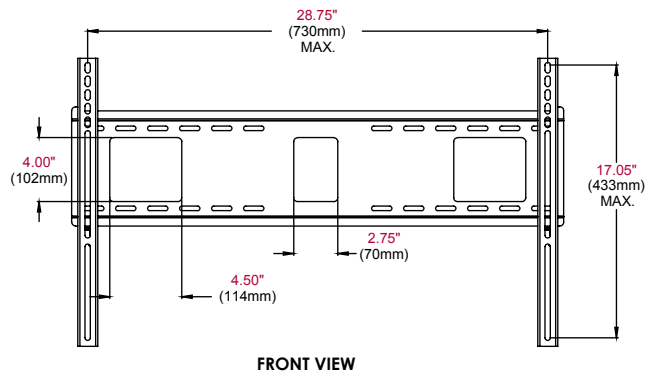
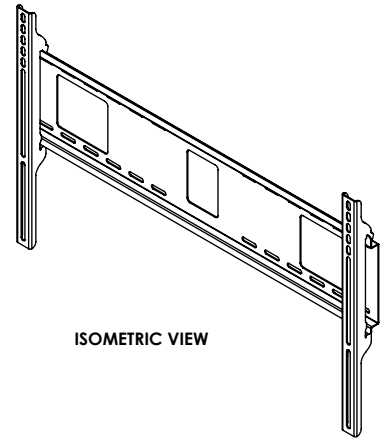
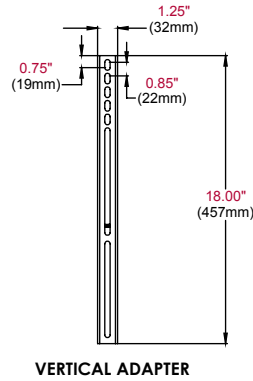
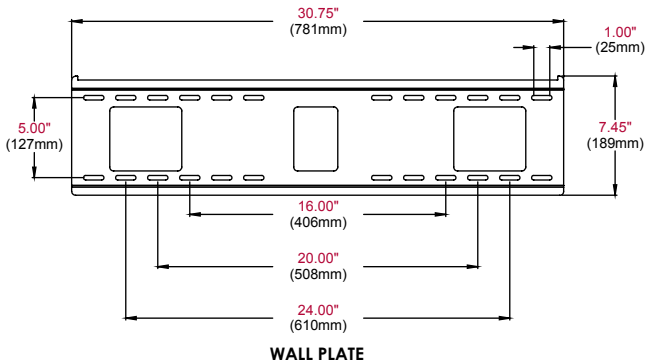
Package Specifications

	PACKAGE SIZE (W x H x D)	PACKAGE SHIP WEIGHT	PACKAGE UPC CODE	PACKAGE CONTENTS	UNITS IN PACKAGE
PF660	31.8" x 8.6" x 3.9" (808 x 218 x 99mm)	9.88lb (4.48kg)	735029252351	Wall plate, universal adapters, mounting and screen attachment hardware	1

Accessories

- ACC925:** Security Fasteners
- ACC415:** 4-pack Metal Stud Fastener Kit

All dimensions = inch (mm)



ARCHITECTS SPECIFICATIONS

The Universal Flat Wall Mount shall be a Peerless model PF660 and shall be located where indicated on the plans. It shall be constructed of heavy gauge cold rolled steel and finished with scratch resistant Black Fused Epoxy. Assembly and installation shall be done according to instructions provided by the manufacturer.

Free Manuals Download Website

<http://myh66.com>

<http://usermanuals.us>

<http://www.somanuals.com>

<http://www.4manuals.cc>

<http://www.manual-lib.com>

<http://www.404manual.com>

<http://www.luxmanual.com>

<http://aubethermostatmanual.com>

Golf course search by state

<http://golfingnear.com>

Email search by domain

<http://emailbydomain.com>

Auto manuals search

<http://auto.somanuals.com>

TV manuals search

<http://tv.somanuals.com>