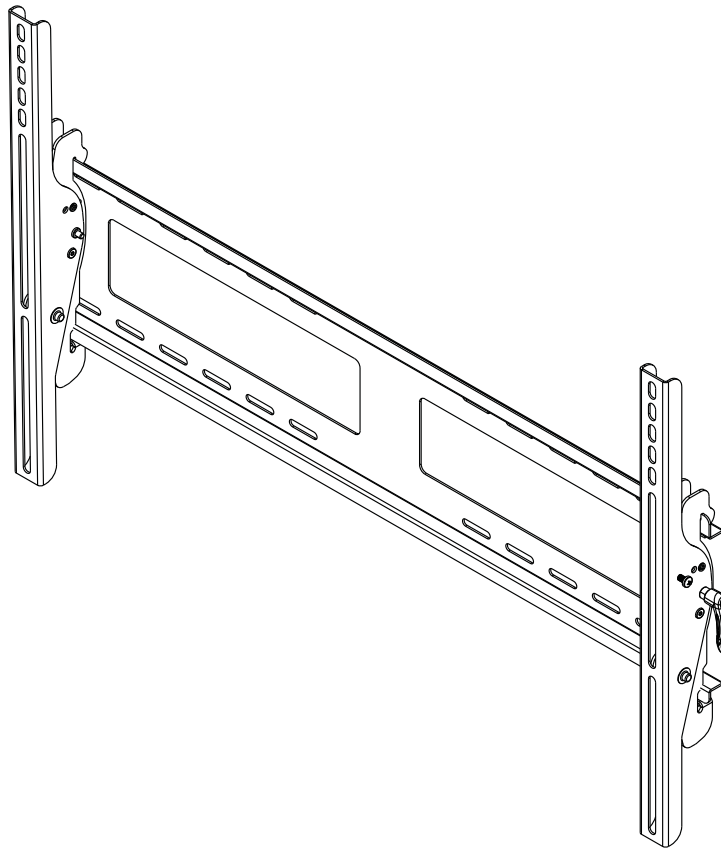


Installation and Assembly: ParamountTM Universal Tilt Wall Mounts for 32" - 56" (81 - 142 cm) LCD and Flat Panel Plasma Screens

Model: PT650, PWS320/BK



Max Load Capacity: 175 lb (79 kg)



Features:

- Universal mount fits screens with mounting hole patterns up to 29.06" W x 17.67" H (738 mm W x 449 mm H)
- Screen held only 2.5" (64mm) from wall for a discreet installation
- Open wall plate design allows for greater wall access and an array of cable management options
- Universal tilt brackets easily hook onto the wall plate for fast installation
- Adjustable up to 15° of forward tilt and up to -5° backward tilt for optimal viewing angle
- One-touch tilt for effortless adjustment
- Pre-tensioned universal tilt bracket allows for tilt angle adjustment in one easy motion.
- Easy locking handle locks the screen position into place without the use of tools
- Optional IncreLok feature offers fixed tilts at -5°, 0°, 5°, 10°, 15° increments
- Includes Sorted-For-YouTM fastener packs for installation to wood studs, concrete, and cinder block
- Optional horizontal adjustment of up to 8" (203 mm) (depending on screen model) for perfect screen placement

NOTE: Read entire instruction sheet before you start installation and assembly.

▲ WARNING

- Do not begin to install your Peerless product until you have read and understood the instructions and warnings contained in this Installation Sheet. If you have any questions regarding any of the instructions or warnings, for US customers please call Peerless customer care at 1-800-865-2112, for all international customers, please contact your local distributor.
- This product should only be installed by someone of good mechanical aptitude, has experience with basic building construction, and fully understands these instructions.
- Make sure that the supporting surface will safely support the combined load of the equipment and all attached hardware and components.
- Never exceed the Maximum Load Capacity. See page one.
- If mounting to wood wall studs, make sure that mounting screws are anchored into the center of the studs. Use of an "edge to edge" stud finder is highly recommended.
- Always use an assistant or mechanical lifting equipment to safely lift and position equipment.
- Tighten screws firmly, but do not overtighten. Overtightening can damage the items, greatly reducing their holding power.
- This product is intended for indoor use only. Use of this product outdoors could lead to product failure and personal injury.
- This product was designed to be installed on the following wall construction only;

WALL CONSTRUCTION

HARDWARE REQUIRED

- | | |
|--------------------|---|
| • Wood Stud | Included |
| • Wood Beam | Included |
| • Solid Concrete | Included |
| • Cinder Block | Included |
| • Metal Stud | Do not attach except with Peerless Metal Stud Accessory Kit - ACC415; (not evaluated by UL) |
| • Brick | Contact Qualified Professional (not evaluated by UL) |
| • Other or unsure? | Contact Qualified Professional |

Tools Needed for Assembly

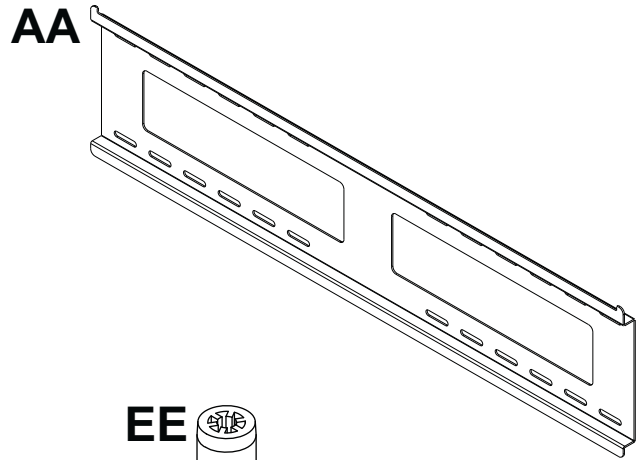
- stud finder ("edge to edge" stud finder is recommended)
- phillips screwdriver
- drill
- 5/16" (8 mm) bit for concrete and cinder block wall
- 5/32" (4 mm) bit for wood stud wall
- level

Table of Contents

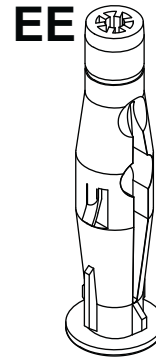
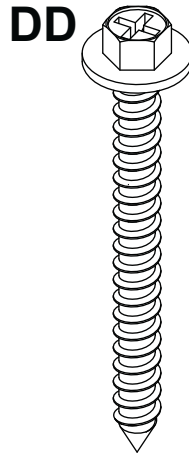
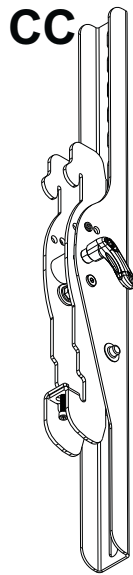
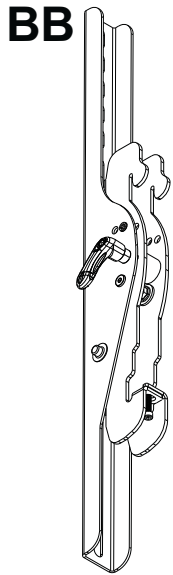
Parts List.....	3
Installation to Double Wood Stud Wall	4
Installation to Solid Concrete or Cinder Block	5
Installing Tilt Brackets.....	6
Mounting and Removing Flat Panel Screen	8

Before you begin, make sure all parts shown are included with your product.

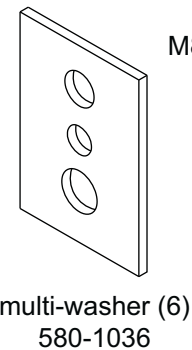
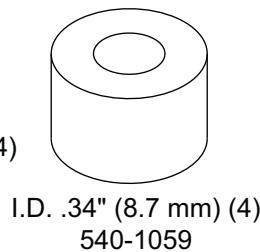
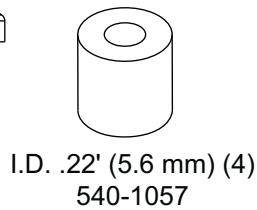
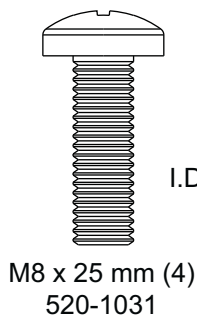
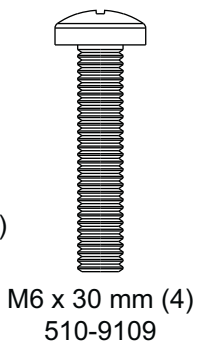
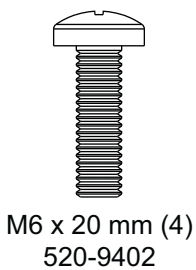
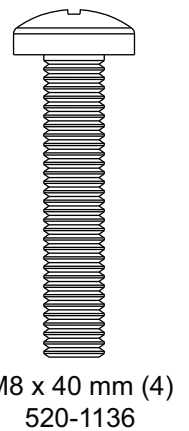
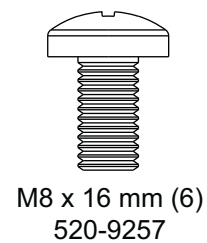
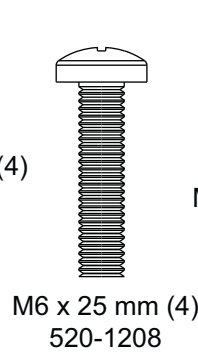
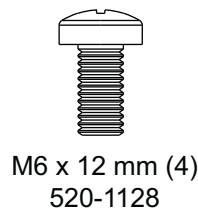
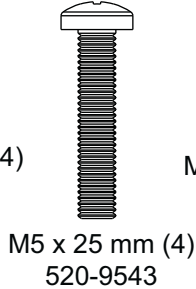
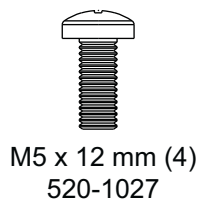
Parts List		
Description	Qty.	Part #
AA wall plate	1	201-P1288
BB left tilt bracket	1	201-P1469
CC right tilt bracket	1	201-P1471
DD #14 x 2.5" wood screw	4	5S1-015-C03
EE concrete anchor	4	590-0320



Parts may appear slightly different than illustrated.



Tilt Bracket Fasteners



Installation to Double Wood Stud Wall

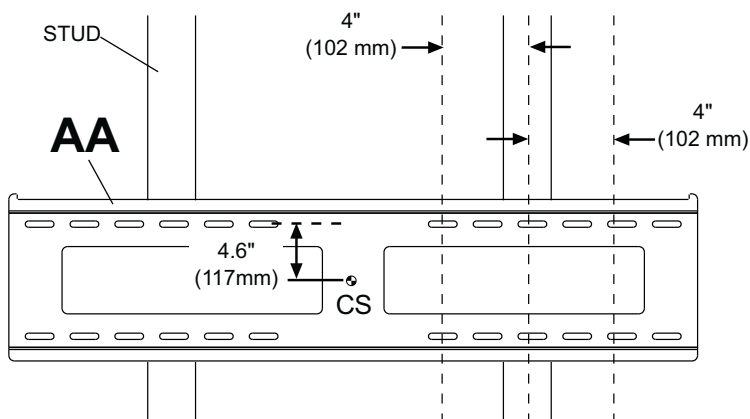
▲ WARNING

- Installer must verify that the supporting surface will safely support the combined load of the equipment and all attached hardware and components.
- Tighten wood screws so that wall plate is firmly attached, but do not overtighten. Overtightening can damage the screws, greatly reducing their holding power.
- Never tighten in excess of 80 in. • lb (9 N.M.).
- Make sure that mounting screws are anchored into the center of the stud. The use of an "edge to edge" stud finder is highly recommended.
- Hardware provided is for attachment of mount through standard thickness drywall or plaster into wood studs. Installers are responsible to provide hardware for other types of mounting situations (not evaluated by UL).

- 1 Use a stud finder to locate the edges of the studs. Use of an edge-to-edge stud finder is highly recommended. Based on their edges, draw a vertical line down each stud's center. Place wall plate on wall as a template. The top mounting slots should be 4.6" (117) above the desired screen center as shown in figure 1.1. Level plate, and mark the center of the four mounting holes. Make sure that the mounting holes are on the stud centerlines. Drill four 5/32" (4 mm) dia. holes 2.5" (64 mm) deep. Make sure that the wall plate is level, secure it using four #14 x 2.5" wood screws (**DD**) as shown in figure 1.2.

NOTE: Wall plate may be mounted up to 4" (102 mm) off center as shown in figure 1.1.

Skip to step 2.



CS = center of screen

fig. 1.1

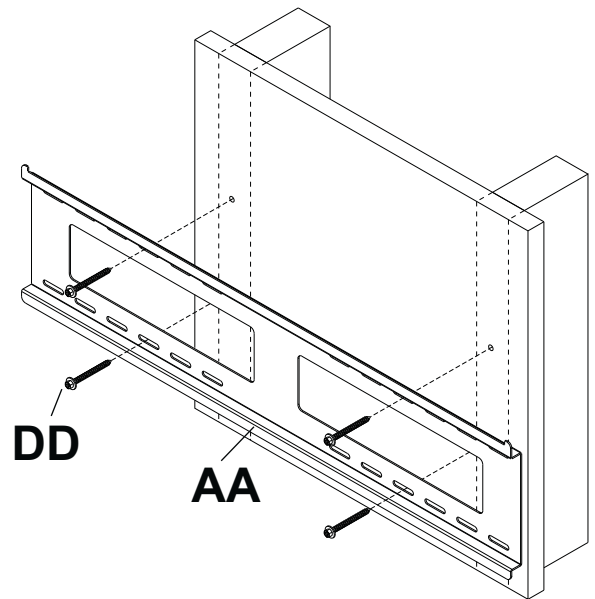


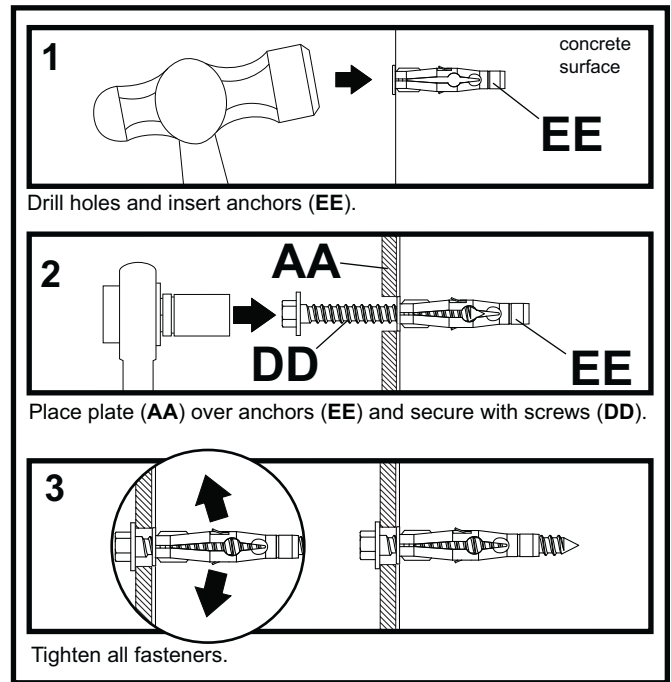
fig. 1.2

Installation to Solid Concrete or Cinder Block

⚠ WARNING

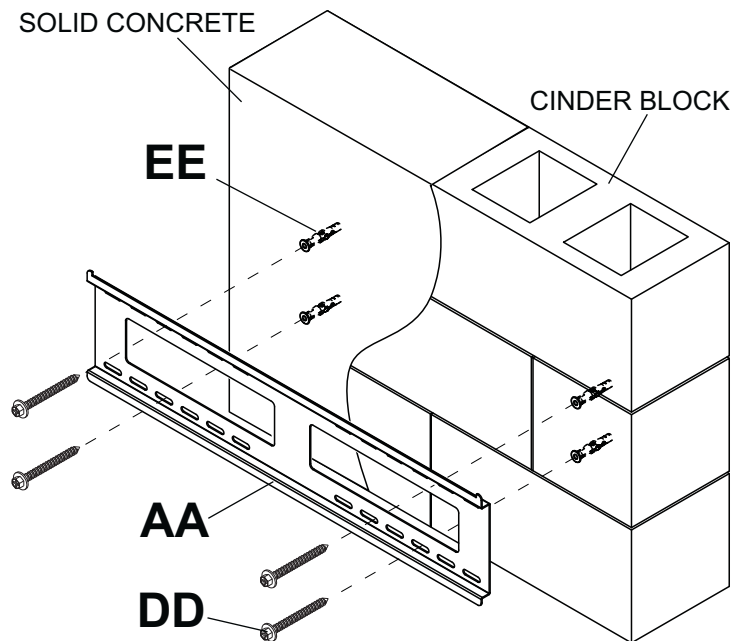
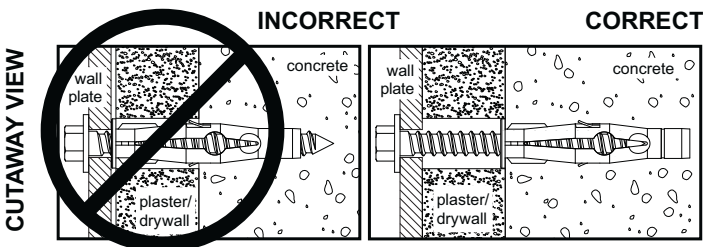
- When installing Peerless wall mounts on cinder block, verify that you have a minimum of 1-3/8" (35 mm) of actual concrete thickness in the hole to be used for the concrete anchors. Do not drill into mortar joints! Be sure to mount in a solid part of the block, generally 1" (25 mm) minimum from the side of the block. Cinder block must meet ASTM C-90 specifications. It is suggested that a standard electric drill on slow setting is used to drill the hole instead of a hammer drill to avoid breaking out the back of the hole when entering a void or cavity.
- Concrete must be 2000 psi density minimum. Lighter density concrete may not hold concrete anchor.
- Make sure that the wall will safely support four times the combined load of the equipment and all attached hardware and components.

- 1** Make sure that wall plate (AA) is level, use it as a template to mark four mounting holes. The top mounting hole should be 4.6" (117) above the desired screen center as shown in figure 1.1 on page 4. Drill four 5/16" (8 mm) dia. holes to a minimum depth of 2.5" (64 mm). Insert anchors (EE) in holes flush with wall as shown (right). Place wall plate over anchors and secure with #14 x 2.5" screws (DD). Level, then tighten all fasteners.



⚠ WARNING

- Tighten screws so that wall plate is firmly attached, but do not overtighten. Overtightening can damage screws, greatly reducing their holding power.
- Never tighten in excess of 80 in. • lb (9 N.M.).
- Always attach concrete expansion anchors directly to load-bearing concrete.
- Never attach concrete expansion anchors to concrete covered with plaster, drywall, or other finishing material. If mounting to concrete surfaces covered with a finishing surface is unavoidable, the finishing surface must be counterbored as shown below. Be sure concrete anchors do not pull away from concrete when tightening screws. If plaster/drywall is thicker than 5/8" (16 mm), custom fasteners must be supplied by installer (not evaluated by UL).



Attaching Tilt Brackets to Screen using Baffled Fastener Pack

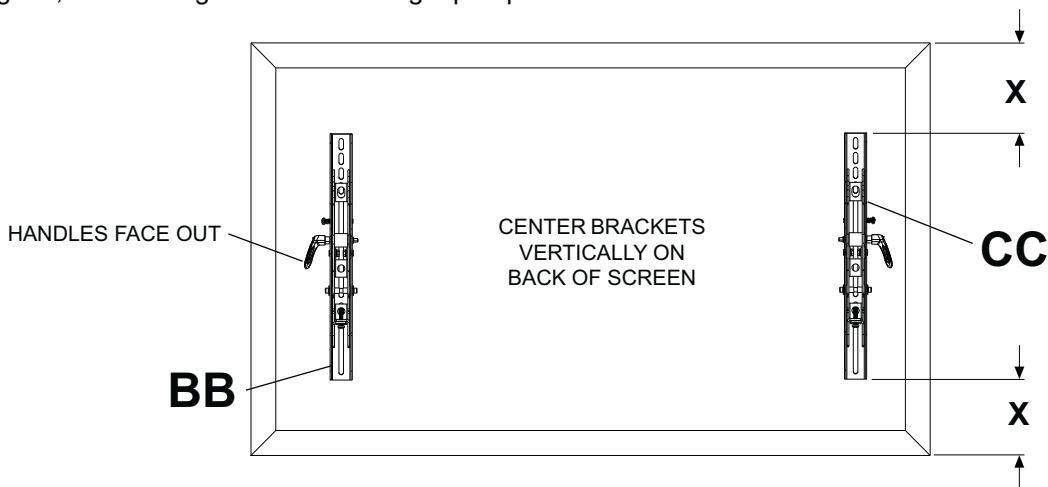
⚠ WARNING

- Tighten screws so adapter brackets are firmly attached. Do not tighten with excessive force. Overtightening can cause stress damage to screws, greatly reducing their holding power and possibly causing screw heads to become detached. Tighten to 40 in. • lb (4.5 N.M.) maximum torque.
- If screws don't get three complete turns in the screen inserts or if screws bottom out and bracket is still not tightly secured, damage may occur to screen or product may fail.

2 To prevent scratching the screen, set a cloth on a flat, level surface that will support the weight of the screen. Place screen face side down. Refer to screen manufacturers instructions or customer service, for removing any knobs, base, cover or screw(s) on the back of the screen to prepare mounting. These need to be removed to allow the tilt brackets to be attached. Select the small, medium, large or extra large screws from the baffled fastener pack then attach tilt brackets to screen following figure 2.1 or 2.2.

NOTE: Top and bottom mounting holes on screen must be used for attaching brackets.

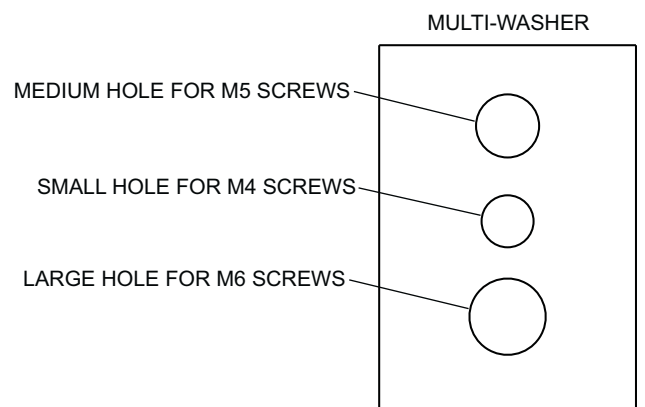
NOTE: Be sure to attach tilt brackets with handles facing outward as shown below. Verify that all holes are properly aligned, and then tighten screws using a phillips screwdriver.



Note: "X" dimensions should be equal.

Notes:

- The number of fasteners used will vary, depending upon the type of screen.
- Multi-washers and spacers may not be used, depending upon the type of screen.
- Use the corresponding hole in the multi-washer that matches your screw size as shown.

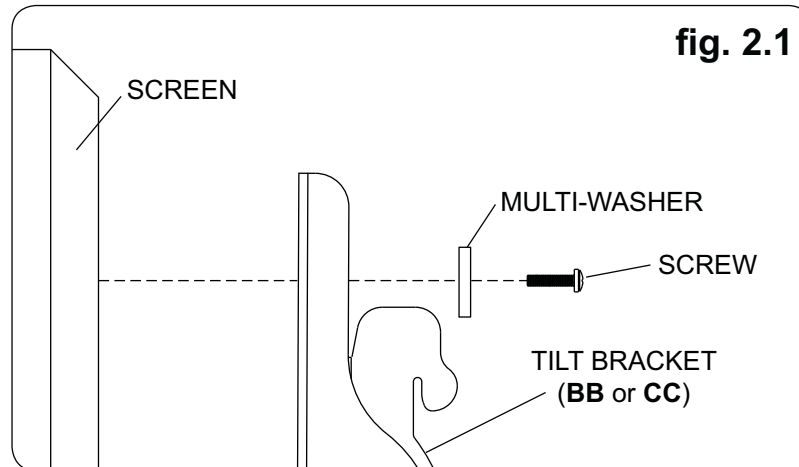


NOTE: For **flat back screens** proceed to step 2-1. For **bump-out or recessed back screen** skip to step 2-2.

For Flat Back Screen

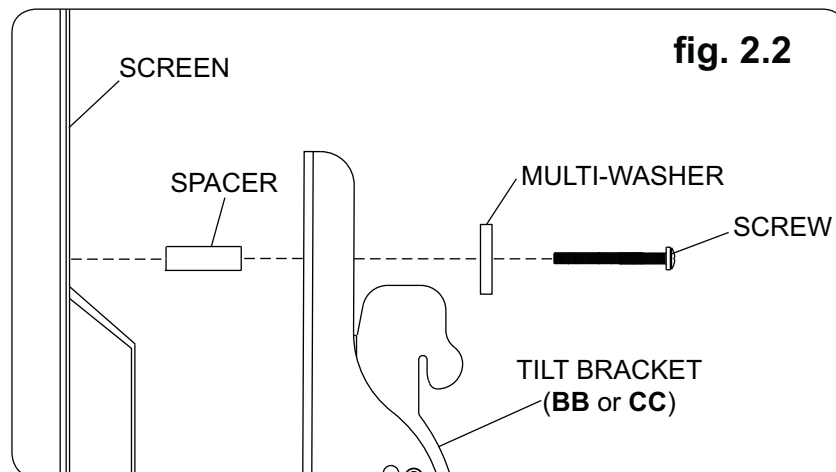
- 2-1** Begin with the shortest length screw, hand thread through multi-washer and tilt bracket into screen as shown below. Screw must make at least three full turns into the mounting hole and fit snug into place. Do not over tighten. If screw cannot make three full turns into the screen, select a longer length screw from the baffled fastener pack. Repeat for remaining mounting holes, level brackets and tighten screws.

NOTE: Spacers may not be used, depending upon the type of screen.



For Bump-out or Recessed Back Screen

- 2-2** Begin with longer length screw, hand thread through multi-washer, tilt bracket and spacer in that order into screen as shown below. Screw must make at least three full turns into the mounting hole and fit snug into place. Do not over tighten. If screw cannot make three full turns into the screen, select a longer length screw from the baffled fastener pack. Repeat for remaining mounting holes, level brackets and tighten screws.



Mounting and Removing Flat Panel Screen

⚠ WARNING

- Always use an assistant or mechanical lifting equipment to safely lift and position the flat panel screen.
- Do not tighten screws with excessive force. Overtightening can cause damage to mount. Tighten screws to 40 in. • lb (4.5 N.M.) maximum torque.
- Be careful not to pinch fingers when pushing screen from the bottom.

3 Tension Adjustment of Ratchet Handle: Adjust tension in tilt brackets (**BB & CC**) by rotating ratchet handle. **NOTE:** If obstruction prevents ratchet handle from rotating, pull handle out while turning will allow handle to reposition without tightening. Release and turn handle to tighten or loosen.

Mounting Screen: Ratchet handle must be in the up or down position or interference will occur while hooking tilt brackets to wall plate (**AA**). Slowly hook tilt brackets (**BB & CC**) onto wall plate (**AA**) and swing screen down as shown in fig. 3.1. Tilt bracket hooks must fully engage wall plate as shown in detail 1. Using phillips screw driver, turn safety screws on tilt brackets (**BB & CC**) clockwise till screw tip securely contacts wall plate as shown in cross section.

Screen Adjustment: Screen can be adjusted horizontally by loosening safety screws on tilt brackets (**BB & CC**) three full turns with phillips screw driver. Adjust screen as shown in fig. 3.2. Tighten safety screws on tilt brackets till screw tip securely contacts wall plate as shown in cross section.

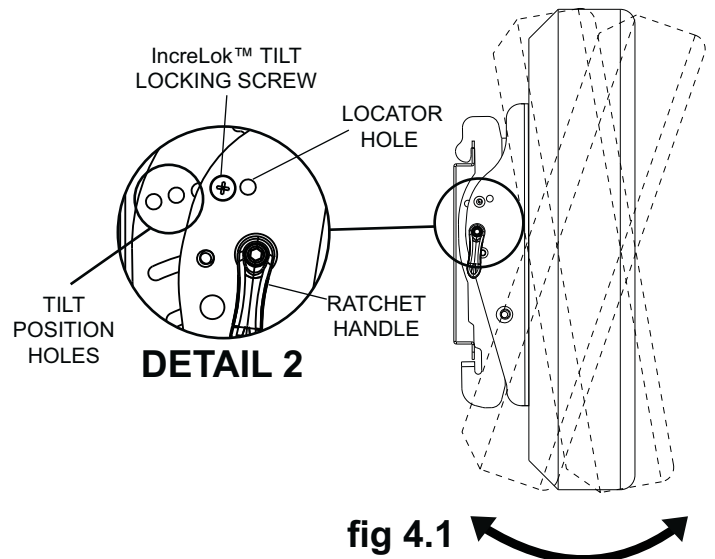
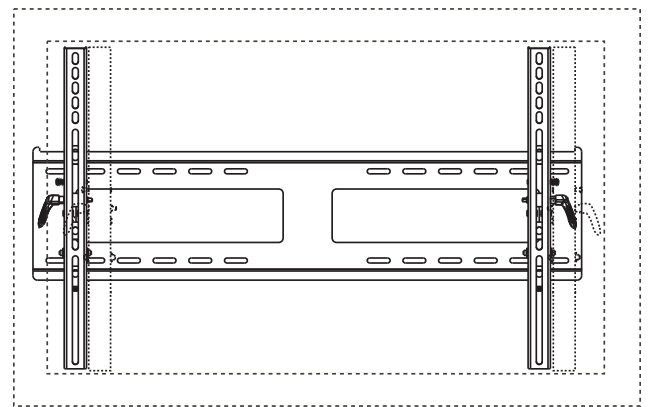
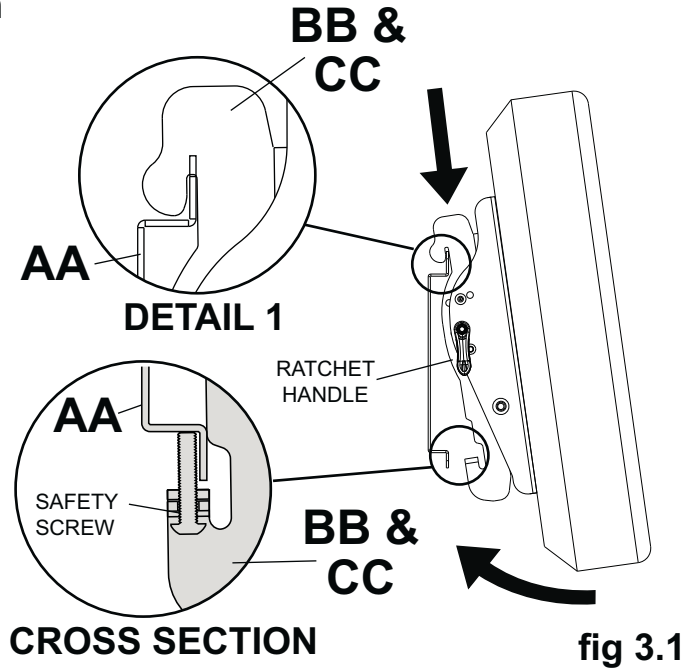
Removing Screen: To remove screen from mount, loosen safety screws, swing screen away from mount, and lift screen off of mount.

Adjusting the Tilt Angle of the Flat Panel Screen

4 For preset tilt angles use Increlok™ and for custom tilt angle use ratchet handle.

INCRELOK™: The screen can be locked into a pre-set tilt position of -5°, 0°, 5°, 10° or 15°. Use locator hole to find tilt position hole and tilt screen to align holes. Tighten IncreLok™ tilt locking screws on both tilt brackets to lock tilt as shown in detail 2.

Ratchet Handle: Loosen ratchet handle (refer to step 3 for tension adjustment of handle). Push or pull from top or bottom of screen to adjust tilt as shown in fig. 4.1. The tilt can be adjusted to a maximum of 15° forward or 5° backward.



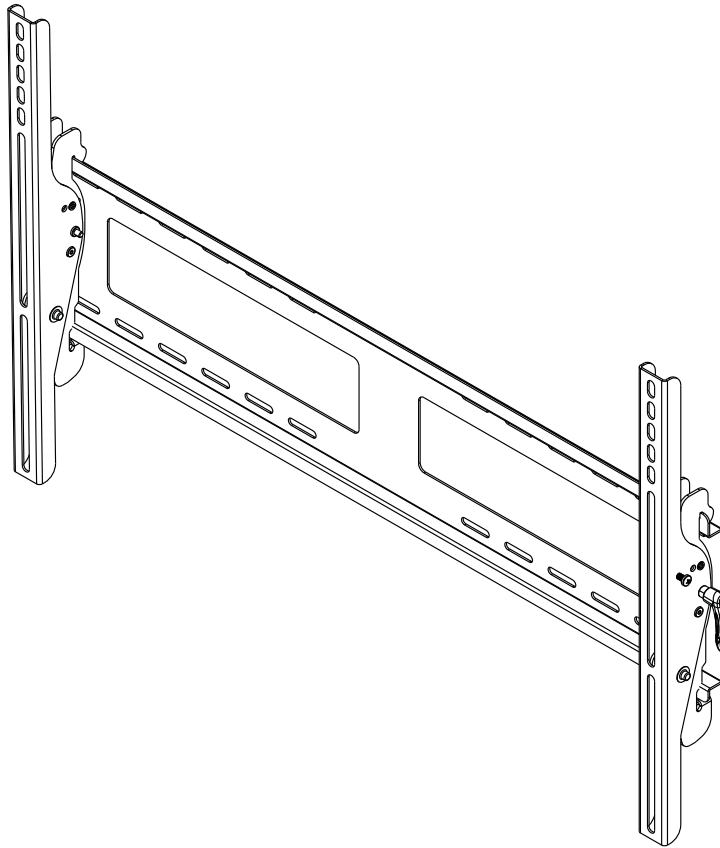
Instalación y montaje:

Soporte universal de pared plano con capacidad de inclinación para pantallas LCD y pantallas planas de plasma de 32" a 56" (81 - 142 cm)

Modelos: PT650, PWS320/BK



Máxima capacidad de carga: 175 lb (79 kg)



Características:

- El soporte universal sostiene pantallas con configuraciones de montaje de hasta 29.06" W x 17.67" H (738 mm W x 449 mm H)
- Sostiene el televisor a sólo 2.5" (64 mm) de la pared para proporcionar una instalación discreta
- El diseño abierto de la placa de pared permite más acceso a la pared y proporciona una amplia variedad de opciones para el manejo de cables
- Los soportes inclinables universales se enganchan con facilidad a la placa de pared para proporcionar una instalación rápida
- Inclinación ajustable hacia delante de hasta 15° y hacia atrás de hasta -5° para ver el televisor desde un ángulo óptimo
- Inclinación de un solo toque para permitir el ajuste sin esfuerzo
- El soporte inclinable universal preapretado permite ajustar el ángulo de inclinación con un solo movimiento sencillo
- La palanca de fijación fácil fija la posición de la pantalla con seguridad sin la necesidad de usar herramientas
- La función opcional IncreLokTM ofrece ángulos de inclinación predeterminados en incrementos de -5°, 0°, 5°, 10° y 15°
- Incluye el paquetes de sujetadores Sorted-For-YouTM para instalaciones en montantes de madera, concreto y bloques de hormigón de escorias
- Ajuste horizontal opcional de hasta 8" (203 mm) (dependiendo del modelo de la pantalla) para la colocación perfecta de la pantalla

NOTA: Lea la hoja de instrucciones completa antes de comenzar la instalación y el ensamblaje.

⚠ ADVERTENCIA

- No comience a instalar su producto de Peerless hasta haber leído y entendido las instrucciones y las advertencias contenidas en la Hoja de Instalación. Si tiene alguna pregunta acerca de cualquiera de las instrucciones o las advertencias, por favor, llame a Servicio al Cliente de Peerless al 1-800-865-2112 si está en EE. UU. Si es un cliente internacional, por favor, comuníquese con su distribuidor local.
- Este producto sólo debe ser instalado por una persona que tenga una buena aptitud mecánica, que tenga experiencia en construcción básica de edificios y que entienda estas instrucciones en su totalidad.
- Asegúrese de que la superficie de apoyo sostendrá, con seguridad, la carga combinada del equipo y todos los fijadores y componentes.
- Nunca sobrepase la capacidad máxima de soportar carga. Vea la página 9.
- Si va a instalar el producto en una pared con montantes de madera, asegúrese de que los tornillos de montaje estén anclados en el centro de los montantes. Se recomienda utilizar un localizador de montantes de "borde a borde".
- Siempre cuente con la ayuda de un asistente o utilice un equipo mecánico de izar para levantar y colocar el equipo con más seguridad.
- Apriete los tornillos con firmeza, pero no en exceso. Apretarlos en exceso puede dañar los artículos y puede disminuir significativamente su fuerza de fijación.
- Este producto está diseñado para uso en interiores solamente. Utilizar este producto en exteriores podría causar fallos del producto y lesiones a individuos.
- Este producto fue diseñado para ser instalado en paredes con la siguiente construcción solamente:

CONSTRUCCIÓN DE LA PARED

- Montante de madera
- Viga de madera
- Concreto macizo
- Bloque de hormigón de escorias
- Montante de metal
- Ladrillo
- ¿Otra superficie o no está seguro?

ACCESORIOS NECESARIOS

- Incluido
- Incluido
- Incluido
- Incluido
- No lo instale excepto con el juego de accesorios de Peerless para montantes de metal - ACC415; (no evaluados por UL)
- Comuníquese con un profesional calificado (no evaluados por UL)
- Comuníquese con un profesional calificado

Herramientas necesarias para el ensamblaje

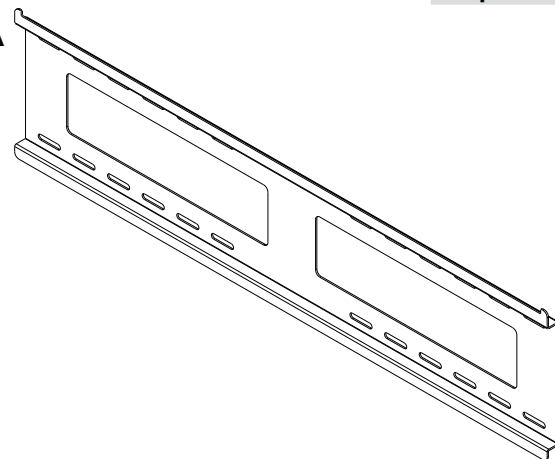
- localizador de montantes (se recomienda uno de "borde a borde")
- destornillador phillips
- taladro
- broca de 5/16" (8 mm) para paredes de concreto y de bloque de hormigón de escorias
- broca de 5/32" (4 mm) para paredes con montantes de madera
- nivel

Contenido

Lista de piezas.....	11
Instalación en una pared con montantes de madera dobles.....	12
Instalación en una pared de concreto macizo o de bloques de hormigón de escorias.....	13
Instalación de los soportes inclinables	14
Instalación y desinstalación de la pantalla plana	16

Antes de comenzar, asegúrese de que todas las partes ilustradas estén con el producto.

AA

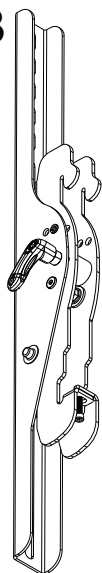


Lista de piezas

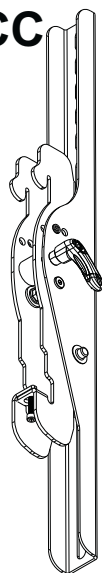
Descripción	Cantidad	N.º de pieza
AA placa de pared	1	201-P1288
BB soporte inclinable derecho	1	201-P1469
CC soporte inclinable izquierdo	1	201-P1471
DD tornillo para madera de 14 x 2.5"	4	5S1-015-C03
EE anclajes para concreto	4	590-0320

Algunas partes pueden diferir un poco de las ilustradas.

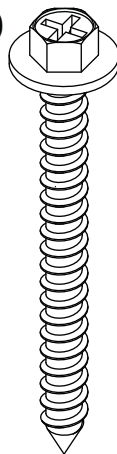
BB



CC



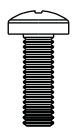
DD



EE



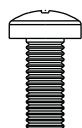
Sujetadores para los soportes inclinable



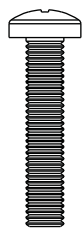
M4 x 12 mm (6)
504-9013



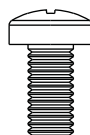
M4 x 25 mm (4)
504-1015



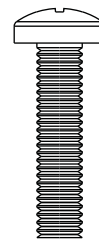
M5 x 12 mm (4)
520-1027



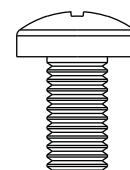
M5 x 25 mm (4)
520-9543



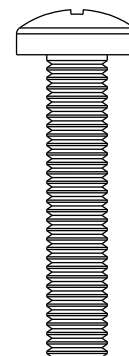
M6 x 12 mm (4)
520-1128



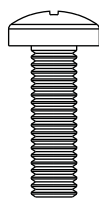
M6 x 25 mm (4)
520-1208



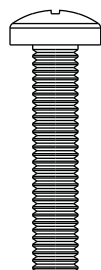
M8 x 16 mm (6)
520-9257



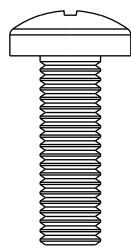
M8 x 40 mm (4)
520-1136



M6 x 20 mm (4)
520-9402



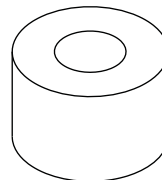
M6 x 30 mm (4)
510-9109



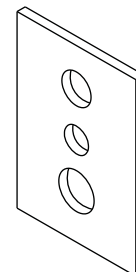
M8 x 25 mm (4)
520-1031



I.D. .22" (5.6 mm) (4)
540-1057



I.D. .34" (8.7 mm) (4)
540-1059



arandela
múltiple (6)
580-1036

Instalación en una pared con montantes de madera dobles

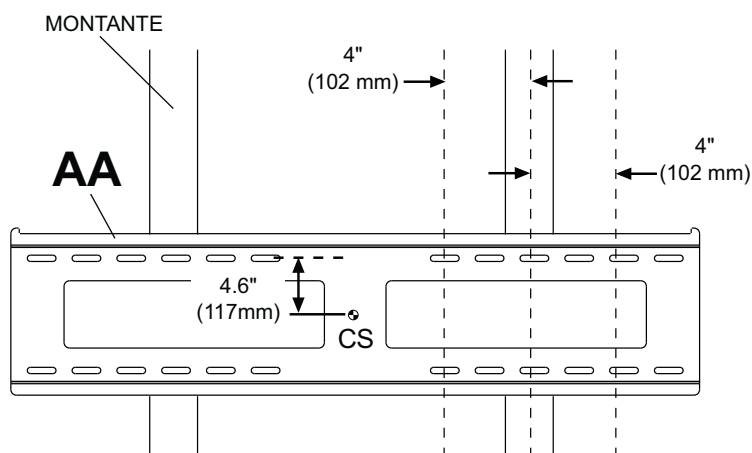
⚠ ADVERTENCIA

- El instalador debe verificar que la superficie de apoyo sea capaz de soportar firmemente la carga combinada del equipo y todos los herrajes y componentes.
- Apriete los tornillos para madera de tal modo que la placa de apoyo quede firmemente sujeta, pero no apriete en exceso. El apriete excesivo puede dañar los tornillos, reduciendo enormemente su fuerza de fijación.
- Nunca apriete más de 80 pulg-lb (9 N•m).
- Asegúrese de que los tornillos de montaje queden bien fijos en el centro del montante. Se recomienda usar un localizador de montantes de "borde a borde".
- Los herrajes suministrados son para fijar el soporte a través de tabique de yeso-cartón o yeso de espesor estándar a los montantes de madera. Los instaladores son responsables de suministrar los herrajes para otros tipos de situaciones de montaje (no evaluados por UL).

1 Utilice un localizador de montantes para localizar los bordes de los montantes. Se recomienda utilizar un localizador de montantes de "borde a borde". Tomando los bordes como punto de referencia, trace una línea vertical por el centro de cada montante. Coloque la placa de pared contra la pared para utilizarla como plantilla. Las ranuras de montaje superiores deben estar a 4.6" (117 mm) sobre el punto donde quiere que quede el centro de la pantalla, como se muestra en la figura 1.1. Nivele la placa y marque el centro de los cuatro agujeros de montaje. Asegúrese de que los agujeros de montaje estén sobre las líneas que trazó por el centro de los montantes. Taladre cuatro agujeros de 5/32" (4 mm) de diámetro y 2.5" (64 mm) de profundidad. Asegúrese de que la placa esté nivelada, fíjela utilizando cuatro tornillos para madera de 14 x 2.5" (DD), como se muestra en la figura 1.2.

NOTA: La placa de apoyo puede instalarse hasta 4" (102 mm) desplazada del centro, como se muestra en la figura 1.1.

Pase al paso 2.



CS = centro de la pantalla

fig. 1.1

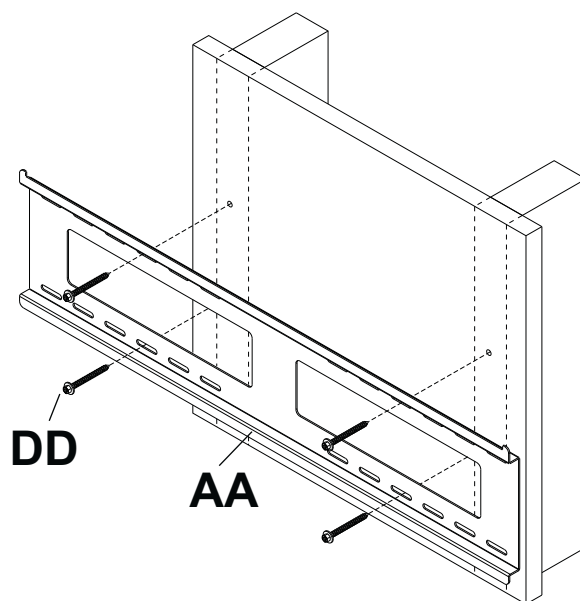
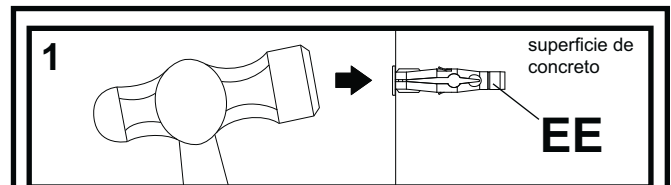


fig. 1.2

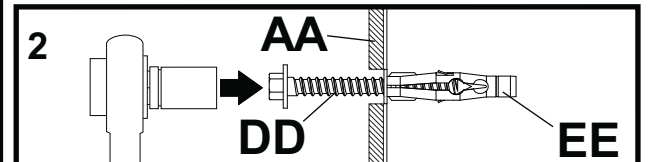
⚠ ADVERTENCIA

- Cuando instale soportes de pared Peerless en bloques de hormigón de escorias, verifique que tengan un mínimo de 1-3/8" (35 mm) de superficie efectiva de concreto en el agujero que va a utilizar para los anclajes de concreto. ¡No perforo en las juntas de mortero! Asegúrese de instalar el soporte en una parte sólida del bloque, generalmente a un mínimo de 1" (25 mm) del costado del bloque. El bloque de hormigón de escorias debe ser de conformidad con las especificaciones C-90 de ASTM. Se sugiere taladrar el agujero con un taladro eléctrico normal en velocidad lenta en vez de un taladro percutor para evitar romper la parte trasera del agujero al entrar en un espacio o cavidad.
- El concreto debe tener una densidad mínima de 2000 psi. Un concreto menos denso podría no ser capaz de sujetar el anclaje para concreto.
- El instalador debe verificar que la superficie de apoyo sea capaz de soportar firmemente la carga combinada del equipo y todos los herrajes y componentes.

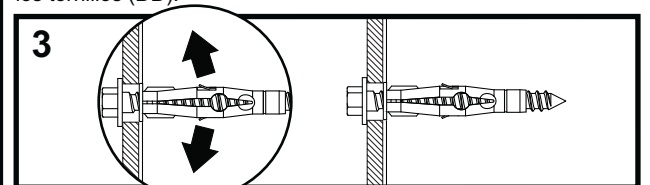
- 1** Asegúrese de que la placa de pared (AA) esté nivelada y utilícela como plantilla para marcar cuatro agujeros de montaje. El agujero de montaje superior debe estar a 4.6" (117 mm) sobre el punto donde quiere que quede el centro de la pantalla, como se muestra en la figura 1.1, de la página 12. Taladre cuatro agujeros de 5/16" (8 mm) de diámetro con una profundidad mínima de 2.5" (64 mm). Inserte los anclajes (EE) en los agujeros a ras con la pared, como se muestra (a la derecha). Coloque la placa de pared sobre los anclajes y fíjela con los tornillos de 14 x 2.5" (DD). Nivele y apriete todos los sujetadores.



Perfore los agujeros y después inserte los anclajes (EE).



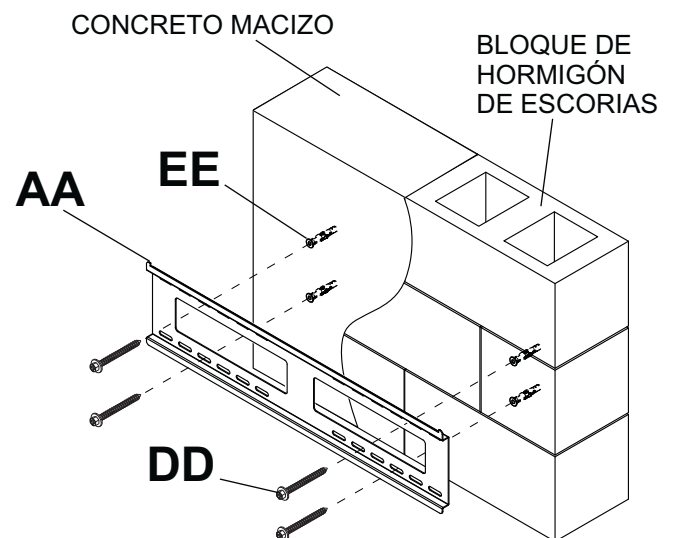
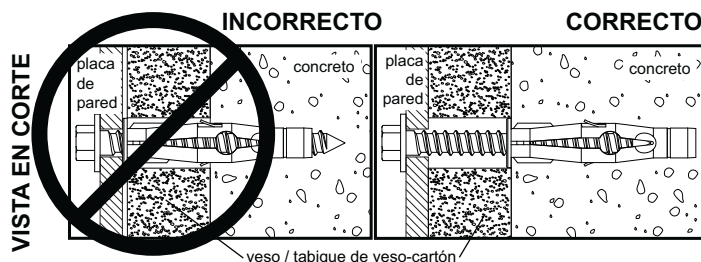
Coloque la placa (AA) sobre los anclajes (EE) y fíjela con los tornillos (DD).



Apriete todas las fijaciones.

⚠ ADVERTENCIA

- Apriete los tornillos de tal modo que la placa de apoyo quede firmemente sujeta, pero no los apriete en exceso. El apriete excesivo puede dañar los tornillos, reduciendo enormemente su fuerza de fijación.
- Nunca apriete más de 80 pulg-lb (9 N•m).
- Siempre fije los anclajes de expansión directamente al concreto que soporta carga.
- Nunca fije los anclajes de expansión a una pared de concreto recubierta con yeso, tabiques de yeso-cartón u otro material de acabado. Si el montaje a superficies de concreto recubiertas con una superficie de acabado es inevitable, será necesario escañar el acabado, como se muestra más abajo. Asegúrese de que los anclajes de concreto no se alejen del concreto al apretar los tornillos. Si el grosor de la pared de yeso/tabique de yeso-cartón es mayor que 5/8", el instalador deberá suministrar fijaciones especiales (no evaluados por UL).



Instalación de los soportes inclinables

⚠ ADVERTENCIA

- Apriete los tornillos de tal modo que los soportes adaptadores queden firmemente sujetos. No apriete aplicando demasiada fuerza. El apriete excesivo puede causar daño por esfuerzo a los tornillos, reduciendo enormemente su fuerza de fijación y causando el posible desprendimiento de sus cabezas. Apriete los tornillos a 40 pulg-lb (4.5 N•m) de par torsor máximo.
- Si los tornillos no pueden atornillarse con tres vueltas completas en los insertos de la pantalla, o si los tornillos topan fondo y la placa todavía no está firmemente sujeta, se podría dañar la pantalla o causar la falla del producto.

- 2** Para evitar rayar la pantalla, coloque un trapo sobre una superficie plana y nivelada que soporte el peso de la pantalla. Coloque la pantalla boca abajo. Si la pantalla tiene perillas en la parte trasera, quítelas para poder fijar los soportes adaptadores. Fije los soportes adaptadores en la parte trasera de la pantalla utilizando la combinación adecuada de tornillos, arandelas y espaciadores, como se muestra en la figura 2.1 o en la figura 2.2.

NOTA: Siempre se tienen que usar los agujeros superiores y los inferiores.

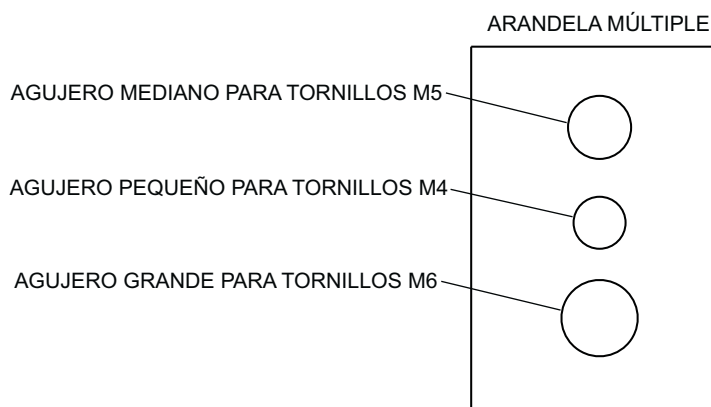
NOTA: Asegúrese de que fija los soportes con los mangos hacia fuera, como se muestra abajo. Verifique que todos los agujeros estén debidamente alineados y luego apriete los tornillos usando un destornillador phillips.



Nota: Las dimensiones "X" deben ser iguales.

Notas:

- La cantidad de fijaciones utilizada variará según el tipo de pantalla.
- Es posible que no tenga que usar las arandelas múltiples y los espaciadores, dependiendo del tipo de pantalla.
- Use el agujero correspondiente en la arandela múltiple que coincida con el tamaño de su tornillo, como se muestra.

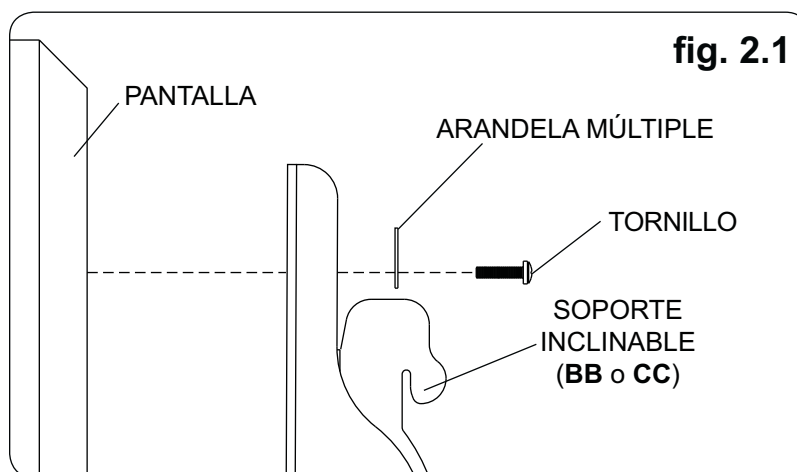


NOTA: En el caso de los televisores que tienen la **parte posterior plana**, pase al paso 2-1. En el caso de los televisores que tienen la **parte posterior abultada o empotrada**, pase al paso 2-2.

Instalación de un televisor que tiene la parte posterior plana

- 2-1** Comience con uno de los tornillos más cortos, enrósquelo, con la mano, a través de la arandela múltiple y el soporte adaptador a la parte posterior de la pantalla, como se muestra abajo. El tornillo debe dar, por lo menos, tres vueltas completas dentro del agujero de instalación y debe quedar ajustado en su lugar. No apriete los tornillos en exceso. Si el tornillo no puede dar tres vueltas completas al entrar en la parte posterior de la pantalla, seleccione un tornillo más largo de los sujetadores identificados y clasificados en las divisiones del empaque plástico. Siga el mismo procedimiento con los agujeros de instalación restantes, nivele los soportes y apriete los tornillos.

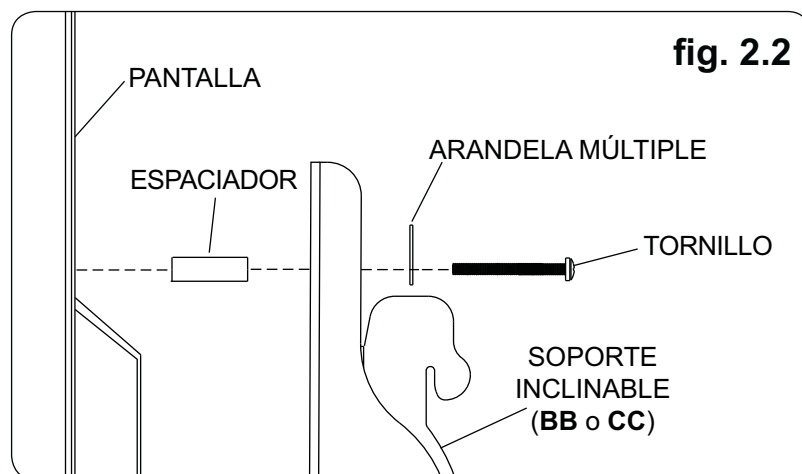
NOTA: Es posible que no necesite usar los espaciadores, dependiendo del tipo de pantalla.



Si tiene alguna pregunta, por favor, llame a Servicio al Cliente de Peerless al **1-800-865-2112**.

Instalación de un televisor que tiene la parte posterior abultada o empotrada

- 2-2** Comience con uno de los tornillos más largos, enrósquelo, con la mano, a través de la arandela múltiple, el soporte adaptador y el espaciador, en ese orden, a la parte posterior de la pantalla, como se muestra abajo. El tornillo debe dar, por lo menos, tres vueltas completas dentro del agujero de instalación y debe quedar ajustado en su lugar. No apriete los tornillos en exceso. Si el tornillo no puede dar tres vueltas completas al entrar en la parte posterior de la pantalla, seleccione un tornillo más largo de los sujetadores identificados y clasificados en las divisiones del empaque plástico. Siga el mismo procedimiento con los agujeros de instalación restantes, nivele los soportes y apriete los tornillos.



Si tiene alguna pregunta, por favor, llame a Servicio al Cliente de Peerless al **1-800-865-2112**.

Instalación y desinstalación de la pantalla plana

⚠ ADVERTENCIA

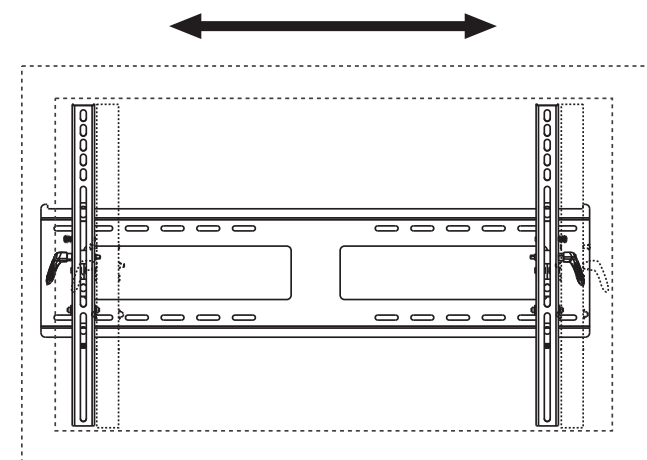
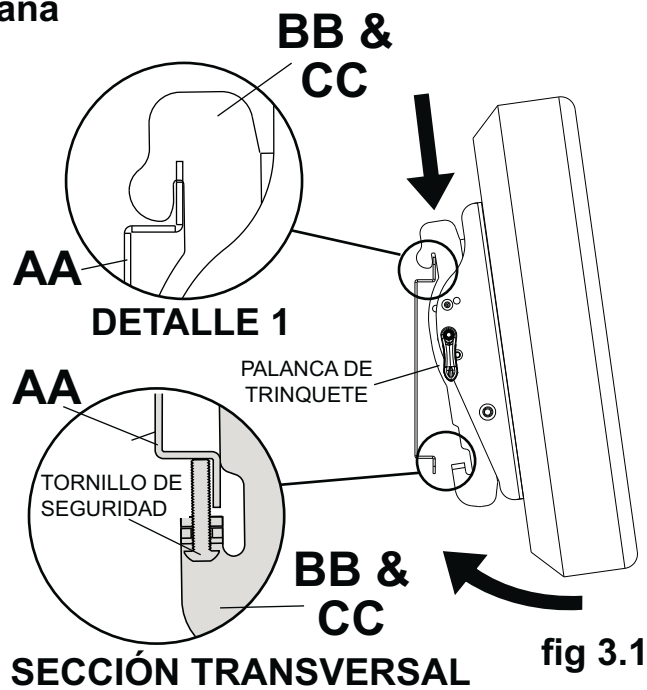
- Siempre cuente con un asistente o con un equipo mecánico de izar para levantar y colocar los televisores de pantalla plana con más seguridad.
- No apriete los tornillos con fuerza excesiva. Apretarlos en exceso puede dañar el soporte. Apriete los tornillos a un máximo de 40 pulg-lb (4.5 N•m) de par torsor.
- Tenga cuidado de no pincharse los dedos cuando empuje palanca de la pantalla por la parte inferior.

3 Ajuste tensor de la palanca de trinquete: Ajuste la tensión de los soportes inclinables (**BB** y **CC**) rotando la palanca de trinquete. **NOTA:** Si una obstrucción le impide rotar la palanca de trinquete, puede tirar de la palanca hacia fuera a la vez que le da vuelta para poder colocarla en otra posición sin apretar los soportes. Al dejar de tirar la palanca hacia fuera, la misma se volverá a pegar del televisor en la posición que permite apretar o aflojar los soportes.

Instalar la pantalla: La palanca de trinquete tiene que estar en la posición hacia arriba o hacia abajo o estorbará cuando enganche los soportes inclinables a la placa de pared (**AA**). Enganche los soportes inclinables (**BB** y **CC**) lentamente a la placa de pared (**AA**) y gire la pantalla hacia abajo, como se muestra en la figura 3.1. Los ganchos de los soportes inclinables tienen que entrar completamente en la placa de pared, como se muestra en el detalle 1. Usando un destornillador phillips, déles vuelta los tornillos de seguridad de los soportes inclinables (**BB** y **CC**) en el sentido de las manecillas del reloj hasta que la punta del tornillo toque firmemente la placa de pared, como se muestra en la sección transversal.

Ajuste de la pantalla: La pantalla se puede ajustar horizontalmente aflojando los tornillos de seguridad de los soportes inclinables (**BB** y **CC**) tres vueltas completas. Ajuste la pantalla, como se muestra en la figura 3.2. Apriete los tornillos de seguridad de los soportes inclinables hasta que la punta de los tornillos toque firmemente la placa de pared, como se muestra en la sección transversal.

Quitar la pantalla: Para quitar la pantalla del soporte, afloje los tornillos de seguridad, gire la pantalla retirándola del soporte y levántela para sacarla del soporte.

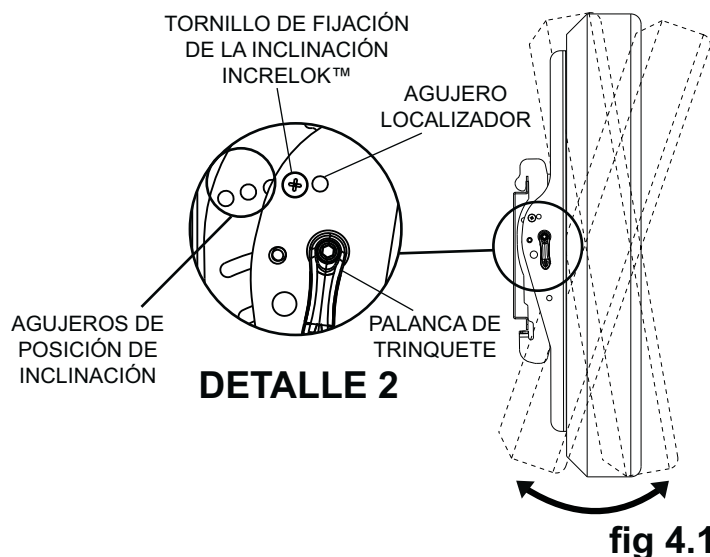


Ajustar el ángulo de inclinación de la pantalla

4 Para colocar la pantalla en ángulos de inclinación predeterminados, utilice la función de IncreLok™; para ajustar la inclinación como guste, utilice la palanca de trinquete.

INCRELOK™: La pantalla se puede ajustar a ángulos de inclinación predeterminados de -5°, 0°, 5°, 10° ó 15°. Use el agujero localizador para encontrar el agujero de inclinación e incline la pantalla para alinear los agujeros. Apriete los tornillos de fijación de la inclinación IncreLok™ de ambos soportes inclinables para fijar la inclinación, como se muestra en el detalle 2.

Palanca de trinquete: Afloje la palanca de trinquete (vea el paso 3 para aprender sobre el ajuste tensor de la palanca). Mueva la parte superior o la parte inferior de la pantalla tirando de la misma o empujándola para ajustar la inclinación, como se muestra en la figura 4.1. La inclinación se puede ajustar hasta un máximo de 15° hacia delante o de 5° hacia atrás.

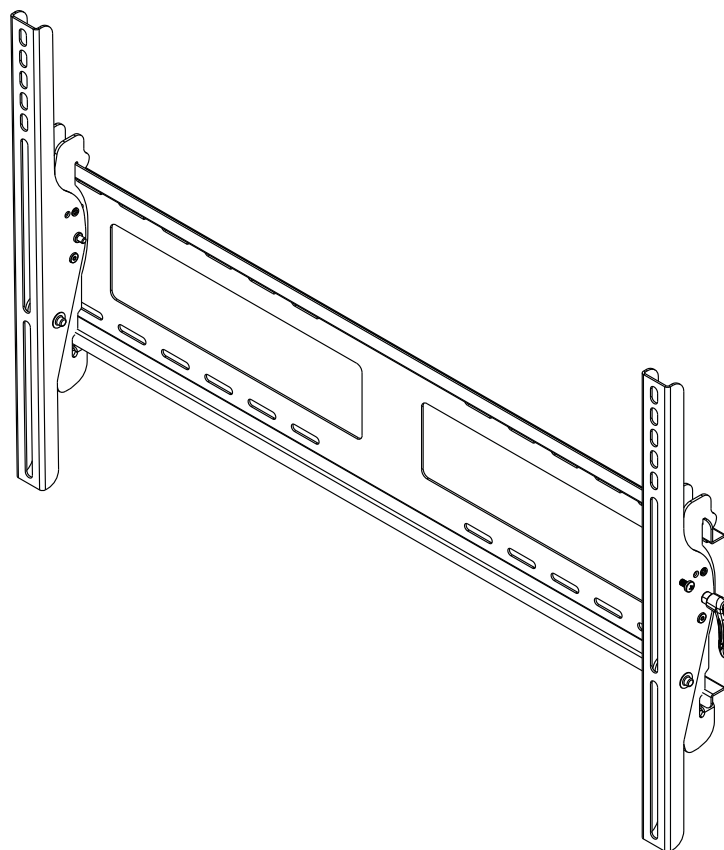


Installation et assemblage: Supports muraux inclinables universels ParamountTM pour écrans plats ACL et plasma de 32 à 56 po (81 - 142 cm)

Modèles: PT650, PWS320/BK



Capacité de charge maximale
préconisée: 175 lb (79 kg)



Caractéristiques:

- Le support universel convient aux écrans avec configuration de trous jusqu'à 29,06 po de largeur et 17,67 po de hauteur (738 mm L x 449 mm H)
- Écran maintenu à 2,5 po (64mm) seulement du mur pour une installation discrète.
- La conception de la plaque murale ouverte permet un meilleur accès au mur et des options de gestion du câblage plus nombreuses
- Les supports inclinables s'accrochent facilement à la plaque murale pour une installation rapide
- Inclinaison réglable jusqu'à 15° vers l'avant et jusqu'à -5° vers l'arrière pour un angle de visionnement optimal
- Inclinaison par simple appui sur une touche pour un réglage facile
- Le support inclinable universel pré-tendu permet de régler l'angle d'inclinaison en un seul mouvement facile.
- La poignée verrouillable bloque facilement l'écran en position sans aucun outil
- La fonction IncreLok en option permet de régler l'inclinaison par incréments de -5°, 0°, 5°, 10° et 15°
- Inclut un jeu de fixations Sorted-For-YouTM pour l'installation sur des montants en bois, du béton ou du bloc de béton
- Réglage horizontal en option jusqu'à 8 po (203 mm) (en fonction du modèle d'écran) pour un positionnement parfait de l'écran

REMARQUE: lisez entièrement la fiche d'instructions avant de commencer l'installation et l'assemblage.

▲ AVERTISSEMENT

- Ne commencez pas à installer votre produit Peerless avant d'avoir lu et assimilé les instructions et les avertissements contenus dans cette fiche d'installation. Pour toute question concernant les instructions ou les avertissements, veuillez appeler le service à la clientèle de Peerless au 1-800-865-2112; tous les clients internationaux sont priés de contacter leur distributeur local.
- Ce produit doit être installé uniquement par quelqu'un possédant une bonne aptitude à la mécanique, une expérience de la construction immobilière et ayant bien compris ces instructions.
- Assurez-vous que la surface de support puisse soutenir sans danger la charge totale de l'équipement ainsi que des pièces et composants qui y sont attachés.
- Ne dépassez jamais la capacité de charge maximum. Reportez-vous à la page 17.
- Lors d'une installation sur un mur à montants en bois, assurez-vous que les vis de montage sont ancrées au centre des montants. L'utilisation d'un localisateur de montants « bord à bord » est fortement recommandée.
- Pour lever et positionner l'équipement en toute sécurité, faites-vous toujours aider par une autre personne ou utilisez un dispositif de levage mécanique.
- Serrez fermement les vis, mais sans excès. Un serrage excessif peut endommager les composants et en réduire considérablement la capacité de support.
- Ce produit est conçu uniquement pour un usage intérieur. L'utilisation de ce produit à l'extérieur peut causer une défaillance du produit et des blessures corporelles.
- Ce produit a été conçu uniquement pour une installation sur les types de murs ci-dessous :

TYPE DE MUR

PIÈCES DE FIXATION REQUISES

- | | |
|-----------------------------------|--|
| • Montant en bois | Incluses |
| • Poutre en bois | Incluses |
| • Béton plein | Incluses |
| • Bloc de béton de mâchefer | Incluses |
| • Montant métallique | Ne pas installer sur ce type de mur sauf à l'aide de l'ensemble d'accessoires Peerless pour montants métalliques - ACC415; (non évalué UL) |
| • Brique | Contactez un professionnel qualifié (non évalué UL) |
| • Autre, ou vous n'êtes pas sûr ? | Contactez un professionnel qualifié |

Outils nécessaires au montage

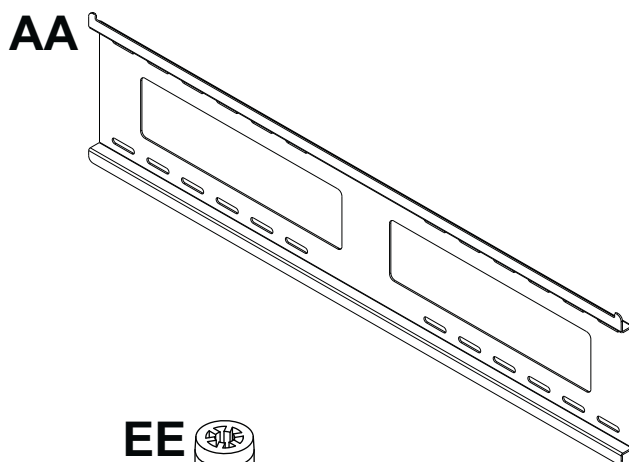
- localisateur de montants (un localisateur de montants « bord à bord » est recommandé)
- tournevis phillips
- perceuse
- foret de 5/32 po (4 mm) pour les murs à montants en bois
- foret de 5/16 po (8 mm) pour les murs à block de béton
- niveau

Table des matières

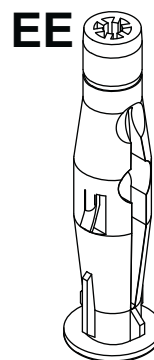
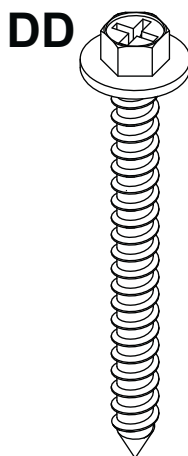
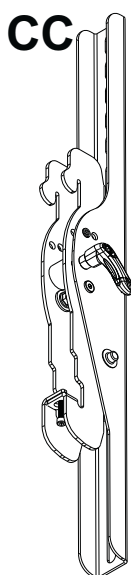
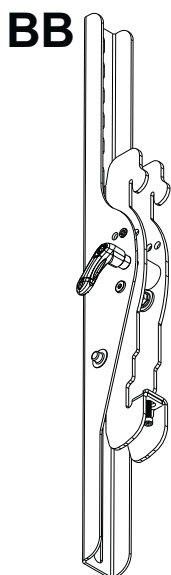
Liste des pièces.....	19
Installation sur un mur à doubles montants en bois	20
Installation sur du béton plein ou un bloc de béton de mâchefer	21
Installation des support inclinables.....	22
Installation des l'écran plat sur la plaque murale.....	24

Avant de commencer, veuillez à ce que toutes les pièces énumérées soient incluses.

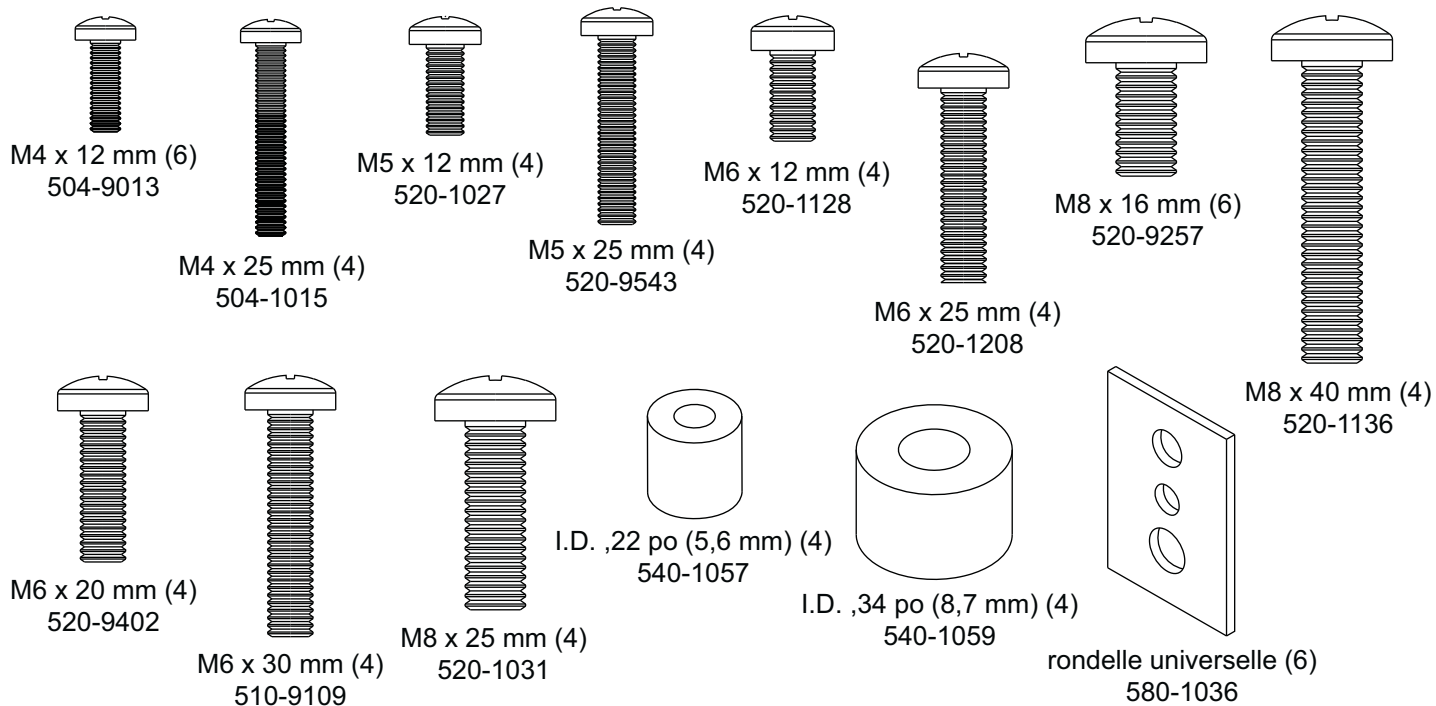
Liste des pièces		
Description	Qté	Référence des pièces
AA plaque murale	1	201-P1288
BB support inclinable droit	1	201-P1469
CC support inclinable gauche	1	201-P1471
DD vis à bois no 14 x 2,5 po	4	5S1-015-C03
EE chevilles d'ancrage pur béton	4	590-0320



Les pièces peuvent différer légèrement de l'illustration.



Fixations du support inclinables



Installation sur un mur à doubles montants en bois

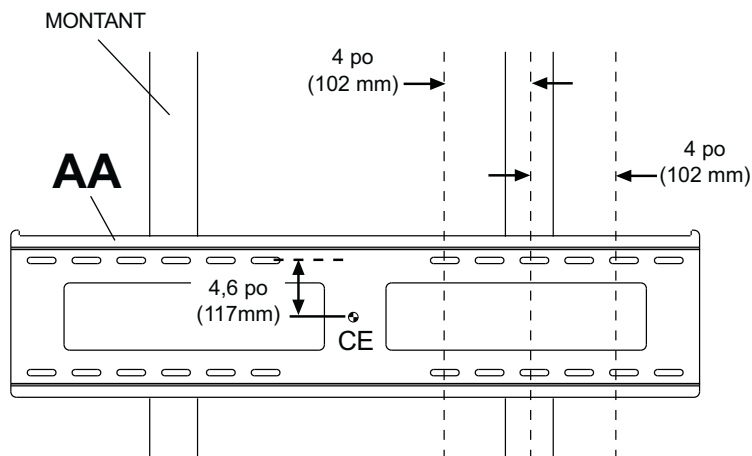
⚠ AVERTISSEMENT

- L'installateur doit s'assurer que la surface de support pourra soutenir sans danger la charge combinée de l'équipement, de toute sa visserie et de tous ses composants.
- Serrez les vis à bois de manière que la plaque murale soit fermement fixée, mais sans excès. Un serrage excessif peut endommager les vis et en réduire considérablement le pouvoir de maintien.
- Ne serrez jamais à plus de 9 Nm (80 po-lb).
- Assurez-vous que les vis de montage sont ancrées au centre des montants. L'usage d'un localisateur de montants « bord à bord » est fortement conseillé.
- La visserie est fournie pour fixer la monture à travers une cloison sèche ou du plâtre d'épaisseur standard et dans des montants en bois. Il appartient aux installateurs de fournir la visserie nécessaire pour d'autres types de situations (non évalué UL).

1 Utilisez un localisateur de montants pour repérer les bords des montants. L'utilisation d'un localisateur de montants " bord à bord " est fortement recommandée. Après avoir repéré les bords, tracez une ligne verticale le long du centre de chaque montant. Posez la plaque murale sur le mur et utilisez-la comme gabarit. Les fentes de montage supérieures doivent être situées à 4,6 po (117 mm) au-dessus de l'endroit souhaité pour le centre de l'écran comme illustré à la figure 1.1. Mettez la plaque à niveau et marquez le centre des quatre trous de fixation. Veillez à ce que les trous de fixation soient sur la ligne médiane du montant. Percez quatre trous de 5/32 po (4 mm) de dia. et de 2,5 po (64 mm) de profondeur. Veillez à ce que la plaque murale soit de niveau et fixez-la à l'aide de quatre vis à bois n° 14 x 2,5 po (DD) comme illustré à la figure 1.2.

REMARQUE: La plaque murale peut être décentrée de jusqu'à 4 po (102 mm) comme illustré à la figure 1.1.

Passez à l'étape 2.



CE = centre de l'écran

fig. 1.1

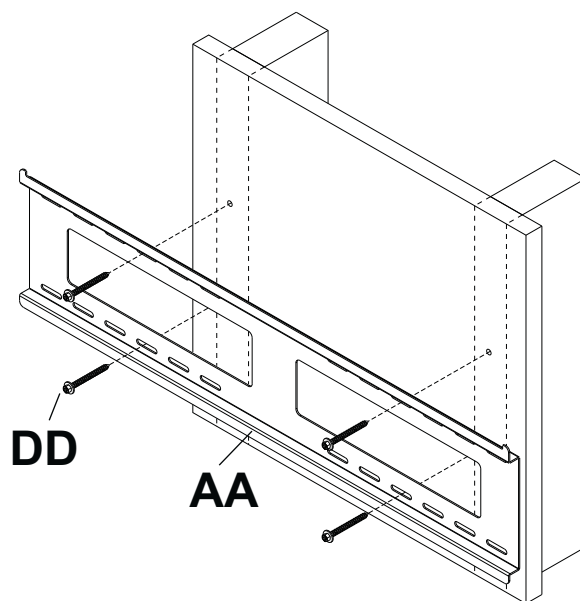


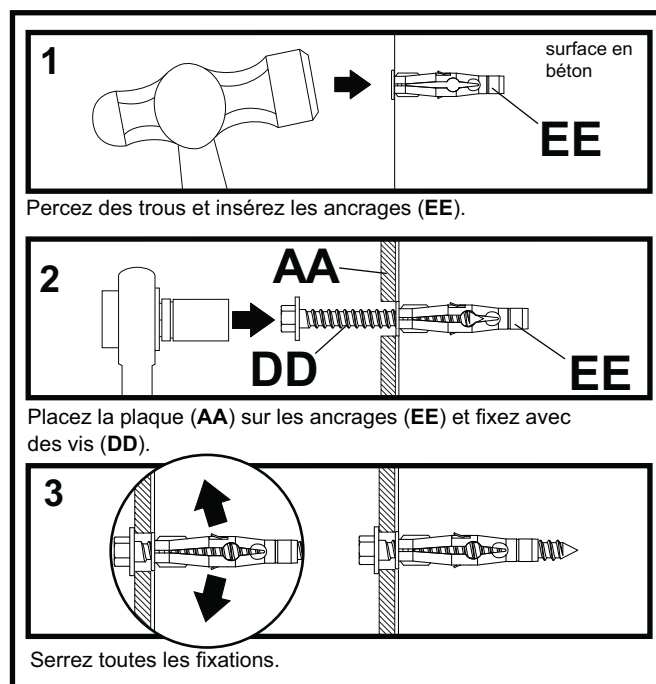
fig. 1.2

Installation sur du béton plein ou un bloc de béton de mâchefer

⚠ AVERTISSEMENT

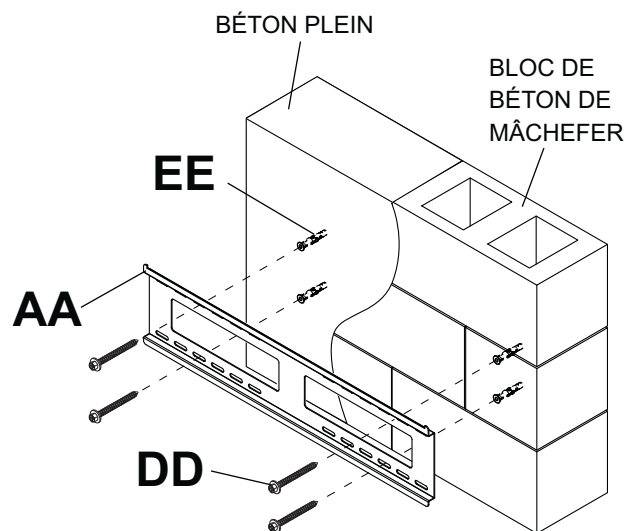
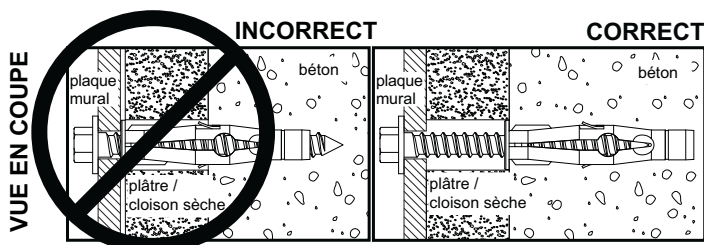
- Si vous installez des montures murales Peerless sur un bloc de béton de mâchefer, vérifiez que vous disposez d'une épaisseur de béton d'au moins 3,4 cm (1 3/8 po) dans le trou destiné aux ancrages de béton. Ne percez pas dans les joints de mortier ! Veillez à effectuer le montage dans une partie pleine du bloc, généralement à au moins 2,5 cm (1 po) du côté du bloc. Le bloc de béton de mâchefer doit être conforme aux spécifications de l'ASTM C-90. Pour percer le trou, il est conseillé d'utiliser une perceuse électrique standard sur un réglage bas au lieu d'un marteau perforateur, afin d'éviter de briser la partie arrière du trou lorsque vous pénétrez un vide ou une cavité.
- Le béton doit avoir une densité minimum de 2 000 psi. Un béton de densité moindre risquerait de ne pas retenir un ancrage de béton.
- Assurez-vous que la surface de support pourra soutenir sans danger la charge combinée de l'équipement, de toute sa visserie et de tous ses composants.

- 1** Assurez-vous que la plaque murale (AA) est de niveau et utilisez-la comme gabarit pour marquer l'emplacement des quatre trous de fixation. Les fentes de montage supérieures doivent être situées à 117 mm (4,6 po) audessus de l'endroit souhaité pour le centre de l'écran comme illustré à la figure 1.1 en page 20. Percez quatre trous de 8 mm (5/16 po) de dia. à une profondeur minimale de 64 mm (2,5 po). Insérez les chevilles d'ancrage (EE) dans les trous au ras du mur comme illustré (à droite). Posez la plaque murale sur les chevilles d'ancrage et attachez-la à l'aide de vis n° 14 x 2,5 po (DD). Assurez-vous qu'elle est de niveau, puis serrez toutes les fixations.



⚠ AVERTISSEMENT

- Serrez les vis de manière que la plaque murale soit fermement fixée, mais sans excès. Un serrage excessif peut endommager les vis et en réduire considérablement le pouvoir de maintien.
- Ne serrez jamais à plus de 9 Nm (80 po-lb).
- Fixez toujours des ancrages de béton directement sur du béton porteur.
- Ne fixez jamais d'ancrages sur du béton recouvert de plâtre, une cloison sèche ou autre matériau de finition. Si vous ne pouvez pas éviter d'effectuer le montage sur du béton recouvert d'une surface de finition, celle-ci doit être chambrée, comme indiqué cidessous. Assurez-vous que les ancrages de béton ne se séparent pas du béton lorsque vous serrez les vis. Si l'épaisseur du plâtre / de la cloison sèche dépasse 1,5 cm (5/8 po), des fixations adaptées devront être fournies par l'installateur (non évalué UL).



Installation des support inclinables

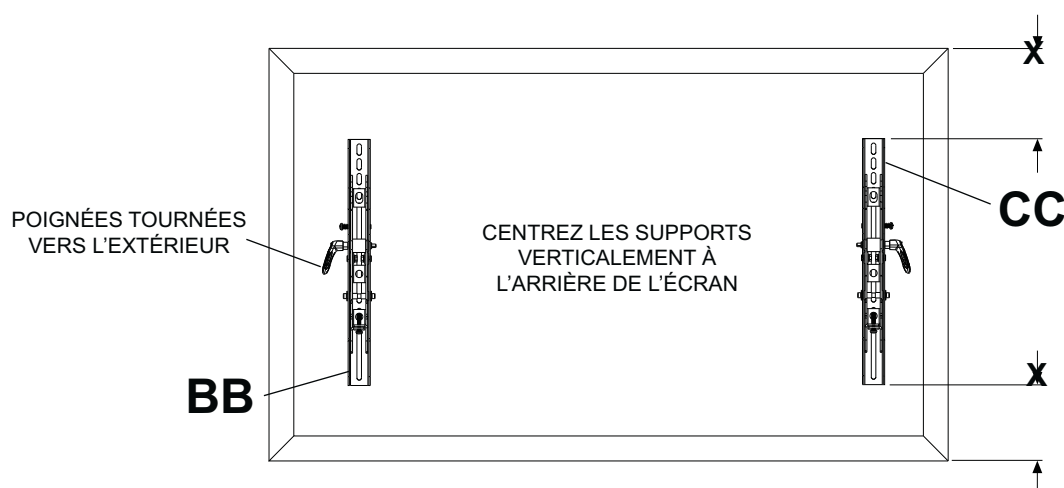
▲ AVERTISSEMENT

- Serrez les vis de manière à ce que les support adaptateurs tiennent solidement en place. N'exercez pas une force excessive pour serrer. Un serrage excessif peut endommager les vis, réduire considérablement leur capacité de support et, éventuellement, faire tomber les têtes de vis. Serrez à un couple maximal de 40 po-lb (4,5 Nm).
- Si les vis ne sont pas enfoncées de trois tours complets dans les inserts ou si elles sont serrées au maximum sans parvenir à fixer solidement le support, l'écran peut être abîmé ou le produit détérioré.

2 Afin d'éviter de rayer l'écran, posez un morceau de tissu sur une surface plane et de niveau qui peut supporter le poids de l'écran. Déposez l'écran à plat, tourné vers le bas. Si l'écran possède des boutons à l'arrière, enlevez-les pour pouvoir attacher les supports adaptateurs. Fixez les supports adaptateurs à l'arrière de l'écran à l'aide des vis, rondelles universelles et entretoises appropriées, comme illustré sur la figure 2.1 ou 2.2.

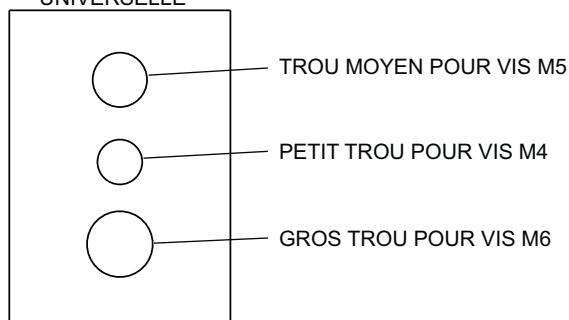
REMARQUE: Les trous supérieurs et inférieurs doivent toujours être utilisés.

REMARQUE: Assurez-vous de fixer les supports inclinables de façon à ce que les poignées soient tournées vers l'extérieur comme illustré ci-dessous. Veillez à ce que tous les trous soient bien alignés, puis serrez les vis à l'aide d'un tournevis cruciforme.



REMARQUE: Les dimensions " X " doivent être égales.

RONDELLE UNIVERSELLE



REMARQUES:

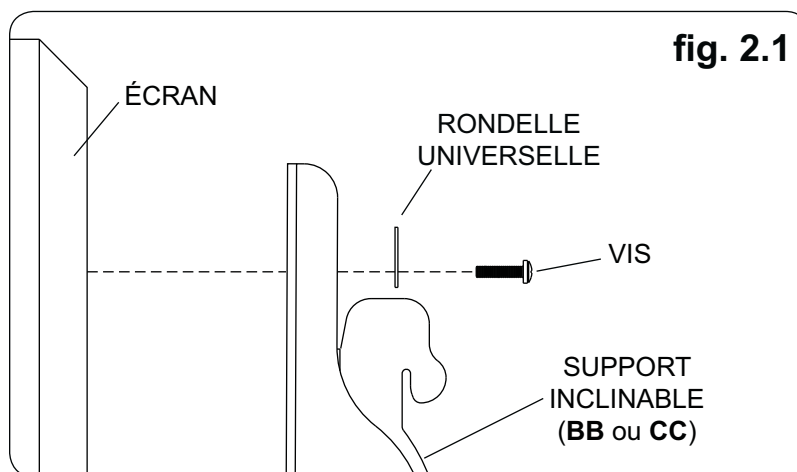
- Le nombre de fixations utilisées varie suivant le type d'écran.
- Il est possible que les rondelles universelles et les entretoises ne soient pas utilisées, suivant le type d'écran.
- Utilisez le trou correspondant dans la rondelle universelle adaptée à la taille de l'écran, comme illustré.

REMARQUE : Pour les écrans à dos plat, exécutez l'étape 2-1. Pour les écrans à dos convexes ou concaves, passez à l'étape 2-2.

Pour les écrans à dos plat

2-1 Commencez par la vis la plus courte et vissez-la manuellement à l'écran en la faisant passer à travers la rondelle universelle et le support inclinable, comme indiqué ci-dessous. La vis doit effectuer au moins trois tours complets dans le trou de fixation et tenir solidement en place. Ne pas trop serrer. S'il est impossible d'effectuer trois tours de vis complets, choisissez une vis plus longue dans le jeu de fixations à compartiments. Répétez pour le reste des trous de fixations, mettez les supports à niveau et resserrez les vis.

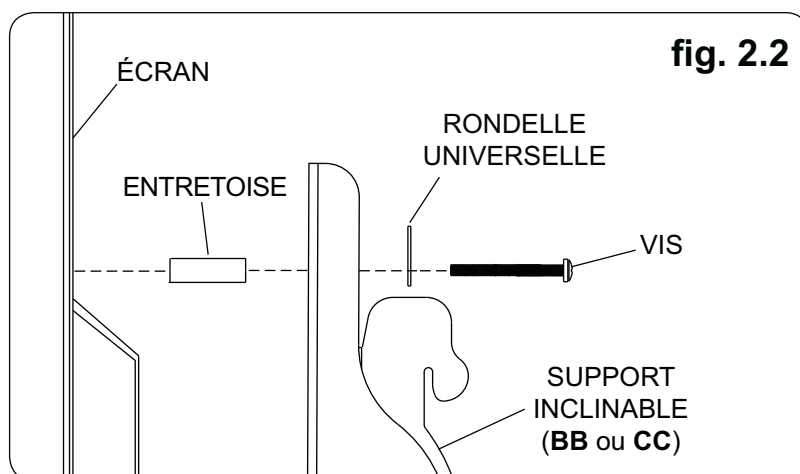
REMARQUE: Il n'est pas toujours nécessaire d'utiliser des entretoises, selon le type d'écran.



Pour toute question, veuillez appeler le service à la clientèle de Peerless au **1-800-729-0307**.

Pour un écran à dos convexe ou concave

2-2 Commencez par la vis la plus longue et vissez-la manuellement à l'écran en la faisant passer à travers la rondelle universelle, le support inclinable et l'entretoise comme indiqué ci-dessous. La vis doit effectuer au moins trois tours complets dans le trou de fixation et tenir solidement en place. Ne pas trop serrer. S'il est impossible d'effectuer trois tours de vis complets, choisissez une vis plus longue dans le jeu de fixations à compartiments. Répétez pour le reste des trous de fixations, mettez les supports à niveau et resserrez les vis.



Pour toute question, veuillez appeler le service à la clientèle de Peerless au **1-800-729-0307**.

Installation de l'écran plat sur la plaque murale

⚠ AVERTISSEMENT

- Pour lever et positionner l'écran plat en toute sécurité, faites-vous toujours aider par une autre personne ou utilisez un dispositif de levage mécanique.
- N'exercez pas une force excessive sur les vis. Un serrage excessif peut endommager le support. Serrez les vis à un couple maximal de 40 po-lb (4,5 Nm).
- Veillez à ne pas vous pincer les doigts lorsque vous poussez l'écran par le bas.

3 Réglage de la tension de la poignée à cliquet: Réglez la tension des supports inclinables (**BB** et **CC**) en tournant la poignée à cliquet. **REMARQUE:** Si une obstruction empêche la poignée à cliquet de tourner, retirez la poignée tout en tournant pour la repositionner sans serrer. Relâchez et tournez la poignée pour serrer ou desserrer.

Montage de l'écran: La poignée à cliquet doit être en position relevée ou abaissée pour ne pas créer d'interférence lors de la fixation des supports inclinables à la plaque murale (**AA**). Accrochez lentement les supports inclinables (**BB** et **CC**) sur la plaque murale (**AA**) et faites basculer l'écran vers le bas comme illustré à la fig. 3.1. Les crochets des supports inclinables doivent s'enclencher complètement dans la plaque murale comme illustré dans le détail 1. À l'aide d'un tournevis cruciforme, tournez le vis de sûreté/sécurité sur les supports inclinables (**BB** et **CC**) dans le sens horaire jusqu'à ce que l'extrémité de la vis entre bien en contact avec la plaque murale comme illustré dans la vue en coupe.

Réglage de l'écran: L'écran peut être réglé horizontalement en desserrant les vis de sûreté/sécurité sur les supports inclinables (**BB** et **CC**) de trois tours complets. Réglez l'écran comme illustré à la fig. 3.2. Serrez les vis de sûreté/sécurité sur les supports inclinables jusqu'à ce que les extrémités des vis entrent bien en contact avec la plaque murale comme illustré dans la vue en coupe.

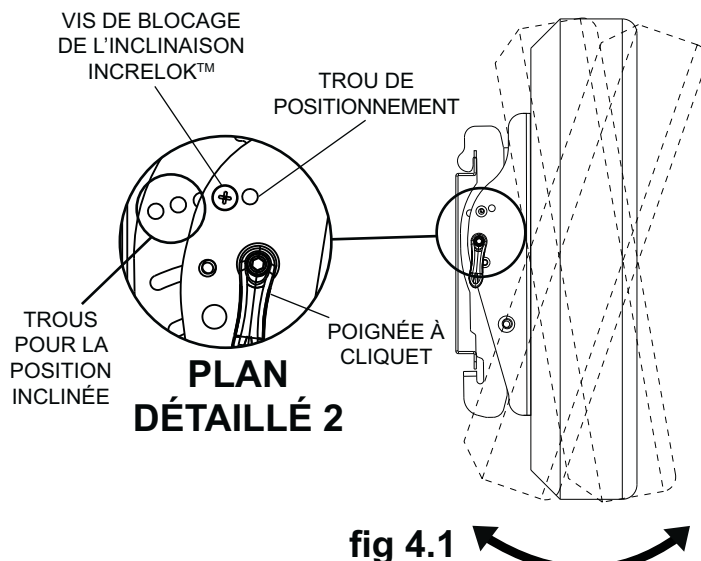
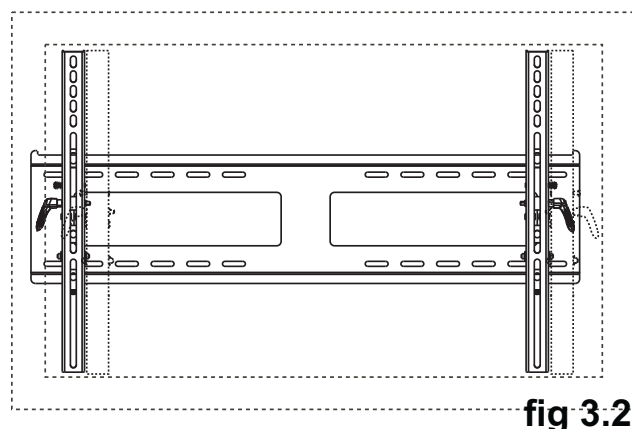
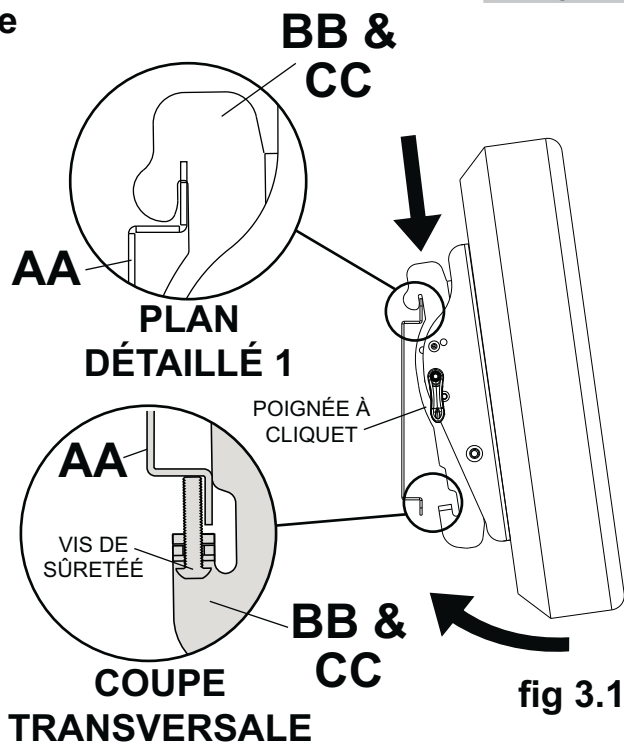
Retrait de l'écran: Pour retirer l'écran du support, desserrez les vis de sûreté, faites pivoter l'écran à l'écart du support et soulevez-le.

Réglage de l'inclinaison de l'écran plat

4 Pour les angles d'inclinaison pré-réglés, utilisez la fonction InceLok™ et pour les angles d'inclinaison sur mesure, utilisez la poignée à cliquet.

INCELOK™: L'écran peut être verrouillé dans une position d'inclinaison pré-réglée de -5, 0, 5, 10 ou 15°. Utilisez le trou de positionnement pour trouver le trou d'inclinaison et inclinez l'écran pour aligner les trous. Serrez les vis de verrouillage de l'inclinaison InceLok™ sur les deux supports inclinables pour verrouiller la position comme illustré dans le détail 2.

Poignée à cliquet: Desserrez la poignée à cliquet (voir l'étape 3 pour le réglage de la tension de la poignée). Poussez ou tirez depuis le haut ou le bas de l'écran pour régler l'inclinaison comme illustré à la figure 4.1. L'inclinaison peut être réglée à un maximum de 15° vers l'avant ou 5° vers l'arrière.

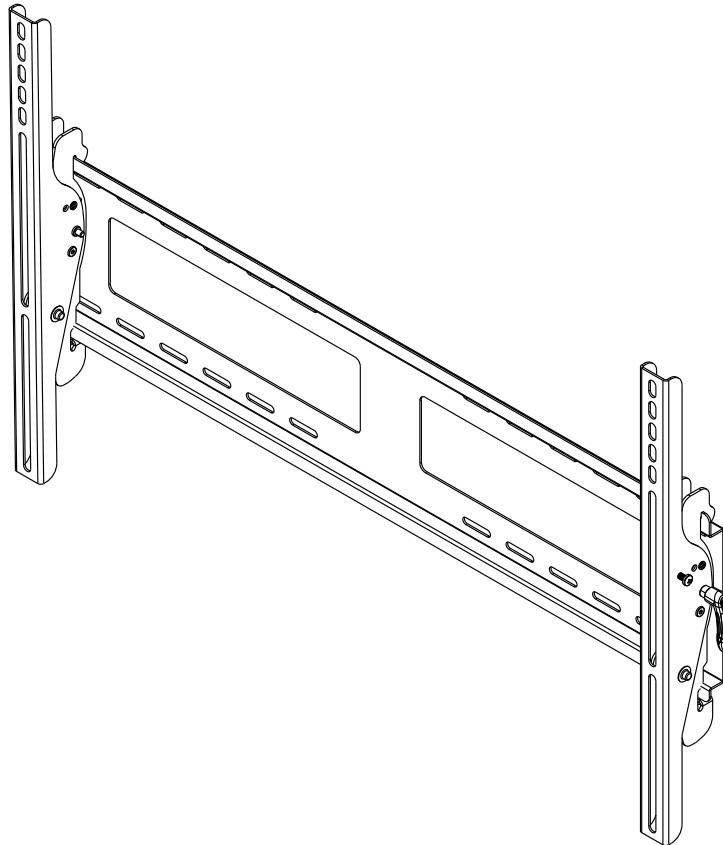


Anbringung und Zusammenbau: Universal-Wandkipphalter für Flachbildschirme von 32 - 56 Zoll (81 - 142 cm)

Modelle: PT650, PWS320/BK



Max. Tragfähigkeit: 175 lb (79 kg)



Merkmale:

- Universaler Halter passend für Bildschirme mit Montagebohrungsmustern bis zu 738 mm B x 449 mm H (29,06 Zoll B x 17,67 Zoll H)
- Angebrachter Bildschirm steht nur 64 mm (2,5 Zoll) von der Wand ab und fügt sich so unauffällig in den Raum
- Mehr Wandoptionen und vielfältige Kabelführungsoptionen durch offene Ausführung der Wandplatte
- Schnelle Anbringung durch einfaches Einhängen der Universal-Kipphalterungen in die Wandplatte
- Optimaler Betrachtungswinkel durch Neigbarkeit bis 15° nach vorne und -5° nach hinten
- Mühelose Neigungseinstellung durch einmaliges Antippen
- Vorspannung der Universalkipphalterung ermöglicht Neigungswinkeleinstellung mit einer einfachen Bewegung
- Arretieren der Bildschirmstellung ohne Werkzeuge durch einfachen Verriegelungsgriff
- Optionale IncreLok-Funktion bietet fixe Neigungstellungen bei -5°, 0°, 5°, 10°, 15°
- Einschließlich Sorted-For-YouTM-Befestigungsteilesortiment zur Anbringung an Holzständern, Beton und Porenbetonstein
- Optionale horizontale Verstellung bis zu 20 cm (8 Zoll) (abhängig vom Bildschirmmodell) ermöglicht optimale Platzierung des Bildschirms

HINWEIS: Lesen Sie die gesamte Anleitung, bevor Sie mit der Anbringung und dem Zusammenbau beginnen.

⚠ ACHTUNG

- Beginnen Sie mit der Anbringung Ihres Peerless-Produkts erst, nachdem Sie die in dieser Montageanleitung enthaltenen Anleitungen und Achtungshinweise gelesen und sich gründlich mit ihnen vertraut gemacht haben. Falls Sie Fragen hinsichtlich irgendeiner der Anleitungen oder Achtungshinweise haben, wenden Sie sich in den USA bitte an den Peerless-Kundendienst unter der Rufnummer 1-800-865-2112. Kunden im Ausland wenden sich bitte an den örtlichen Vertragshändler.
- Dieses Produkt darf nur von Personen mit guten mechanischen Fähigkeiten montiert werden, die über Erfahrung in den Grundlagen der Baukonstruktion verfügen und diese Anleitungen vollkommen verstehen.
- Vergewissern Sie sich, dass die tragende Fläche das Gesamtgewicht der Geräte und allen daran angebrachten Befestigungsteilen und Komponenten sicher tragen kann.
- Die maximale Tragfähigkeit darf niemals überschritten werden. Siehe Seite 25.
- Achten Sie bei der Anbringung an Holzständern darauf, dass die Befestigungsschrauben jeweils in der Mitte der Holzständer verankert sind. Am besten eignet sich ein Balkenfinder mit genauer Kantenanzeige.
- Ziehen Sie immer eine zusätzliche Person heran oder verwenden Sie mechanische Hebeegeräte, um Geräte sicher zu heben und zu positionieren.
- Ziehen Sie die Schrauben fest an, ohne sie zu überdrehen. Durch Überdrehen können die Teile beschädigt werden, wodurch ihr Haltevermögen stark reduziert wird.
- Dieses Produkt ist nur für den Gebrauch innerhalb von Gebäuden bestimmt. Eine Verwendung dieses Produkts im Freien kann zu Produktausfall und Personenschaden führen.
- Dieses Produkt wurde nur für die Anbringung an den folgenden Wandkonstruktionen ausgelegt:

WANDKONSTRUKTION

- Holzständer
- Holzbalken
- Massivbeton
- Porenbetonstein
- Metallständer
- Ziegel
- Andere oder nicht sicher?

ERFORDERLICHE BEFESTIGUNGSTEILE

- Inbegriffen
- Inbegriffen
- Inbegriffen
- Inbegriffen
- Nur mit metallständer-zubehörsatz von Peerless anbringen - ACC415; (nicht UL-bewertet)
- Qualifizierten fachmann konsultieren (nicht UL-bewertet)
- Qualifizierten fachmann konsultieren

Für den Zusammenbau erforderliche Werkzeuge

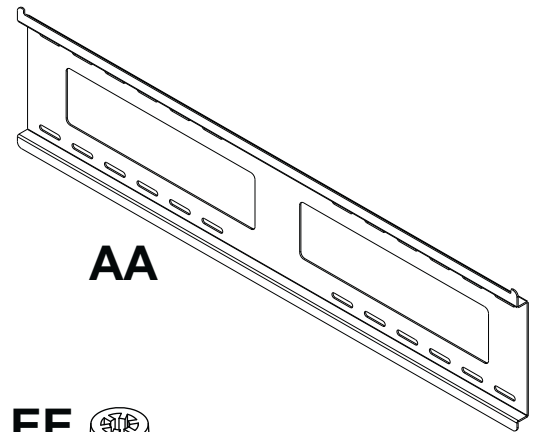
- Balkenfinder (Balkenfinder mit genauer Kantenanzeige empfohlen)
- Kreuzschlitzschraubendreher
- Bohrer
- 5/16 Zoll (8 mm) Bit für Beton- und Porenbetonsteinwand
- 5/32 Zoll (4 mm) Bit für Holzständerwand
- Wasserwaage

Inhaltsverzeichnis

Teileliste.....	27
Anbringung an Wand mit zwei Holzständerreihen.....	28
Anbringung an Massivbeton oder Porenbetonstein	29
Anbringung von Kipphalterungen	30
Anbringung des Flachbildschirms an der Wandplatte	32

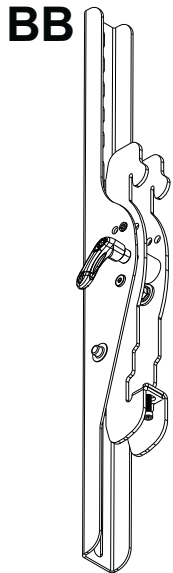
Vergewissern Sie sich vor Beginn der Arbeiten, dass alle dargestellten Teile mit Ihrem Produkt mitgeliefert wurden.

Teileliste		
Beschreibung	Anz.	Teile Nr.
AA wandplatte	1	201-P1288
BB linke kipphalterung	1	201-P1469
CC rechte kipphalterung	1	201-P1471
DD Nr. 14 x 2,5 Zoll sechskant-holzschraube	4	5S1-015-C03
EE betondübel	4	590-0320

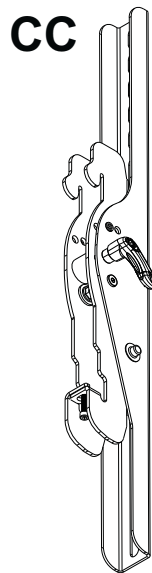


AA

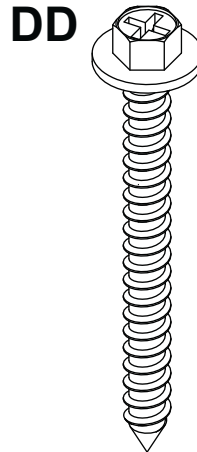
Die Teile können etwas anders als in der Abbildung aussehen.



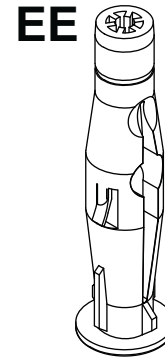
BB



CC

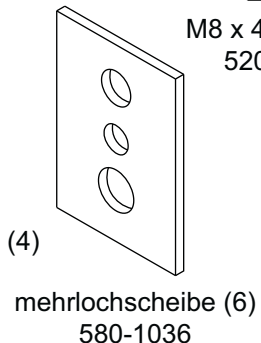
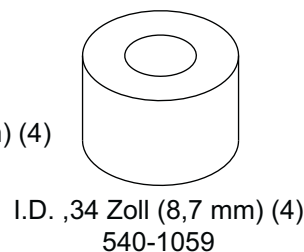
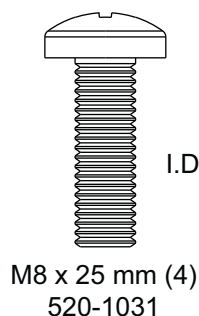
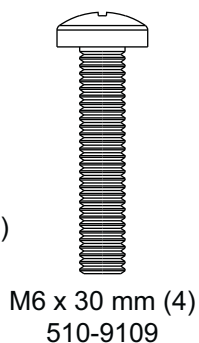
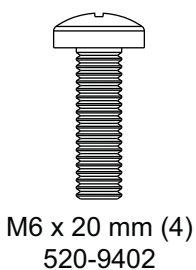
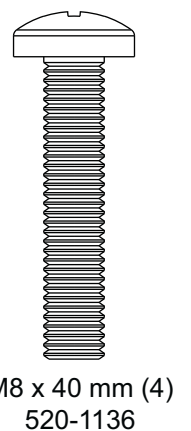
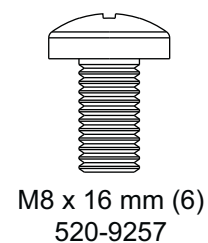
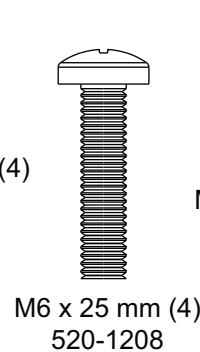
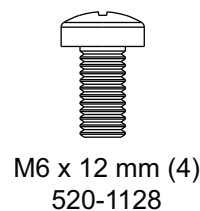
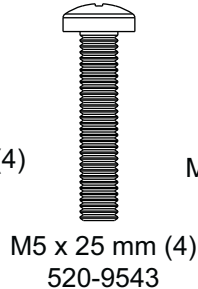
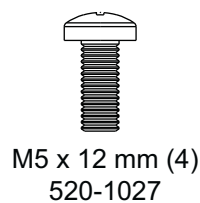
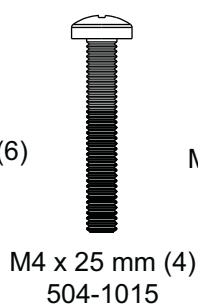


DD



EE

Kipphalterungen Befestigungsteilesortiments



Installation zu verdoppeln Holzständerreihe

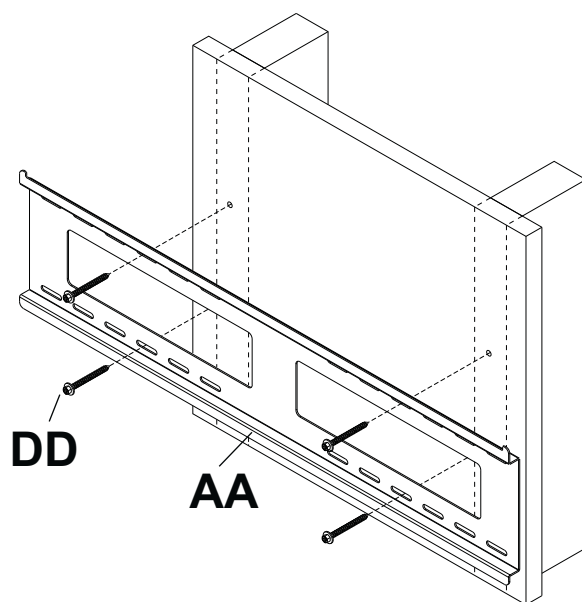
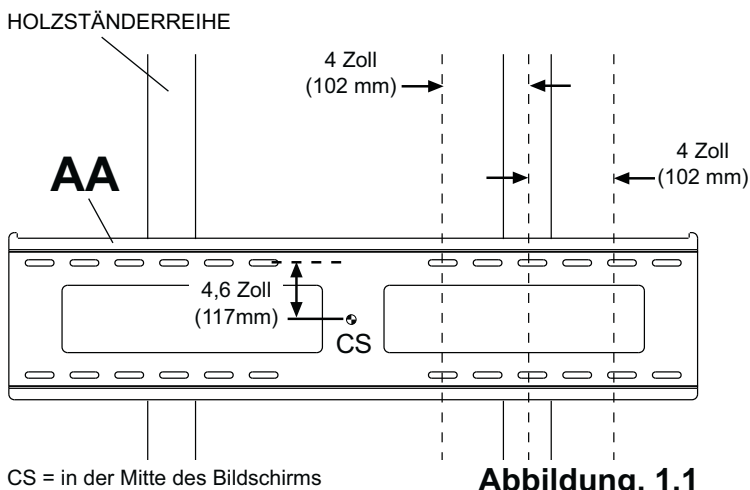
⚠ ACHTUNG

- Bei der Anbringung muss darauf geachtet werden, dass die Wand die kombinierte Last von Bildschirm und allen Befestigungsteilen und -komponenten tragen kann.
- Ziehen Sie die Schrauben fest genug an, dass die Wandplatte sicher befestigt ist, doch ohne sie zu überdrehen. Durch Überdrehen können die Schrauben beschädigt werden, wodurch ihr Haltevermögen stark reduziert wird.
- Das Drehmoment darf 80 in. • lb (9 Nm.) auf keinen Fall überschreiten.
- Achten Sie darauf, dass die Befestigungsschrauben jeweils in der Mitte der Holzständer verankert werden. Am besten eignet sich ein Balkenfinder mit genauer Kantenanzeige.
- Die mitgelieferten Befestigungsteile sind für die Befestigung des Halters durch Trocken- oder Putzwand standardmäßiger Stärke in Holzständer vorgesehen. Für die Anbringung an anders konstruierten Wänden müssen andere (nicht UL-bewertet) Befestigungsteile verwendet werden.

- 1** Bestimmen Sie die Kanten der Ständer mithilfe eines Balkenfinders. Am besten eignet sich ein Balkenfinder mit genauer Kantenanzeige. Verwenden Sie die Kanten als Richtlinie und ziehen Sie eine senkrechte Linie entlang der Mitte der Ständer. Halten Sie die Wandplatte als Schablone an die Wand. Die oberen Montageschlitz sollten sich wie in Abbildung 1.1 dargestellt 117 mm (4,6 Zoll) oberhalb der gewünschten Bildschirmmitte befinden. Richten Sie die Platte waagrecht aus und markieren Sie die Mitte der vier Montagebohrungen. Achten Sie darauf, dass die Montagebohrungen sich jeweils auf der Mittellinie der Holzständer befinden. Bohren Sie vier Löcher mit einem Durchmesser von 4 mm (5/32 Zoll) und einer Tiefe von 64 mm (2,5 Zoll). Achten Sie darauf, dass die Wandplatte waagrecht ausgerichtet ist und befestigen Sie sie wie in Abbildung 1.2 dargestellt mit Hilfe von vier Nr. 14 x 2,5 Zoll Holzschrauben (**DD**).

Hinweis: Die Wandplatte kann wie in Abbildung 1.1 dargestellt bis zu 102 mm (4 Zoll) außermittig angebracht werden.

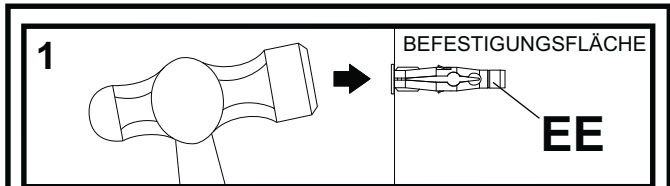
Fahren Sie mit Schritt 2 fort.



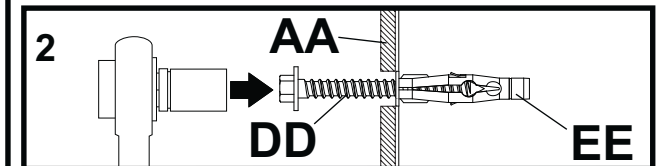
⚠ ACHTUNG

- Bei der Anbringung von Peerless-Wandhaltern an Porenbetonstein muss sichergestellt werden, dass die tatsächliche Stärke des Betons, in den das Loch für die Betondübel gebohrt wird, mindestens 35 mm (1 3/8 Zoll) beträgt. Bohren Sie nicht in Mörtelfugen! Achten Sie darauf, dass die Anbringung an einem massiven Teil des Blocks erfolgt, im Allgemeinen mindestens 25 mm (1 Zoll) von der Blockseite entfernt. Die Porenbetonsteine müssen den Spezifikationen der ASTM-Norm C-90 entsprechen. Wir empfehlen, zum Bohren des Lochs anstelle eines Schlagbohrers einen standardmäßigen Elektrobohrer bei niedriger Einstellung zu verwenden, um zu verhindern, dass die Bohrungsrückseite beim Eintritt in einen Leer- oder Hohlraum ausbricht.
- Die Betondruckfestigkeit muss mindestens 2000 psi betragen. In Beton mit geringerer Druckfestigkeit kann der Betondübel u. U. nicht halten.
- Vergewissern Sie sich, dass die Wand das Vierfache des Gesamtgewichts von Geräten und allen daran angebrachten Befestigungsteilen und Komponenten sicher tragen kann.

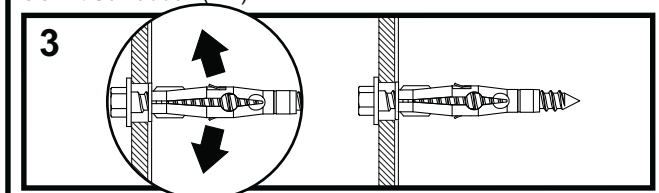
- 1** Achten Sie darauf, dass die Wandplatte (**AA**) waagrecht ausgerichtet ist und verwenden Sie sie als Schablone zur Markierung von vier Montagebohrungen. Die obere Montagebohrung sollte sich wie in Abbildung 1.1 dargestellt 117 mm (4,6 Zoll) oberhalb der gewünschten Bildschirmmitte befinden. Bohren Sie vier Löcher mit einem Durchmesser von 8 mm (5/16 Zoll) und einer Mindestdiefe von 64 mm (2,5 Zoll). Setzen Sie die Dübel (**EE**) in die Löcher ein, bis sie bündig mit der Wand abschließen (siehe Abbildung rechts). Halten Sie die Wandplatte über die Dübel und befestigen Sie sie mit Nr. 14 x 2,5 Zoll Schrauben (**DD**). Richten Sie sie waagrecht aus und ziehen Sie dann sämtliche Befestigungsteile an.



Bohren Sie Löcher und setzen Sie die Dübel (**EE**) ein.



Legen Sie die Platte (**AA**) über die Dübel (**EE**) und befestigen Sie sie mit Schrauben (**DD**).

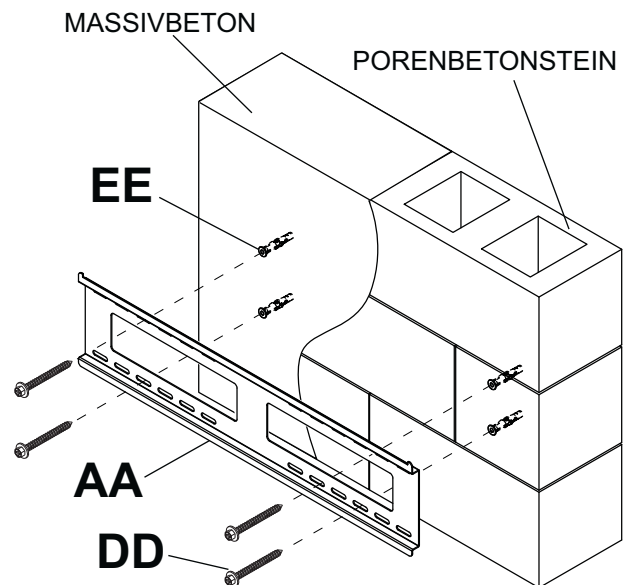
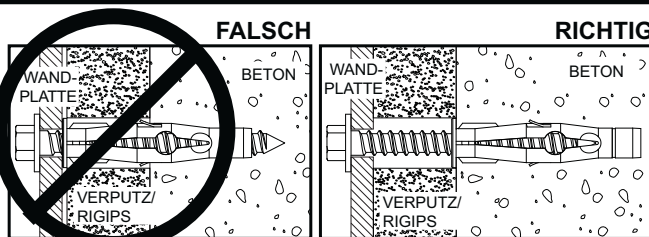


Ziehen Sie alle Befestigungsteile an.

⚠ ACHTUNG

- Ziehen Sie die Schrauben fest genug an, dass die Wandplatte sicher befestigt ist, doch ohne sie zu überdrehen. Durch Überdrehen können die Schrauben beschädigt werden, wodurch ihr Haltevermögen stark reduziert wird.
- Das Drehmoment darf 80 Zoll • lb (9 Nm.) auf keinen Fall überschreiten.
- Betonspreizdübel müssen stets direkt am tragenden Beton angebracht werden.
- Betonspreizdübel dürfen auf keinen Fall an Beton befestigt werden, der mit Verputz, Trockenwandmaterial oder anderem Deckschichtmaterial bedeckt ist. Falls es nicht vermeiden lässt, die Montage an einer Betonfläche mit Deckschicht vorzunehmen, muss wie nachstehend dargestellt eine Senkung in die Deckschicht gebohrt werden. Vergewissern Sie sich, dass die Betondübel beim Anziehen der Schrauben nicht vom Beton weg gezogen werden. Falls der Verputz bzw. das Trockenwandmaterial dicker ist als 16 mm (5/8 Zoll), müssen von der für die Montage zuständigen Person Spezialbefestigungsteile bereitgestellt werden (nicht UL-bewertet).

SCHNITTANSICHT



Befestigung von Kipphalterungen am Bildschirm mit Hilfe des Befestigungsteilesortiments

⚠ ACHTUNG

- Ziehen Sie die Schrauben so an, dass die Kipphalterungen sicher befestigt sind. Ziehen Sie die Schrauben nicht zu fest an. Durch die beim Überdrehen entstehende Spannung können die Schrauben beschädigt werden, was ihr Haltevermögen stark reduziert und möglicherweise dazu führen kann, dass die Schraubenköpfe sich lösen. Das maximale Drehmoment zum Festziehen der Schrauben darf 40 in • lb (4,5 Nm) nicht überschreiten.
- Sind die Schrauben nicht um drei volle Umdrehungen in die Löcher des Bildschirms eingeschraubt oder stoßen sie unten an und die Halterung ist noch immer nicht sicher befestigt, kann der Bildschirm beschädigt werden oder das Produkt kann versagen.

2 Legen Sie ein Tuch auf eine flache, ebene Oberfläche, die das Gewicht des Bildschirms tragen kann, damit der Bildschirm nicht zerkratzt wird. Legen Sie den Bildschirm mit der Vorderseite nach unten ab. Lesen Sie die Anleitungen des Bildschirmherstellers bzw. des Kundendienstes bzgl. der Entfernung von Knöpfen, Sockel, Abdeckungen oder Schrauben auf der Rückseite des Bildschirms, um die Montage vorzubereiten. Sie müssen entfernt werden, damit die Kipphalterungen angebracht werden können. Wählen Sie die kleinen, mittleren, größeren oder extragroßen Schrauben aus dem Befestigungsteilesortiment aus und befestigen Sie die Kipphalterungen wie in Abbildung 2.1 oder 2.2 dargestellt am Bildschirm.

HINWEIS: Achten Sie darauf, dass die Kipphalterungen wie unten dargestellt mit dem Griff nach außenweisend angebracht werden.

HINWEIS: Achten Sie darauf, dass alle Bohrungen korrekt ausgerichtet sind und ziehen Sie dann die Schrauben mit einem Kreuzschlitzschraubendreher an.



MEHRLOCHSCHEIBE



HINWEISE:

- Die Anzahl der Schrauben verwendet werden variieren, je nachdem, welche Art von Bildschirm.
- Multi-Scheiben und Distanzstücke dürfen nicht verwendet werden, je nach der Art der Bildschirm.
- Verwenden Sie das entsprechende Loch in der Multi-Waschmaschine, die mit Ihrem Schraubengröße wie gezeigt.

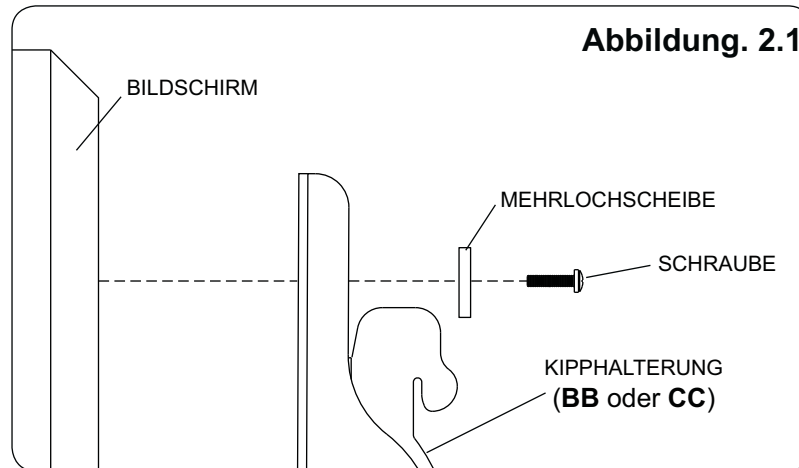
HINWEIS: Fahren Sie bei Bildschirmen mit flacher Rückseite mit Schritt 2-1 fort. Fahren Sie bei Bildschirmen mit Wölbung oder Vertiefung an der Rückseite mit Schritt 2-2 fort.

Bildschirme mit flacher Rückseite

2-1

Beginnen Sie mit der kürzesten Schraube und schrauben Sie diese wie unten gezeigt von Hand durch die Mehrlochscheibe und Adapterhalterung in den Bildschirm. Die Schraube muss sich um mindestens drei volle Umdrehungen in die Montagebohrung drehen lassen und gut festsitzen. Nicht zu stark anziehen. Wählen Sie eine längere Schraube aus dem Befestigungsteilesortiment, wenn sich die Schraube nicht um drei volle Umdrehungen in den Bildschirm schrauben lässt. Wiederholen Sie diesen Schritt bei den übrigen Montagebohrungen, richten Sie die Halterungen waagrecht aus und ziehen Sie die Schrauben an.

HINWEIS: Je nach Bildschirmtyp sind keine Abstandhalter zu verwenden.

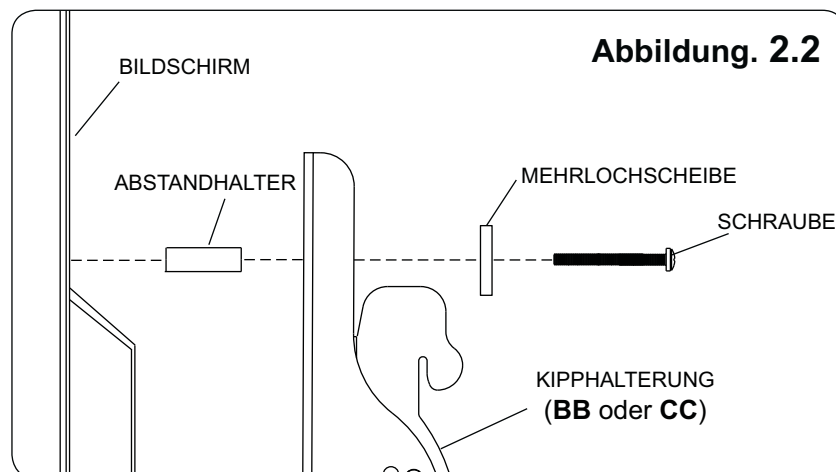


Wenden Sie sich mit Fragen an den Peerless-Kundendienst unter der Telefonnummer +1-800-865-2112 (innerhalb der USA).

Bildschirme mit Wölbung oder Vertiefung an der Rückseite

2-2

Beginnen Sie mit der längeren Schraube und schrauben Sie diese in der unten abgebildeten Reihenfolge von Hand durch die Mehrlochscheibe, die Adapterhalterung und den Abstandhalter in den Bildschirm. Die Schraube muss sich um mindestens drei volle Umdrehungen in die Montagebohrung drehen lassen und gut festsitzen. Nicht zu stark anziehen. Wählen Sie eine längere Schraube aus dem Befestigungsteilesortiment, wenn sich die Schraube nicht um drei volle Umdrehungen in den Bildschirm schrauben lässt. Wiederholen Sie diesen Schritt bei den übrigen Montagebohrungen, richten Sie die Halterungen waagrecht aus und ziehen Sie die Schrauben an.



Wenden Sie sich mit Fragen an den Peerless-Kundendienst unter der Telefonnummer +1-800-865-2112 (innerhalb der USA).

Anbringung und Abnahme des Flachbildschirms

⚠ ACHTUNG

- Ziehen Sie immer eine zusätzliche Person heran oder verwenden Sie mechanische Hebeegeräte, um den Flachbildschirm sicher zu heben und zu positionieren.
- Ziehen Sie die Schrauben so an, dass die Adapterhalterungen sicher befestigt sind. Ziehen Sie die Schrauben nicht zu fest an. Durch die beim Überdrehen entstehende Spannung können die Schrauben beschädigt werden, was ihr Haltevermögen stark reduziert und möglicherweise dazu führen kann, dass die Schraubenköpfe sich lösen. Das maximale Drehmoment zum Festziehen der Schrauben darf 40 in • lb (4,5 Nm) nicht überschreiten.
- Achten Sie darauf, dass Sie die Finger nicht einklemmen, wenn der Halter von der Wand weg gezogen bzw. zu ihr hin geschoben wird.

- 3 Spannungseinstellung mit Ratschengriff:** Die Spannung in den Kipphalterungen (**BB** und **CC**) wird durch Drehen des Ratschengriffs eingestellt. **HINWEIS:** Falls das Drehen des Ratschengriffs durch etwas behindert wird, ziehen Sie den Griff beim Drehen heraus. Dadurch kann er ohne Festziehen neu positioniert werden. Geben Sie den Griff frei und drehen Sie ihn anschließend zum Festziehen oder Lösen.

Anbringung des Bildschirms: Der Ratschengriff muss sich in der oberen oder unteren Stellung befinden. Ansonsten kommt es zu Behinderungen beim Einhängen der Kipphalterungen in der Wandplatte (**AA**). Haken Sie die Kipphalterungen (**BB** und **CC**) langsam in die Wandplatte (**AA**) ein und schwenken Sie den Bildschirm wie in Abbildung 3.1 dargestellt nach unten. Die Haken der Kipphalterungen müssen ganz in die Wandplatte eingreifen wie in Detailsicht 1 dargestellt. Drehen Sie die Sicherheitsschrauben an den Kipphalterungen (**BB** und **CC**) mit Hilfe des Kreuzschlitzschraubendrehers nach rechts, bis die Schraubenspitze wie im Schnittbild dargestellt sicher mit der Wandplatte Kontakt hat.

Bildschirmeinstellung: Der Bildschirm kann horizontal eingestellt werden, indem die Sicherheitsschrauben an den Kipphalterungen (**BB** und **CC**) mit dem Kreuzschlitzschraubendreher um drei volle Umdrehungen gelöst werden. Stellen Sie den Bildschirm wie in Abbildung 3.2 dargestellt ein.

Ziehen Sie die Sicherheitsschrauben an den Kipphalterungen an, bis die Schraubenspitze wie im Schnittbild dargestellt sicher mit der Wandplatte Kontakt hat.

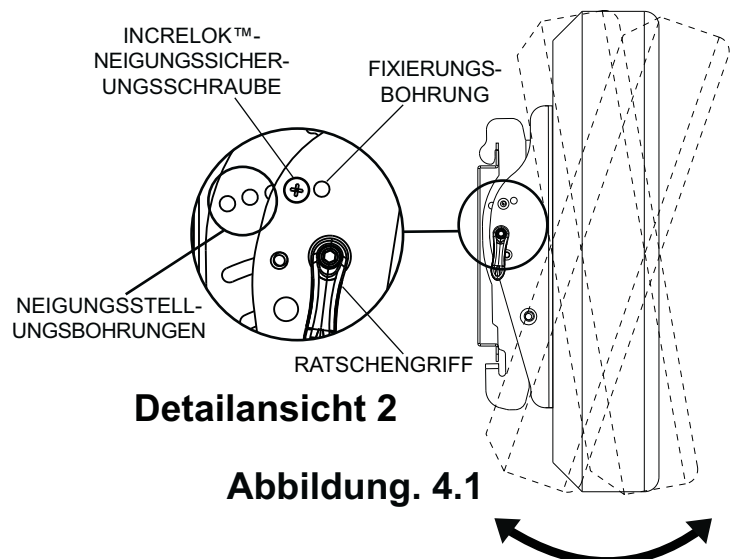
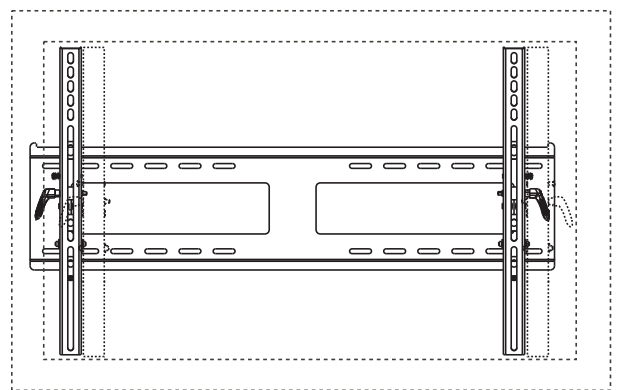
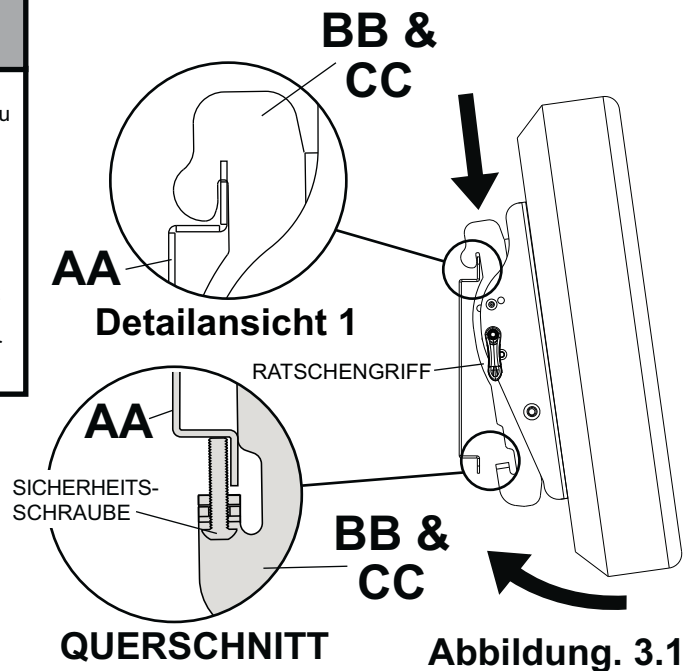
Entfernung des Bildschirms: Zum Entfernen des Bildschirms vom Halter lösen Sie die Sicherheitsschrauben, schwenken den Bildschirm vom Halter weg und heben ihn vom Halter ab.

Einstellung des Neigungswinkels des Flachbildschirms

- 4** Für voreingestellte Neigungswinkel wird Increlok™ und für benutzerdefinierte Neigungswinkel der Ratschengriff verwendet.

INCRELOK™: Der Bildschirm kann in voreingestellten Neigungsstellungen von -5°, 0°, 5°, 10° oder 15° arretiert werden. Machen Sie die Neigungsstellungsbohrung mit Hilfe der Fixierungsbohrung ausfindig und neigen Sie den Bildschirm, um die Bohrungen aneinander auszurichten. Ziehen Sie die IncreLok™-Neigungssicherungsschrauben an beiden Kipphalterungen an, um die Neigungsstellung wie in Detailsicht 2 dargestellt zu arretieren.

Ratschengriff: Lösen Sie den Ratschengriff (in Schritt 3 wird die Spannungseinstellung mit dem Griff erläutert). Drücken oder ziehen Sie an der Ober- bzw. Unterkante des Bildschirms, um die Neigung wie in Abbildung 4.1 dargestellt einzustellen. Die maximale Neigung beträgt 15° nach vorne bzw. 5° nach hinten.



LIMITED FIVE-YEAR WARRANTY

Peerless Industries, Inc. establishes a warranty period of five years for products manufactured or supplied by Peerless. This period commences from the date of sale of the product to the original consumer, but will in no case last for more than six years after the date of the product's manufacture. During the warranty period such products will be free from defects in material and workmanship, provided they are installed and used in compliance with the instructions established by Peerless Industries, Inc. Subject to applicable legal requirements, during the warranty period Peerless will repair or replace, or refund the purchase price of, any such product which fails to conform with this warranty.

Any other warranties prescribed by the law which may apply with respect to such products also are limited in duration to the warranty period specified in this Limited Five-Year Warranty.

This warranty does not cover damage caused by (a) service or repairs by the customer or a person who is not authorized for such service or repairs by Peerless Industries, Inc., (b) the failure to utilize proper packing when returning the product, (c) incorrect installation or the failure to follow Peerless' instructions or warnings when installing, using or storing the product, or (d) misuse or accident, in transit or otherwise, including in cases of third party actions and force majeure.

In no event shall Peerless be liable for incidental or consequential damages or damages arising from the theft of any product, whether or not secured by a security device which may be included with the product.

This Limited Five-Year Warranty is in lieu of all other warranties, expressed or implied, and is the sole remedy with respect to product defects. No retailer, dealer, distributor, installer or other person is authorized to modify or extend this warranty or impose any obligation on Peerless in connection with the sale of any product manufactured or supplied by Peerless.

This warranty gives specific legal rights, and you may also have other rights provided by the national legislation of the country in which you purchased such product.

peerless[®]

www.peerlessmounts.com

© 2008 Peerless Industries, Inc.

Español

GARANTÍA LIMITADA DE CINCO AÑOS

Peerless Industries, Inc. establece un período de garantía de cinco años para los productos fabricados o suministrados por Peerless. Este período empieza en la fecha de venta del producto al consumidor original, pero en ningún caso durará más de seis años después de la fecha de fabricación del producto. Durante la vigencia de la garantía, dichos productos se encontrarán libres de defectos en sus materiales y fabricación, siempre que se instalen y usen de conformidad con las instrucciones establecidas por Peerless Industries, Inc. Sujeto a los requisitos legales pertinentes, durante la vigencia de la garantía Peerless reparará o reemplazará un producto que no cumpla con la presente garantía o reembolsará el precio de compra del mismo.

Cualquier otra garantía exigida por ley que podría ser aplicable con respecto a dichos productos también tendrá una vigencia limitada al período de garantía especificado en la presente Garantía Limitada de Cinco Años.

La presente garantía no abarca los daños causados por (a) trabajos de servicio, mantenimiento o reparación hechos por el cliente o una persona que no está autorizada por Peerless Industries, Inc. para realizar esos trabajos, (b) no utilizar un embalaje apropiado al devolver el producto, (c) una instalación incorrecta o no seguir las instrucciones o advertencias de Peerless al instalar, usar o almacenar el producto, o (d) uso indebido o accidente, en tránsito o de otro modo, incluso si se trata de acciones atribuibles a terceros o de casos de fuerza mayor.

Peerless en ningún caso será responsable de daños incidentales o indirectos o daños que surjan del robo de un producto, esté o no protegido por un dispositivo de seguridad incluido con el producto.

La presente Garantía Limitada de Cinco Años reemplaza cualquier otra garantía expresa o implícita, y es la única reparación con respecto a defectos en el producto. Ningún comerciante minorista, agente, distribuidor, instalador u otra persona, está autorizado para modificar o prolongar la presente garantía ni para imponer una obligación a Peerless en relación con la venta de un producto fabricado o suministrado por Peerless.

La presente garantía otorga derechos legales específicos, y usted también podría tener otros derechos en virtud de la legislación nacional del país donde usted compró el producto.

peerless[®]

www.peerlessmounts.com

© 2008 Peerless Industries, Inc.

GARANTIE DE CINQ ANS

Peerless Industries, Inc., offre une garantie de cinq ans sur les produits fabriqués ou fournis par ses soins. Cette période commence à la date de vente du produit au client d'origine, mais ne peut en aucun cas dépasser de plus de six ans la date de fabrication. Pendant la période de garantie, les produits couverts seront exempts de tout défaut matériel et de main d'œuvre, dès lors qu'ils sont installés et utilisés dans le respect des instructions de Peerless Industries, Inc. Conformément aux dispositions légales applicables, Peerless réparera ou remplacera, ou remboursera le prix d'achat de tout produit non conforme à cette garantie pendant cette période.

Toute autre garantie obligatoire applicable à ces produits est également limitée à la durée spécifiée dans la présente Garantie de cinq ans.

Cette garantie ne couvre pas les dommages causés par (a) les interventions ou les réparations effectuées par le client ou par une personne non agréée par Peerless Industries, Inc., (b) la non-utilisation de l'emballage approprié lors du renvoi du produit, (c) une installation incorrecte ou le non-respect des instructions ou des avertissements de Peerless lors de l'installation, de l'utilisation ou du rangement du produit, ou (d) une mauvaise utilisation ou un accident pendant le transport ou en toute autre circonstance, y compris du fait de tiers et en cas de force majeure.

Peerless ne saura en aucun cas être tenue pour responsable de tout préjudice accidentel ou induit, ou de tout préjudice dû au vol d'un produit, qu'il soit ou non protégé par un dispositif de sécurité éventuellement fourni avec le produit.

Cette garantie de cinq ans remplace et annule toute autre garantie, expresse ou implicite, et constitue le seul recours valable en cas de dysfonctionnement des produits. Aucun détaillant, revendeur, distributeur, installateur ou autre n'est autorisé à modifier ou à prolonger cette garantie, ou à imposer une obligation quelconque à Peerless lors de la vente de produits fabriqués ou fournis par Peerless.

Cette garantie confère certains droits spécifiques, mais d'autres droits peuvent vous être conférés par la législation du pays où vous avez acheté le produit.



www.peerlessmounts.com

© 2008 Peerless Industries, Inc.

BESCHRÄNKTEN FÜNFJÄHRIGEN GARANTIE

Peerless Industries Inc. gewährleistet auf Produkte, die von Peerless hergestellt oder geliefert werden, eine Garantiefrist von fünf Jahren. Die Frist beginnt mit dem Datum des Produktverkaufs an den ursprünglichen Verbraucher; sie gilt jedoch in keinem Fall länger als sechs Jahre nach Herstellungsdatum des Produkts. Während der Garantiefrist weisen solche Produkte keine Material- oder Verarbeitungsfehler auf, vorausgesetzt, sie werden gemäß den Anweisungen von Peerless Industries Inc. installiert und verwendet. Vorbehaltlich der einschlägigen rechtlichen Verpflichtungen repariert oder ersetzt Peerless während der Garantiefrist ein Produkt, das dieser Garantie nicht entspricht, oder erstattet den Kaufpreis dafür.

Andere gesetzlich vorgeschriebene Garantien, die auf solche Produkte zutreffen können, sind in ihrer Dauer ebenfalls auf die Frist beschränkt, die in dieser beschränkten fünfjährigen Garantie festgelegt ist.

Diese Garantie gilt nicht bei Schäden, die aufgrund folgender Ursachen entstanden: (a) Wartung oder Reparatur durch den Kunden oder einer Person, die nicht von Peerless Industries Inc. für die Durchführung solcher Wartungs- oder Reparaturarbeiten autorisiert wurde, (b) Nichtverwendung von geeigneter Verpackung bei der Rücksendung des Produkts, (c) falsche Installation oder Nichtbefolgung bzw. Nichtbeachtung von Peerless-Anweisungen oder -Warnhinweisen bei der Installation, Verwendung oder Lagerung des Produkts oder (d) Missbrauch oder Unfall, während des Transports oder anderweitig, einschließlich Handlungen Dritter und höherer Gewalt.

Auf keinen Fall haftet Peerless für Neben- oder Folgeschäden oder für Schäden, die aus dem Diebstahl eines Produkts entstehen, unabhängig davon, ob das Produkt durch eine mitgelieferte Sicherheitsvorrichtung gesichert war oder nicht.

Diese beschränkte fünfjährige Garantie gilt anstelle von allen anderen ausdrücklichen oder stillschweigenden Garantien und ist das alleinige Rechtsmittel bei Produktdefekten. Kein Einzel-, Vertrags- oder Vertriebshändler und keine mit der Installation beauftragte oder sonstige Person ist befugt, diese Garantie zu ändern oder zu verlängern oder Peerless irgendwelche Verpflichtungen in Zusammenhang mit einem von Peerless hergestellten oder gelieferten Produkt aufzuerlegen.

Diese Garantie verleiht Ihnen bestimmte gesetzliche Rechte, und Sie verfügen u. U. über weitere Rechte unter der nationalen Gesetzgebung des Landes, in dem dieses Produkt erworben wurde.



www.peerlessmounts.com

© 2008 Peerless Industries, Inc.

Free Manuals Download Website

<http://myh66.com>

<http://usermanuals.us>

<http://www.somanuals.com>

<http://www.4manuals.cc>

<http://www.manual-lib.com>

<http://www.404manual.com>

<http://www.luxmanual.com>

<http://aubethermostatmanual.com>

Golf course search by state

<http://golfingnear.com>

Email search by domain

<http://emailbydomain.com>

Auto manuals search

<http://auto.somanuals.com>

TV manuals search

<http://tv.somanuals.com>