

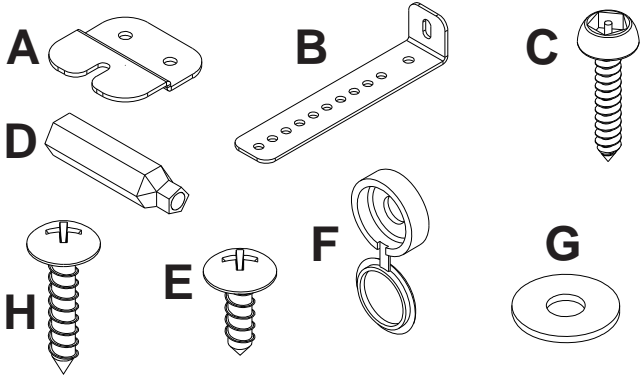
Installation and Assembly - Universal lockdown brackets for Plasma and LCD Desktop Stands

Model: FLD-UNV (-S)

Read instruction sheet before you start installation and assembly.

Before you start check the parts list to insure all of the parts shown are included.

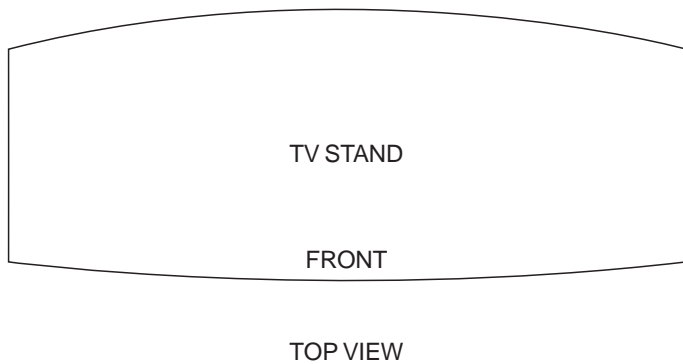
Parts List		FLD-UNV	FLD-UNV-S
Description	Qty	Part #	Part #
A front lockdown bracket	2	124-1063	124-4063
B back lockdown bracket	2	124-1062	124-4062
C 10-16 x 3/4 penta pin screw	2	520-9258	520-9281
D M5 x 1" penta pin tool driver	1	520-9249	520-9249
E #8 x .5 phillips screw	4	500-1011	500-1011
F #14 nylon cap cover	2	560-1158	590-4190
G washer	12	540-9400	540-9400
H #8 x 3/4" phillips screw	4	500-1003	500-1003



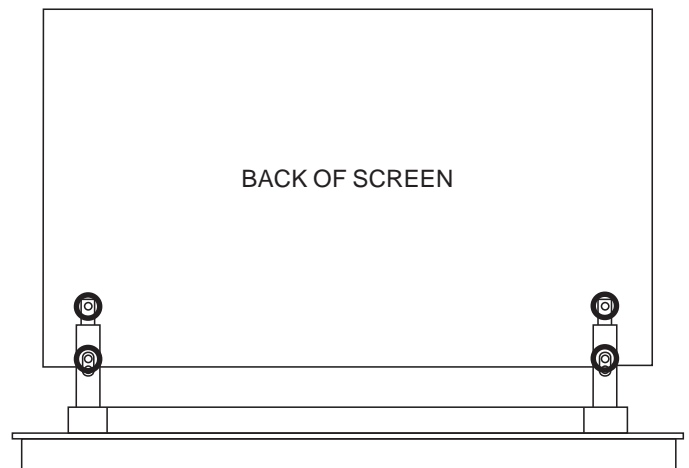
Note: Some parts may appear slightly different than illustrated.

- Position TV stand to proper location and mark front of the stand on the desktop.

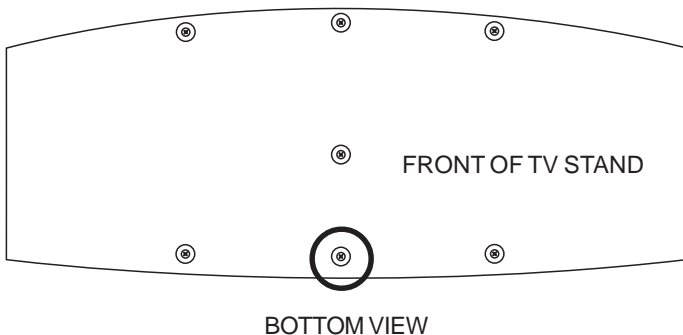
NOTE: Stand may appear different then illustrated.



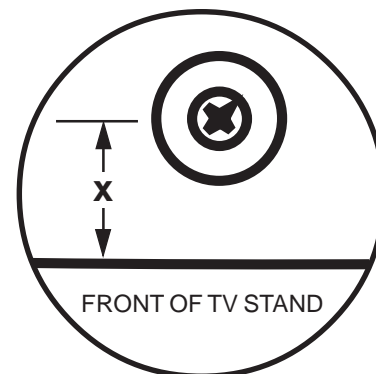
- Remove screws that hold screen to the stand as shown below.



- Flip TV stand upside down and measure from the front of the stand to the center of the screw as shown in detail 1 to get dimension x. Add 1.035" to get the mounting location of the front lockdown bracket (A).



DETAIL 1

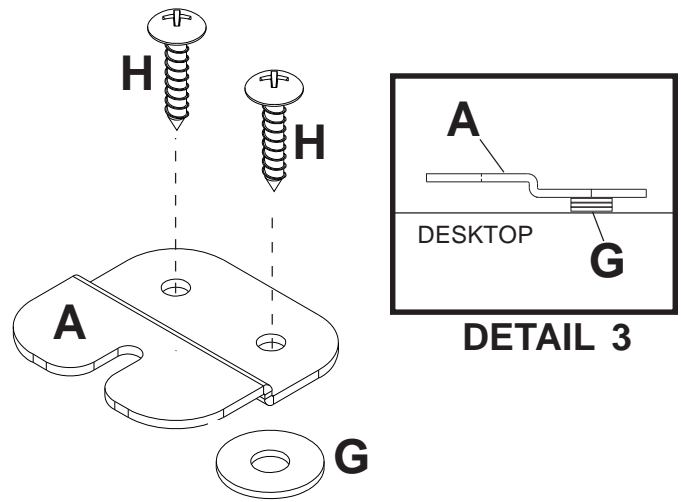
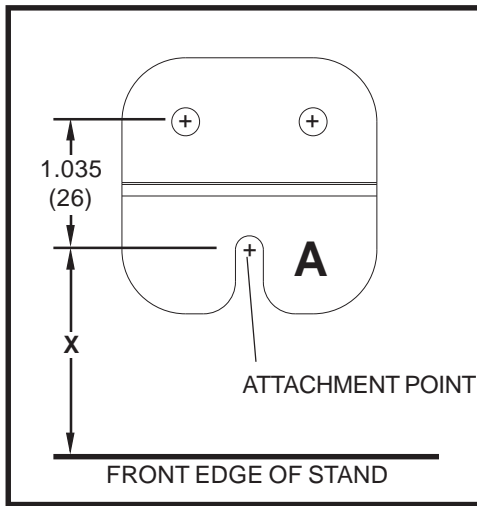


4

Position the front lockdown bracket (A) by adding 1.035" with measurement x in step 3 as shown in detail 2. Attach to desktop using two #8 x 3/4" phillips screws (H).

NOTE: If feet on base are taller than 1/8", use washers (G) between bracket (A) and desktop to achieve desired height as shown in detail 3.

DETAIL 2

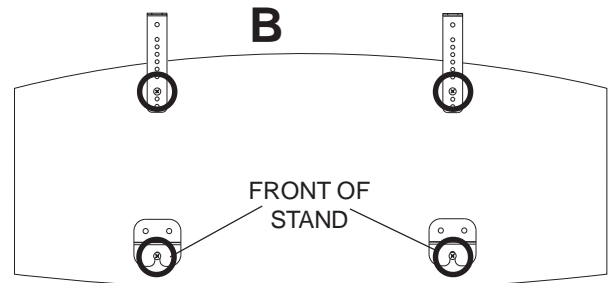
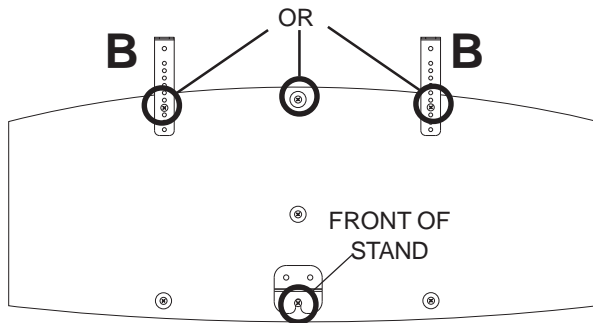


5

Remove rubber feet or screws from one or two locations on back of stand depending on stand. Remove rubber feet or screws from one or two locations on front of stand. Attach back lockdown brackets (B) to stand with screws (E). On front location(s) leave 3/16" gap between stand and screw (E).

IDEAL

ALTERNATE

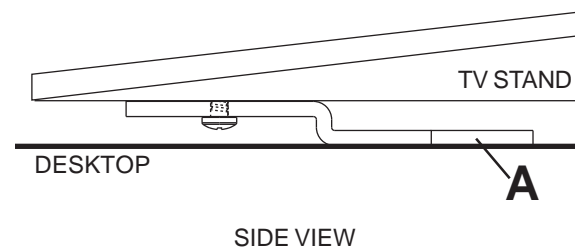
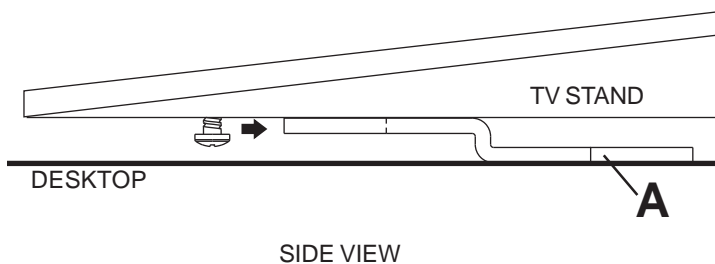


BOTTOM VIEW

BOTTOM VIEW

6

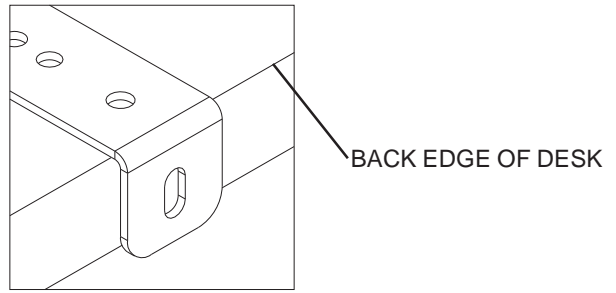
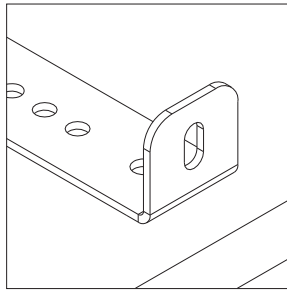
Flip TV stand right side up and slide into front lockdown bracket (A) so that screw in hole 1 locks securely into slot of bracket.



SIDE VIEW

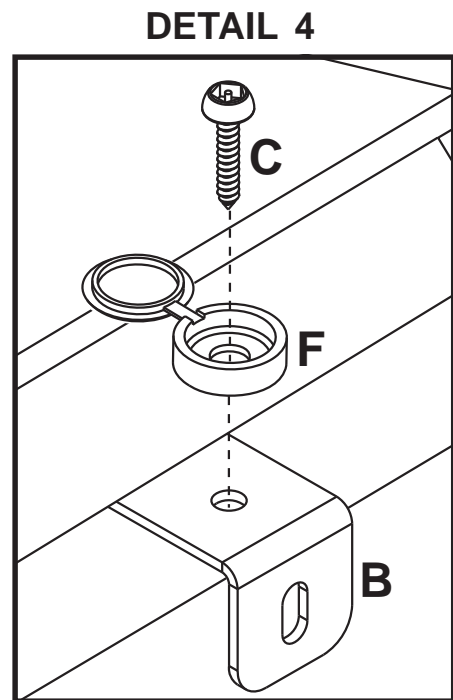
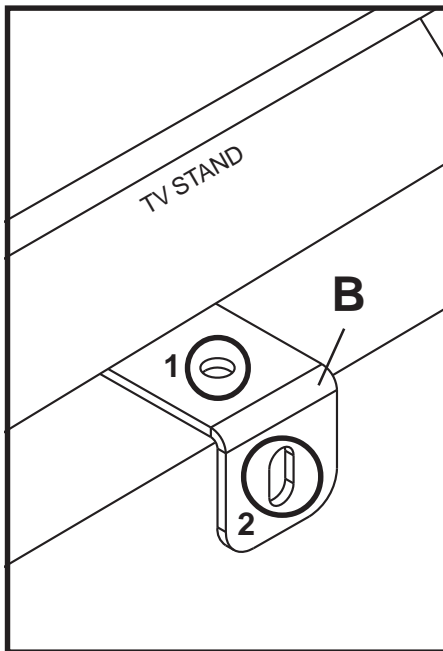
SIDE VIEW

NOTE: Back lockdown bracket (**B**) may be placed with flange facing up to allow the screen to be positioned further forward as shown below.



7 Attach back lockdown brackets (**B**) to desktop using penta pin screws (**C**) at either location 1 or 2. Tighten securely with penta pin driver (**D**).

Note: Use Nylon cap covers (**F**) with penta pin screws (**C**) when using hole 1 of back lockdown bracket (**B**) as shown in detail 4.



Free Manuals Download Website

<http://myh66.com>

<http://usermanuals.us>

<http://www.somanuals.com>

<http://www.4manuals.cc>

<http://www.manual-lib.com>

<http://www.404manual.com>

<http://www.luxmanual.com>

<http://aubethermostatmanual.com>

Golf course search by state

<http://golfingnear.com>

Email search by domain

<http://emailbydomain.com>

Auto manuals search

<http://auto.somanuals.com>

TV manuals search

<http://tv.somanuals.com>