

Installation and Assembly - Unistrut adapter for truss ceiling

Model: ACC 550

IMPORTANT! Read entire instruction sheet before you start installation and assembly.



This product must be installed by a qualified, professional installer.

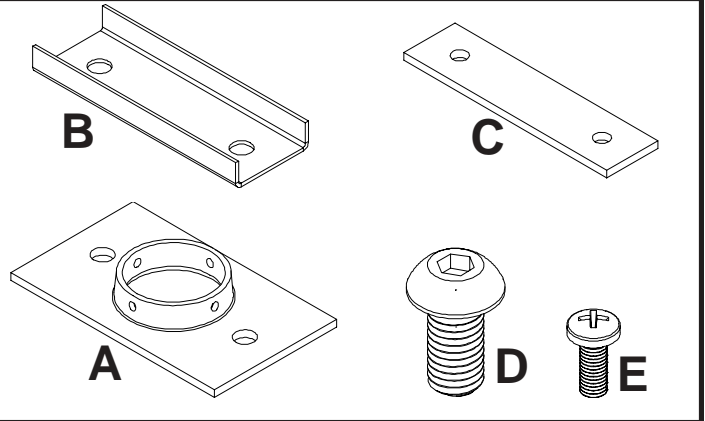
Before you start make sure all parts listed are included with your product.

MAXIMUM LOAD CAPACITY:
250 lb (114 kg)

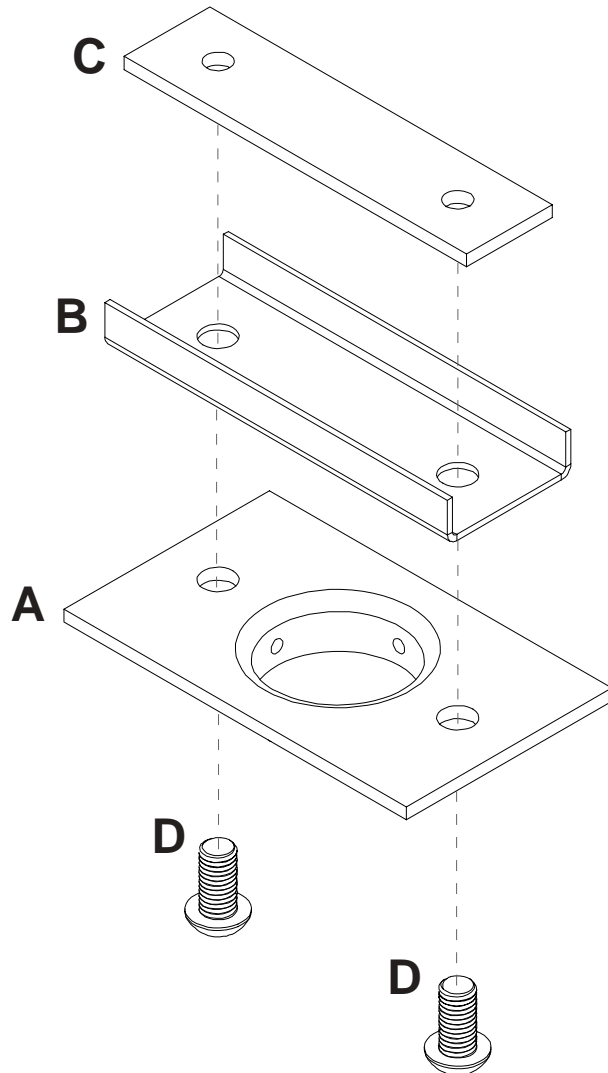
Parts List

PART #	QTY.	DESCRIPTION
A	580-1042	1 mounting body
B	142-1001	1 alignment plate
C	142-1002	1 attachment plate
D	5S1-M10-A20	2 M10 x 20mm socket head screw
E	520-9560	1 10-32 x 1/2" phillips screw

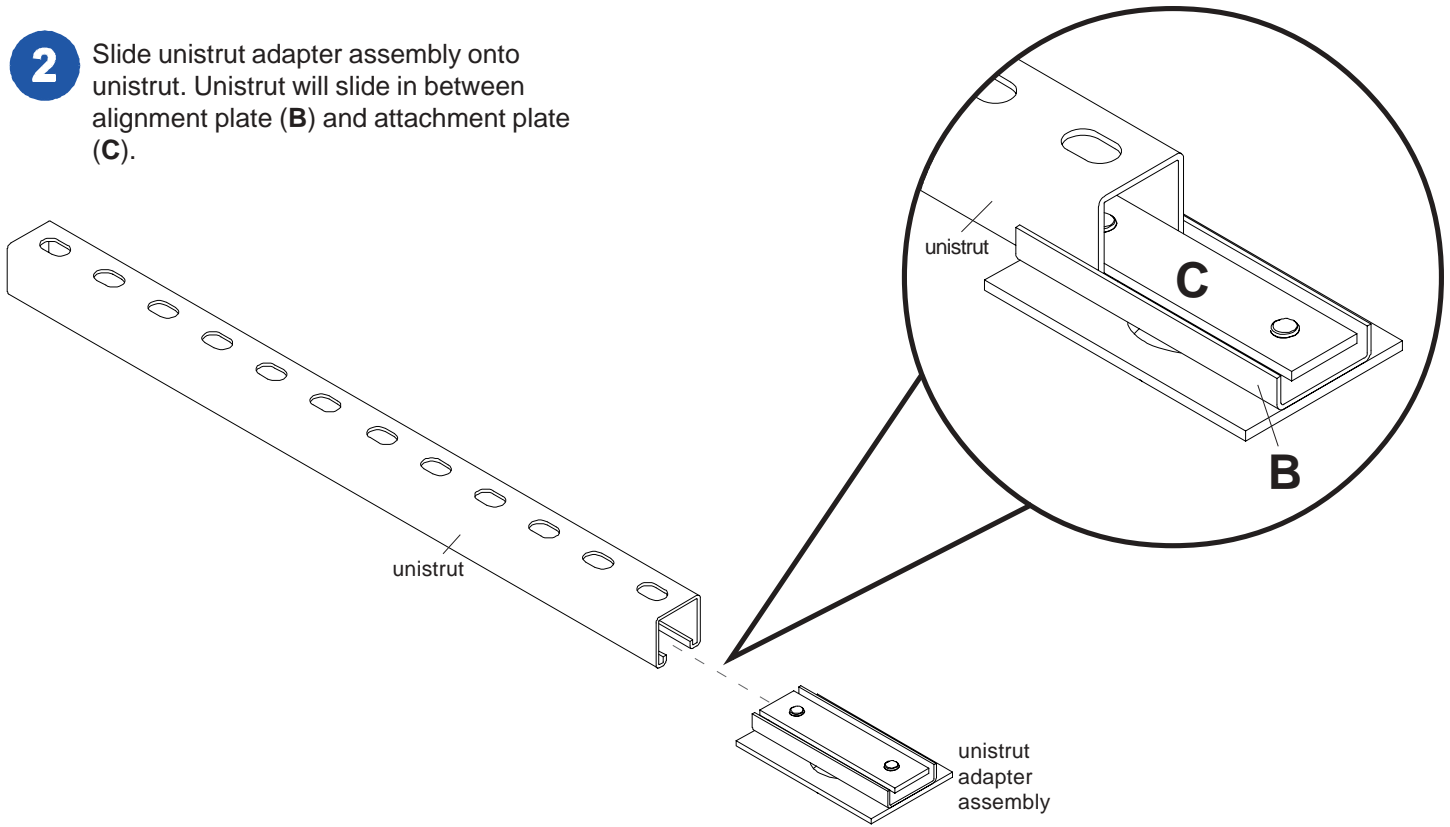
Some parts may appear slightly different than illustrated.



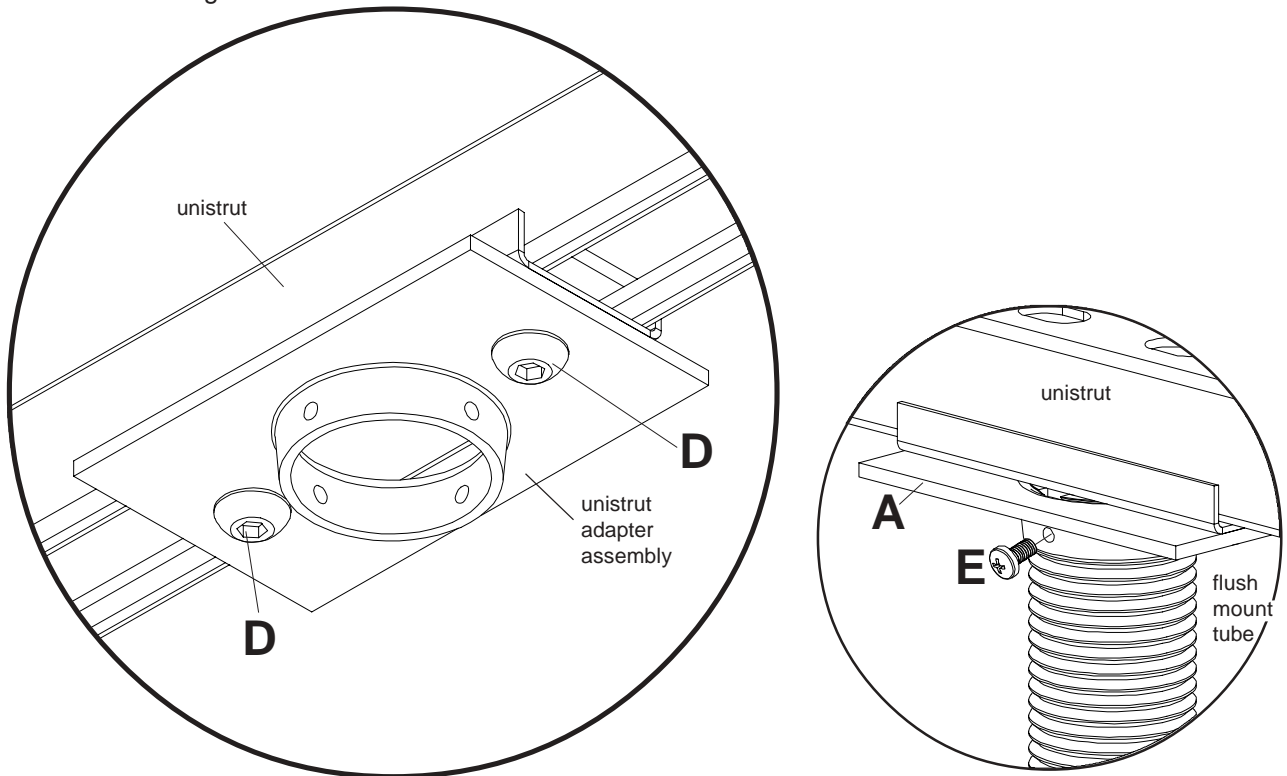
- 1 Attach mounting body (A) to alignment plate (B) using two M10 socket head screws (D) and attachment plate (C).



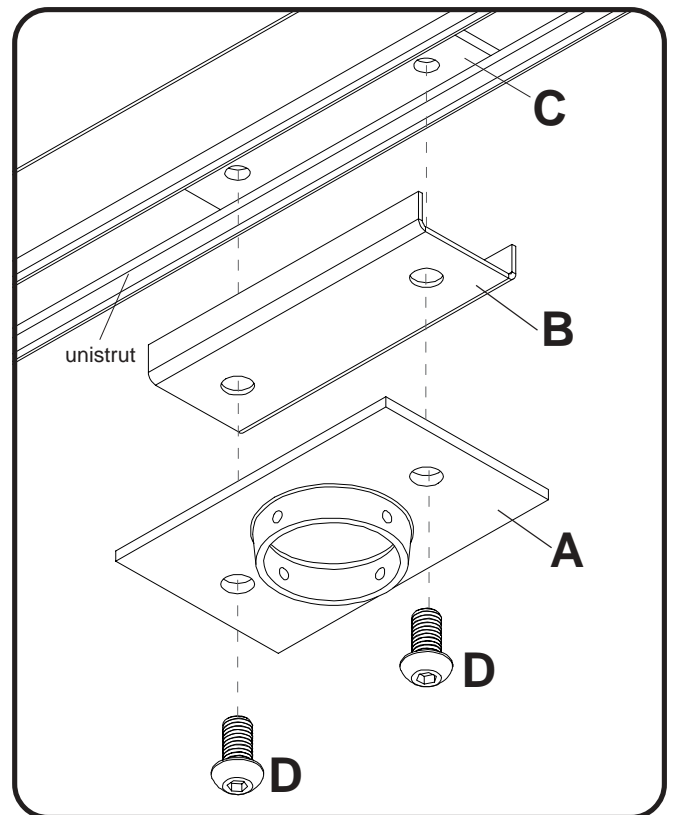
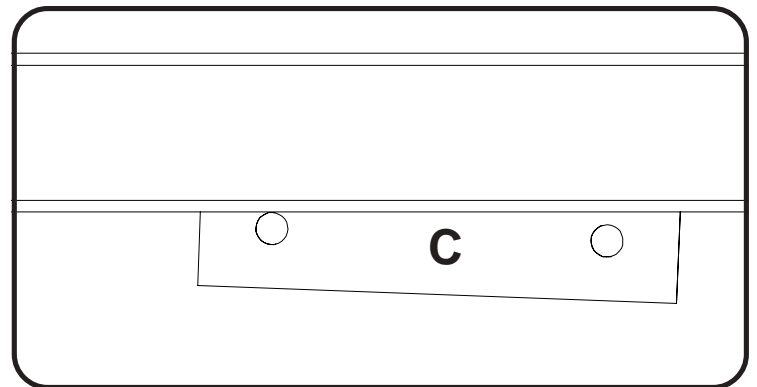
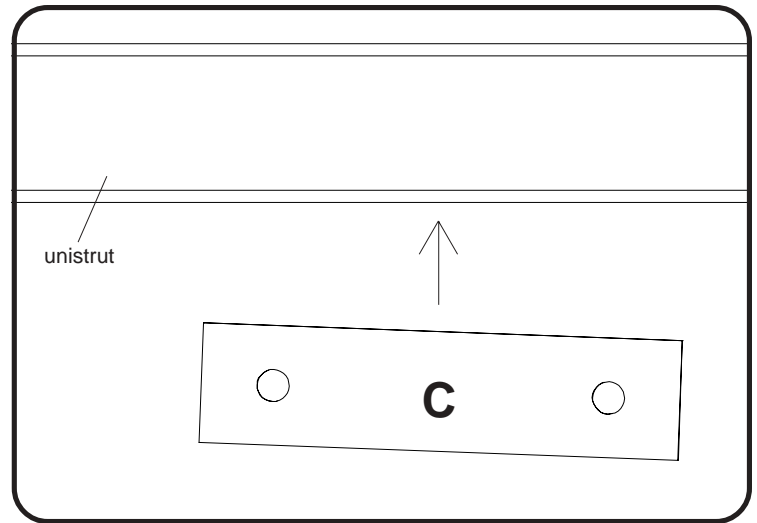
- 2** Slide unistrut adapter assembly onto unistrut. Unistrut will slide in between alignment plate (B) and attachment plate (C).



- 3** Once unistrut adapter assembly is in desired position, tighten M10 socket head screws (D). When attaching the mounting body (A) to flush mount tube or extension column. Tighten at least four complete turns ending with one of the small threaded holes aligned with slot in the end of flush mount tube. Insert and tighten one security screw (E) shown below right.



- 4** If unistrut is closed on both ends place attachment plate (C) inside unistrut. Attach alignment plate (B) and mounting body (A) to attachment plate (C) using two M10 socket head screws (D).



Free Manuals Download Website

<http://myh66.com>

<http://usermanuals.us>

<http://www.somanuals.com>

<http://www.4manuals.cc>

<http://www.manual-lib.com>

<http://www.404manual.com>

<http://www.luxmanual.com>

<http://aubethermostatmanual.com>

Golf course search by state

<http://golfingnear.com>

Email search by domain

<http://emailbydomain.com>

Auto manuals search

<http://auto.somanuals.com>

TV manuals search

<http://tv.somanuals.com>