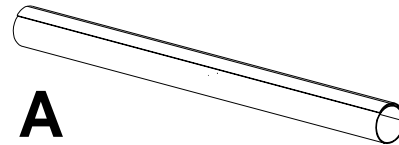


IMPORTANT! Read entire instruction sheet before you start installation and assembly.

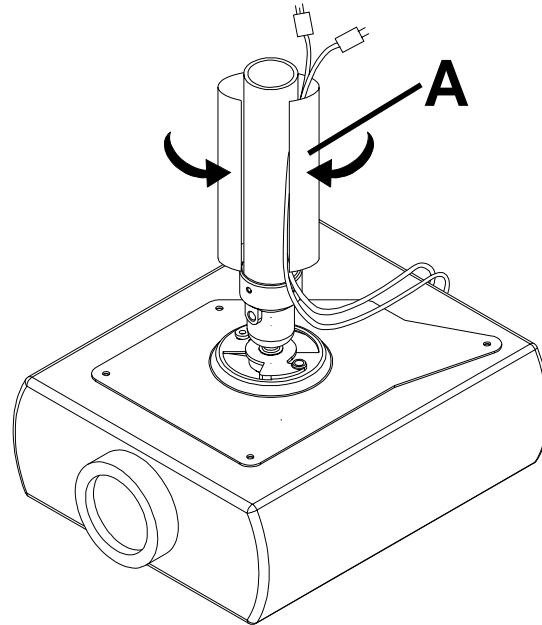
Parts List

	Description	Qty.	Part Number
A	2' coiled cord wrap, black (ACC 852 only)	4	590-1125
	2' coiled cord wrap, white (ACC 852W only)	4	590-2125
	2' coiled cord wrap, silver (ACC 852S only)	4	590-4125
	6' coiled cord wrap, black (ACC 856 only)	4	590-1126
	6' coiled cord wrap, white (ACC 856W only)	4	590-2126

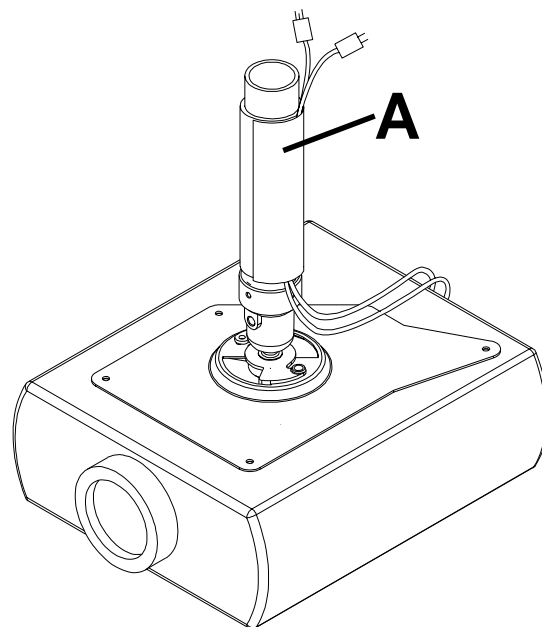
Note: Actual parts may appear slightly different than illustrated.



- 1 Run cords externally along the pipe. Uncoil the cord wrap (A) and place around the cords and pipe.



- 2 Make sure flaps from cord wrap (A) overlap each other. For finished look, turn cord wrap until the seam is facing away from view.



Free Manuals Download Website

<http://myh66.com>

<http://usermanuals.us>

<http://www.somanuals.com>

<http://www.4manuals.cc>

<http://www.manual-lib.com>

<http://www.404manual.com>

<http://www.luxmanual.com>

<http://aubethermostatmanual.com>

Golf course search by state

<http://golfingnear.com>

Email search by domain

<http://emailbydomain.com>

Auto manuals search

<http://auto.somanuals.com>

TV manuals search

<http://tv.somanuals.com>