

INSTALLATION MANUAL
BKMT10, BKMT10/230, AND BKMT10/24
BLOWER KITS



1.0 SCOPE

The information contained within this manual pertains to the BKMT10, BKMT10/230, and BKMT10/24 blower kits.

Installation should be in accordance with all applicable local and national electric codes, utilizing approved materials only.

2.0 DESCRIPTION

The BKMT10, BKMT10/230, and BKMT10/24 are continuous duty blower kits designed for use in either the HT10V or MT10P liquid cooled enclosures.

2.1 MODELS

BKMT10	Blower kit, 6.7 watts @ 120 VAC, 60 Hz, 33 cfm
BKMT10/230	Blower kit, 8.9 watts @ 230 VAC, 50 Hz, 27 cfm
BKMT10/24	Blower kit, 1.92 watts @ 24 VDC (AC rectified), 30 cfm

3.0 INSTALLATION

Install the blower kit in either the HT10V or MT10P enclosure as outlined below.

1. Remove the rear plate of the enclosure, and then remove the camera sled.
2. Assemble blower/blower bracket to sled as shown in Figure 1, items 1–4.
3. Install sled into enclosure.
4. Wire blower to power source using butt splices provided.
5. Re-install rear plate of the enclosure.

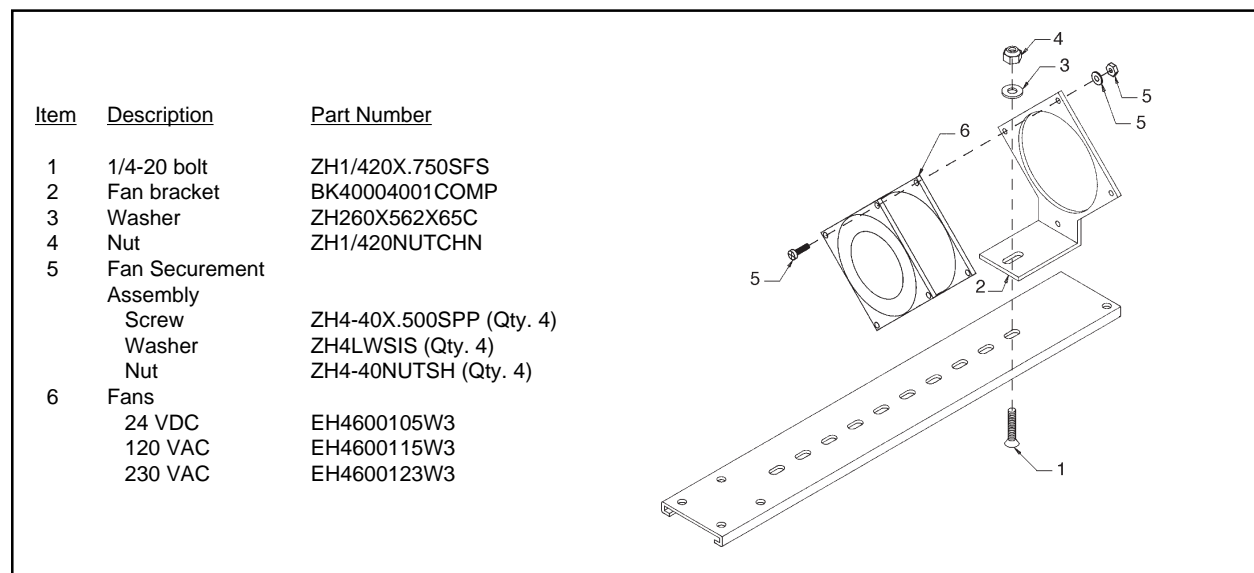


Figure 1. BKMT10 Series Blower Kit Installation

4.0 WARRANTY AND RETURN INFORMATION

WARRANTY

PELCO will repair or replace, without charge, any merchandise proved defective in material or workmanship for a period of one year after the date of shipment (six months on all pan and tilts with auto scan and medium duty scanners, and two years on Legacy, Intercept and CM9500/CM8500 Matrix products). PELCO will warranty all replacement parts and repairs for 90 days from the date of shipment. All goods for warranty work shall be sent freight prepaid to our Clovis, California facility. Repairs made necessary by reason of misuse, alteration, normal wear, or accident are not covered under this warranty. PELCO is not liable for any incidental or consequential expenses or liability incurred by the customer as a result of field repair, installation, or any other reason.

The above warranty is in lieu of any other expressed or implied warranty, condition, or guarantee by PELCO of the equipment listed herein. PELCO makes no warranties except for intended use and will not be liable for any loss, damage, or costs arising, whether consequential or incidental, from the use of said merchandise.

This warranty gives you specific legal rights. You may also have additional rights, which are subject to variation from state to state.

If a warranty repair is required, contact PELCO at (800) 289-9100 or (559) 292-1981 for a Repair Authorization number (RA), and provide the following information:

1. Model and serial number
2. Date of shipment, P.O. number, Sales Order number, or PELCO invoice number
3. Details of the defect or problem

If there is a dispute regarding the warranty of a product which does not fall under the warranty conditions stated above, please include a written explanation with the product when returned.

Ship freight prepaid to: PELCO
300 West Pontiac Way
Clovis, CA 93612-5699

Method of return shipment shall be the same as method by which the repair item is received by PELCO.

RETURNS

In order to expedite parts returned to the factory for repair or credit, please call the factory at (800) 289-9100 or (559) 292-1981 to obtain an authorization number (CA number if returned for credit, and RA number if returned for repair). Goods returned for repair or credit should be clearly identified with the assigned CA/RA number and freight should be prepaid. All merchandise returned for credit may be subject to a 20% restocking and refurbishing charge.

Ship freight prepaid to: PELCO
300 West Pontiac Way
Clovis, CA 93612-5699

PELCO
300 West Pontiac Way, Clovis, CA 93612-5699 (559) 292-1981 • (800) 289-9100
FAX (800) 289-9150 or (559) 292-3827 • DataFAX (800) 289-9108 or (559) 292-0435

(Product specifications subject to change without notice.)

C468M

Free Manuals Download Website

<http://myh66.com>

<http://usermanuals.us>

<http://www.somanuals.com>

<http://www.4manuals.cc>

<http://www.manual-lib.com>

<http://www.404manual.com>

<http://www.luxmanual.com>

<http://aubethermostatmanual.com>

Golf course search by state

<http://golfingnear.com>

Email search by domain

<http://emailbydomain.com>

Auto manuals search

<http://auto.somanuals.com>

TV manuals search

<http://tv.somanuals.com>