



3500 Pelco Way,
Clovis, CA 93612-5699
USA

In North America & Canada:
Tel (800) 289-9100
FAX (800) 289-9150

International Customers:
Tel (1-559) 292-1981
FAX (1-559) 348-1120

www.pelco.com

C1493M-A (8/99) EH2020 Security-Rated Ceiling Enclosure

IMPORTANT SAFEGUARDS AND WARNINGS

Prior to installation and use of this product, the following WARNINGS should be observed.

1. Installation and servicing should only be done by qualified service personnel and conform to all local codes.
2. Unless the unit is specifically marked as a NEMA Type 3, 3R, 3S, 4, 4X, 6, or 6P enclosure, it is designed for indoor use only and it must not be installed where exposed to rain and moisture.
3. Only use replacement parts recommended by Pelco.
4. The camera and lens combination shall not exceed 3.5 pounds (1.59 kg), unless the E2020 is used.
5. The maximum camera and lens combination is 10 pounds (4.5 kg) if the E2020 is used.
6. The installation method and materials should be capable of supporting four times the weight of the enclosure, pan/tilt, camera and lens combination.

The product and/or manual may bear the following marks:



This symbol indicates that dangerous voltage constituting a risk of electric shock is present within this unit.



This symbol indicates that there are important operating and maintenance instructions in the literature accompanying this unit.



Please thoroughly familiarize yourself with the information in this manual prior to installation and operation.

DESCRIPTION

The EH2020 is a small, low-profile ceiling enclosure designed for mounting in fixed or dropped ceilings. It is used for indoor applications only. The unobtrusive, compact design complements any business or office decor and provides maximum discreet surveillance.

The EH2020 is constructed of steel and is engineered for ease of installation and service. The back box is mounted above the ceiling and can be mounted directly on a ceiling tile with the use of two soft-ceiling mounting brackets (included).

The lid is attached to the back box with two tamper-proof screws and is retained by a leash when removed. When removed, it provides convenient access for adjusting the camera and lens. The enclosure has an adjustable camera mounting sled to accommodate cameras of varying sizes.

The EH2020 has an optically clear, impact-resistant Lexan® viewing window which allows no loss of light to the lens and camera.

INSTALLATION

The following items are supplied:

- 1 EH2020 enclosure
- 1 Hex key for tamper-resistant screws
- 1 Thumbscrew, 1/4-20 x 1/2-inch (for camera mounting)
- 2 Soft-ceiling mounting brackets

Hard Ceiling Installation

To mount the EH2020 directly into a hard ceiling, perform the following steps:

1. Determine the location and direction of the enclosure to be mounted. Cut a hole in the ceiling for the enclosure back box. Avoid cutting into any ceiling structural member.
2. Remove the two tamper-proof screws and open the enclosure lid to expose the mounting holes in the back box flange. The enclosure lid is retained by a leash.
3. Remove the appropriate wiring knockouts from the back box.
4. Route the appropriate electrical cables into the back box and insert the back box into the opening in the ceiling. Attach the back box to the ceiling with appropriate screws (not supplied).
5. Remove the camera tilt table base and side brackets in order to install the camera.
6. Mount the camera and lens onto the tilt table base.
7. Make all the necessary electrical connections to the camera and lens.
8. Reinstall the camera, tilt table base, and side brackets. Do not tighten the nuts.
9. Adjust the position of the camera and lens to clear the enclosure lid when closed. Tighten all nuts.
10. Reattach the enclosure lid to the back box with the two tamper-proof screws.

Suspended (Soft) Ceiling Installation

To mount the EH2020 directly into a suspended or soft ceiling, perform the following steps:

1. Determine the location and direction of the enclosure to be mounted. Remove the ceiling tile and cut a hole in it for the enclosure back box.
2. Remove the two tamper-proof screws and open the enclosure lid to expose the mounting holes in the back box flange. The enclosure lid is retained by a leash.
3. Remove the appropriate wiring knockouts from the back box.
4. Attach the back box to the ceiling tile with two soft-ceiling mounting brackets (supplied) and appropriate screws (not supplied).
5. Remove an adjacent ceiling tile.
6. Reinstall the ceiling tile with the enclosure attached and route the appropriate electrical cables into the back box.
7. Remove the camera tilt table base and side brackets in order to install the camera.
8. Mount the camera and lens onto the tilt table base.
9. Make all the necessary electrical connections to the camera and lens.
10. Reinstall the camera, tilt table base, and side brackets. Do not tighten the nuts.
11. Adjust the position of the camera and lens to clear the enclosure lid when closed. Tighten all nuts.
12. Reattach the enclosure lid to the back box with the two tamper-proof screws.
13. Reinstall the adjacent ceiling tile.

MAINTENANCE

Regularly scheduled maintenance will prolong the operational life and appearance of the enclosure.

Clean the outer surface of the enclosure and the viewing window with a nonabrasive cleaning cloth and antistatic cleaner that is safe for use on acrylic plastic. Do not use solvents or any abrasive substance that can scratch the surface.

SPECIFICATIONS

MECHANICAL

Camera Mounting: Adjustable camera sled (vertical or horizontal)

Maximum Camera and Lens Size: Accepts camera and lens combinations (including BNC connector) up to 8 in. L x 2.8 in. W x 3 in. H (20.32 x 7.11 x 7.62 cm)

Maximum Load (Camera and Lens Combination): 3.5 lb (1.6 kg)

Ceiling Mounting: Enclosure back box flange-mounted to fixed ceiling or ceiling tile

Viewing Window: 0.188-inch (4.8 mm) thick Lexan

Window Viewing Area: 2.5 in. H x 3.0 in. W (6.35 x 7.62 cm)

Cable Entry: Two 0.875-inch (2.22 cm) diameter conduit knockouts in front and rear of enclosure back box

Lock: Two tamper-resistant screws (tool for removing screws provided)

GENERAL

Environment: Indoor; 32° to 120°F (0° to 49°C)

Construction: Steel back box and lid

Finish: White epoxy polyester powder coat

Dimensions: See Figure 1

Weight: 3.5 lb (1.6 kg)

(Design and specifications are subject to change without notice.)

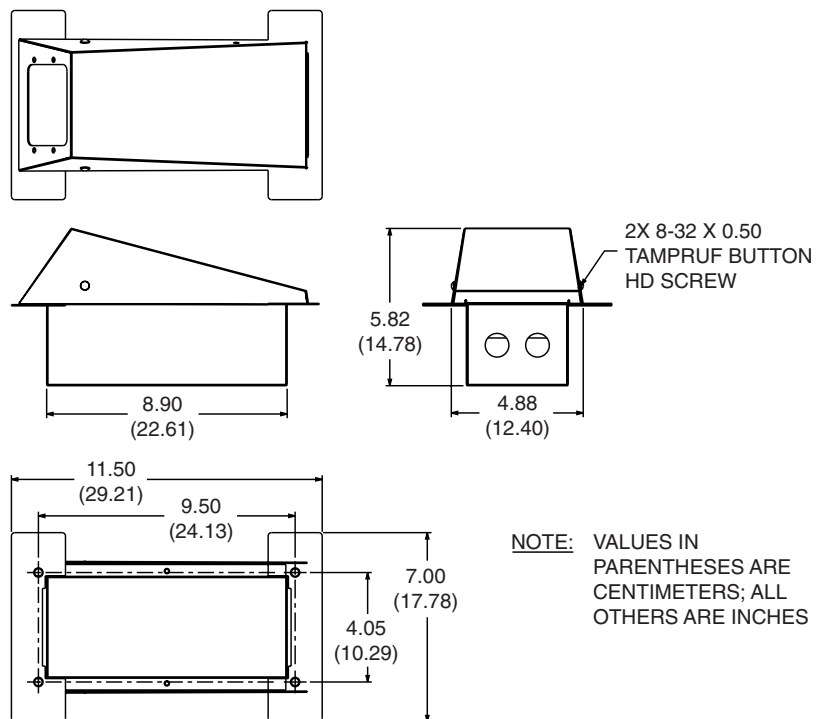


Figure 1. EH2020 Dimension Drawing

PRODUCT WARRANTY AND RETURN INFORMATION

WARRANTY

Pelco will repair or replace, without charge, any merchandise proved defective in material or workmanship **for a period of one year** after the date of shipment.

Exceptions to this warranty are as noted below:

- Five years on FT/FR8000 Series fiber optic products.
- Three years on Genex® Series products (multiplexers, server, and keyboard).
- Three years on Camclosure® and fixed camera models, except the CC3701H-2, CC3701H-2X, CC3751H-2, CC3651H-2X, MC3651H-2, and MC3651H-2X camera models, which have a five-year warranty.
- Two years on standard motorized or fixed focal length lenses.
- Two years on Legacy®, CM6700/CM6800/CM9700 Series matrix, and DF5/DF8 Series fixed dome products.
- Two years on Spectra®, Esprit®, ExSite™, and PS20 scanners, including when used in continuous motion applications.
- Two years on Esprit® and WW5700 Series window wiper (excluding wiper blades).
- Eighteen months on DX Series digital video recorders, NVR300 Series network video recorders, and Endura™ Series distributed network-based video products.
- One year (except video heads) on video cassette recorders (VCRs). Video heads will be covered for a period of six months.
- Six months on all pan and tilts, scanners or preset lenses used in continuous motion applications (that is, preset scan, tour and auto scan modes).

Pelco will warrant all replacement parts and repairs for 90 days from the date of Pelco shipment. All goods requiring warranty repair shall be sent freight prepaid to Pelco, Clovis, California. Repairs made necessary by reason of misuse, alteration, normal wear, or accident are not covered under this warranty.

Pelco assumes no risk and shall be subject to no liability for damages or loss resulting from the specific use or application made of the Products. Pelco's liability for any claim, whether based on breach of contract, negligence, infringement of any rights of any party or product liability, relating to the Products shall not exceed the price paid by the Dealer to Pelco for such Products. In no event will Pelco be liable for any special, incidental or consequential damages (including loss of use, loss of profit and claims of third parties) however caused, whether by the negligence of Pelco or otherwise.

The above warranty provides the Dealer with specific legal rights. The Dealer may also have additional rights, which are subject to variation from state to state.

If a warranty repair is required, the Dealer must contact Pelco at (800) 289-9100 or (559) 292-1981 to obtain a Repair Authorization number (RA), and provide the following information:

1. Model and serial number
2. Date of shipment, P.O. number, Sales Order number, or Pelco invoice number
3. Details of the defect or problem

If there is a dispute regarding the warranty of a product which does not fall under the warranty conditions stated above, please include a written explanation with the product when returned.

Method of return shipment shall be the same or equal to the method by which the item was received by Pelco.

RETURNS

In order to expedite parts returned to the factory for repair or credit, please call the factory at (800) 289-9100 or (559) 292-1981 to obtain an authorization number (CA number if returned for credit, and RA number if returned for repair).

All merchandise returned for credit may be subject to a 20% restocking and refurbishing charge.

Goods returned for repair or credit should be clearly identified with the assigned CA or RA number and freight should be prepaid. Ship to the appropriate address below.

If you are located within the continental U.S., Alaska, Hawaii or Puerto Rico, send goods to:

Service Department
Pelco
3500 Pelco Way
Clovis, CA 93612-5699

If you are located outside the continental U.S., Alaska, Hawaii or Puerto Rico and are instructed to return goods to the USA, you may do one of the following:

If the goods are to be sent by a COURIER SERVICE, send the goods to:

Pelco
3500 Pelco Way
Clovis, CA 93612-5699 USA

If the goods are to be sent by a FREIGHT FORWARDER, send the goods to:

Pelco c/o Expeditors
473 Eccles Avenue
South San Francisco, CA 94080 USA
Phone: 650-737-1700
Fax: 650-737-0933

REVISION HISTORY

Manual #	Date	Comments
C1493M	9/98	Original version.
C1493M-A	8/99	Added maximum load, removed service manual information, reformatted manual.
	8/18/99	Added certifications and revised <i>Important Safeguards and Warnings</i> section.

Free Manuals Download Website

<http://myh66.com>

<http://usermanuals.us>

<http://www.somanuals.com>

<http://www.4manuals.cc>

<http://www.manual-lib.com>

<http://www.404manual.com>

<http://www.luxmanual.com>

<http://aubethermostatmanual.com>

Golf course search by state

<http://golfingnear.com>

Email search by domain

<http://emailbydomain.com>

Auto manuals search

<http://auto.somanuals.com>

TV manuals search

<http://tv.somanuals.com>