



DX7000 Series Digital Video Recorder



C664M-B (8/02)

CONTENTS

Section	Page
IMPORTANT SAFEGUARDS AND WARNINGS	3
WELCOME	4
MOUNTING	5
FLAT SURFACE MOUNTING	5
EQUIPMENT RACK MOUNTING	5
BACK PANEL LAYOUT	6
BASIC INSTALLATION	7
EXTENDED INSTALLATION	8
SPECIFICATIONS	10
REGULATORY NOTICES	11
WARRANTY AND RETURN INFORMATION	11

LIST OF ILLUSTRATIONS

Figure	Page
1 Rack Ear Installation	5
2 Back Panel Layout	6
3 Basic Equipment Installation	7
4 Extended Equipment Installation	8
5 PTZ Installation	8
6 Bottom View of the RS-422 Converter	9

IMPORTANT SAFEGUARDS AND WARNINGS

Prior to installation and use of this product, the following WARNINGS should be observed.

1. Installation and servicing should be done only by qualified service personnel and conform to all local codes.
2. Unless the unit is specifically marked as a NEMA Type 3, 3R, 3S, 4, 4X, 6, or 6P enclosure, it is designed for indoor use only and it must not be installed where exposed to rain and moisture.
3. Only use replacement parts recommended by Pelco.
4. After replacement/repair of this unit's electrical components, conduct a resistance measurement between line and exposed parts to verify the exposed parts have not been connected to line circuitry.
5. For USA and Canada, use only a UL listed CSA labeled detachable power cord, 3-conductor, 18 AWG, SVT, or SJT type, round type plug, parallel blade, cord connector body IEC 320 style to mate with inlet on product.
6. To reduce the risk of fire, use only No. 2 AWG or larger telecommunications line cord.

IMPORTANT: The only way to disconnect power completely is to unplug the power cord. Make sure at least one end of the power cord is within easy reach so that the unit can be unplugged when required.

CAUTION: DANGER OF EXPLOSION IF BATTERY IS INCORRECTLY REPLACED. REPLACE ONLY WITH THE SAME OR EQUIVALENT TYPE RECOMMENDED BY THE MANUFACTURER. DISCARD USED BATTERIES ACCORDING TO THE MANUFACTURER'S INSTRUCTIONS.

The product and/or manual may bear the following marks:



This symbol indicates that dangerous voltage constituting a risk of electric shock is present within this unit.

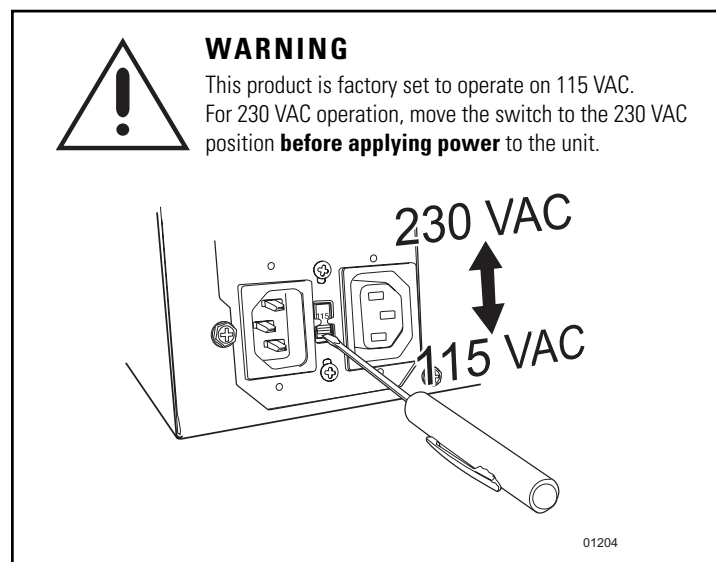


This symbol indicates that there are important operating and maintenance instructions in the literature accompanying this unit.

CAUTION:

RISK OF ELECTRIC SHOCK.
DO NOT OPEN.

Please thoroughly familiarize yourself with the information in this manual prior to installation and operation.



WELCOME

Thank you for purchasing Pelco's DX7000 Series, high-quality digital video recorder (DVR). Your new system combines the functions of a recorder and multiplexer into a product with versatile recording and playback functions.

The following equipment is supplied with the DX7000 Series DVR:

Qty	Description
1	Keyboard
1	Mouse
1	RS-422 communication converter, including power adapter
1	9-pin to 25-pin adapter
2	Power cables (1 USA standard and 1 European standard)
2	Keys for front panel
1	Microsoft Windows® 98 CD
1	DX7000 Remote Site Software CD
6	10-32 x .75-inch black mounting screws and washers
2	Rack Mount ears, handles, and hardware (assembly required)
4	Rubber feet
1	Installation manual
1	Operation/Programming manual

NOTE: An uninterruptible power supply (UPS) is not supplied with the DVR. If required, Pelco recommends a device with the following specifications:

- Capacity – 350 VA, 210 watts
 - Output voltage – 115V ± 8% (on battery)
 - Frequency range – 47 Hz to 63 Hz
-

MOUNTING

The DX7000 may be placed on a flat surface, such as a shelf, or it can be installed in a 19-inch (48.26 cm) equipment rack.

FLAT SURFACE MOUNTING

Before placing the unit on a flat surface, attach the rubber feet (supplied) to the bottom of the DVR. The unit may scratch the surface if the rubber feet are not installed.

EQUIPMENT RACK MOUNTING

To install the unit in an equipment rack:

1. Attach the handles to the rack ears using four of the Phillips flat head screws (provided). Refer to Figure 1.
2. Remove the top screw and bottom screw from the left and right side of the DVR. Remove the side plates. Refer to Figure 1.
3. Use the screws removed from the sides of the DVR and attach the rack ears to the unit. Refer to Figure 1.
4. Use four of the supplied 10-32 x .75-inch black screws and finishing washers and mount the assembly to a 19-inch (48.26 cm) rack or console. Installation of the assembly may require two persons. Pelco recommends 1RU spacing between units.

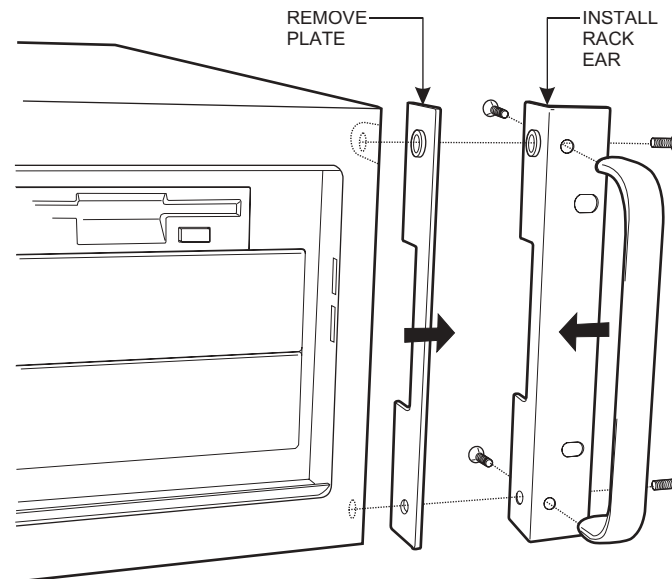


Figure 1. Rack Ear Installation

IMPORTANT: Slots and openings in the cabinet provide ventilation and prevent it from overheating. Do not block these openings. Never place the DVR near or over a radiator or heat register. Do not place it in a built-in installation, such as a rack, unless proper ventilation is provided or Pelco's instructions have been followed.

BACK PANEL LAYOUT

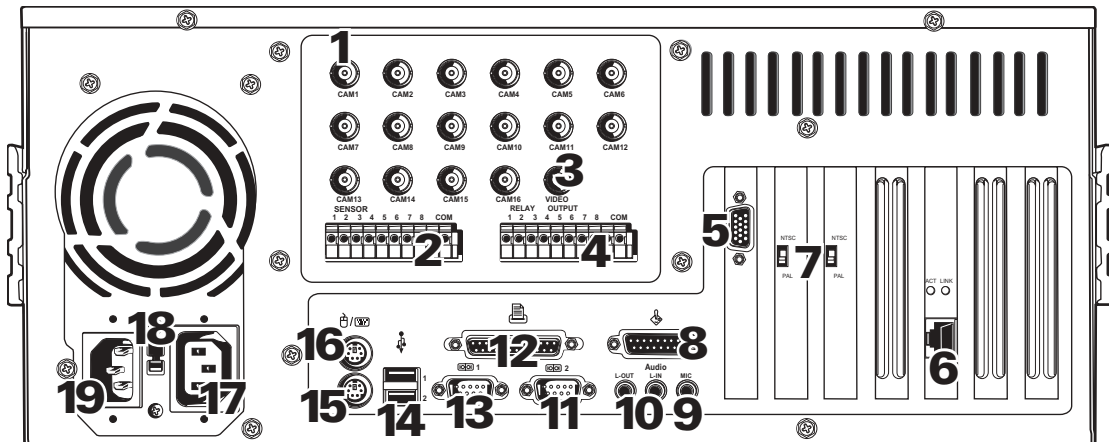


Figure 2. Back Panel Layout

- 1** Camera Inputs – 8 or 16 BNC camera inputs
- 2** Alarm Inputs – 8 normally closed dry contact inputs
- 3** Analog Monitor Output – One BNC output (sequencing only)
- 4** Relay Outputs – 8 normally open dry contact outputs
- 5** VGA Monitor Output – 15-pin output
- 6** Ethernet Adapter Port – 10/100 port
- 7** NTSC/PAL Selection Switches
- 8** Joystick Port (Not used)
- 9** Microphone Jack (Not used)
- 10** Audio IN/OUT (Not used)
- 11** COM 2 Serial Port – 9-pin port
- 12** LPT1 Printer Port – 25-pin port
- 13** COM 1 Serial Port – 9-pin port
- 14** USB Ports – For Pelco-supported devices only
- 15** Keyboard (PS/2) Input
- 16** Mouse (PS/2) Input
- 17** AC Power Output
- 18** Power Voltage Selection Switch – This product is set at the factory to operate on 115 VAC. For 230 VAC operation, move the switch to the 230 VAC position **before applying power** to the unit.
- 19** AC Power Input – Please see *Important Safeguards and Warnings*.

BASIC INSTALLATION

Basic installation covers all the equipment necessary to program and operate the system. Refer to the *Extended Installation* section for PTZ, alarm, sensors, and network connections.

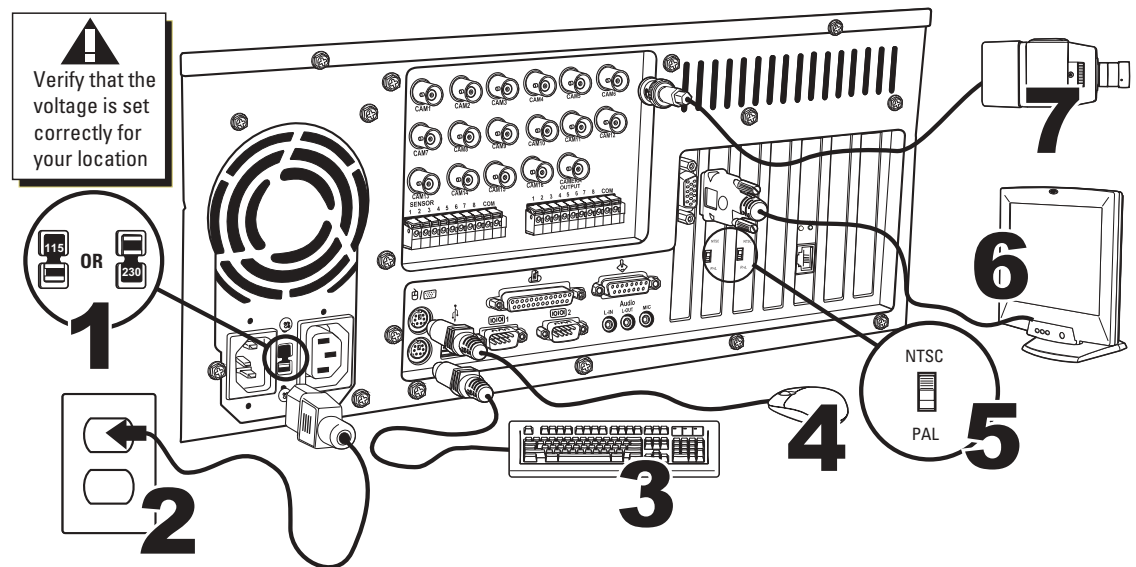


Figure 3. Basic Equipment Installation

- 1** Set the Voltage Selection Switch - Verify that the voltage selection switch is set correctly for your location. This product is set at the factory to operate on 115 VAC. For 230 VAC operation, move the switch to the 230 VAC position **before applying power** to the unit.
- 2** Connect the power cord to the AC input located on the back panel. Plug the other end of the power cord into an AC outlet.
- 3** Connect the keyboard to the bottom PS/2 input.
- 4** Connect the mouse to the top PS/2 input.
- 5** Set the NTSC/PAL switches to the correct camera setting for your location.
- 6** Connect the VGA monitor (not supplied).
- 7** Connect the cameras. Refer to the following table for video coaxial cable requirements:

Video Coaxial Cable Requirements

Cable Type*	Maximum Distance
RG59/U	750 ft (229 m)
RG6/U	1,000 ft (305 m)
RG11/U	1,500 ft (457 m)

* Minimum cable requirements:
 75 ohms impedance
 All-copper center conductor
 All-copper braided shield with 95% braid coverage

EXTENDED INSTALLATION

Extended installation covers installation of accessories for the DX7000. Refer to the *Basic Installation* section to install the basic equipment necessary to program and operate the system.

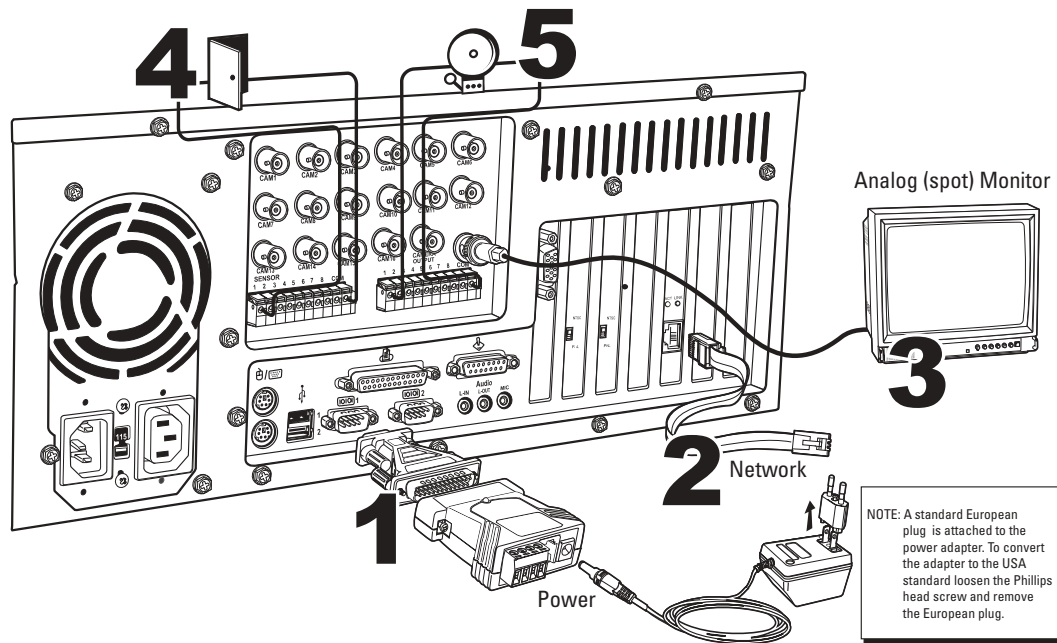


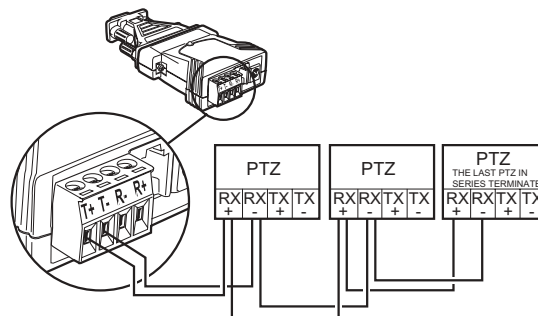
Figure 4. Extended Equipment Installation

1 PTZ (RS-422 Converter)

To control receivers with pan/tilt and zoom functions, such as Pelco's Esprit™ and Spectra® systems, you must install the RS-422 communication converter. The DX7000 DVR cannot operate PTZ receivers if the RS-422 converter is not installed and the PTZ receiver address is not set to accept D protocol control. For information on setting the receiver address for D-type control, refer to the documentation supplied with the PTZ receiver.

Do the following to install the RS-422 converter:

- Connect the control wires from the receiver to the RS-422 converter (refer to Figure 5). The DX7000 can support up to 16 PTZ devices, at a maximum of 4,000 feet (1,219 m).
- Set the DTE/DCE switch located on the bottom of the converter to DCE (refer to Figure 6).
- Plug the RS-422 converter into the 9-pin to 25-pin adapter.
- Plug the pin converter into the COM 1 Port.
- Attach the power adapter to the RS-422 converter.
- Plug power adapter into a power source.



SUPPORTS UP TO 16 PTZ
MAXIMUM: 4,000 FEET (1,219M)

Figure 5. PTZ Installation

NOTE: The DX7000 may be connected to Pelco's CM9760-CXT-A for Coaxitron® control. Refer to the manual for the CM9760-CXT-A for installation instructions.

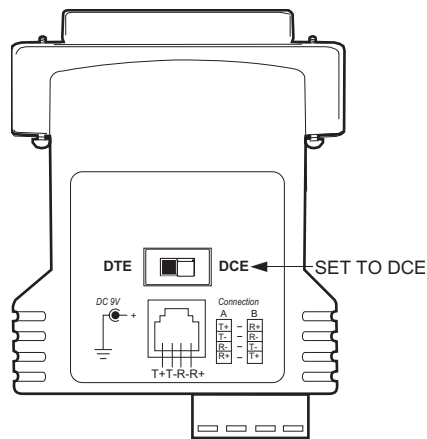


Figure 6. Bottom View of the RS-422 Converter

2 TCP/IP Access

Consult your network administrator to avoid possible network conflicts. For TCP/IP access, connect the DX7000 to a 10/100 Ethernet network. Use a standard UTP Cat5 cable with RJ-45 connectors. Plug the cable into the LAN port located on the back of the unit. Use a router with multi-casting when connecting to a WAN network.

3 Analog Spot Monitor (Sequencing only)

You can connect an analog monitor to the DX7000. This monitor is for viewing purposes only. Programming menus and bars are not displayed on the screen. All enabled cameras are displayed on the monitor in a sequential order.

Connect the analog spot monitor to the output labeled VIDEO OUTPUT.

4 Sensor (Alarm) Inputs

The DX7000 has eight normally closed dry contact sensor inputs. Sensor inputs require an open circuit contact, such as a switch or relay, to trigger an alarm.

To wire a sensor input:

- a. Connect one wire from the source device (for example, a door) to one of the sensor input terminals 1 through 8.
- b. Connect a second wire from the source device to the COM terminal.

5 Relay Outputs (Maximum power rating 125 VAC, 0.5A; 30VDC, 1A)

The DX7000 has eight normally opened dry contact relay outputs. A signal from a output will operate the device connected to the output.

To wire a relay output:

- a. Connect one wire from the device (for example, an alarm) to one of the relay output terminals 1 through 8.
- b. Connect a second wire from the relay device to the COM terminal.

NOTE: The sensor input does not have to correspond numerically to the relay output. All sensor input and relay output actions are linked through programming. Refer to the Operation/Programming manual for details.

Refer to the Operation/Programming manual for instructions on how to set up and operate the DX7000 DVR.

SPECIFICATIONS

ELECTRICAL/VIDEO

Input Voltage:	100-240 VAC switchable, 50/60 Hz
Signal System:	NTSC/PAL
CPU and RAM	
DX7008:	Celeron®, 128 MB
DX7016:	Pentium® III, 128 MB
Resolution	
NTSC:	320 x 240
PAL:	384 x 288
Compression:	M-JPEG
Compressed Image Size:	352 x 240; average 6 KB
Video Inputs:	8 or 16, depending on model
Video Outputs:	2 (1 SVGA, 1 analog)
Alarm Inputs:	8
Control Outputs:	8
Remote Control:	Full remote control via PSTN, ISDN, TCP/IP
Pan/Tilt/Zoom Control:	RS-422 interface to receivers

GENERAL

Operating Temperature:	41° to 104°F (5° to 40°C)
Relative Humidity:	Maximum 80% non-condensing
Dimensions:	7 (H) x 17 (W) x 18 (D) inches (17.78 x 43.18 x 45.72 cm)

(Design and product specifications subject to change without notice.)

REGULATORY NOTICES

This equipment has been tested and found to comply with the limits of a Class B digital device, pursuant to part 15 of the FCC rules. These limits are designed to provide reasonable protection against harmful interference in a residential installation. This equipment generates, uses, and can radiate radio frequency energy and, if not installed and used in accordance with the instructions, may cause harmful interference to radio communications. However there is no guarantee that the interference will not occur in a particular installation. If this equipment does cause harmful interference to radio or television reception, which can be determined by turning the equipment off and on, the user is encouraged to try and correct the interference by one or more of the following measures:

- Reorient or relocate the receiving antenna.
- Increase the separation between the equipment and the receiver.
- Connect the equipment into an outlet on a circuit different from that to which the receiver is connected.
- Consult the dealer or an experienced radio/TV technician for help.

WARRANTY AND RETURN INFORMATION

WARRANTY

Pelco will repair or replace, without charge, any merchandise proved defective in material or workmanship for a period of one year after the date of shipment. Exceptions to this warranty are as noted below:

- Five years on Pelco manufactured cameras (CC3500/CC3600/CC3700 and MC3500/MC3600 Series); two years on all other cameras.
- Three years on Genex® Series (multiplexers, server, and keyboard).
- Two years all standard motorized or fixed focal length lenses.
- Two years on Legacy®, Camclosure™ Camera Systems, CM6700/CM6800/CM8500/CM9500/CM9740/CM9760 Matrix, DF5 and DF8 Series Fixed Dome products.
- Two years on Spectra®, Esprit™, and PS20 Scanners, including when used in continuous motion applications.
- Two years on WW5700 series window wiper (excluding wiper blades).
- Eighteen months on DX Series digital video recorders.
- One year (except video heads) on video cassette recorders (VCRs). Video heads will be covered for a period of six months.
- Six months on all pan and tilts, scanners or preset lenses used in continuous motion applications (that is, preset scan, tour and auto scan modes).

Pelco will warrant all replacement parts and repairs for 90 days from the date of Pelco shipment. All goods requiring warranty repair shall be sent freight prepaid to Pelco, Clovis, California. Repairs made necessary by reason of misuse, alteration, normal wear, or accident are not covered under this warranty.

Pelco assumes no risk and shall be subject to no liability for damages or loss resulting from the specific use or application made of the Products. Pelco's liability for any claim, whether based on breach of contract, negligence, infringement of any rights of any party or product liability, relating to the Products shall not exceed the price paid by the Dealer to Pelco for such Products. In no event will Pelco be liable for any special, incidental or consequential damages (including loss of use, loss of profit and claims of third parties) however caused, whether by the negligence of Pelco or otherwise.

The above warranty provides the Dealer with specific legal rights. The Dealer may also have additional rights, which are subject to variation from state to state.

If a warranty repair is required, the Dealer must contact Pelco at (800) 289-9100 or (559) 292-1981 to obtain a Repair Authorization number (RA), and provide the following information:

1. Model and serial number
2. Date of shipment, P.O. number, Sales Order number, or Pelco invoice number
3. Details of the defect or problem

If there is a dispute regarding the warranty of a product which does not fall under the warranty conditions stated above, please include a written explanation with the product when returned.

Method of return shipment shall be the same or equal to the method by which the item was received by Pelco.

RETURNS

In order to expedite parts returned to the factory for repair or credit, please call the factory at (800) 289-9100 or (559) 292-1981 to obtain an authorization number (CA number if returned for credit, and RA number if returned for repair).

All merchandise returned for credit may be subject to a 20% restocking and refurbishing charge.

Goods returned for repair or credit should be clearly identified with the assigned CA or RA number and freight should be prepaid. Ship to the appropriate address below.

If you are located within the continental U.S., Alaska, Hawaii or Puerto Rico:

Service Department
Pelco
3500 Pelco Way
Clovis, CA 93612-5699

If you are located outside the continental U.S., Alaska, Hawaii or Puerto Rico:

Intermediate Consignee
American Overseas Air Freight
320 Beach Road
Burlingame, CA 94010
USA

Ultimate Consignee
Pelco
3500 Pelco Way
Clovis, CA 93612-5699
USA

REVISION HISTORY

Manual #	Date	Comments
C664M	4/02	Original version.
C664M-A	5/02	Revised installation instructions.
C664M-B	8/02	Added information to <i>Safeguards and Warnings</i> .

® Pelco, the Pelco logo, Spectra, Genex, Legacy, and Coaxitron are registered trademarks of Pelco.

® Windows is a registered trademark of Microsoft Corporation.

® Pentium and Celeron are registered trademarks of Intel Corporation.

™ Esprit and Camclosure are trademarks of Pelco.

© Copyright 2002, Pelco.

All rights reserved.



World Headquarters
3500 Pelco Way
Clovis, California 93612 USA

USA & Canada
Tel: 800/289-9100
Fax: 800/289-9150

International
Tel: 1-559/292-1981
Fax: 1-559/348-1120

www.pelco.com

ISO9001

Orangeburg, New York | Las Vegas, Nevada | Eindhoven, The Netherlands | Wokingham, United Kingdom | Montreal, Canada

Free Manuals Download Website

<http://myh66.com>

<http://usermanuals.us>

<http://www.somanuals.com>

<http://www.4manuals.cc>

<http://www.manual-lib.com>

<http://www.404manual.com>

<http://www.luxmanual.com>

<http://aubethermostatmanual.com>

Golf course search by state

<http://golfingnear.com>

Email search by domain

<http://emailbydomain.com>

Auto manuals search

<http://auto.somanuals.com>

TV manuals search

<http://tv.somanuals.com>