



WM5000 Series Wall Mount Kit




For Endura® Modules

C1616M-A (1/08)

Description

With a WM5000 Series wall mount kit, you can attach up to four Endura modules to the wall in any orientation. The WM5001-4U is a base kit consisting of a wall bracket and a module sleeve with a cover plate.

 **WARNING:** Do not attach more than four module sleeves with modules. The excessive weight can cause the equipment to fall from the wall.

Expansion kits are available if you want to add more module sleeves to a wall bracket. The WM5001-4UEXP expansion kit consists of an additional module sleeve.

The wall bracket and module sleeve interlock are secured with two 4-40 screws, which are located on the module sleeve. Module sleeves attach to one another in the same way. The wall bracket can support up to four module sleeves.

Rubber feet are attached to the wall bracket giving you the option of desktop placement for stacking the modules.

MODELS

WM5001-4U	Wall mount base kit for a single module
WM5001-4UEXP	Wall mount expansion kit for an additional module

Installation

PACKAGE CONTENTS

WM5001-4U

- 1 Wall bracket
- 1 Module sleeve with cover plate

WM5001-4UEXP

- 1 Module sleeve

MOUNTING A WALL BRACKET

You can mount a wall bracket onto a wall so that the modules can be inserted into the sleeves from the right, left, top, or bottom.

NOTE: The back of the wall bracket has four rubber feet for placing the mount on a desk. The feet do not need to be removed if the mount is installed on a wall.

To mount a wall bracket, follow these steps and refer to Figure 1.

1. Position the bracket on the wall in your desired orientation.
2. Drill four holes into the wall.
3. Secure the wall bracket to the wall using four 8-32 screws with washers (not supplied).

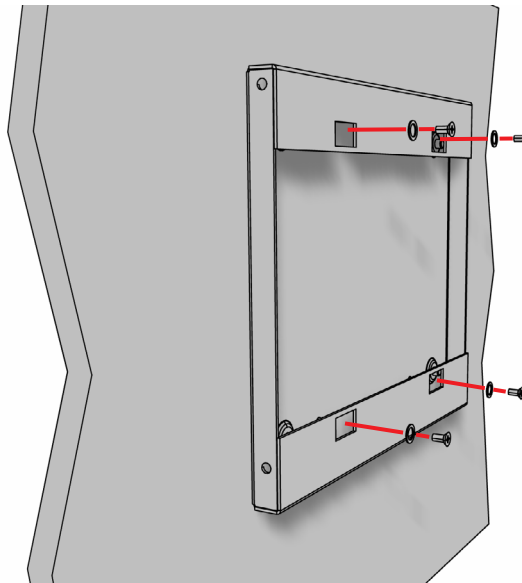


Figure 1. Wall Bracket Mounting

ATTACHING A MODULE SLEEVE

Your base kit comes with a single module sleeve. The optional expansion kits allow you to add more module sleeves.

⚠ WARNING: Do not attach more than four module sleeves with modules. The excessive weight can cause the equipment to fall from the wall.

To attach a module sleeve, follow these steps and refer to Figure 2.

1. Attach the module sleeve to the wall bracket by inserting the four tabs on the module sleeve into the four openings on the wall bracket.
2. Remove the two 4-40 screws from location A and screw them into location B.

You must remove the cover plate on the module sleeve before adding additional module sleeves.

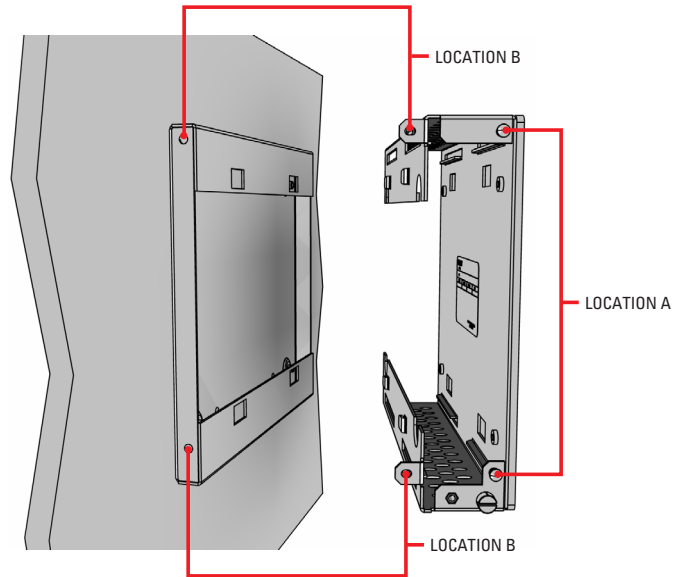


Figure 2. Module Sleeve Attachment

REMOVING A COVER PLATE

To add additional module sleeves, you must remove the cover plate from the supplied module sleeve. Refer to Figure 3.

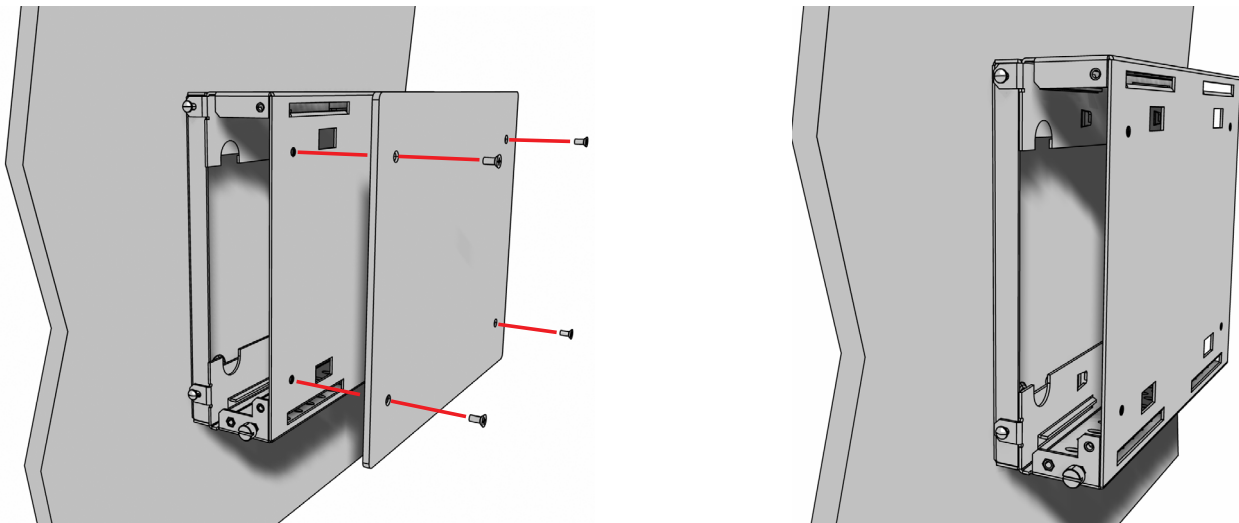


Figure 3. Cover Plate Removal

INSTALLING A MODULE

To insert a module, follow these steps and refer to Figure 4.

1. Insert a module into the module sleeve.
2. Tighten the thumbscrew on the bottom of the module sleeve to secure the module.

NOTE: Do not attach a WM5001-4UEXP when either a NET5301T-I or a NET5301T-C is in the WM5001-4U.

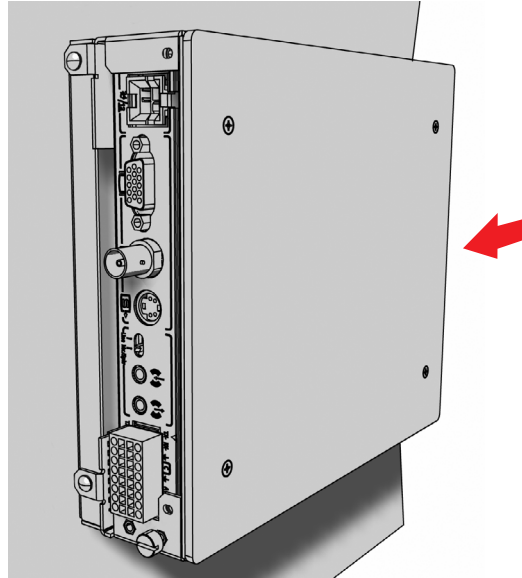


Figure 4. Module Installation

Specifications

MECHANICAL

Number of Slots	1
Module Orientation	Variable
Rack Units	4
Construction	Aluminum
Mounting	Black

GENERAL

Dimensions*	2.19" D x 7.88" W x 6.69" H (5.56 x 20.02 x 16.99cm)
Mounting	Wall or desktop
Unit Weight	
WM5001-4U	1.46 lb (0.66 kg)
WM5001-4UEXP	0.42 lb (0.19 kg)

*The dimensions are based on the orientation of the wall mount as shown in Figure 4.

PRODUCT WARRANTY AND RETURN INFORMATION

WARRANTY

Pelco will repair or replace, without charge, any merchandise proved defective in material or workmanship **for a period of one year** after the date of shipment.

Exceptions to this warranty are as noted below:

- Five years on fiber optic products and TW3000 Series unshielded twisted pair (UTP) transmission products.
- Three years on Spectra® IV products.
- Three years on Genex® Series products (multiplexers, server, and keyboard).
- Three years on DX Series digital video recorders, DVR5100 Series digital video recorders, DigitalSENTRY® Series hardware products, DVX Series digital video recorders, NVR300 Series network video recorders, and Endura® Series distributed network-based video products.
- Three years on Camclosure® and Pelco-branded fixed camera models, except the CC3701H-2, CC3701H-2X, CC3751H-2, CC3651H-2X, MC3651H-2, and MC3651H-2X camera models, which have a five-year warranty.
- Three years on PMCL200/300/400 Series LCD monitors.
- Two years on standard motorized or fixed focal length lenses.
- Two years on Legacy®, CM6700/CM6800/CM9700 Series matrix, and DF5/DF8 Series fixed dome products.
- Two years on Spectra III™, Spectra Mini, Esprit®, ExSite®, and PS20 scanners, including when used in continuous motion applications.
- Two years on Esprit and WW5700 Series window wiper (excluding wiper blades).
- Two years (except lamp and color wheel) on Digital Light Processing (DLP®) displays. The lamp and color wheel will be covered for a period of 90 days. The air filter is not covered under warranty.
- Two years on Intelli-M® eIDC controllers.
- One year (except video heads) on video cassette recorders (VCRs). Video heads will be covered for a period of six months.
- Six months on all pan and tilts, scanners, or preset lenses used in continuous motion applications (preset scan, tour, and auto scan modes).

Pelco will warrant all replacement parts and repairs for 90 days from the date of Pelco shipment. All goods requiring warranty repair shall be sent freight prepaid to a Pelco designated location. Repairs made necessary by reason of misuse, alteration, normal wear, or accident are not covered under this warranty.

Pelco assumes no risk and shall be subject to no liability for damages or loss resulting from the specific use or application made of the Products. Pelco's liability for any claim, whether based on breach of contract, negligence, infringement of any rights of any party or product liability, relating to the Products shall not exceed the price paid by the Dealer to Pelco for such Products. In no event will Pelco be liable for any special, incidental, or consequential damages (including loss of use, loss of profit, and claims of third parties) however caused, whether by the negligence of Pelco or otherwise.

The above warranty provides the Dealer with specific legal rights. The Dealer may also have additional rights, which are subject to variation from state to state.

If a warranty repair is required, the Dealer must contact Pelco at (800) 289-9100 or (559) 292-1981 to obtain a Repair Authorization number (RA), and provide the following information:

1. Model and serial number
2. Date of shipment, P.O. number, sales order number, or Pelco invoice number
3. Details of the defect or problem

If there is a dispute regarding the warranty of a product that does not fall under the warranty conditions stated above, please include a written explanation with the product when returned.

Method of return shipment shall be the same or equal to the method by which the item was received by Pelco.

RETURNS

To expedite parts returned for repair or credit, please call Pelco at (800) 289-9100 or (559) 292-1981 to obtain an authorization number (CA number if returned for credit, and RA number if returned for repair) and designated return location.

All merchandise returned for credit may be subject to a 20 percent restocking and refurbishing charge.

Goods returned for repair or credit should be clearly identified with the assigned CA or RA number and freight should be prepaid.

REVISION HISTORY

Manual #	Date	Comments
C1616M	4/05	Original version.
C1616M-A	1/08	Added note to <i>Installing a Module</i> section.

Pelco, the Pelco logo, Camclosure, DigitalSENTRY, Endura, Esprit, ExSite, Genex, Intelli-M, Legacy, and Spectra are registered trademarks of Pelco, Inc. Spectra III is a trademark of Pelco, Inc. DLP is a registered trademark of Texas Instruments Incorporated.

© Copyright 2008, Pelco, Inc. All rights reserved.



Worldwide Headquarters
3500 Pelco Way
Clovis, California 93612 USA

USA & Canada
Tel: 800/289-9100
Fax: 800/289-9150

International
Tel: 1-559/292-1981
Fax: 1-559/348-1120

www.pelco.com

ISO9001

Australia | Canada | Finland | France | Germany | Italy | Macau | The Netherlands | Russia | Singapore
South Africa | Spain | Sweden | United Arab Emirates | United Kingdom | United States

Free Manuals Download Website

<http://myh66.com>

<http://usermanuals.us>

<http://www.somanuals.com>

<http://www.4manuals.cc>

<http://www.manual-lib.com>

<http://www.404manual.com>

<http://www.luxmanual.com>

<http://aubethermostatmanual.com>

Golf course search by state

<http://golfingnear.com>

Email search by domain

<http://emailbydomain.com>

Auto manuals search

<http://auto.somanuals.com>

TV manuals search

<http://tv.somanuals.com>