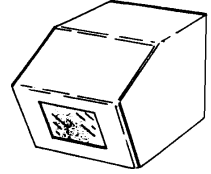




C491M-D (3/99)
 HS4100BH
 High-Security Camera Enclosure



300 W. Pontiac Way,
 Clovis, CA 93612-5699
 USA

In North America & Canada:
 Tel (800) 289-9100
 FAX (800) 289-9150
 DataFAX (800) 289-9108

International Customers:
 Tel (1-559) 292-1981
 FAX (1-559) 348-1120
 DataFAX (1-559) 292-0435

Pelco Online
<http://www.pelco.com>



IMPORTANT SAFEGUARDS AND WARNINGS

Prior to installation and use of this product, the following WARNINGS should be observed.

1. Installation and servicing should only be done by qualified service personnel and conform to all local codes.
2. Unless the unit is specifically marked as a NEMA Type 3, 3R, 3S, 4, 4X ,6 or 6P enclosure, it is designed for indoor use only and it must not be installed where exposed to rain and moisture.
3. Only use replacement parts recommended by Pelco.
4. The installation method and materials should be capable to supporting four times the weight of the enclosure, pan/tilt, camera and lens combination.
5. The camera and lens combination shall not exceed 20 pounds (9.06 kg).

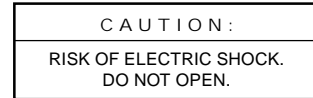
The product and/or manual may bear the following marks:



This symbol indicates that dangerous voltage constituting a risk of electric shock is present within this unit.



This symbol indicates that there are important operating and maintenance instructions in the literature accompanying this unit.



Please thoroughly familiarize yourself with the information in this manual prior to installation and operation.

DESCRIPTION

The HS4100BH is a high-security camera enclosure designed to be mounted in indoor walls in applications requiring maximum protection from vandalism, such as prisons and detention cells.

There is no exposed mounting hardware holding the enclosure to its mounting surface because the HS4100BH replaces a half-size concrete block during construction of the wall. The HS4100BH is made of heavy-gauge steel and is equipped with a window of 1/2-inch (1.27 cm) thick, impact-resistant Lexan®.

The HS4100BH accepts most CCD cameras with fixed focal length lenses and some motorized zoom lenses. Access to the inside is through the front or rear with a specially designed tool, so the enclosure cannot be opened by unauthorized people. In addition, a factory-installed tamper switch is mounted on the secured access cover.

INSTALLATION

The following parts are supplied:

- 1 Enclosure
- 1 Tampruf #10 socket, 1/4-inch drive

The HS4100BH is designed to be installed in a concrete block wall during construction. The enclosure's dimensions allow it to replace a half-size block.

Before installing the HS4100BH enclosure in a wall, make certain the wall detail and construction can support the full weight of the enclosure plus the camera and lens. The HS4100BH must not be considered a structural component in a wall. Make sure during construction that the access panels are not obstructed by mortar.

After incorporating the enclosure into the wall structure, follow the steps below to complete the installation.

1. Remove the appropriate knock-outs and route the required cables to the enclosure.
2. You can access the inside of the enclosure from either the front or rear. Use the supplied Tampruf #10 socket (fits 1/4-inch square drive).
 - The hinged front swings down after you remove the two Tampruf screws.
 - The rear plate comes off after you remove the four Tampruf screws.
3. The tamper switch comes with normally open and normally closed contacts. To wire the tamper switch:
 - For a normally open circuit, use the OPEN and COMMON terminals.
 - For a normally closed circuit, use the CLOSED and COMMON terminals.
4. Mount the camera and lens to the tilt table.
5. Make all appropriate connections (for example, camera power, video, and lens).
6. Position the camera and tighten the 1/4-20 fasteners to secure the tilt table in the desired position.
7. Close the cover (or replace the rear plate) and check that all components clear. Secure with the 1/4-20 Tampruf screws.

MAINTENANCE

Performing maintenance at regular intervals will help prolong the equipment's operational life and appearance. Regularly clean the Lexan® window with a mild non-abrasive detergent in water and a soft cloth to help keep the picture clear. For a very dirty window, use vinyl cleaner.

SPECIFICATIONS

MECHANICAL

Window: 1/2-inch (1.27 cm) thick impact and abrasion resistant Lexan®

Window Viewing

Area: 3.50 in. H x 4.00 in. W (8.89 x 10.16 cm)

Camera Mounting: Adjustable tilt table

Maximum
Camera/Lens

Size: Accepts camera and lens combinations (including BNC connector) up to:
8.0 in. L x 6.0 in. W x 6.0 in. H (20.32 x 15.24 x 15.24 cm)

Enclosure

Mounting: Replaces half-size concrete block during wall construction

Security:

Tamper-resistant screws. N.O./N.C. switch contact on secure cover

ELECTRICAL

Cable Entry: Two cable knock-out holes on the rear plate for 1/2-inch (1.27 cm) diameter conduit

Tamper Switch: Plunger-type switch with "pull to cheat" feature. 1/4-inch (0.63 cm) quick connect. N.O./N.C. clearly marked on switch body. 10 A maximum switching current, 125 V maximum switching voltage.

GENERAL

Construction: Seam-welded 10-gauge (0.134 in. or 0.34 cm) steel

Finish: Gray polyester powder coat

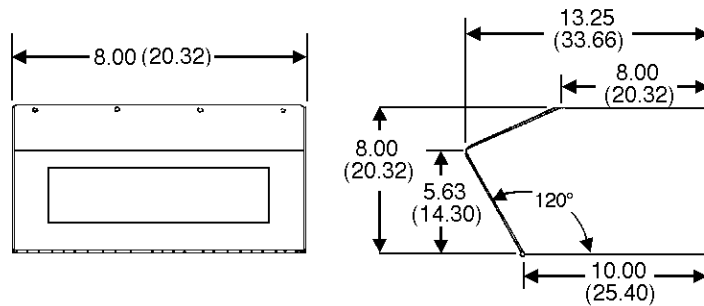
Dimensions: See Figure 1

Environment: Indoor; 32° to 120°F (0° to 49°C)

Weight:	<u>Unit</u>	<u>Shipping</u>
	23 lb (10.35 kg)	27 lb (12.23 kg)

Rating: NEMA 1
IP 20

(Design and product specifications subject to change without notice.)



NOTE: VALUES IN PARENTHESES ARE CENTIMETERS;
ALL OTHERS ARE INCHES

Figure 1. HS4100BH Dimension Drawing

WARRANTY AND RETURN INFORMATION

WARRANTY

Pelco will repair or replace, without charge, any merchandise proved defective in material or workmanship for a period of one year after the date of shipment. Exceptions to this warranty are as noted below:

- Three years on Genex™ Series (multiplexers, server, and keyboard).
- Two years on all standard motorized and fixed focal length lenses.
- Two years on Esprit™, Legacy®, Intercept®, PV1000 Series, CM6700/CM8500/CM9500/CM9750/CM9760 Matrix, Spectra®, DF5 Series and DF8 Fixed Dome products.
- Two years on WW5700 series window wiper (excluding wiper blades).
- Two years on cameras.
- Six months on all pan and tilts, scanners or preset lenses used in continuous motion applications (that is, preset scan, tour and auto scan modes).

Pelco will warrant all replacement parts and repairs for 90 days from the date of Pelco shipment. All goods requiring warranty repair shall be sent freight prepaid to Pelco, Clovis, California. Repairs made necessary by reason of misuse, alteration, normal wear, or accident are not covered under this warranty.

Pelco assumes no risk and shall be subject to no liability for damages or loss resulting from the specific use or application made of the Products. Pelco's liability for any claim, whether based on breach of contract, negligence, infringement of any rights of any party or product liability, relating to the Products shall not exceed the price paid by the Dealer to Pelco for such Products. In no event will Pelco be liable for any special, incidental or consequential damages (including loss of use, loss of profit and claims of third parties) however caused, whether by the negligence of Pelco or otherwise.

The above warranty provides the Dealer with specific legal rights. The Dealer may also have additional rights, which are subject to variation from state to state.

If a warranty repair is required, the Dealer must contact Pelco at (800) 289-9100 or (559) 292-1981 to obtain a Repair Authorization number (RA), and provide the following information:

1. Model and serial number
2. Date of shipment, P.O. number, Sales Order number, or Pelco invoice number
3. Details of the defect or problem

If there is a dispute regarding the warranty of a product which does not fall under the warranty conditions stated above, please include a written explanation with the product when returned.

Ship freight prepaid to: Pelco
300 West Pontiac Way
Clovis, CA 93612-5699

Method of return shipment shall be the same or equal to the method by which the item was received by Pelco.

RETURNS

In order to expedite parts returned to the factory for repair or credit, please call the factory at (800) 289-9100 or (559) 292-1981 to obtain an authorization number (CA number if returned for credit, and RA number if returned for repair). Goods returned for repair or credit should be clearly identified with the assigned CA/RA number and freight should be prepaid. All merchandise returned for credit may be subject to a 20% restocking and refurbishing charge.

Ship freight prepaid to: Pelco
300 West Pontiac Way
Clovis, CA 93612-5699

REVISION HISTORY

Manual #	Date	Comments
C491M	5/90	Original manual.
C491M-A	9/95	Rev. A. Revised to include wiring instructions for tamper switch and metric equivalents for specifications.
C491M-B	11/95	Rev. B. Revised to include updated tamper switch/bracket part numbers and exploded view diagram.
C491M-c	1/96	Revised to include tamper switch installation, specification description and new part numbers per ECO 95-397.
	11/96	Revised Section 6.2 Mechanical Parts List for HS4100BH Enclosure. The quantity of item no. 8 is to be 6 instead of 8.
C1491M-D	2/99	Removed material related to HS4100BF. Added certifications information. Moved an exploded assembly drawing and parts list to a new HS4100BH service manual. Reformatted the manual.

Free Manuals Download Website

<http://myh66.com>

<http://usermanuals.us>

<http://www.somanuals.com>

<http://www.4manuals.cc>

<http://www.manual-lib.com>

<http://www.404manual.com>

<http://www.luxmanual.com>

<http://aubethermostatmanual.com>

Golf course search by state

<http://golfingnear.com>

Email search by domain

<http://emailbydomain.com>

Auto manuals search

<http://auto.somanuals.com>

TV manuals search

<http://tv.somanuals.com>