



PT780 Legacy[®] Series Pan and Tilts



C342SM-A (5/06)

Contents

Important Safety Instructions	3
Description	4
Pt780 Description	4
PT780 Models	4
Maintenance	5
Wiring Diagrams	7
Exploded Assembly Diagrams	8

List of Illustrations

1 Pan and Tilt Adjustments	6
2 PT780 Series Wiring Diagram	7
3 Exploded Assembly Diagram of Mechanical Parts-PT780 Series 24 VAC and 120 VAC Models	8
4 Exploded Assembly Diagram of Mechanical Parts-PT780 Series 12 VDC Models	9
5 Exploded Assembly Diagram of Hardware-PT780 Series 24 VAC and 120 VAC Models	12
6 Exploded Assembly Diagram of Hardware-PT780 Series 12 VDC Models	13

List of Tables

A Mechanical Parts List (Figure 3 and Figure 4)	10
B Mechanical Parts List (Figure 3 and Figure 4) (continued)	11
C Hardware Parts List (Figure 5 and Figure 6)	14

Important Safety Instructions

1. Installation and servicing should be done only by qualified service personnel and conform to all local codes.
2. The weight of the camera/lens and enclosure must not exceed 40 lb (18.14 kg) with 12 VDC pan and tilts or 52 lb (23.59 kg) with 24 VAC or 120 VAC pan and tilts.
3. Only use replacement parts Pelco recommends.
4. After replacing/repairing the unit's electrical components, conduct a resistance measurement between line and exposed parts to verify the exposed parts have not been connected to line circuitry.
5. Installation methods and materials should be capable of supporting four times the combined weight of the enclosure, pan and tilt, camera, and lens.

The product and/or manual may bear the following marks:



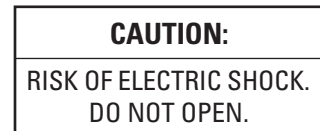
This symbol indicates that dangerous voltage constituting a risk of electric shock is present within this unit.



This symbol indicates that there are important operating and maintenance instructions in the literature accompanying this unit.



To reduce the risk of electrical shock, do not remove cover. No user-serviceable parts inside. Refer servicing to qualified service personnel.



Description

PT780 DESCRIPTION

The PT780 Series pan and tilt units are designed for medium duty, indoor/outdoor use.

Only Legacy Series enclosures can be mounted on the pan and tilt units. These enclosures are EH4700L and EH5700L environmental enclosures and the EH8106L pressurized enclosure.

You can easily remove the clamshell covers from the sides of the pan and tilt units to access all internal parts without having to remove the camera enclosure. This makes servicing the units and adjusting the pan and tilt limit stops easy.

PT780 MODELS

The PT780 Series consists of the following models:

PT780P	Heavy-duty, indoor/outdoor pan and tilt, 120 VAC.
PT780P/PP	PT780P with preset positioning capabilities.
PT780SL	PT780P with 360° pan rotation.
PT780SL/PP	PT780SL with preset positioning capabilities.
PT780VS	Heavy-duty, indoor/outdoor, variable-speed pan and tilt, 12 VDC.
PT780VS/PP	PT780VS with preset positioning capabilities.
PT780/VSSL	PT780VS with 360° pan rotation.
PT780-VSSL/PP	PT780-VSSL with preset positioning capabilities.
PT780-24P	Heavy-duty, indoor/outdoor pan/tilt, 24 VAC.
PT780-24P/PP	PT780-24P with preset positioning capabilities.
PT780-24SL	PT780-24P with 360° pan rotation.
PT780-24SL/PP	PT780-24SL with preset positioning capabilities.

Maintenance

If you need to remove the enclosure, protect the RediLINK™ connector area against moisture, dust, dirt, etc. Failure to do so could result in a bad connection. Also, damage to the pan and tilt unit or enclosure could occur when power is turned on.

The following servicing should be done every six months with average use.

1. Remove the PT780's outer casing.
 - a. Remove the Phillips screw on each side of the pan and tilt unit.
 - b. Place your hands under the cover halves. Exert a strong, upward force to release the covers from their internal latching devices.
 - c. Pull the cover halves away from the pan and tilt unit. Set the covers down or hang them by the eyelets inside the covers. (The wire and hook on which to hang the covers is not provided.)
2. Inspect the gaskets around the cover, tilt shaft, and spindle for damage.
3. Refer to Figure 1. It shows the parts locations of the tilt assembly. Look for similar orientations of parts when adjusting the pan assembly.
4. Check the backlash adjustment.

Backlash is the slack or binding in a pan and tilt base mount. Determine backlash by lifting the maintenance assembly, grasping the base, and wiggling it. There should not be any play or binding between the gear (A) and worm drive (B). Play or binding indicates a backlash problem.

- One backlash problem involves a worm and worm gear connection loose enough to cause slipping or tight enough to cause binding.
 - The second involves a too-loose or too-tight chain, usually causing symptoms similar to the worm and worm gear problem—slipping or binding.
- a. Verify that the worm drive (B) is fully seated in the worm gear (A). If it is not:
 - (1) Locate the worm-driven gear for either the pan or the tilt motor linkage. Loosen the three hex screws (F) holding the worm in place, but leave enough thread in place to hold the assembly on the mount.
 - (2) Using your thumbs, gently move the worm forward or pull the assembly back from the worm gear to either tighten or loosen the gear spacing to the worm gear. Move the base of the pan and tilt to check the adjustment.
 - (3) If you get movement in the base, press a finger down in the middle of the worm assembly. If you get no movement in the base, use your thumb and forefinger to pull the worm assembly back until you get movement.
 - (4) When the spacing is correct, tighten the hex screws. Start with the middle screw to ensure proper spacing.
 - (5) Remove the screw (C) in the gear train nut (D).
 - (6) Tighten the gear train nut to remove any play.
 - (7) Line up the hole in the gear train nut with the nearest hole in the gear train bracket (E).
 - (8) Replace the screw.

- b. Refer to Figure 1. Adjust chain tension, if needed:
 - (1) Locate the pan or tilt motor on the assembly. Loosen the hex screws (G) that hold the motor to its mounting bracket. Depending on which motor assembly you are adjusting, there will be either three (pan) or four (tilt). (Only two screws are shown in Figure 1.)
 - (2) Using a screwdriver, pry the motor down (at H) to tighten for the correct chain tension. (You should not be able to freely move the motor with your finger, nor should it be so tight that it will not move at all as this usually leads to binding.)
 - (3) Tighten the hex screws.
 - c. Using a controller, you should now be able to move the PT780 without looseness or binding. If you have any problems, contact Pelco's Technical Support Department.
5. Lubricate the chains. Use a Teflon[®] chain lubricant.
 6. Replace the covers.
 - a. Grasp one cover half in each hand and position the covers on each side of the pan and tilt unit.
 - b. Bring the two cover halves together, aligning the two pins in one cover half with the mating holes in the other cover half.
 - c. When the cover halves are together, press downward to force the covers into their latches.
 - d. Replace the screws in the covers.

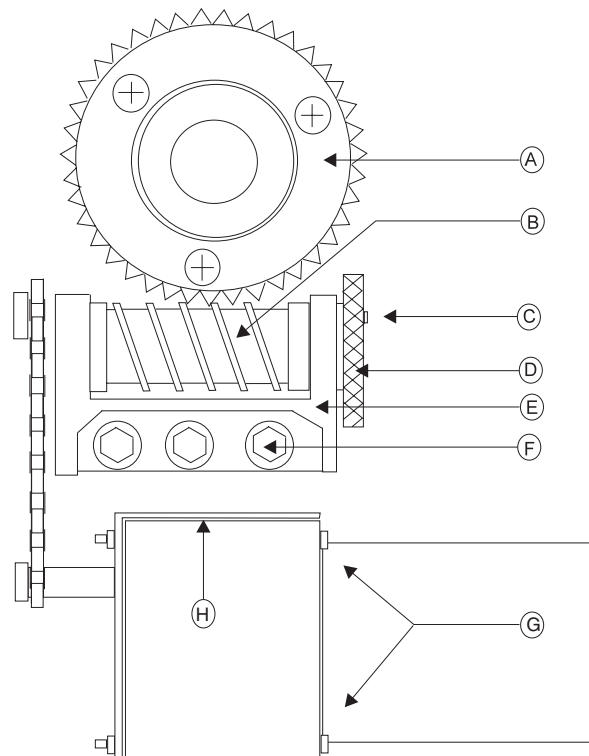
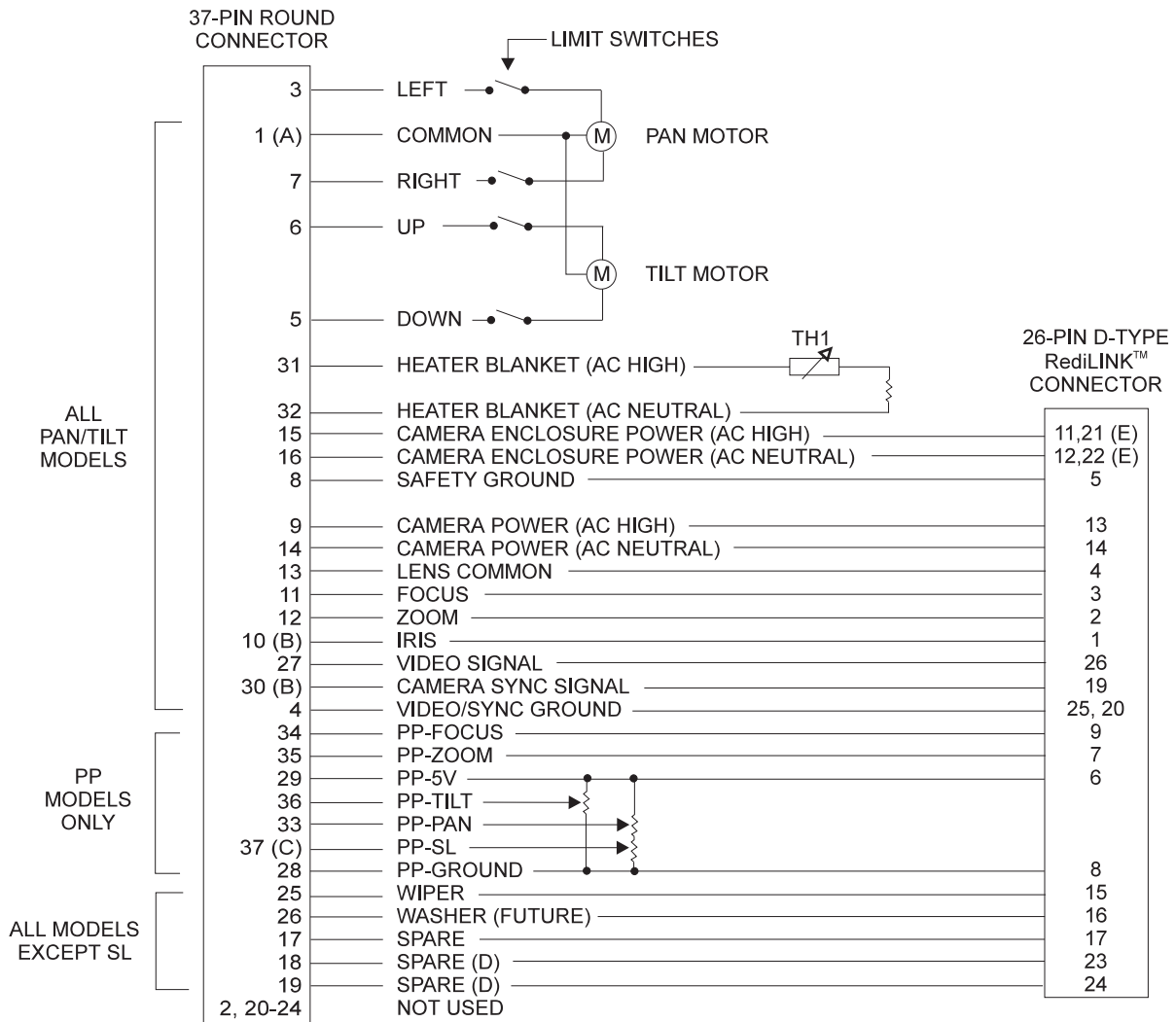


Figure 1. Pan and Tilt Adjustments

Wiring Diagrams



NOTES

- (A) NOT USED ON VS MODELS
- (B) NOT AVAILABLE ON SOME SL MODELS
- (C) SL MODELS ONLY
- (D) PRESSURE SWITCH FOR EH8106L ENCLOSURE
- (E) PINS 21 AND 22 ARE NOT USED ON SL MODELS

Figure 2. PT780 Series Wiring Diagram

Exploded Assembly Diagrams

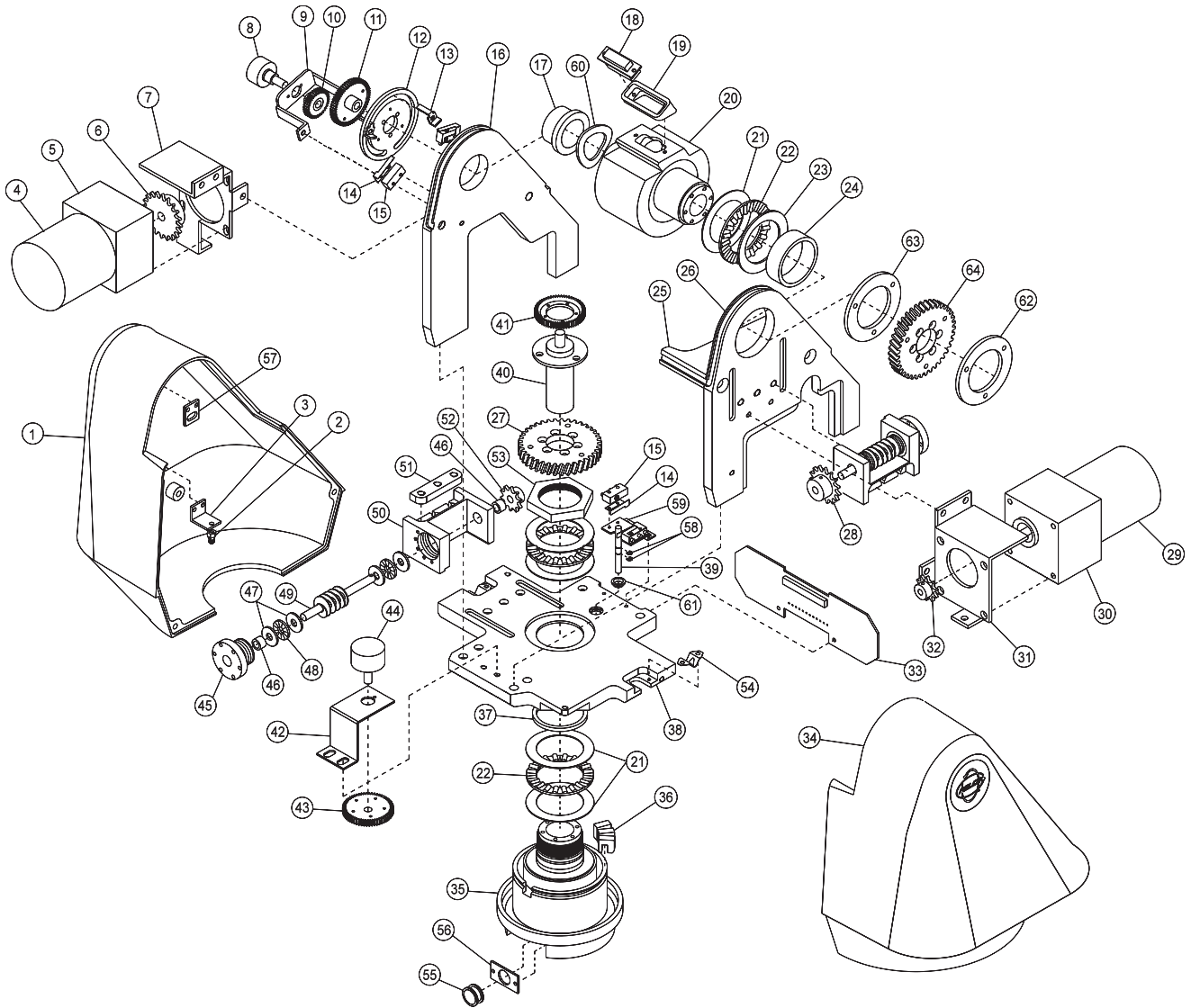


Figure 3. Exploded Assembly Diagram of Mechanical Parts, PT780 Series 24 VAC and 120 VAC Models

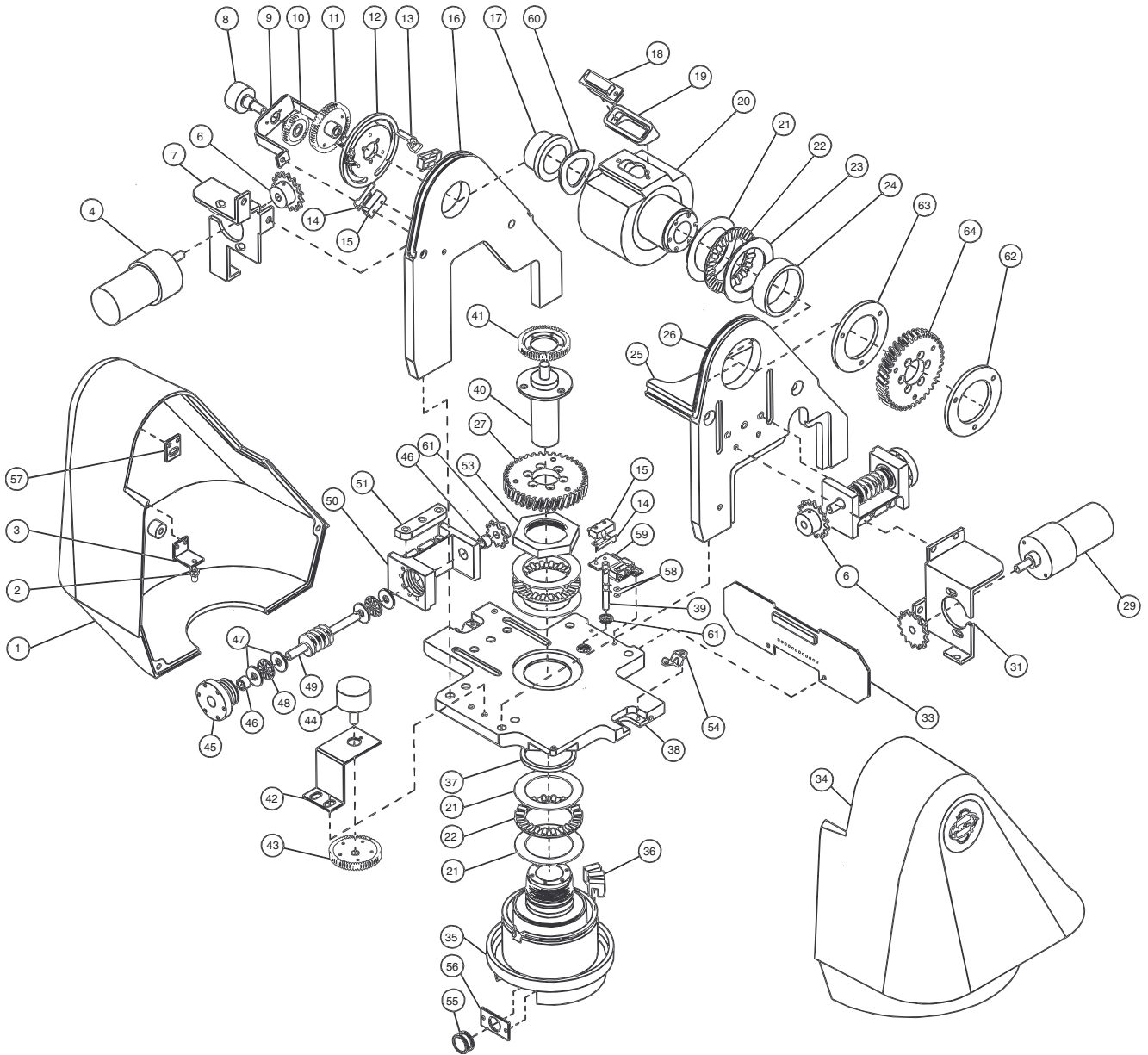


Figure 4. Exploded Assembly Diagram of Mechanical Parts, PT780 Series 12 VDC Models

Table A. Mechanical Parts List (Figure 3 and Figure 4)

Refer to Figure 3 for 24 VAC and 120 VAC models. Refer to Figure 4 for 12 VDC models.			
Item	Quantity	Description	Part Number
1	1	Cover, pan side	9064003COMP
2	2	Ball stud	PT180410000
3	2	Ball stud bracket	9064010COMP
4	1	Pan motor, 24 VAC	5708008
		Pan motor, 120 VAC	1758008
		Pan motor gearhead, 12 VDC	9068102
5	1	Pan motor gearhead, 24 VAC and 120 VAC	1758009
		Not used, 12 VDC	
6	1	Pan motor sprocket, 24 VAC and 120 VAC	580401ACOMP
		Pan motor sprocket, 12 VDC	9004007COMP
7	1	Pan motor bracket, 24 VAC and 120 VAC	9064006COMP
		Pan motor bracket, 12 VDC	9064060COMP
8	1	Tilt preset potentiometer	POTP010.0K*
9	1	Tilt potentiometer bracket	9064012COMP*
10	1	Gear, 32 teeth	28010017*
11	1	Gear, 52 teeth	28010016*
12	1	Tilt limit ring	9004012COMP
13	2	Tilt limit stop	1554050COMP
14	4	Actuator, with insulator	SWIJS138B
	2**		
15	4	Switch	SWI1SM1
	2**		
16	1	Upright, pan side	MF80-9060-002G
17	1	Bushing, pan side	PT250010004
18	1	26-pin, subminiature, D-type socket	COND226S
19	1	Tilt shaft connector guide	9004015COMP
20	1	Tilt shaft feed-through	9004000COMP
21	4	Thrust washer, .030"	90010002
22	3	Thrust bearing	90010001
23	2	Thrust washer, .060"	90010024
24	1	Bronze bushing	90010006
25	1	Cross-brace uprights	9064008COMP
26	1	Upright, tilt side	MF80-9060+001C
27	1	Worm gear, 40 teeth	90010009
			9004024COMP***
			9004025COMP****
28	1	Sprocket, 24 VAC and 120 VAC	90010028
	1	Sprocket, 12 VDC	9004007COMP
29	1	Tilt motor, 24 VAC	5808002
		Tilt motor, 120 VAC	1758008
		Tilt motor with earhead, 12 VDC	9068101
30	1	Tilt motor gearhead, 24 VAC	5808003
		Tilt motor gearhead, 120 VAC	1758009
		Not used, 12 VDC	
31	1	Tilt motor bracket, 24 VAC and 120 VAC	9064005COMP
		Tilt motor bracket, 12 VDC	9064059COMP
32	1	Sprocket, 24 VAC	5804022COMP
		Sprocket, 120 VAC	17512004
	1	Sprocket, 12 VDC	9004007COMP
33	1	Circuit board assembly, 24 VAC	PA05-0009-01B0
		Circuit board assembly, 120 VAC	PA05-0009-03B0
		Circuit board assembly, 12 VDC	PA05-0009-0280
34	1	Cover, tilt side	9064004COMP
35	1	Pan spindle	9004030COMP

* PP models only
** All SL models

*** SL/PP models only
**** Non-360° PP models

Table A. Mechanical Parts List (Figure 3 and Figure 4) (Continued)

Item	Quantity	Description	Part Number
36	3	Pan limit stop	58010006*****
37	1	Bronze bushing	90010029
38	1	Base	MF01-9060-003J
39	1	Pan limit pin	1554049COMP*****
40	1	Slip ring	250010000*** 28010000*****
41	1	Preset gear, pan spindle	9004017COMP*** 9004022COMP****
42	1	Pan potentiometer bracket	9004008COMP*
43	1	Gear, 56 teeth	90010020*
44	1	Pan preset potentiometer	POTDARM010.0K**** POTP010.0K****
45	2	Gear train nut	9004009COMP
46	4	Bronze bushing	5806005
47		Thrust washer	5806003
48	4	Thrust bearing	5806002
49	2	Worm	90010008
50	2	Gear train bracket	9004005COMP
51	1	3-position bar nut	9004006COMP
52	1	Sprocket, 24 VAC and 120 VAC	PT18004003COMP
	1	Sprocket, 12 VDC	9004007COMP
53	1	Pan spindle nut	9004019COMP
54	2	Ball stud receiver	90010030
55	1	Grommet, 3/8" ID	GRO2175
		Grommet, 1/4" ID	GRO2170**
56	1	Wire clamp	9004020COMP***** 9004021COMP**
57	2	Eyelet service bracket	9004023COMP
58	2	Snap ring	15510000*****
59	1	Pan limit switch bracket	1554051COMP*****
60	1	Wave spring	90010017
61	1	Grommet	GRO2172N*****
62	1	Unthreaded backup plate	9064015COMP
63	1	Threaded backup plate	9064014COMP
64	1	Worm gear	90010009
The following items are not shown:			
65	1	Pan chain assembly, 29 pitch, 24 VAC and 120 VAC	9061002ASSY
		Pan chain assembly, 32 pitch, 12 VDC	9061013ASSY
66	1	Tilt chain assembly, 35 pitch, 24 VAC and 120 VAC	9061003ASSY
		Tilt chain assembly, 28 pitch, 12 VDC	9061008ASSY
67	1	2-position plastic connector	CON640428-2
68	6	3-position plastic connector	CON640428-3G
69	1	6-position plastic connector	CON640428-6
70	2	Cover labels	LBL19000
71	1	Dust protector, 26-pin, subminiature, D-type socket	90010025
72	1	37-pin connector plug (installed on cable)	CN54-2209-2737
73	37	Connector pins	CON66102-7
74	1	Cable connector clamp	CON206138-1
75	1	37-pin connector socket assembly (loose equipment)	CONA37S
		* PP models only	**** Non-360° PP models
		** All SL models	***** Not on SL models
		*** SL/PP models only	***** SL models

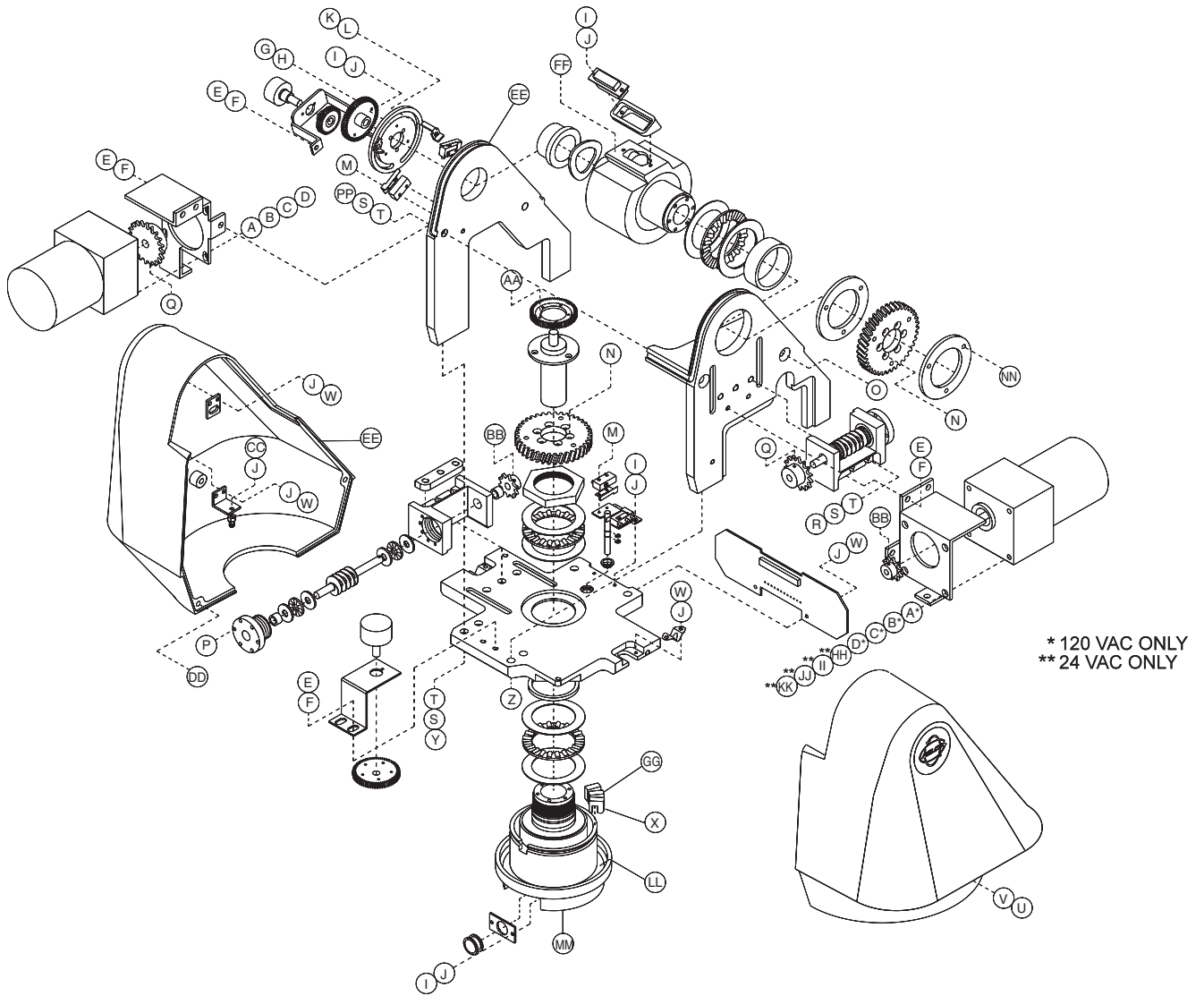


Figure 5. Exploded Assembly Diagram of Hardware, PT780 Series 24 VAC and 120 VAC Models

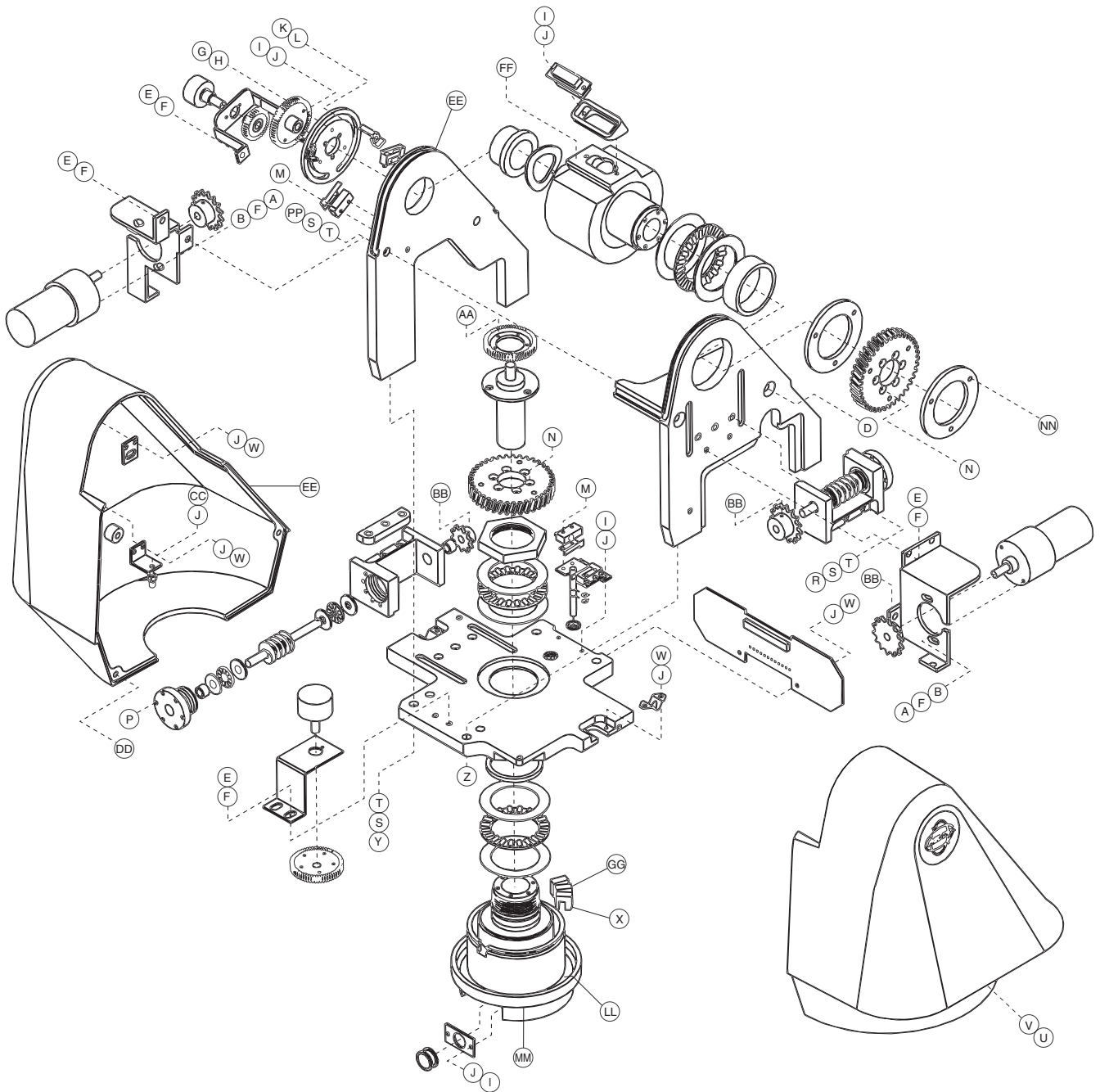


Figure 6. Exploded Assembly Diagram of Hardware, PT780 Series 12 VDC Models

Table B. Hardware Parts List (Figure 5 and Figure 6)

Refer to Figure 5 for 24 VAC and 120 VAC models. Refer to Figure 6 for 12 VDC models.			
Item	Quantity	Description	Part Number
A	4	Screw, 6-32 x 2 1/2", pan head, Phil, 24 VAC	ZH6-32X2.50SPP
	8	Screw, 8-32 x 2 1/2", pan head, Phil, 120 VAC	ZH8-32X2.50CPS
	4	Screw, 10-32 x 1/2", pan head, Phil, 12 VDC	ZH10-32X.500SPP
B	4	Flat washer, 24 VAC	ZH932X1.75X130
	8	Flat washer, 120 VAC	ZH932X1.75X130
	4	Flat washer, 12 VDC	ZH240X436X60C
C	4	Split lock washer, #6, 24 VAC	ZH6LWSSL
	8	Split lock washer, #8, 120 VAC	ZH8LWSSL
		Not used, 12 VDC	
D	4	Hex nut, 6-32, 24 VAC	ZH6-32NUTSH
	8	Hex nut, 8-32, 120 VAC	ZH8-32NUTSH
		Not used, 12 VDC	
E	12	Allen screw, 10-32 x 3/8", 24 VAC and 120 VAC	ZH10-32X.375SSS
	11	Allen screw, 10-32 x 3/8", 12 VDC	
F	12	Split lock washer, #10, 24 VAC and 120 VAC	ZH10LWSSL
	15	Split lock washer, #10, 12 VDC	
G	3	Screw, 2-56 x 3/8", pan head, Phillips	ZH2-56X.375SRS
H	3	Internal star washer, #2	ZH2LWSIS
I	9	Screw, 4-40 x 3/8", pan head, Phillips	ZH4-40X.375SPP
J	25	Internal star washer, #4	ZH4LWSIS
K	2	Screw, 8-32 x 1/4", pan head, Phillips	ZH8-32X.250SPP
L	2	Internal star washer, #8	ZH8LWSIS
M	8	Screw, 2-56 x 7/16", pan head, Phillips	ZH2-56X.437SPP
N	12	Screw, 6-32 x 1/2", flat head, Phillips	ZH6-32X.500FPF
O	2	Bolt, 1/4-20 x .625", flat head, Phillips	ZH1/420X.625SFS
P	2	Screw, 4-40 x 5/8", pan head, Phillips	ZH4-40X.625SPP
Q	2	Roll pin (Not shown in Figure 15)	ZHPIN3/32X1/2R
R	6	Allen bolt, 1/4-20 x 12"	ZH1/420X1.50SS
S	11	Flat washer, 1/4	ZH260X562X65C
T	11	Split lock washer, 1/4	ZH1/4LWSSL
U	2	Screw, 10-32 x .875", gray	ZH10-32X.875GRY
V	2	Thread sealing washer	PS3010002
W	14	Screw, 4-40 x .250", pan head, Phillips	ZH4-40X.250SPP
X	2	Screw, 6-32 x .375", pan head, Phillips	ZH6-32X.375SPP
Y	3	Allen bolt, 1/4-20 x 3/4"	ZH1/420X.750SS
Z	3	Bolt, 1/4-20 x 3/4", flat head, Phillips	ZH1/420X.750SFS
AA	2	Self-tapping screw, 6-32	ZH6-SAX.250CPP
BB	2	Roll pin	ZHPIN3/32X1/2R
CC	2	Allen screw, 4-40 x .250"	ZH4-40X.250SS
DD	2	Dowel pin	90010004
EE	1	Cover gasket	GS05-1102-0001
FF	1	Tilt shaft gasket	GS05-0102-002A
GG	1	Set screw, 6-32 x 3/16"	ZH6-32X.187S
HH	4	Screw, 8-32 x 2 1/2", pan head, Phillips, 24 VAC only	ZH8-32X2.50CPS
II	4	Flat washer, 2 VAC only	ZH932X1.75X130
JJ	4	Split lock washer, #8, 24 VAC only	ZH8LWSSL
KK	4	Hex nut, 8-32, 24 VAC only	ZH8-32NUTSH
LL	1	Spindle cover gasket	90010003
MM	1	Spindle mount gasket	90010012
NN	3	Screw, 10-32 x 3/4", pan head, Phillips	ZH10-32X.750SPP
PP	2	Allen bolt, 1/4-20 x .625"	ZH1/420X.625CS

PRODUCT WARRANTY AND RETURN INFORMATION

WARRANTY

Pelco will repair or replace, without charge, any merchandise proved defective in material or workmanship **for a period of one year** after the date of shipment.

Exceptions to this warranty are as noted below:

- Five years on FR/FT/FS Series fiber optic products and TW3000 Series unshielded twisted pair transmission products.
- Three years on Genex® Series products (multiplexers, server, and keyboard).
- Three years on Camclosure® and fixed camera models, except the CC3701H-2, CC3701H-2X, CC3751H-2, CC3651H-2X, MC3651H-2, and MC3651H-2X camera models, which have a five-year warranty.
- Three years on PMCL200/300/400 Series LCD monitors.
- Two years on standard motorized or fixed focal length lenses.
- Two years on Legacy®, CM6700/CM6800/CM9700 Series matrix, and DF5/DF8 Series fixed dome products.
- Two years on Spectra®, Esprit®, ExSite™, and PS20 scanners, including when used in continuous motion applications.
- Two years on Esprit® and WW5700 Series window wiper (excluding wiper blades).
- Two years (except lamp and color wheel) on Digital Light Processing (DLP®) displays. The lamp and color wheel will be covered for a period of 90 days. The air filter is not covered under warranty.
- Eighteen months on DX Series digital video recorders, NVR300 Series network video recorders, and Endura™ Series distributed network-based video products.
- One year (except video heads) on video cassette recorders (VCRs). Video heads will be covered for a period of six months.
- Six months on all pan and tilts, scanners or preset lenses used in continuous motion applications (that is, preset scan, tour and auto scan modes).

Pelco will warrant all replacement parts and repairs for 90 days from the date of Pelco shipment. All goods requiring warranty repair shall be sent freight prepaid to Pelco, Clovis, California. Repairs made necessary by reason of misuse, alteration, normal wear, or accident are not covered under this warranty.

Pelco assumes no risk and shall be subject to no liability for damages or loss resulting from the specific use or application made of the Products. Pelco's liability for any claim, whether based on breach of contract, negligence, infringement of any rights of any party or product liability, relating to the Products shall not exceed the price paid by the Dealer to Pelco for such Products. In no event will Pelco be liable for any special, incidental or consequential damages (including loss of use, loss of profit and claims of third parties) however caused, whether by the negligence of Pelco or otherwise.

The above warranty provides the Dealer with specific legal rights. The Dealer may also have additional rights, which are subject to variation from state to state.

If a warranty repair is required, the Dealer must contact Pelco at (800) 289-9100 or (559) 292-1981 to obtain a Repair Authorization number (RA), and provide the following information:

1. Model and serial number
2. Date of shipment, P.O. number, Sales Order number, or Pelco invoice number
3. Details of the defect or problem

If there is a dispute regarding the warranty of a product which does not fall under the warranty conditions stated above, please include a written explanation with the product when returned.

Method of return shipment shall be the same or equal to the method by which the item was received by Pelco.

RETURNS

In order to expedite parts returned to the factory for repair or credit, please call the factory at (800) 289-9100 or (559) 292-1981 to obtain an authorization number (CA number if returned for credit, and RA number if returned for repair).

All merchandise returned for credit may be subject to a 20% restocking and refurbishing charge.

Goods returned for repair or credit should be clearly identified with the assigned CA or RA number and freight should be prepaid. Ship to the appropriate address below.

If you are located within the continental U.S., Alaska, Hawaii or Puerto Rico, send goods to:

Service Department
Pelco
3500 Pelco Way
Clovis, CA 93612-5699

If you are located outside the continental U.S., Alaska, Hawaii or Puerto Rico and are instructed to return goods to the USA, you may do one of the following:

If the goods are to be sent by a COURIER SERVICE, send the goods to:

Pelco
3500 Pelco Way
Clovis, CA 93612-5699 USA

If the goods are to be sent by a FREIGHT FORWARDER, send the goods to:

Pelco c/o Expeditors
473 Eccles Avenue
South San Francisco, CA 94080 USA
Phone: 650-737-1700
Fax: 650-737-0933



This equipment contains electrical or electronic components that must be recycled properly to comply with Directive 2002/96/EC of the European Union regarding the disposal of waste electrical and electronic equipment (WEEE). Contact your local dealer for procedures for recycling this equipment.

REVISION HISTORY

Manual #	Date	Comments
C342SM	12/98	Original version.
C342SM-A	5/06	Updated parts list. Reformatted manual.

Pelco, the Pelco logo, Camclosure, Esprit, Genex, Legacy, and Spectra are registered trademarks of Pelco.
Endura, ExSite, and RedLINK are trademarks of Pelco.
DLP is a registered trademark of Texas Instruments, Inc.
Teflon is a registered trademark of E.I. du Pont de Nemours and Company.

©Copyright 2006, Pelco. All rights reserved.



Worldwide Headquarters
3500 Pelco Way
Clovis, California 93612 USA

USA & Canada
Tel: 800/289-9100
Fax: 800/289-9150

International
Tel: 1-559/292-1981
Fax: 1-559/348-1120

www.pelco.com

ISO9001

United States | Canada | United Kingdom | The Netherlands | Singapore | Spain | Scandinavia | France | Middle East

Free Manuals Download Website

<http://myh66.com>

<http://usermanuals.us>

<http://www.somanuals.com>

<http://www.4manuals.cc>

<http://www.manual-lib.com>

<http://www.404manual.com>

<http://www.luxmanual.com>

<http://aubethermostatmanual.com>

Golf course search by state

<http://golfingnear.com>

Email search by domain

<http://emailbydomain.com>

Auto manuals search

<http://auto.somanuals.com>

TV manuals search

<http://tv.somanuals.com>