



Installation/Operation

RK100 and RK101
Rack Mount Kits

C1967M-A (6/02)

Pelco World Headquarters • 3500 Pelco Way, Clovis, CA 93612-5699 USA • www.pelco.com

USA & Canada: Tel: 800/289-9100 • Fax: 800/289-9150

International: Tel: 1-559/292-1981 • Fax: 1-559/348-1120

DESCRIPTION

The RK100 Rack Mount Kit provides rack mounting for the QD104 Series Quad Video Processor while the RK101 Rack Mount Kit does the same for the DX2000DH Data Hub. The RK100 and RK101 are similar except for minor differences in dimensions and the location of screw holes. These kits support the mounting of one or two units per rack.

INSTALLATION

The RK100 and RK101 rack mount kits contain the following parts:

Qty	Description
1	V bracket
1	Mounting block
2	Short rack ear
1	Long rack ear
4	Screw, 10-32 x 0.75-inch Phillips, pan head screw (black)
4	Screw, 6-32 x 0.312-inch Phillips, pan head screw

Single Mount

To rack mount one QD104 Series Quad Video Processor or one DX2000DH Data Hub, refer to Figure 1. (Only the quad is shown in the drawing. Installation of the data hub is similar.) Do the following:

- 1** Remove the front and center screws from both sides of the unit's cover. Use two of the screws and attach the short rack ear to either the left side or right side (illustration shows installed on left side) of the unit.
- 2** Use the remaining two screws and attach the long rack ear to the opposite side (illustration shows installed on right side) of the unit.
- 3** Use the four black, Phillips, pan head screws (supplied) and mount the assembly to the rack.

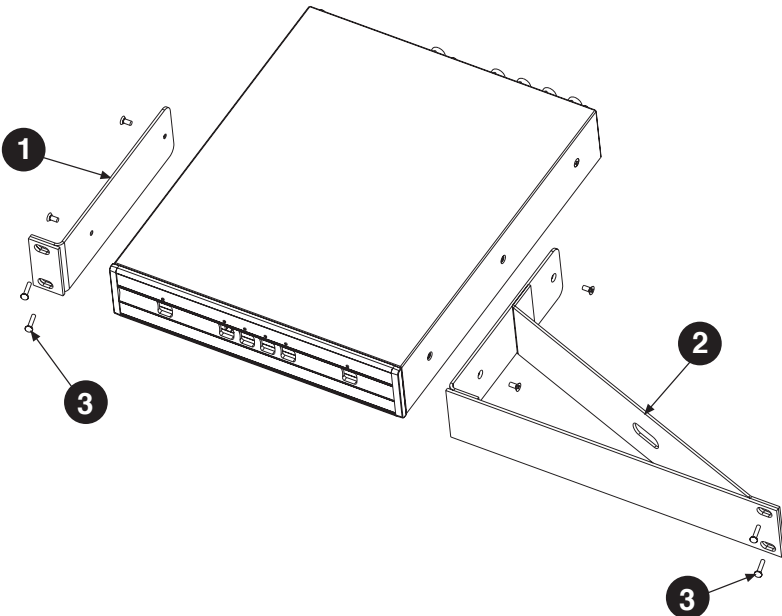


Figure 1. Single Mount (Quad Unit Shown)

Double Mount

To rack mount two QD104 Series Quad Video Processors or two DX2000DH Data Hubs, refer to Figure 1. (Only the quads are shown. Installation of the data hubs is similar.) Do the following:

- 1** Remove the front and center screws from the sides of both units' covers. Use four of the screws and attach the short rack ears to the outer sides of each unit.
- 2** Use two cover screws and attach the V bracket to the inner side of the right unit.
- 3** Use the remaining screws and attach the mounting block to the inner side of the left unit.
- 4** Connect the units. Put the V bracket into the mounting block. Fasten the units together with the four 6-32 x 0.312-inch Phillips, pan head screws (supplied).
- 5** Use the four black, Phillips, pan head screws (supplied) and mount the assembly to the rack.

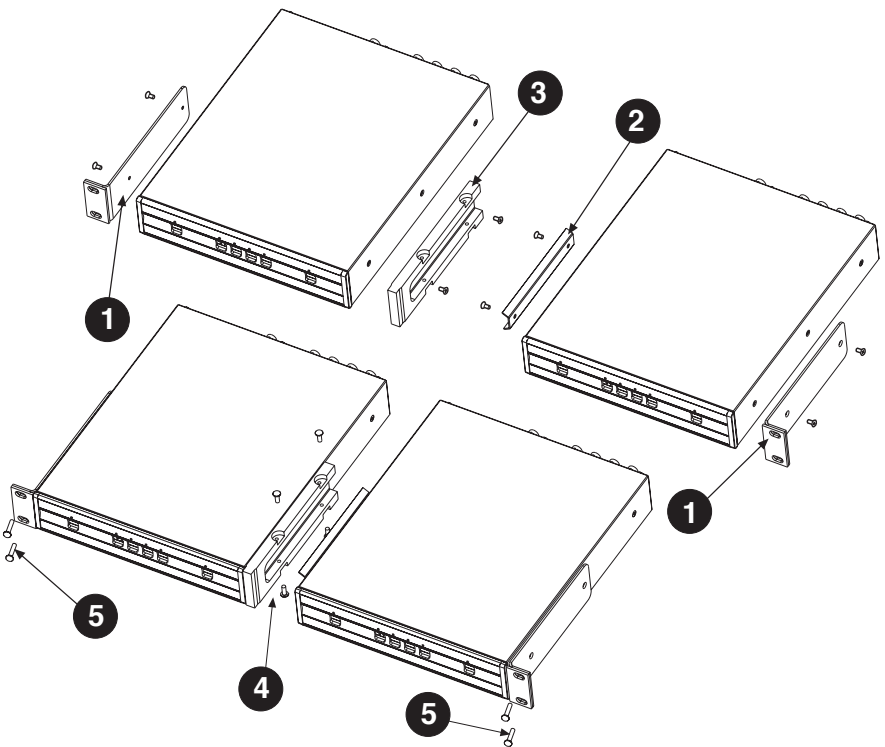


Figure 2. Double Mount (Quad Units Shown)

WARRANTY AND RETURN INFORMATION

WARRANTY

Pelco will repair or replace, without charge, any merchandise proved defective in material or workmanship for a period of one year after the date of shipment. Exceptions to this warranty are as noted below:

- Five years on Pelco manufactured cameras (CC3500/CC3600/CC3700 and MC3500/MC3600 Series); two years on all other cameras.
- Three years on Genex™ Series (multiplexers, server, and keyboard).
- Two years on all standard motorized or fixed focal length lenses.
- Two years on Legacy®, Camclosure™ Camera Systems, CM6700/CM6800/CM8500/CM9500/CM9740/CM9760 Matrix, DF5 and DF8 Series Fixed Dome products.
- Two years on Spectra®, Esprit™, and PS20 Scanners, including when used in continuous motion applications.
- Two years on Esprit and WW5700 series window wiper (excluding wiper blades).
- Eighteen months on DX Series digital video recorders.
- One year (except video heads) on video cassette recorders (VCRs). Video heads will be covered for a period of six months.
- Six months on all pan and tilts, scanners or preset lenses used in continuous motion applications (that is, preset scan, tour and auto scan modes).

Pelco will warrant all replacement parts and repairs for 90 days from the date of Pelco shipment. All goods requiring warranty repair shall be sent freight prepaid to Pelco, Clovis, California. Repairs made necessary by reason of misuse, alteration, normal wear, or accident are not covered under this warranty.

Pelco assumes no risk and shall be subject to no liability for damages or loss resulting from the specific use or application made of the Products. Pelco's liability for any claim, whether based on breach of contract, negligence, infringement of any rights of any party or product liability, relating to the Products shall not exceed the price paid by the Dealer to Pelco for such Products. In no event will Pelco be liable for any special, incidental or consequential damages (including loss of use, loss of profit and claims of third parties) however caused, whether by the negligence of Pelco or otherwise.

The above warranty provides the Dealer with specific legal rights. The Dealer may also have additional rights, which are subject to variation from state to state.

If a warranty repair is required, the Dealer must contact Pelco at (800) 289-9100 or (559) 292-1981 to obtain a Repair Authorization number (RA), and provide the following information:

1. Model and serial number
2. Date of shipment, P.O. number, Sales Order number, or Pelco invoice number
3. Details of the defect or problem

If there is a dispute regarding the warranty of a product which does not fall under the warranty conditions stated above, please include a written explanation with the product when returned.

Method of return shipment shall be the same or equal to the method by which the item was received by Pelco.

RETURNS

In order to expedite parts returned to the factory for repair or credit, please call the factory at (800) 289-9100 or (559) 292-1981 to obtain an authorization number (CA number if returned for credit, and RA number if returned for repair).

All merchandise returned for credit may be subject to a 20% restocking and refurbishing charge.

Goods returned for repair or credit should be clearly identified with the assigned CA or RA number and freight should be prepaid. Ship to the appropriate address below.

If you are located within the continental U.S.,

Alaska, Hawaii or Puerto Rico:

Service Department
Pelco
3500 Pelco Way
Clovis, CA 93612-5699

If you are located outside the continental U.S., Alaska, Hawaii or Puerto Rico:

Intermediate Consignee

American Overseas Air Freight
320 Beach Road
Burlingame, CA 94010
USA

Ultimate Consignee

Pelco
3500 Pelco Way
Clovis, CA 93612-5699
USA

© Pelco, the Pelco logo, Spectra, Genex, Legacy, and Intercept are registered trademarks of Pelco.

™ Esprit and Camclosure are trademarks of Pelco.

© Copyright 2002, Pelco. All rights reserved.

Patent Pending.

☑ **Green** The materials used in the manufacture of this document and its components are compliant to the requirement of Directive 2002/95/EC.

REVISION HISTORY

Manual #	Date	Comments
C1967M	3/00	Original version.
C1967M-A	6/02	Revised the manual to include RK101 Rack Mount Kit information.

[4] Pelco Manual C1967M-A (6/02)

Download from [Www.Somanuals.com](http://www.Somanuals.com). All Manuals Search And Download.

Free Manuals Download Website

<http://myh66.com>

<http://usermanuals.us>

<http://www.somanuals.com>

<http://www.4manuals.cc>

<http://www.manual-lib.com>

<http://www.404manual.com>

<http://www.luxmanual.com>

<http://aubethermostatmanual.com>

Golf course search by state

<http://golfingnear.com>

Email search by domain

<http://emailbydomain.com>

Auto manuals search

<http://auto.somanuals.com>

TV manuals search

<http://tv.somanuals.com>