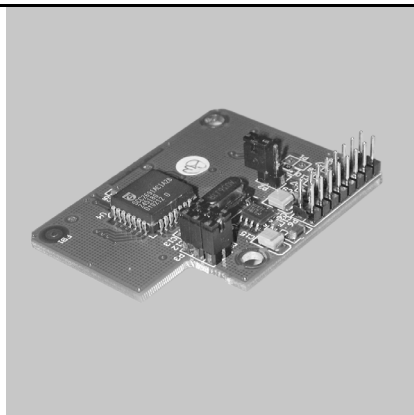




TXB-V Translator Board



C656M-E (4/07)

Contents

Important Safety Instructions	3
Important Notice	3
Regulatory Notices	4
Description	5
Esprit Installation	6
Spectra III/Spectra IV Installation	10
Spectra Mini Dome Installation	14
ExSite Installation	18
Operation	21
Special Functions Definitions	21
TXB-V Zone Programming Procedure	22
Troubleshooting	23
Appendix	24

List of Illustrations

1	Esprit System	6
2	TXB-V Termination and Baud Rate (Bottom View)	7
3	Installing the TXB-V into the Esprit	7
4	Installing the Esprit Cover	8
5	Fastening the Esprit Cover	9
6	TXB-V Termination and Baud Rate (Bottom View)	10
7	Spectra III/Spectra IV Back Box Interconnect Door	11
8	Spectra III/Spectra IV Back Box Circuit Board	12
9	Spectra III Dome Drive DIP Switches	13
10	Spectra IV Dome Drive DIP Switches	13
11	Spectra III/Spectra IV Dome Drive Installation	13
12	Locating the Spectra Mini Dome DIP Switches	14
13	TXB-V Termination and Baud Rate (Bottom View)	15
14	Removing the Mini Dome Cover and Shorting Plug	16
15	Installing the TXB-V and Mini Dome Cover	16
16	ExSite Spanner Wrench	18
17	Removing the ExSite Pan and Tilt Unit	18
18	TXB-V Termination and Baud Rate (Bottom View)	19
19	Installing the TXB-V into the ExSite	20

List of Tables

A	Receiver Address Settings	24
---	-------------------------------------	----

Important Safety Instructions

1. Read these instructions.
2. Keep these instructions.
3. Heed all warnings.
4. Follow all instructions.
5. Only use attachments/accessories specified by the manufacturer.
6. Installation should be done only by qualified personnel and conform to all local codes.

Only use replacement parts recommended by Pelco.

The product and/or manual may bear the following marks:



This symbol indicates that dangerous voltage constituting a risk of electric shock is present within this unit.



This symbol indicates that there are important operating and maintenance instructions in the literature accompanying this unit.

CAUTION:
RISK OF ELECTRIC SHOCK.
DO NOT OPEN.

Important Notice

All companies make changes and improvements in their products on a regular basis. Because this product is interfacing with equipment not manufactured by Pelco, the possibility exists that the interface protocols have changed or are in a different configuration from earlier tested units; therefore, an incompatibility may occur. The existence of prior successful installations indicates our intent to provide equipment compatible with other manufacturers, but does not guarantee successful results without on-site integration testing.

Pelco recommends purchasing a single unit for bench testing before the purchase and installation of this product in quantity. Should any problems occur, Pelco will provide on-site technical support (North American installations only) to analyze the interface protocols of your system. We will typically schedule this visit within one week of when the problem is reported to Pelco Technical Support. Pelco will endeavor, at its expense, to correct the interface incompatibility within two weeks on a high priority basis. During these visits, the end user must agree to give Pelco reasonable access to the system in order to study and correct the protocol incompatibility.

In the unlikely event that Pelco is unable to make the translator work in the system, Pelco will accept the return of any Pelco products associated with the translator and refund the amounts paid for these products plus freight expenses. Because Pelco recommends a bench test prior to installation, Pelco will not be liable for any installation costs or lost revenues in the event it cannot solve the compatibility problem.

Regulatory Notices

This device complies with Part 15 of the FCC Rules. Operation is subject to the following two conditions: (1) this device may not cause harmful interference, and (2) this device must accept any interference received, including interference that may cause undesired operation.

RADIO AND TELEVISION INTERFERENCE

This equipment has been tested and found to comply with the limits of a Class B digital device, pursuant to Part 15 of the FCC Rules. These limits are designed to provide reasonable protection against harmful interference in a residential installation. This equipment generates, uses, and can radiate radio frequency energy and, if not installed and used in accordance with the instructions, may cause harmful interference to radio communications. However there is no guarantee that the interference will not occur in a particular installation. If this equipment does cause harmful interference to radio or television reception, which can be determined by turning the equipment off and on, the user is encouraged to try to correct the interference by one or more of the following measures:


- Reorient or relocate the receiving antenna.
- Increase the separation between the equipment and the receiver.
- Connect the equipment into an outlet on a circuit different from that to which the receiver is connected.
- Consult the dealer or an experienced radio/TV technician for help.

You may also find helpful the following booklet, prepared by the FCC: "How to Identify and Resolve Radio-TV Interference Problems." This booklet is available from the U.S. Government Printing Office, Washington D.C. 20402.

Changes and modifications not expressly approved by the manufacturer or registrant of this equipment can void your authority to operate this equipment under Federal Communications Commission's rules.

This Class B digital apparatus complies with Canadian ICES-003.

Cet appareil numérique de la classe B est conforme à la norme NMB-003 du Canada.

 **Green** The materials used in the manufacture of this document and its components are compliant to the requirements of Directive 2002/95/EC.



This equipment contains electrical or electronic components that must be recycled properly to comply with Directive 2002/96/EC of the European Union regarding the disposal of waste electrical and electronic equipment (WEEE). Contact your local dealer for procedures for recycling this equipment.

Description

The TXB-V translator board allows Vicon® controllers to communicate with Pelco's ExSite™, Esprit®, and Spectra® systems. After setup, the controller functions the same as a Vicon controller normally would, except as noted in the *Operation* section on page 21.

The TXB-V translator board has been tested and shown to work with the following Vicon systems:

- V1300X-DVC Remote Control Panel
- VPS324 Matrix Controller
- V1422™ Matrix Controller
- V4480SCC Matrix 44® Card Cage
- V6680SCC Matrix 66™ Card Cage

Based on the information published by the manufacturer, Pelco has reason to believe that the translator board will also work with the following Vicon models:

- VPS1344™ Matrix Switching System
- V1300 Series NOVA™ Programmable Matrix Switching System
- V1400X-DVC System Console Control Station

Parts List

The following items are supplied:

- 1 TXB-V translator board (printed circuit board)
- 1 6-32 screw with lock washer (for Spectra III™/Spectra IV Series only)
- 1 4-40 screw with lock washer (unused)

Esprit Installation

To install the TXB-V translator board in an Esprit system (refer to Figure 1):

1. Turn off power to the Esprit system.
2. Remove the left cover from the pan and tilt.
3. Remove the shorting plug from the 16-pin connector on the Esprit system's circuit board.
4. Remove the nut and washer from the standoff on the Esprit system's circuit board.

NOTES:

- Discard the 6-32 and 4-40 screws and their lock washers; they are not used in the Esprit system.
- Save the 16-pin shorting plug. Otherwise, the Esprit cannot be converted back to a Pelco-controlled system.

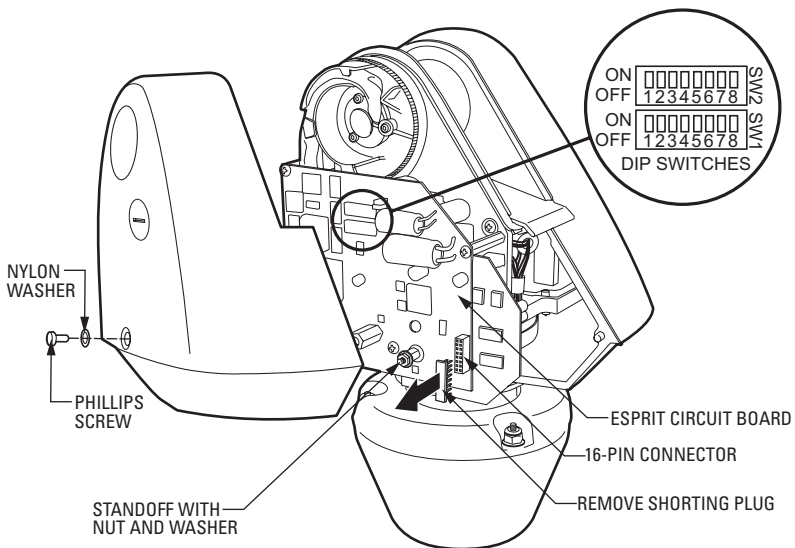


Figure 1. Esprit System

5. Set the P2 jumper on the TXB-V to the proper termination setting (refer to Figure 2). Note the following:
 - By default, the P2 jumper is installed in the unterminated position.
 - All TXB-Vs in a daisy chain, except the last unit, must be unterminated.
 - The total wire distance from the Vicon controller to the last TXB-V in a daisy chain must be less than 4,000 ft (1,219 m).
 - A maximum of 10 receivers can be installed on a single daisy chain.
 - To unterminate a TXB-V, remove the P2 jumper from the TXB-V and place it over one pin for storage.

NOTE: When combining Pelco and Vicon receivers in the same system, refer to the Vicon manual for proper RS-485 configuration of the Vicon receiver(s).

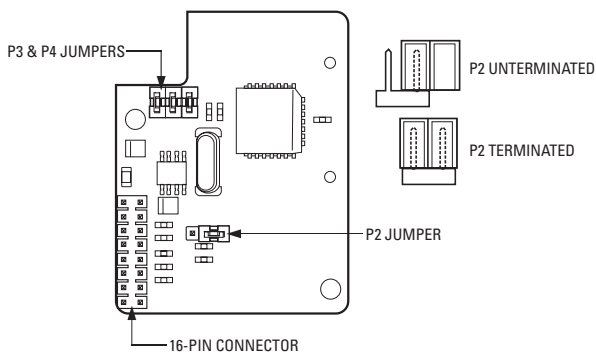


Figure 2. TXB-V Termination and Baud Rate (Bottom View)

6. Set the baud rate for the TXB-V translator board (from the controller). Use the P3 and P4 jumpers (refer to the following table).

Baud	P3	P4
600	OFF	OFF
4800*	ON	ON
9600	OFF	ON
19.2K	ON	OFF

*Factory default.

7. Install the TXB-V on the Esprit circuit board (refer to Figure 3):
 - a. Insert the 16-pin connector on the bottom of the TXB-V into the mating 16-pin connector on the Esprit circuit board.
 - b. Reinstall the nut and washer on the standoff to secure the TXB-V to the Esprit circuit board.

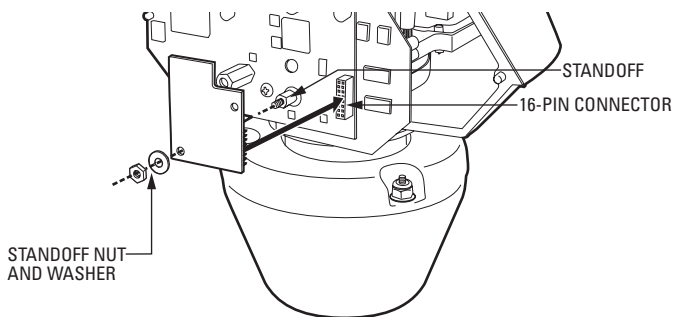


Figure 3. Installing the TXB-V into the Esprit

8. Set the DIP switches on the Esprit system (refer to Figure 1 on page 6 for switch location):
 - a. SW1: Set all SW1 switches to the OFF position.
 - b. SW2: Set the Esprit address (refer to Table A on page 24 of the *Appendix* for switch settings).

9. Reinstall the left cover of the pan and tilt:



WARNING: Make sure you seal the unit. Otherwise, moisture could disable or damage the Esprit.

- a. Properly position the cover and slide it into place. The sides of the cover must fit under the front and back rain guards of the pan and tilt. The top of the cover must seat against the lip of the top gasket. (Refer to Figure 4.)

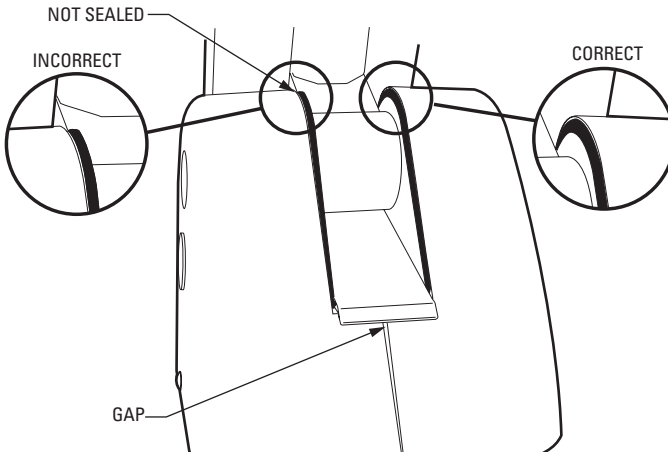


Figure 4. Installing the Esprit Cover

- b. Apply pressure and push the top of the cover down to align the screw holes (refer to Figure 5).
c. Insert the Phillips screw and washer. Tighten until the screw will not turn.

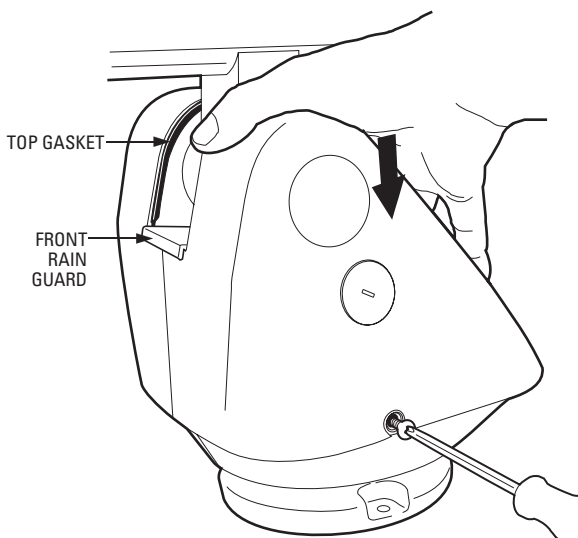


Figure 5. Fastening the Esprit Cover

10. Remove the pan and tilt from the base of the Esprit system.
11. Check the control wiring inside the base of the unit. Refer to the Esprit documentation and the documentation supplied with your controller to make sure the wiring is correct.

Vicon Controller Terminal Block J1	Esprit Wire Harness
Pin 9 Response Out +	White (TX+)
Pin 8 Response Out -	Black (TX-)
Pin 3 Command In +	Red (RX+)
Pin 2 Command In -	Green (RX-)

12. Reattach the pan and tilt onto the base of the unit.
13. Apply power to the system. The following message appears on the monitor as soon as the Esprit configuration cycle is completed:

TXB-V REV x.xx

NOTE: x.xx represents the current firmware revision.

Spectra III/Spectra IV Installation

To install the TXB-V translator board in a Spectra III/Spectra IV Series:

1. Turn off power to the dome system.
2. Remove the lower dome.
3. Remove the dome drive by pressing in the blue and red tabs on the sides of the dome drive. Gently rock the dome drive to release it from the back box.
4. Set the P2 jumper on the TXB-V to the proper termination setting (refer to Figure 6). Note the following:
 - By default, the P2 jumper is installed in the unterminated position.
 - All TXB-Vs in a daisy chain, except the last unit, must be unterminated.
 - The total wire distance from the Vicon controller to the last TXB-V in a daisy chain must be less than 4,000 ft (1,219 m).
 - A maximum of 10 receivers can be installed on a single daisy chain.
 - To unterminate a TXB-V, remove the P2 jumper from the TXB-V and place it over one pin for storage.

NOTE: When combining Pelco and Vicon receivers in the same system, refer to the Vicon manual for proper RS-485 configuration of the Vicon receiver(s).

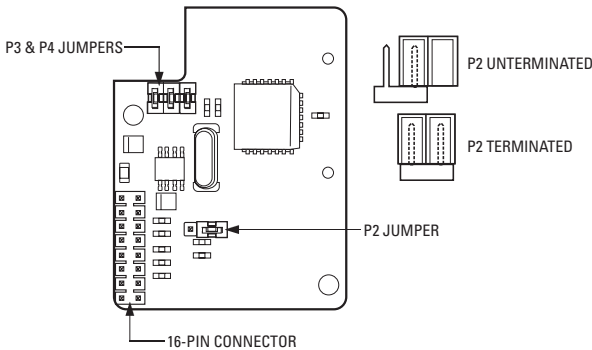


Figure 6. TXB-V Termination and Baud Rate (Bottom View)

5. Set the baud rate for the TXB-V translator board (from the controller). Use the P3 and P4 jumpers (refer to the following table).

Baud	P3	P4
600	OFF	OFF
4800*	ON	ON
9600	OFF	ON
19.2K	ON	OFF

*Factory default.

6. Install the TXB-V translator board into the back box:
 - a. Open the hinged door to the back box. Push the tab lock towards the back box wall of the unit and open the door (refer to Figure 7).

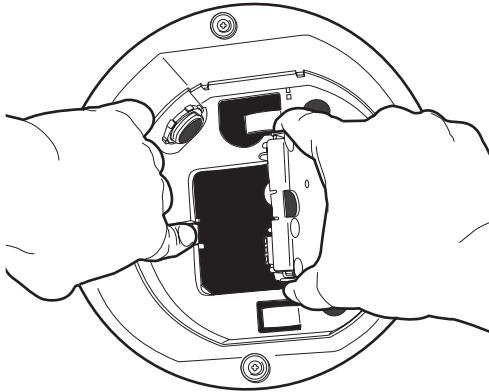


Figure 7. Spectra III/Spectra IV Back Box Interconnect Door

- b. Check the wiring to the controller. Refer to the Spectra III/Spectra IV documentation and the documentation supplied with your controller to make sure the wiring is correct.

Vicon Controller Terminal Block J1	Spectra III/Spectra IV Four-Wire Terminal Block
Pin 9 Response Out +	TX+
Pin 8 Response Out -	TX-
Pin 3 Command In +	RX+
Pin 2 Command In -	RX-

- c. Remove the shorting plug from the 16-pin connector located on the back box circuit board (refer to Figure 8).

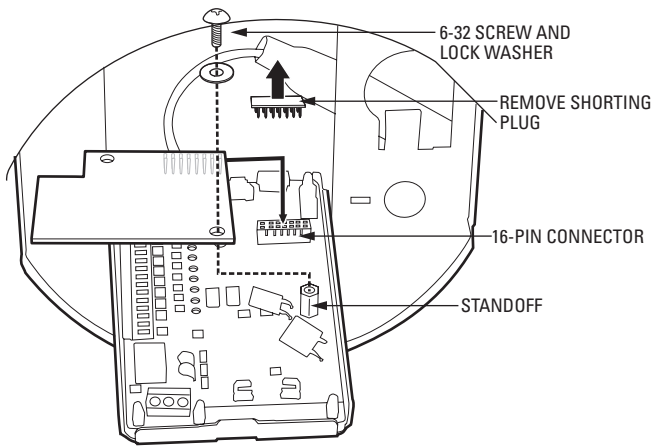


Figure 8. Spectra III/Spectra IV Back Box Circuit Board

NOTES:

- Discard the 4-40 screw and its lock washer; they are not used in the Spectra III/Spectra IV system.
 - Save the 16-pin shorting plug. Otherwise, the Spectra III/Spectra IV cannot be converted back to a Pelco-controlled system.
- d. Insert the TXB-V board into the 16-pin connector located on the back box circuit board. Secure the translator board to the standoff on the circuit board using the supplied 6-32 screw and lock washer.
- e. Close the interconnect door. Snap the tab lock into place.
7. Set the DIP switches on the Spectra III/Spectra IV system (refer to Figure 9 and Figure 10 on page 13 for switch locations):
- a. Set the SW1 switches on the dome drive to assign the address (refer to Table A on page 24 of the *Appendix* for switch settings).

- b. For Spectra III systems, set all SW3 switches on the dome to the OFF position.
For Spectra IV systems, set SW2-1 through SW2-8 to the OFF position.

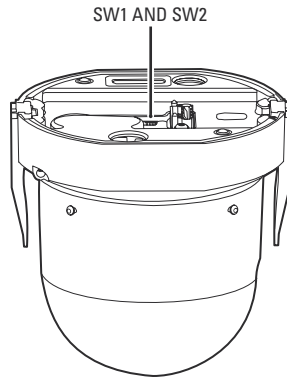
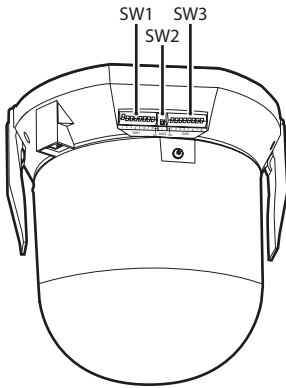


Figure 9. Spectra III Dome Drive DIP Switches

Figure 10. Spectra IV Dome Drive DIP Switches

8. Install the dome drive (refer to Figure 11). Line up the blue (A) and red (B) tabs with the blue (A) and red (B) labels. When pushing the tabs in, insert one side, then the other. Continue pushing on the ends of the tabs until both tabs click into place.

NOTE: Refer to the installation manual supplied with the Spectra III/Spectra IV dome for instructions on installing the back box, dome drive, and lower dome.

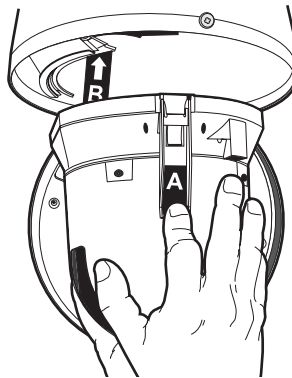


Figure 11. Spectra III/Spectra IV Dome Drive Installation

9. Install the lower dome.
10. Apply power to the system. The following message appears on the monitor as soon as the Spectra III/Spectra IV configuration cycle is completed:

TXB-V REV x.xx

NOTE: x.xx represents the current firmware revision.

Spectra Mini Dome Installation

To install the TXB-V translator board in a Spectra Mini dome:

NOTE: Installing a TXB-V into a mini dome increases unit height. In surface mount installations, you must cut a hole in the surface to accommodate the TXB-V cover. For an installation template and more information, refer to the Spectra Mini Dome Installation manual.

1. Turn off power to the dome system.
2. If the Spectra Mini dome is already installed, remove it to access the top of the dome drive where the translator board will be installed.
3. Place the dome drive on a flat surface with the dome liner pointing up.
4. Set the DIP switches on the dome (refer to Figure 12 for switch location):

NOTE: There are no SW1 switch settings on the Spectra Mini dome.

- a. Point the camera straight up.
- b. Using a flashlight, look through the viewing slot of the dome liner. Rotate the dome liner until you see two DIP switches in the bottom of the housing.

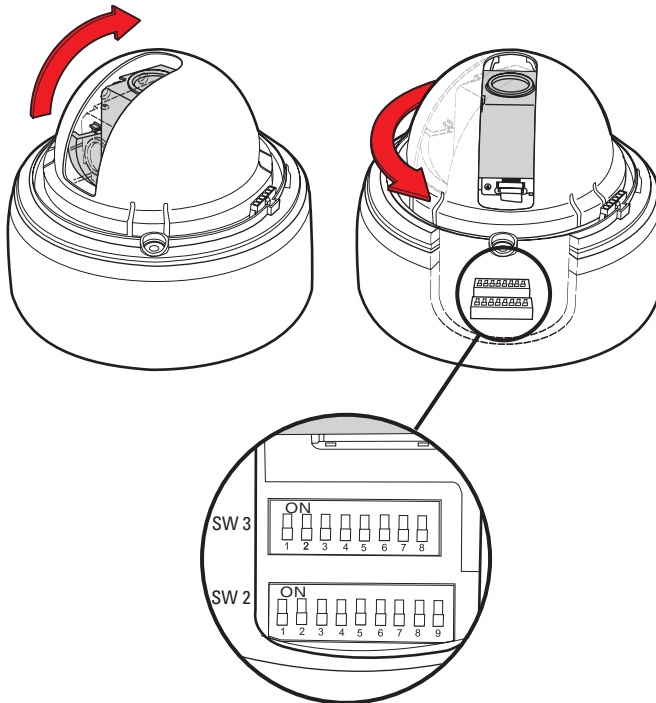


Figure 12. Locating the Spectra Mini Dome DIP Switches

- c. SW2: Set all switches to the OFF position.
- d. SW3: Set the Spectra Mini dome address (refer to Table A on page 24 of the *Appendix* for switch settings).

5. Set the P2 jumper on the TXB-V to the proper termination setting (refer to Figure 13). Note the following:
 - By default, the P2 jumper is installed in the unterminated position.
 - All TXB-Vs in a daisy chain, except the last unit, must be unterminated.
 - The total wire distance from the Vicon controller to the last TXB-V in a daisy chain must be less than 4,000 ft (1,219 m).
 - A maximum of 10 receivers can be installed on a single daisy chain.
 - To terminate a TXB-V, remove the P2 jumper from the TXB-V and place it over one pin for storage.

NOTE: When combining Pelco and Vicon receivers in the same system, refer to the Vicon manual for proper RS-485 configuration of the Vicon receiver(s).

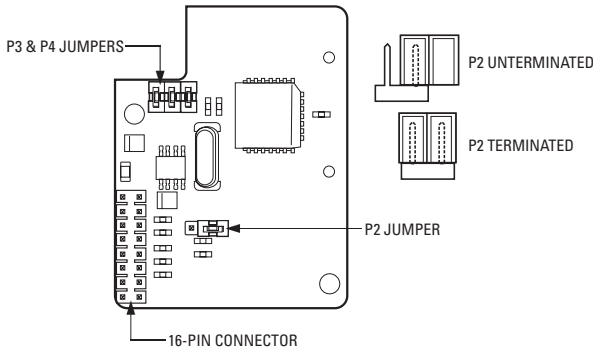


Figure 13. TXB-V Termination and Baud Rate (Bottom View)

6. Set the baud rate for the TXB-V translator board (from the controller). Use the P3 and P4 jumpers (refer to the following table).

Baud	P3	P4
600	OFF	OFF
4800*	ON	ON
9600	OFF	ON
19.2K	ON	OFF

*Factory default.

7. Install the TXB-V translator board (refer to Figure 14 and Figure 15 on page 16):
 - a. Remove the cover from the top of the dome drive.
 - b. Remove the shorting plug from the 16-pin connector located on the Spectra Mini dome circuit board.

NOTES:

- Discard the 4-40 and 6-32 screws and their lock washers; they are not used in the Spectra Mini dome.
- Save the 16-pin shorting plug and the original cover from the Spectra Mini dome. Otherwise, the unit cannot be converted back to a Pelco-controlled system.

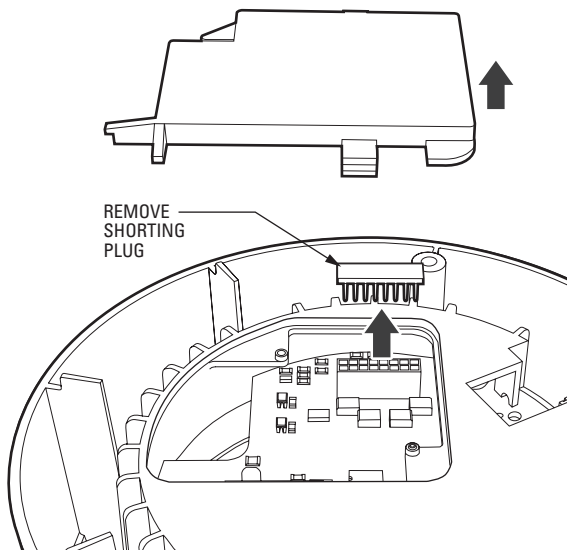


Figure 14. Removing the Mini Dome Cover and Shorting Plug

- c. Insert the TXB-V translator board into the 16-pin connector on the Spectra Mini dome's circuit board.
- d. Install the translator board cover that is supplied with the Spectra Mini dome.

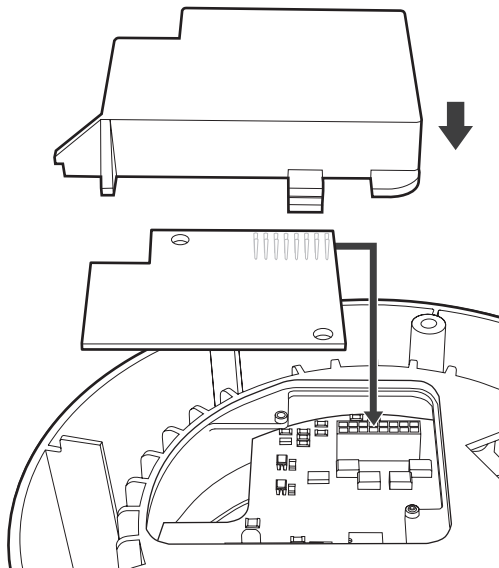


Figure 15. Installing the TXB-V and Mini Dome Cover

8. Check the wiring to the controller. Refer to the Spectra Mini dome documentation and the documentation supplied with your controller to make sure the wiring is correct.

Vicon Controller Terminal Block J1	Spectra Mini Dome RJ45-10 Connector
Pin 9 Response Out +	Pin 6 (TX+)
Pin 8 Response Out -	Pin 5 (TX-)
Pin 3 Command In +	Pin 4 (RX+)
Pin 2 Command In -	Pin 3 (RX-)

9. Refer to the installation manual for the Spectra Mini dome to complete the installation.
10. Apply power to the system. The following message appears on the monitor as soon as the Spectra Mini dome configuration cycle is completed:

TXB-V REV x.xx

NOTE: x.xx represents the current firmware revision.

ExSite Installation

To install the TXB-V translator board in an ExSite unit:

⚠ WARNING: To reduce the risk of ignition of hazardous atmospheres, disconnect the equipment from the supply circuit before opening.

1. Turn off the power to the ExSite system.

⚠ WARNING: Total weight of the pan and tilt component is 55 lb (25 kg). Use caution when lifting and assembling the pan and tilt component on the power module. It is recommended that nonslip gloves be worn during installation or removal.

2. Remove the pan and tilt unit from the power module (refer to Figure 16 and Figure 17):
 - a. Loosen the setscrew in the locking ring with a 2 mm Allen wrench.
 - b. Loosen the locking ring with a spanner wrench (Pelco part #MF00-1251-121A).
 - c. Carefully unscrew the locking ring and remove the pan and tilt unit from the power module.

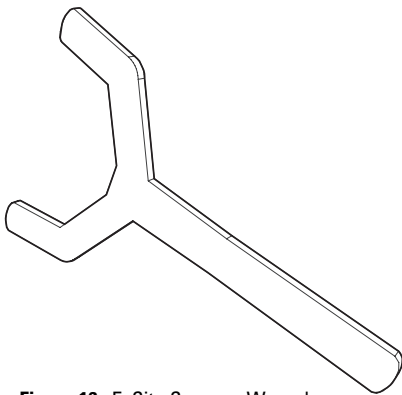


Figure 16. ExSite Spanner Wrench

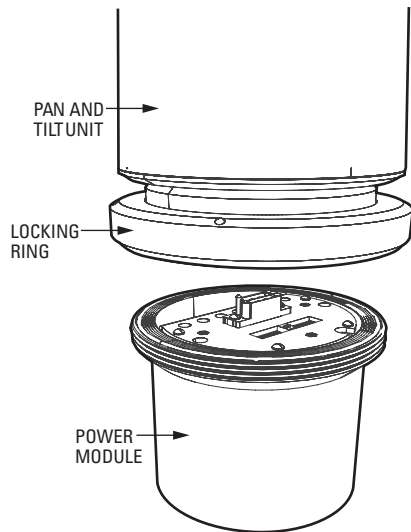


Figure 17. Removing the ExSite Pan and Tilt Unit

3. Set the P2 jumper on the TXB-V to the proper termination setting (refer to Figure 18 on page 19). Note the following:
 - By default, the P2 jumper is installed in the unterminated position.
 - All TXB-Vs in a daisy chain, except the last unit, must be unterminated.
 - The total wire distance from the Vicon controller to the last TXB-V in a daisy chain must be less than 4,000 ft (1,219 m).
 - A maximum of 10 receivers can be installed on a single daisy chain.

- To terminate a TXB-V, remove the P2 jumper from the TXB-V and place it over one pin for storage.

NOTE: When combining Pelco and Vicon receivers in the same system, refer to the Vicon manual for proper RS-485 configuration of the Vicon receiver(s).

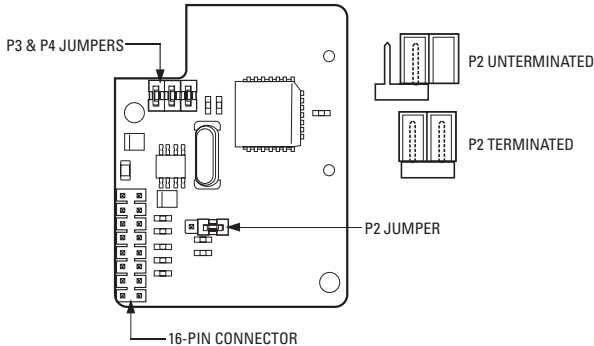


Figure 18. TXB-V Termination and Baud Rate (Bottom View)

- Set the baud rate for the TXB-V translator board (from the controller). Use the P3 and P4 jumpers (refer to the following table).

Baud	P3	P4
600	OFF	OFF
4800*	ON	ON
9600	OFF	ON
19.2K	ON	OFF

*Factory default.

- Install the TXB-V board on the power module (refer to Figure 19 on page 20):
 - Remove the shorting plug from the 16-pin connector located on the ExSite system's circuit board.

NOTES:

- Discard the 6-32 and 4-40 screws and their lock washers; they are not used in the ExSite system.
 - Save the 16-pin shorting plug. Otherwise, the ExSite cannot be converted back to a Pelco-controlled system.
- Insert the TXB-V board into the 16-pin connector on the ExSite system's circuit board. Confirm that the TXB-V board is fully seated into the 16-pin connector.

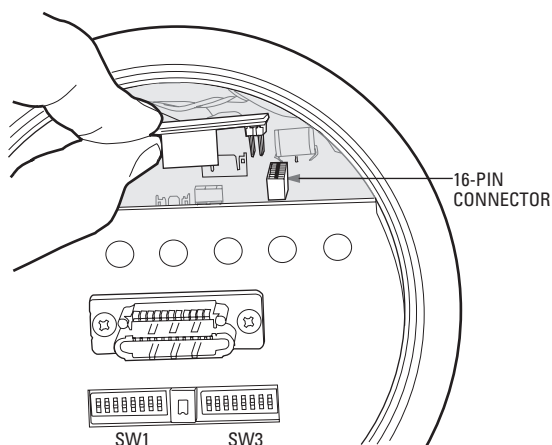


Figure 19. Installing the TXB-V into the ExSite

6. Check the wiring to the controller. Refer to the ExSite documentation and the documentation supplied with your controller to make sure the wiring is correct.

Vicon Controller Terminal Block J1	ExSite Wire Harness
Pin 9 Response Out +	White/Orange (TX+)
Pin 8 Response Out -	White/Blue (TX-)
Pin 3 Command In +	Red (RX+)
Pin 2 Command In -	Green (RX-)

7. Set the DIP switches on the ExSite system (refer to Figure 19 for switch location):
 - a. SW3: Verify that all SW3 switches on the ExSite power module are set to the OFF position.
 - b. SW1: Set the ExSite address (refer to Table A on page 24 of the *Appendix* for switch settings).
8. Attach the pan and tilt unit to the power module (refer to Figure 16 and Figure 17 on page 18):
 - a. Align the pan and tilt unit with the power module. Carefully begin to hand tighten the locking ring onto the threads of the power module.
 - b. Continue to tighten the locking ring with a spanner wrench.
 - c. Tighten the setscrew in the locking ring with a 2 mm Allen wrench.

NOTE: Refer to the installation manual supplied with the ExSite system for instructions on attaching the pan and tilt unit to the power module.

9. Apply power to the system. The following message appears on the monitor as soon as the ExSite configuration cycle is completed:

TXB-V REV x.xx

NOTE: x.xx represents the current firmware version.

Operation

Set preset 94 to access the camera menus. Press Iris Open to select menu items. The following table shows how the Vicon keyboard relates to the Pelco translator. Refer to your Vicon documentation for operating instructions.

SPECIAL FUNCTIONS DEFINITIONS

Vicon Keyboard	Unit Function	Pelco Function
Pan, tilt, zoom, focus, and iris functions	Moves unit accordingly	Pan, tilt, zoom, focus, and iris functions
<i>(Keyboard in PGM Mode)</i> 1-32 Preset 33-64 Preset	Saves camera position as preset 1-32 Saves camera position as preset 33-64	Sets preset 1-32 Sets preset 35-66
AUX toggle 1-2 (On/Off) AUX toggle 3-6	Activates auxiliaries 1-2 No action on Pelco receivers	Toggles auxiliaries 1-2 on/off Ignored
Auto pan toggle (On) Auto pan toggle (Off)	Runs auto pan Stops auto pan	Calls preset 99 Calls preset 96
<i>(Keyboard in RUN Mode)</i> 1-32 Preset 33-64 Preset 65 Preset 66 Preset 67-87 Preset 88 Preset 89 Preset 90 Preset 91 Preset 92 Preset 96 Preset 97 Preset 98 Preset 99 Preset	Moves camera to preset position 1-32 Moves camera to preset position 33-64 Camera flips 180 degrees Pans to zero No action Runs pattern 1 (short) Runs pattern 2 (short) Runs long pattern Inserts IR filter* Removes IR filter* Stops scanning Runs random scan Runs frame scan Runs auto scan	Calls preset 1-32 Calls preset 35-66 Calls preset 33 Calls preset 34 Ignored Calls pattern #1 Calls pattern #2 Calls long pattern Calls preset 88 Calls preset 89 Calls preset 96 (stop scan) Calls preset 97 Calls preset 98 Calls preset 99
<i>(Keyboard in PGM Mode)</i> 65-79 Preset 80-87 Preset Auto pan key 88 Preset 89 Preset 90 Preset 91 Preset 92 Preset 93 Preset 94 Preset 95 Preset 96 Preset 97 Preset 98 Preset 99 Preset Lens speed toggle Auto iris toggle (On/Off)	No action Sets start point (left limit) of zones 1-8 Sets end point (right limit) of zones 1-8 Begins programming pattern #1 Begins programming pattern #2 Begins programming long pattern Ends programming of a pattern Sets manual pan left limit**** Sets manual pan right limit**** Shows program menu** Enables zone label display Disables zone label display Performs power-on reset Sets Auto pan left limit*** Sets Auto pan right limit*** Sets zoom speed Controls auto iris	Ignored Sets zone 1-8 start Sets zone 1-8 end Sets pattern #1 (short) Sets pattern #2 (short) Sets long pattern (#0) Ends pattern programming Sets preset 90 Sets preset 91 Sets preset 95 Displays zone label Returns to normal screen Remote reset Sets preset 92 Sets preset 93 Toggles through zoom speeds Auto on/off

* Spectra SD53CBW family, Spectra SD435 family, Esprit ES30CBW18 family, Esprit ES31CBW18 family, ExSite IPSXM30CBW family, ExSite IPSXM31CBW family, ExSite EHXM30CBW family, and ExSite EHXM31CBW family.

** Iris Open selects menu items.

*** Refer to the Pelco system operation manuals for details on how to clear limit stops.

TXB-V ZONE PROGRAMMING PROCEDURE

A zone is a pan area, defined by a left and right limit, on the 360-degree pan plane. To program a zone using a Vicon controller (refer to the manual supplied with the controller):

Step	Procedure
1. Set left zone limit.	a. Position the Pelco unit at the left limit of the zone. b. Issue the zone start command (PRG 8# PRESET) for the zone number being programmed; # is a number between 0 and 7 that represents zones 1 through 8.
2. Set right zone limit.	a. Position the Pelco unit at the right limit of the zone. b. Issue the zone end command by pressing the Auto Pan key.
3. Enable the zone label display.	Issue the enable zone label command (PRG 95 PRESET) to display the zone label.

IMPORTANT: (Spectra III/Spectra IV and ExSite systems only): After programming a zone, always enable the zone through the Pelco unit programming menu. Refer to the operation/programming manual supplied with the Pelco system.

Operation Notes:

1. Focus speed cannot be set with the Vicon controller.
2. The Event Tour function on the Vicon controller does not function.
3. On-screen titling is only available on Spectra III/Spectra IV (v1.28 and higher).
4. Zone labels use only defaults (Zone 1, Zone 2, etc.)
5. Upon completion of pattern programming, issue an end pattern command (91 Set on the Vicon controller) to enable Turbo speed during panning. If this is not done, Turbo speed will be unavailable until 10 minutes after starting pattern programming.
6. Alarms from the Pelco receiver will not activate alarm LEDs on the Vicon controller.
7. LEDs on the Vicon controller may be out of sync when the receiver's start-up defaults are changed, when the receiver is reset, or if a receiver alarm triggers a status change. To correct, press and release the affected key.
8. The communication parameters that are displayed momentarily on the selected monitor immediately after initial power-up pertain *only* to the communication link between the translator board and the Pelco unit. Communication parameters between the translator board and the Vicon controller are selected with jumpers P3 and P4.

Troubleshooting

Symptom	Possible Cause	Suggested Remedy
No video is displayed.	Power is not connected to the Pelco unit.	Check the power connector.
	Video cable is not connected to the Pelco unit.	Check the video connector.
	Translator board is not inserted properly.	Reinstall the translator board. Make sure the pins on the board are inserted correctly.
Pelco unit information (model, firmware, Pelco P and D addresses, and communication settings) does not appear after the configuration cycle.	The Pelco unit cannot complete its configuration cycle.	Refer to the troubleshooting section of the product manual for the Pelco unit.
The message "TXB-V REV x.xx" does not appear.	The baud rate setting on the Pelco unit is not correct. The setting appears on power-up.	Make sure the baud rate setting on the Pelco unit is 2400. Then cycle device power.
The Pelco unit does not respond to commands.	The unit address is not correct.	Make sure the Pelco unit (receiver) address is correct. This address can range from 1 to 255.
		Make sure the controller is addressing the correct Pelco unit.
	The receiving and transmitting lines are not connected properly.	Make sure the TX+, TX-, RX+, and RX- lines are properly connected. (Refer to the wiring tables in this manual as well as the troubleshooting section of the product manual for the controller.)
	The command was lost between the controller and the Pelco unit.	Retry the command.

Appendix

Table A. Receiver Address Settings

Receiver Address	Switch Setting							
	1	2	3	4	5	6	7	8
1	ON	OFF	OFF	OFF	OFF	OFF	OFF	OFF
2	OFF	ON	OFF	OFF	OFF	OFF	OFF	OFF
3	ON	ON	OFF	OFF	OFF	OFF	OFF	OFF
4	OFF	OFF	ON	OFF	OFF	OFF	OFF	OFF
5	ON	OFF	ON	OFF	OFF	OFF	OFF	OFF
6	OFF	ON	ON	OFF	OFF	OFF	OFF	OFF
7	ON	ON	ON	OFF	OFF	OFF	OFF	OFF
8	OFF	OFF	OFF	ON	OFF	OFF	OFF	OFF
9	ON	OFF	OFF	ON	OFF	OFF	OFF	OFF
10	OFF	ON	OFF	ON	OFF	OFF	OFF	OFF
11	ON	ON	OFF	ON	OFF	OFF	OFF	OFF
12	OFF	OFF	ON	ON	OFF	OFF	OFF	OFF
13	ON	OFF	ON	ON	OFF	OFF	OFF	OFF
14	OFF	ON	ON	ON	OFF	OFF	OFF	OFF
15	ON	ON	ON	ON	OFF	OFF	OFF	OFF
16	OFF	OFF	OFF	OFF	ON	OFF	OFF	OFF
17	ON	OFF	OFF	OFF	ON	OFF	OFF	OFF
18	OFF	ON	OFF	OFF	ON	OFF	OFF	OFF
19	ON	ON	OFF	OFF	ON	OFF	OFF	OFF
20	OFF	OFF	ON	OFF	ON	OFF	OFF	OFF
21	ON	OFF	ON	OFF	ON	OFF	OFF	OFF
22	OFF	ON	ON	OFF	ON	OFF	OFF	OFF
23	ON	ON	ON	OFF	ON	OFF	OFF	OFF
24	OFF	OFF	OFF	ON	ON	OFF	OFF	OFF
25	ON	OFF	OFF	ON	ON	OFF	OFF	OFF
26	OFF	ON	OFF	ON	ON	OFF	OFF	OFF
27	ON	ON	OFF	ON	ON	OFF	OFF	OFF
28	OFF	OFF	ON	ON	ON	OFF	OFF	OFF
29	ON	OFF	ON	ON	ON	OFF	OFF	OFF
30	OFF	ON	ON	ON	ON	OFF	OFF	OFF
31	ON	ON	ON	ON	ON	OFF	OFF	OFF
32	OFF	OFF	OFF	OFF	OFF	ON	OFF	OFF
33	ON	OFF	OFF	OFF	OFF	ON	OFF	OFF
34	OFF	ON	OFF	OFF	OFF	ON	OFF	OFF
35	ON	ON	OFF	OFF	OFF	ON	OFF	OFF
36	OFF	OFF	ON	OFF	OFF	ON	OFF	OFF
37	ON	OFF	ON	OFF	OFF	ON	OFF	OFF

Table A. Receiver Address Settings (Continued)

Receiver Address	Switch Setting							
	1	2	3	4	5	6	7	8
38	OFF	ON	ON	OFF	OFF	ON	OFF	OFF
39	ON	ON	ON	OFF	OFF	ON	OFF	OFF
40	OFF	OFF	OFF	ON	OFF	ON	OFF	OFF
41	ON	OFF	OFF	ON	OFF	ON	OFF	OFF
42	OFF	ON	OFF	ON	OFF	ON	OFF	OFF
43	ON	ON	OFF	ON	OFF	ON	OFF	OFF
44	OFF	OFF	ON	ON	OFF	ON	OFF	OFF
45	ON	OFF	ON	ON	OFF	ON	OFF	OFF
46	OFF	ON	ON	ON	OFF	ON	OFF	OFF
47	ON	ON	ON	ON	OFF	ON	OFF	OFF
48	OFF	OFF	OFF	OFF	ON	ON	OFF	OFF
49	ON	OFF	OFF	OFF	ON	ON	OFF	OFF
50	OFF	ON	OFF	OFF	ON	ON	OFF	OFF
51	ON	ON	OFF	OFF	ON	ON	OFF	OFF
52	OFF	OFF	ON	OFF	ON	ON	OFF	OFF
53	ON	OFF	ON	OFF	ON	ON	OFF	OFF
54	OFF	ON	ON	OFF	ON	ON	OFF	OFF
55	ON	ON	ON	OFF	ON	ON	OFF	OFF
56	OFF	OFF	OFF	ON	ON	ON	OFF	OFF
57	ON	OFF	OFF	ON	ON	ON	OFF	OFF
58	OFF	ON	OFF	ON	ON	ON	OFF	OFF
59	ON	ON	OFF	ON	ON	ON	OFF	OFF
60	OFF	OFF	ON	ON	ON	ON	OFF	OFF
61	ON	OFF	ON	ON	ON	ON	OFF	OFF
62	OFF	ON	ON	ON	ON	ON	OFF	OFF
63	ON	ON	ON	ON	ON	ON	OFF	OFF
64	OFF	OFF	OFF	OFF	OFF	OFF	ON	OFF
65	ON	OFF	OFF	OFF	OFF	OFF	ON	OFF
66	OFF	ON	OFF	OFF	OFF	OFF	ON	OFF
67	ON	ON	OFF	OFF	OFF	OFF	ON	OFF
68	OFF	OFF	ON	OFF	OFF	OFF	ON	OFF
69	ON	OFF	ON	OFF	OFF	OFF	ON	OFF
70	OFF	ON	ON	OFF	OFF	OFF	ON	OFF
71	ON	ON	ON	OFF	OFF	OFF	ON	OFF
72	OFF	OFF	OFF	ON	OFF	OFF	ON	OFF
73	ON	OFF	OFF	ON	OFF	OFF	ON	OFF
74	OFF	ON	OFF	ON	OFF	OFF	ON	OFF
75	ON	ON	OFF	ON	OFF	OFF	ON	OFF
76	OFF	OFF	ON	ON	OFF	OFF	ON	OFF
77	ON	OFF	ON	ON	OFF	OFF	ON	OFF

Table A. Receiver Address Settings (Continued)

Receiver Address	Switch Setting							
	1	2	3	4	5	6	7	8
78	OFF	ON	ON	ON	OFF	OFF	ON	OFF
79	ON	ON	ON	ON	OFF	OFF	ON	OFF
80	OFF	OFF	OFF	OFF	ON	OFF	ON	OFF
81	ON	OFF	OFF	OFF	ON	OFF	ON	OFF
82	OFF	ON	OFF	OFF	ON	OFF	ON	OFF
83	ON	ON	OFF	OFF	ON	OFF	ON	OFF
84	OFF	OFF	ON	OFF	ON	OFF	ON	OFF
85	ON	OFF	ON	OFF	ON	OFF	ON	OFF
86	OFF	ON	ON	OFF	ON	OFF	ON	OFF
87	ON	ON	ON	OFF	ON	OFF	ON	OFF
88	OFF	OFF	OFF	ON	ON	OFF	ON	OFF
89	ON	OFF	OFF	ON	ON	OFF	ON	OFF
90	OFF	ON	OFF	ON	ON	OFF	ON	OFF
91	ON	ON	OFF	ON	ON	OFF	ON	OFF
92	OFF	OFF	ON	ON	ON	OFF	ON	OFF
93	ON	OFF	ON	ON	ON	OFF	ON	OFF
94	OFF	ON	ON	ON	ON	OFF	ON	OFF
95	ON	ON	ON	ON	ON	OFF	ON	OFF
96	OFF	OFF	OFF	OFF	OFF	ON	ON	OFF
97	ON	OFF	OFF	OFF	OFF	ON	ON	OFF
98	OFF	ON	OFF	OFF	OFF	ON	ON	OFF
99	ON	ON	OFF	OFF	OFF	ON	ON	OFF
100	OFF	OFF	ON	OFF	OFF	ON	ON	OFF
101	ON	OFF	ON	OFF	OFF	ON	ON	OFF
102	OFF	ON	ON	OFF	OFF	ON	ON	OFF
103	ON	ON	ON	OFF	OFF	ON	ON	OFF
104	OFF	OFF	OFF	ON	OFF	ON	ON	OFF
105	ON	OFF	OFF	ON	OFF	ON	ON	OFF
106	OFF	ON	OFF	ON	OFF	ON	ON	OFF
107	ON	ON	OFF	ON	OFF	ON	ON	OFF
108	OFF	OFF	ON	ON	OFF	ON	ON	OFF
109	ON	OFF	ON	ON	OFF	ON	ON	OFF
110	OFF	ON	ON	ON	OFF	ON	ON	OFF
111	ON	ON	ON	ON	OFF	ON	ON	OFF
112	OFF	OFF	OFF	OFF	ON	ON	ON	OFF
113	ON	OFF	OFF	OFF	ON	ON	ON	OFF
114	OFF	ON	OFF	OFF	ON	ON	ON	OFF
115	ON	ON	OFF	OFF	ON	ON	ON	OFF
116	OFF	OFF	ON	OFF	ON	ON	ON	OFF
117	ON	OFF	ON	OFF	ON	ON	ON	OFF

Table A. Receiver Address Settings (Continued)

Receiver Address	Switch Setting							
	1	2	3	4	5	6	7	8
118	OFF	ON	ON	OFF	ON	ON	ON	OFF
119	ON	ON	ON	OFF	ON	ON	ON	OFF
120	OFF	OFF	OFF	ON	ON	ON	ON	OFF
121	ON	OFF	OFF	ON	ON	ON	ON	OFF
122	OFF	ON	OFF	ON	ON	ON	ON	OFF
123	ON	ON	OFF	ON	ON	ON	ON	OFF
124	OFF	OFF	ON	ON	ON	ON	ON	OFF
125	ON	OFF	ON	ON	ON	ON	ON	OFF
126	OFF	ON	ON	ON	ON	ON	ON	OFF
127	ON	ON	ON	ON	ON	ON	ON	OFF
128	OFF	OFF	OFF	OFF	OFF	OFF	OFF	ON
129	ON	OFF	OFF	OFF	OFF	OFF	OFF	ON
130	OFF	ON	OFF	OFF	OFF	OFF	OFF	ON
131	ON	ON	OFF	OFF	OFF	OFF	OFF	ON
132	OFF	OFF	ON	OFF	OFF	OFF	OFF	ON
133	ON	OFF	ON	OFF	OFF	OFF	OFF	ON
134	OFF	ON	ON	OFF	OFF	OFF	OFF	ON
135	ON	ON	ON	OFF	OFF	OFF	OFF	ON
136	OFF	OFF	OFF	ON	OFF	OFF	OFF	ON
137	ON	OFF	OFF	ON	OFF	OFF	OFF	ON
138	OFF	ON	OFF	ON	OFF	OFF	OFF	ON
139	ON	ON	OFF	ON	OFF	OFF	OFF	ON
140	OFF	OFF	ON	ON	OFF	OFF	OFF	ON
141	ON	OFF	ON	ON	OFF	OFF	OFF	ON
142	OFF	ON	ON	ON	OFF	OFF	OFF	ON
143	ON	ON	ON	ON	OFF	OFF	OFF	ON
144	OFF	OFF	OFF	OFF	ON	OFF	OFF	ON
145	ON	OFF	OFF	OFF	ON	OFF	OFF	ON
146	OFF	ON	OFF	OFF	ON	OFF	OFF	ON
147	ON	ON	OFF	OFF	ON	OFF	OFF	ON
148	OFF	OFF	ON	OFF	ON	OFF	OFF	ON
149	ON	OFF	ON	OFF	ON	OFF	OFF	ON
150	OFF	ON	ON	OFF	ON	OFF	OFF	ON
151	ON	ON	ON	OFF	ON	OFF	OFF	ON
152	OFF	OFF	OFF	ON	ON	OFF	OFF	ON
153	ON	OFF	OFF	ON	ON	OFF	OFF	ON
154	OFF	ON	OFF	ON	ON	OFF	OFF	ON
155	ON	ON	OFF	ON	ON	OFF	OFF	ON
156	OFF	OFF	ON	ON	ON	OFF	OFF	ON
157	ON	OFF	ON	ON	ON	OFF	OFF	ON

Table A. Receiver Address Settings (Continued)

Receiver Address	Switch Setting							
	1	2	3	4	5	6	7	8
158	OFF	ON	ON	ON	ON	OFF	OFF	ON
159	ON	ON	ON	ON	ON	OFF	OFF	ON
160	OFF	OFF	OFF	OFF	OFF	ON	OFF	ON
161	ON	OFF	OFF	OFF	OFF	ON	OFF	ON
162	OFF	ON	OFF	OFF	OFF	ON	OFF	ON
163	ON	ON	OFF	OFF	OFF	ON	OFF	ON
164	OFF	OFF	ON	OFF	OFF	ON	OFF	ON
165	ON	OFF	ON	OFF	OFF	ON	OFF	ON
166	OFF	ON	ON	OFF	OFF	ON	OFF	ON
167	ON	ON	ON	OFF	OFF	ON	OFF	ON
168	OFF	OFF	OFF	ON	OFF	ON	OFF	ON
169	ON	OFF	OFF	ON	OFF	ON	OFF	ON
170	OFF	ON	OFF	ON	OFF	ON	OFF	ON
171	ON	ON	OFF	ON	OFF	ON	OFF	ON
172	OFF	OFF	ON	ON	OFF	ON	OFF	ON
173	ON	OFF	ON	ON	OFF	ON	OFF	ON
174	OFF	ON	ON	ON	OFF	ON	OFF	ON
175	ON	ON	ON	ON	OFF	ON	OFF	ON
176	OFF	OFF	OFF	OFF	ON	ON	OFF	ON
177	ON	OFF	OFF	OFF	ON	ON	OFF	ON
178	OFF	ON	OFF	OFF	ON	ON	OFF	ON
179	ON	ON	OFF	OFF	ON	ON	OFF	ON
180	OFF	OFF	ON	OFF	ON	ON	OFF	ON
181	ON	OFF	ON	OFF	ON	ON	OFF	ON
182	OFF	ON	ON	OFF	ON	ON	OFF	ON
183	ON	ON	ON	OFF	ON	ON	OFF	ON
184	OFF	OFF	OFF	ON	ON	ON	OFF	ON
185	ON	OFF	OFF	ON	ON	ON	OFF	ON
186	OFF	ON	OFF	ON	ON	ON	OFF	ON
187	ON	ON	OFF	ON	ON	ON	OFF	ON
188	OFF	OFF	ON	ON	ON	ON	OFF	ON
189	ON	OFF	ON	ON	ON	ON	OFF	ON
190	OFF	ON	ON	ON	ON	ON	OFF	ON
191	ON	ON	ON	ON	ON	ON	OFF	ON
192	OFF	OFF	OFF	OFF	OFF	OFF	ON	ON
193	ON	OFF	OFF	OFF	OFF	OFF	ON	ON
194	OFF	ON	OFF	OFF	OFF	OFF	ON	ON
195	ON	ON	OFF	OFF	OFF	OFF	ON	ON
196	OFF	OFF	ON	OFF	OFF	OFF	ON	ON
197	ON	OFF	ON	OFF	OFF	OFF	ON	ON

Table A. Receiver Address Settings (Continued)

Receiver Address	Switch Setting							
	1	2	3	4	5	6	7	8
198	OFF	ON	ON	OFF	OFF	OFF	ON	ON
199	ON	ON	ON	OFF	OFF	OFF	ON	ON
200	OFF	OFF	OFF	ON	OFF	OFF	ON	ON
201	ON	OFF	OFF	ON	OFF	OFF	ON	ON
202	OFF	ON	OFF	ON	OFF	OFF	ON	ON
203	ON	ON	OFF	ON	OFF	OFF	ON	ON
204	OFF	OFF	ON	ON	OFF	OFF	ON	ON
205	ON	OFF	ON	ON	OFF	OFF	ON	ON
206	OFF	ON	ON	ON	OFF	OFF	ON	ON
207	ON	ON	ON	ON	OFF	OFF	ON	ON
208	OFF	OFF	OFF	OFF	ON	OFF	ON	ON
209	ON	OFF	OFF	OFF	ON	OFF	ON	ON
210	OFF	ON	OFF	OFF	ON	OFF	ON	ON
211	ON	ON	OFF	OFF	ON	OFF	ON	ON
212	OFF	OFF	ON	OFF	ON	OFF	ON	ON
213	ON	OFF	ON	OFF	ON	OFF	ON	ON
214	OFF	ON	ON	OFF	ON	OFF	ON	ON
215	ON	ON	ON	OFF	ON	OFF	ON	ON
216	OFF	OFF	OFF	ON	ON	OFF	ON	ON
217	ON	OFF	OFF	ON	ON	OFF	ON	ON
218	OFF	ON	OFF	ON	ON	OFF	ON	ON
219	ON	ON	OFF	ON	ON	OFF	ON	ON
220	OFF	OFF	ON	ON	ON	OFF	ON	ON
221	ON	OFF	ON	ON	ON	OFF	ON	ON
222	OFF	ON	ON	ON	ON	OFF	ON	ON
223	ON	ON	ON	ON	ON	OFF	ON	ON
224	OFF	OFF	OFF	OFF	OFF	ON	ON	ON
225	ON	OFF	OFF	OFF	OFF	ON	ON	ON
226	OFF	ON	OFF	OFF	OFF	ON	ON	ON
227	ON	ON	OFF	OFF	OFF	ON	ON	ON
228	OFF	OFF	ON	OFF	OFF	ON	ON	ON
229	ON	OFF	ON	OFF	OFF	ON	ON	ON
230	OFF	ON	ON	OFF	OFF	ON	ON	ON
231	ON	ON	ON	OFF	OFF	ON	ON	ON
232	OFF	OFF	OFF	ON	OFF	ON	ON	ON
233	ON	OFF	OFF	ON	OFF	ON	ON	ON
234	OFF	ON	OFF	ON	OFF	ON	ON	ON
235	ON	ON	OFF	ON	OFF	ON	ON	ON
236	OFF	OFF	ON	ON	OFF	ON	ON	ON
237	ON	OFF	ON	ON	OFF	ON	ON	ON

Table A. Receiver Address Settings (Continued)

Receiver Address	Switch Setting							
	1	2	3	4	5	6	7	8
238	OFF	ON	ON	ON	OFF	ON	ON	ON
239	ON	ON	ON	ON	OFF	ON	ON	ON
240	OFF	OFF	OFF	OFF	ON	ON	ON	ON
241	ON	OFF	OFF	OFF	ON	ON	ON	ON
242	OFF	ON	OFF	OFF	ON	ON	ON	ON
243	ON	ON	OFF	OFF	ON	ON	ON	ON
244	OFF	OFF	ON	OFF	ON	ON	ON	ON
245	ON	OFF	ON	OFF	ON	ON	ON	ON
246	OFF	ON	ON	OFF	ON	ON	ON	ON
247	ON	ON	ON	OFF	ON	ON	ON	ON
248	OFF	OFF	OFF	ON	ON	ON	ON	ON
249	ON	OFF	OFF	ON	ON	ON	ON	ON
250	OFF	ON	OFF	ON	ON	ON	ON	ON
251	ON	ON	OFF	ON	ON	ON	ON	ON
252	OFF	OFF	ON	ON	ON	ON	ON	ON
253	ON	OFF	ON	ON	ON	ON	ON	ON
254	OFF	ON	ON	ON	ON	ON	ON	ON
255	ON	ON	ON	ON	ON	ON	ON	ON

REVISION HISTORY

Manual #	Date	Comments
C656M	9/00	Original version.
C656M-A	12/02	Updated manual to new format. Added instructions for Spectra III SE and Spectra III.
C656M-B	5/03	Added instructions for zone programming.
C656M-C	3/05	Added ExSite system installation instructions. Corrected wiring table for controller.
C656M-D	3/06	Added Spectra Mini dome. Removed Spectra II. Updated graphics and procedures.
C656M-E	4/07	Added Green label, cross references, and Spectra IV. Added <i>Important Safety Instructions</i> .

PRODUCT WARRANTY AND RETURN INFORMATION

WARRANTY

Pelco will repair or replace, without charge, any merchandise proved defective in material or workmanship **for a period of one year** after the date of shipment.

Exceptions to this warranty are as noted below:

- Five years on fiber optic products and TW3000 Series unshielded twisted pair transmission products.
- Three years on Spectra® IV products.
- Three years on Genex® Series products (multiplexers, server, and keyboard).
- Three years on Camclosure® and fixed camera models, except the CC3701H-2, CC3701H-2X, CC3751H-2, CC3651H-2X, MC3651H-2, and MC3651H-2X camera models, which have a five-year warranty.
- Three years on PMCL200/300/400 Series LCD monitors.
- Two years on standard motorized or fixed focal length lenses.
- Two years on Legacy®, CM6700/CM6800/CM9700 Series matrix, and DF5/DF8 Series fixed dome products.
- Two years on Spectra III™, Esprit®, ExSite®, and PS20 scanners, including when used in continuous motion applications.
- Two years on Esprit and WW5700 Series window wiper (excluding wiper blades).
- Two years (except lamp and color wheel) on Digital Light Processing (DLP®) displays. The lamp and color wheel will be covered for a period of 90 days. The air filter is not covered under warranty.
- Eighteen months on DX Series digital video recorders, NVR300 Series network video recorders, and Endura™ Series distributed network-based video products.
- One year (except video heads) on video cassette recorders (VCRs). Video heads will be covered for a period of six months.
- Six months on all pan and tilts, scanners or preset lenses used in continuous motion applications (that is, preset scan, tour and auto scan modes).

Pelco will warrant all replacement parts and repairs for 90 days from the date of Pelco shipment. All goods requiring warranty repair shall be sent freight prepaid to Pelco, Clovis, California. Repairs made necessary by reason of misuse, alteration, normal wear, or accident are not covered under this warranty.

Pelco assumes no risk and shall be subject to no liability for damages or loss resulting from the specific use or application made of the Products. Pelco's liability for any claim, whether based on breach of contract, negligence, infringement of any rights of any party or product liability, relating to the Products shall not exceed the price paid by the Dealer to Pelco for such Products. In no event will Pelco be liable for any special, incidental or consequential damages (including loss of use, loss of profit and claims of third parties) however caused, whether by the negligence of Pelco or otherwise.

The above warranty provides the Dealer with specific legal rights. The Dealer may also have additional rights, which are subject to variation from state to state.

If a warranty repair is required, the Dealer must contact Pelco at (800) 289-9100 or (559) 292-1981 to obtain a Repair Authorization number (RA), and provide the following information:

1. Model and serial number
2. Date of shipment, P.O. number, Sales Order number, or Pelco invoice number
3. Details of the defect or problem

If there is a dispute regarding the warranty of a product which does not fall under the warranty conditions stated above, please include a written explanation with the product when returned.

Method of return shipment shall be the same or equal to the method by which the item was received by Pelco.

RETURNS

In order to expedite parts returned to the factory for repair or credit, please call the factory at (800) 289-9100 or (559) 292-1981 to obtain an authorization number (CA number if returned for credit, and RA number if returned for repair).

All merchandise returned for credit may be subject to a 20% restocking and refurbishing charge.

Goods returned for repair or credit should be clearly identified with the assigned CA or RA number and freight should be prepaid. Ship to the appropriate address below.

If you are located within the continental U.S., Alaska, Hawaii or Puerto Rico, send goods to:

Service Department
Pelco
3500 Pelco Way
Clovis, CA 93612-5699

If you are located outside the continental U.S., Alaska, Hawaii or Puerto Rico and are instructed to return goods to the USA, you may do one of the following:

If the goods are to be sent by a COURIER SERVICE, send the goods to:

Pelco
3500 Pelco Way
Clovis, CA 93612-5699 USA

If the goods are to be sent by a FREIGHT FORWARDER, send the goods to:

Pelco c/o Expeditors
473 Eccles Avenue
South San Francisco, CA 94080 USA
Phone: 650-737-1700
Fax: 650-737-0933

Pelco, the Pelco logo, Camclosure, Esprit, Genex, Legacy, and Spectra are registered trademarks of Pelco.

Spectra III, Endura, and ExSite are trademarks of Pelco.

DLP is a registered trademark of Texas Instruments, Inc.

Vicon and Matrix 44 are registered trademarks of Vicon Industries, Inc.

V1422, VPS1344, Matrix 66, and NOVA are trademarks of Vicon Industries, Inc.

©Copyright 2007, Pelco. All rights reserved.



Worldwide Headquarters
3500 Pelco Way
Clovis, California 93612 USA

USA & Canada
Tel: 800/289-9100
Fax: 800/289-9150
International
Tel: 1-559/292-1981
Fax: 1-559/348-1120

www.pelco.com

ISO9001

Australia | Canada | Finland | France | Germany | Italy | Macau | The Netherlands | Russia | Singapore
South Africa | Spain | Sweden | United Arab Emirates | United Kingdom | United States

Free Manuals Download Website

<http://myh66.com>

<http://usermanuals.us>

<http://www.somanuals.com>

<http://www.4manuals.cc>

<http://www.manual-lib.com>

<http://www.404manual.com>

<http://www.luxmanual.com>

<http://aubethermostatmanual.com>

Golf course search by state

<http://golfingnear.com>

Email search by domain

<http://emailbydomain.com>

Auto manuals search

<http://auto.somanuals.com>

TV manuals search

<http://tv.somanuals.com>