



C1638M (4/05) EPSPWR-300 Power Supply Replacement

The EPSPWR-300 power supply can be used to replace a failed power supply in the EPS5000-300. You can easily replace either of the two power supplies in the EPS5000-300 in case of failure. You will know if there is a problem with a power supply because the blue Pelco badge on the front panel will turn off. Before replacing a power supply, check the fuse. It can be replaced easily with the supplied spare. If the fuse is not the problem, then follow these steps and refer to Figure 2 to replace the power supply.

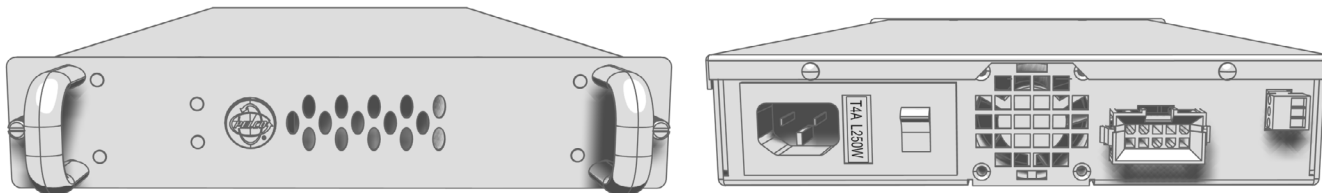


Figure 1. EPSPWR-300 Power Supply

1. Disconnect the over-molded cable and the power cord from the failed power supply.
2. Unscrew both thumbscrews of the failed power supply.
3. Remove the power supply.
4. Insert the new power supply.
5. Secure the power supply by tightening both thumbscrews.
6. Connect the over-molded cable from the power supply to the RK5000PS-5U.
7. Plug in the AC power cord.
8. Turn on the power switch.

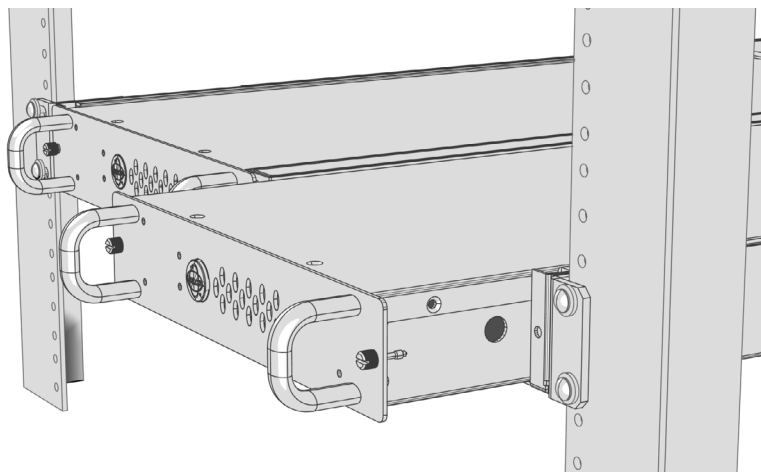


Figure 2. Power Supply Replacement



This equipment contains electrical or electronic components that must be recycled properly to comply with Directive 2002/96/EC of the European Union regarding the disposal of waste electrical and electronic equipment (WEEE). Contact your local dealer for procedures for recycling this equipment.

Worldwide Headquarters • 3500 Pelco Way • Clovis, California 93612 USA • www.pelco.com
USA & Canada • Tel: 800/289-9100 • Fax: 800/289-9150
International • Tel: 1-559/292-1981 • Fax: 1-559/348-1120

Free Manuals Download Website

<http://myh66.com>

<http://usermanuals.us>

<http://www.somanuals.com>

<http://www.4manuals.cc>

<http://www.manual-lib.com>

<http://www.404manual.com>

<http://www.luxmanual.com>

<http://aubethermostatmanual.com>

Golf course search by state

<http://golfingnear.com>

Email search by domain

<http://emailbydomain.com>

Auto manuals search

<http://auto.somanuals.com>

TV manuals search

<http://tv.somanuals.com>