

**CCQ1400A-4
Color CCD Camera
with 4 mm Lens**

**Installation/
Operation Manual**

C1969M-A (1/02)

Pelco • 3500 Pelco Way • Clovis, CA 93612-5699 USA • www.pelco.com
In North America and Canada: Tel (800) 289-9100 or FAX (800) 289-9150
International Customers: Tel +1 (559) 292-1981 or FAX +1 (559) 348-1120

IMPORTANT SAFEGUARDS AND WARNINGS

Prior to installation and use of this product, the following WARNINGS should be observed.

1. Installation and servicing should only be done by qualified service personnel and conform to all local codes.
2. Unless the unit is specifically marked as a NEMA Type 3, 3R, 3S, 4, 4X, 6 or 6P enclosure, it is designed for indoor use only and it must not be installed where exposed to rain and moisture.
3. Only use replacement parts recommended by Pelco.
4. When used with the CCQ1400A-4 cameras with audio, the Pelco PCMQ14A Observation System is capable of being used as a two-way intercom system. Applications other than the intended use as a two-way intercom communications system **may violate Federal wiretapping laws**. No systems may be used to monitor audio without the express knowledge of the parties being monitored. A warning notice has been included as a part of this manual. Photocopying of this notice is permitted and encouraged. Signs **must** be posted and plainly visible at all entrances to public and private premises utilizing the PCMQ14A/CCQ1400A-4 intercom system. Pelco assumes no liability for equipment being used for purposes other than the intended use as a two-way intercom system.
5. Do not attempt to disassemble the unit.
6. Do not remove screws or cover.
7. There are no user-serviceable parts inside.
8. Do not install any of the system parts where they will be exposed to water, excessive dust or excessive vibration.

The product and/or manual may bear the following marks:



This symbol indicates that dangerous voltage constituting a risk of electric shock is present within this unit.



This symbol indicates that there are important operating and maintenance instructions in the literature accompanying this unit.



Please thoroughly familiarize yourself with the information in this manual prior to installation and operation.

DESCRIPTION

OVERVIEW

The CCQ1400A-4 color CCD camera with 4 mm lens is designed for use with the PMCQ14A 14-inch color quad monitor.

A mini-DIN 6 connector in the back of the camera matches the connector on the back of the monitor. Power, alarm, audio and video contacts are all provided at this connector.

MODELS

CCQ1400A-KIT Camera assembly with audio, consisting of one CCQ1400A-4 camera, one WMQ8 bracket and one CCQCABLE-60 cable.

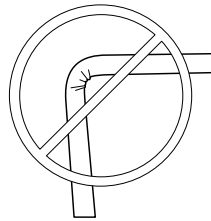
CCQ1400A-4 1/4-inch color CCD camera with 4 mm lens, 12 VDC, with a microphone and speaker

INSTALLATION

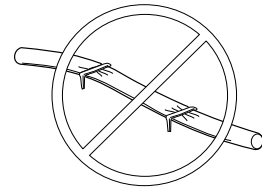
INSTALLATION TIPS

- Do not locate components or cable where they will get wet.
- Lay cable loosely in attic or under floor.
- Do not tightly bundle with other wires.
- Avoid sharp bends in the cable.
- Do not directly staple the cable to any surface.
- Try to locate cable away from power lines and fluorescent fixtures.
- If a power line or fixture is in the way, take the cable across it at right angles.
- Do not run cables parallel to fixtures or power lines.
- The cable is 60 feet long. Do not try to shorten it.
- Extra cable should be spread out serpentine style.
- Avoid coiling up extra cable.

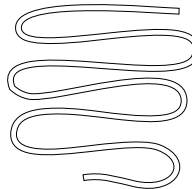
NO SHARP BENDS



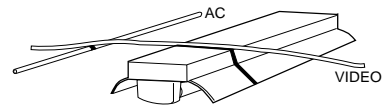
NO STAPLES



STORE EXTRA CABLE
SERPENTINE FASHION



CROSS AC POWER LINES AND FLORESCENT
FIXTURES AT RIGHT ANGLES



UNPACKING

The camera is shipped as a camera only or as a kit. Unpack and inspect the contents carefully.

Camera Kit

- 1 Camera
- 1 Camera bracket
- 1 Camera bracket base
- 1 Cable

Camera Only

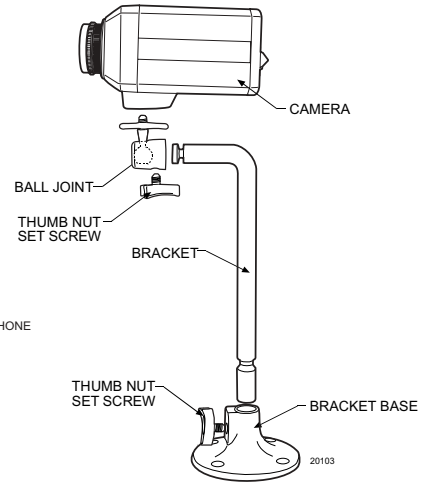
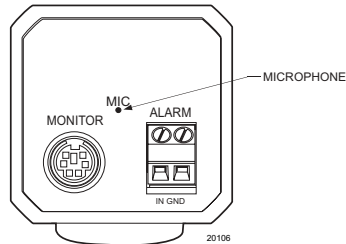
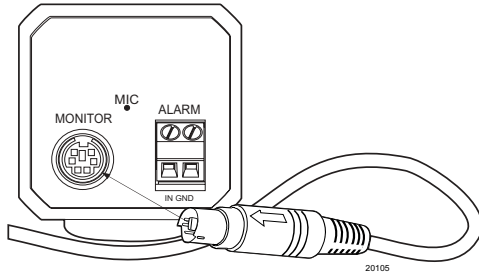
- 1 Camera

INSTALLING THE CAMERA

1. Assemble and mount the camera and bracket.

NOTE: The screws provided are intended for wood. If it is necessary to substitute screws for masonry or hollow wall mounting, be sure to use #6 or 4 mm hardware.

2. Run cables. Refer to *Installation Tips*.



3. Connect cable to camera. Insert plug with the arrow facing up.

4. Connect alarm contacts, if used.

5. Connect cable to one of the CH IN jacks on the back of the monitor (refer to Figure 1).

6. Set impedance switch to the 75-ohm position, unless another video device is connected to the IN/OUT jacks (refer to Figure 1).

7. Connect AC power to monitor (refer to Figure 1).

8. Turn on MAIN switch on the back of the monitor (refer to Figure 1). Then press the POWER button on the front of the monitor.

9. Test according to the checkout procedure in Table A.

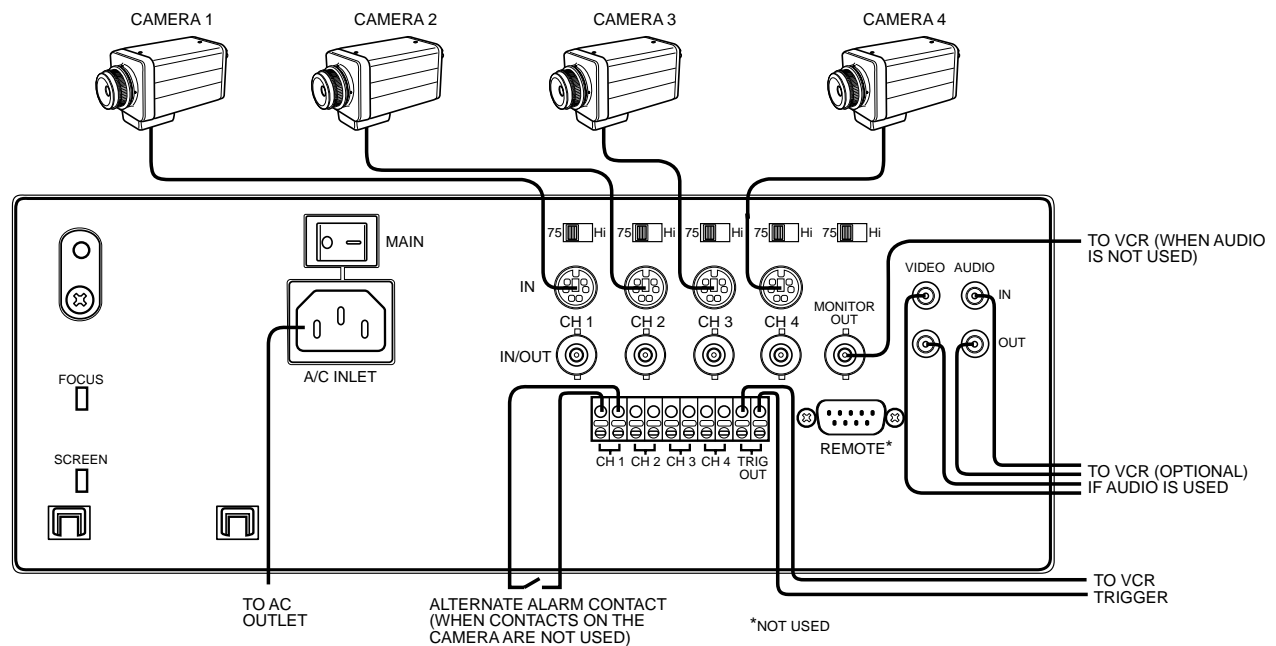
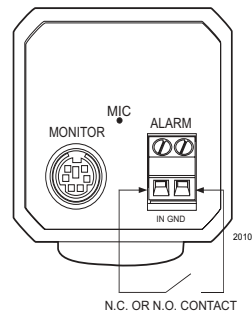


Figure 1. Connections at the Back of the Monitor

CHECKOUT

Table A. Checkout Procedure When Adding a Camera to the System

This procedure assumes that power is on and that the full monitor checkout has been performed.

STEP	PROCEDURE	RESULTS
1	Calibrate camera.	The CCQ1400A-4 camera is factory set for back focus. No further calibration is needed.
2	At the monitor, press the CH button for the channel the new camera is using.	See camera image full screen.
3	Press the ZOOM/FREEZE button. Use arrow keys to move the highlighted area. Press the QUAD/MENU button. Press the QUAD/MENU or the ZOOM/FREEZE button.	Zoom area is highlighted in the center of the screen. The highlighted area moves to different parts of the screen. The image zooms to show the selected area full screen. See the selected channel image full screen (normal).
4	Put an object in the area being observed by the camera. While holding the RESET/ALT button, press the ZOOM/FREEZE button. Remove the object from the observed area. Press the ALT + FREEZE button.	See the object on the screen. Any movement will be seen. See the object frozen on the screen. No movement will be seen. The object remains on the screen. The object disappears and movement is once again seen.
5	Perform this step if the camera is equipped for the audio function. Have a person stand near the camera and speak. Increase the volume control on the monitor, if necessary. Press and hold the AUDIO/TALK button on the monitor. Talk in a normal voice. Release the AUDIO/TALK button.	Hear the person at the camera speaking. The person at the camera should hear you. Hear the person or other sounds near the camera.
6	Perform this step if the alarm contacts are connected to a detection switch. Momentarily activate the alarm contacts. Press the RESET button on the front of the monitor.	ALM flashes at the top of the monitor screen. ALM goes away.
7	Checkout is complete.	

TECHNICAL SPECIFICATIONS

ELECTRICAL

Input Voltage: 12 VDC, +/-2 VDC

Power Consumption: 2 watts

Signal Format: NTSC

Scanning System: 2:1 interlace

Sync System: Internal

Horizontal Resolution: 330 TV lines (center)

Image Size Area: 4.57 mm (H) x 3.90 mm (V)

Picture Elements: 512 (H) x 492 (V)

Electronic Iris: 1/60 to 1/100,000 second

Video Output: 1.0 Vp-p, +/-10%, 75 ohms

Auto White Bal.: Electronic auto tracking

Minimum Illumination: 0.9 lux at 30 IRE, f1.2

GENERAL

Lens: C/CS Mount, F2.0, 4 mm lens

Dimensions: 2.00 (W) x 4.00 (L) x 2.38 (H) inches (5.08 x 10.16 x 6.05 cm)

Weight: 0.5 lb (0.22 kg)

ENVIRONMENTAL

Operating Temp.: 14° to 131°F (-10° to 55°C)

Storage Temp.: 4° to 158°F (-20° to 70°C)

Humidity 35% to 80%, non-condensing

(Design and product specifications subject to change without notice.)

THE FOLLOWING PAGE MAY BE COPIED.

Notice:

**Audio Monitoring
on these Premises**

REGULATORY NOTICES

Note: This equipment has been tested and found to comply with the limits of a Class A digital device, pursuant to part 15 of the FCC rules. These limits are designed to provide reasonable protection against harmful interference when the equipment is operated in a commercial environment. This equipment generates, uses, and can radiate radio frequency energy and, if not installed and used in accordance with the instruction manual, may cause harmful interference to radio communications. Operation of this equipment in a residential area is likely to cause harmful interference in which case the user will be required to correct the interference at his own expense.

PRODUCT WARRANTY AND RETURN INFORMATION

WARRANTY

Pelco will repair or replace, without charge, any merchandise proved defective in material or workmanship **for a period of one year** after the date of shipment.

Exceptions to this warranty are as noted below:

- Five years on FT/FR8000 Series fiber optic products.
- Three years on Genex® Series products (multiplexers, server, and keyboard).
- Three years on Camclosure® and fixed camera models, except the CC3701H-2, CC3701H-2X, CC3751H-2, CC3651H-2X, MC3651H-2, and MC3651H-2X camera models, which have a five-year warranty.
- Two years on standard motorized or fixed focal length lenses.
- Two years on Legacy®, CM6700/CM6800/CM9700 Series matrix, and DF5/DF8 Series fixed dome products.
- Two years on Spectra®, Esprit®, ExSite™, and PS20 scanners, including when used in continuous motion applications.
- Two years on Esprit® and WW5700 Series window wiper (excluding wiper blades).
- Eighteen months on DX Series digital video recorders, NVR300 Series network video recorders, and Endura™ Series distributed network-based video products.
- One year (except video heads) on video cassette recorders (VCRs). Video heads will be covered for a period of six months.
- Six months on all pan and tilts, scanners or preset lenses used in continuous motion applications (that is, preset scan, tour and auto scan modes).

Pelco will warrant all replacement parts and repairs for 90 days from the date of Pelco shipment. All goods requiring warranty repair shall be sent freight prepaid to Pelco, Clovis, California. Repairs made necessary by reason of misuse, alteration, normal wear, or accident are not covered under this warranty.

Pelco assumes no risk and shall be subject to no liability for damages or loss resulting from the specific use or application made of the Products. Pelco's liability for any claim, whether based on breach of contract, negligence, infringement of any rights of any party or product liability, relating to the Products shall not exceed the price paid by the Dealer to Pelco for such Products. In no event will Pelco be liable for any special, incidental or consequential damages (including loss of use, loss of profit and claims of third parties) however caused, whether by the negligence of Pelco or otherwise.

The above warranty provides the Dealer with specific legal rights. The Dealer may also have additional rights, which are subject to variation from state to state.

If a warranty repair is required, the Dealer must contact Pelco at (800) 289-9100 or (559) 292-1981 to obtain a Repair Authorization number (RA), and provide the following information:

1. Model and serial number
2. Date of shipment, P.O. number, Sales Order number, or Pelco invoice number
3. Details of the defect or problem

If there is a dispute regarding the warranty of a product which does not fall under the warranty conditions stated above, please include a written explanation with the product when returned.

Method of return shipment shall be the same or equal to the method by which the item was received by Pelco.

RETURNS

In order to expedite parts returned to the factory for repair or credit, please call the factory at (800) 289-9100 or (559) 292-1981 to obtain an authorization number (CA number if returned for credit, and RA number if returned for repair).

All merchandise returned for credit may be subject to a 20% restocking and refurbishing charge.

Goods returned for repair or credit should be clearly identified with the assigned CA or RA number and freight should be prepaid. Ship to the appropriate address below.

If you are located within the continental U.S., Alaska, Hawaii or Puerto Rico, send goods to:

Service Department
Pelco
3500 Pelco Way
Clovis, CA 93612-5699

If you are located outside the continental U.S., Alaska, Hawaii or Puerto Rico and are instructed to return goods to the USA, you may do one of the following:

If the goods are to be sent by a COURIER SERVICE, send the goods to:

Pelco
3500 Pelco Way
Clovis, CA 93612-5699 USA

If the goods are to be sent by a FREIGHT FORWARDER, send the goods to:

Pelco c/o Expeditors
473 Eccles Avenue
South San Francisco, CA 94080 USA
Phone: 650-737-1700
Fax: 650-737-0933

REVISION HISTORY

Manual #	Date	Comments
C1969M	2/00	Original version.
C1969M-A	1/02	Revised camera drawings because of redesign. Added specification for minimum illumination. Removed models without audio.

Pelco, the Pelco logo, Camclosure, Esprit, Genex, Legacy, and Spectra are registered trademarks of Pelco. Endura and ExSite are trademarks of Pelco.

©Copyright 2002, Pelco.
All rights reserved.

Free Manuals Download Website

<http://myh66.com>

<http://usermanuals.us>

<http://www.somanuals.com>

<http://www.4manuals.cc>

<http://www.manual-lib.com>

<http://www.404manual.com>

<http://www.luxmanual.com>

<http://aubethermostatmanual.com>

Golf course search by state

<http://golfingnear.com>

Email search by domain

<http://emailbydomain.com>

Auto manuals search

<http://auto.somanuals.com>

TV manuals search

<http://tv.somanuals.com>