

**DD14 Series
Intercept®
Dome Drive**

**Installation/
Operation Manual**

C458M-B (1/98)

Pelco • 3500 Pelco Way, Clovis • CA 93612-5699 USA • www.pelco.com
In North America and Canada: Tel (800) 289-9100 or FAX (800) 289-9150
International Customers: Tel (1-559) 292-1981 or FAX (1-559) 348-1120

CONTENTS

Section	Page
1.0 GENERAL	5
1.1 IMPORTANT SAFEGUARDS AND WARNINGS	5
1.2 UNPACKING INSTRUCTIONS	6
2.0 DESCRIPTION	7
2.1 MODELS	7
3.0 INSTALLATION	8
3.1 DOME DRIVE INSTALLATION	8
3.2 LENS WIRING	8
3.3 CAMERA/LENS INSTALLATION	11
3.4 ADJUSTMENTS	11
4.0 MAINTENANCE	13
4.1 DOME DRIVE REMOVAL	13
5.0 WIRING DIAGRAMS	14
6.0 EXPLODED ASSEMBLY DIAGRAMS	20
7.0 SPECIFICATIONS	25
8.0 WARRANTY AND RETURN INFORMATION	28

LIST OF ILLUSTRATIONS

Figure		Page
1	Back Box and Dome Drive Components	9
2	Camera/Lens Wiring Diagram	10
3	Attaching Camera/Lens to Tilt Table	11
4	Pan Limit Stops (Only Two Shown)	12
5	24 VAC Back Box Wiring Diagram (For Dome Drives with Integral Receiver/Driver)	14
6	120 VAC Back Box Wiring Diagram (For Dome Drives with Integral Receiver/Driver)	15
7	230 VAC Back Box Wiring Diagram (For Dome Drives with Integral Receiver/Driver)	16
8	Wiring Diagram for Dome Drives with 355° Rotation	17
9	Wiring Diagram for Dome Drives with 360° Rotation	18
10	Wiring Diagram for Hard-Wire Systems	19
11	DD14 Series Dome Drive Exploded Assembly Mechanical Parts Diagram	20
12	DD14 Series Dome Drive Exploded Assembly Hardware Diagram	23

LIST OF TABLES

Table		Page
A	DD14 Series Dome Drive Exploded Assembly Mechanical Part List (Figure 11)	21
B	DD14 Series Dome Drive Exploded Assembly Hardware Parts List (Figure 12)	24

REVISION HISTORY

Manual #	Date	Comments
C458M	9/94	Original version.
C458M-A	6/95	Manual revised to include Hardwire version wiring diagram, as well as new manual style and revision history.
	6/23/95	Addendum. Incorporated the addition of FUS2 2 A fuse to back box wiring diagrams as per ECO # 95-063.
	8/31/95	Revised Figure 14 to show wiring colors for pan limits.
	8/16/96	Added complete assembly numbers for domes in Section 8.1, Mechanical Parts List.
C458M-B	1/98	Changed manual to new format and manual pagination. Revised installation instructions. Reduced number of models.

(This page intentionally left blank.)

1.0 GENERAL

1.1 IMPORTANT SAFEGUARDS AND WARNINGS

Prior to installation and use of this product, the following WARNINGS should be observed.

1. Installation and servicing should only be done by Qualified Service Personnel and conform to all Local codes.
2. Unless the unit is specifically marked as a NEMA Type 3, 3R, 3S, 4, 4X, 6 or 6P enclosure, it is designed for Indoor use only and it must not be installed where exposed to rain and moisture.
3. Only use replacement parts recommended by Pelco.
4. After replacement/repair of this unit's electrical components, conduct a resistance measurement between line and exposed parts to verify the exposed parts have not been connected to line circuitry.

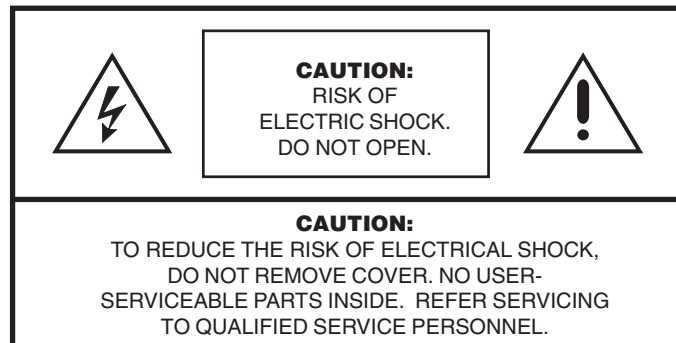
The product and/or manual may bear the following marks:



This symbol indicates that dangerous voltage constituting a risk of electric shock is present within this unit.



This symbol indicates that there are important operating and maintenance instructions in the literature accompanying this unit.



Please thoroughly familiarize yourself with the information in this manual prior to installation and operation.

1.2 UNPACKING INSTRUCTIONS

Unpack and inspect all parts carefully.

Be sure to save the shipping carton and any inserts. They are the safest material in which to make future shipments.

If an item appears to have been damaged in shipment, replace it properly in its carton and contact the factory at 1-800-289-9100 or 1-559-292-1981 for a replacement. (International customers fax 1-559-348-1120 for authorization and instructions.)

If an item needs to be returned to the factory for repair, consult the WARRANTY AND RETURN section of this manual for instructions.

The following items are supplied:

- 1 Dome drive with, if ordered, receiver/driver
- 1 Dome liner
- 1 Lens connector
- 1 1/4-20 x 1/2" bolt
- 1 1/4-20 x 3/4" bolt
- 2 1/4" flat washers
- 2 1/4" split lock washers
- 1 Installation/Operation Manual (C458M-B)

2.0 DESCRIPTION

The DD14 Series of dome drives is part of the IDS14 Intercept® Series of domes. The IDS14 Series is an integral system that includes a back box (BB14), dome drive (DD14), and dome receiver/driver (DRD14).

This manual covers the DD14 Series of dome drives. For installation and operation instructions for the back box, refer to manual C454M-C; for the dome receiver/driver, refer to 466M-E.

2.1 MODELS

DD14B1L	Dome drive with 355° pan rotation and fixed pan speed of 12° per second. Includes dome liner (dome is included with back box). (CE, UL)
DD14B1L-H	Same as DD14B1L except for use with hard-wire back box only. (CE)
DD14B2L	Same as DD14B1L except has fixed pan speed of 24° per second. (CE, UL)
DD14B2L-H	Same as DD14B2L except for use with hard-wire back box only. (CE)
DD14C1L	Dome drive with 360° pan rotation and fixed pan speed of 12° per second. Includes dome liner (dome is included with back box). (CE, UL)
DD14C1L-H	Same as DD14C1L except for use with hard-wire back box only. (CE)
DD14C2L	Same as DD14C1L except has fixed pan speed of 24° per second. (CE, UL)
DD14C2L-H	Same as DD14C2L except for use with hard-wire back box only. (CE, UL)
DD14C3L	Same as DD14C1L except has variable pan speed from 0-100° per second. (CE)
DD14D1L	Dome drive with 355° pan rotation, fixed pan speed of 12° per second, and preset positioning. Includes dome liner (dome is included with back box). (CE, UL)
DD14D2L	Same as DD14D1L except has fixed pan speed of 24° per second. (CE, UL)
DD14E2L	Dome drive with 360° pan rotation, fixed pan speed of 24° per second, and preset positioning. Includes dome liner (dome is included with back box). (CE, UL)
DD14E3L	Same as DD14E2L except has variable pan speed from 0-100° per second. (CE, UL)

3.0 INSTALLATION

Proceed with the installation of the dome drive after you have installed the back box.

If a camera/lens package has not been installed on your dome drive, you can install the camera/lens either before you install the dome drive in the back box or after you install the dome drive. If you want to install the camera/lens first, proceed to Sections 3.2, LENS WIRING, and 3.3, CAMERA/LENS INSTALLATION, then return to Section 3.1, DOME DRIVE INSTALLATION.

3.1 DOME DRIVE INSTALLATION

1. Refer to Figure 11 and remove the shipping stabilizer bracket (item 65).
2. If your dome drive has a integral receiver/driver installed, refer to the manual for the receiver/driver and set the jumpers and switches as required for your application.
3. Turn off the power to the back box.
4. Remove the hairpin clips from the two latches inside the back box (refer to Figure 1) and open the latches.
5. Insert the dome drive into the back box:
 - a. Refer to Figure 1 and line up the upper bracket on the dome drive so that:

The 25-pin connector on the dome drive will go into its mating connector on the back box.

The latch pins on the sides of the upper bracket will go into the latches in the back box.

The two guide pins on the back box will go into the bushings on the upper bracket of the dome drive.
 - b. Push the dome drive into place and close the latches.
 - c. Reinstall the hairpin clips in the latches to prevent the latches from opening.

Proceed to Sections 3.2, LENS WIRING, and 3.3, CAMERA/LENS INSTALLATION, if you have not installed your camera/lens. Otherwise proceed to Section 3.4, ADJUSTMENTS.

3.2 LENS WIRING

Make sure the lens has the correct connector to mate with the dome drive lens connector and is wired according to the pinout diagram in Figure 2.

If connectors are not compatible, use the mating connector provided with the dome drive and wire according to the pinout diagram in Figure 2.

Proceed to Section 3.3, CAMERA/LENS INSTALLATION.

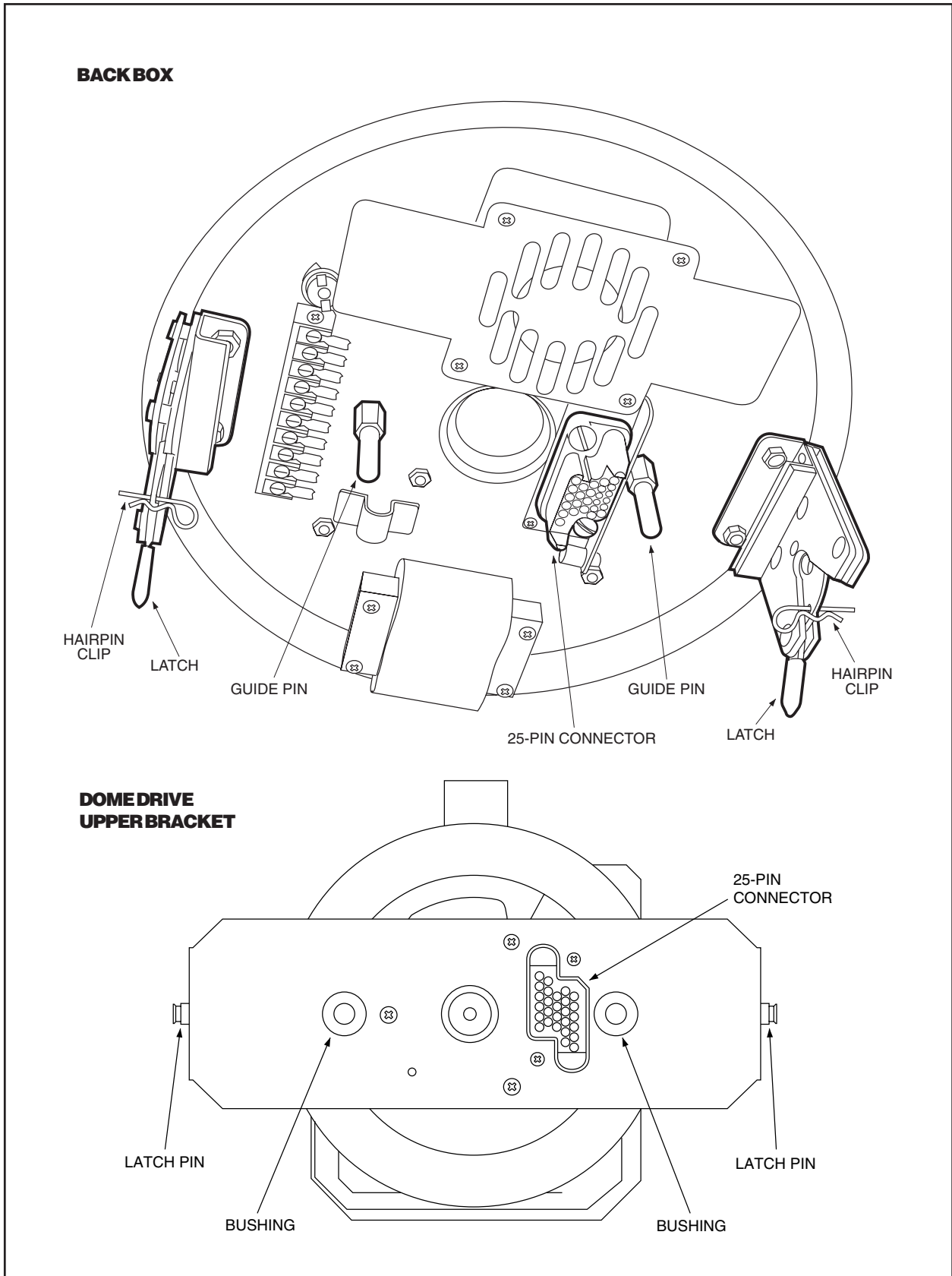


Figure 1. Back Box and Dome Drive Components

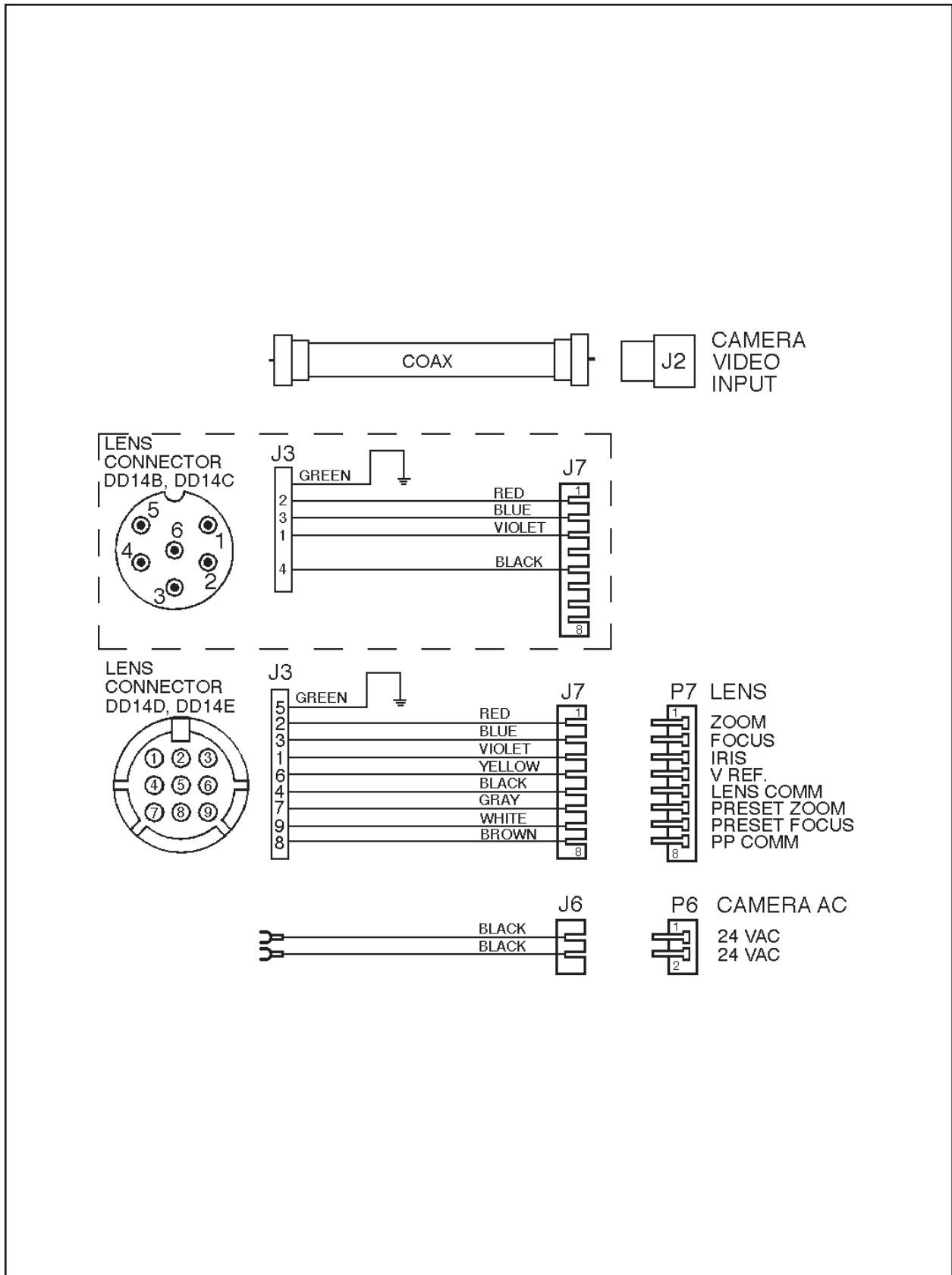


Figure 2. Camera/Lens Wiring Diagram

3.3 CAMERA/LENS INSTALLATION

Install the camera/lens you have selected for use with the IDS14 series dome as follows:

1. Loosen the 1/4-20 lens support fastener (item 1 in Figure 3) and slide lens support down.
2. Attach camera/lens to the tilt table with the 1/4-20 x 3/4" bolt, flat washer, and lock washer (items 2 in Figure 3) that are provided.

If the camera/lens can be balanced on the tilt table, the life of the dome drive will be extended.

3. Now slide the lens support up to the lens and, if applicable, fasten with the 1/4-20 x 1/2" bolt, flat washer, and lock washer (items 3 in Figure 3) that are provided.
4. Connect camera power spade lugs, coax video cable and lens connector, paying special attention to the routing of your cabling so as not to interfere with the camera/lens swing.

Proceed to Section 3.4, ADJUSTMENTS.

3.4 ADJUSTMENTS

1. Turn on the power. If the unit has an integral receiver/driver, it will begin to move in about 15 seconds and go through its start-up routine.
2. Refer to the manual for the camera/lens to set the switches on the camera as required for your application.

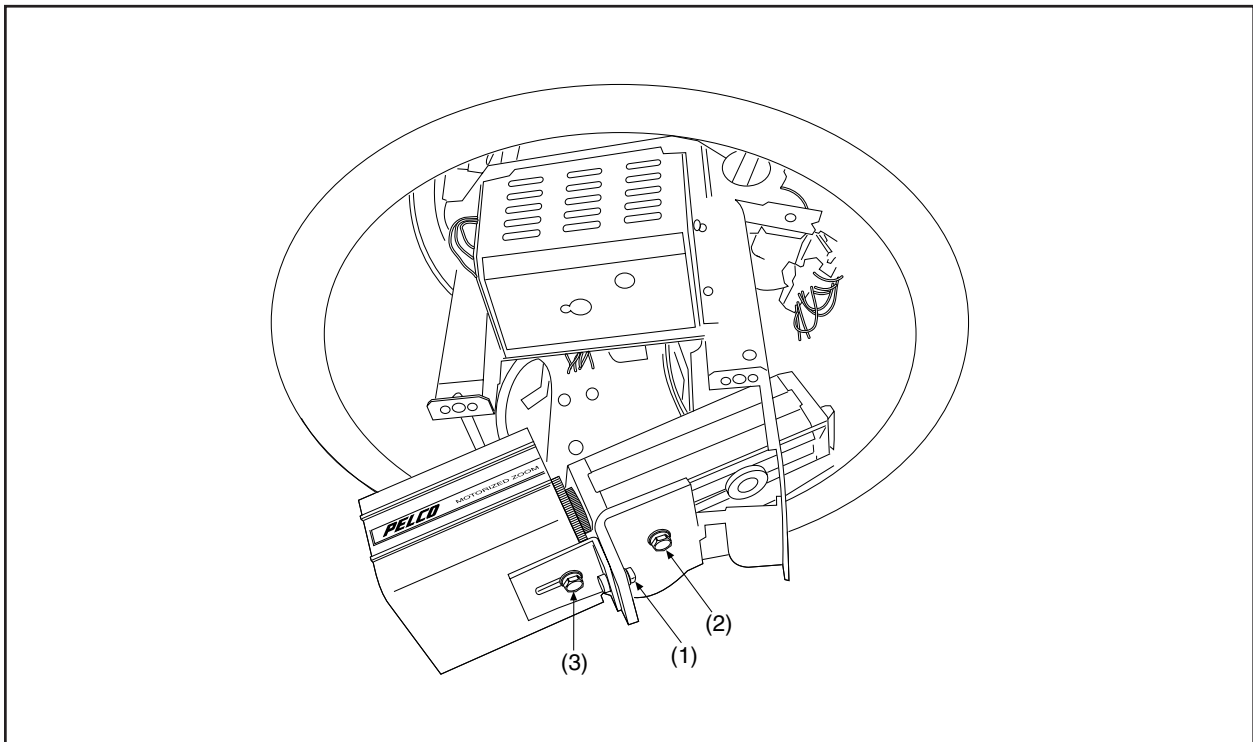


Figure 3. Attaching Camera/Lens to Tilt Table

NOTE: The tilt limit stops are not adjustable.



CAUTION: Do not remove or reposition the fixed limit stop. Damage will occur.

NOTE: Vari-speed unit clearance can easily be checked without turning power on. Fixed speed units must have power on and you will have to be able to activate the tilt functions. Do not rotate fixed speed dome drives by hand as damage will occur to the motors.



WARNING: Failure to install the gasket properly will void the warranty.

3. **Models with 355° Rotation Only** - Adjust the pan limit stops:
 - a. Pan the unit to the desired left position.
 - b. Turn off the power.
 - c. Position the limit stop and tighten it in place. Refer to Figure 4 for the location of the limit stops. Disconnect the drive from the back box, if necessary, to make the adjustment.

To remove the dome drive:

1. Remove the hairpin clips from the latches.
 2. Open **one** of the latches.
 3. Grasp the unit with one hand to prepare for the 10- to 13-pound (4.5 to 5.9 kg) load.
 4. Open the other latch and lower the dome drive.
- d. Replace the dome drive if it was removed and turn on the power. Check the position of the limit stop to make sure it is correct. If the position of the stop is not correct, repeat steps a-d.
 - e. Repeat steps a-d for the right limit stop.
4. Install the dome liner: Push the studs on the liner into the dome bracket. Make sure the window slot is aligned with the lens.

Ensure there is sufficient clearance between the camera/lens and dome liner. Tilt the camera/lens combination up and down to check for clearance between the lens and the dome liner. If proper clearance is not achieved, the dome liner will be dislodged from the dome drive. Also pay attention to camera and wiring clearance inside the back box. Reposition the camera/lens and wiring as necessary.

5. **Suspended/Hard Ceiling Models** - Attach the trim ring and dome to the back box.

Pendant Models - Align the three bezel pins with the large hole in the back box brackets, push the bezel up and rotate clockwise to latch.

Attach the back box gasket to the rim of the back box to provide an air-tight seal between the back box and the bezel.

6. The installation is complete. For operating instructions, refer to the receiver/drive manual.

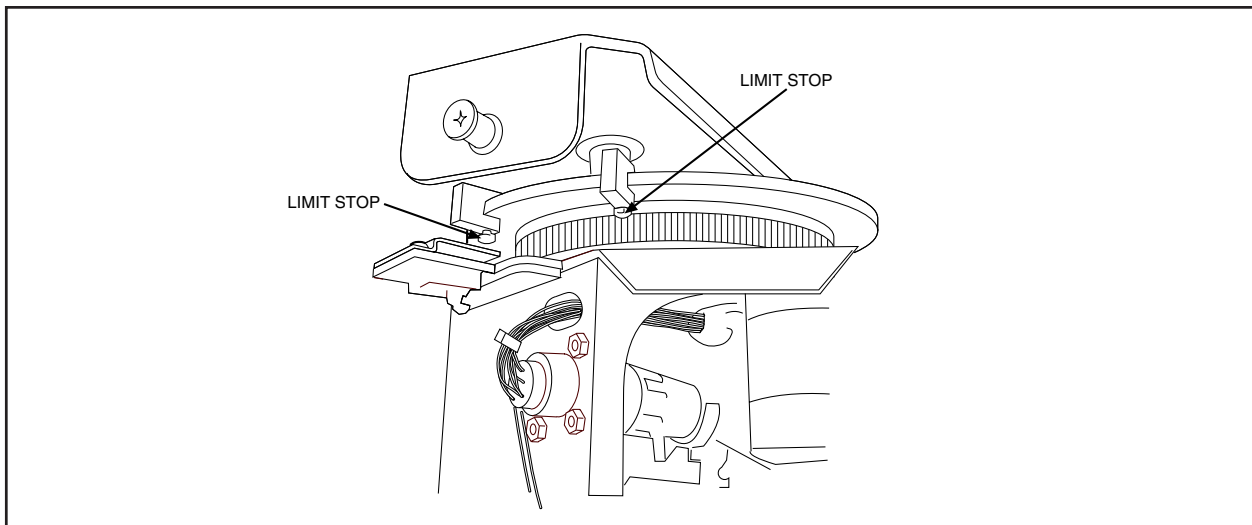


Figure 4. Pan Limit Stops (Only Two Shown)

4.0 MAINTENANCE

Regularly scheduled maintenance will prolong the operational life and appearance of the equipment.

Clean the dome with a nonabrasive cleaning cloth and antistatic cleaner that is safe for use on acrylic plastic. Do not use kerosene or similar substances that can scratch the surface.

The dome drive should also be inspected and any dust and debris blown off. Pay special attention to the spur gear drives. After removing dust and debris a film of silicone lubricant should be applied to both pan and tilt spur gears for prolonged gear life. It is recommended that the unit be checked at six-month intervals.

No adjustments are required.

4.1 DOME DRIVE REMOVAL

1. **Pendant Models Only** - Remove the gasket from the rim of the back box.
2. Remove the back box trim ring or bezel. To remove a bezel, turn it about 1/2" (1.27 cm) counterclockwise and pull down.
3. Turn off the power.
4. Remove the hairpin clips from the latches.
5. Open one of the latches.
6. Grasp the unit with one hand to prepare for the 10- to 13-pound (4.5 to 5.9 kg) load.
7. Open the other latch and lower the dome drive.

5.0 WIRING DIAGRAMS

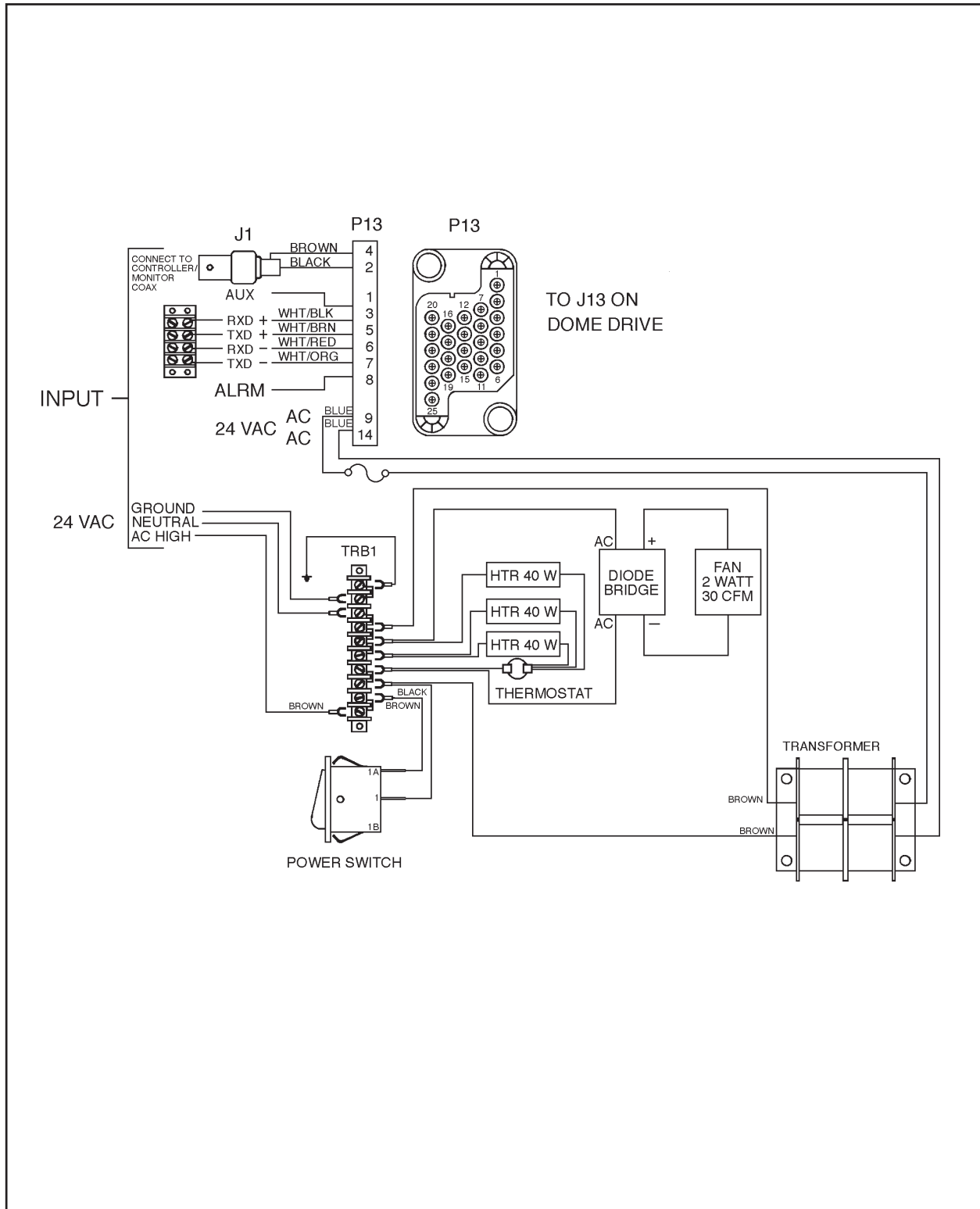


Figure 5. 24 VAC Back Box Wiring Diagram (For Dome Drives with Integral Receiver/Driver)

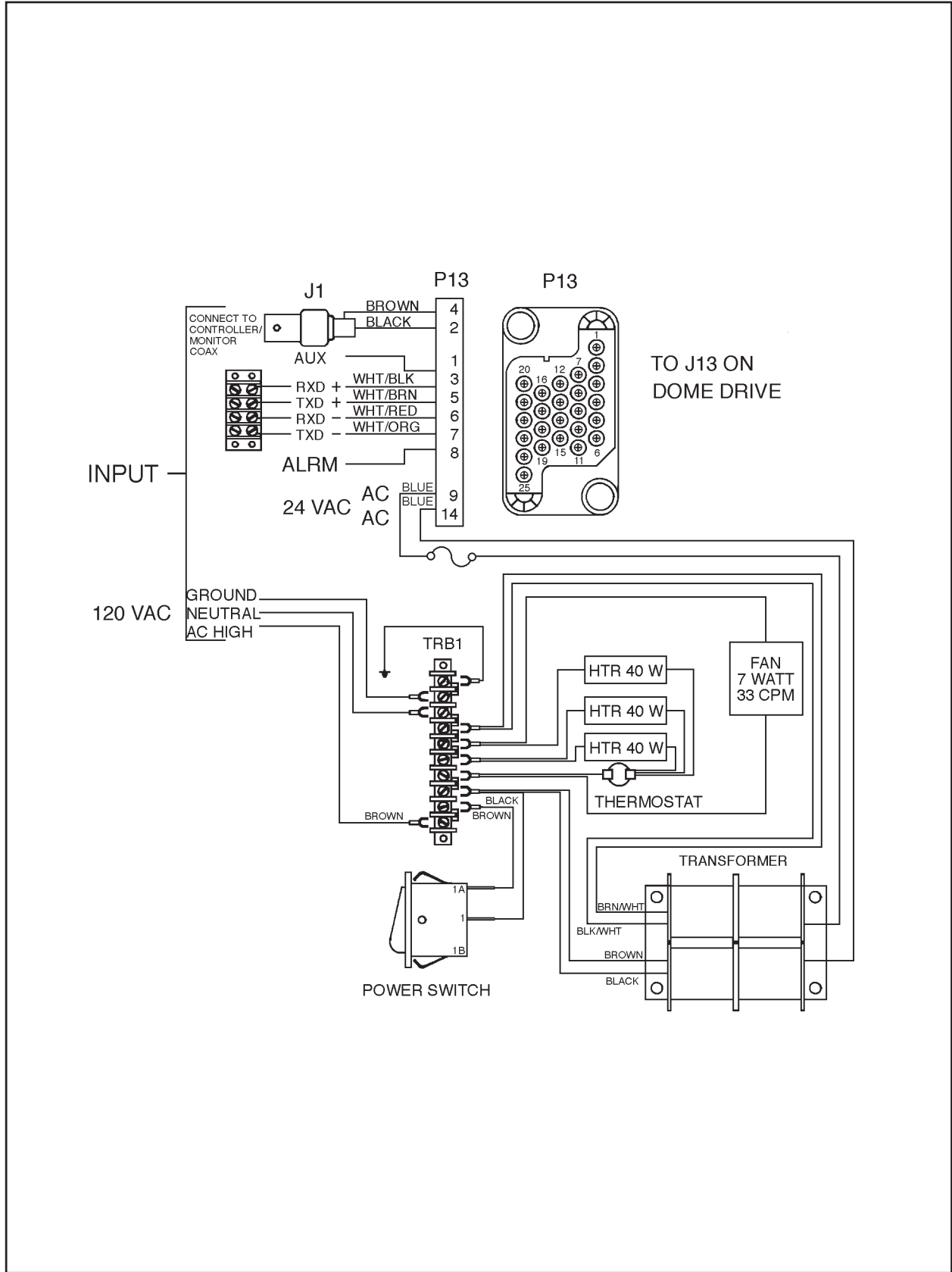


Figure 6. 120 VAC Back Box Wiring Diagram (For Dome Drives with Integral Receiver/Driver)

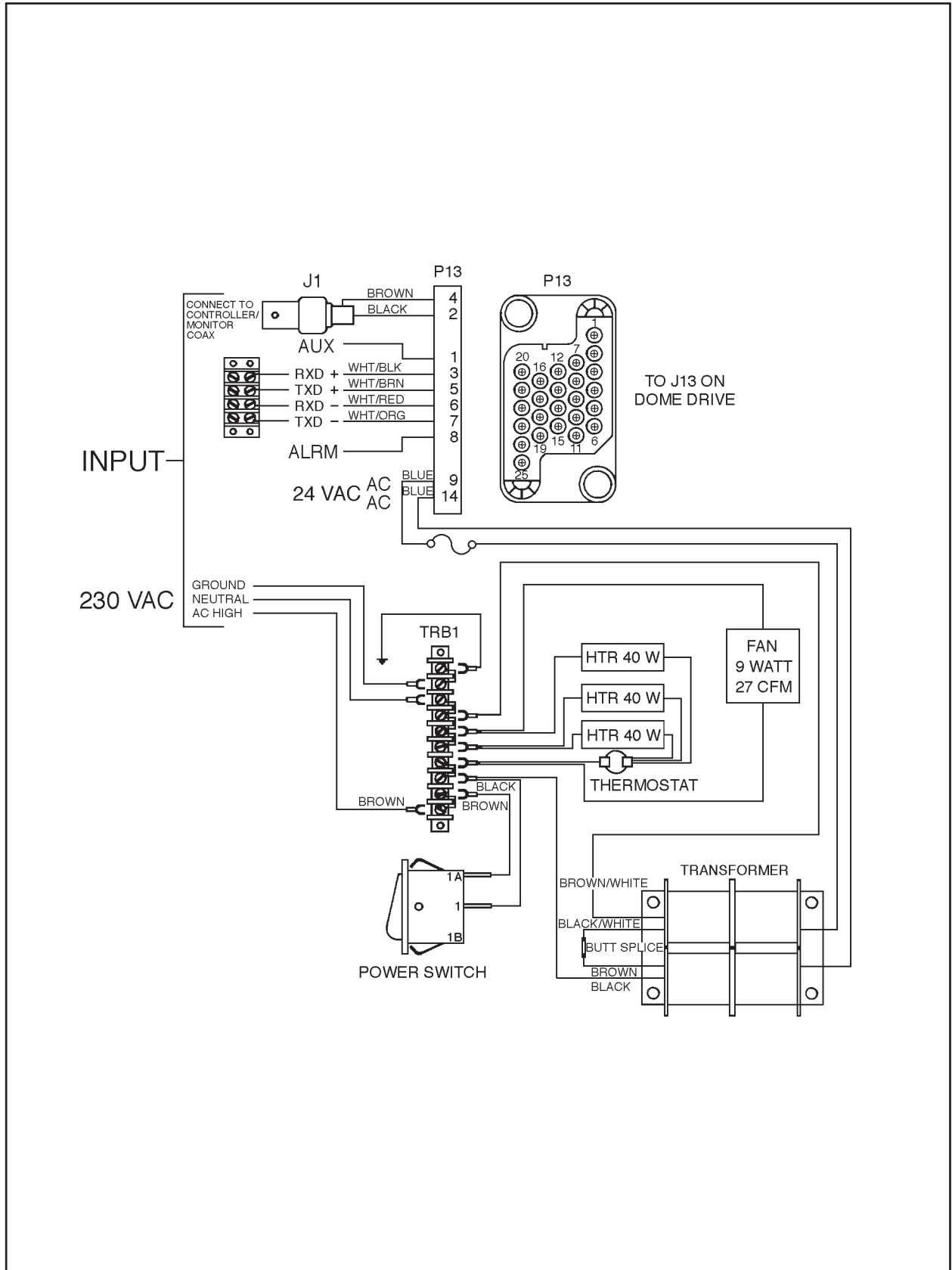


Figure 7. 230 VAC Back Box Wiring Diagram (For Dome Drives with Integral Receiver/Driver)

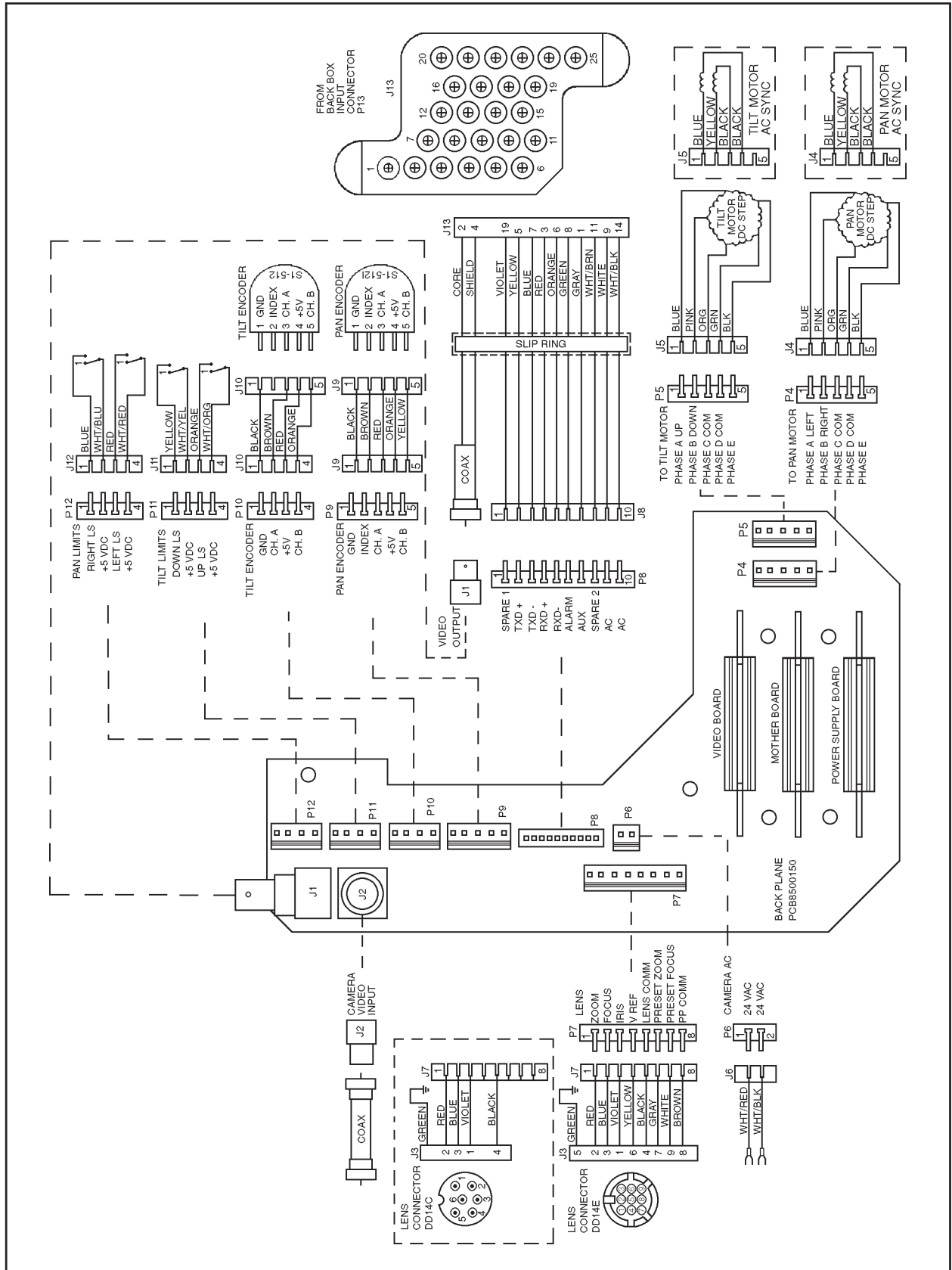


Figure 8. Wiring Diagram for Dome Drives with 355° Rotation

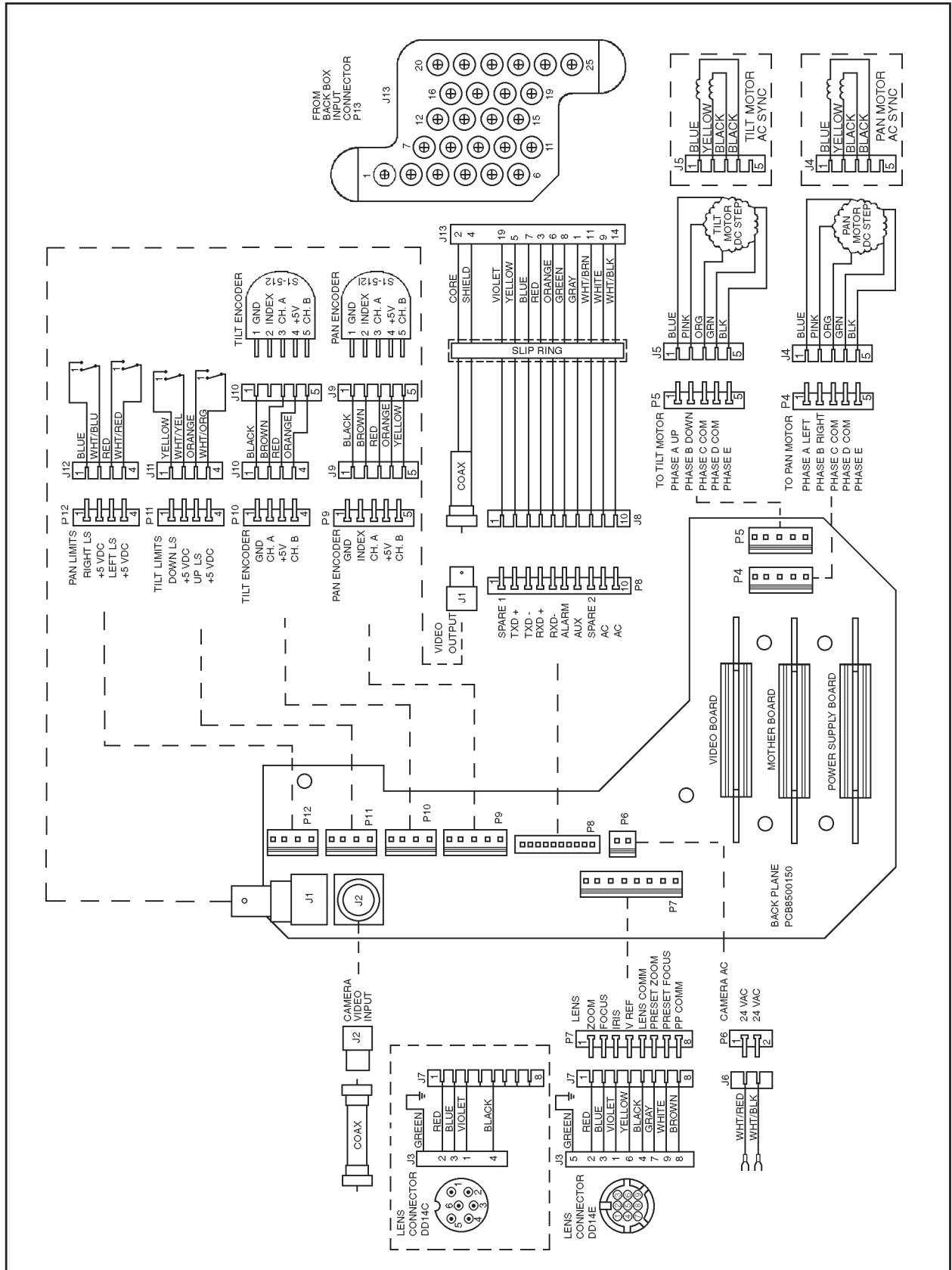


Figure 9. Wiring Diagram for Dome Drives with 360° Rotation

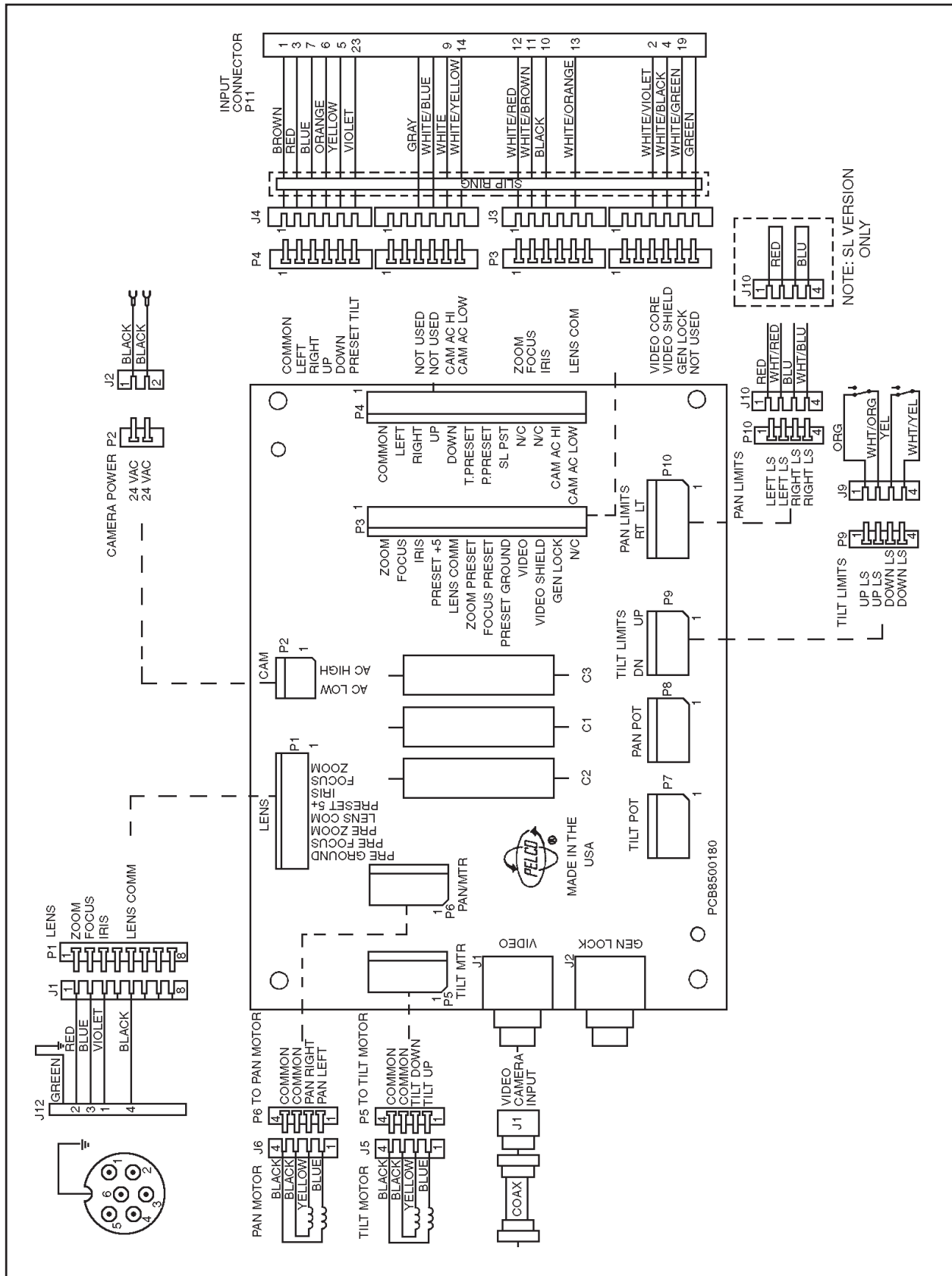


Figure 10. Wiring Diagram for Hard-Wire Systems

6.0 EXPLODED ASSEMBLY DIAGRAMS

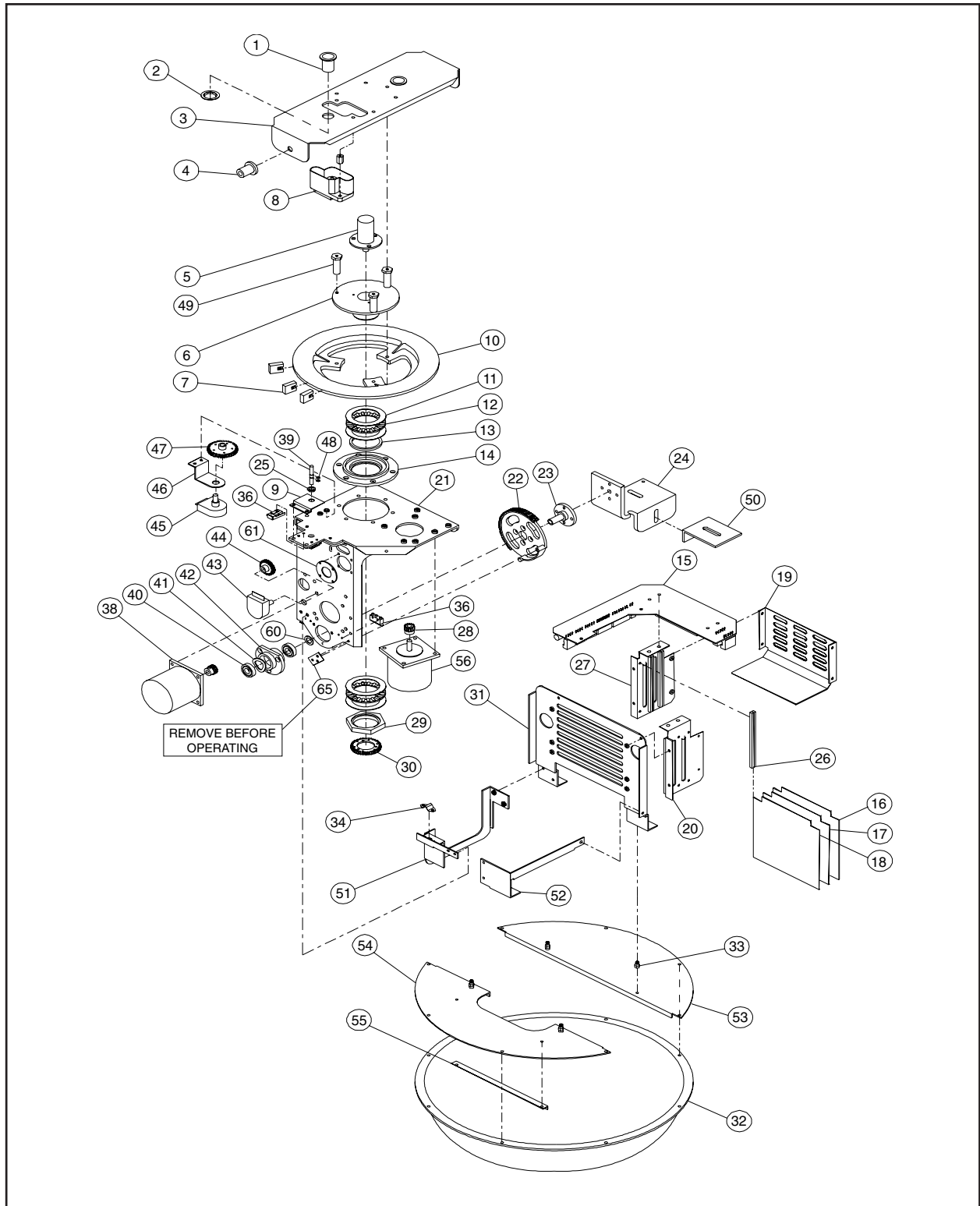


Figure 11. DD14 Series Dome Drive Exploded Assembly Mechanical Parts Diagram

Table A. DD14 Series Dome Drive Exploded Assembly Mechanical Part List (Figure 11)

Item	Quantity	Description	Part Number
1	2	Bushing	80010004
2	2	Push nut	80010011
3	1	Upper drive mount bracket	8004034COMP
4	2	Dome drive latch pin	8004145COMP
5	1	Slip ring, 10-lead (360° models only)	SR10-1
6	1	Spindle	8004004COMP
7	3	Pan limit stop (355° models only)	80010050
8	1	25-position connector receptacle	CON10J025Z41T
9	1	Pan limit pin bracket (355° models only)	8004013COMP
10	1	Pan gear	80010012
11	4	Thrust washer	90010002
12	2	Thrust bearing	90010001
13	1	Bronze bearing	90010029
14	1	Pan bearing boss	8004002COMP
15	1	Backplane	*
16	1	Power supply	*
17	1	CPU controller	*
18	1	Video board	*
19	1	Receiver/driver cover	8004010COMP
		(models with integral receiver/driver only)	
20	1	Bracket, receiver PCB guides	8004009COMP
		(models with integral receiver/driver only)	
21	1	Dome drive frame	8141000WA
22	1	Tilt gear	80010013
23	1	Tilt shaft	8004018COMP
24	1	Tilt table	8104005COMP
25	1	Grommet (355° models only)	GRO2172N
26	6	PCB board guides	MMS300-4.25
		(models with integral receiver/driver only)	
27	1	Bracket, receiver PC board guide	8004008COMP
		(models with integral receiver/driver only)	
28	2	Motor gear	80010101
29	1	Pan spindle nut	9004004COMP
30	1	Gear, preset, pan spindle (preset models only)	8004006COMP
31	1	Dome bracket	8144001COMP
32	1	ABS dome liner	81410002
33	4	Ball stud	PT180410000
34	4	Ball stud receiver	PT180410001
35	2	Tilt switch with actuator	SWI111SM1
36	2	Pan switch with actuator (355° models only)	SWI111SM
37	—	Not used	
38	1	Tilt motor:	
		Stepper, DC, vari-speed, type 3 drive	8008000
		24 VAC, 7 rpm, w/gearhead, type 1 drive	8008207
		24 VAC, 14 rpm, w/gearhead, type 2 drive	8008214
39	1	Pan limit pin (355° models only)	8004011COMP

* Refer to dome receiver/driver manual for part number.

continued on next page

Table A (continued)

Item	Quantity	Description	Part Number
40	2	Sealed bearing	80010000
41	1	Wave spring	80010002
42	1	Boss, bearing, tilt	8004000COMP
43	1	Encoder, preset tilt (preset models only)	ENCS1-512
44	1	Gear, preset tilt (preset models only)	28010017
45	1	Encoder, preset pan (preset models only)	ENCS1-512I
46	1	Bracket, pan preset encoder (preset models only)	8004012COMP
47	1	Gear, pan preset encoder (preset models only)	PT250010002
48	2	Snap ring (355° models only)	15510000
49	3	Spindle stand-off	8004123COMP
50	1	Lens support	8144006COMP
51	1	Rear dome bracket	8144009COMP
52	1	Front dome bracket	8144007COMP
53	1	Dome plate (receiver side)	8144002COMP
54	1	Dome plate (tilt side)	8144003COMP
55	1	Dome bracket, tilt side	8144004COMP
56	1	Pan motor: Stepper, DC, vari-speed, type 3 drive	8008000
		24 VAC, 24 rpm, w/gearhead, type 1 drive	8008224
		24 VAC, 48 rpm, w/gearhead, type 2 drive	8008248
57	1	Connector, mating, lens: 9-pin, PP lens (not shown)	1751000COMP
		6-pin, non-PP lens (not shown)	CONMAS6100
58	1	Connector, lens, panel mount: 9-pin, PP lens (not shown)	CON206705-1
		6-pin, non-PP lens (not shown)	CONMAB6100
59	9	Pins, loose piece (not shown) (for use with item #58, CON206705-1)	CON66399-1
60	1	Shim	ZHSHIM.047
61	1	Adapter, connector (non-preset models only)	30014025COMP
62	1	Gland (355° models only)	EH400010003
63	1	Strain relief bracket (355° models only)	8004064COMP
64	1	Gland nut (355° models only)	EH400010004
65	1	Shipping stabilizer bracket (** Remove Before Operating**)	8144012COMP
66		Spacer:	
	1	Tilt motor, (vari-speed) (not shown)	8004023COMP
	1	Tilt motor, (AC) (not shown)	8004061COMP

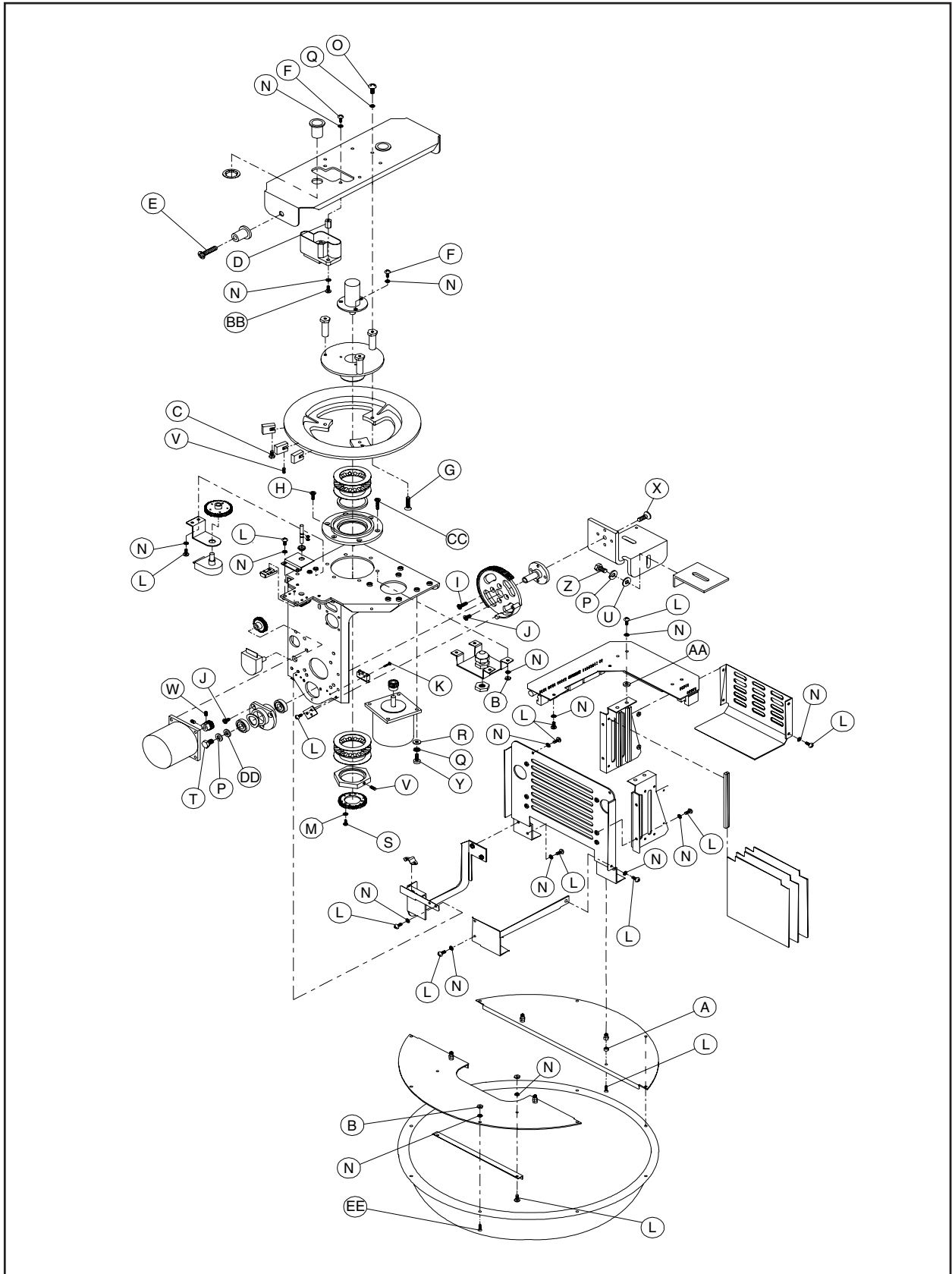


Figure 12. DD14 Series Dome Exploded Assembly Hardware Diagram

Table B. DD14 Series Dome Drive Exploded Assembly Hardware Parts List (Figure 12)

Item	Quantity	Description	Part Number
A	4	Spacer, 1/4" O.D. x 1/8" L, #6 clear	SPA8500
B		Nut, 6-32	ZH6-32NUTSH
	14	(355° models only)	
	10	(360° models only)	
C	2	Screw, 8-32 x 3/8", hex head	ZH8-32X.375HMSS
		(355° models only)	
D	2	Spacer 1/4" hex x 1/2" L, 6-32 tapped	SPA8423
E	2	Screw, 1/4-20 x 1" flat head, Phillips	ZH1/420X1.00SFS
F	5	Screw, 6-32 x 3/8" pan head, Phillips	ZH6-32X.375SPP
G	3	Screw, 8-32 x 3/4" L, flat head, Phillips	ZH8-32X.750SFS
H		Screw, 6-32 x 3/8" flat head, Phillips	ZH6-32X.375SFP
	2	(355° models only)	
	6	(360° models only)	
I	2	Screw, 8-32 x 1/2" flat head, Phillips	ZH8-32X.500SFS
J	5	Screw, 8-32 x 3/8" flat head, Phillips	ZH8-32X.375SFP
K		Screw, 2-56 x 7/16" pan head, Phillips	ZH2-56X.437SPP
	8	(355° models only)	
	4	(360° models only)	
L	33	Screw, 6-32 x 3/8" pan head, Phillips, black	ZH6-32X.375BPP
M	3	Internal star washer, #4 (preset models only)	ZH4LWSIS
N		Internal star washer, #6	ZH6LWSIS
	47	(355° models only)	
	43	(360° models only)	
O	3	Screw, 8-32 x 1/2" pan head, Phillips	ZH8-32X.500SPP
P	2	Split lock washer, 1/4"	ZH1/4LWSSL
Q	11	Internal star washer, #8	ZH8LWSIS
R	8	Flat washer, #8	ZH188X435X60C
S	3	Screw, 4-40 x 1/4" pan head, Phillips	ZH4-40X.250SPP
		(preset models only)	
T	1	Screw, 1/4-20 x 1/2", hex head	ZH1/4-20X.500CH
U	1	Flat washer	ZH260X562X65C
V	2	Set screw, 8-32 x 1/4", black (355° models only)	ZH8-32X.250S
W	4	Set screw, 8-32 x 3/16", black	ZH8-32X.187S
X	1	Screw, 10-32 x 1/2" flat head, Phillips	ZH10-32X.500CFS
Y	8	Screw, 8-32 x 1/2" hex soc	ZH8-32X.500CS
Z	1	Screw, 1/4-20 x 3/4" hex head	ZH1/420X.750CH
AA	4	Nylon washer	ZH131X361X62N
BB	2	Screw, 6-32 x 1/2" pan head, Phillips	ZH6-32X.500SPP
CC	4	Screw, 6-32 x 5/8" flat head, Phillips	ZH6-32X.625SFS
		(355° models only)	
DD	1	Flat washer, 3/16"	ZH260X562X65C
EE	8	Screw, 6-32 x 3/8" flat head, black	ZH6-32X.375BPP

7.0 SPECIFICATIONS

MECHANICAL

Pan: Movement in horizontal plane:
0-355° with pan limit stops
360° without pan limit stops

Tilt: -90° movement from horizontal plane

Pan and Tilt Speeds: The following speeds are available and pre-selected by customer at time of order:

Dome Drive Type	Pan Speed	Tilt Speed
DD14B1L DD14B1L-H DD14C1L DD14C1L-H DD14D1L	12°/sec ± 1°	6°/sec ±.5°
DD14B2L DD14B2L-H DD14C2L DD14C2L-H DD14D2L DD14E2L	24°/sec ± 1°	12°/sec ±.5°
DD14C3L DD14E3L	Variable (0 – 100°/sec)	0–40°/sec ±.5°

Motors: Synchronous, continuous duty, instantaneous reversing (models with fixed pan speed)

Stepper (models with variable pan speed)

Maximum Camera/Lens Length: Approx. 4.7" W x 3.2" H x 11.5" L (11.94 cm x 8.13 cm x 29.21 cm), including BNC cable connection to camera

Connectors
Video: BNC

Lens: Hirschmann 6-pin (mate supplied) for non-preset models
AMP CPC 9-pin (mate supplied) for preset models

Camera Power: Spade lugs

Gearing: Spur gear

Bearings
Pan: Roller thrust bearings and Oilite bronze bushing

Tilt: Sealed ball bearing

Braking: Models with fixed pan speed: Friction
Models with variable pan speed: Magnetic locking

ELECTRICAL

Power Requirements:

	Variable Speed Unit	All Others
Pan and Tilt	24 vA	7.5 vA
Idle	15 vA	2.5 vA

Maximum Current: 2 amps per conductor (360° models only)

Camera Power: 24 VAC

Limit Switches

Pan: 5 amp, external adjustment (355° models only)

Tilt: 5 amp (factory set)

GENERAL

Construction

Pan/Tilt: Aluminum with stainless steel hardware

Dome Liner: Plastic

Max. Weight: 10.7 lbs (4.85 kg). (Combined weight of dome drive with integral receiver/driver and dome.)

(Design and product specifications subject to change without notice.)



This equipment contains electrical or electronic components that must be recycled properly to comply with Directive 2002/96/EC of the European Union regarding the disposal of waste electrical and electronic equipment (WEEE). Contact your local dealer for procedures for recycling this equipment.

NOTES

8.0 WARRANTY AND RETURN INFORMATION

WARRANTY

Pelco will repair or replace, without charge, any merchandise proved defective in material or workmanship for a period of one year after the date of shipment.

Exceptions to this warranty are as noted below:

- Five years on FT/FR8000 Series fiber optic products.
- Three years on Genex® Series products (multiplexers, server, and keyboard).
- Three years on Camclosure® and fixed camera models, except the CC3701H-2, CC3701H-2X, CC3751H-2, CC3651H-2X, MC3651H-2, and MC3651H-2X camera models, which have a five-year warranty.
- Two years on standard motorized or fixed focal length lenses.
- Two years on Legacy®, CM6700/CM6800/CM9700 Series matrix, and DF5/DF8 Series fixed dome products.
- Two years on Spectra®, Esprit®, ExSite™, and PS20 scanners, including when used in continuous motion applications.
- Two years on Esprit® and WW5700 Series window wiper (excluding wiper blades).
- Eighteen months on DX Series digital video recorders, NVR300 Series network video recorders, and Endura™ Series distributed network-based video products.
- One year (except video heads) on video cassette recorders (VCRs). Video heads will be covered for a period of six months.
- Six months on all pan and tilts, scanners or preset lenses used in continuous motion applications (that is, preset scan, tour and auto scan modes).

Pelco will warrant all replacement parts and repairs for 90 days from the date of Pelco shipment. All goods requiring warranty repair shall be sent freight prepaid to Pelco, Clovis, California. Repairs made necessary by reason of misuse, alteration, normal wear, or accident are not covered under this warranty.

Pelco assumes no risk and shall be subject to no liability for damages or loss resulting from the specific use or application made of the Products. Pelco's liability for any claim, whether based on breach of contract, negligence, infringement of any rights of any party or product liability, relating to the Products shall not exceed the price paid by the Dealer to Pelco for such Products. In no event will Pelco be liable for any special, incidental or consequential damages (including loss of use, loss of profit and claims of third parties) however caused, whether by the negligence of Pelco or otherwise.

The above warranty provides the Dealer with specific legal rights. The Dealer may also have additional rights, which are subject to variation from state to state.

If a warranty repair is required, the Dealer must contact Pelco at (800) 289-9100 or (559) 292-1981 to obtain a Repair Authorization number (RA), and provide the following information:

1. Model and serial number
2. Date of shipment, P.O. number, Sales Order number, or Pelco invoice number
3. Details of the defect or problem

If there is a dispute regarding the warranty of a product which does not fall under the warranty conditions stated above, please include a written explanation with the product when returned.

Method of return shipment shall be the same or equal to the method by which the item was received by Pelco.

RETURNS

In order to expedite parts returned to the factory for repair or credit, please call the factory at (800) 289-9100 or (559) 292-1981 to obtain an authorization number (CA number if returned for credit, and RA number if returned for repair).

All merchandise returned for credit may be subject to a 20% restocking and refurbishing charge.

Goods returned for repair or credit should be clearly identified with the assigned CA or RA number and freight should be prepaid. Ship to the appropriate address below.

If you are located within the continental U.S., Alaska, Hawaii or Puerto Rico, send goods to:

Service Department
Pelco
3500 Pelco Way
Clovis, CA 93612-5699

If you are located outside the continental U.S., Alaska, Hawaii or Puerto Rico and are instructed to return goods to the USA, you may do one of the following:

If the goods are to be sent by a COURIER SERVICE, send the goods to:

Pelco
3500 Pelco Way
Clovis, CA 93612-5699 USA

If the goods are to be sent by a FREIGHT FORWARDER, send the goods to:

Pelco c/o Expeditors
473 Eccles Avenue
South San Francisco, CA 94080 USA
Phone: 650-737-1700
Fax: 650-737-0933

Pelco, the Pelco logo, Camclosure, Esprit, Genex, Legacy, and Spectra are registered trademarks of Pelco.
Endura and ExSite are trademarks of Pelco.

© Copyright 1998, Pelco. All rights reserved.

Free Manuals Download Website

<http://myh66.com>

<http://usermanuals.us>

<http://www.somanuals.com>

<http://www.4manuals.cc>

<http://www.manual-lib.com>

<http://www.404manual.com>

<http://www.luxmanual.com>

<http://aubethermostatmanual.com>

Golf course search by state

<http://golfingnear.com>

Email search by domain

<http://emailbydomain.com>

Auto manuals search

<http://auto.somanuals.com>

TV manuals search

<http://tv.somanuals.com>