

Be Heard, Not Seen

PSB CustomSound In-Wall Speaker System

CW170FR - Fire Rated In-Ceiling System

The CW170FR loudspeaker is a highly versatile 6" coaxial system designed for applications requiring a fire rated ceiling loudspeaker.

Many city and regional authorities are now requiring in-ceiling systems to be fire rated. To answer this need we offer the CW170FR, which passes UL 2043 and UL 1480 standards. The system is enclosed in a 20 gauge steel can that gives it both the fire rating properties and a proper acoustical enclosure.

The speaker unit is a wide range 6 1/2" polypropylene coned coaxial with a 3/4" soft dome tweeter mounting on a pivotable post.

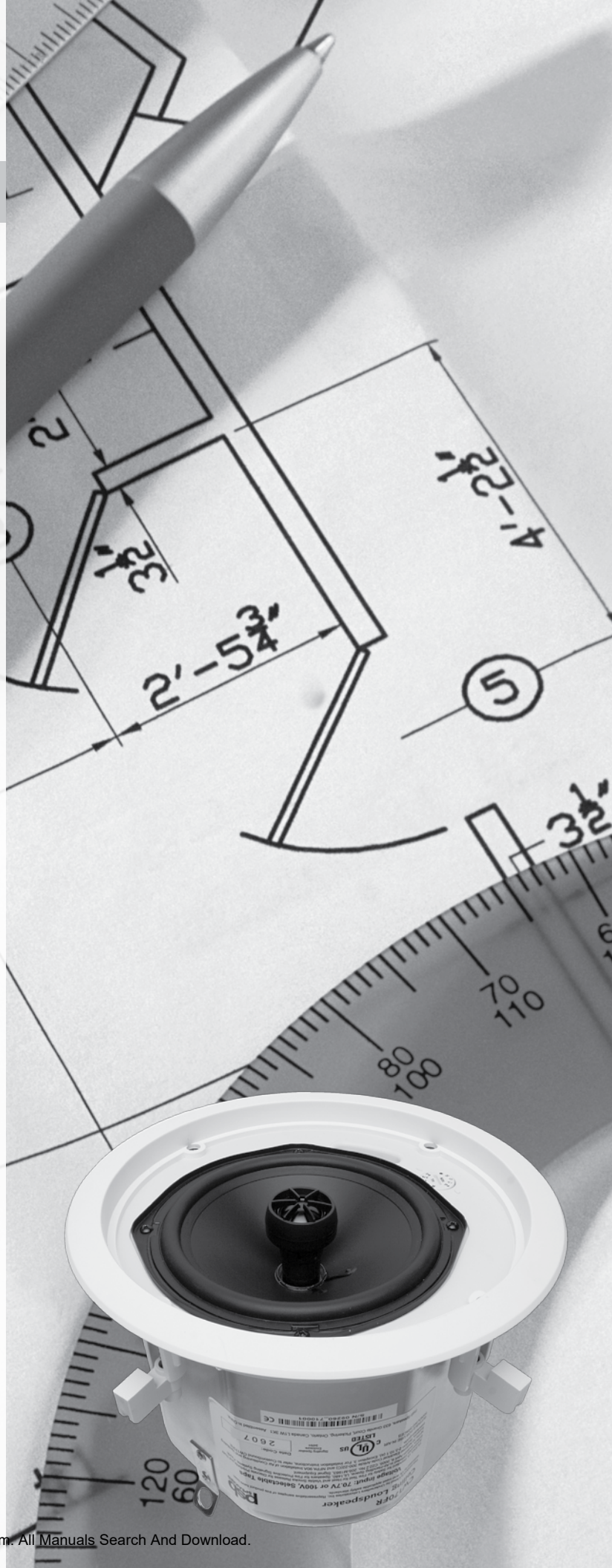
A sophisticated crossover gives smooth and flat response through the midrange and a slight rise through the highest treble frequencies, a response suitable for a ceiling speaker. The back can gives full isolation from the ceiling environment and allows the system to be bass reflex vented for extended bass response.

A low profile perforated grille with removable scrim allows the system to be painted any color to further enhance invisibility. Extensive mounting bracketry is included for easy ceiling mounting in either dry wall or acoustical tiled ceilings. Four "dog leg" style clamps provide quick and easy mounting.

A removable steel cover has a clamp suitable for sheathed or armored cable. Underneath it is a 4 conductor plug with set screw connections.

A 70Volt/100Volt transformer is built into the system. This allows multiple speakers to be connected on the same circuit while each speaker can be set to an individual volume level. The transformer has a multi-position switch with 3 settings for volume (power absorbed from the 70/100Volt line) and a 4th position that bypasses the line transformer entirely.

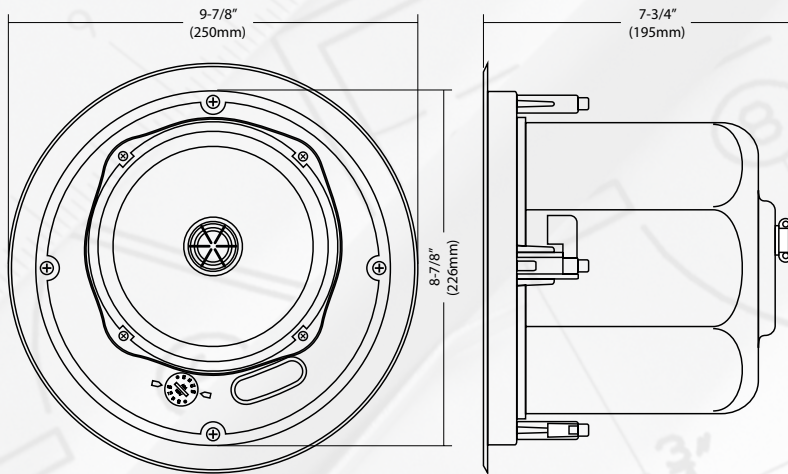
psb
SPEAKERS



CW1 70FR Fire Rated In-Ceiling System

- Fire Rated to UL 2043 and UL1480
- Fully enclosed with steel back can
- 6 1/2" (165mm) polypropylene coned woofer
- 3/4" (19mm) aimable soft dome tweeter
- direct input plus 3 steps of 70/100 volt input transformer

Frequency Range (-6dB):	80-20,000Hz
Recommended Power:	20-100 Watts
Impedance:	8 Ohms
Sensitivity (1W (2.83V) @1m)	
Anechoic Chamber:	90dB SPL
Typical Listening Room:	92dB SPL
Drivers:	6 1/2" Woofer, 3/4" Dome Tweeter
Overall Dimensions (Diam. x D):	9-7/8" Diameter (250mm) x 7-3/4" (195mm)
Cut-out Dimensions:	8-7/8" Diameter (226mm)



Installation Notes

- Make small exploratory hole and check for obstruction in ceiling cavity before cutting mounting hole.
- Trace carefully around the provided cutout template at the desired speaker location.
- Cleanly cut the hole to the circle just traced
- For preconstruction and ceiling tile installations use the preconstruction brackets provided (see manual for details).
- Connect bare wires via the screw terminal connector under the protective rear cover plate.
- For most installations set the 70/100Volt switch to the 8ohm (bypass) position.
- With 70/100Volt systems and multiple speakers, set level of each speaker as desired via other 3 positions (don't use position marked with dot).
- Aim the tweeter towards the center of the listening area.
- See manual for more installation hints.

To Reach US Customer Service dial 1 888 772 0000 ext 4445 or 4342

PSB Speakers reserves the right to change specifications or features without notice.

© 2007 PSB Speakers, a division of Lenbrook Industries Limited.

PSB is a registered trademark of Lenbrook Industries Limited. Printed in Canada 08/07. All rights reserved.

No part of this publication may be reproduced, stored or transmitted in any form whatsoever without the written permission of PSB Speakers.

876 170FR Data

www.pbspeakers.com

1 888 772 0000

psb
SPEAKERS

Download from Www.Somanuals.com. All Manuals Search And Download.

Free Manuals Download Website

<http://myh66.com>

<http://usermanuals.us>

<http://www.somanuals.com>

<http://www.4manuals.cc>

<http://www.manual-lib.com>

<http://www.404manual.com>

<http://www.luxmanual.com>

<http://aubethermostatmanual.com>

Golf course search by state

<http://golfingnear.com>

Email search by domain

<http://emailbydomain.com>

Auto manuals search

<http://auto.somanuals.com>

TV manuals search

<http://tv.somanuals.com>