

Be Heard, Not Seen

PSB CustomSound In-Wall Speaker System

CW80R - 8" Coaxial Speaker System

The CW80R is a 2-way coaxial in-wall system. The CW80R has been carefully optimized for a neutral and well balanced sound quality.

The 8-inch woofer with a fiberglass textured polypropylene cone has high power handling, smooth response and extended bandwidth. The 1" tweeter has a 2 piece diaphragm and suspension for low resonance and low distortion. The tweeter has a pivoting mount to allow it to be aimed towards the listener's location for most extended response.

"Dog leg" style mounting clips ensure quick and easy mounting.

In-wall loudspeakers must deal with limited space within the confines behind the wall. Wall cavities are not built to any standard volume so open back in-wall speakers must work within a wide range of wall cavity volumes. PSB accomplishes this by giving the woofers higher mass and stiffness than with conventional "in room" enclosures. Extensive simulations and testing have shown that our designs deliver high-performance sound quality with a broad range of wall cavity volumes. The CW80R can be used with the CWS8 subwoofer/ CWA-1 subamplifier combination.

Full 2nd order high-pass and low-pass crossover filtering is used to enhance system power handling and give enough control in the design process to achieve a smooth and very well balanced sound. It is a perfect match to any other PSB product.

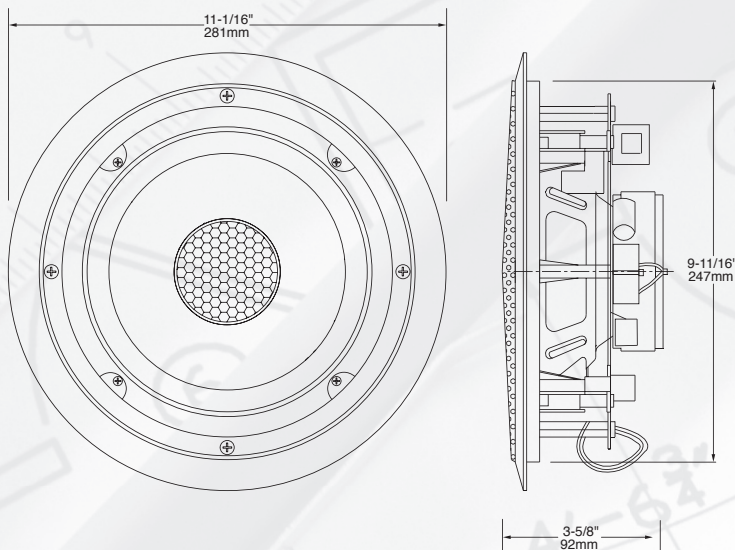


psb
SPEAKERS

CW80R - 8" Coaxial Speaker System

- 8" woofer with stiff fiberglass textured polypropylene cone, higher cone mass and enhanced motor strength to optimize it to a restricted enclosure volume
- Low resonance 1 inch pivoting tweeter
- High power drivers and crossover for long term reliability
- Performance Enclosure and new construction bracket available

Frequency Range (-6dB):	45-20,000Hz
Recommended Power:	20-100 Watts
Impedance (Nominal):	8 Ohms
Sensitivity (2.83V @1m):	87dB SPL
Drivers:	8" Woofer 1" Dome Tweeter
Overall Dimensions (Diameter x D):	11 1/16" diameter x 3 5/8"
Cut-out Dimensions (Diameter):	9 11/16"



Installation Notes

- Optimal spacing between speakers should be approximately equal to the distance from the listening area to the wall.
- Make a small exploratory hole and check for obstructions in wall cavity before cutting mounting hole.
- Use the mounting template provided to cut the right sized mounting hole.
- Lightly fill wall cavity with fiberglass 2 feet on either side of the system. Use standard 4" fiberglass split to half thickness. Use 1" thick fiberglass behind system.
- Adjust electric screwdrivers to appropriate torque. Tighten mounting screws firmly but do not over tighten!
- Angle the tweeter inward towards the listening area.
- See manual for more installation hints.

To Reach US Customer Service dial 1 888 772 0000 ext 4445 or 4342

PSB Speakers reserves the right to change specifications or features without notice.

© 2006 PSB Speakers, a division of Lenbrook Industries Limited.

PSB is a registered trademark of Lenbrook Industries Limited. Printed in Canada 08/06. All rights reserved.

No part of this publication may be reproduced, stored or transmitted in any form whatsoever without the written permission of PSB Speakers

825 CW80R data.

www.pbspeakers.com

1 888 772 0000

psb
SPEAKERS

Free Manuals Download Website

<http://myh66.com>

<http://usermanuals.us>

<http://www.somanuals.com>

<http://www.4manuals.cc>

<http://www.manual-lib.com>

<http://www.404manual.com>

<http://www.luxmanual.com>

<http://aubethermostatmanual.com>

Golf course search by state

<http://golfingnear.com>

Email search by domain

<http://emailbydomain.com>

Auto manuals search

<http://auto.somanuals.com>

TV manuals search

<http://tv.somanuals.com>