

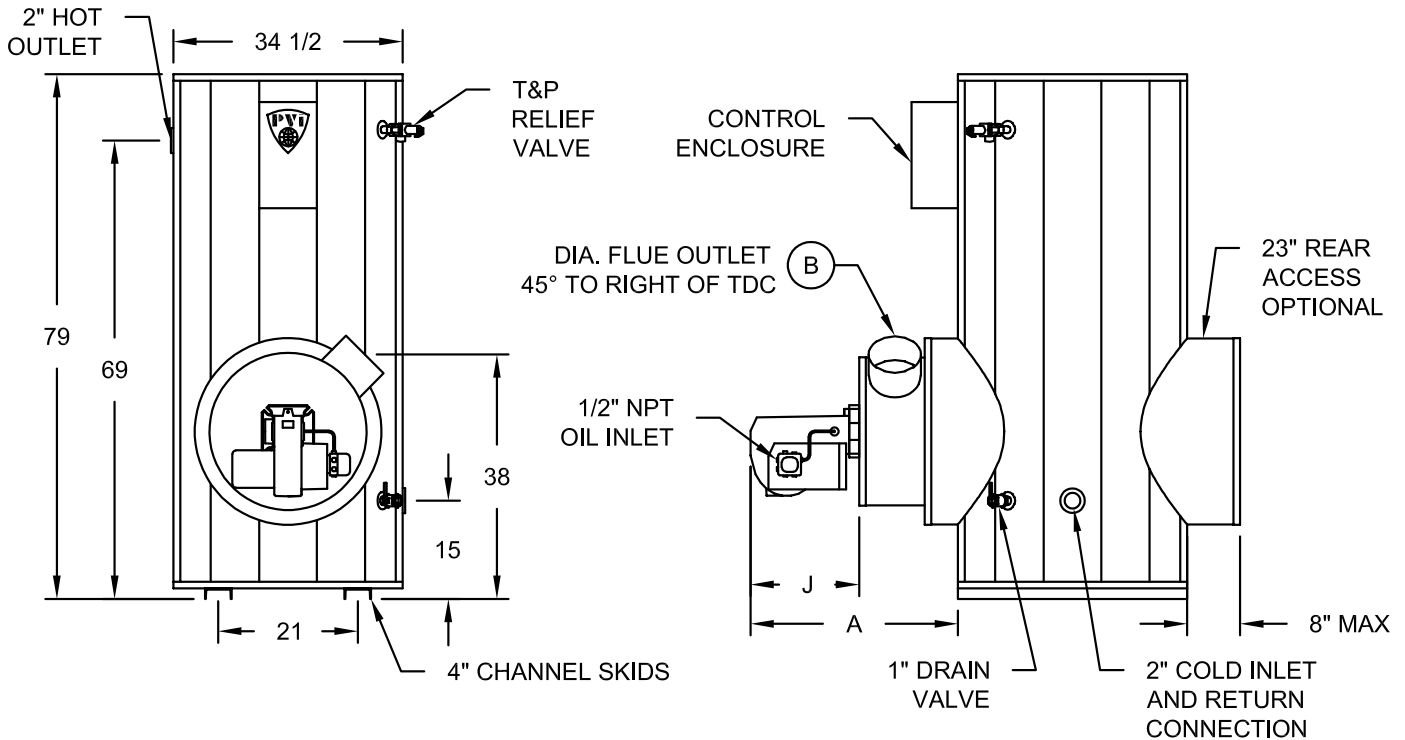


TURBOPOWER® OIL • PACKAGED WATER HEATER  
 NICKELSHIELD® NICKEL-PLATED STORAGE TANK

TANK SERIES 225 GALLONS

Model Number	Recovery gph Ⓞ		Input Btu/h	Gph #2 Oil	Dimensions (inches)			Blower Motor		Shipping Weight lbs
	40°- 120°F	40°- 140°F			A	B	J Ⓞ	HP	Volt/Ph/Amps	
250 N 225A-TPO	250	200	199,000	1.4	28	4	17	1/3	115/1Ø/8	1380
500 N 225A-TPO	500	400	399,000	2.8	28	5	17	1/2	115/1Ø/10	1400
750 N 225A-TPO	750	600	600,000	4.3	42	6	17	1/2	115/1Ø/10	1480
1000 N 225A-TPO	1000	800	800,000	5.7	42	8	17	1/2	115/1Ø/10	1520

- ① Recoveries based on 83% thermal efficiency. ASHRAE 90.1 compliant for efficiency and standby loss.
- ② "J" dimension is for the burner housing only.  
 Dimensions are in inches unless otherwise specified.  
 For standard and optional equipment, see form PV 6004.



**VENTING REQUIREMENTS**

-02" TO -06" W.C. (NEGATIVE PRESSURE)

ENTIRE VENT SYSTEM SHOULD NEVER BE SIZED BASED UPON THE VENT CONNECTION DIAMETER EXCLUSIVELY. FOR PROPER SIZING, CONSULT VENTING SUPPLIER.

**STANDARD ELECTRICAL REQUIREMENTS**

CONTROL VOLTAGE: 120V, 1Ø, 60 HZ., 2 AMPS.  
 MOTOR VOLTAGE:  
 208V, 230V, AND 460V MOTORS ARE AVAILABLE BUT WILL REQUIRE A SEPARATE 120V/2 amps CONTROL CIRCUIT OR AN OPTIONAL CONTROL CIRCUIT TRANSFORMER.

PVI RESERVES THE RIGHT TO CHANGE THE DESIGN AND SPECIFICATION WITHOUT NOTICE.

## Free Manuals Download Website

<http://myh66.com>

<http://usermanuals.us>

<http://www.somanuals.com>

<http://www.4manuals.cc>

<http://www.manual-lib.com>

<http://www.404manual.com>

<http://www.luxmanual.com>

<http://aubethermostatmanual.com>

Golf course search by state

<http://golfingnear.com>

Email search by domain

<http://emailbydomain.com>

Auto manuals search

<http://auto.somanuals.com>

TV manuals search

<http://tv.somanuals.com>