



TURBOPOWER® GAS/OIL • PACKAGED WATER HEATER
 NICKELSHIELD® NICKEL-PLATED STORAGE TANK

TANK SERIES 600 GALLONS

Model Number	Recovery gph ①		Input Btu/h	Min. Inlet Flow Gas Pressure "W.C. ③	#2 Oil gph	Dimensions (inches)				Blower Motor		Shipping Weight lbs
	40°- 120°F	40°- 140°F				A	B	C	J ②	HP	Volt/Ph/Amps	
750 N 600A-TPGO	750	600	600,000	4.5	4.3	46	6	1	31	1/2	115/1Ø/10	2720
1000 N 600A-TPGO	1000	800	800,000	6.0	5.7	46	8	1	31	1/2	115/1Ø/10	2760
1250 N 600A-TPGO	1250	1000	1,000,000	7.5	7.2	54	8	1	31	3/4	115/1Ø/14	2850
1500 N 600A-TPGO	1500	1200	1,200,000	7.5	8.6	54	8	1-1/4	31	1	115/1Ø/16	2930
2000 N 600A-TPGO	2000	1600	1,600,000	6.5	11.4	63	10	2	36	2	115/1Ø/24	3140
2500 N 600A-TPGO	2500	2000	2,000,000	8.0	14.3	65	10	2	36	2	115/1Ø/24	3260

① Recoveries based on 83% thermal efficiency. ASHRAE 90.1 compliant for efficiency and standby loss.

② "J" dimension is for the burner housing only. Gas train may exceed this dimension.

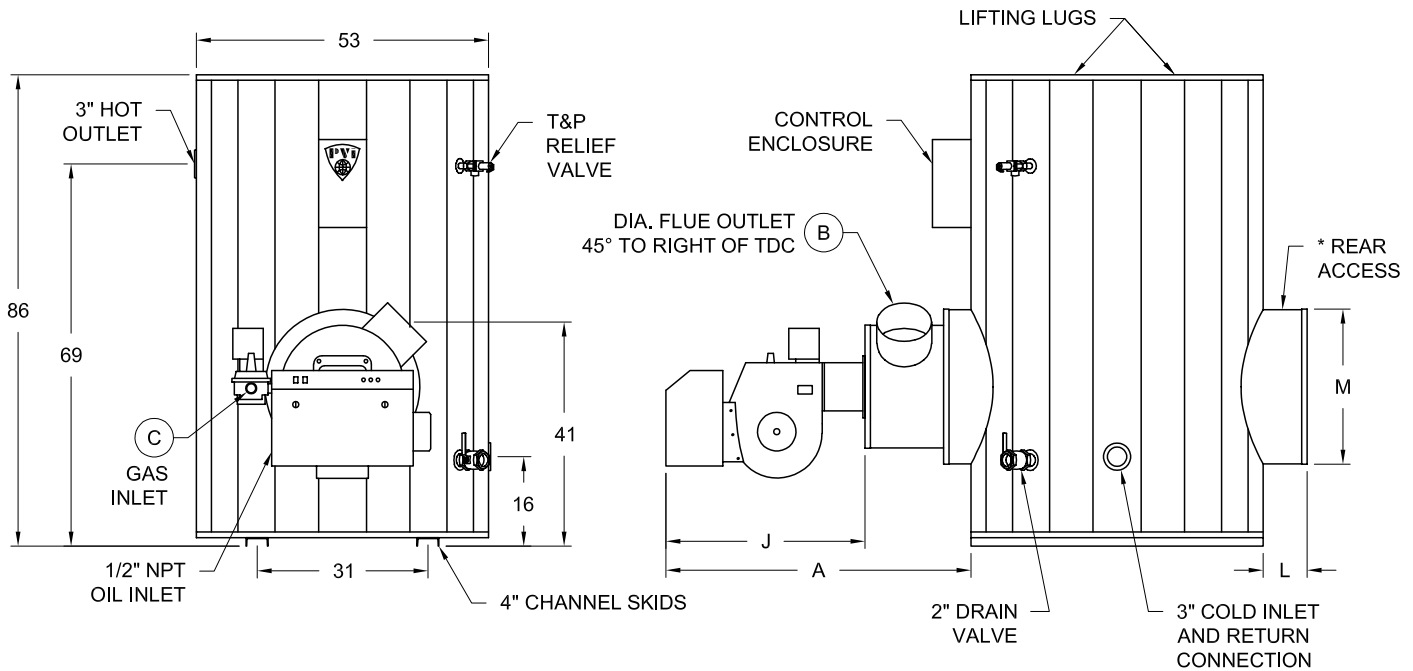
③ Standard gas train.

* The information presented is for Natural gas 0.6 S.G.— For operation with propane (LP gas), consult factory.

Dimensions are in inches unless otherwise specified.

Higher inputs available. Consult the factory.

For standard and optional equipment, see form PV 6046.



*** GAS PRESSURE REQUIREMENTS**

SEE TABLE FOR MINIMUM PRESSURE BY MODEL NUMBER.
 MAXIMUM STATIC INLET PRESSURE: 14" W.C.
 FOR PRESSURES OTHER THAN LISTED, CONSULT FACTORY.
 Pressure shown is for standard UL gas train. Additional controls may increase pressure requirements.

VENTING REQUIREMENTS

-02" TO -.06" W.C. (NEGATIVE PRESSURE)

ENTIRE VENT SYSTEM SHOULD NEVER BE SIZED BASED UPON THE VENT CONNECTION DIAMETER EXCLUSIVELY. FOR PROPER SIZING, CONSULT THE NATIONAL FUEL GAS CODE UNDER "FAN-ASSISTED."

*** REAR ACCESS MODULE**

MODEL PREFIX	M	L	STD or OPTIONAL
750-1500	23"	8"	OPTIONAL
2000-2500	23"	16"	STANDARD

STANDARD ELECTRICAL REQUIREMENTS

CONTROL VOLTAGE: 120V, 1Ø, 60 HZ., 2 AMPS.
 MOTOR VOLTAGE:
 208V, 230V, AND 460V MOTORS ARE AVAILABLE BUT WILL REQUIRE A SEPARATE 120V/2 amps CONTROL CIRCUIT OR AN OPTIONAL CONTROL CIRCUIT TRANSFORMER.

PVI RESERVES THE RIGHT TO CHANGE THE DESIGN AND SPECIFICATION WITHOUT NOTICE.

Free Manuals Download Website

<http://myh66.com>

<http://usermanuals.us>

<http://www.somanuals.com>

<http://www.4manuals.cc>

<http://www.manual-lib.com>

<http://www.404manual.com>

<http://www.luxmanual.com>

<http://aubethermostatmanual.com>

Golf course search by state

<http://golfingnear.com>

Email search by domain

<http://emailbydomain.com>

Auto manuals search

<http://auto.somanuals.com>

TV manuals search

<http://tv.somanuals.com>